



10x12 BRINDLEWOOD GAZEBO

Model # 2106512

Owner's Manual & Assembly Instructions

MANUFACTURED BY:
Backyard Discovery
3305 Airport Drive
Pittsburg, KS 66762
800-856-4445



GOCONFIGURE
Putting it all together for you

INSTALLATION SERVICES AVAILABLE!*

Need a helping hand?
Let our team of professionals handle the installation for you!

GOCONFIGURE
888-888-5424

*Installation services are only available to U.S. customers.

average 2 person assembly time

INTERMEDIATE

10

HOURS

assembly time may vary based on skill level

Before you begin

FOR QUICK & EASY ASSEMBLY

FIND 3D INSTRUCTIONS FOR THIS PRODUCT IN

BILT.

DOWNLOAD THE FREE APP

GET IT ON Google Play

Download on the App Store

For the most up to date assembly manual, to register your set, or to order replacement parts please visit www.backyarddiscovery.com

SAVE THIS ASSEMBLY MANUAL FOR FUTURE REFERENCE IN THE EVENT THAT YOU NEED TO ORDER REPLACEMENT PARTS.

Para obtener instrucciones en español, visite www.backyarddiscovery.com



GOCONFIGURE
Putting it all together for you

INSTALLATION SERVICES AVAILABLE!*

Need a helping hand?

Let our team of professionals handle the installation for you!

GOCONFIGURE
888-888-5424

**Installation services are only available
to U.S. customers.*

With Go Configure, we bring you 18 years of experience right to your doorstep. We service a wide array of indoor and outdoor recreation products that most consumers don't have the time or ability to deliver & install themselves.

We do the heavy lifting, so you don't have to!

-
- 18+ Years of Experience Servicing Big Box Retailers and Direct Consumers
 - Highly Skilled, Specialized, Courteous, Professional Service Technicians
 - Over 140,000 Installations Annually
 - White Glove Service

- Satisfaction Guarantee
 - Flexible Appointments, including weekends
 - Coverage across the nation
- Visit www.goconfigure.com for more info!**
-

**Installation services are only available to U.S. customers.*



The store where you made your purchase does not stock parts for this item. If you have assembly questions or you are missing or have damaged parts, please call

1-800-856-4445

you can also visit www.backyarddiscovery.com
or e-mail customerservice@backyarddiscovery.com

Please have the following information ready when you make your call:

- Model Number of the product located on the front of the assembly manual
 - The item description and number from the parts list from the manual that was included in your box
-
- Read entire assembly manual, paying special attention to the important tips and safety information.
 - To ensure there are no missing pieces do a complete inventory by first separating and identifying all parts.
 - Make sure to check packing material for small parts that may have fallen out during shipment.
 - Structures are not intended for public use. The Company does not warranty any of its residential structures subjected to commercial use.
 - This manual contains helpful information concerning assembly preparation, installation procedure and required maintenance.
 - Always keep safety in mind as your structure is being built.
 - Keep these instructions for future reference.



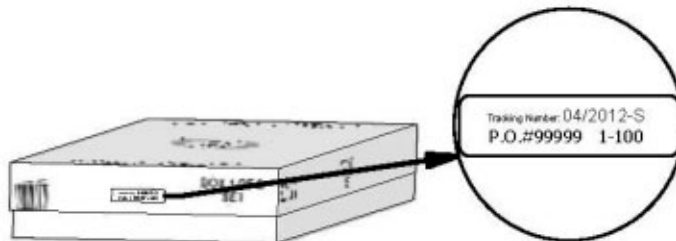
Please read entire booklet completely before beginning the assembly process

Please retain these instructions and your receipt for future reference. Keep them in a safe place where you can refer to them as needed. In order to provide you with the most efficient service, it is required that you provide us with the part numbers when ordering parts.

For Your Records:

Please take time and fill out the information below. This information will be needed for warranty issues.

Where Purchased: _____
 Date of Purchase: _____
 Installation Date: _____
 Installed by: _____
 Tracking Number: _____



Tracking Number Reference Label

Tracking ID number on the carton and on the bottom of the vertical ID plate are included for tracking purposes associated with warranty claims.

This Limited Warranty by Backyard Discovery applies to products manufactured under the Backyard Discovery brand or its other brands including but not limited to Backyard Botanical, Adventure Playsets, and Leisure Time Products.

Backyard Discovery warrants that this product is free from defect in materials and workmanship for a period of one (1) year from the original date of purchase. This one (1) year warranty covers all parts including wood, hardware, and accessories. All wood carries a five (5) year pro-rated warranty against rot and decay. Refer to the schedule below for charges associated with replacement of parts under this Limited Warranty. In addition, Backyard Discovery will replace any parts within the first 30 days from date of purchase found to be missing from or damaged in the original packaging.

This warranty applies to the original owner and registrant and is non-transferable. Regular maintenance is required to assure maximum life and performance of this product. Failure by the owner to maintain the product according to the maintenance requirements may void this warranty. Maintenance guidelines are provided in the Owner's Manual.

This Limited Warranty does not cover:

- Labor for any inspection
- Labor for replacement of any defective item(s)
- Incidental or consequential damages
- Cosmetic defects which do not affect performance or integrity of a part or the entire product
- Vandalism, improper use, failure due to loading or use beyond the capacities stated in the applicable Assembly Manual.
- Acts of nature including but not limited to wind, storms, hail, floods, excessive water exposure
- Improper installation including but not limited to installation on uneven, unlevel, or soft ground
- Minor twisting, warping, checking, or any other natural occurring properties of wood that do not affect performance or integrity

Backyard Discovery products have been designed for safety and quality. Any modifications made to the original product could damage the structural integrity of the unit leading to failure and possible injury. Modification voids any and all warranties and Backyard Discovery assumes no liability for any modified products or consequences resulting from failure of a modified product.

This product is warranted for RESIDENTIAL USE ONLY. Under no circumstance should a Backyard Discovery product be used in public settings. Such use may lead to product failure and potential injury. Any and all public use will void this warranty. Backyard Discovery disclaims all other representations and warranties of any kind, express or implied.

Pro Rated Part Replacement Schedule

<u>Product Age</u>	<u>Customer Pays</u>
All Parts	
0-30 days from date of purchase	\$0 and free shipping
31 days to 1 year	\$0 + S&H
Wood Rot and Decay Only	
1 year	\$0 and free shipping
2 year	20% + S&H
3 year	40% + S&H
4 year	60% + S&H
5 year	80% + S&H
Over 5 years	100% + S&H



WARNING

IT IS IMPORTANT TO CHECK AND TIGHTEN ALL HARDWARE AT THE BEGINNING AND DURING THE SEASON AS THEY MAY LOOSEN DUE TO WOOD EXPANSION AND CONTRACTION.

- **DO NOT climb or walk on the roof for any reason**
- **Requires two or more people to assemble safely**
- **Check for underground utilities before digging or driving stakes into the ground.**
- **Check carefully for overhead lines and ensure there is at least 6ft (2m) clearance from any overhead electrical wires.**
- **Permanent structures may require a building permit. As the purchaser and or installer of this product you are advised to consult local planning, zoning and building inspection departments for guidance on applicable building codes and/or zoning requirements.**
- Wood is NOT flame retardant and will burn. Grills, fire pits and chimineas are a fire hazard if place too close to your structure.
- Wear gloves to avoid injury during installation.
- During installation, follow all safety warnings provided with your tools and use safety glasses.
- Check all nuts and bolts twice monthly during the usage season and tighten as required.(But not so tight that you crack the wood) It is particularly important that this procedure be followed at the beginning of each season.
- Oil all metallic moving parts monthly during the usage period.
- Check all coverings for bolts and sharp edges twice monthly during usage season to be certain they are in place. Replace when necessary. It is especially important to do this at the beginning of each new season.
- For rusted areas on metallic members such as hinges, brackets, etc. sand and repaint, using a non lead-based paint meeting the requirements of Title 16 CRF Part 1303.
- Inspect wood parts monthly. The grain of the wood sometimes will lift in the dry season causing splinters to appear. Light sanding may be necessary to maintain a safe environment. Treating your Product with protection (sealant) after sanding will help prevent severe checking/splitting and other weather damage.
- We have applied a waterborne translucent stain to your unit. This is done for color only. Once or twice a year, depending on your climate conditions, you must apply some type of protection (sealant) to the wood of your unit. Prior to the application of sealant, lightly sand any "rough" spots on your set. Please note this is a requirement of your warranty.

OWNERS SHALL BE RESPONSIBLE FOR MAINTAINING THE LEGIBILITY OF THE WARNING LABELS



Your Backyard Discovery structure is designed and constructed of quality materials. As with all outdoor products it will weather and wear. To maximize the enjoyment, safety and life of your structure it is important that you properly maintain it.

About Our Wood

Backyard Discovery uses 100% Cedar (C. Lanceolata) wood. Although we take great care in selecting the best quality lumber available, wood is still a product of nature and susceptible to weathering which can change the appearance of your set.

What causes weathering? Does it affect the strength of my product?

One of the main reasons for weathering is the effects of water (moisture); the moisture content of the wood at the surface is different than the interior of the wood. As the climate changes, moisture moves in or out of the wood, causing tension which can result in checking and or warping. You can expect the following due to weathering. These changes will not affect the strength of the product:

1. Checking is surface cracks in the wood along the grain. A post (4" x 4") will experience more checking than a board (1" x 4") because the surface and interior moisture content will vary more widely than in thinner wood.

2. Warping results from any distortion (twisting, cupping) from the original plane of the board and often happens from rapid wetting and drying of the wood.

3. Fading happens as a natural change in the wood color as it is exposed to sun-light and will turn grey over time.

How can I reduce the amount of weathering to wood product?

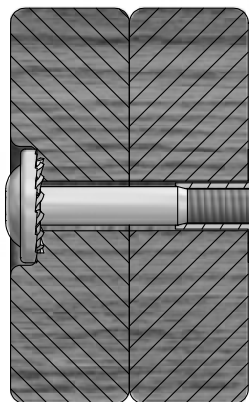
1. Your wood product is coated with a water-based stain. Sunlight will break down the coating, so we recommend applying a water repellent or stain on a yearly basis (see your local stain and paint supplier for a recommended product). You must apply some type of protection (sealant) to the wood of your product. **Please note this is a requirement of your warranty.** Most weathering is just the normal result of nature and will not affect safety. However if you are concerned that a part has experienced a severe weathering problem please call our customer service department for further assistance.

2. Inspect wood parts monthly. The grain of the wood sometimes will lift in the dry season causing splinters to appear. Light sanding may be necessary to maintain a safe environment. Treating your Product with protection (sealant) after sanding will help prevent severe checking/ splitting and other weather damage.



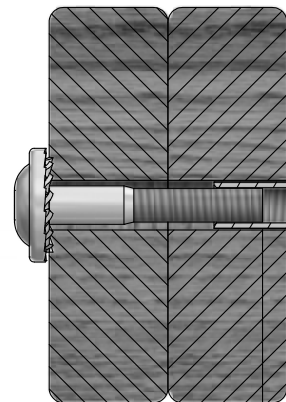
Protrusion Hazard

Incorrect



If you see exposed threads and your bolt protrudes beyond the T-Nut you may have overtightened the bolt or used incorrect hardware. If you've overtightened, remove the bolt and add washers to eliminate the protrusion.

Correct

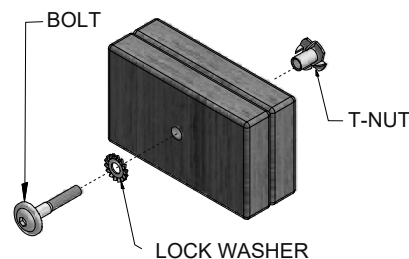


1/8"

Proper Hardware Assembly

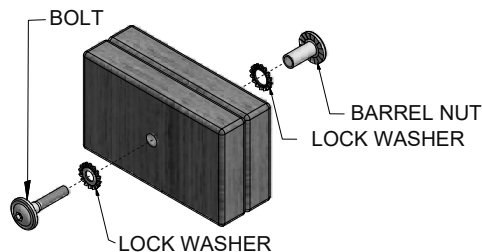
Bolt and T-Nut Assembly

Tap T-nut into the provided hole. Insert your bolt through the lock washer and insert into the provided hole opposite from the T-Nut. Turn clockwise to thread into T-nut. Do not completely tighten until instructed.



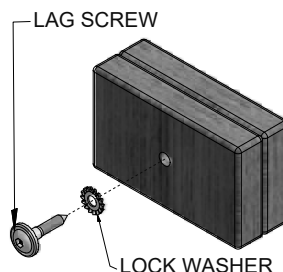
Bolt and Barrel Nut Assembly

Insert barrel nut through the lock washer and press the pair through the provided hole. Insert your bolt through the second lock washer and insert the pair into the provided hole opposite from the barrel nut. Turn clockwise to thread into the barrel nut. Do not completely tighten until instructed.



Lag Assembly

Normally there will be a pre-drilled pilot hole on assemblies that require a Lag Screw. If there is no pilot hole, line up the two boards as they are to be attached and use the factory drilled hole as a guide to drill another pilot hole into the adjoining board. This will keep the wood from splitting. Only a lock washer is required for steps with Lag Screws.

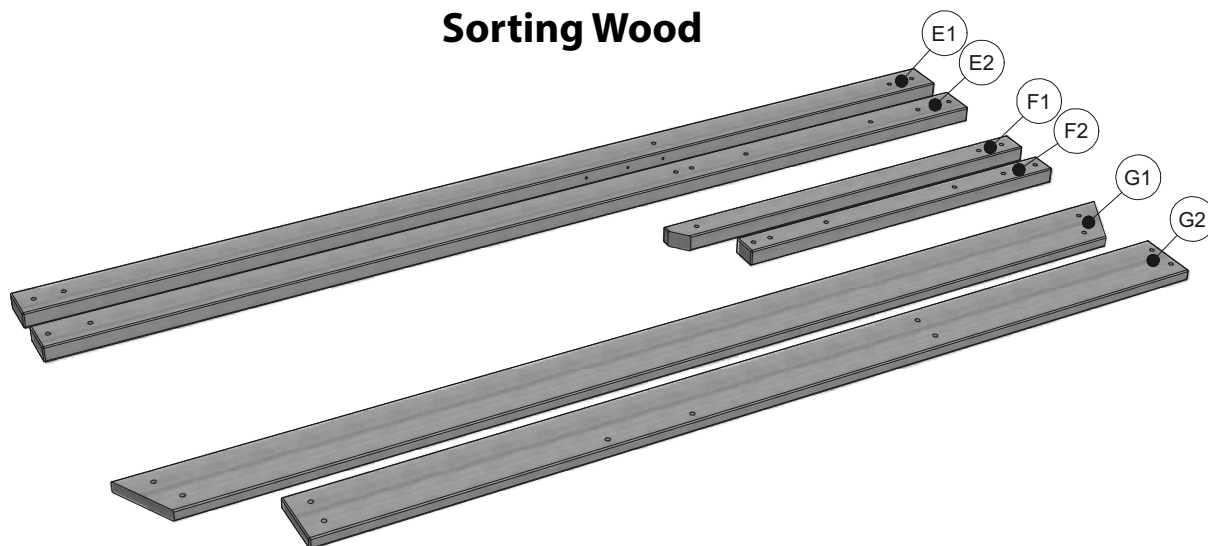




ASSEMBLY TIP:

Keep an eye out for these boxes which will contain helpful pictures and information making the assembly process as quick and painless as possible.

Sorting Wood



When removing the wood from the boxes we recommend arranging them by part number before you begin assembly. This will allow for faster assembly and easily identify any parts that may be missing or damaged.

Sorting Hardware

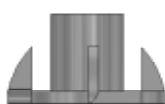
NUT BARREL
H100545



SCREW
H100695



T-NUT
H100699



WASHER FLAT
H100706



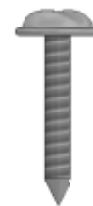
BOLT HEX
H100716



BOLT
H100718



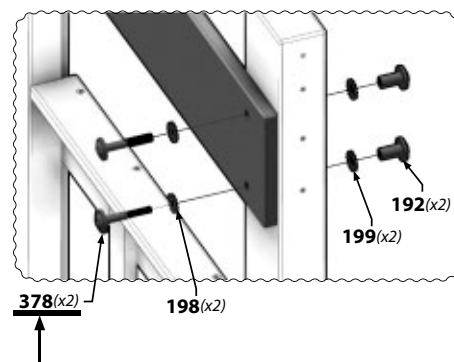
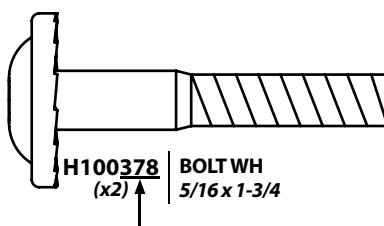
SCREW PWH
H100742

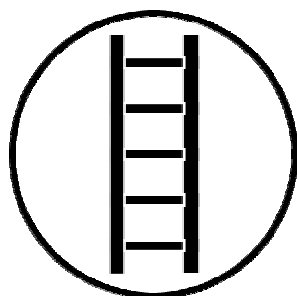
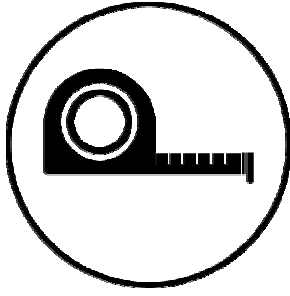
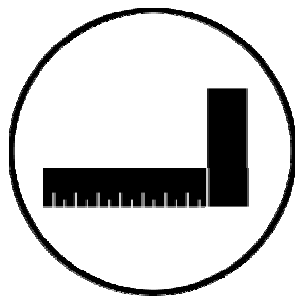
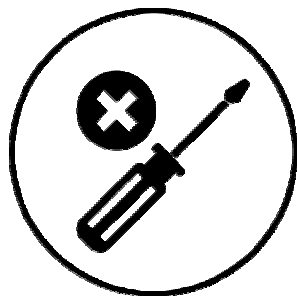
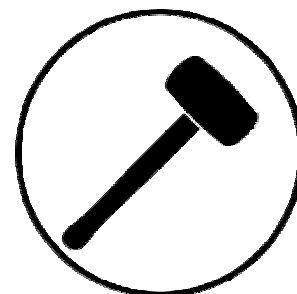
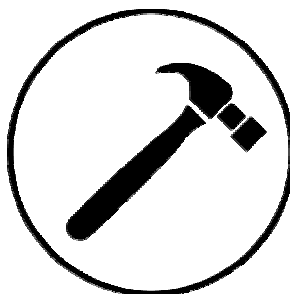
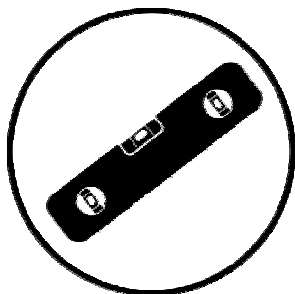
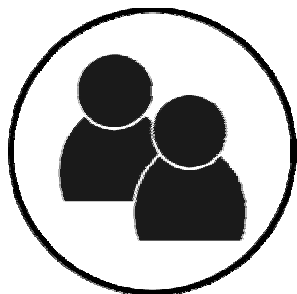


To help with assembly we recommend sorting your hardware bags with the seven digit alpha-numeric number printed on the bags or by hardware type (i.e. bolts, nuts, etc.). Organizing your hardware will make assembly easier.

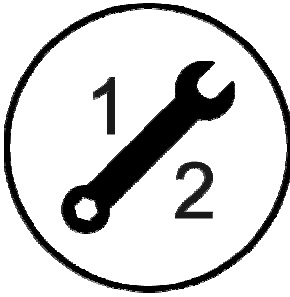
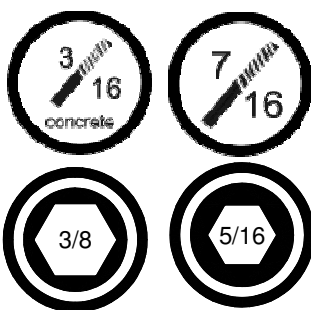
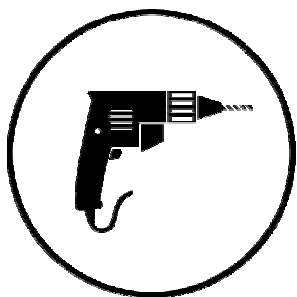
Hardware Identification

Hardware bags are printed with a seven digit alpha-numeric part number. During assembly you only need to reference the last three digits of the part number as noted in each step. This will make finding the correct hardware easier.





(2 NEEDED)



Icons and their uses you will see throughout this manual



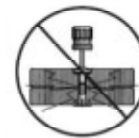
You will need to make sure that your assembly is square before tightening your bolts.



When you see this icon you will need a socket wrench. The icons below show the size of attachments needed for assembly 1/2.



For proper assembly you will need to ensure that your structure is level before proceeding to the next step.



This icon warns you to not over tighten your bolts. This is to prevent structural damage and also splintering your wood.



Some steps in the assembly process will require an extra set of hands. Make sure you have a helper available.



A ladder will be needed for assembly. Do NOT stand on the set when it is incomplete, unstable, and not anchored. Failure to do so may result in injury.



This icon shows the size of an open ended wrench. Using the wrench as the fraction bar.



This icon will show you what drill attachments are needed. For this example you will need a Phillips head attachment and 3/8 drill bit.





It is critically important that you start with square and level footings, concrete pad or deck to attach your structure

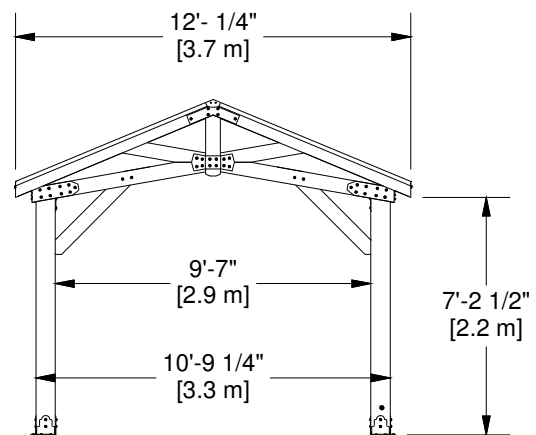
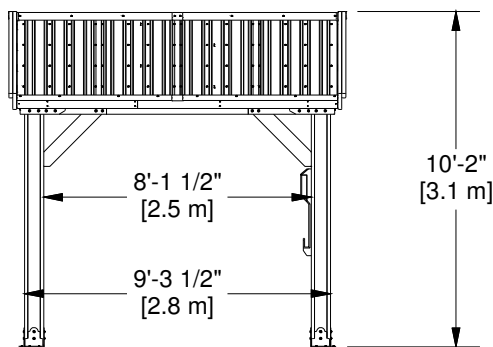
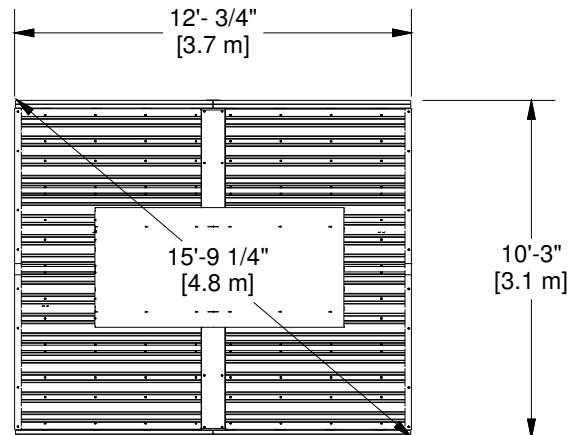
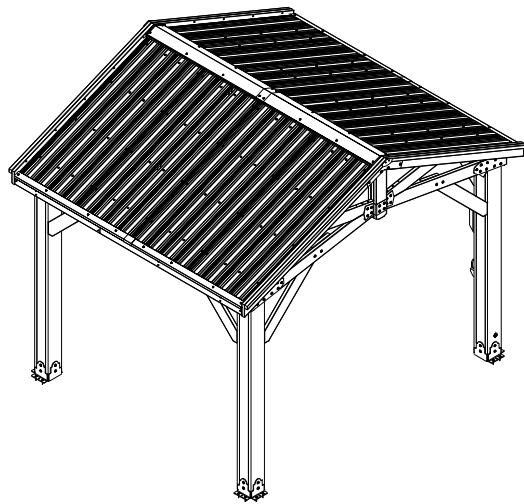
- Pay close attention to the items needed for each step. Make sure you are using the correct hardware for each step. Using incorrect hardware may result in improper assembly
- Remember to double check for underground utilities and overhead electrical lines

Post mounts are provided with your structure which allows you to permanently install your structure to a pre-existing or new wood or concrete surface.

- The hardware to attach the post mounts to the structure is included.
- The hardware to mount the structure permanently to a concrete surface is included.
- The hardware to mount the structure permanently to a wood deck is NOT included and will need to be purchased separately. **You must ensure there is ample structural support under the deck before permanently attaching.**

Metal Roof Assembly

Remove plastic covering from metal roof panels before installing each piece. Place roofing materials on a nonabrasive, flat surface before and after assembly as it could bend, dent or scratch

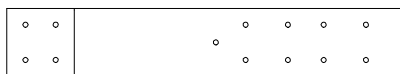




Wood Components (Not to Scale)



D1 | GABLE BOARD - W4L13344
(x4) | 1 3/8"x5 1/4"x24 1/4" (36x134x615)



D2 | TOP RAIL - W4L13805
(x4) | 1 3/8" x 5 1/4" x 31 3/8" (36 x 134 x 796)



D3 | TOP RAIL - W4L13347
(x2) | 1 3/8"x5 1/4"x62 1/4" (36x134x1582)



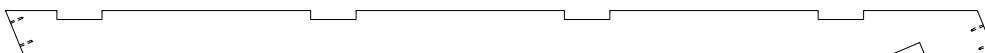
D4 | CORBEL - W4L13804
(x4) | 1 3/8"x5 1/4"x35 7/8" (36x134x910)



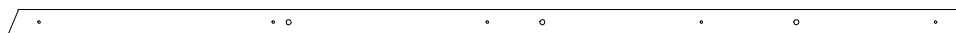
D5 | GABLE BOARD - W4L13349
(x2) | 1 3/8"x1 1/2"x5 1/4" (36x38x134)



D6 | CORBEL - W4L13803
(x4) | 1 3/8"x5 1/4"x46 1/2" (36x134x1180)



E1 | RAFTER - W4L13340
(x8) | 1 3/8"x3 3/8"x77 3/8" (36x86x1965)



E2 | TRUSS - W4L13836
(x4) | 1 7/16" x 1 15/16" x 74 15/16" (36 x 50 x 1903)



E3 | SHEATHING BOARD - W4L13341
(x8) | 1 3/8"x3 3/8"x73 1/4" (36x86x1861)



E4 | SHEATHING BOARD - W4L13342
(x8) | 1 3/8"x3 3/8"x45 3/4" (36x86x1161)



H2 | FASCIA - W4L13339
(x2) | 1"x3 3/8"x74 5/8" (24x86x1896)



H3 | FASCIA - W4L13345
(x2) | 1"x3 3/8"x44" (24x86x1118)



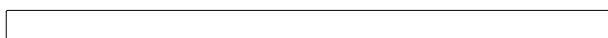
H4 | RAFTER - W4L13806
(x2) | 1"x3 3/8"x39 3/4" (24x86x1011)



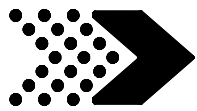
H5 | RAFTER - W4L13807
(x2) | 1"x3 3/8"x70 1/2" (24x86x1789)



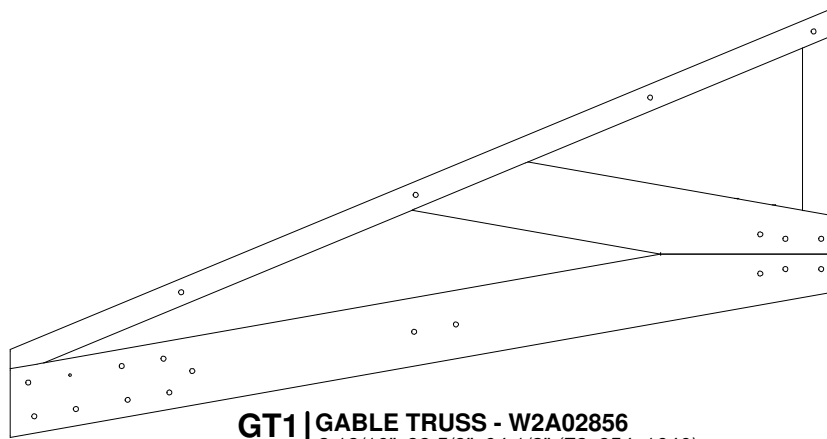
J10 | RIDGE CAP STIFFENER - W4L13591
(2) | 1"x2 3/8"x69 1/4" (24x60x1760)



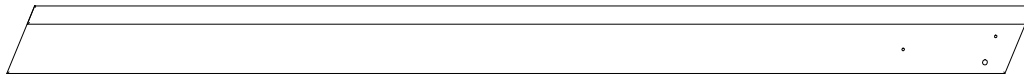
J9 | RIDGE CAP STIFFENER - W4L13590
(2) | 1"x2 3/8"x47 5/8" (24x60x1210)



Wood Components (Not to Scale)



GT1 | GABLE TRUSS - W2A02856
(x4) | 2 13/16"x33 5/8"x64 1/2" (72x854x1640)



GP1 | GABLE PANEL - W2A02847
(x2) | 2 13/16"x5 1/4"x80 3/16" (72x134x2037)



GP2 | GABLE PANEL - W2A02848
(x2) | 2 13/16"x5 1/4"x80 3/16" (72x134x2037)



P1 | POST - W2A02854
(x2) | 7"x7"x92 1/16" (178x178x2274)



P2 | POST - W2A02855
(x2) | 7"x7"x92 1/16" (178x178x2274)



Hardware Components



H100468 | BOLT WH BLK
(x22) | 5/16x1



H100564 | LAG SCREW WH BLK
(x13) | 1/4x4



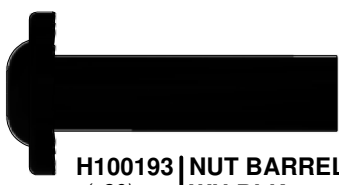
H100459 | BOLT WH BLK
(x54) | 5/16x1 1/4



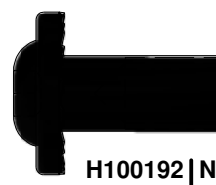
H100792 | LAG SCREW WH BLK
(x9) | 1/4x3



H100407 | BOLT WH BLK
(x3) | 5/16x1 1/2



H100193 | NUT BARREL
(x30) | WH BLK
5/16x1-1/2



H100192 | NUT BARREL
(x95) | WH BLK
5/16x7/8



H100378 | BOLT WH BLK
(x2) | 5/16x1 3/4



H100471 | LAG SCREW
(x50) | WH BLK
5/16x1 1/2



H100379 | T-NUT BLK
(x18) | 5/16



H100205 | BOLT WH BLK
(x26) | 5/16x2-1/4



H100512 | BOLT WH BLK
(x9) | 5/16x4



H100354 | BOLT WH BLK
(x4) | 5/16x6 1/2



H100963 | BOLT WH BLK
(x30) | 5/16x7-3/4



Hardware Components



H100201 | SCREW PFH BLK
(22) | 8x2-1/2



H100483 | SCREW PFH BLK
(x4) | 8x2 1/4



H100391 | SCREW PFH BLK
(x64) | 8x2



H100200 | SCREW PFH BLK
(x35) | 8x1 1/2



H100797 | SCREW PWH BLK
(x17) | 8x1



H100392 | SCREW PWH BLK
(x17) | 8x3/4



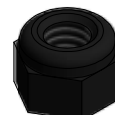
H100760 | SCREW WOODGRIP
(x132) | 10x1 1/4



H100833 | SCREW WOODGRIP
(x17) | 10x3/4



H100759 | SCREW TAPPING
(x17) | 1/4x3/4



H100479 | NUT LOCK BLK
(x4) | 5/16



H100199 | WASHER LOCK EXT BLK
(x63) | 12x19



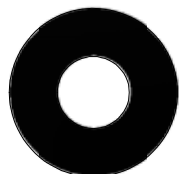
H100198 | WASHER LOCK EXT BLK
(x47) | 8x19



H100630 | WASHER FLAT BLK
(x17) | 8x19



H100405 | WASHER LOCK EXT BLK
(x22) | 6x15



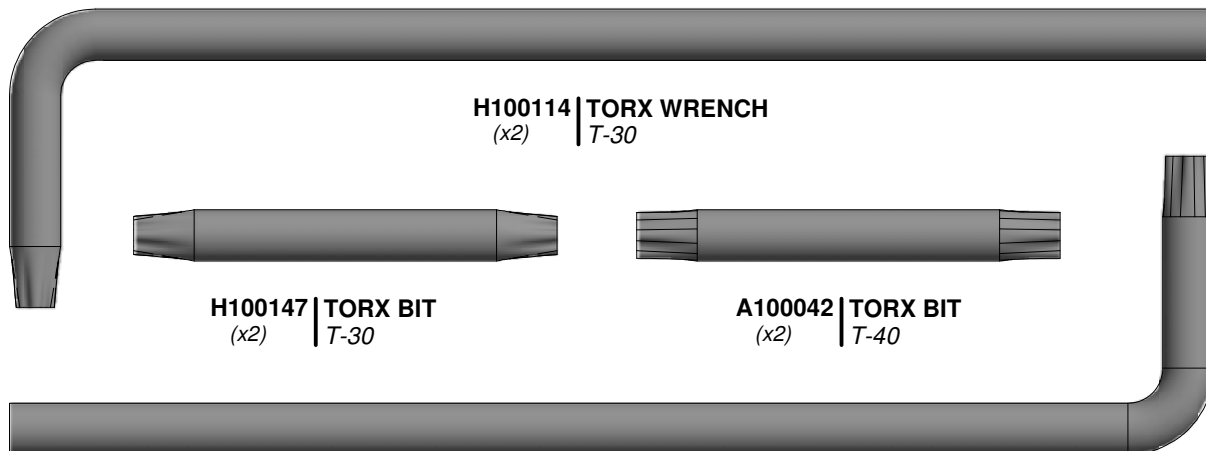
H100770 | WASHER FLAT BLK
(4) | 5/16



H100120 | SCREW CONCRETE ANCHOR
(x18) | 1/4x2



H100764 | SCREW SETTER
(x1)



H100114 | TORX WRENCH
(x2) | T-30

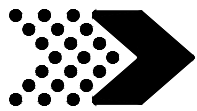


H100147 | TORX BIT
(x2) | T-30

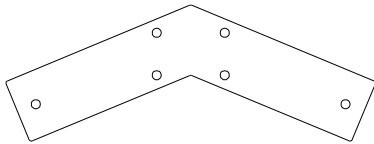


A100042 | TORX BIT
(x2) | T-40

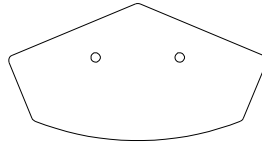
A100041 | TORX WRENCH
(x2) | T-40



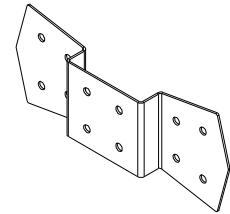
Accessory Components (Not to Scale)



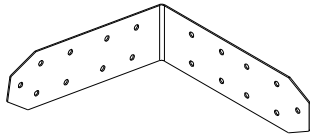
A4M01130 | GABLE BRACKET
(x2)



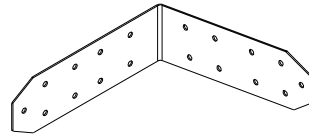
A4M01147 | PEAK SEAM BRACKET
(x2)



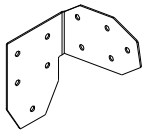
A4M01129 | GABLE BRACKET
(x4)



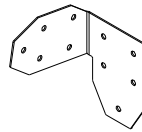
A4M01152 | LEFT OUTSIDE BRACKET
(x2)



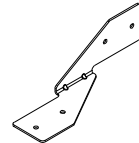
A4M01151 | RIGHT OUTSIDE BRACKET
(x2)



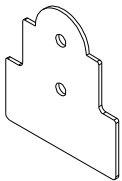
A4M01154 | RIGHT ANGLE BRACKET
(x2)



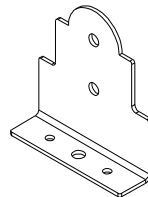
A4M01153 | LEFT ANGLE BRACKET
(x2)



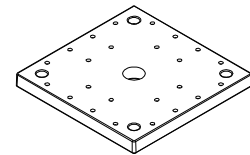
A4M01155 | TIE BRACKET
(x4)



A4M00950 | STEEL POST PLATE
(x8)



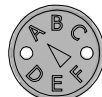
STEEL POST
A4M00949 | ANCHORING
(x8) | PLATE WITH
FLANGE



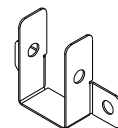
A6P00296 | 7x7 POST FOOT
(x4)



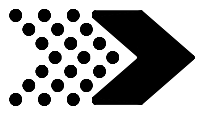
A100241 | BYD ID TAG
(x1) | (SMALL)
WITHOUT AGES



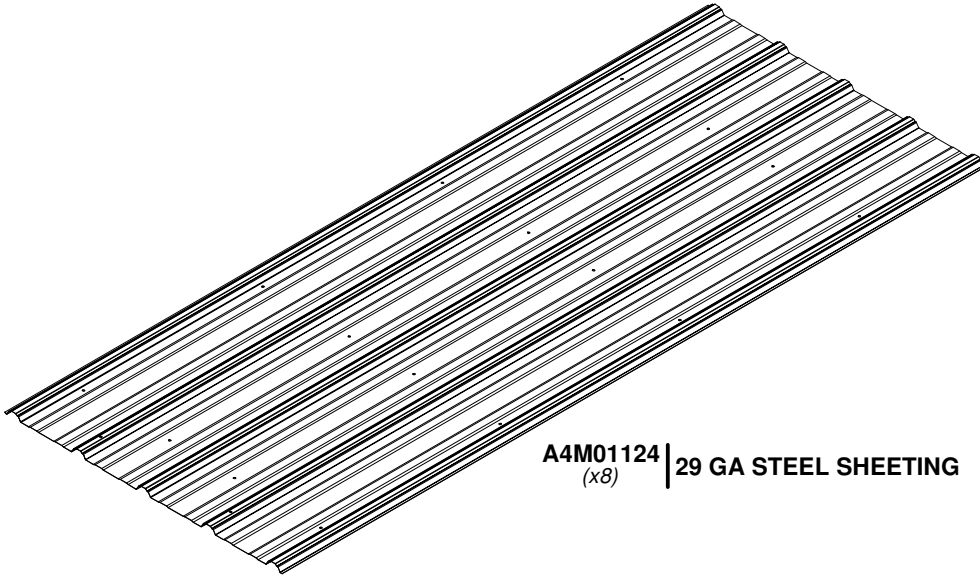
A100314 | "A" REVISION TAG
(x1)



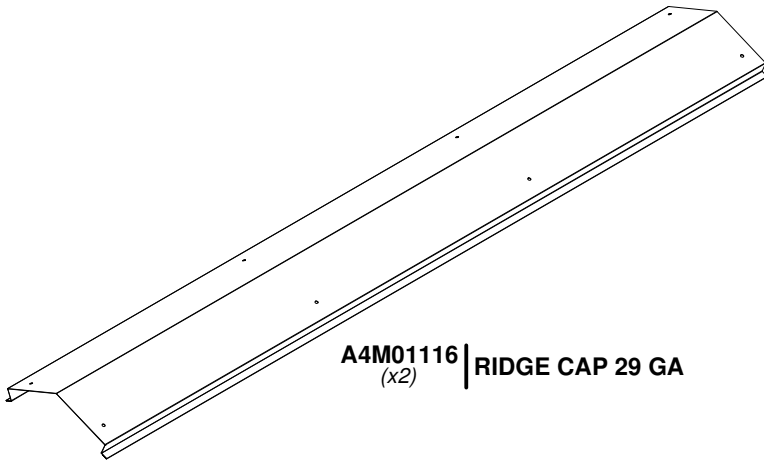
A4M01148 | TRUSS BRACKET
(x2)



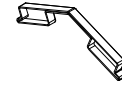
Accessory Components (Not to Scale)



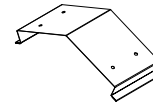
A4M01124 (x8) | 29 GA STEEL SHEETING



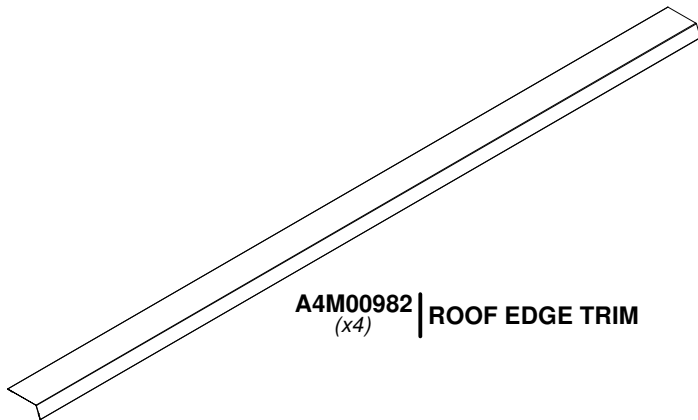
A4M01116 (x2) | RIDGE CAP 29 GA



A6P00398 (x2) | RIDGE CAP PROTECTOR



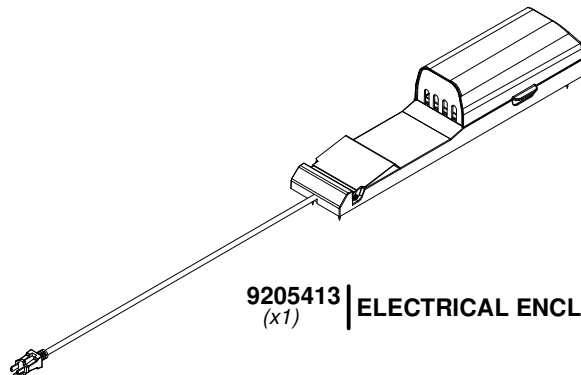
A4M01127 (x1) | RIDGE CAP SPLICE



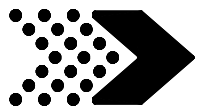
A4M00982 (x4) | ROOF EDGE TRIM



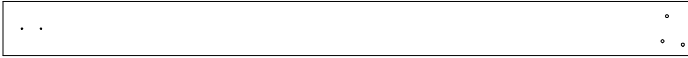
A4M00983 (x2) | ROOF EDGE TRIM SPLICE



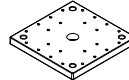
9205413 (x1) | ELECTRICAL ENCLOSURE



P1 | POST - W2A02854
(x2) | 6"x6"x92 1/16" (178x178x2274)



P2 | POST - W2A02855
(x2) | 6"x6"x92 1/16" (178x178x2274)



A6P00296 | 7x7 POST FOOT
(x4)



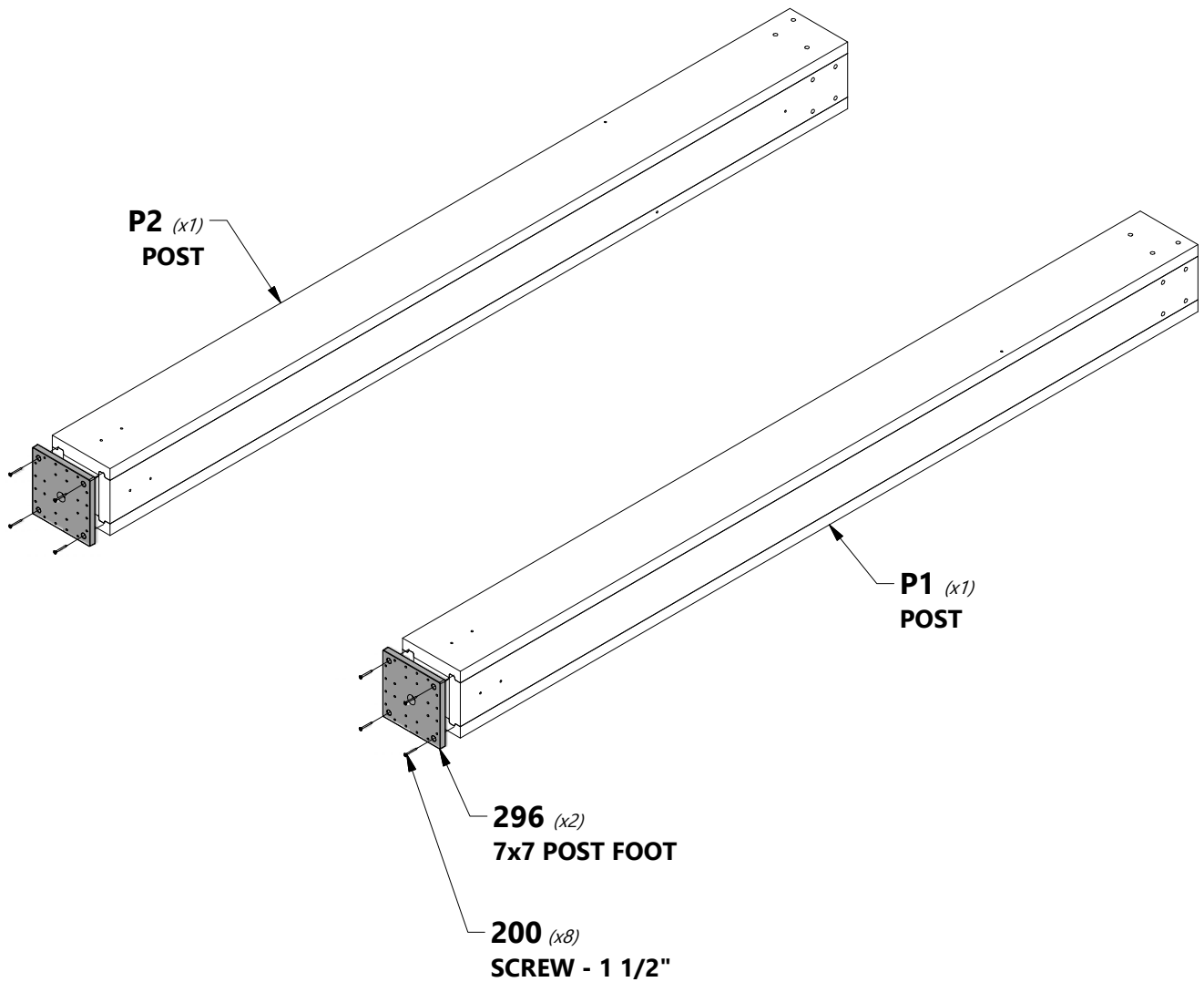
H100200 | SCREW PFH BLK
(x16) | 8x1 1/2

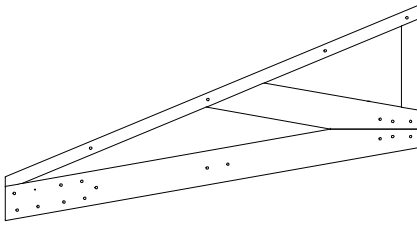
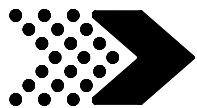
COMPLETE THIS STEP TWICE



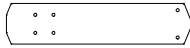
TIP:

FOR EASE OF ASSEMBLY WE RECOMMEND USING SAW HORSES FOR STEPS 1 THRU 6.





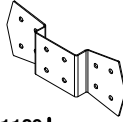
GT1 | GABLE TRUSS - W2A02856
(x4) | 2 13/16"x33 5/8"x64 1/2" (72x854x1640)



D1 | GABLE BOARD - W4L13344
(x4) | 1 3/8"x5 1/4"x24 1/4" (36x134x615)



D5 | GABLE BOARD - W4L13349
(x2) | 1 3/8"x1 1/2"x5 1/4" (36x38x134)



A4M01129 | GABLE BRACKET
(x4)



H100512 | BOLT WH BLK
(x8) | 5/16x4



H100459 | BOLT WH BLK
(x16) | 5/16x1 1/4



H100192 | NUT BARREL
WH BLK
(x24) | 5/16x7/8

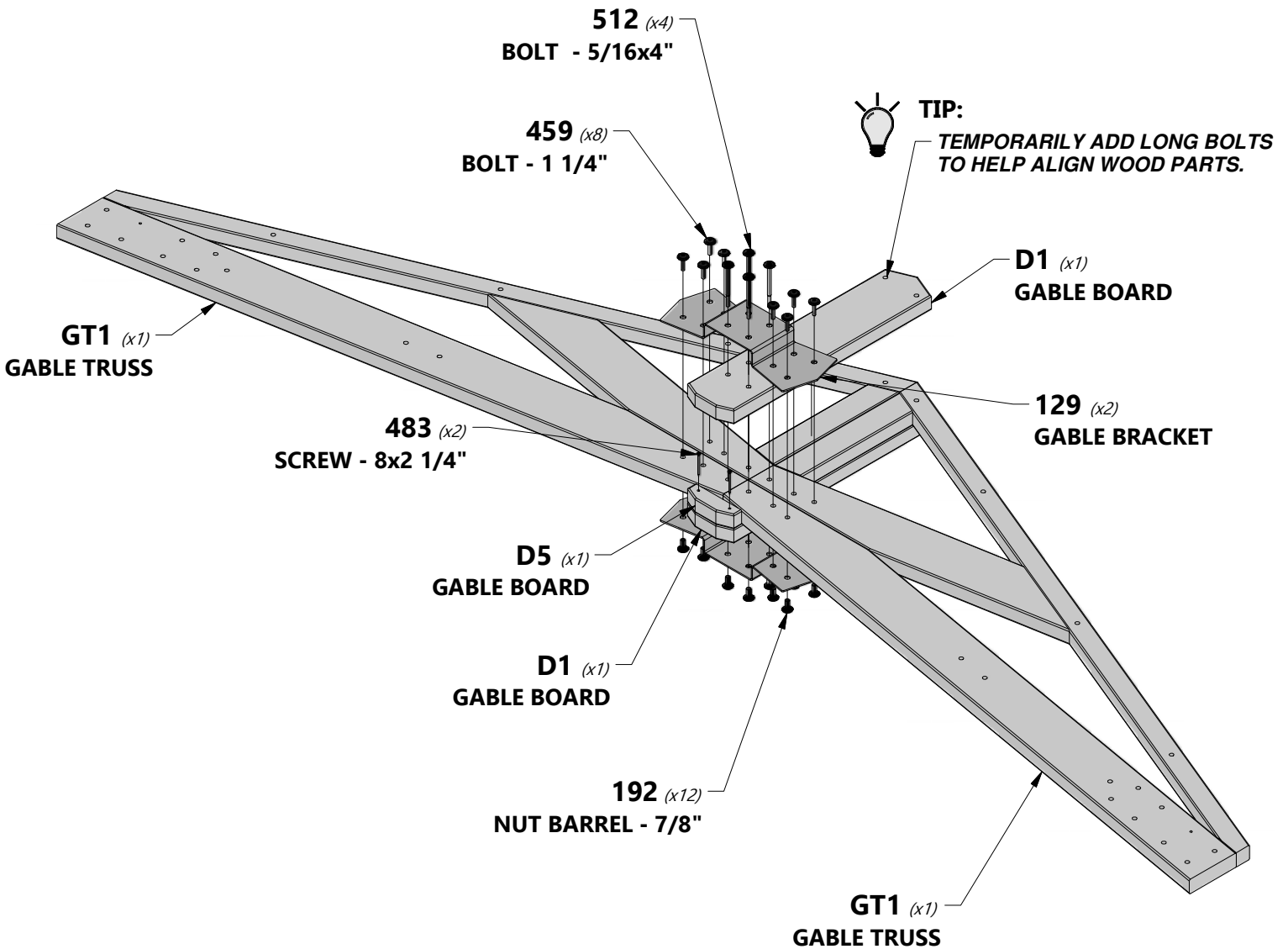


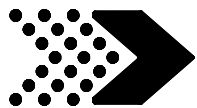
H100483 | SCREW PFH BLK
(x4) | 8x2 1/4



NOTE:
IF NEEDED FOR EASE OF ASSEMBLY, USE METAL BRACKET AS A GUIDE AND DRILL THRU USING A 7/16" - (10mm) DRILL BIT, THEN ASSEMBLE.

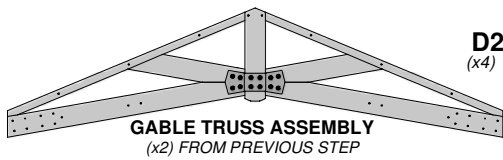
COMPLETE THIS STEP TWICE





GAZEBO ASSEMBLY

STEP 3 A

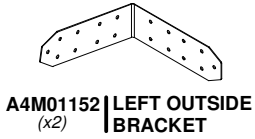


GABLE TRUSS ASSEMBLY
(x2) FROM PREVIOUS STEP

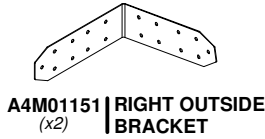
D2 | TOP RAIL - W4L13805
(x4) | 1 3/8" x 5 1/4" x 31 3/8" (36 x 134 x 796)

P1 | POST - W2A02854
(x2) | 6"x6"x92 1/16" (178x178x2274)

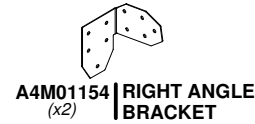
P2 | POST - W2A02855
(x2) | 6"x6"x92 1/16" (178x178x2274)



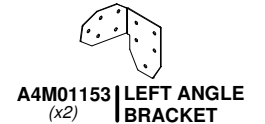
A4M01152 | LEFT OUTSIDE BRACKET
(x2)



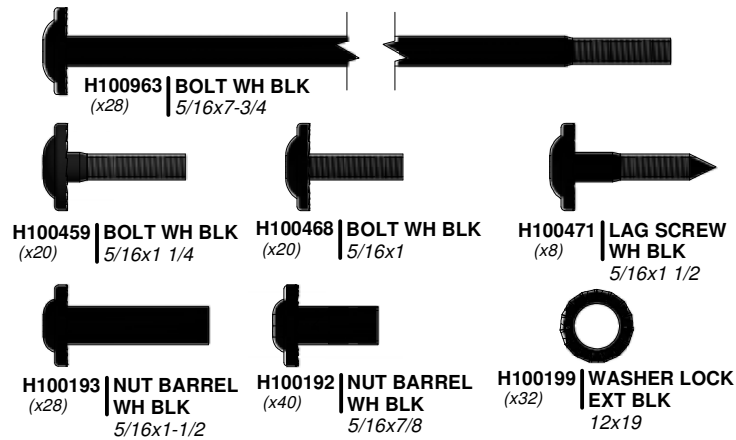
A4M01151 | RIGHT OUTSIDE BRACKET
(x2)



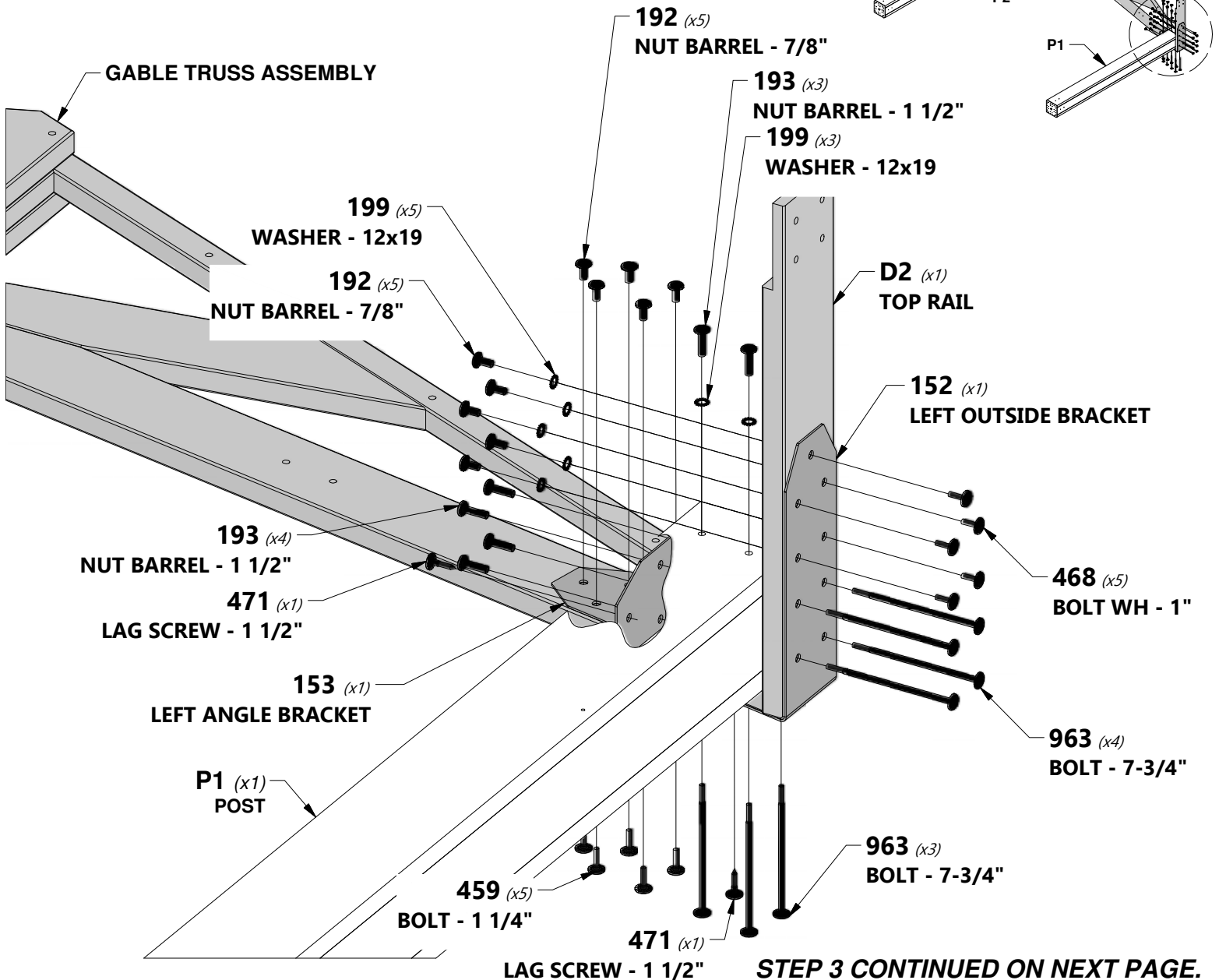
A4M01154 | RIGHT ANGLE BRACKET
(x2)



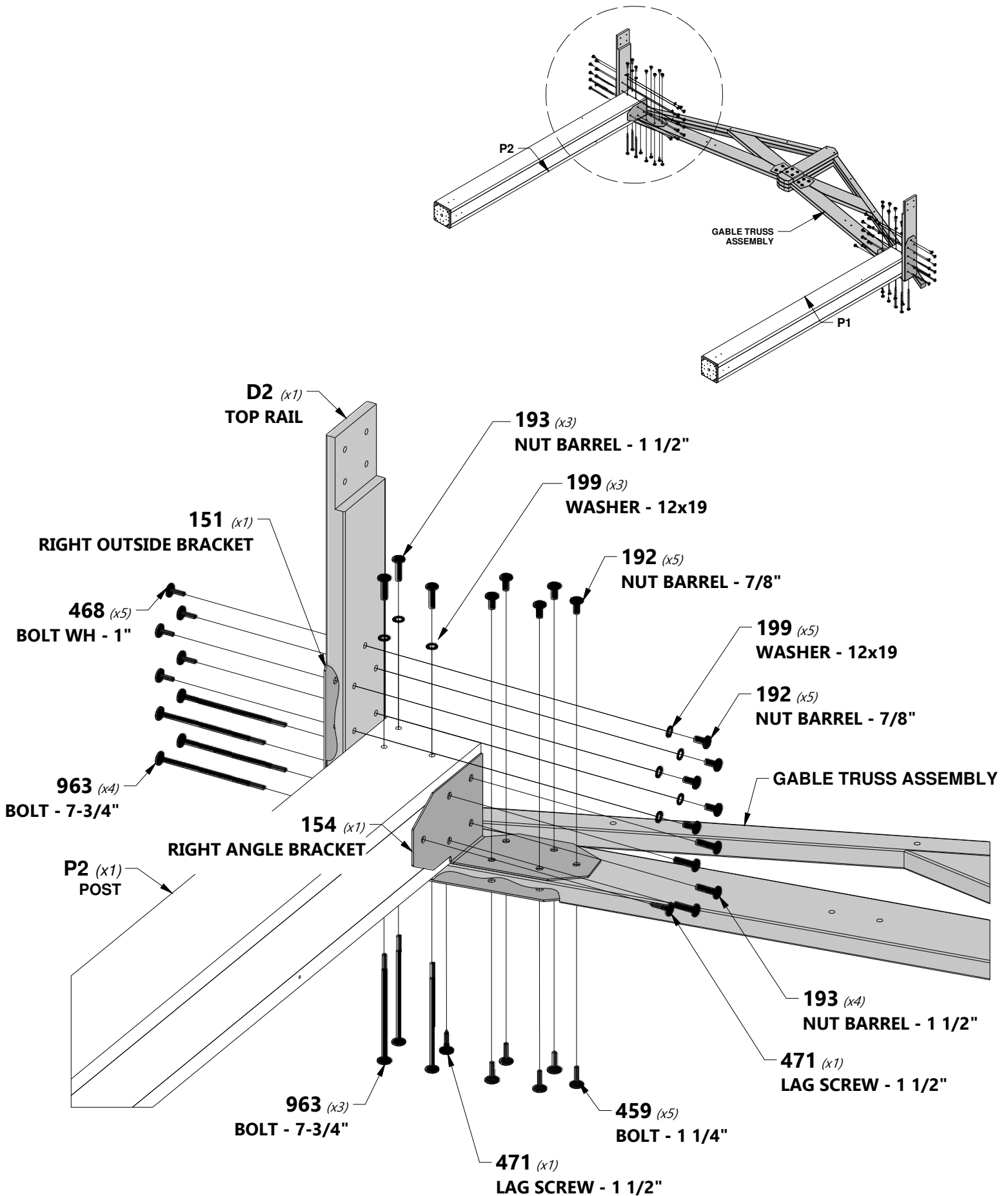
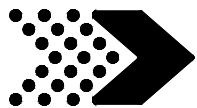
A4M01153 | LEFT ANGLE BRACKET
(x2)

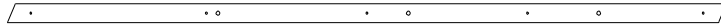


COMPLETE THIS STEP TWICE



LAG SCREW - 1 1/2" **STEP 3 CONTINUED ON NEXT PAGE.**



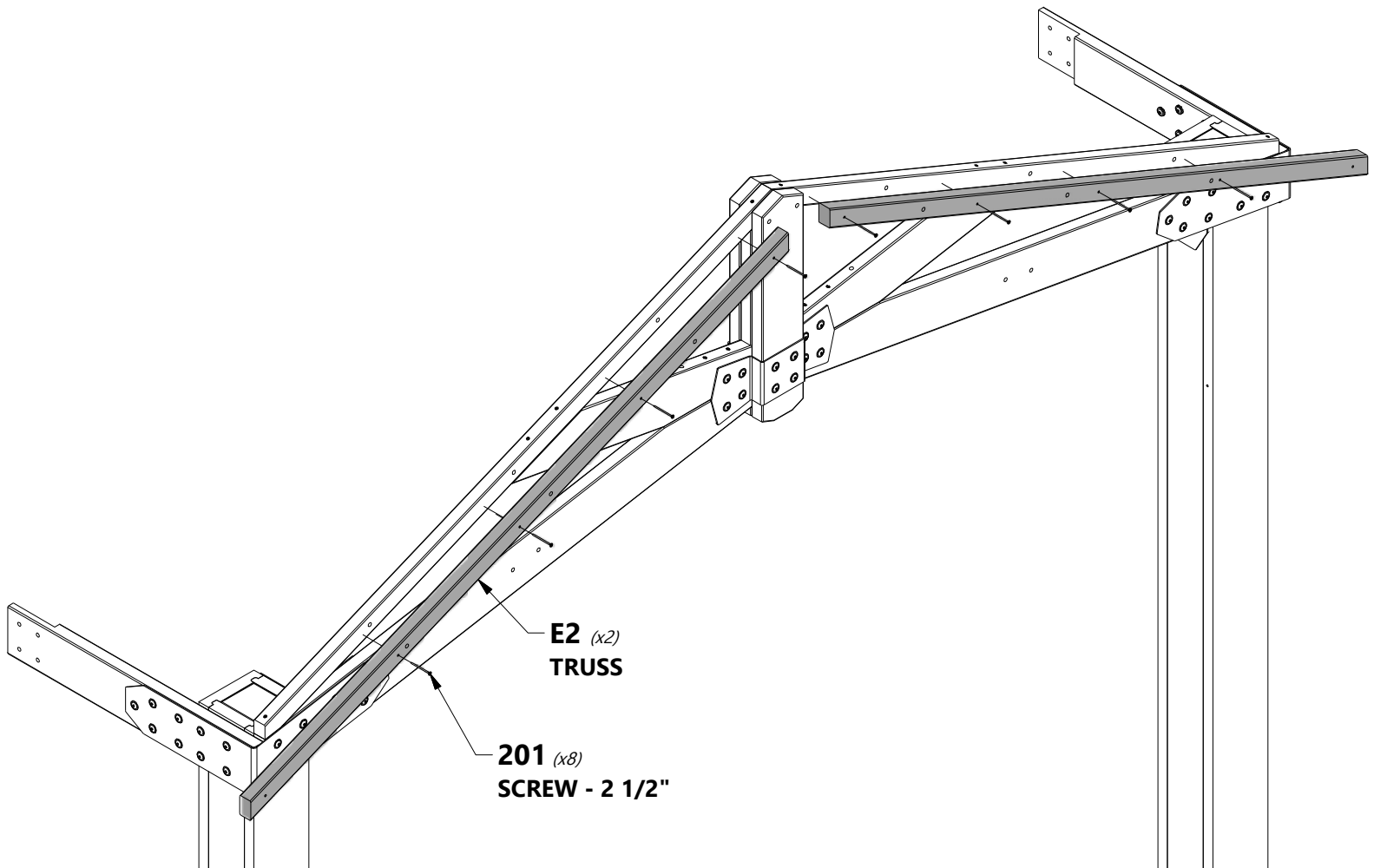
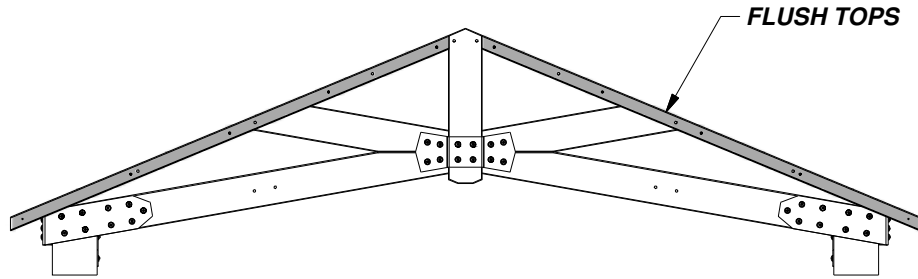


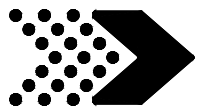
E2 TRUSS - W4L13836
(x4) 1 7/16" x 1 15/16" x 74 15/16" (36 x 50 x 1903)



H100201 SCREW PFH BLK
(16) 8x2-1/2

COMPLETE THIS STEP TWICE



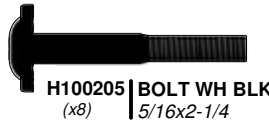


GAZEBO ASSEMBLY

STEP 5



D6 | CORBEL - W4L13803
(x4) | 1 3/8"x5 1/4"x46 1/2" (36x134x1180)



H100205 | BOLT WH BLK
(x8) | 5/16x2-1/4



H100792 | LAG SCREW WH BLK
(x4) | 1/4x3



H100405 | WASHER LOCK
(x4) | EXT BLK
6x15



H100192 | NUT BARREL
(x8) | WH BLK
5/16x7/8

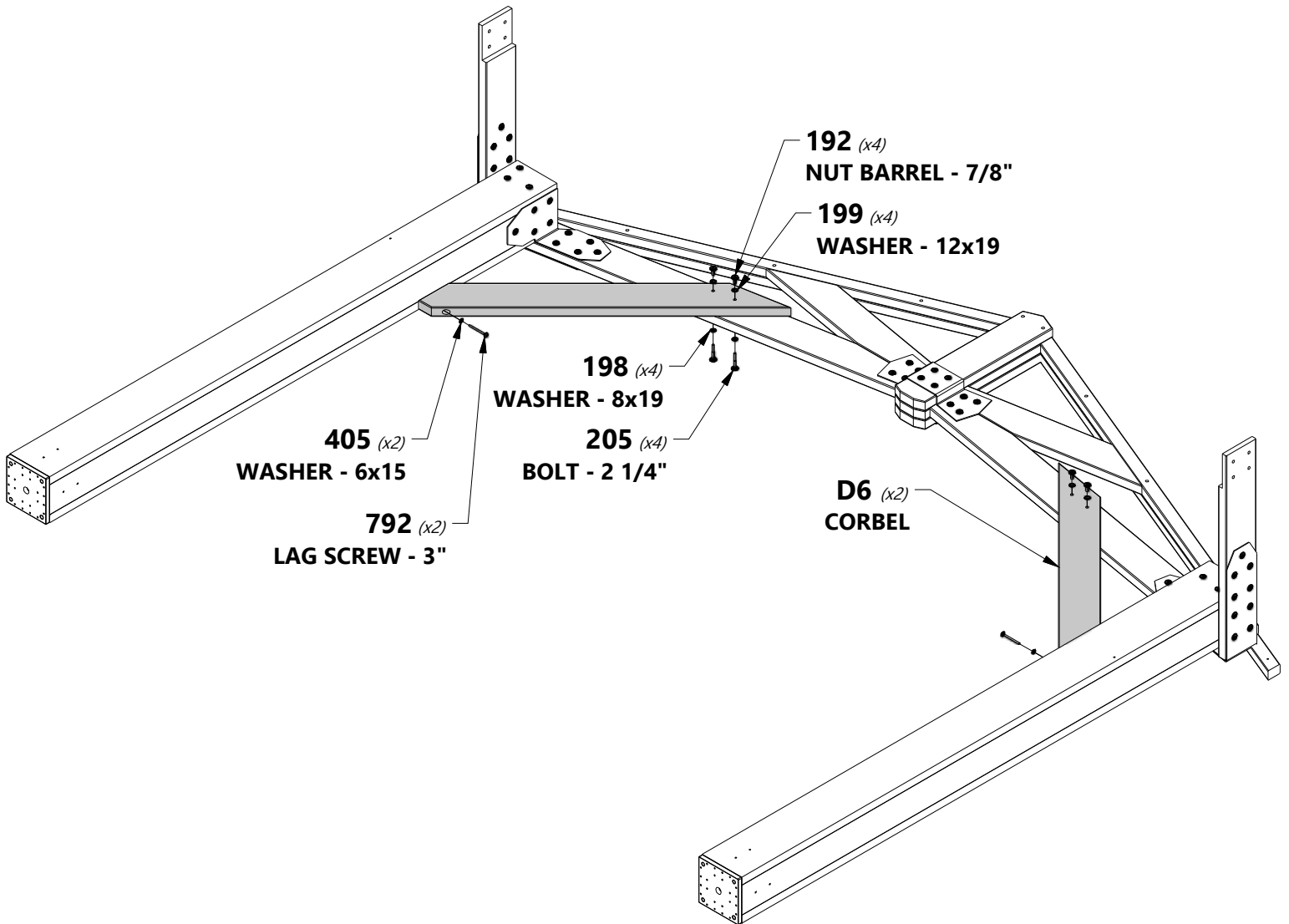


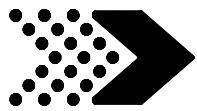
H100199 | WASHER LOCK
(x8) | EXT BLK
12x19



H100198 | WASHER LOCK
(x8) | EXT BLK
8x19

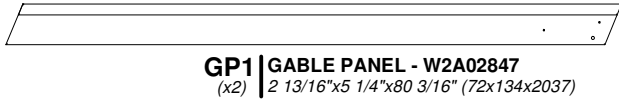
COMPLETE THIS STEP TWICE



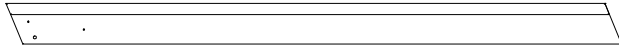


GAZEBO ASSEMBLY

STEP 6



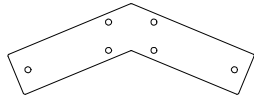
GP1 | GABLE PANEL - W2A02847
(x2) | 2 13/16"x5 1/4"x80 3/16" (72x134x2037)



GP2 | GABLE PANEL - W2A02848
(x2) | 2 13/16"x5 1/4"x80 3/16" (72x134x2037)



A4M01147 | PEAK SEAM BRACKET
(x2)



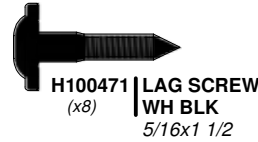
A4M01130 | GABLE BRACKET
(x2)



H100564 | LAG SCREW WH BLK
(x12) | 1/4x4



H100405 | WASHER LOCK EXT BLK
(x12) | 6x15

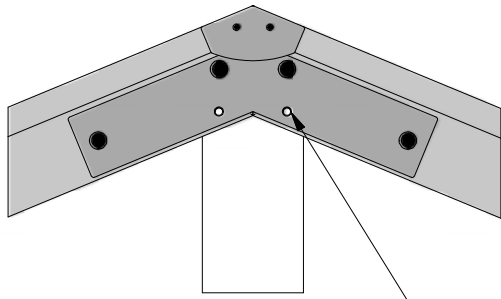


H100471 | LAG SCREW WH BLK
(x8) | 5/16x1 1/2



H100200 | SCREW PFH BLK
(x4) | 8x1 1/2

COMPLETE THIS STEP TWICE



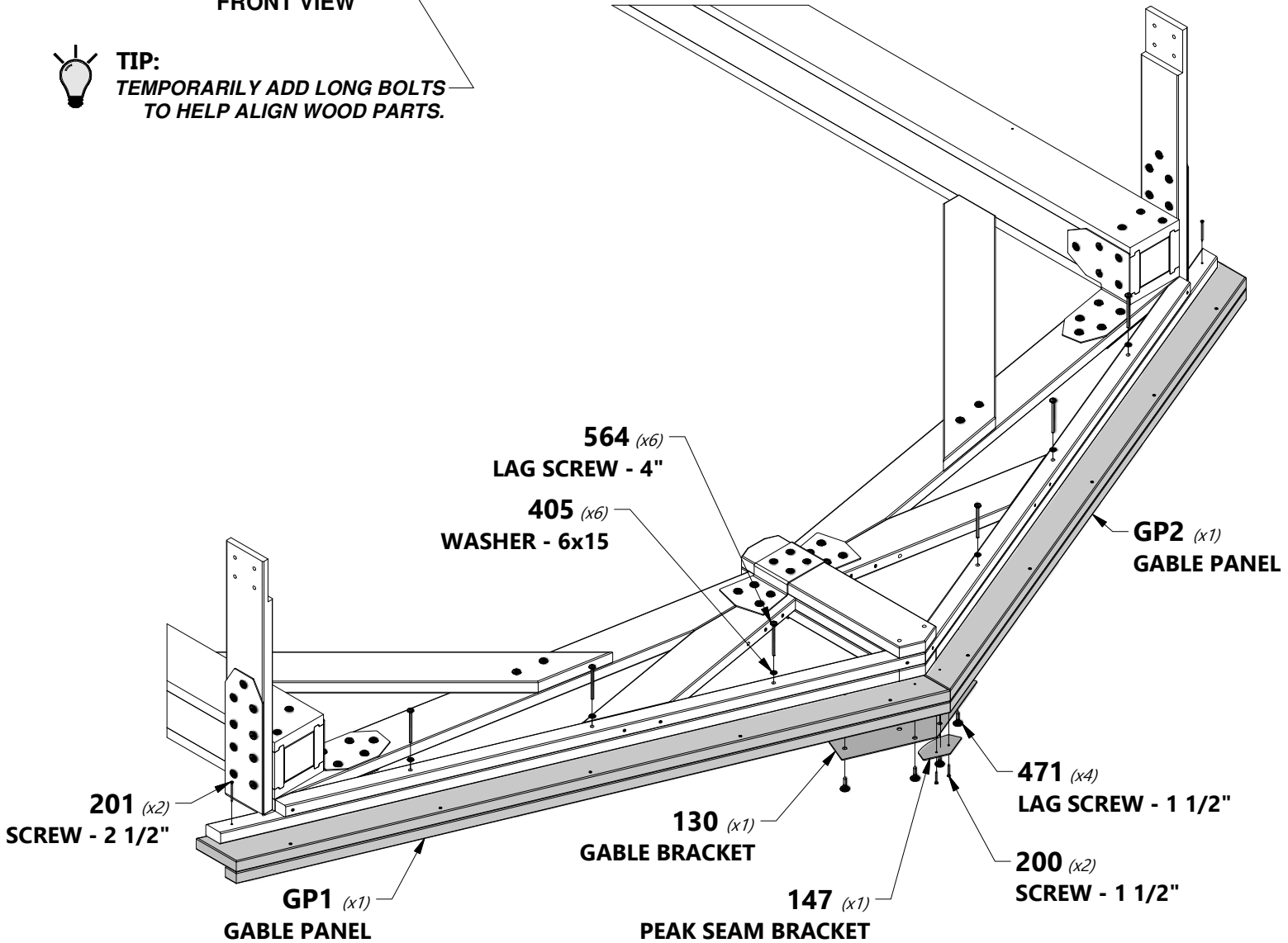
FRONT VIEW



TIP:
TEMPORARILY ADD LONG BOLTS
TO HELP ALIGN WOOD PARTS.



H100201 | SCREW PFH BLK
(x4) | 8x2-1/2





GAZEBO ASSEMBLY

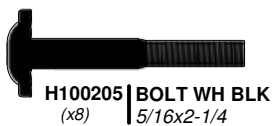
STEP 7



D3 | TOP RAIL - W4L13347
(x2) | 1 3/8"x5 1/4"x62 1/4" (36x134x1582)



D4 | CORBEL - W4L13804
(x2) | 1 3/8"x5 1/4"x35 7/8" (36x134x910)



H100205 | BOLT WH BLK
(x8) | 5/16x2-1/4



H100792 | LAG SCREW WH BLK
(x2) | 1/4x3



**H100405 | WASHER LOCK
EXT BLK**
(x2) | 6x15



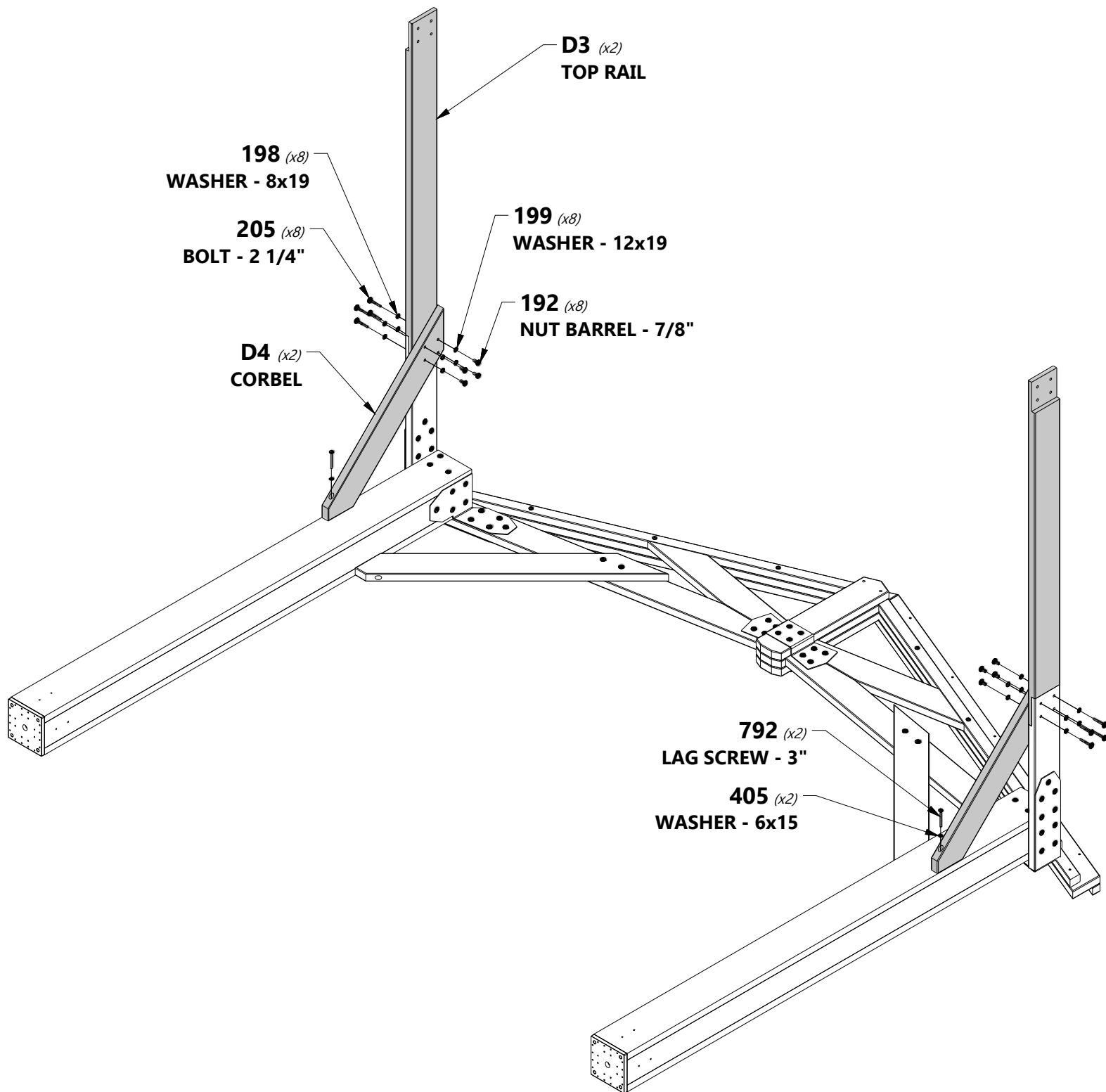
**H100192 | NUT BARREL
WH BLK**
(x8) | 5/16x7/8

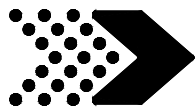


**H100199 | WASHER LOCK
EXT BLK**
(x8) | 12x19



**H100198 | WASHER LOCK
EXT BLK**
(x8) | 8x19



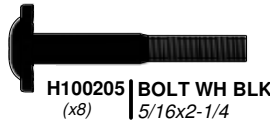


GAZEBO ASSEMBLY

STEP 8



D4 | CORBEL - W4L13804
(x2) | 1 3/8"x5 1/4"x35 7/8" (36x134x910)



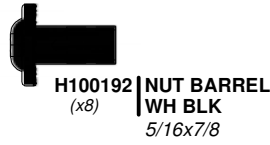
H100205 | BOLT WH BLK
(x8) | 5/16x2-1/4



H100792 | LAG SCREW WH BLK
(x2) | 1/4x3



H100405 | WASHER LOCK
(x2) | EXT BLK
6x15



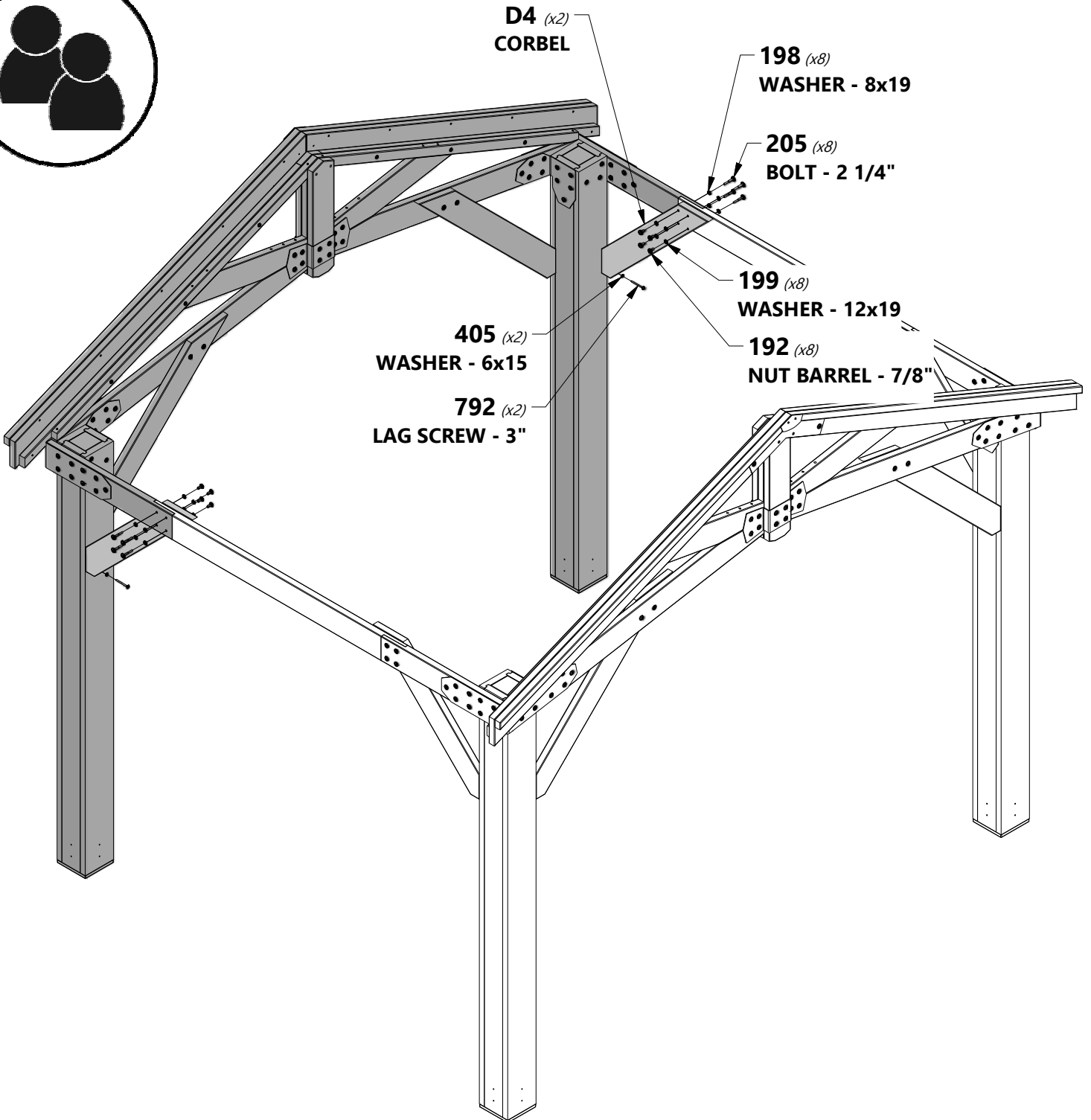
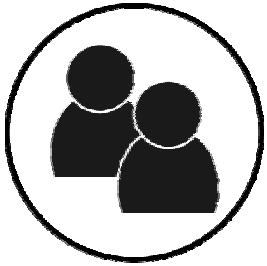
H100192 | NUT BARREL
(x8) | WH BLK
5/16x7/8

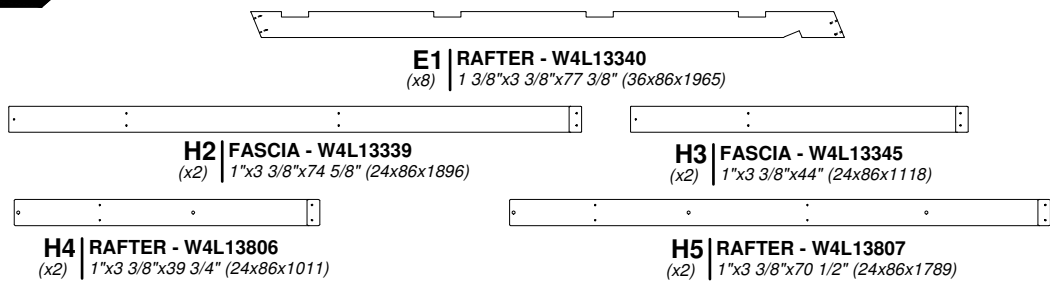


H100199 | WASHER LOCK
(x8) | EXT BLK
12x19

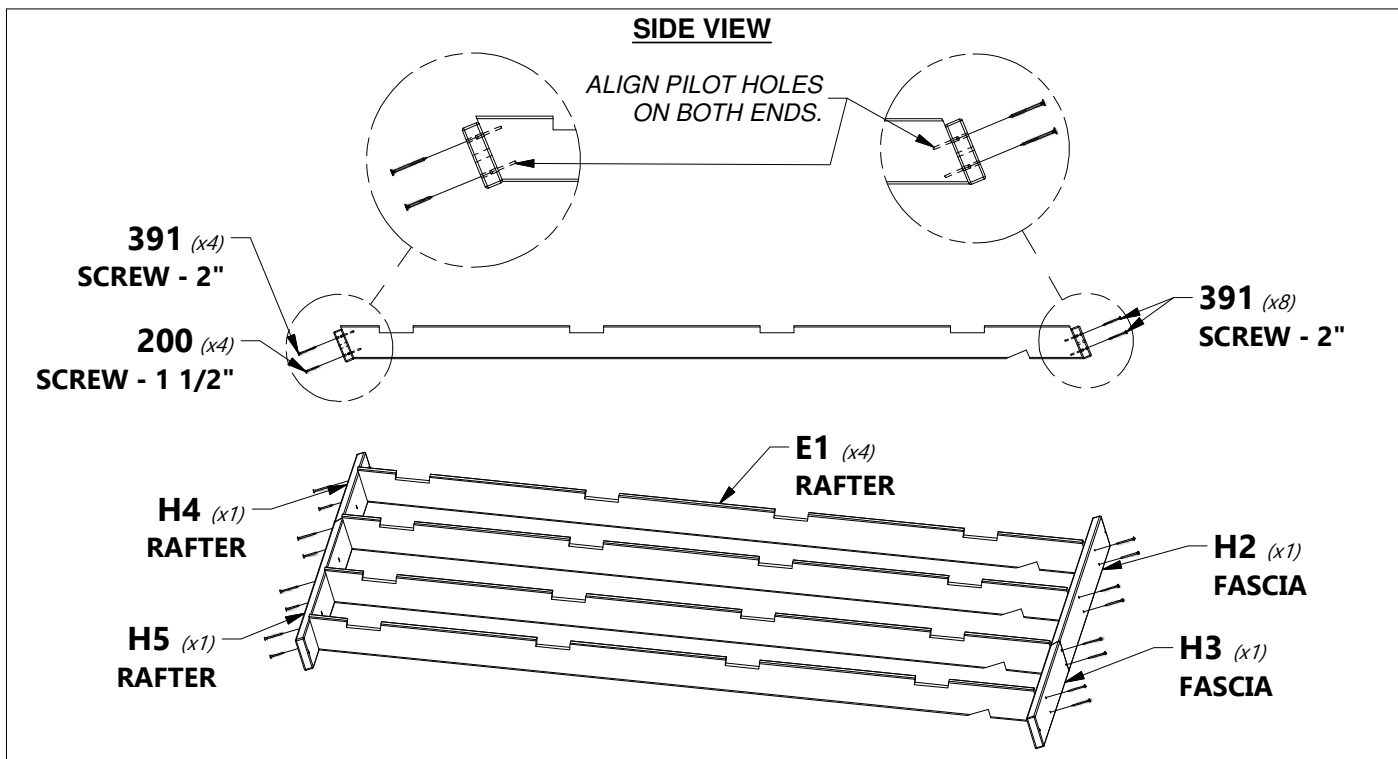
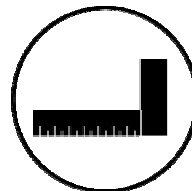
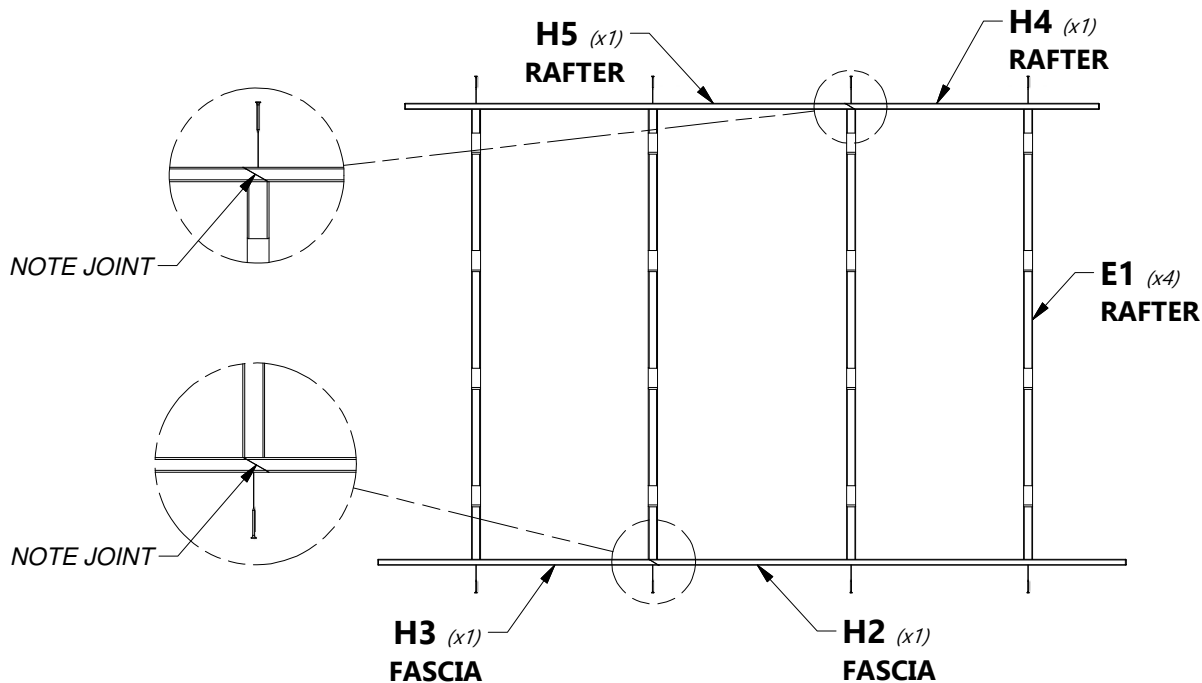


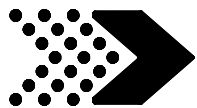
H100198 | WASHER LOCK
(x8) | EXT BLK
8x19





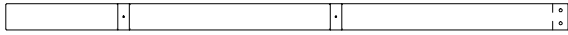
COMPLETE THIS STEP TWICE



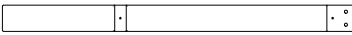


GAZEBO ASSEMBLY

STEP 10



E3 | SHEATHING BOARD - W4L13341
(x8) | 1 3/8"x3 3/8"x73 1/4" (36x86x1861)



E4 | SHEATHING BOARD - W4L13342
(x8) | 1 3/8"x3 3/8"x45 3/4" (36x86x1161)



H100459 | BOLT WH BLK
(x16) | 5/16x1 1/4



H100379 | T-NUT BLK
(x16) | 5/16

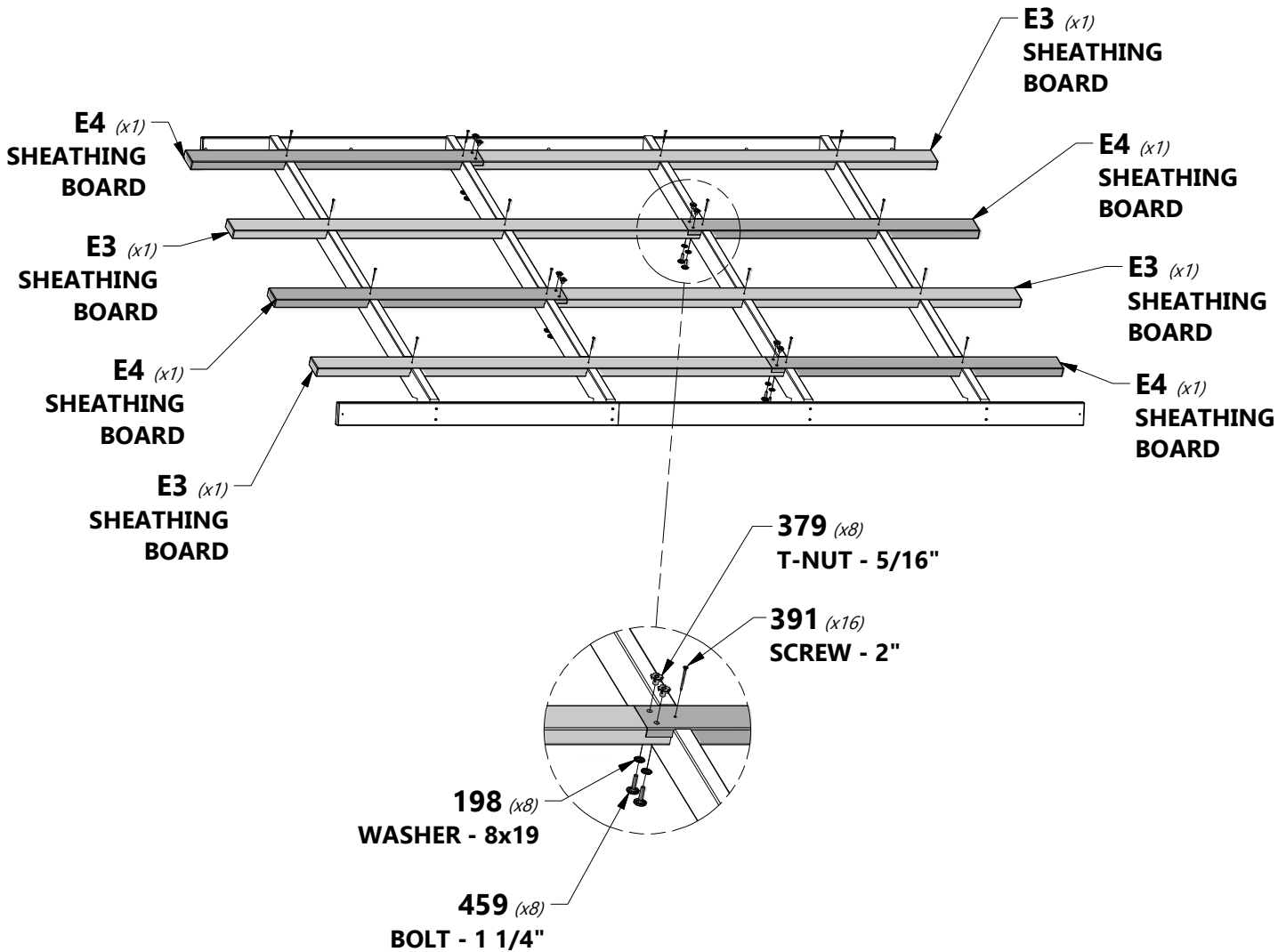
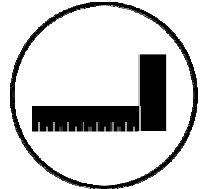
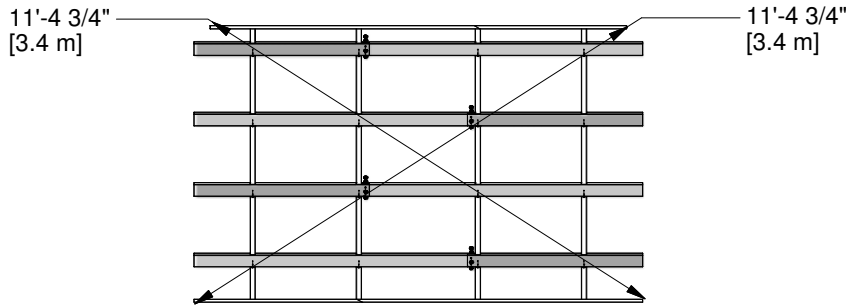


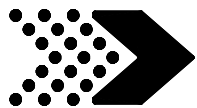
H100391 | SCREW PFH BLK
(x32) | 8x2



**H100198 | WASHER LOCK
EXT BLK**
(x16) | 8x19

COMPLETE THIS STEP TWICE





NOTE:

USE THIS PAGE TO FAMILIARIZE YOURSELF WITH THE ROOF PANEL & ASSIST YOU IN THE COMING STEPS.

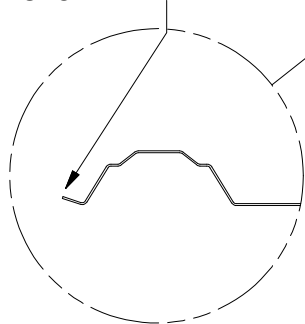
WARNING:

GLOVES SHOULD BE WORN WHEN HANDLING ROOF PANELS; EDGES ARE SHARP.

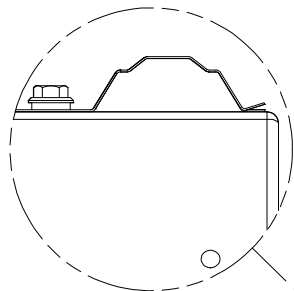
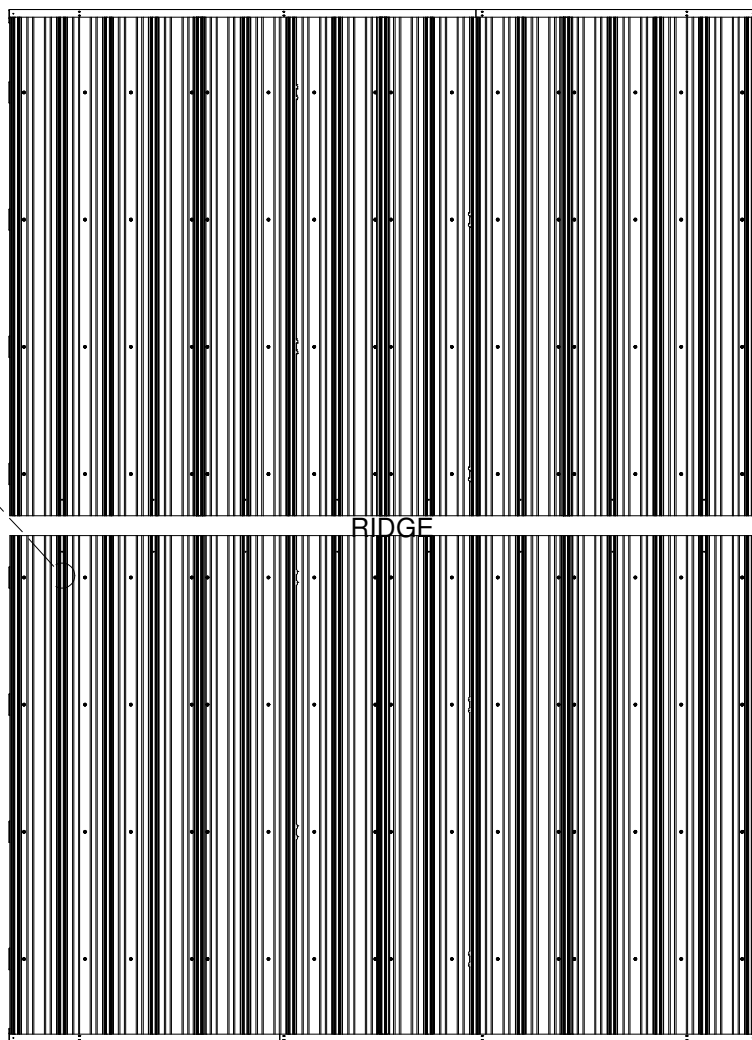
- Note the pre-drilled holes on the top end of each sheet shown below. These holes will always go towards the ridge of the roof and will be used to install the ridge cap in a later step. Assemble each roof panel by starting on the right side and working toward the left as shown.

POSITION YOUR ROOF PANELS ON THE GROUND SO THEY MIRROR EACH OTHER AS SHOWN.
REMOVE PROTECTIVE BLUE FILM FROM PANELS.

STARTING EDGE OF ROOF SHEETING FLARES UP AS SHOWN.

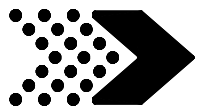


TOP VIEW



STARTING EDGE INSTALLED

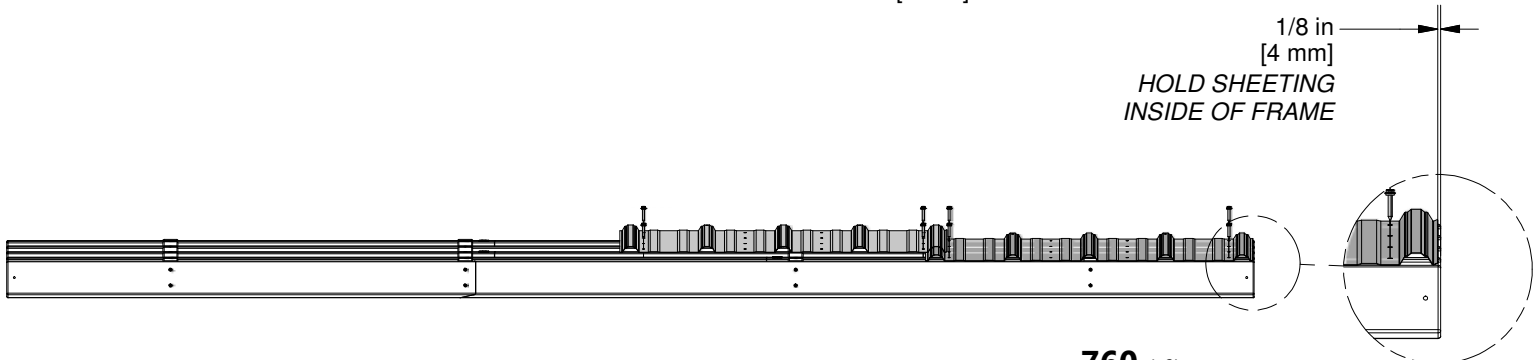
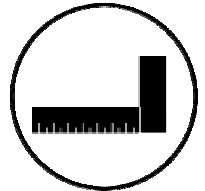
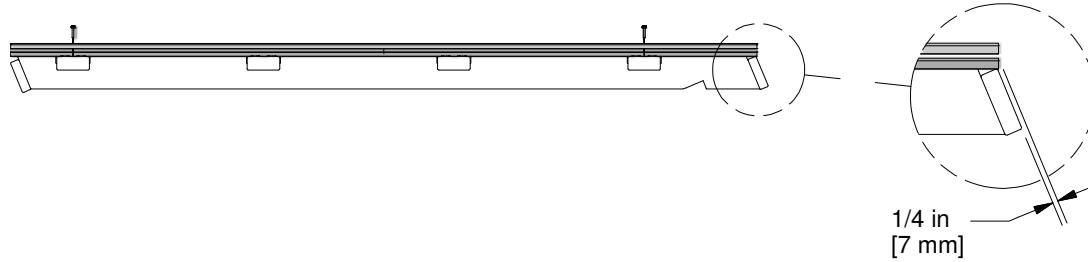




A4M01124 | 29 GA STEEL SHEETING
(x2)



H100760 | SCREW
(x8) | WOODGRIP
10x1 1/4



1/8 in
[4 mm]
**HOLD SHEETING
INSIDE OF FRAME**

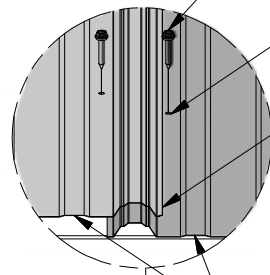


NOTE:
MAKE SURE YOUR ROOF PANEL IS
SQUARE BEFORE MOVING ON.

760 *(x8)*
SCREW - 1 1/4"

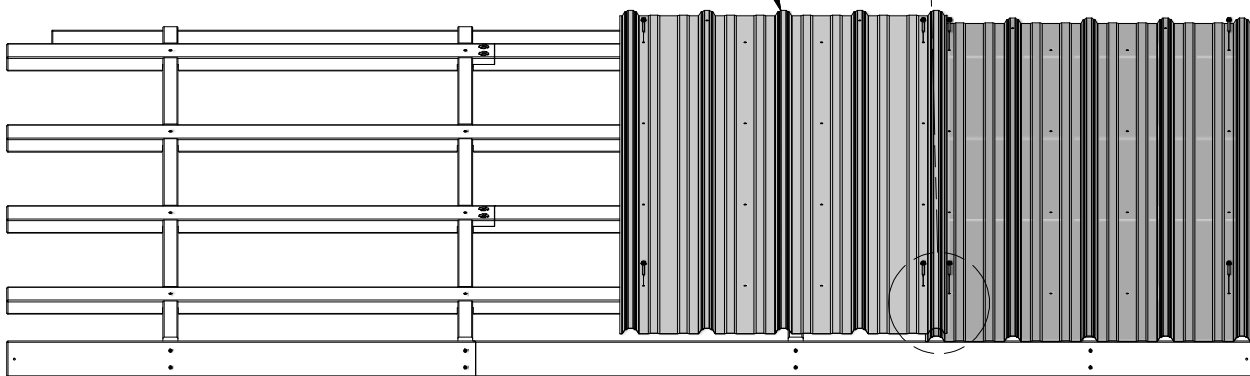
NOTE THRU HOLES

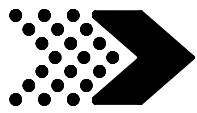
NOTE RIB OVERLAP



FLUSH SHEETING

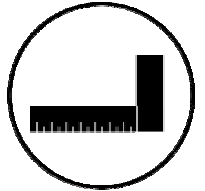
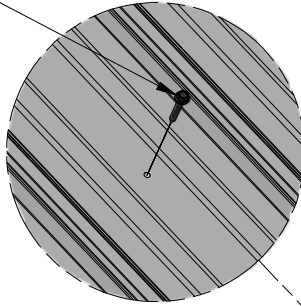
124 *(x2)*
29 GA STEEL SHEETING



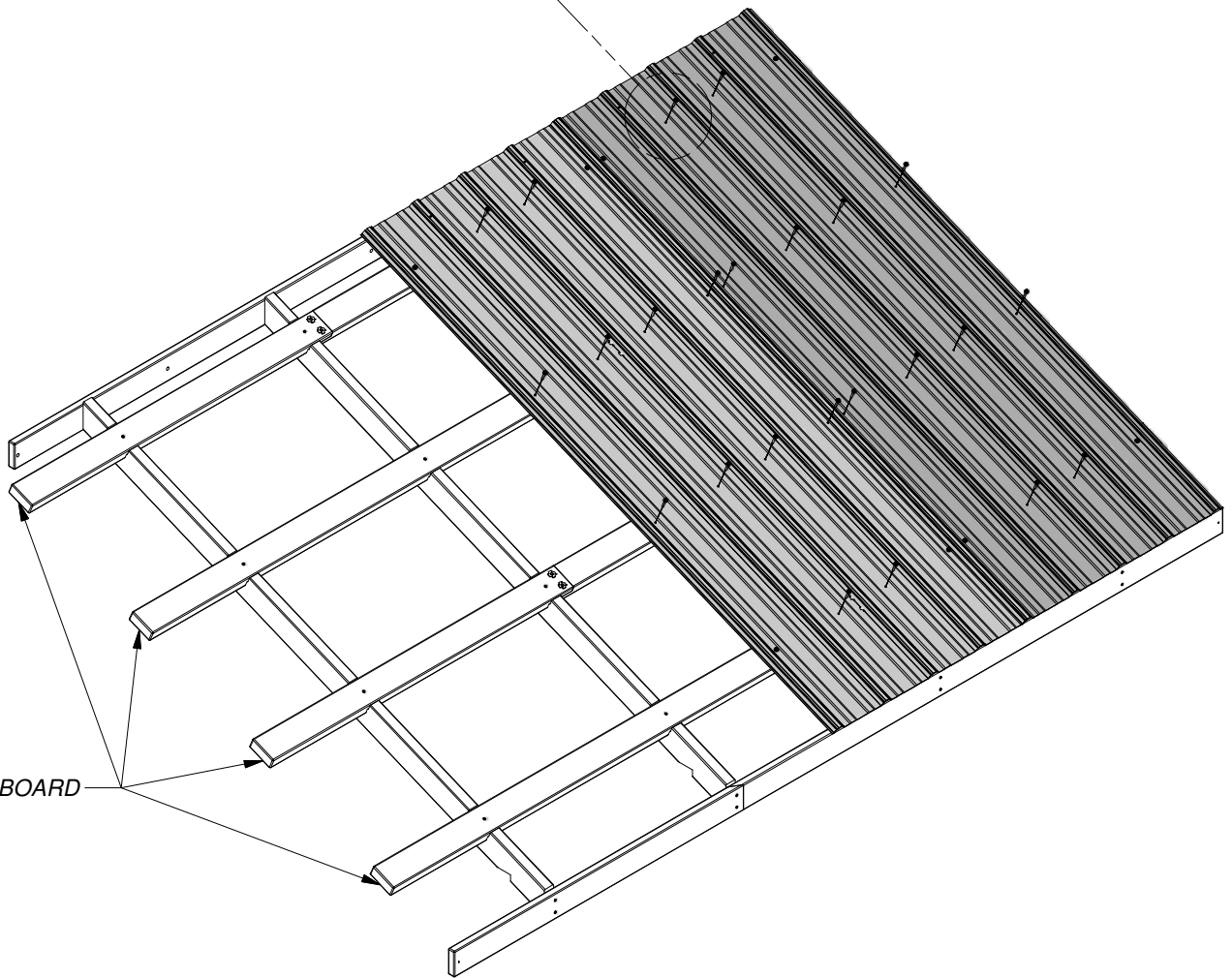


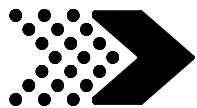
H100760 | SCREW
(x24) | WOODGRIP
10x1 1/4

760 (x24)
SCREW - 1 1/4"



SHEATHING BOARD

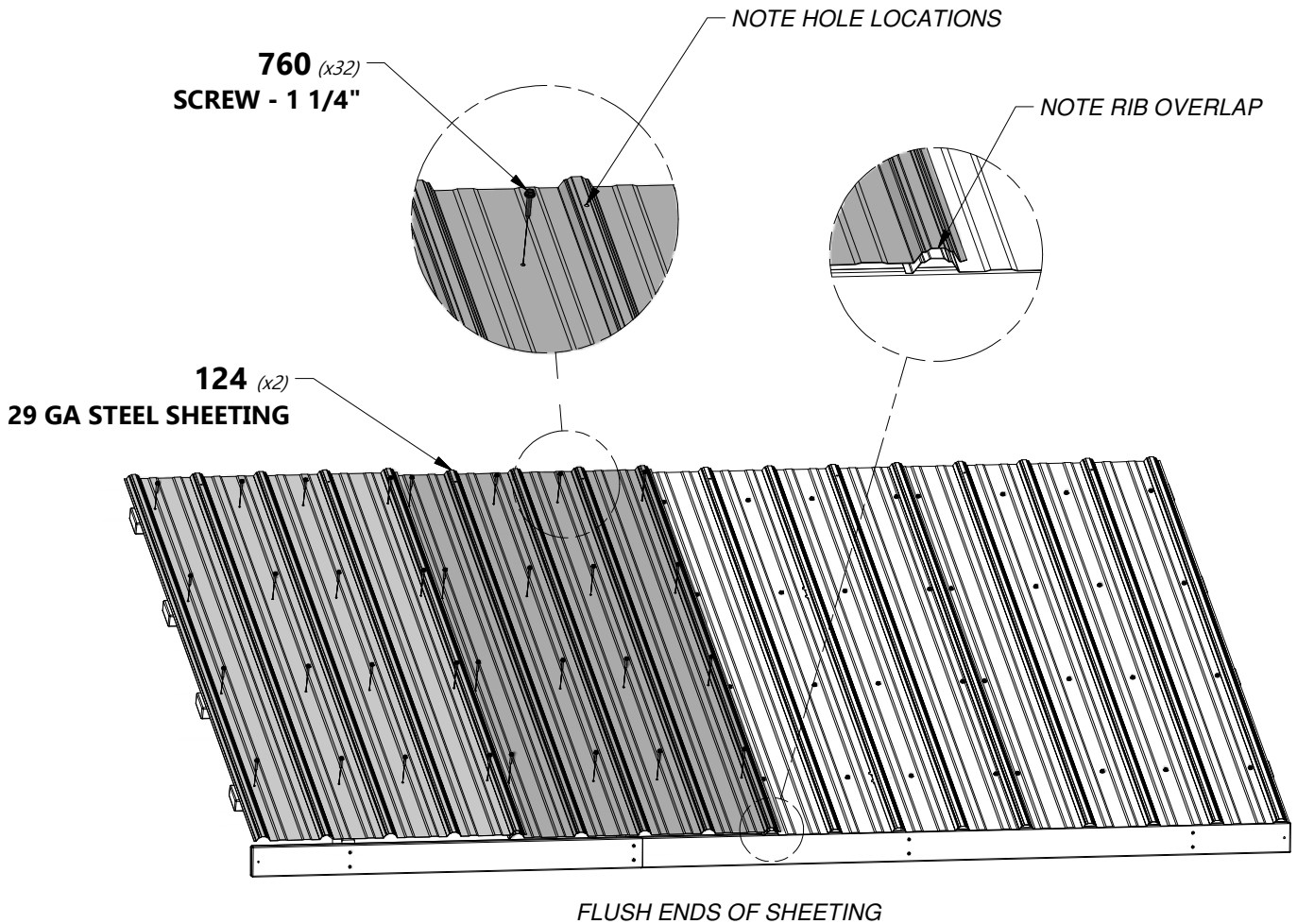
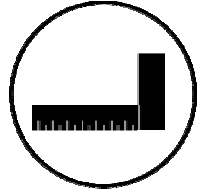
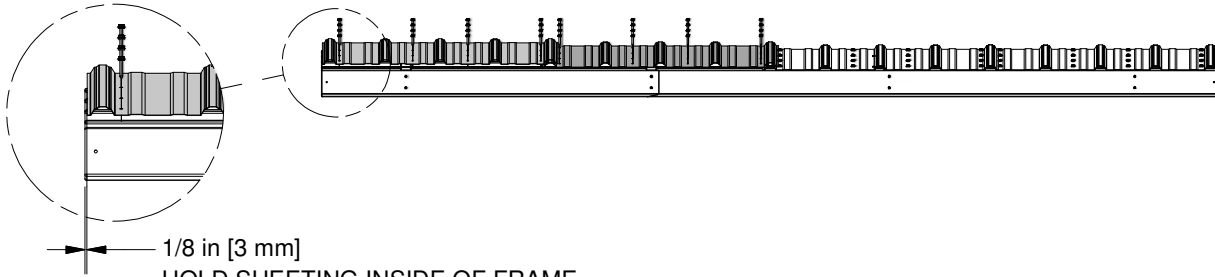




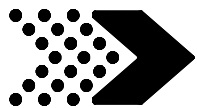
A4M01124 | 29 GA STEEL SHEETING
(x2)



H100760 | SCREW
(x32) | WOODGRIP
10x1 1/4



REPEAT STEPS 12 THROUGH 14 FOR THE OTHER SIDE.



A4M00983 | ROOF EDGE TRIM SPLICE
(x2)



A4M00982 | ROOF EDGE TRIM
(x4)



H100759 | SCREW TAPPING
(x16) | 1/4x3/4

COMPLETE THIS STEP TWICE



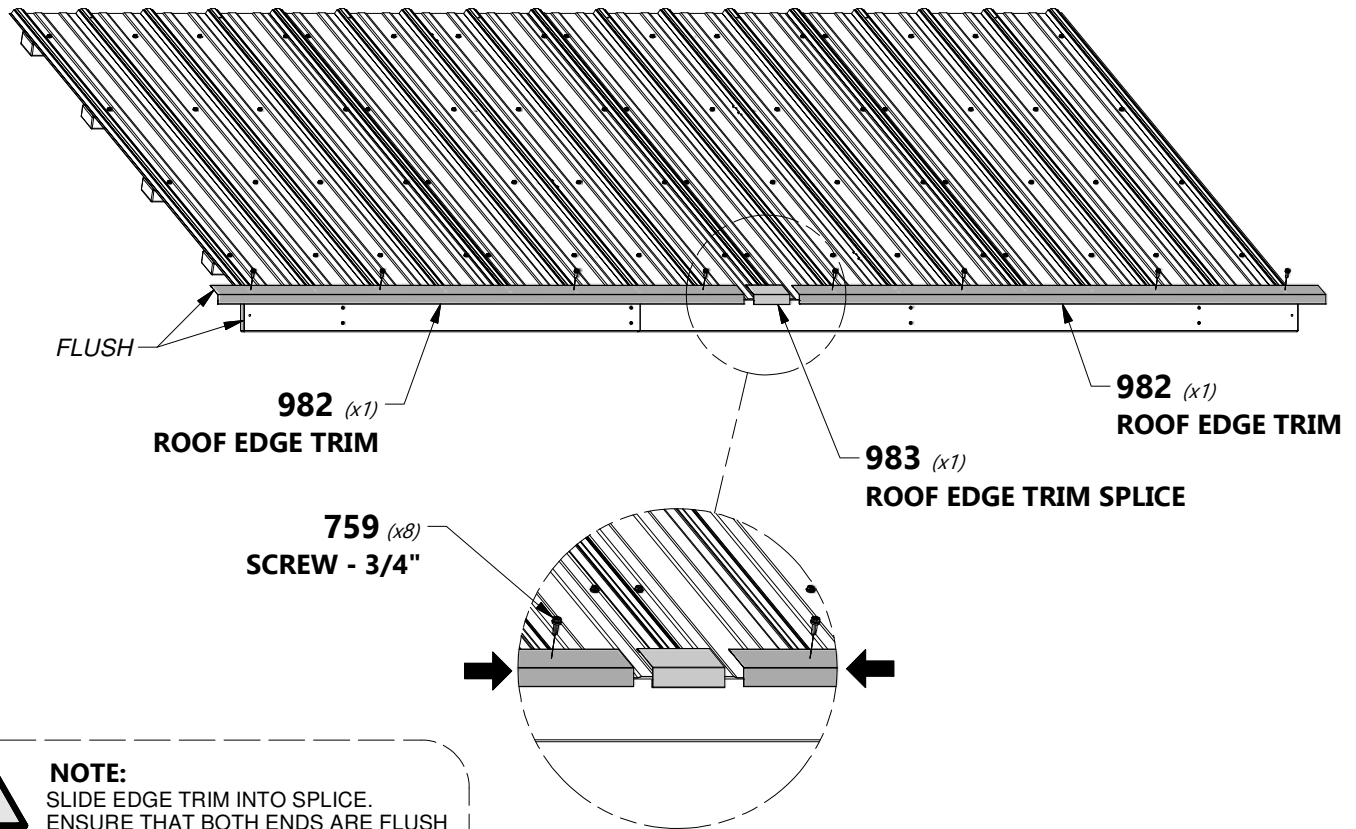
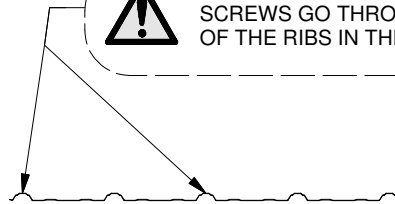
TIP:

DUE TO MULTIPLE LAYERS OF METAL ON THE EDGE TRIM, IT IS RECOMMENDED THAT A 1/8" DRILL BIT IS USED TO CREATE STARTER HOLES.



NOTE:

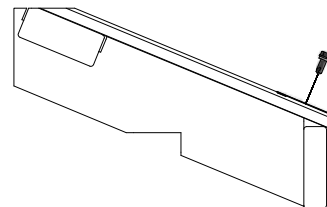
SCREWS GO THROUGH EDGE TRIM INTO THE TOP OF THE RIBS IN THE APPROXIMATE LOCATIONS SHOWN.

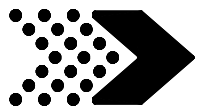


NOTE:

SLIDE EDGE TRIM INTO SPLICE. ENSURE THAT BOTH ENDS ARE FLUSH WITH EDGE OF ROOF PANELS.

SIDE VIEW






H100391 | SCREW PFH BLK
(x4) | 8x2

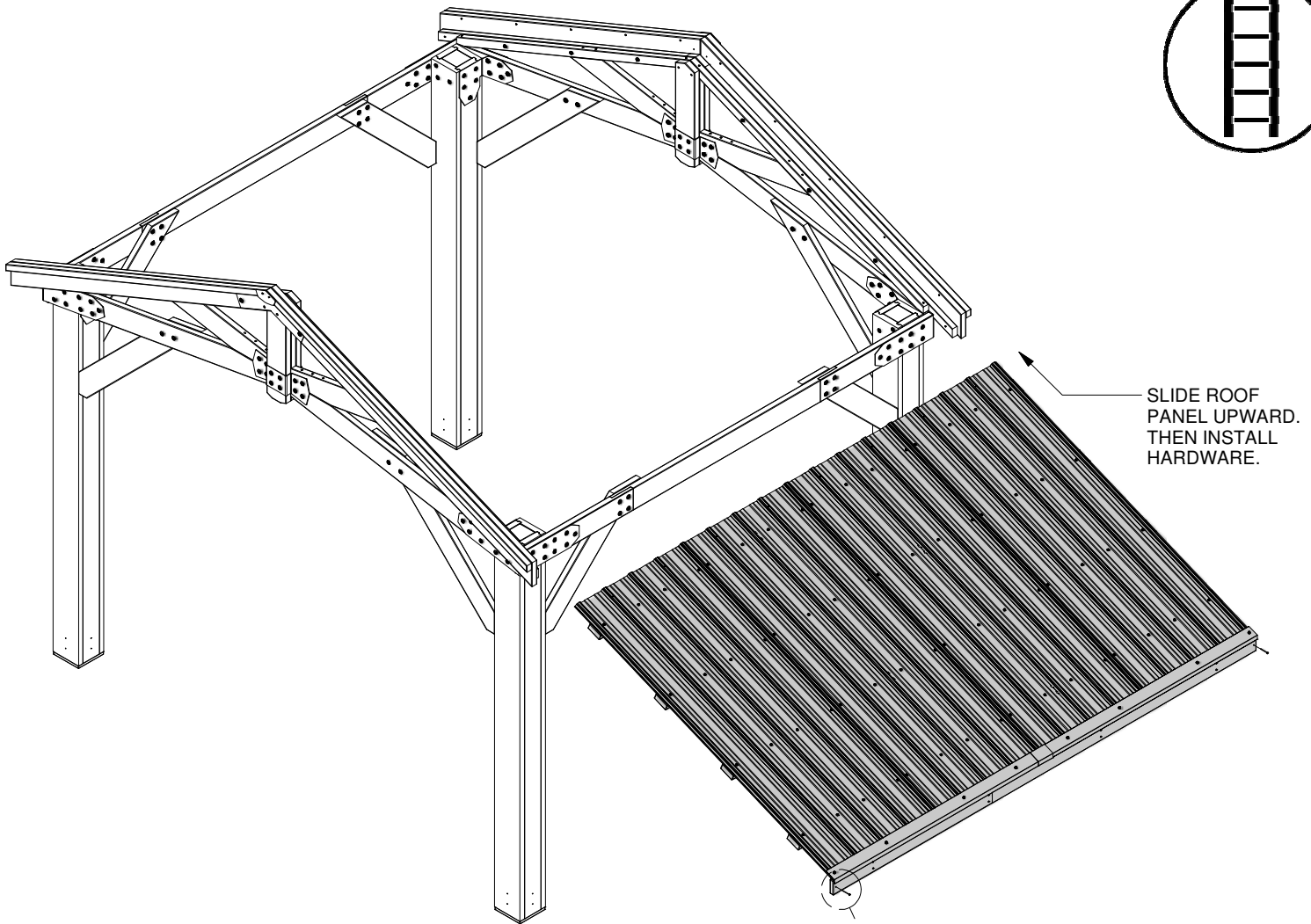
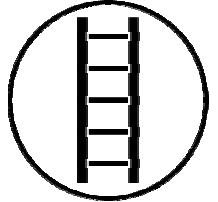


NOTE:
WITH AT LEAST TWO PEOPLE LIFT ASSEMBLED ROOF PANEL AND SLIDE IT INTO THE TRACKS ON THE RAFTERS. ONCE IN PLACE, INSTALL ATTACHMENT HARDWARE AS SHOWN.

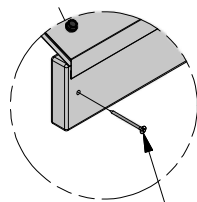
COMPLETE THIS STEP TWICE



TWO PERSON LIFT



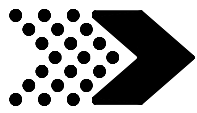
SLIDE ROOF PANEL UPWARD. THEN INSTALL HARDWARE.



391 (x2)
SCREW - 2"



TIP:
A THIRD PERSON IS HELPFUL TO ATTACH ROOF ONCE IT IS IN PLACE.



H100407 | BOLT WH BLK
(x3) | 5/16x1 1/2



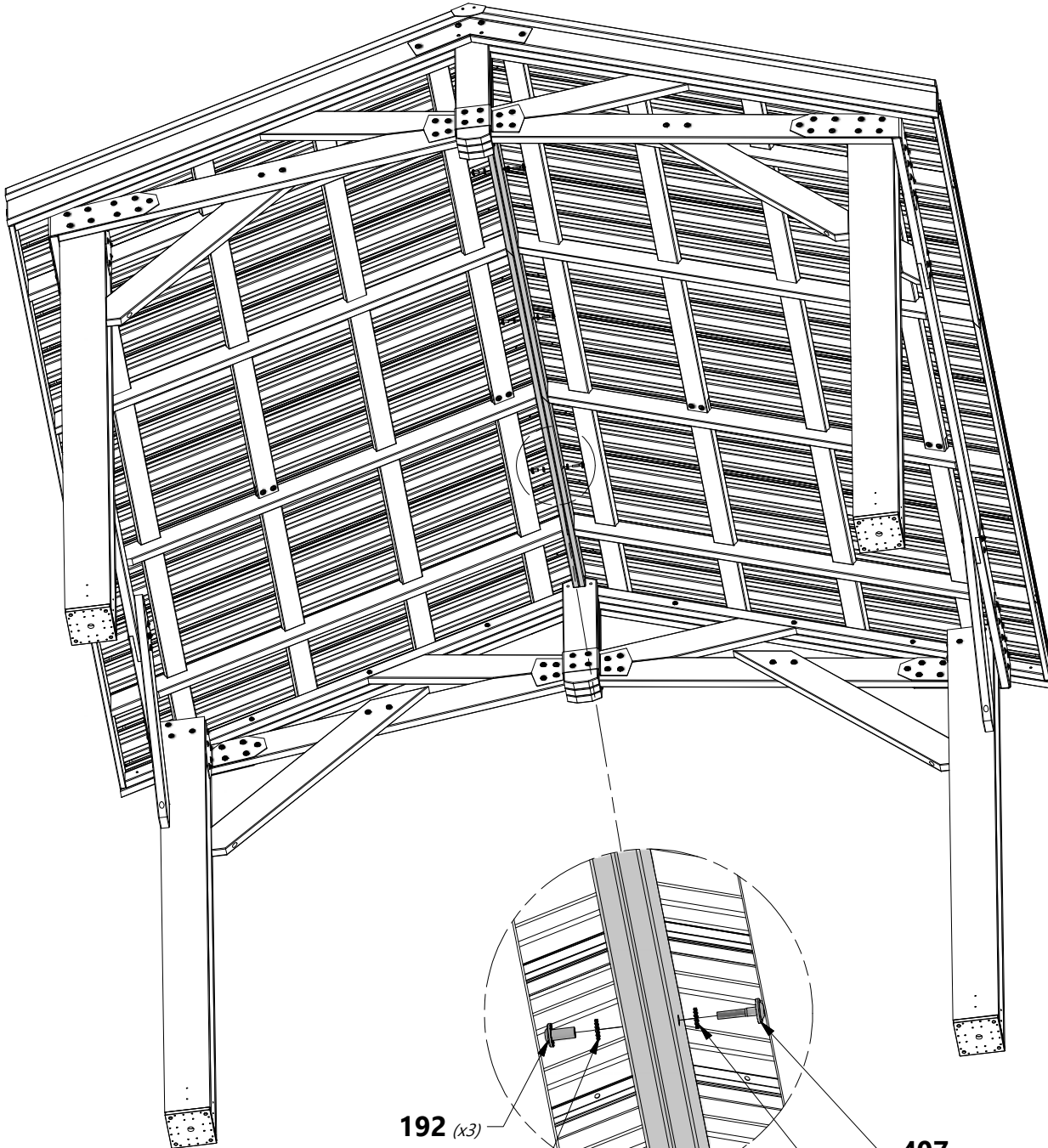
H100198 | WASHER LOCK
(x3) | EXT BLK
8x19



H100199 | WASHER LOCK
(x3) | EXT BLK
12x19



H100192 | NUT BARREL
(x3) | WH BLK
5/16x7/8

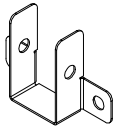
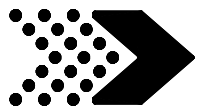


192 (x3)
NUT BARREL - 7/8"

199 (x3)
WASHER - 12x19

407 (x3)
BOLT - 1 1/2"

198 (x3)
WASHER - 8x19



A4M01148 | TRUSS BRACKET
(x2)



H100354 | BOLT WH BLK
(x4) | 5/16x6 1/2



H100378 | BOLT WH BLK
(x2) | 5/16x1 3/4



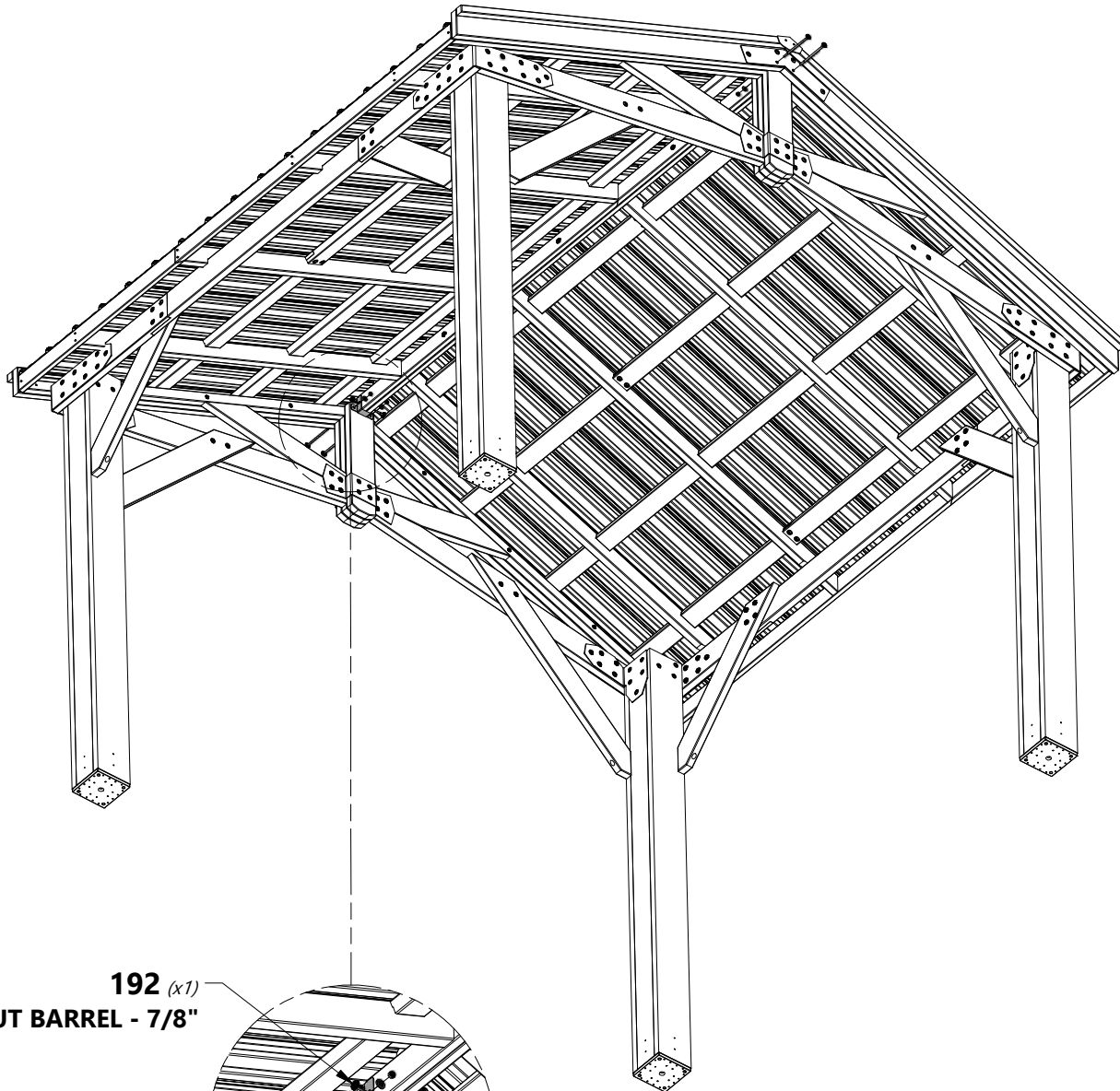
H100192 | NUT BARREL
(x2) | WH BLK
5/16x7/8



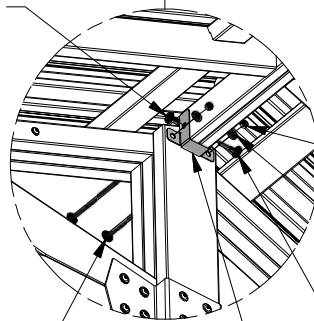
H100770 | WASHER FLAT BLK
(x4) | 5/16



H100479 | NUT LOCK BLK
(x4) | 5/16



192 (x1)
NUT BARREL - 7/8"



479 (x2)
NUT - 5/16"

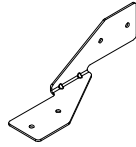
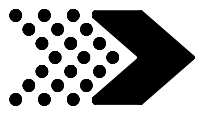
770 (x2)
WASHER - 5/16"

354 (x2)
BOLT - 6 1/2"

378 (x1)
BOLT - 1 3/4"

148 (x1)
TRUSS BRACKET

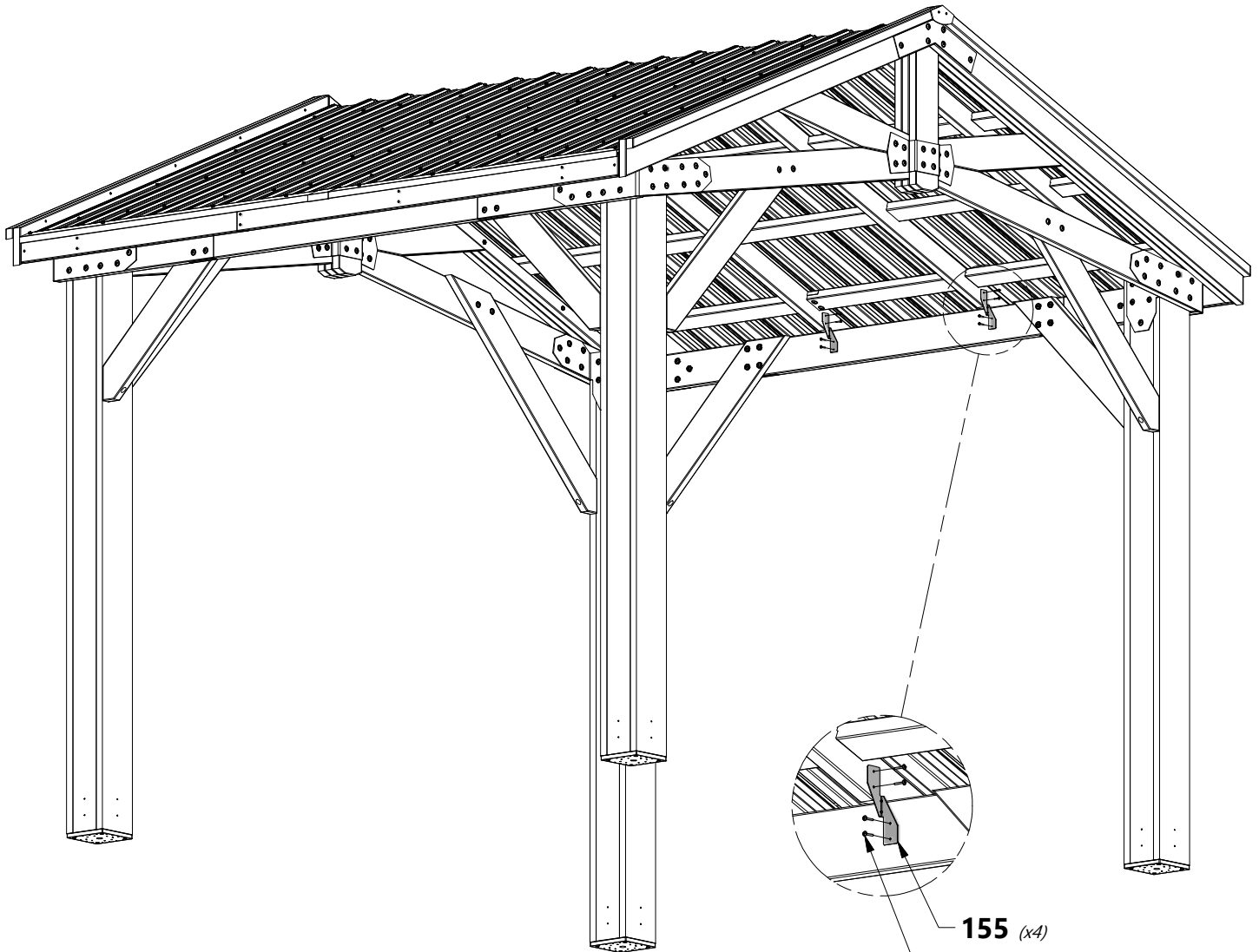
REPEAT ON OTHER SIDE



A4M01155 | TIE BRACKET
(x4)

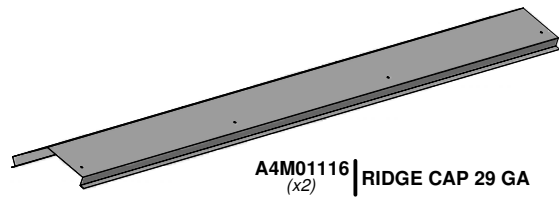
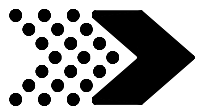


H100797 | SCREW PWH BLK
(x16) | 8x1



155 *(x4)*
TIE BRACKET

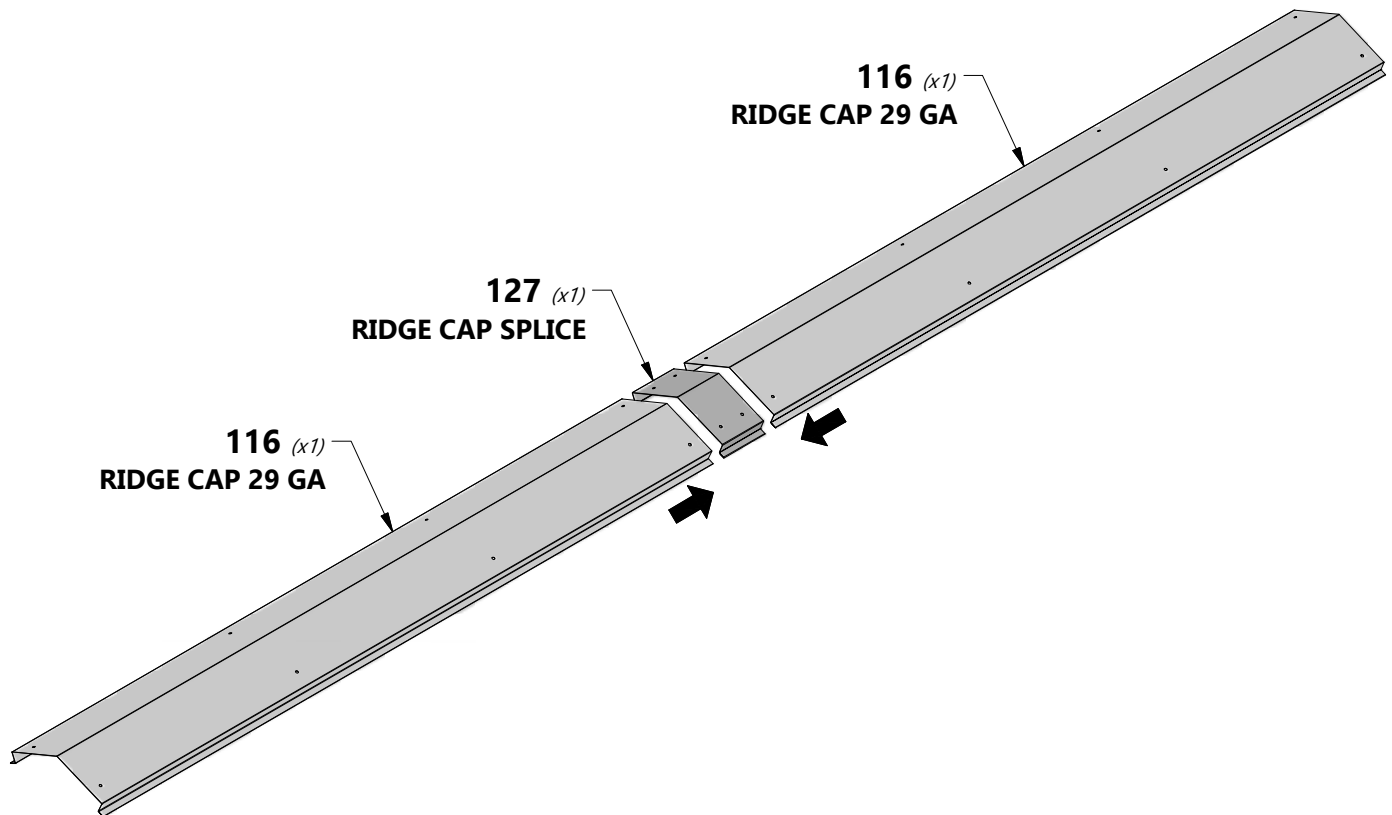
797 *(x16)*
SCREW - 1"

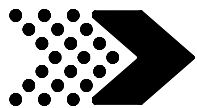


RIDGE CAP ASSEMBLY PREPARATION



NOTE:
INSTALL THE PROVIDED RIDGE CAP SPLICE BY SLIDING EACH RIDGE CAP INTO THE SPLICE AS SHOWN UNTIL CENTERED.





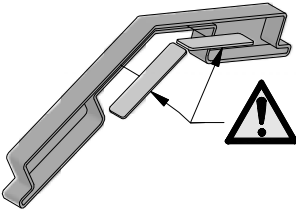
J10 | RIDGE CAP STIFFENER - W4L13591
(x2) | 1"x2 3/8"x69 1/4" (24x60x1760)



A6P00398 | RIDGE CAP PROTECTOR
(x2)

J9 | RIDGE CAP STIFFENER - W4L13590
(x2) | 1"x2 3/8"x47 5/8" (24x60x1210)

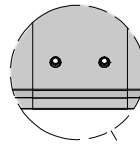
H100833 | SCREW WOODGRIP
(16) | 10x3/4



NOTE:
REMOVE SPACERS AS SHOWN
BEFORE INSTALLING.

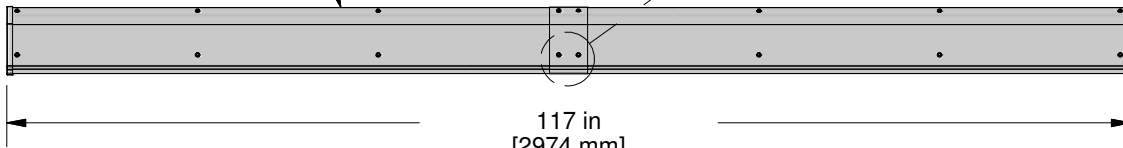


NOTE:
ASSEMBLE BY ALIGNING THE HOLES ON EACH
RIDGE CAP TO THE HOLES IN THE RIDGE CAP
SPLICE TO ENSURE THAT THE OVERALL
LENGTH IS 117 1/16" MAX.



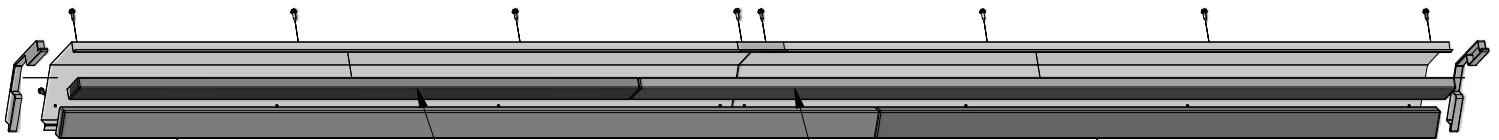
RIDGE CAP FROM PREVIOUS STEP

TOP VIEW



117 in
[2974 mm]
MAX WHEN ASSEMBLED

BOTTOM VIEW



J9 (x1)
RIDGE CAP STIFFENER

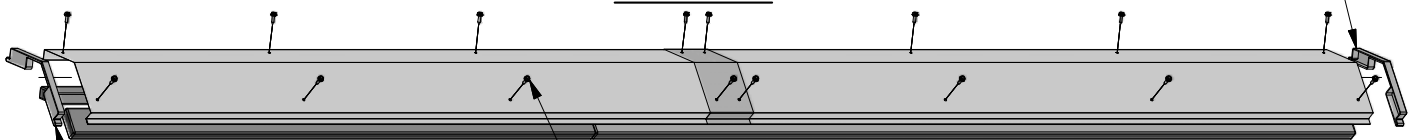
J10 (x1)
RIDGE CAP STIFFENER

J9 (x1)
RIDGE CAP STIFFENER

J10 (x1)
RIDGE CAP STIFFENER

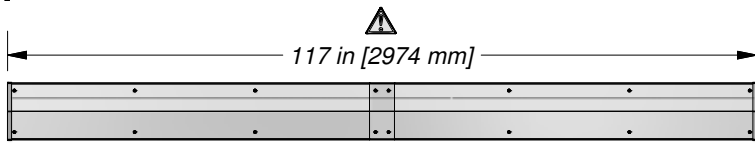
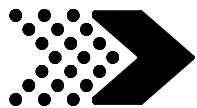
TOP VIEW

398 (x1)
RIDGE CAP PROTECTOR



398 (x1)
RIDGE CAP PROTECTOR

833 (x16)
SCREW - 3/4"

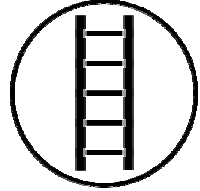
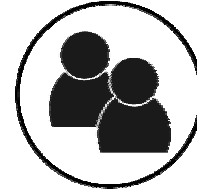
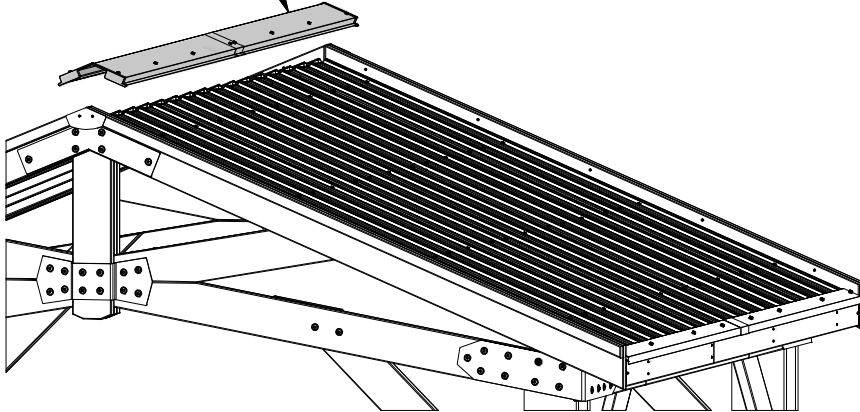


RIDGE CAP ASSEMBLY FROM PREVIOUS STEP



H100392 | SCREW PWH BLK
(x16) 8x3/4

RIDGE CAP ASSEMBLY FROM PREVIOUS STEP.



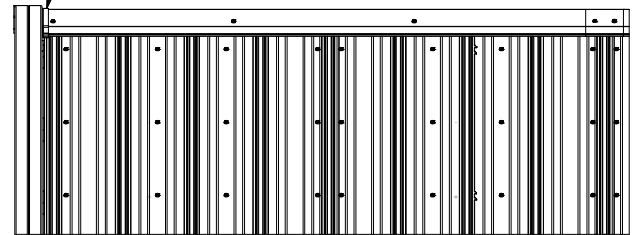
NOTE:

USING AN ADULT HELPER, SLIDE RIDGE CAP ASSEMBLY CAREFULLY ACROSS THE ROOF RIDGE UNTIL BOTH ENDS SIT INSIDE RAFTERS AS SHOWN.



NOTE:

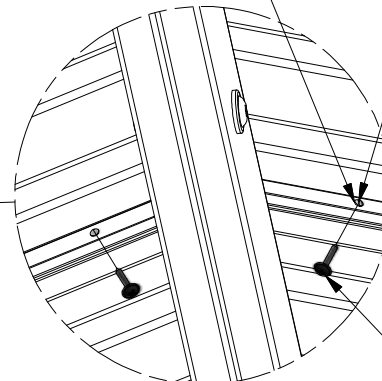
RIDGE CAP ASSEMBLY HAS BEEN DESIGNED FOR SAFE INSTALLATION FROM A LADDER AND NO ROOF ACCESS IS REQUIRED NOR RECOMMENDED.



TIP:

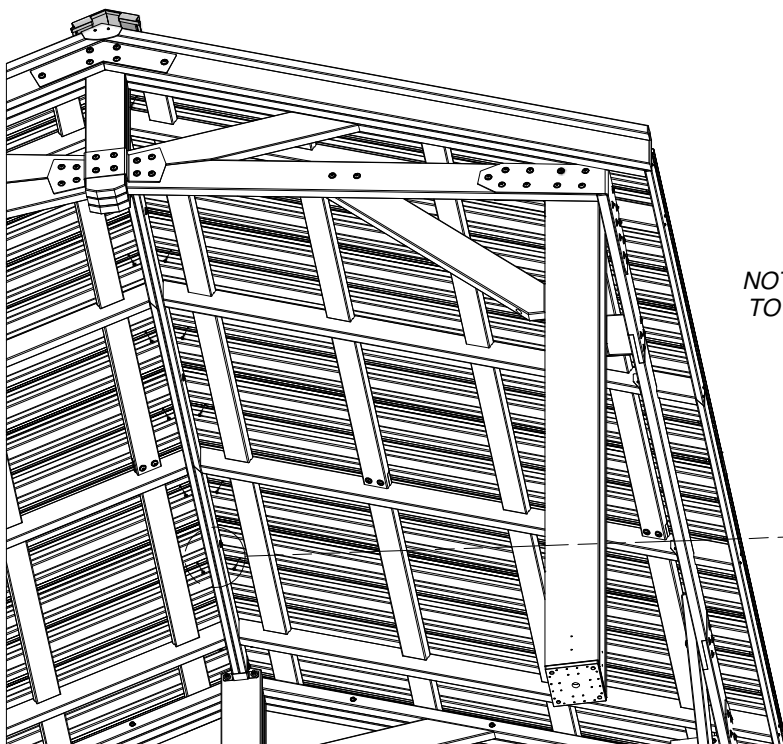
FOR PROPER INSTALLATION, USE AN ADULT HELPER TO KEEP DOWNWARD PRESSURE ON THE RIDGE CAP DURING SCREW INSTALLATION.

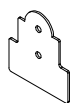
NOTE USE PILOT HOLES TO ATTACH RIDGE CAP.



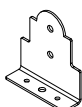
NOTE ALL SCREWS LAND IN STIFFENER BOARDS.

392 (x16)
SCREW - 3/4"





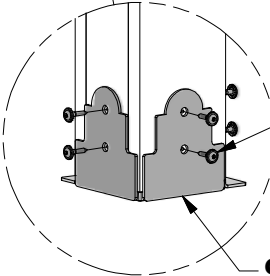
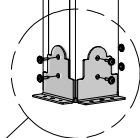
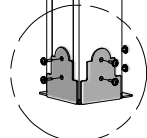
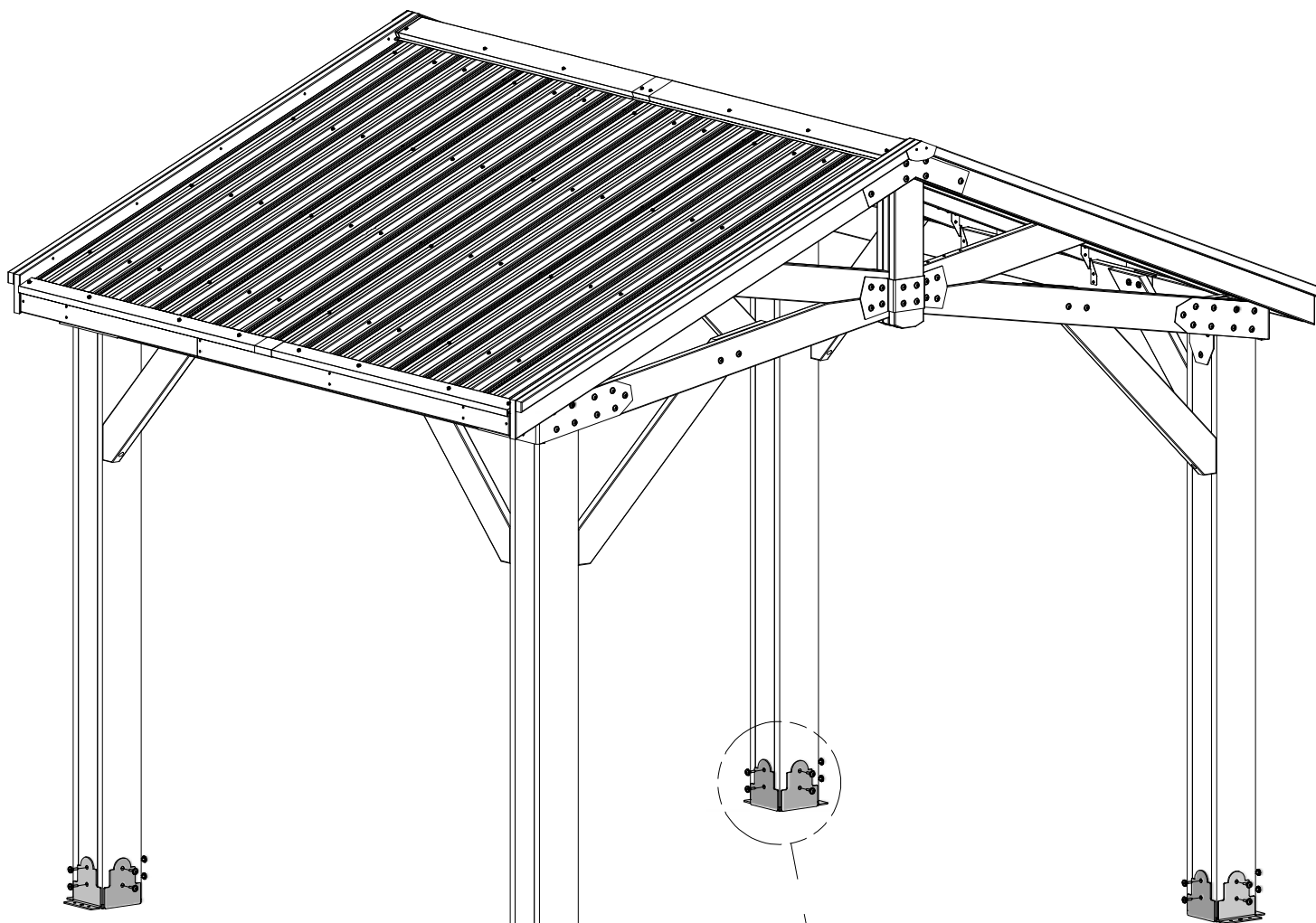
A4M00950 (x8) | **STEEL POST PLATE**



A4M00949 (x8) | **STEEL POST ANCHORING PLATE WITH FLANGE**

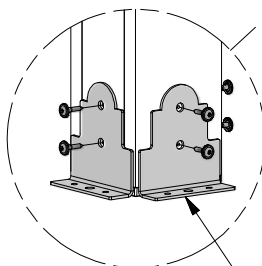


H100471 (x32) | **LAG SCREW**
WH BLK
5/16x1 1/2

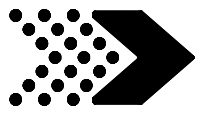


471 (x32) | **LAG SCREW - 1 1/2"**

950 (x8) | **STEEL POST PLATE**



949 (x8) | **STEEL POST ANCHORING PLATE WITH FLANGE**



GAZEBO ASSEMBLY

STEP 24



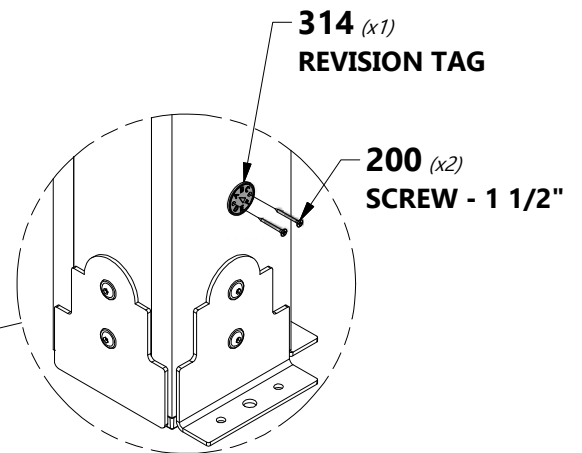
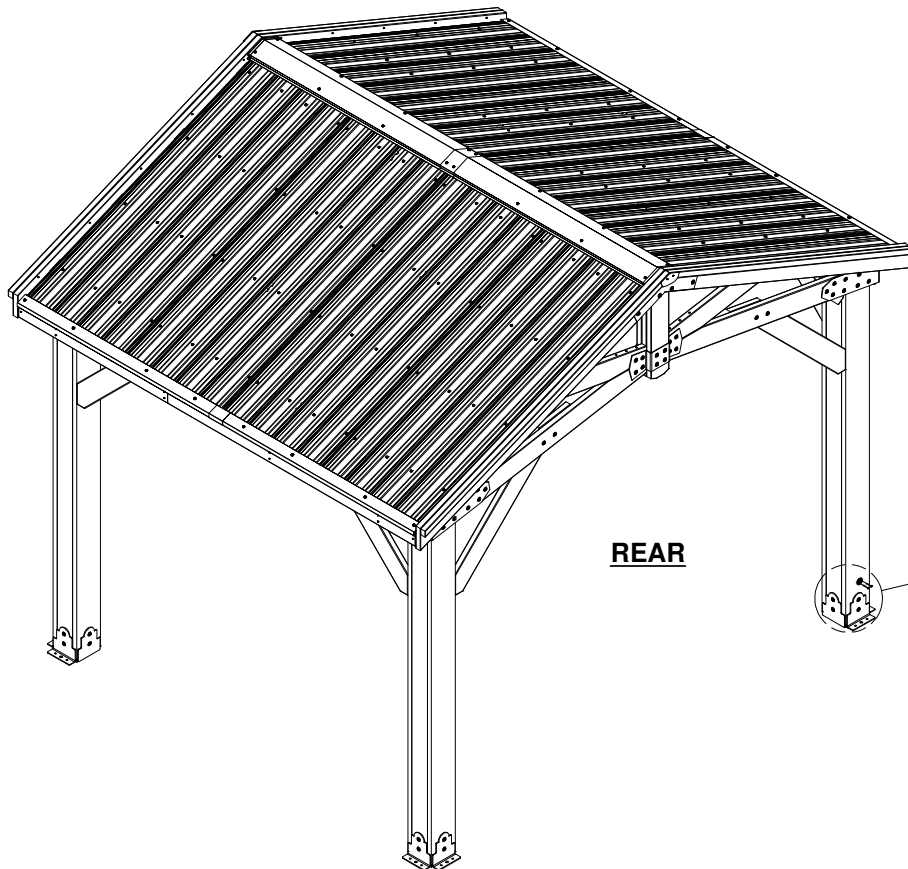
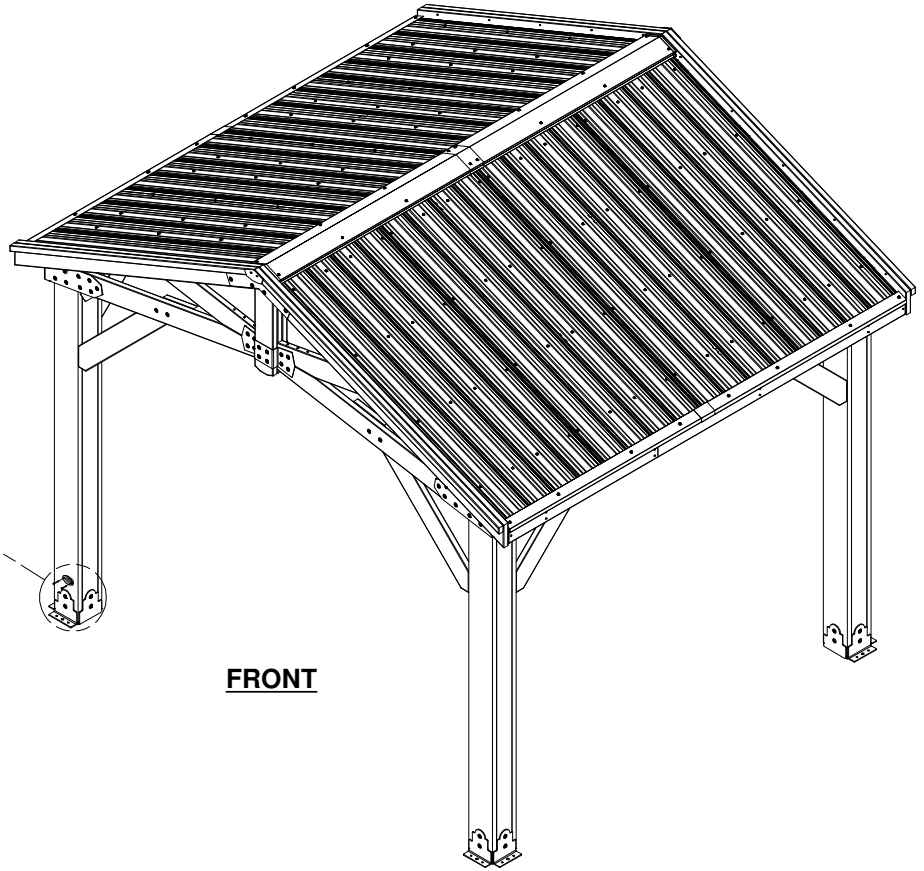
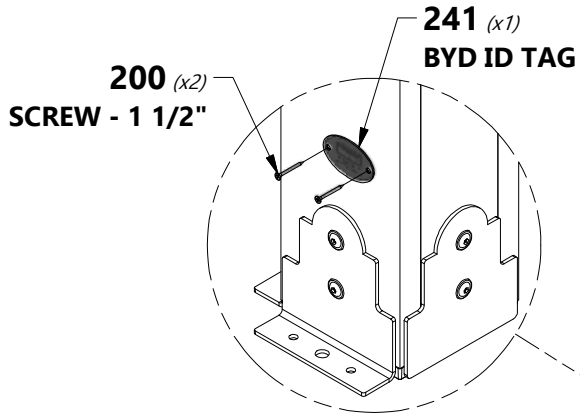
A100241 | BYD ID TAG (SMALL) WITHOUT AGES
(x1)



A100314 | "A" REVISION TAG
(x1)



H100200 | SCREW PFH BLK
(x4) 8x1 1/2





H100120 | SCREW CONCRETE ANCHOR
(x16) | 1/4x2



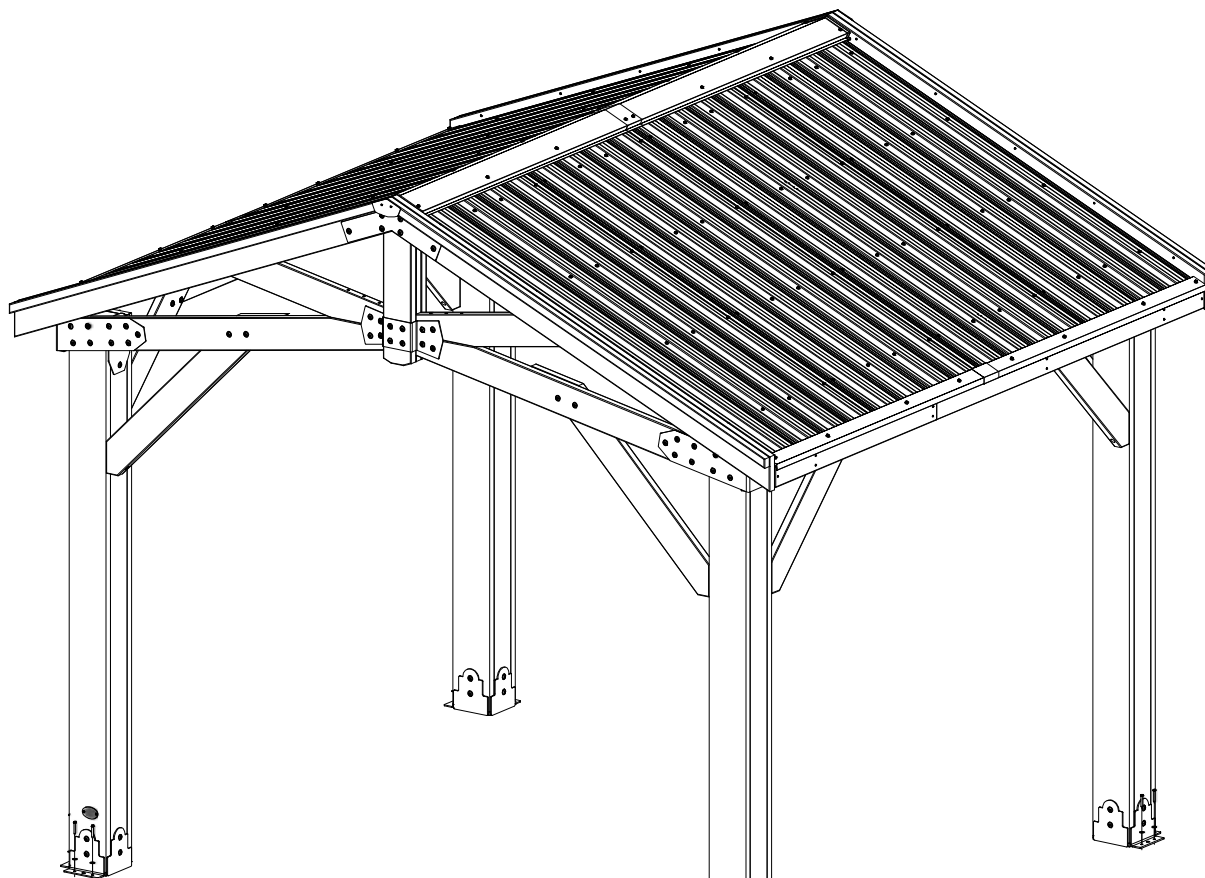
H100630 | WASHER FLAT BLK
(x16) | 8x19



NOTE:

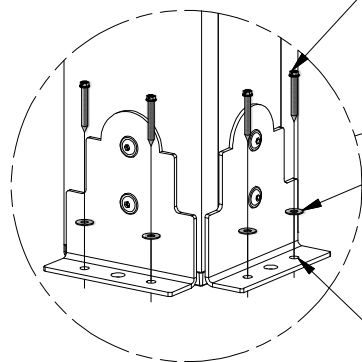
MANUFACTURER RECOMMENDS INSTALLATION ON CONCRETE SURFACE OR CONCRETE POST PADS. SEE BELOW.

FOR INSTALLATION ON WOOD DECK, YOU MUST ENSURE THERE IS AMPLE STRUCTURAL SUPPORT UNDER DECK. HARDWARE NOT INCLUDED.



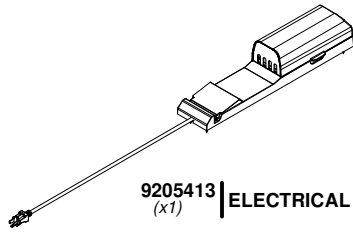
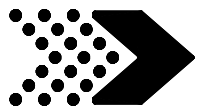
120 (x16)
SCREW - 2"

630 (x16)
WASHER - 8x19



NOTE:

PRE-DRILL HOLES FOR CONCRETE ANCHORS USING A 3/16" CONCRETE DRILL BIT.

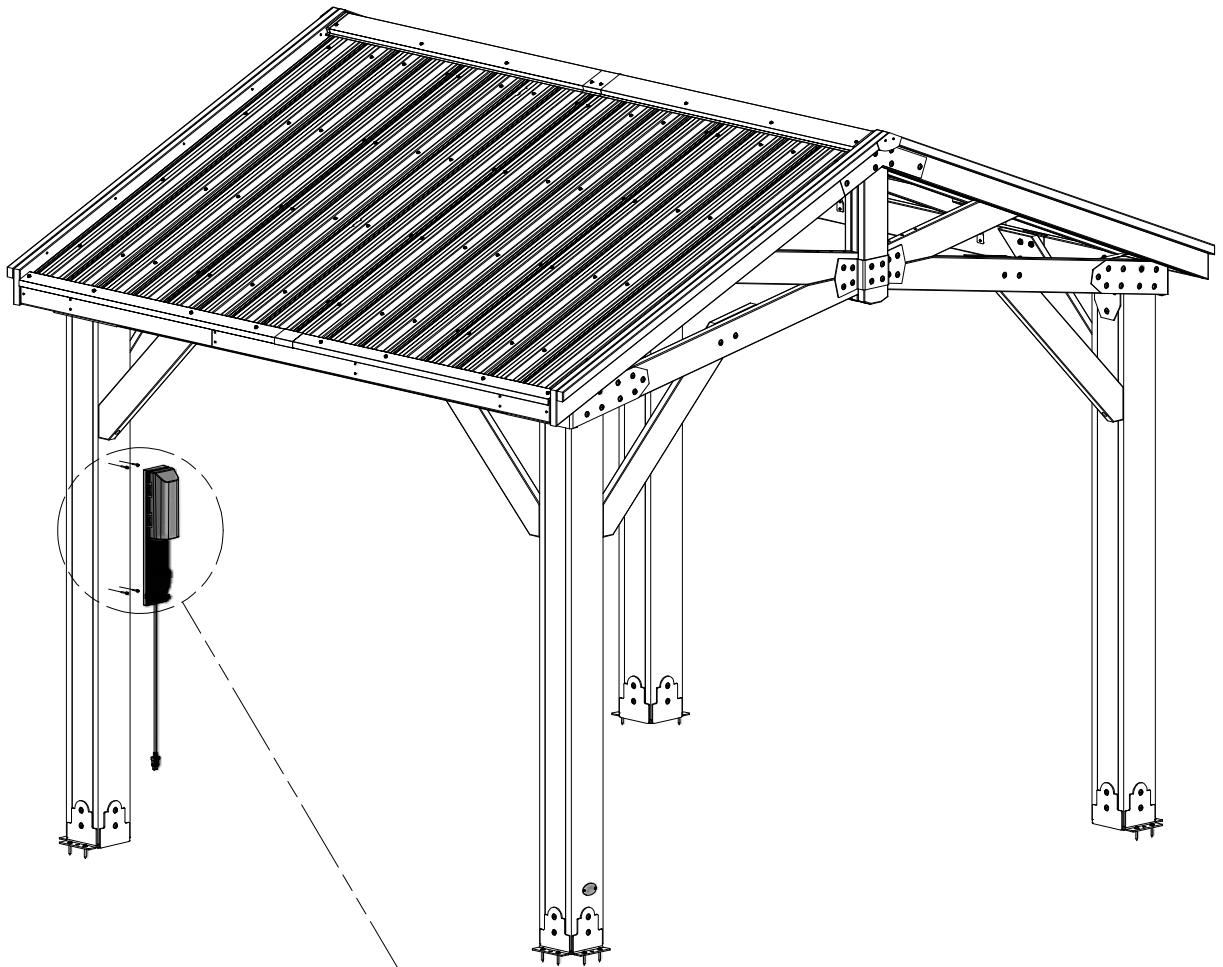


9205413 | ELECTRICAL ENCLOSURE
(x1)

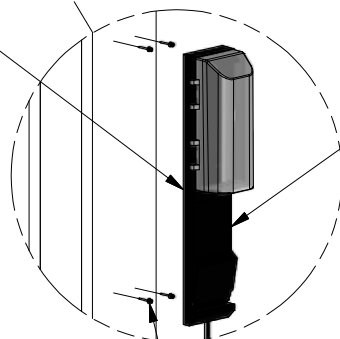


H100966 | SCREW RAISED HEAD
(x4) | 8x1 1/2

(INCLUDED WITH ELECTRICAL ENCLOSURE)



**REFER TO ELECTRICAL ENCLOSURE
MOUNTING INSTRUCTIONS.**



413 *(x1)*
ELECTRICAL ENCLOSURE

966 *(x4)*
SCREW - 1 1/2"