



MANUFACTURED BY:
Backyard Discovery
3305 Airport Drive, Pittsburg, KS 66762
800-856-4445

Basepoint Business Centre: Rivermead Drive, Westlea, Swindon SN5 7EX Phone: 0800-118-2476
J.P. Coenstraat 7, The Bridge, The Hague, 2595 WP, Netherlands Phone: 0800-567-8990

MONTPELIER

Swing Set Model # 30211F

The assembly manual must be retained
since it contains important information



WARNING

Adult Assembly Required.

Not suitable for children under 36 months due to small parts.

FOR DOMESTIC USE ONLY. INTENDED FOR OUTDOOR USE.



Please visit www.backyarddiscovery.com

For the most up to date assembly manual, to register your set, or to order replacement parts

Para obtener instrucciones en español, visite www.backyarddiscovery.com



**EASY STEP-BY-STEP
3D INTERACTIVE INSTRUCTIONS**

DOWNLOAD THE FREE APP



**INSTALLATION
SERVICES
AVAILABLE!**
See inside for details

Made in China

INS-30211F-A-MONTPELIER-ENG 01/28/22



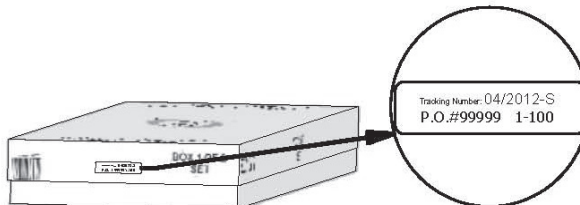
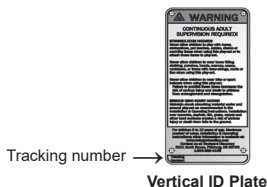
Please read entire booklet completely before beginning the assembly process

Please retain these instructions and your receipt for future reference. Keep them in a safe place where you can refer to them as needed. In order to provide you with the most efficient service, it is required that you provide us with the part numbers when ordering parts.

For Your Records:

Please take time and fill out the information below. This information will be needed for warranty issues.

Where Purchased: _____
 Date of Purchase: _____
 Installation Date: _____
 Installed by: _____
 Tracking Number: _____



Tracking Number Reference Label

Tracking ID number on the carton and on the bottom of the vertical ID plate are included for tracking purposes associated with warranty claims.

This Limited Warranty by Backyard Discovery applies to products manufactured under the Backyard Discovery brand or its other brands including but not limited to Backyard Botanical, Adventure Playsets, and Leisure Time Products.

Backyard Discovery warrants that this product is free from defect in materials and workmanship for a period of one (1) year from the original date of purchase. This one (1) year warranty covers all parts including wood, hardware, and accessories. All wood carries a five (5) year pro-rated warranty against rot and decay. Refer to the schedule below for charges associated with replacement of parts under this Limited Warranty. In addition, Backyard Discovery will replace any parts within the first 30 days from date of purchase found to be missing from or damaged in the original packaging.

This warranty applies to the original owner and registrant and is non-transferable. Regular maintenance is required to assure maximum life and performance of this product. Failure by the owner to maintain the product according to the maintenance requirements may void this warranty. Maintenance guidelines are provided in the Owner's Manual.

This Limited Warranty does not cover:

- Labor for any inspection
- Labor for replacement of any defective item(s)
- Incidental or consequential damages
- Cosmetic defects which do not affect performance or integrity of a part or the entire product
- Vandalism, improper use, failure due to loading or use beyond the capacities stated in the applicable Assembly Manual.
- Acts of nature including but not limited to wind, storms, hail, floods, excessive water exposure
- Improper installation including but not limited to installation on uneven, unlevel, or soft ground
- Minor twisting, warping, checking, or any other natural occurring properties of wood that do not affect performance or integrity

Backyard Discovery products have been designed for safety and quality. Any modifications made to the original product could damage the structural integrity of the unit leading to failure and possible injury. Modification voids any and all warranties and Backyard Discovery assumes no liability for any modified products or consequences resulting from failure of a modified product.

This product is warranted for RESIDENTIAL USE ONLY. Under no circumstance should a Backyard Discovery product be used in public settings. Such use may lead to product failure and potential injury. Any and all public use will void this warranty. Backyard Discovery disclaims all other representations and warranties of any kind, express or implied.

Pro Rated Part Replacement Schedule

<u>Product Age</u>	<u>Customer Pays</u>
All Parts	
0-30 days from date of purchase	\$0 and free shipping
31 days to 1 year	\$0 + S&H
Wood Rot and Decay Only	
1 year	\$0 and free shipping
2 year	20% + S&H
3 year	40% + S&H
4 year	60% + S&H
5 year	80% + S&H
Over 5 years	100% + S&H



NOTE:

Your Children's Safety Is Our #1 Concern!

Observe the following statements and warnings to reduce the likelihood of serious or fatal injury. Please review these safety rules regularly with your children.



WARNING: BURN HAZARD

- Pay special attention to plastic and metal surfaces as they may be hot enough to cause burns.
- Always check the temperature of the product before letting your children play on it.
- Remember that the product may cause burns if left in direct sunlight.
- Always be aware of the sun and weather conditions, and do not assume that the equipment is safe because the air temperature is not very high.

- Children **MUST NOT** use this playcenter until unit has been completely assembled and inspected by an adult to ensure set has been properly installed and anchored.
- Equipment is recommended for use by children 3 to 10 years of age.
- This Playcenter is designed for a specific number of occupants whose combined weight should not exceed the designated weight on the elevated floor or the swing area. The total unit capacity is outlined in the Basic Setup Dimensions section of instruction manual. The maximum fall height and recommended play area is also available in the Basic Setup Dimensions section of the manual.
- On-site, continuous adult supervision is **REQUIRED. MOST SERIOUS INJURIES AND DEATHS ON PLAYGROUND EQUIPMENT HAVE OCCURRED WHILE CHILDREN WERE UNSUPERVISED!**
- **DO NOT** allow children to walk close to, in front of, behind, or between moving swings or other moving playground equipment.
- **DO NOT** let children stand on swings.
- Children should **NOT** twist the chains and ropes and should not loop them over the top support bar, this could reduce the strength of the chain or rope.
- **DO NOT** let children push empty seats. The seat could hit them and cause serious injury.
- Instruct and teach children to sit in the center of the swings with their full weight on the seats.
- **DO NOT** allow children to use the equipment in a manner other than intended.
- Instruct children **NOT** to get off equipment while it is in motion.
- Instruct children to **ALWAYS** go down slides feetfirst. Never slideheadfirst.
- Instruct children to **LOOK** before they slide to make sure no one is at the bottom.
- **DO NOT** allow children to run up a slide, as this increases their chances of falling.
- **DRESS CHILDREN APPROPRIATELY.** (Examples would include wearing well-fitting shoes and the avoidance of ponchos, scarfs, and other loose-fitting clothing that is potentially hazardous while using equipment).
- **DO NOT** allow children to climb when the equipment is wet.
- Children should **NEVER** jump from a fort deck. They should always use the ladder, ramp or slide.
- Children should **NEVER** be allowed to crawl or walk across the top of monkey bars.
- **DO NOT** allow children to crawl on top of a fort roof.
- Verify that any suspended climbing ropes, chain, or cable are secured at both ends and that they cannot be looped back on themselves as to create an entanglement hazard.
- **DO NOT** let children attach items to the playground equipment that are not specifically designed for use with the equipment. Items such as, but not limited to, jump ropes, clothesline, pet leashes, cables and chain can cause a strangulation hazard.
- Children should **NEVER** wrap their legs around swing chain.
- **DO NOT** allow children to slide down the swing chain.
- Instruct children to remove their bike or other sports helmet before playing on playground equipment.
- **NEVER** add extra length to chain or rope. The chains or ropes provided are the maximum length designed for the swinging element(s).

Modifications

- Modifications made by the consumer to the original activity toy shall be carried out according to the instructions of the manufacturer. In particular, instructions shall be provided with kit/accessory about the installation of rope/nets concerning the minimum diameter, the need for fixation at both ends, overall length, and positioning in relation to other structures.



Positioning Your Playcenter

- The playcenter is designed to be installed on a level surface by an adult with an adult helper. Place in a flat area of your yard to minimize ground preparation.
- Choose a level location for the equipment. This can reduce the likelihood of the play set tipping over and loose-fill surfacing material washing away during heavy rains.
- Place the equipment not less than 6'-7" (2.0 m) from any structure or obstruction such as a fence, garage, house, overhanging branches, laundry lines, or electrical wires.
- Provide enough room so that the children can use the equipment safely. For example, for structures with multiple play activities, a slide should not exit in front of a swing.
- It is a good idea to place your playcenter in an area that is convenient for adults to watch children at play.
- Create a site free of obstacles that could cause injuries – such as low overhanging tree branches, overhead wires, tree stumps and/or roots, large rocks, bricks and concrete. Additional suggestions in the Suggested Playground Surfacing Section.
- Do not build your playset on top of surfacing material.
- Locate bare metal platforms and slides out of direct sunlight to reduce the likelihood of serious burns. A slide that faces north will receive the least direct sunlight.
- Separate active and quiet activities from each other. For example, locate sandboxes away from swings or use a guardrail or barrier to separate the sandbox from the movement of the swings.

Suggested Playground Surfacing

- Do not install home playground equipment over concrete, asphalt, packed earth, grass, carpet, or any other hard surface. A fall onto a hard surface can result in serious injury to the equipment user.
- Do not install loose fill surfacing over hard surfaces such as concrete or asphalt.
- Shredded bark mulch, wood chips, fine sand and fine gravel, are added as shock absorbing materials after assembly. If used properly these materials can absorb some of the impact of a child's fall.
- All surface material should extend a minimum of 6'-7" (2.0 m) feet in all directions around the play area.
- Do not apply playground surfacing until after the unit is completely constructed. Playset should not be built on top of surfacing.
- Use containment, such as digging out around the perimeter and/or lining the perimeter with landscape edging.
- Installations of rubber tiles or poured-in-place surfaces (other than loose-fill materials) generally require a professional and are not "do-it-yourself" projects.
- Shall use Playground Surfacing Materials (other than loose-fill material) which comply with the safety standard ASTM F1292 Standard Specification of Impact Attenuation of Surfacing Materials within the Use Zone of Playground Equipment.
- Anchors shall be placed as instructed to reduce tipping hazards.

The following chart explains the fall height in feet from which a life threatening head injury would not be expected

Critical Heights in feet (m) of Tested Materials

Material	Uncompressed Depth			Compressed Depth to 9" (228mm)
	6" (152mm)	9" (228mm)	12" (304mm)	
Wood Chips	7' (2.13m)	10-12' (3.0-3.6m)	11' (3.35m)	10' (3.05m)
Double-Shredded Bark Mulch	6' (1.83m)	10-12' (3.0-3.6m)	11' (3.35m)	7' (2.13m)
Engineered Wood Fibers	6' (1.83m)	7' (2.13m)	>12' (3.66m)	6' (1.83m)
Fine Sand	5' (1.52m)	5' (1.52m)	9' (2.74m)	5' (1.52m)
Coarse Sand	5' (1.52m)	5' (1.52m)	6' (1.83m)	4' (1.22m)
Fine Gravel	5' (1.52m)	7' (2.13m)	10' (3.05m)	6' (1.83m)
Medium Gravel	5' (1.52m)	5' (1.52m)	6' (1.83m)	5' (1.52m)
Shredded Tires*	10-12' (3.0-3.6m)	N/A	N/A	N/A

*This data is from tests conducted by independent testing laboratories on a 6-inch depth of uncompressed shredded tire samples produced by four manufacturers. The tests reported critical heights, which varied from 10 feet to greater than 12 feet. It is recommended that persons seeking to install shredded tires as a protective surface request test data from the supplier showing the critical height of the material when it was tested in accordance with ASTM F1292.



APPENDIX A

The following information is from the United States Consumer Product Safety Commission's Information Sheet for playground surfacing material; also see the following website for additional information: www.cpsc.gov

X3. SECTION 4 OF THE CONSUMER PRODUCT SAFETY COMMISSION'S OUTDOOR HOME PLAYGROUND SAFETY HANDBOOK⁹

X3.1 Select Protective Surfacing—One of the most important things you can do to reduce the likelihood of serious head injuries is to install shock-absorbing protective surfacing under and around your play equipment. The protective surfacing should be applied to a depth that is suitable for the equipment height in accordance with ASTM Specification F 1292. There are different types of surfacing to choose from; whichever product you select, follow these guidelines:

X3.1.1 Loose-Fill Materials:

X3.1.1.1 Maintain a minimum depth of 9 inches of loose-fill materials such as wood mulch/chips, engineered wood fiber (EWF), or shredded/recycled rubber mulch for equipment up to 8 feet high; and 9 inches of sand or pea gravel for equipment up to 5 feet high. NOTE: An initial fill level of 12 inches will compress to about a 9-inch depth of surfacing overtime. The surfacing will also compact, displace, and settle, and should be periodically refilled to maintain at least a 9-inch depth.

X3.1.2 Use a minimum of 6 inches of protective surfacing for play equipment less than 4 feet in height. If maintained properly, this should be adequate. (At depths less than 6 inches, the protective material is too easily displaced or compacted.)

NOTE: Do not install home playground equipment over concrete, asphalt, or any other hard surface. A fall onto a hard surface can result in serious injury to the equipment user. Grass and dirt are not considered protective surfacing because wear and environmental factors can reduce their shock absorbing effectiveness. Carpeting and thin mats are generally not adequate protective surfacing. Ground level equipment such as a sandbox, activity wall, playhouse or other equipment that has no elevated play surface – does not need any protective surfacing.

X3.1.3 Use containment, such as digging out around the perimeter and/or lining the perimeter with landscape edging. Don't forget to account for water drainage.

X3.1.3.1 Check and maintain the depth of the loose-fill surfacing material. To maintain the right amount of loose-fill materials, mark the correct level on play equipment support posts. That way you can easily see when to replenish and/or redistribute the surfacing.

X3.1.3.2 Do not install loose-fill surfacing over hard surfaces such as concrete or asphalt.

X3.1.4 Poured-In-Place Surfaces or Pre-Manufactured Rubber Tiles — You may be interested in using surfacing other than loose-fill materials – like rubber tiles or poured-in-place surfaces.

X3.1.4.1 Installations of these surfaces generally require a professional and are not “do-it-yourself” projects.

X3.1.4.2 Review surface specification before purchasing this type of surfacing. Ask the installer/manufacturer for a report showing that the product has been tested to the following safety standard: ASTM F 1292 Standard Specification for Impact Attenuation of Surfacing Materials within the Use Zone of Playground Equipment. This report should show the specific height for which the surface is intended to protect against serious head injury. This height should be equal to or greater than the fall height – vertical distance between a designated play surface (elevated surface for standing, sitting, or climbing) and the protective surfacing below – of your play equipment

X3.1.4.3 Check the protective surfacing frequently for wear.

X3.1.5 Placement — Proper placement and maintenance of protective surfacing is essential. Be sure to:

X3.1.5.1 Extend surfacing at least 6 feet from the equipment in all directions.

X3.1.5.2 For to-fro swings, extend protective surfacing in front of and behind the swing to a distance equal to twice the height of the top bar from which the swing is suspended.

⁹This information has been extracted from the CPSC publications “Playground Surfacing — Technical Information Guide” and “Handbook for Public Playground Safety.” Copies of these reports can be obtained by sending a postcard to the: Office of Public Affairs, U.S. Consumer Product Safety Commission, Washington, D.C., 20207 or call the toll-free hotline: 1-800-638-2772.

The American Society for Testing and Materials takes no position respecting the validity of any parent right asserted in connection with any item mentioned in this standard. Users of this standard are expressly advised that determination of the validity of any such parent rights, and the risk of infringement of such rights, are entirely their own responsibility.

The standard is subject to revision at any time by the responsible technical committee and must be reviewed every five years and if not revised, either approved or withdrawn. Your comments are invited either for revision of this standard or for additional standards and should be addressed to ASTM Headquarters. Your comments will receive careful consideration at a meeting of the responsible technical committee, which you may attend. If you feel that your comments have not received a fair hearing you should make your views known to the ASTM Committee on Standards. 100 Barr Harbor Drive, West Conshohocken, PA 19428.



IT IS IMPORTANT TO CHECK AND TIGHTEN ALL HARDWARE AT THE BEGINNING AND DURING THE SEASON AS THEY MAY LOOSEN DUE TO WOOD EXPANSION AND CONTRACTION.

At the beginning of each play season

- Tighten all hardware.
- Lubricate all metallic moving parts per manufacturer's instructions.
- Check all protective coverings on bolts, pipes, edges, and corners. Replace if they are loose, cracked, or missing.
- Check all moving parts including swing seats, ropes, cables, and chains for wear, rust, or other deterioration. Replace as needed.
- Check metal parts for rust. If found, sand and repaint using a non lead-based paint meeting the requirements of 16 CFR 1303.
- Check all wood members for deterioration and splinters. Sand down splinters and replace deteriorating wood members.
- Reinstall any plastic parts, such as swing seats or any other items that were removed for the cold season.
- Rake and check depth of loose fill protective surfacing materials to prevent compaction and to maintain appropriate depth. Replace as necessary.

Twice a month during play season

- Tighten all hardware.
- Check all protective coverings on bolts, pipes, edges, & corners. Replace if they are loose, cracked, or missing.
- Rake and check depth of loose fill protective surfacing materials to prevent compaction and to maintain appropriate depth. Replace as necessary.

Once a month during play season.

- Lubricate all metallic moving parts per manufacturer's instructions.
- Check all moving parts including swing seats, ropes, cables, and chains for wear, rust, or other deterioration. Replace as needed.

At the end of each season or when the temperature drops below 32° F

- Remove plastic swing seats and other items as specified by the manufacturer and take indoors or do not use.
- Rake and check depth of loose fill protective surfacing materials to prevent compaction and to maintain appropriate depth. Replace as necessary.

Additional Maintenance

- Check the swing beam and hardware every two weeks due to wood expansion and contraction. It is particularly important that this procedure be followed at the beginning of each season.
- Inspect wood parts monthly. The grain of the wood sometimes will lift in the dry season causing splinters to appear. Light sand may be necessary to maintain a safe playing environment. Treat your playset with stain regularly, to help prevent severe checking/splitting and other weather damage.
- A waterborne transparent stain has been applied to your playset. This is done for color only. Once or twice a year, depending on your climate conditions, you must apply some type of protection (sealant) to the wood of your unit. Prior to the application of sealant, lightly sand any "rough" spots on your playset. Please note this is a requirement of your warranty.
- Assembling and maintaining the playset on a level location is very important. As your children play, your playset will slowly dig its way into the soil, and it is very important that it settles evenly. Make sure the playset is level and true one each year or at the beginning of each play season.

Disposal Instructions

When the Playcenter use is no longer desired, it should be disassembled and disposed of in such a way that no unreasonable hazards will exist at the time the unit is discarded.

Third Party Assembly

Customer may, in their sole discretion, elect to use a third party person or service to assemble this product. Backyard Discovery assumes no responsibility or liability for any charge incurred by the Customer for any assembly services'. Please see our warranty for more information about damaged and missing part replacement coverage. Backyard Discovery will not reimburse Customer for the price of parts purchased.

- Modifications made by the consumer to the original activity to be carried out according to the instructions of the manufacturer. The instructions shall be provided with kit/accessory about the installation of rope/nets concerning the minimum diameter, the need for fixed ends, overall length, and positioning in relation to other structures.

OWNERS SHALL BE RESPONSIBLE FOR MAINTAINING THE LEGIBILITY OF THE WARNING LABELS



Your Backyard Discovery structure is designed and constructed of quality materials. As with all outdoor products it will weather and wear. To maximize the enjoyment, safety and life of your structure it is important that you properly maintain it.

About Our Wood

Backyard Discovery uses 100% Cedar (C. Lanceolata) wood. Although we take great care in selecting the best quality lumber available, wood is still a product of nature and susceptible to weathering which can change the appearance of your set.

What causes weathering? Does it affect the strength of my product?

One of the main reasons for weathering is the effects of water (moisture); the moisture content of the wood at the surface is different than the interior of the wood. As the climate changes, moisture moves in or out of the wood, causing tension which can result in checking and or warping. You can expect the following due to weathering. These changes will not affect the strength of the product:

1. Checking is surface cracks in the wood along the grain. A post (4" x 4") will experience more checking than a board (1" x 4") because the surface and interior moisture content will vary more widely than in thinner wood.

2. Warping results from any distortion (twisting, cupping) from the original plane of the board and often happens from rapid wetting and drying of the wood.

3. Fading happens as a natural change in the wood color as it is exposed to sun-light and will turn grey over time.

How can I reduce the amount of weathering to wood product?

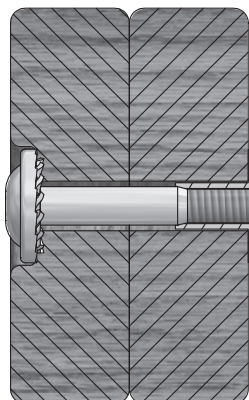
1. Your wood product is coated with a water-based stain. Sunlight will break down the coating, so we recommend applying a water repellent or stain on a yearly basis (see your local stain and paint supplier for a recommended product). You must apply some type of protection (sealant) to the wood of your product. **Please note this is a requirement of your warranty.** Most weathering is just the normal result of nature and will not affect safety. However if you are concerned that a part has experienced a severe weathering problem please call our customer service department for further assistance.

2. Inspect wood parts monthly. The grain of the wood sometimes will lift in the dry season causing splinters to appear. Light sanding may be necessary to maintain a safe environment. Treating your Product with protection (sealant) after sanding will help prevent severe checking/splitting and other weather damage.



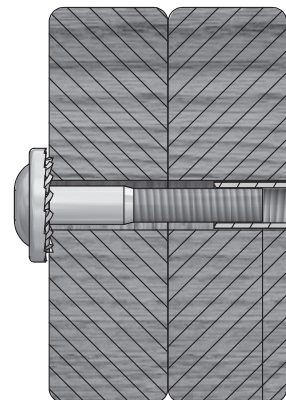
Protrusion Hazard

Incorrect



If you see exposed threads and your bolt protrudes beyond the T-Nut you may have over tightened the bolt or used incorrect hardware. If you've overtightened, remove the bolt and add washers to eliminate the protrusion.

Correct

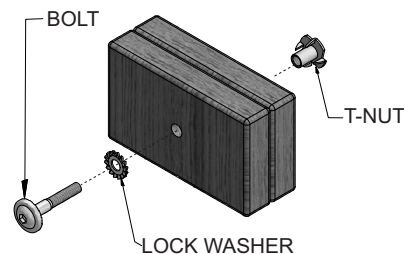


1/8"

Proper Hardware Assembly

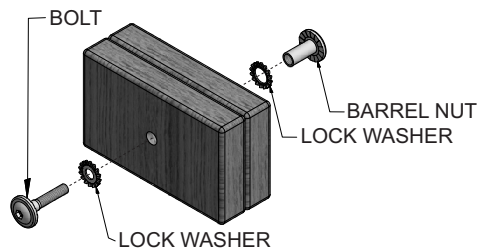
Bolt and T-Nut Assembly

Tap T-nut into the provided hole. Insert your bolt through the lock washer and insert into the provided hole opposite from the T-Nut. Turn clockwise to thread into T-nut. Do not completely tighten until instructed.



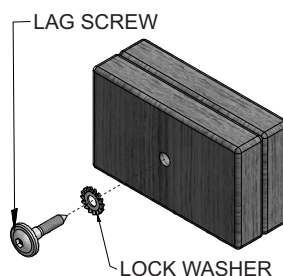
Bolt and Barrel Nut Assembly

Insert barrel nut through the lock washer and press the pair through the provided hole. Insert your bolt through the second lock washer and insert the pair into the provided hole opposite from the barrel nut. Turn clockwise to thread into the barrel nut. Do not completely tighten until instructed.



Lag Assembly

Normally there will be a pre-drilled pilot hole on assemblies that require a Lag Screw. If there is no pilot hole, line up the two boards as they are to be attached and use the factory drilled hole as a guide to drill another pilot hole into the adjoining board. This will keep the wood from splitting. Only a lock washer is required for steps with Lag Screws.

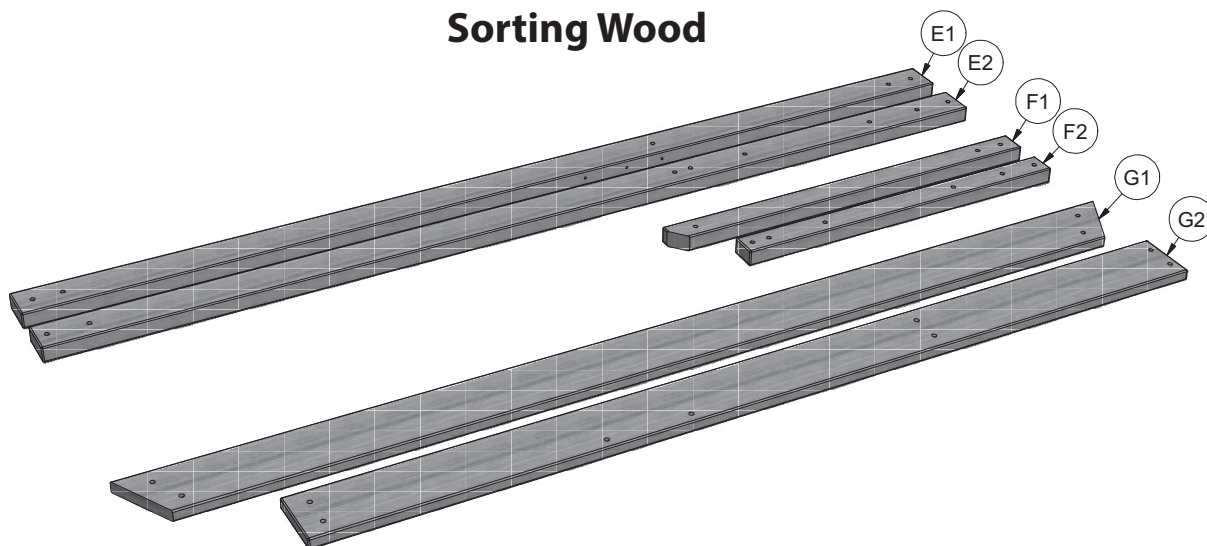




ASSEMBLY TIP:

Keep an eye out for these boxes which will contain helpful pictures and information making the assembly process as quick and painless as possible.

Sorting Wood



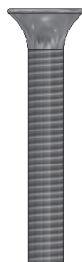
When removing the wood from the boxes we recommend arranging them by part number before you begin assembly. This will allow for faster assembly and easily identify any parts that may be missing or damaged.

Sorting Hardware

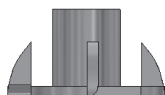
NUT BARREL
H100545



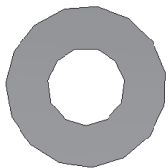
SCREW
H100695



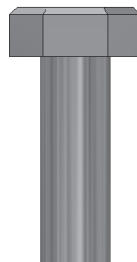
T-NUT
H100699



WASHER FLAT
H100706



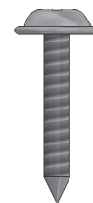
BOLT HEX
H100716



BOLT
H100718



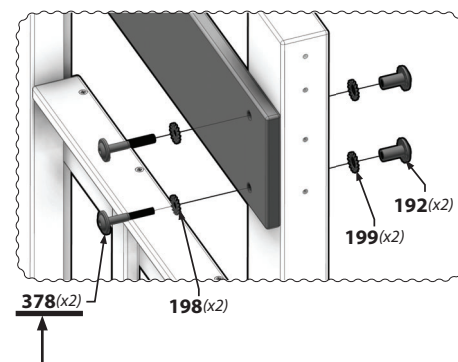
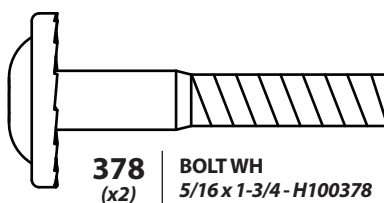
SCREW PWH
H100742

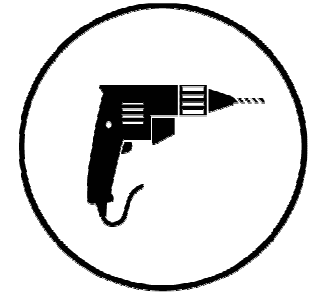
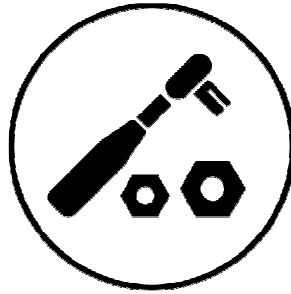
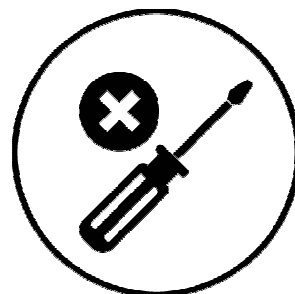
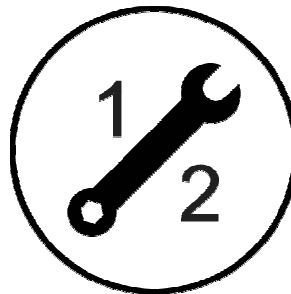
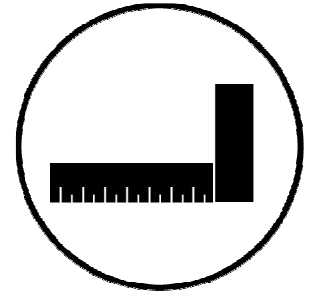
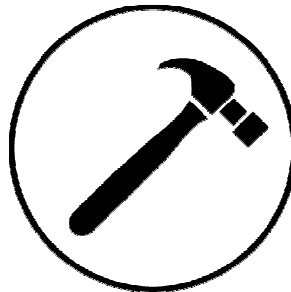
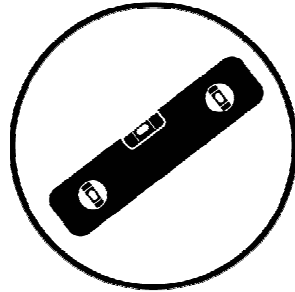


To help with assembly we recommend sorting your hardware bags with the seven digit alpha-numeric number printed on the bags or by hardware type (i.e. bolts, nuts, etc.). Organizing your hardware will make assembly easier.

Hardware Identification

Hardware bags are printed with a seven digit alpha-numeric part number. During assembly you only need to reference the last three digits of the part number as noted in each step. This will make finding the correct hardware easier.





Icons and their uses you will see throughout this manual



You will need to make sure that your assembly is square before tightening your bolts.



For proper assembly you will need to ensure that your structure is level before proceeding to the next step.



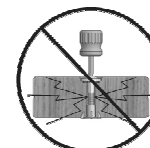
Some steps in the assembly process will require an extra set of hands. Make sure you have a helper available.



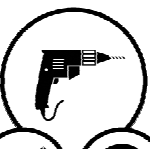
This icon shows the size of an open ended wrench. Using the wrench as the fraction bar.



When you see this icon you will need a socket wrench. The icons below show the size of attachments needed for assembly 1/2.



This icon warns you to not over tighten your bolts. This is to prevent structural damage and also splintering your wood.



This icon will show you what drill attachments are needed. For this example you will need a Phillips head attachment and 3/8 socket.

Owner's Manual - Basic Setup Dimensions & Assembly Notes

Place the set on level ground, not less than 6'-7" [2 m] from any structure or obstruction such as a fence, garage, house, overhanging branches, laundry lines, or electrical wires.

- While assembling unit, take time before and after each phase to make sure fort is level. If fort is not level, assembly will be difficult and improper assembly may result. Extra care must be taken to insure the fort is square.
- The safe play area refers to a zone extending 6'-7" (2 m) beyond the play product on all sides, including the space above the play product.

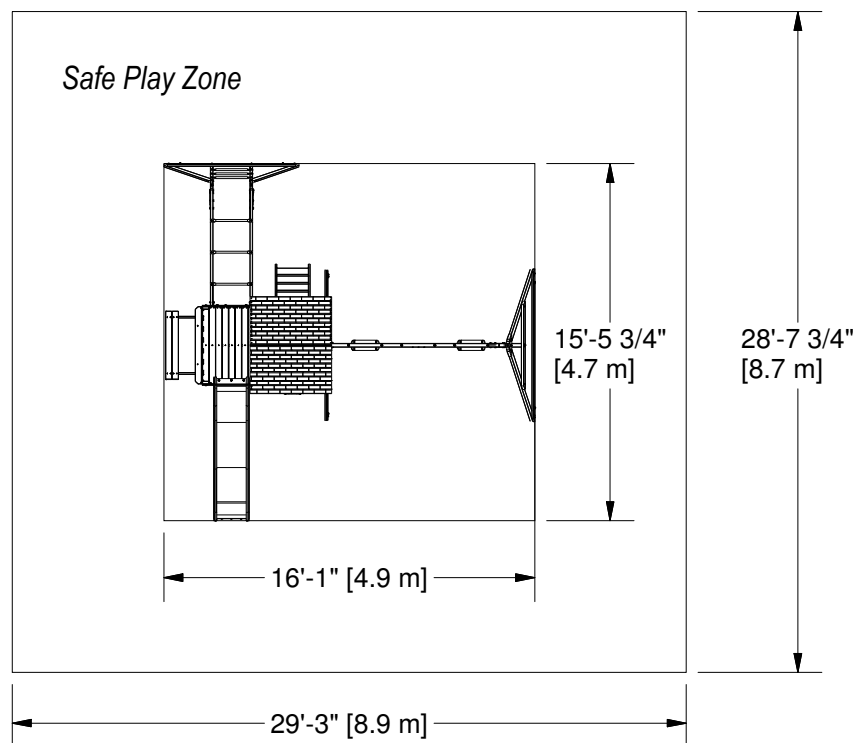
SAFE PLAY AREA DIAGRAM

Ground Dimensions

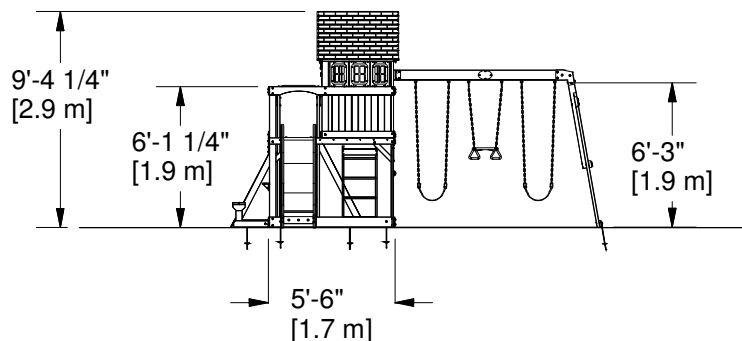
16'-1" [4.9] x 15'-5 3/4" [4.7] x 9'-4 1/4" [2.8]

Safe Play Area

29'-3" [8.9] x 28'-7 3/4" [8.7] x 15'-11 1/4" [4.9]



SAFE PLAY HEIGHT: 15'-11 1/4" [4.9 m]
MAXIMUM FALL HEIGHT: 6' 3" [1.9 m]



General Information:

Your set has been designed and engineered for children only and for residential use only.
A maximum of 150 lbs. per child is recommended for play activities designed for individual use.
A maximum of 120 lbs. per child is recommended for play activities designed for multiple child use.
A maximum of 9 children is recommended for this swing set.

Owner's Manual - Parts Identification

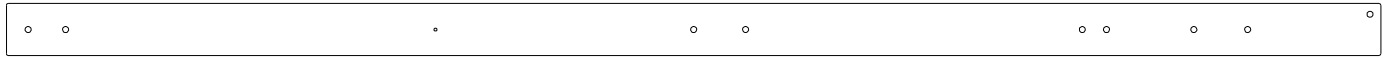
Wood Components (Not to Scale)



E1 | UPRIGHT - W2A03132
(x1) | 1 3/8"x3 3/8"x89 1/2" (36x86x2274)



E2 | UPRIGHT - W4L14532
(x1) | 1 3/8"x3 3/8"x73 1/8" (36x86x1856)



E3 | UPRIGHT - W4L14533
(x1) | 1 3/8"x3 3/8"x89 1/2" (36x86x2274)



E4 | CLUB HOUSE LEG - W4L14534
(x1) | 1 3/8"x3 3/8"x43 1/8" (36x86x1094)



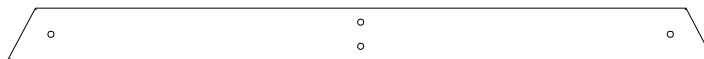
E5 | UPRIGHT - W4L14535
(x1) | 1 3/8"x3 3/8"x73 1/8" (36x86x1856)



E6 | MONKEY BAR UPRIGHT - W4L14536
(x2) | 1 3/8"x3 3/8"x71 3/8" (36x86x1812)



E8 | CLUB HOUSE LEG - W4L14537
(x1) | 1 3/8"x3 3/8"x43 1/8" (36x86x1094)



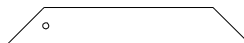
E50 | END SUPPORT - W4L14538
(x1) | 1 1/2"x3 1/2"x46" (36x86x1168)



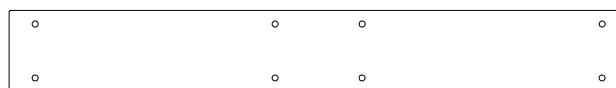
E71 | MONKEY BAR RAIL - W4L14539
(x2) | 1 3/8"x3 3/8"x60 5/8" (36x86x1539)



E77 | ANGLE BRACE - W4L14540
(x2) | 1 3/8"x3 3/8"x81" (36x86x2056)



F1 | DECK BRACE - W4L14541
(x6) | 1"x2 3/8"x15 3/4" (24x60x400)



G1 | SWING BEAM MOUNT - W4L14542
(x1) | 1"x5 1/4"x40 3/8" (24x134x1024)



G2 | WALL RAIL - W4L14611
(x2) | 1"x4 3/8"x40 3/4" (24x112x1034)



H1 | TABLE SUPPORT - W4L14543
(x2) | 1"x2"x4" (24x51x102)

Owner's Manual - Parts Identification

Wood Components (Not to Scale)



H2 | MONKEY BAR BRACE - W4L14544
(x2) | 1"x3 3/8"x51 1/2" (24x86x1308 mm)



H3 | MONKEY BAR GROUND BOARD - W4L14545
(x1) | 1"x3 3/8"x70 3/8" (24x86x1786)



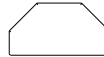
H6 | ANGLE BRACE - W4L14549
(x2) | 15/16"x3 3/8"x47" (24x86x1194)



H7 | BENCH GROUND BOARD - W4L14546
(x2) | 1"x3 3/8"x18 1/8" (24x86x460)



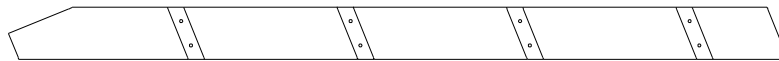
H8 | BENCH UPRIGHT - W4L14547
(x2) | 1"x3 3/8"x11 3/4" (24x86x300)



H9 | BENCH SEAT SUPPORT - W4L14548
(x2) | 1"x3 3/8"x6 1/2" (24x86x166)



H11 | BENCH SEAT - W4L14555
(x2) | 1"x3 3/8"x35 3/8" (24x86x900)



H74 | LEFT UPRIGHT - W4L14550
(x1) | 1"x3 3/8"x50 3/4" (24x86x1290)



H75 | RIGHT UPRIGHT - W4L14551
(x1) | 1"x3 3/8"x50 3/4" (24x86x1290)



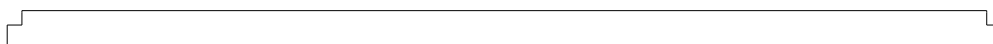
H80 | GROUND BOARD - W4L14552
(x1) | 1"x3 3/8"x79 1/2" (24x86x2018)



H81 | LADDER RUNG - W4L14554
(x4) | 1"x3 3/8"x17 1/8" (24x86x434)



H82 | ATTACHMENT BOARD - W4L14553
(x1) | 1"x3 3/8"x18 1/4" (24x86x462)



J1 | JOIST - W4L14556
(x1) | 1"x2 3/8"x64 3/4" (24x60x1644)

Owner's Manual - Parts Identification

Wood Components (Not to Scale)



K1 | GROUND BOARD - W4L14557
(x2) | 5/8"x5 1/4"x64 3/4" (16x134x1644)



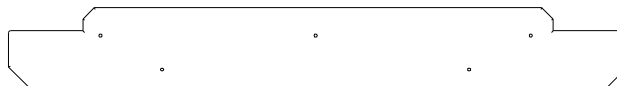
K2 | GROUND BOARD - W4L14558
(x1) | 5/8"x5 1/4"x40 3/8" (16x134x1024)



K3 | FLOOR SUPPORT - W4L14559
(x1) | 5/8"x5 1/4"x40 3/8" (16x134x1024)



K4 | GROUND BOARD - W4L14560
(x1) | 5/8"x5 1/4"x78 1/4" (16x134x1986)



K5 | COUNTER TOP - W4L14561
(x1) | 5/8"x5 1/4"x40 3/8" (16x134x1024)



K6 | WALL BOARD - W4L14562
(x1) | 5/8"x5 1/4"x16 1/4" (16x134x412)



L1 | WALL RAIL - W4L14563
(x1) | 5/8"x4 3/8"x40 3/8" (16x112x1024)



L2 | WALL RAIL - W4L14564
(x1) | 5/8"x4 3/8"x64 3/4" (16x112x1644)



L3 | WALL RAIL - W4L14565
(x1) | 5/8"x4 3/8"x64 3/4" (16x112x1644)



L4 | WALL RAIL - W4L14566
(x1) | 5/8"x4 3/8"x40 3/8" (16x112x1024)



L5 | CLUB HOUSE WALL RAIL - W4L14567
(x1) | 5/8"x4 3/8"x40 3/8" (16x112x1024)



L6 | BAY WINDOW HEADER - W4L14568
(x2) | 5/8"x4 3/8"x30 1/2" (16x112x774)

Owner's Manual - Parts Identification

Wood Components (Not to Scale)



L7 | DOOR BOARD - W4L14569
(x1) | 5/8"x4 3/8"x35" (16x110x890)



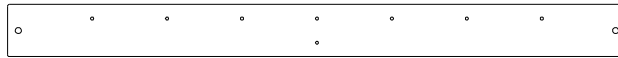
L8 | DOOR BOARD - W4L14570
(x1) | 5/8"x4 3/8"x35" (16x110x890)



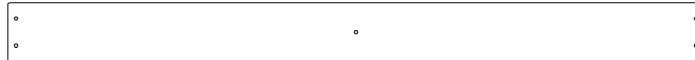
M1 | FLOOR SUPPORT - W4L14571
(x1) | 5/8"x3 3/8"x64 3/4" (16x86x1644)



M2 | FLOOR SUPPORT - W4L14572
(x2) | 5/8"x3 3/8"x40 3/8" (16x86x1024)



M3 | FLOOR SUPPORT - W4L14573
(x1) | 5/8"x3 3/8"x40 3/8" (16x86x1024)



M4 | FLOOR BOARD - W4L14574
(x2) | 5/8"x3 3/8"x40 3/8" (16x86x1024)



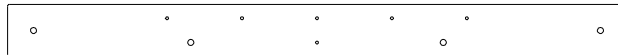
M5 | FLOOR BOARD - W4L14575
(x1) | 5/8"x3 3/8"x40 3/8" (16x86x1024)



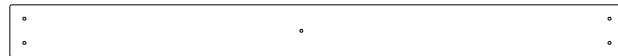
M6 | FLOOR BOARD - W4L14576
(x1) | 5/8"x3 3/8"x37 1/2" (16x86x952)



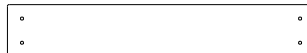
M7 | FLOOR SUPPORT - W4L14577
(x1) | 5/8"x3 3/8"x40 3/8" (16x86x1024)



M8 | FLOOR SUPPORT - W4L14578
(x1) | 5/8"x3 3/8"x40 3/8" (16x86x1024)



M9 | WALL BOARD - W4L14579
(x2) | 5/8"x3 3/8"x40" (16x86x1016)



M10 | WALL BOARD - W4L14580
(x9) | 5/8"x3 3/8"x20" (16x86x508)



M11 | FLOOR SUPPORT - W4L14581
(x1) | 5/8"x3 3/8"x37 1/2" (16x86x951)



M12 | WALL BOARD - W4L14582
(x9) | 5/8"x3 3/8"x38 7/8" (16x86x986)

Owner's Manual - Parts Identification

Wood Components (Not to Scale)



M13 | WALL BOARD - W4L14583
(x9) | 5/8"x3 3/8"x22" (16x86x558)



M14 | WALL BOARD - W4L14584
(x1) | 5/8"x3"x36 1/2" (16x76x926)



M15 | WALL RAIL - W4L14585
(x2) | 5/8"x3 3/8"x8 1/2" (16x86x216)



M16 | WALL RAIL - W4L14586
(x2) | 5/8"x3 3/8"x40 3/8" (16x86x1024)



M17 | WALL RAIL - W4L14587
(x1) | 5/8"x3 3/8"x6 3/4" (16x86x173)



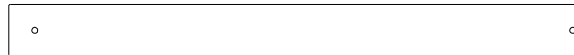
M18 | WALL RAIL - W4L14588
(x1) | 5/8"x3 3/8"x4 3/4" (16x86x122)



M19 | WALL BOARD - W4L14589
(x2) | 5/8"x3 3/8"x40 5/8" (16x86x1032)



M20 | WALL BOARD - W4L14590
(x2) | 5/8"x3 3/8"x16 1/4" (16x86x412)



M21 | WALL RAIL - W4L14591
(x2) | 5/8"x3 3/8"x37 1/2" (16x86x951)



M22 | WALL BOARD - W4L14592
(x1) | 5/8"x2 7/8"x38 7/8" (16x73x986)



M23 | DOOR BOARD - W4L14593
(x2) | 5/8"x3 3/8"x35 3/4" (16x86x908)



M24 | DOOR BOARD - W4L14594
(x2) | 5/8"x3 3/8"x21 1/4" (16x86x540)



M25 | DOOR BOARD - W4L14595
(x2) | 5/8"x3 3/8"x6 1/4" (16x86x160)



M26 | WALL BOARD - W4L14596
(x8) | 5/8"x3 3/8"x3 1/2" (16x86x88)



M27 | ROOF RAFTER - W4L14597
(x4) | 5/8"x3 3/8"x34 1/4" (16x86x871)

Owner's Manual - Parts Identification

Wood Components (Not to Scale)



M30 | FLOOR SUPPORT - W4L14598
(x1) | 5/8"x3 3/8"x64 3/4" (16x86x1644)



M31 | GABLE BOARD - W4L14599
(x2) | 5/8"x3 3/8"x31 1/2" (16x86x800)



M33 | WALL BOARD - W4L14600
(x1) | 5/8"x3"x36 1/2" (16x76x926)



M34 | FILLER BOARD - W4L14617
(x1) | 5/8"x1 3/4"x33 1/2" (16x45x851)



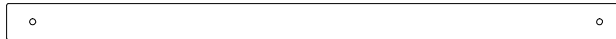
M77 | SLIDE BRACE - W4L08748
(x1) | 5/8"x3 3/8"x17 1/4" (16x86x438)



M78 | CENTER SLIDE BRACE - W4L08749
(x2) | 5/8"x3 3/8"x17 1/4" (16x86x438)



M102 | REAR SUPPORT - W4L14601
(x1) | 5/8"x3 3/8"x18 1/4" (16x86x462)



N1 | SAFETY BOARD - W4L14602
(x1) | 5/8"x2 3/8"x40 3/8" (16x60x1024)



N2 | PICKET - W4L14603
(x6) | 5/8"x2 3/8"x22" (16x60x558)



N3 | WALL BOARD - W4L14604
(x1) | 5/8"x2"x22" (16x50x558)



N4 | BAY WINDOW BOARD - W4L14605
(x6) | 5/8"x2 3/8"x13 1/8" (16x60x332)



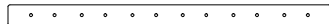
N5 | BAY WINDOW BOARD - W4L14606
(x6) | 5/8"x2 3/8"x6 1/4" (16x60x158)



N7 | BENCH CLEAT - W4L14607
(x1) | 5/8"x2 3/8"x5 1/8" (16x60x130)



N9 | DOOR STOP - W4L14608
(x1) | 5/8"x2 3/8"x8 3/4" (16x60x222)



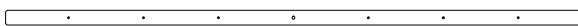
O1 | DOOR CLEAT - W4L14609
(x3) | 5/8"x1 3/8"x21" (16x34x534)



O2 | WALL BOARD - W4L14610
(x2) | 5/8"x1 3/8"x15 1/2" (16x34x395)



S1 | FLOOR SUPPORT - W4L14612
(x2) | 1"x1"x59 7/8" (24x24x1522)



S2 | FLOOR SUPPORT - W4L14613
(x1) | 1"x1"x37 1/2" (24x24x952)



S3 | FLOOR SUPPORT - W4L14614
(x1) | 1"x1"x33 1/2" (24x24x852)

Owner's Manual - Parts Identification

Wood Components (Not to Scale)



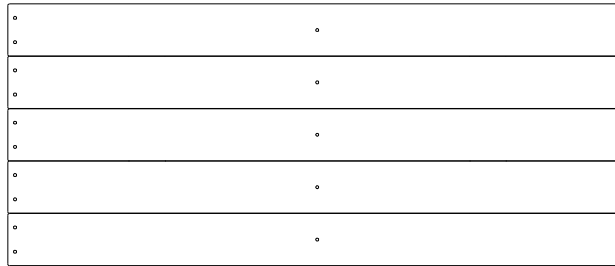
SB74 | SWING BEAM EXTENDED - W4L06925
(x1) | 2"x5 1/4"x89 1/2" (50x134x2274)



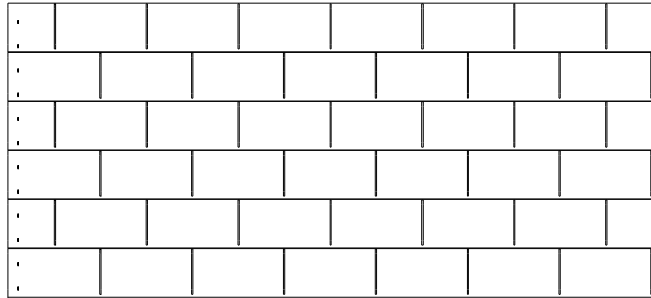
W71 | SWING BEAM SUPPORT - W4L14615
(x1) | 2"x3 3/8"x50 3/8" (50x86x1280)



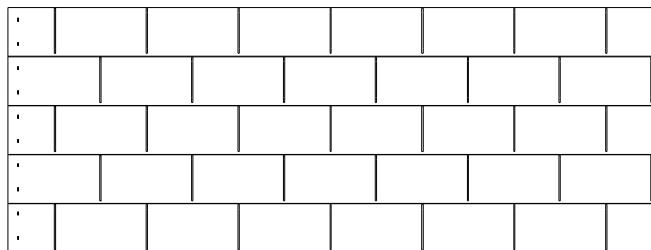
Y1 | WALL BOARD - W4L14616
(x2) | 5/8"x4"x34 5/8" (16x102x880)



FP1 | FLOOR PANEL - W2A03131
(x3) | 1 1/4"x17"x40 5/16" (32x432x1024)



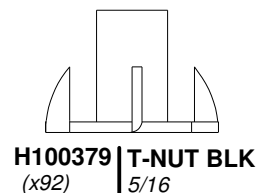
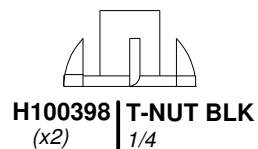
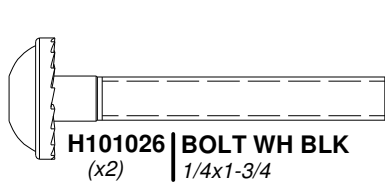
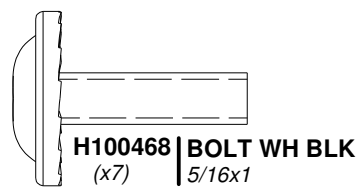
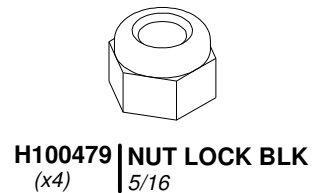
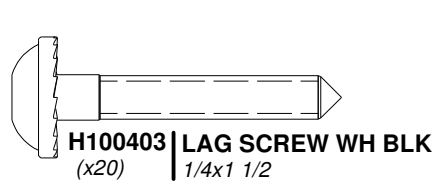
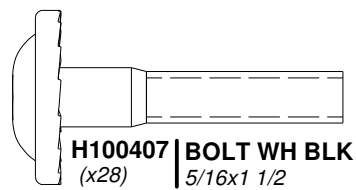
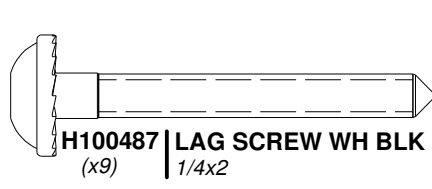
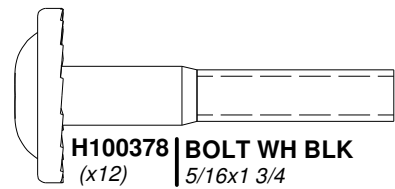
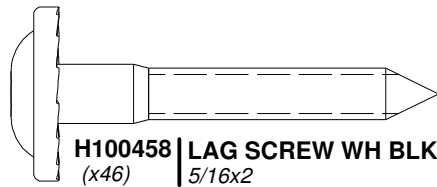
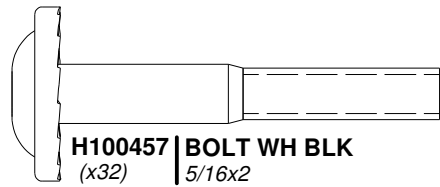
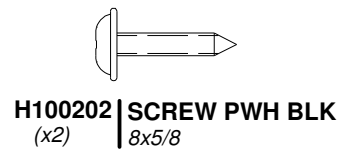
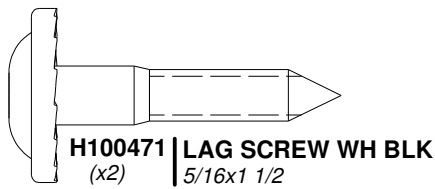
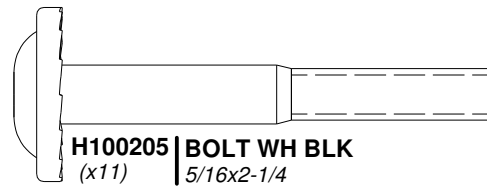
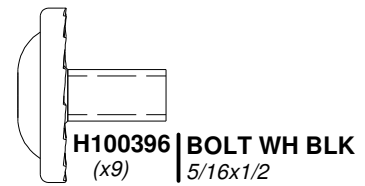
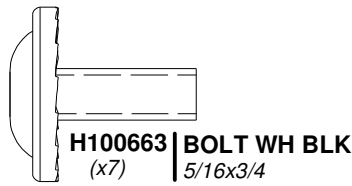
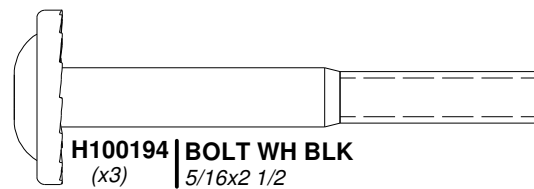
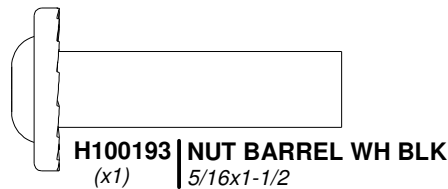
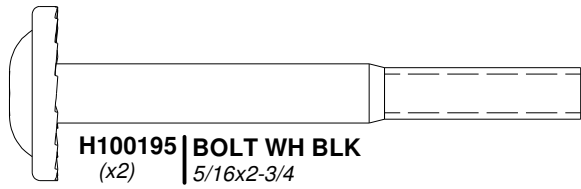
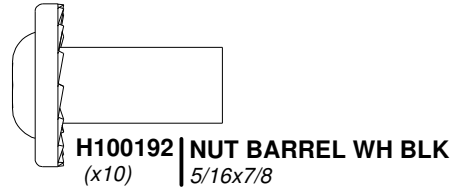
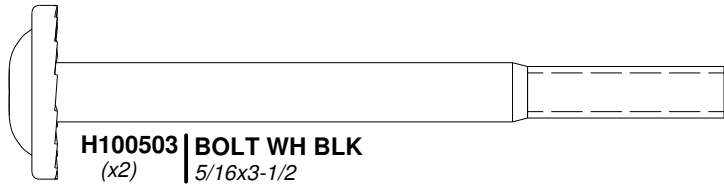
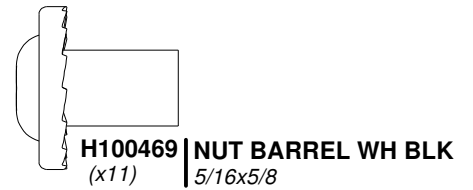
RP1 | ROOF PANEL - W2A03133
(x2) | 1 1/16"x19 5/16"x42 5/8" (35x491x1083)



RP2 | ROOF PANEL - W2A03134
(x2) | 1 1/16"x16 1/8"x42 5/8" (35x410x1083)

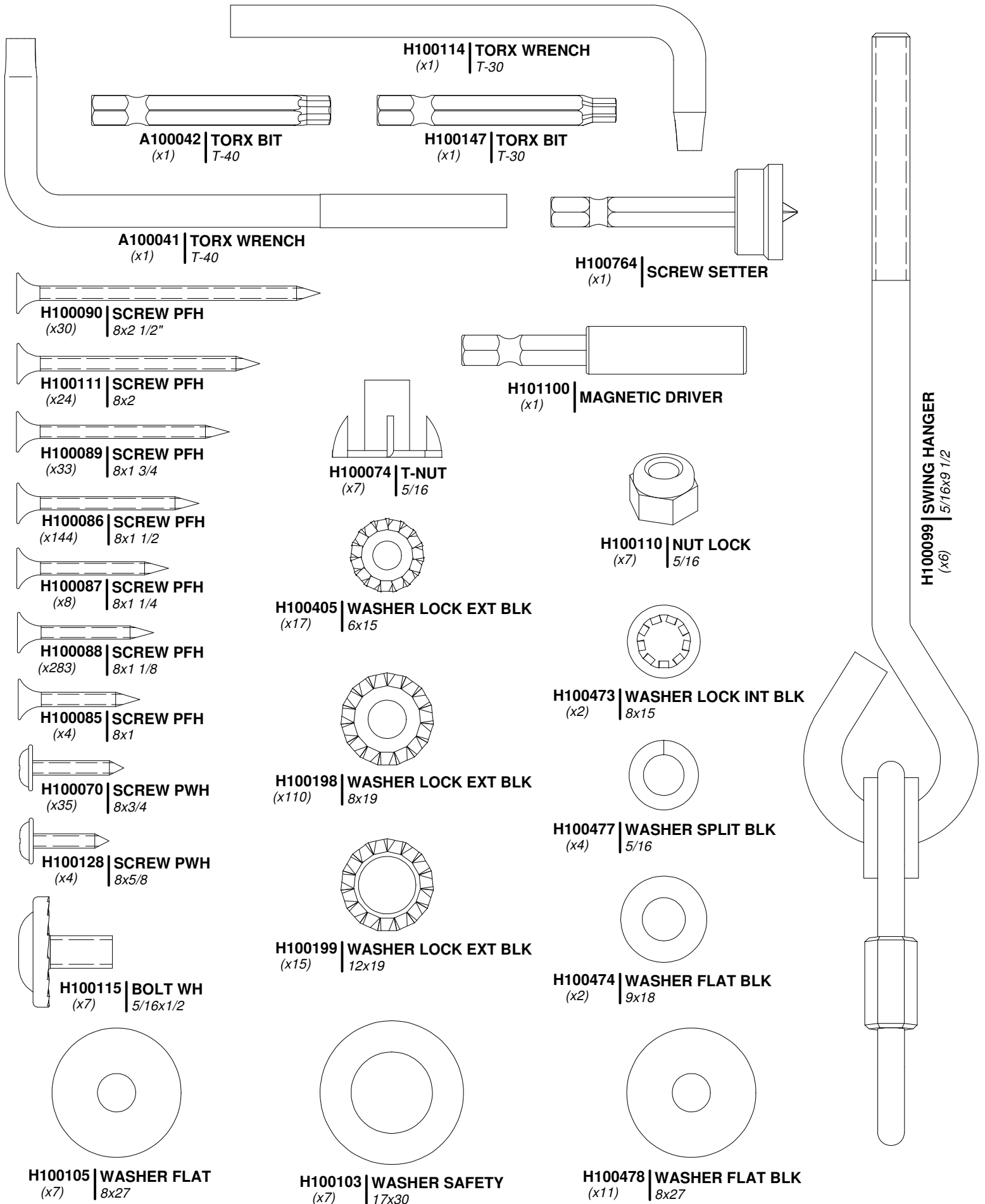
Owner's Manual - Parts Identification

Hardware Components



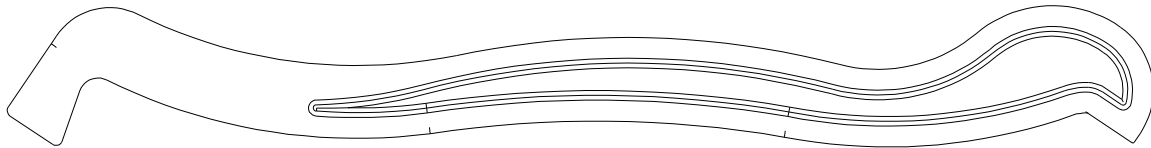
Owner's Manual - Parts Identification

Hardware Components



Owner's Manual - Parts Identification

Accessory Components (Not to Scale)



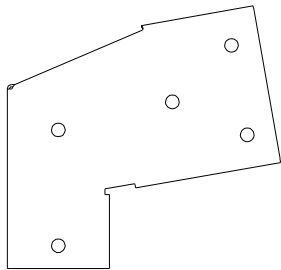
A100055 | SLIDE RAIL 8' GREEN LEFT
(x1)



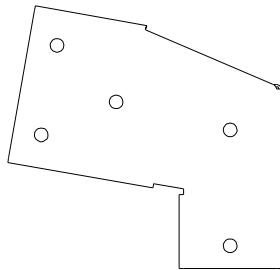
A100054 | SLIDE RAIL 8' GREEN RIGHT
(x1)



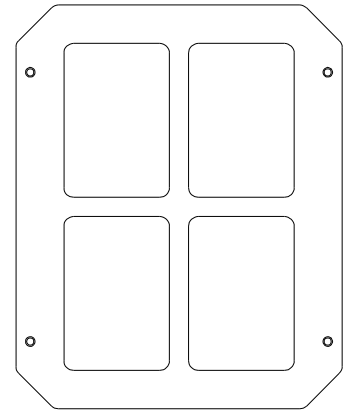
A100356 | SLIDE BED 8' LIGHT GREEN
(x1)



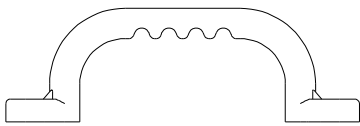
A100326 | SWING BEAM
EXTENSION
BRACKET-RIGHT
(x1)



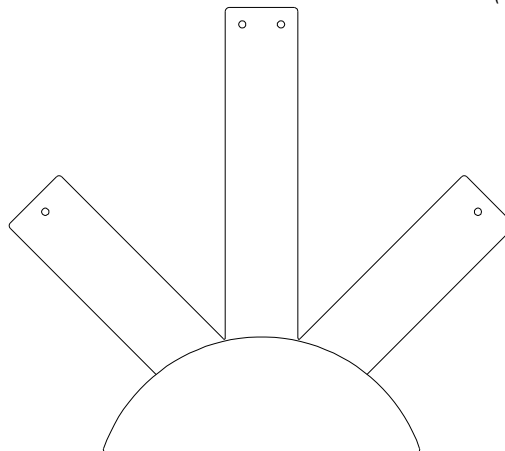
A100325 | SWING BEAM
EXTENSION
BRACKET-LEFT
(x1)



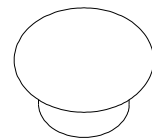
A100014 | PLASTIC WINDOW WHITE
(x6)



A100028 | HAND GRIP GREEN PLASTIC
(x4)



A100361 | PLASTIC SUNBURST
(x2)



A6P00122 | KNOB - LT BROWN
(x1)



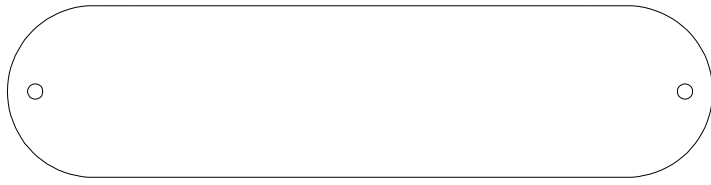
A100164 | BYD ID TAG (LARGE) AGES 3-10
(x1)



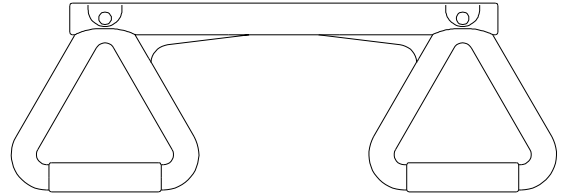
A100314 | "A" REVISION TAG
(x1)

Owner's Manual - Parts Identification

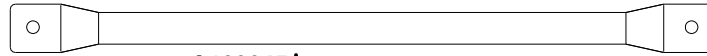
Accessory Components (Not to Scale)



A6P00054 | SWING SEAT GREEN 22"
(x2)



A6P00034 | TRAPEZE YELLOW
(x1)



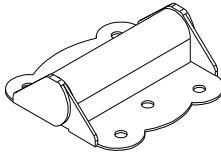
A100045 | METAL RUNG 559 GREEN
(x6)



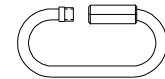
A100068 | CHAIN GREEN 51.25"
(x4)



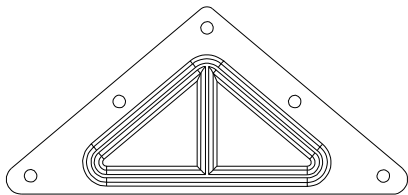
A100177 | CHAIN GREEN 31"
(x2)



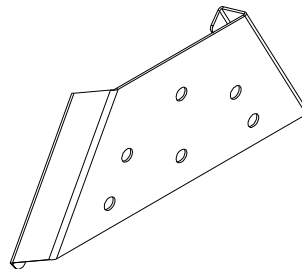
A4M00624 | HINGE (DOOR, SPRING LOADED)
(x2)



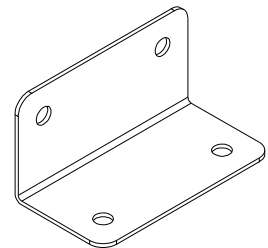
A100069 | QUICK LINK
(x6)



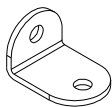
A100294 | TRIANGLE PLATE 100° 5 HOLE
(x2)



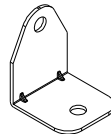
A4M01169 | A-FRAME BRACKET
(x1)



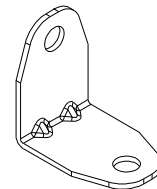
A100140 | L BRACKET 66x66x127
(x2)



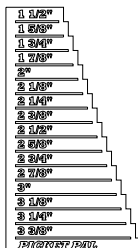
A100061 | L BRACKET GREEN 32x51
(x2)



A100053 | L BRACKET 54x67 - GRN
(x2)



A4M01046 | L BRACKET 2.5x38x55x55
(x4)



A6P00410 | PICKET PAL
(x1)



A100178 | AUGER GROUND STAKE
(x8)

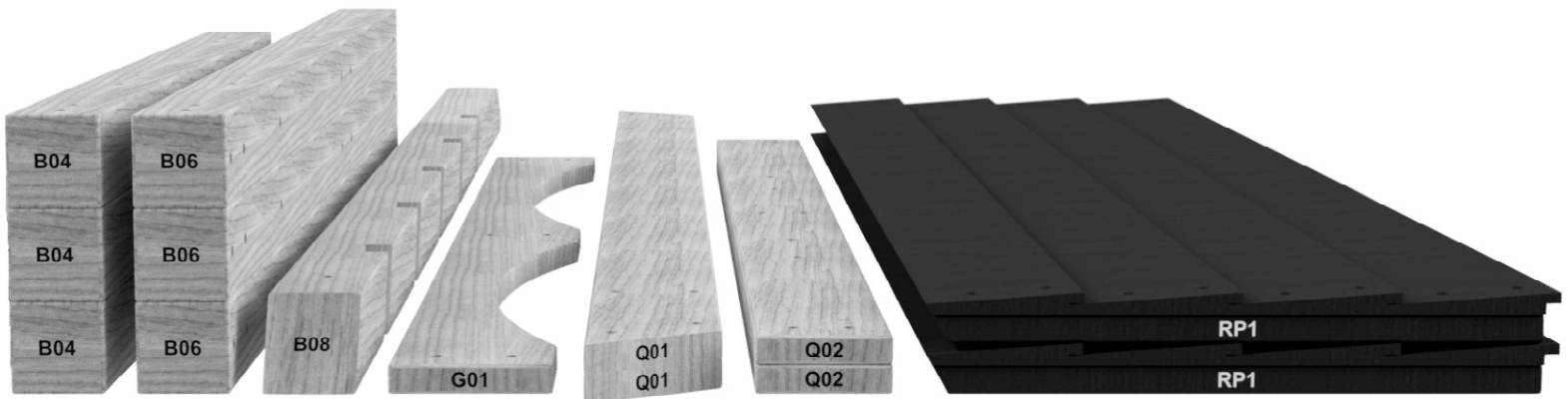
PRE-ASSEMBLY STEP 1 - SORTING PARTS

It is critical for ease of assembly that you take the time to sort and organize the wood and hardware.

WOOD PARTS:

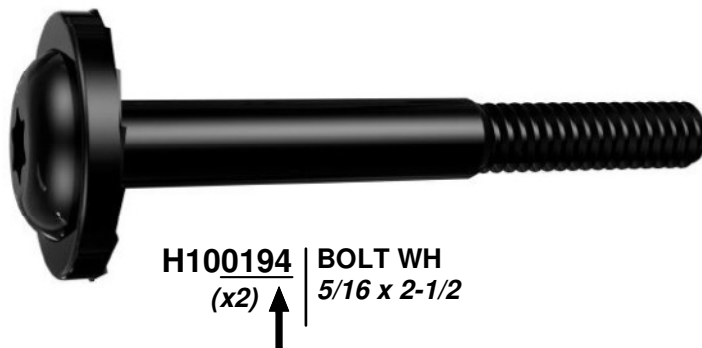
- Organize wood parts by the three-digit, alpha-numeric number stamped on each board (ex. P01).
- If there are multiple boards with the same stamped number, stack those pieces together.
- Stamps can be found on the flat surface of the boards or on the end of the boards.
- Allow yourself plenty of room - the wood pieces can take up a significant amount of space.

NOTE: CARTONS ARE NOT ORGANIZED BY BOARD NUMBER.



HARDWARE PARTS:

- We recommend that you have a separate table to organize the hardware.
- Hardware bags are printed with a seven-digit, alpha-numeric part number.
- You can organize your hardware by part number or group by hardware type (i.e. bolts, nuts, etc.).
- During assembly you only need to reference the last four digits of the number.



PRE-ASSEMBLY STEP 2 - TOOLS REQUIRED



**Cordless Drill or
Electric Drill**



**Drill Attachments:
Phillips Head**



**1/8", 3/16", 3/8" & 7/16"
Drill Bits**



Phillips Screw Driver



Open End Wrenches 1/2" & 9/16"



**3/8" Drive Ratchet, 1/2" &
9/16" STD Sockets 1/2" & 9/16" Deep
Sockets**



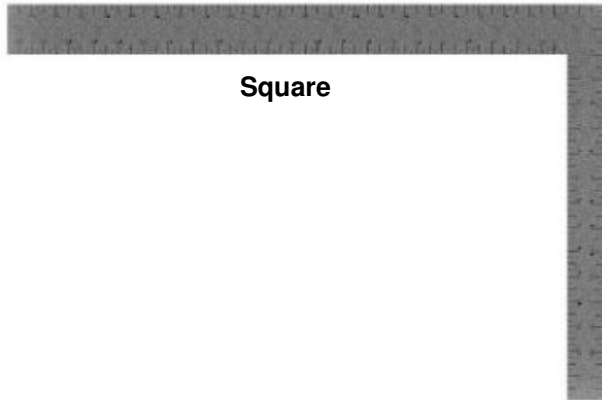
Claw Hammer



Rubber Mallet - Optional



Tape Measure



Square





Level 24"

PRE-ASSEMBLY STEP 3 - CHOOSE YOUR ASSEMBLY METHOD

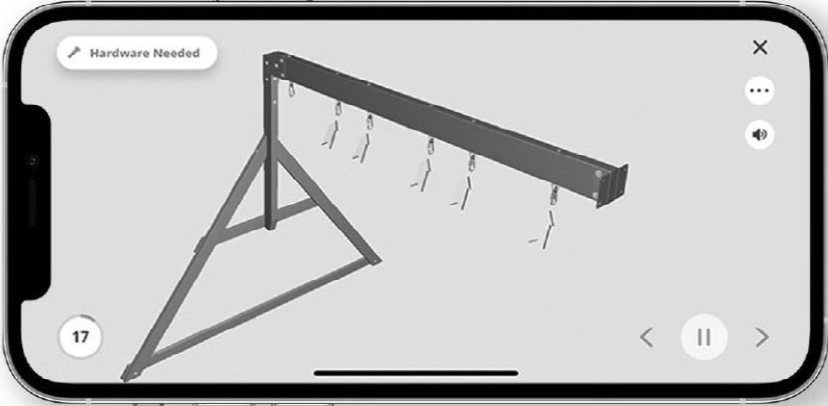


There are several types of assembly instructions available to you.

1. Printed Assembly Manual included with your set
2. BILT APP - 3D interactive instructions
3. Combination of the Printed Manual and BILT APP (Note: Step numbers can differ between the two methods)



Scan for easy 3D instructions

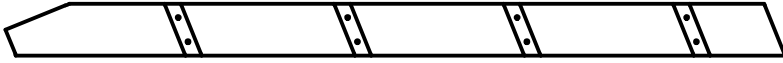
Download the BILT app
before you begin



The image shows a smartphone screen displaying the BILT app interface. At the top left, there is a tab labeled "Hardware Needed". The main display area shows a 3D perspective view of a metal assembly structure, which appears to be a hanging rack or frame. The structure consists of a horizontal bar supported by a triangular base. Several small components, likely screws or bolts, are shown being attached to the horizontal bar. In the bottom left corner of the app interface, the number "17" is displayed in a white circle. In the bottom right corner, there are navigation icons: a back arrow, a pause button, and a forward arrow. The entire advertisement is enclosed in a thick grey border.

STEP 1 - LADDER ASSEMBLY

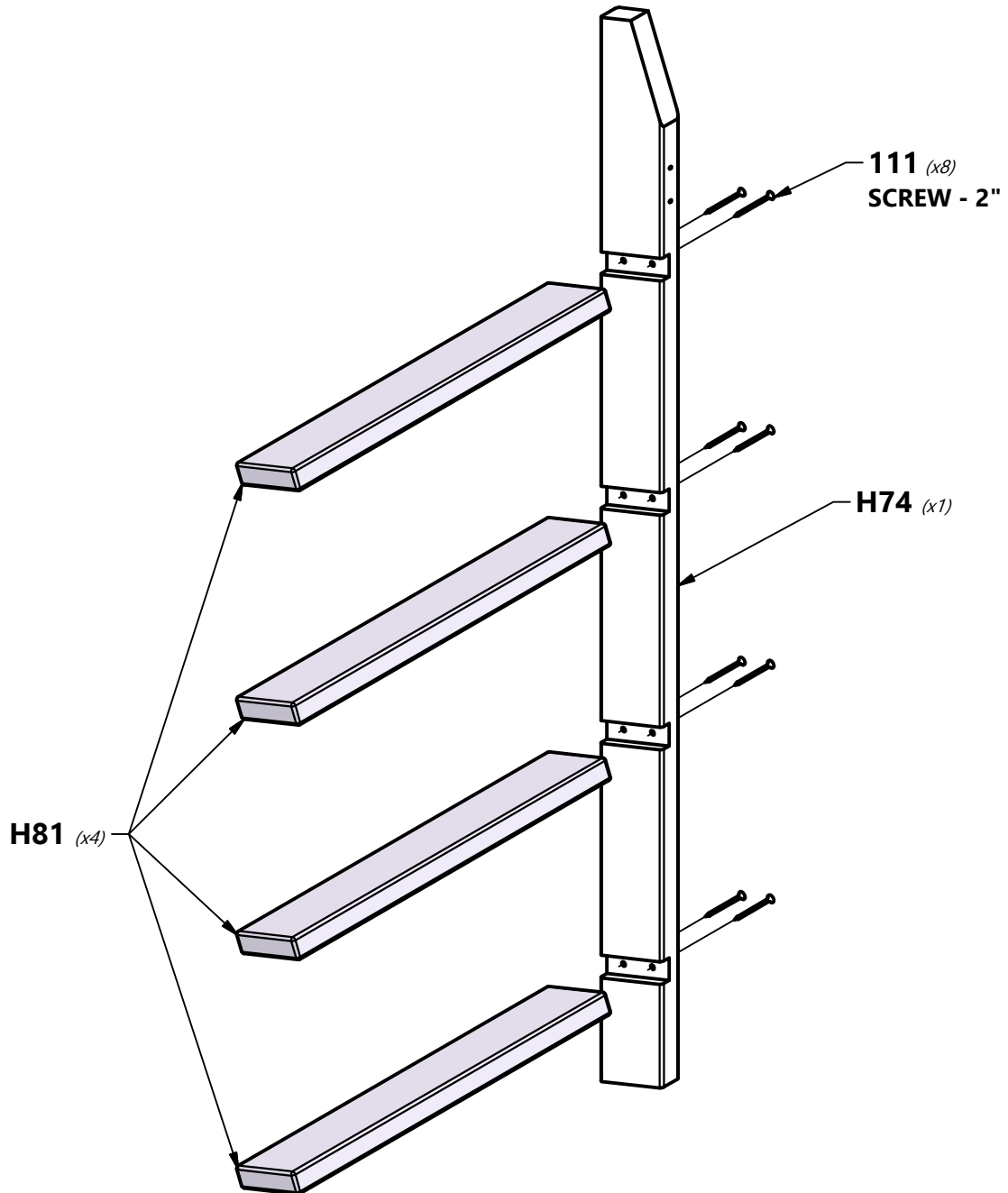
QTY	PART NUMBER	DESCRIPTION
8	H100111	SCREW PFH 8x2



H74 | LEFT UPRIGHT - W4L14550
(x1) | 1"x3 3/8"x50 3/4" (24x86x1290)

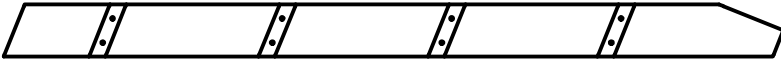


H81 | LADDER RUNG - W4L14554
(x4) | 1"x3 3/8"x17 1/8" (24x86x434)

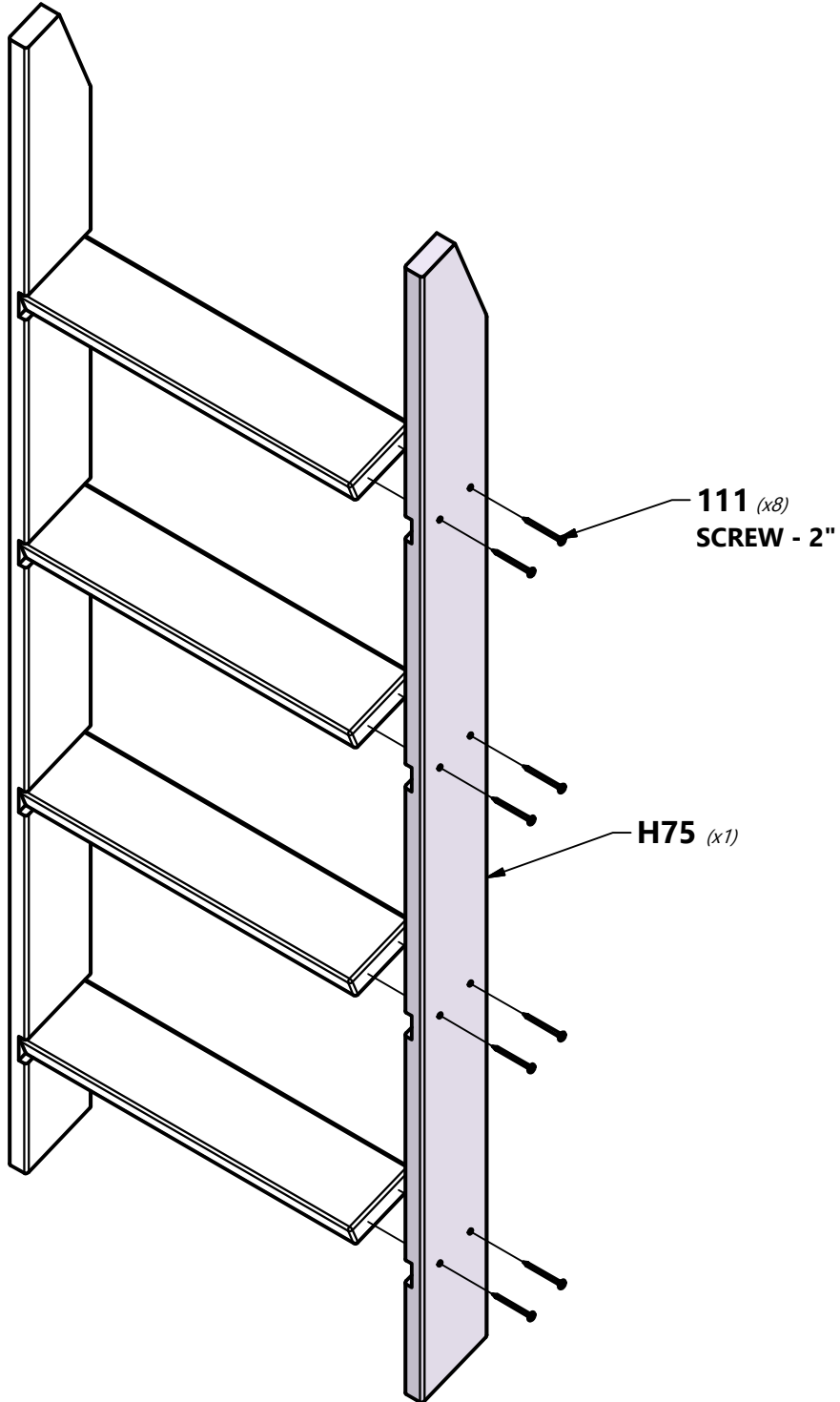


STEP 2 - LADDER ASSEMBLY

QTY	PART NUMBER	DESCRIPTION
8	H100111	SCREW PFH 8x2



H75 | RIGHT UPRIGHT - W4L14551A
(x1) | 1"x3 3/8"x50 3/4" (24x86x1290)

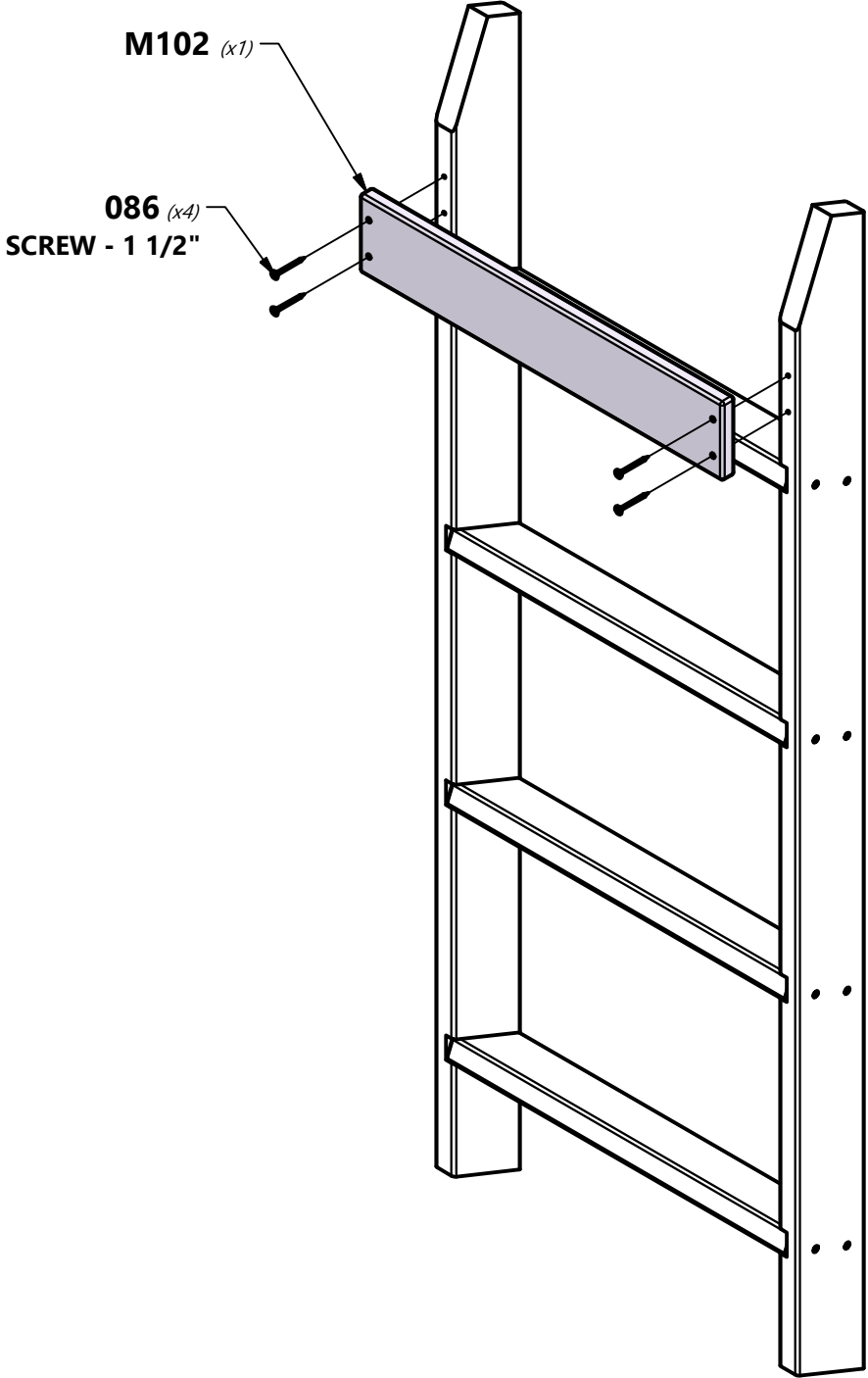


STEP 3 - LADDER ASSEMBLY

QTY	PART NUMBER	DESCRIPTION
4	H100086	SCREW PFH 8x1-1/2"



M102 REAR SUPPORT - W4L14601
(x1) 5/8"x3 3/8"x18 1/4" (16x86x462)

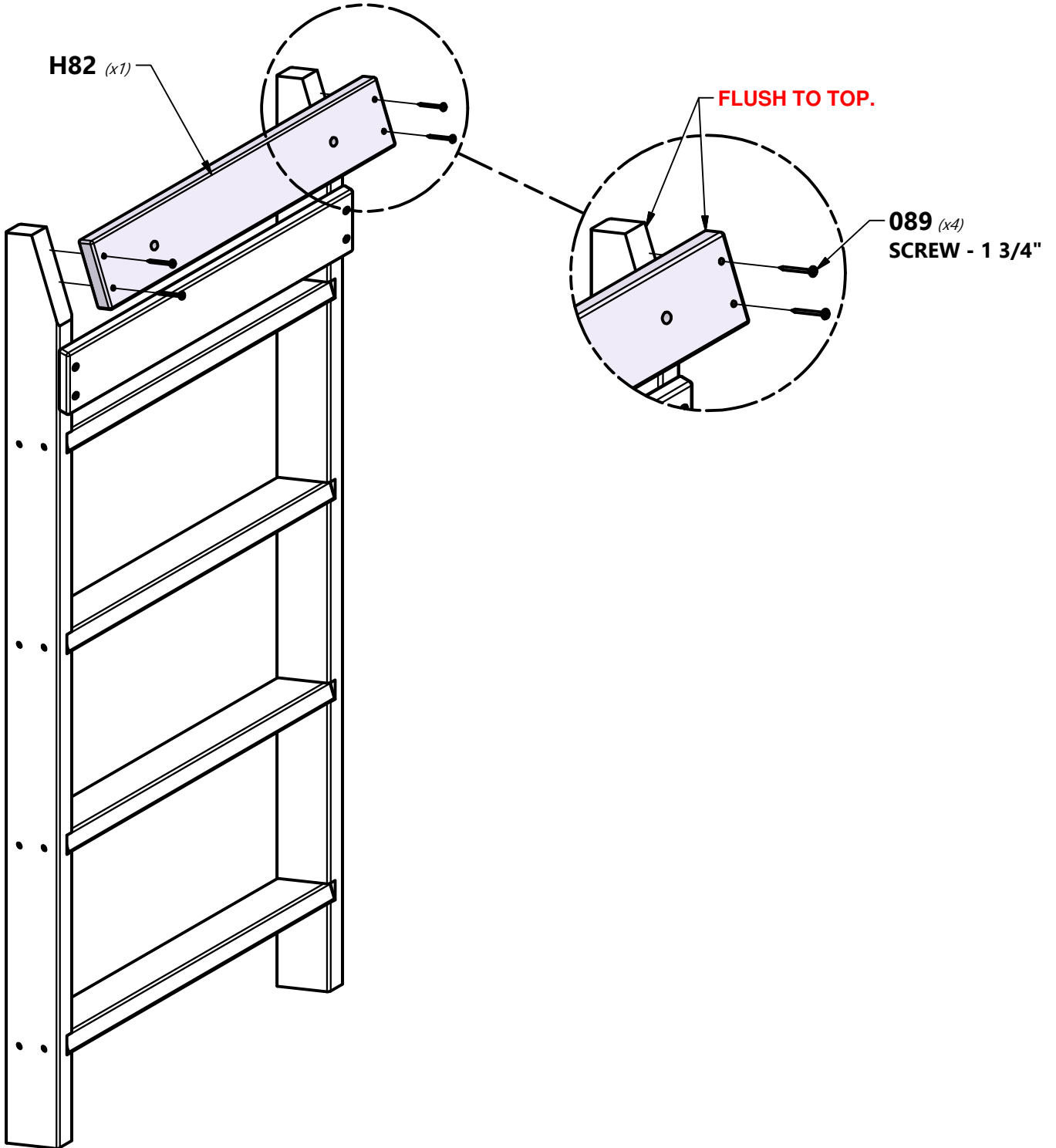


STEP 4 - LADDER ASSEMBLY

QTY	PART NUMBER	DESCRIPTION
4	H100089	SCREW PFH 8x1-3/4"



H82 | ATTACHMENT BOARD - W4L14553
(x1) | 1"x3 3/8"x18 1/4" (24x86x462)



STEP 1 - BAY WINDOW ASSEMBLY

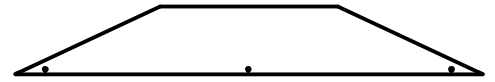
QTY	PART NUMBER	DESCRIPTION
8	H100088	SCREW PFH 8x1-1/8"



N5 | BAY WINDOW BOARD - W4L14606
(x2) | 5/8"x2 3/8"x6 1/4" (16x60x158)

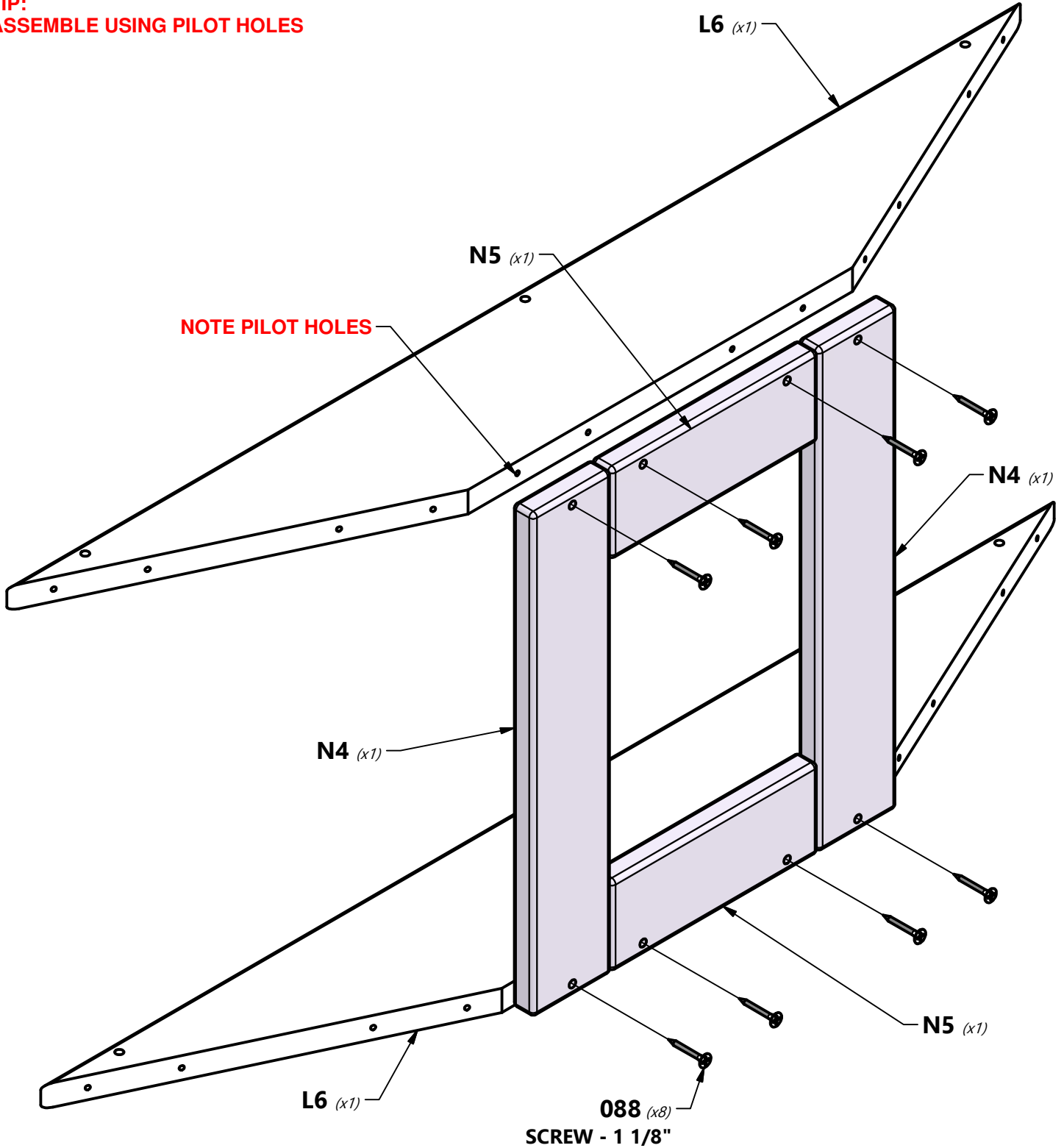


N4 | BAY WINDOW BOARD - W4L14605
(x2) | 5/8"x2 3/8"x13 1/8" (16x60x332)



L6 | BAY WINDOW HEADER - W4L14568
(x2) | 5/8"x4 3/8"x30 1/2" (16x112x774)

TIP:
ASSEMBLE USING PILOT HOLES



STEP 2 - BAY WINDOW ASSEMBLY

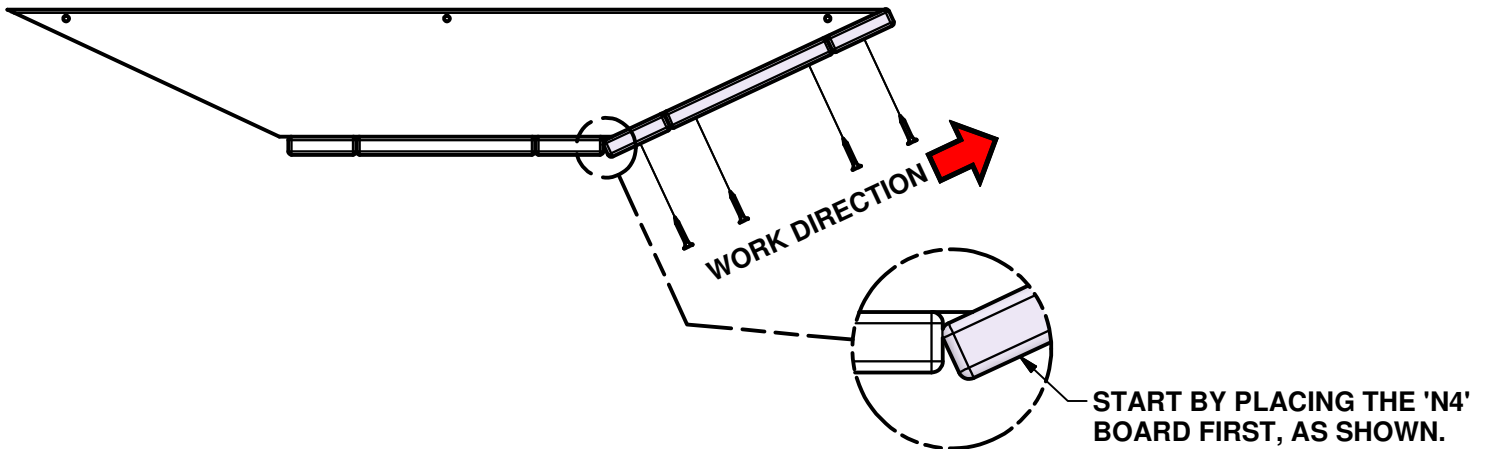
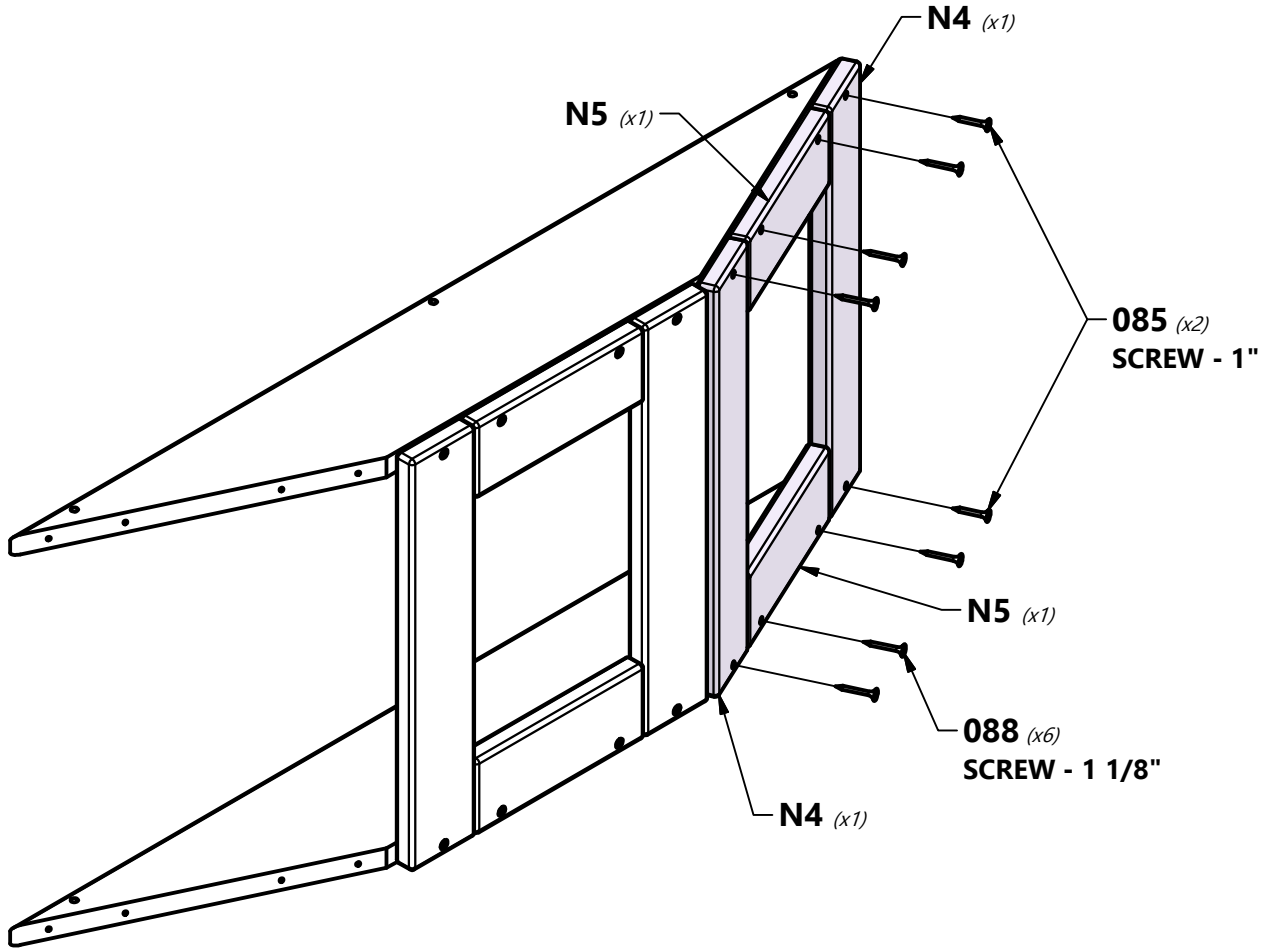
QTY	PART NUMBER	DESCRIPTION
2	H100085	SCREW PFH 8x1"
6	H100088	SCREW PFH 8x1-1/8"



N5 | BAY WINDOW BOARD - W4L14606
 (x2) | 5/8"x2 3/8"x6 1/4" (16x60x158)

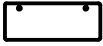


N4 | BAY WINDOW BOARD - W4L14605
 (x2) | 5/8"x2 3/8"x13 1/8" (16x60x332)



STEP 3 - BAY WINDOW ASSEMBLY

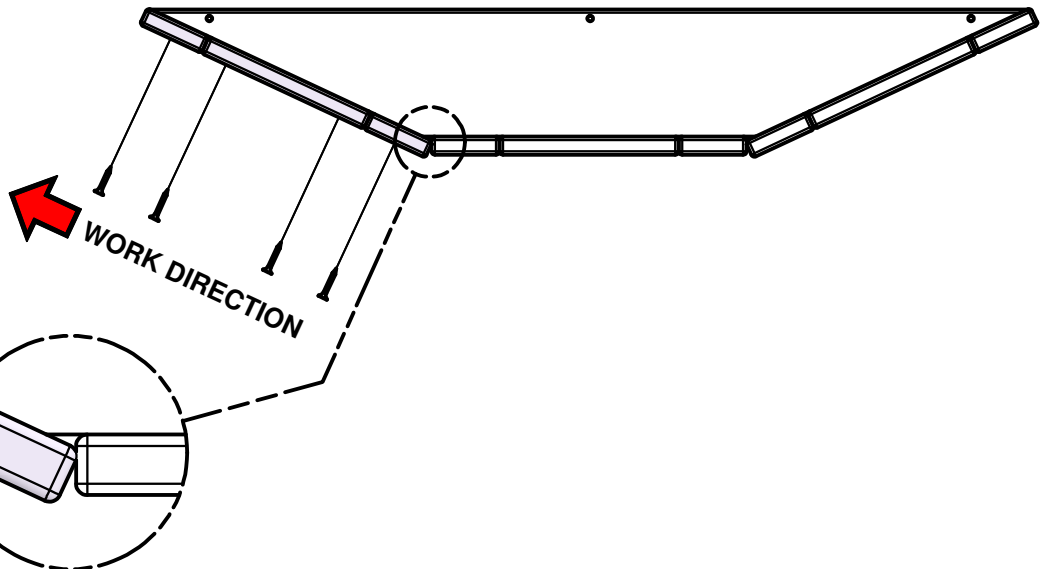
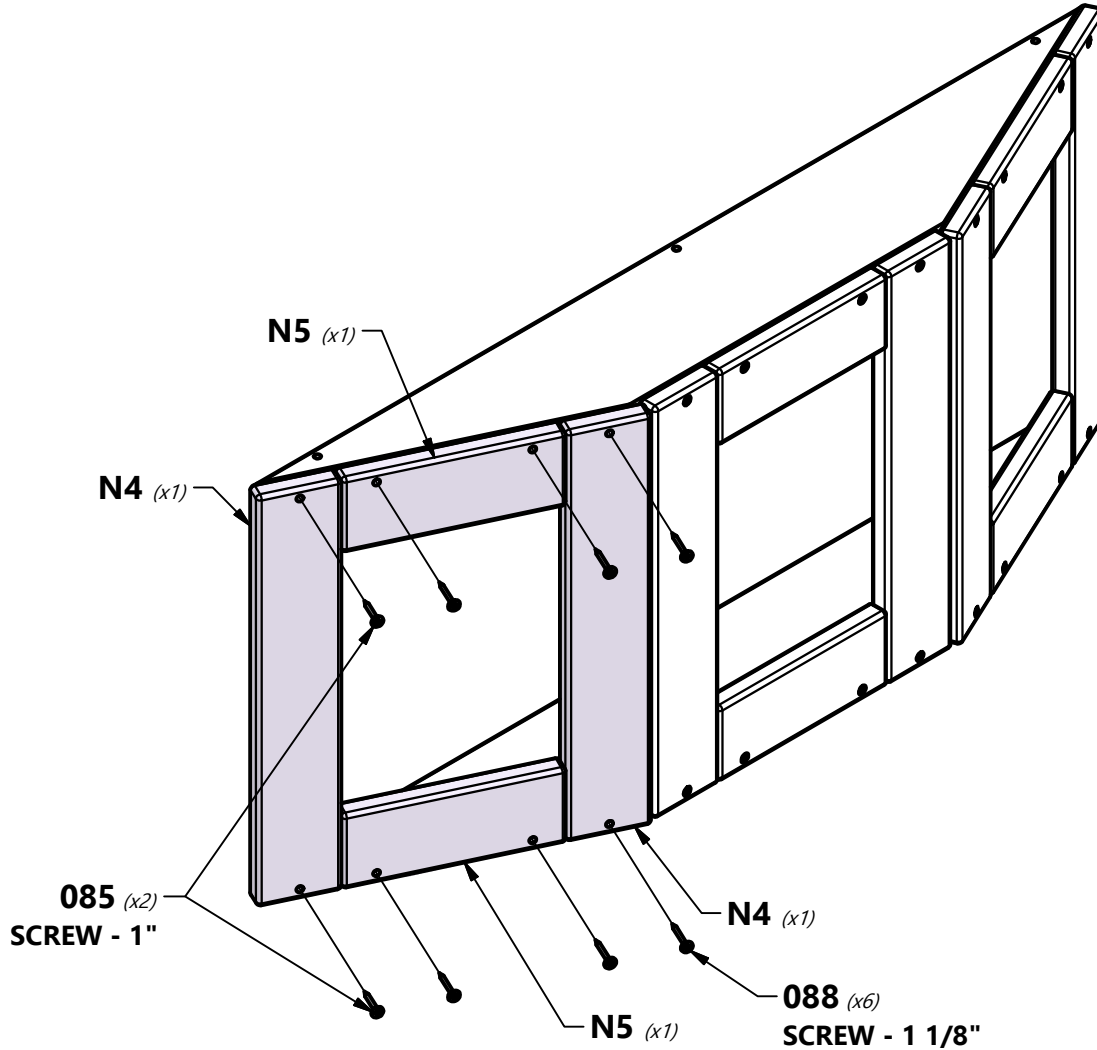
QTY	PART NUMBER	DESCRIPTION
2	H100085	SCREW PFH 8x1"
6	H100088	SCREW PFH 8x1-1/8"



N5 | BAY WINDOW BOARD - W4L14606
 (x2) | 5/8"x2 3/8"x6 1/4" (16x60x158)



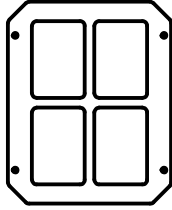
N4 | BAY WINDOW BOARD - W4L14605
 (x2) | 5/8"x2 3/8"x13 1/8" (16x60x332)



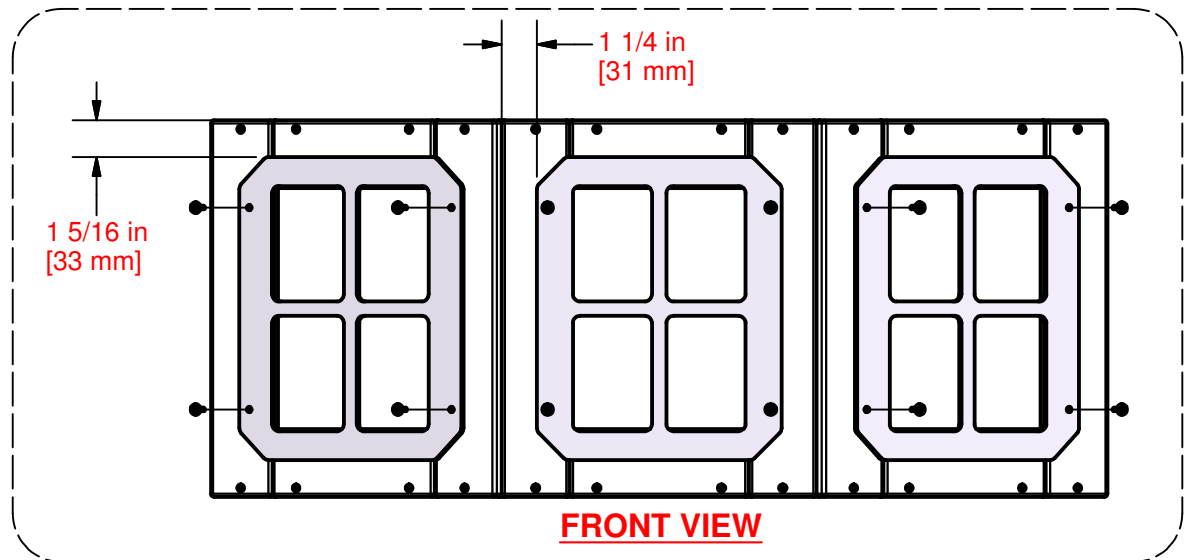
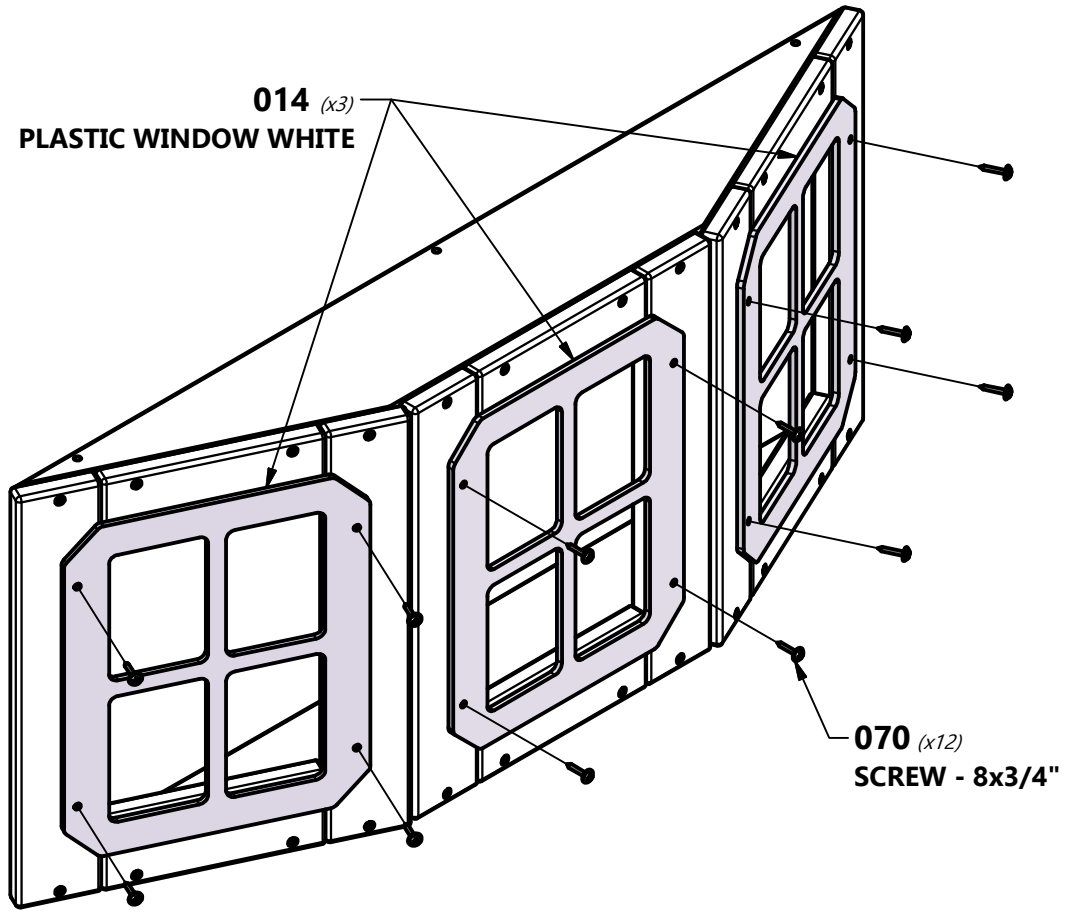
START BY PLACING THE 'N4' BOARD FIRST, AS SHOWN.

STEP 4 - BAY WINDOW ASSEMBLY

QTY	PART NUMBER	DESCRIPTION
12	H100070	SCREW PWH 8x3/4



A100014
(x3) | PLASTIC WINDOW WHITE



STEP 1 - BENCH ASSEMBLY

QTY	PART NUMBER	DESCRIPTION
2	H100199	WASHER LOCK EXT 12x19 BLK
2	H100469	NUT BARREL WH 5/16x5/8 BLK
2	H100663	BOLT WH 5/16x3/4 BLK

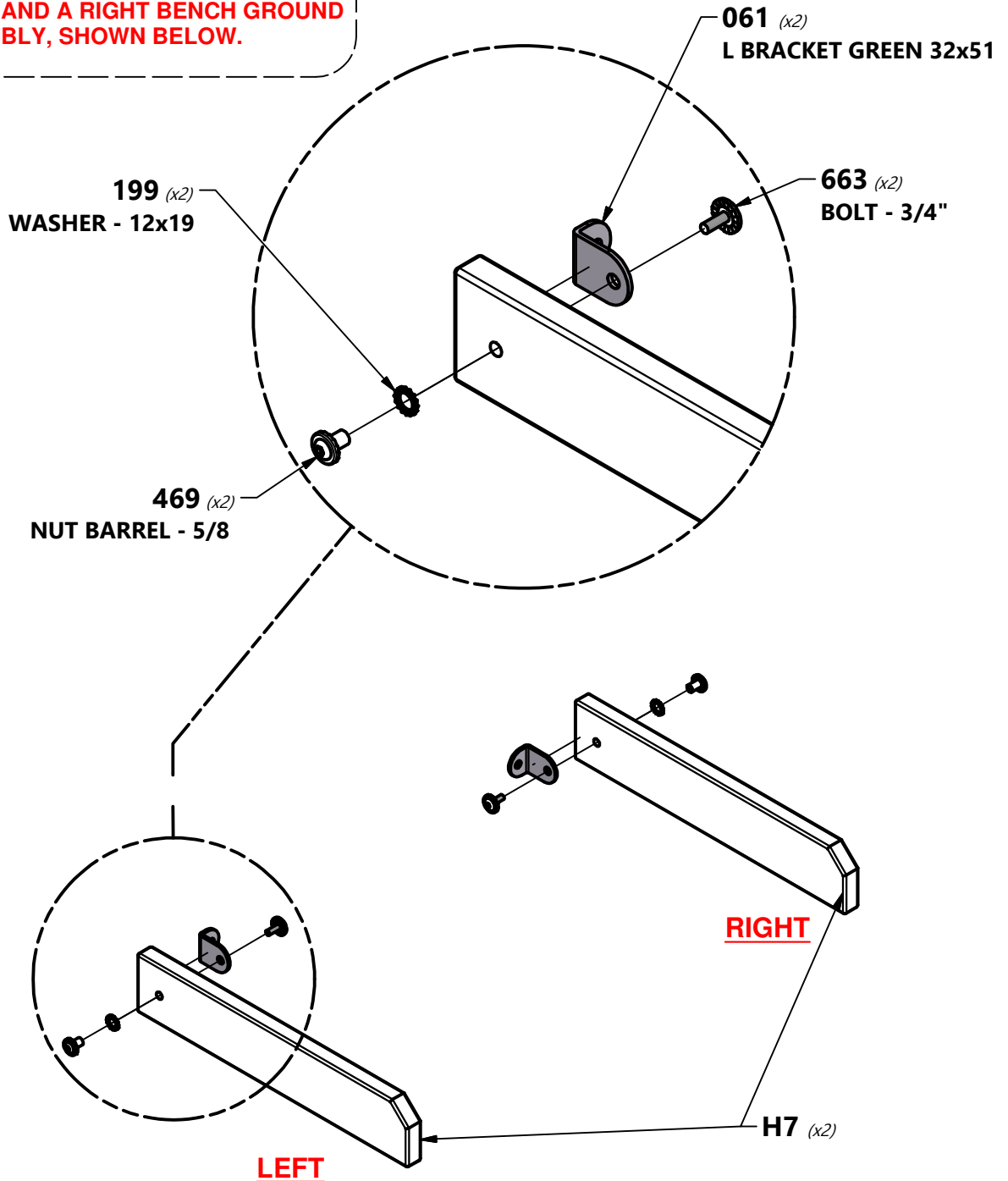


H7 | BENCH GROUND BOARD - W4L14546
(x2) | 1"x3 3/8"x18 1/8" (24x86x460)



A100061 | L BRACKET GREEN 32x51
(x2)

NOTE:
ASSEMBLE A LEFT AND A RIGHT BENCH GROUND BOARD SUBASSEMBLY, SHOWN BELOW.

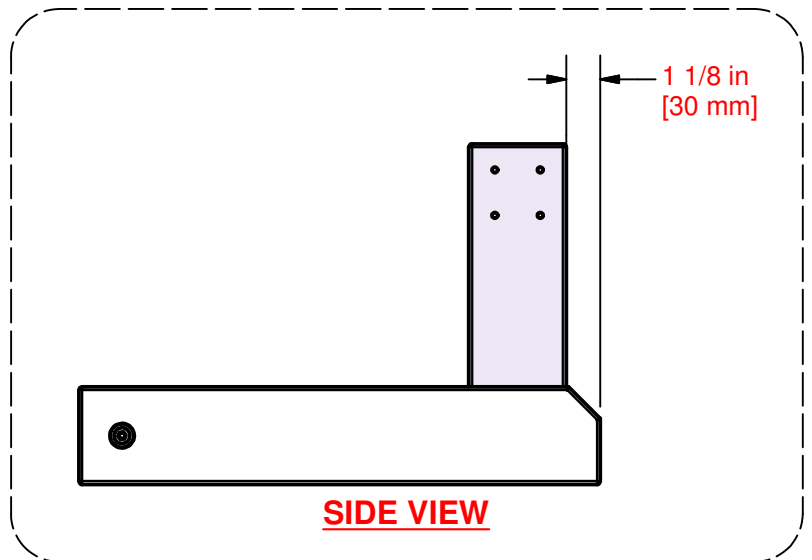
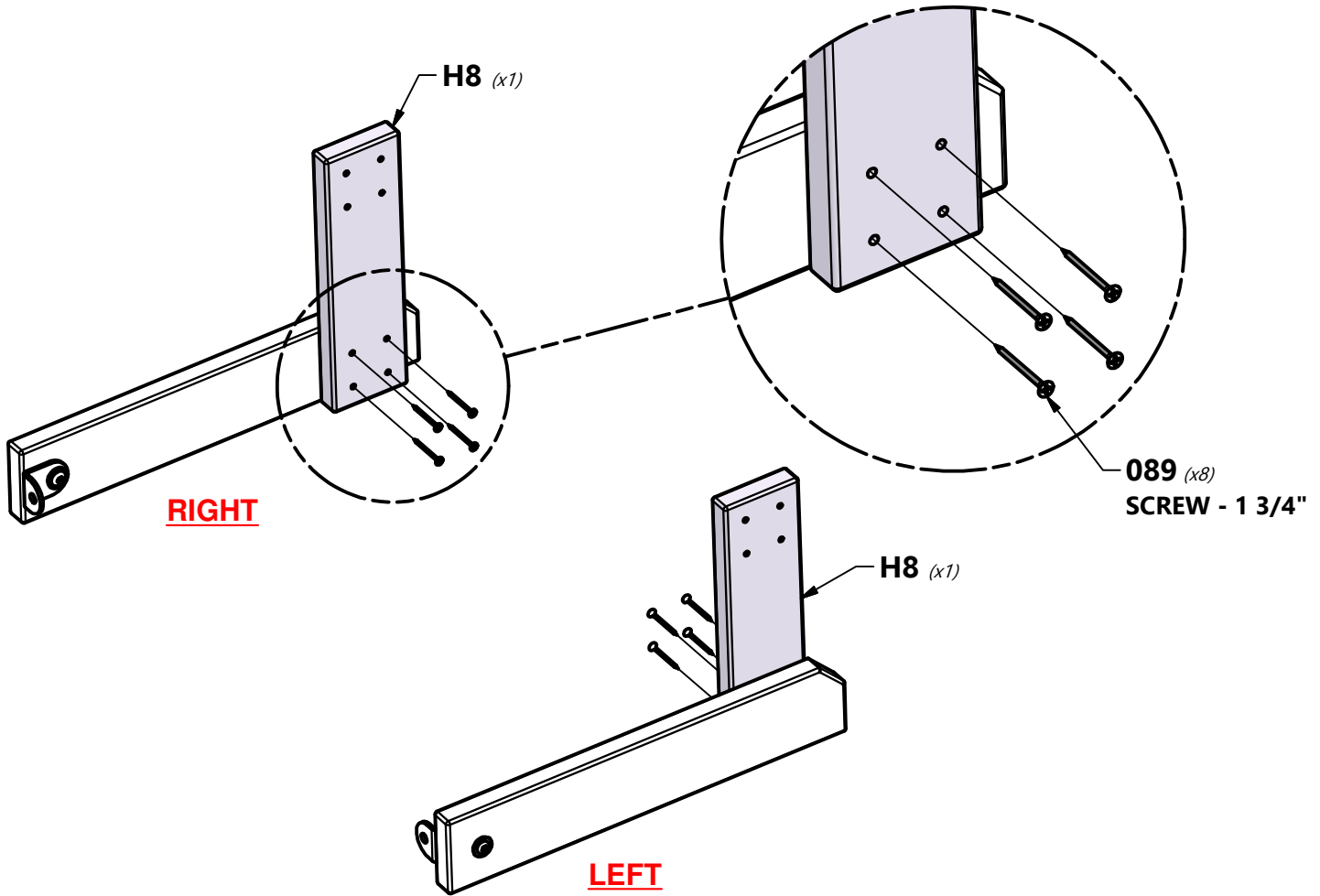


STEP 2 - BENCH ASSEMBLY

QTY	PART NUMBER	DESCRIPTION
8	H100089	SCREW PFH 8x1-3/4"



H8 | BENCH UPRIGHT - W4L14547
(x2) | 1"x3 3/8"x11 3/4" (24x86x300)

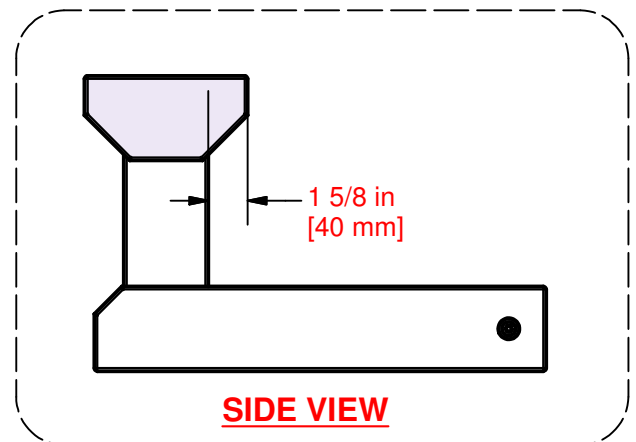
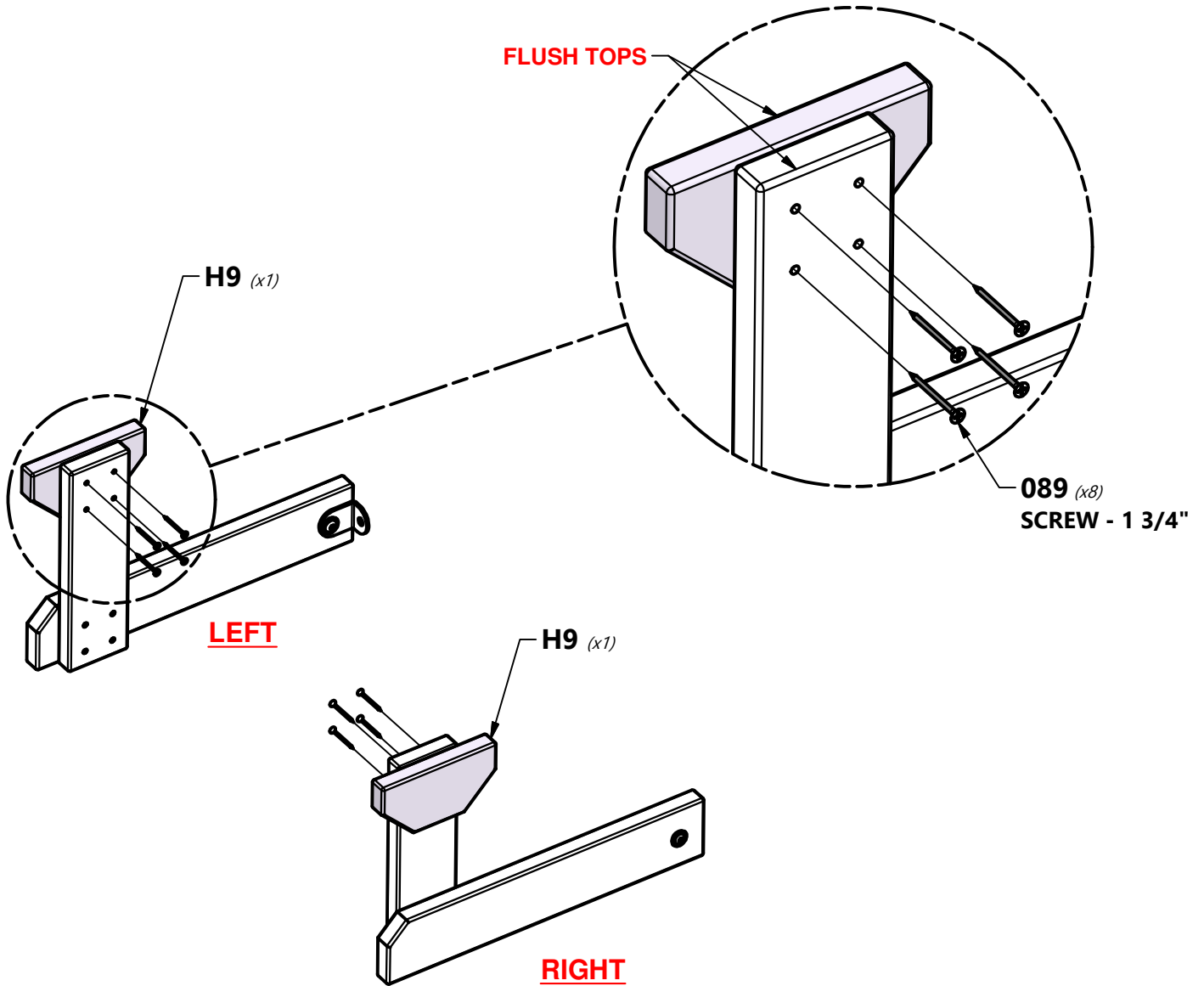


STEP 3 - BENCH ASSEMBLY

QTY	PART NUMBER	DESCRIPTION
8	H100089	SCREW PFH 8x1-3/4"



H9 | BENCH SEAT SUPPORT - W4L14548
(x2) | 1"x3 3/8"x6 1/2" (24x86x166)



STEP 4 - BENCH ASSEMBLY

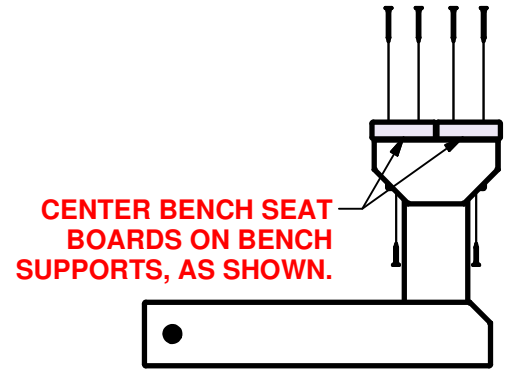
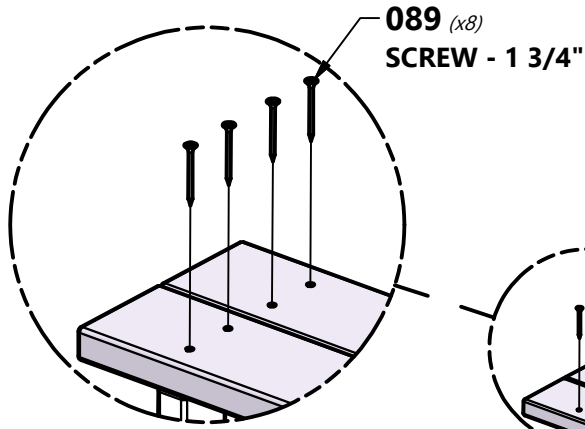
QTY	PART NUMBER	DESCRIPTION
4	H100088	SCREW PFH 8x1-1/8"
8	H100089	SCREW PFH 8x1-3/4"



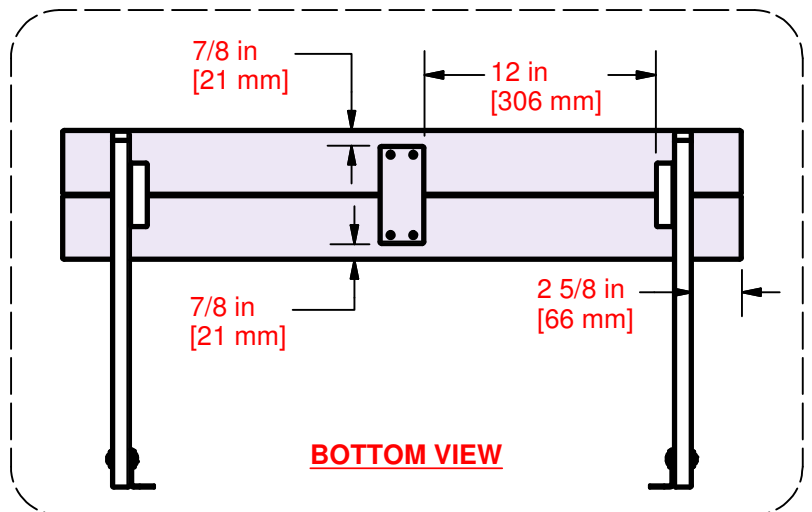
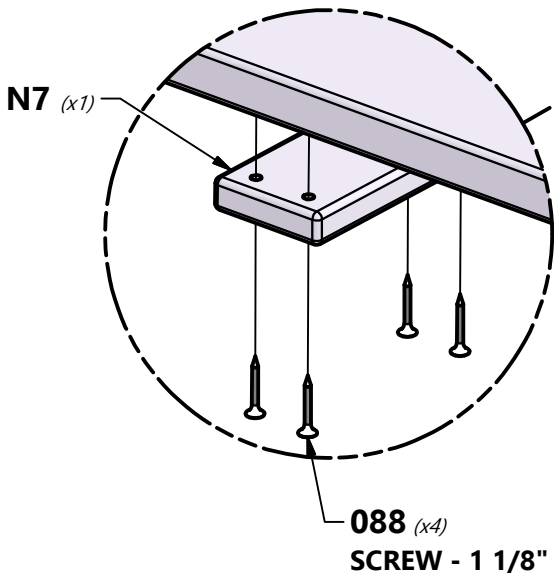
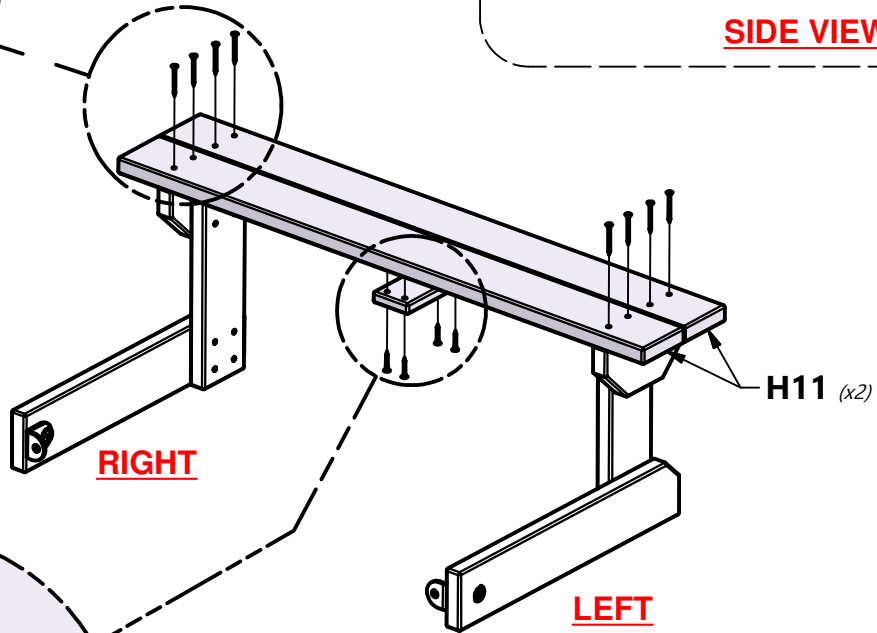
H11 | BENCH SEAT - W4L14555
(x2) | 1"x3 3/8"x35 3/8" (24x86x900)



N7 | BENCH CLEAT - W4L14607
(x1) | 5/8"x2 3/8"x5 1/8" (16x60x130)



SIDE VIEW



STEP 1 - DOOR ASSEMBLY

QTY	PART NUMBER	DESCRIPTION
36	H100088	SCREW PFH 8x1-1/8"



L7 | DOOR BOARD - W4L14569
(x1) | 5/8"x4 3/8"x35" (16x110x890)



M24 | DOOR BOARD - W4L14594
(x2) | 5/8"x3 3/8"x21 1/4" (16x86x540)



L8 | DOOR BOARD - W4L14570
(x1) | 5/8"x4 3/8"x35" (16x110x890)



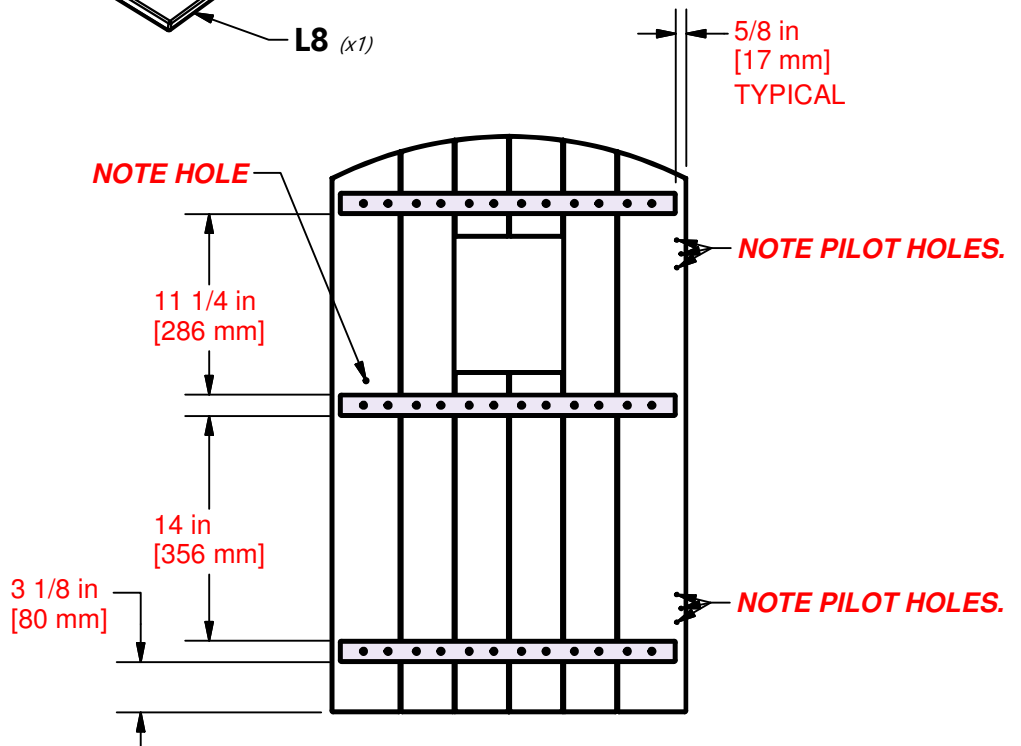
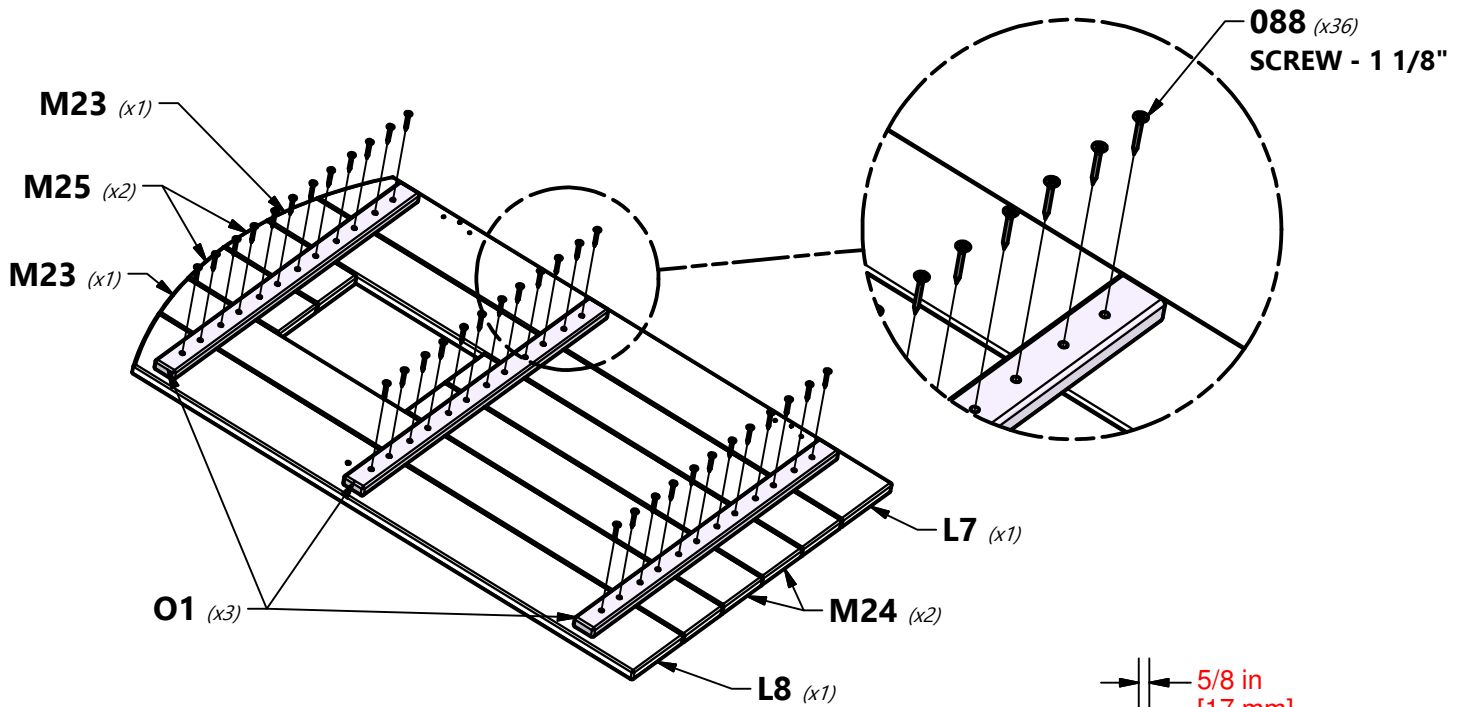
M23 | DOOR BOARD - W4L14593
(x2) | 5/8"x3 3/8"x35 3/4" (16x86x908)



O1 | DOOR CLEAT - W4L14609
(x3) | 5/8"x1 3/8"x21" (16x34x534)

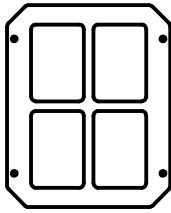


M25 | DOOR BOARD - W4L14595
(x2) | 5/8"x3 3/8"x6 1/4" (16x86x160)

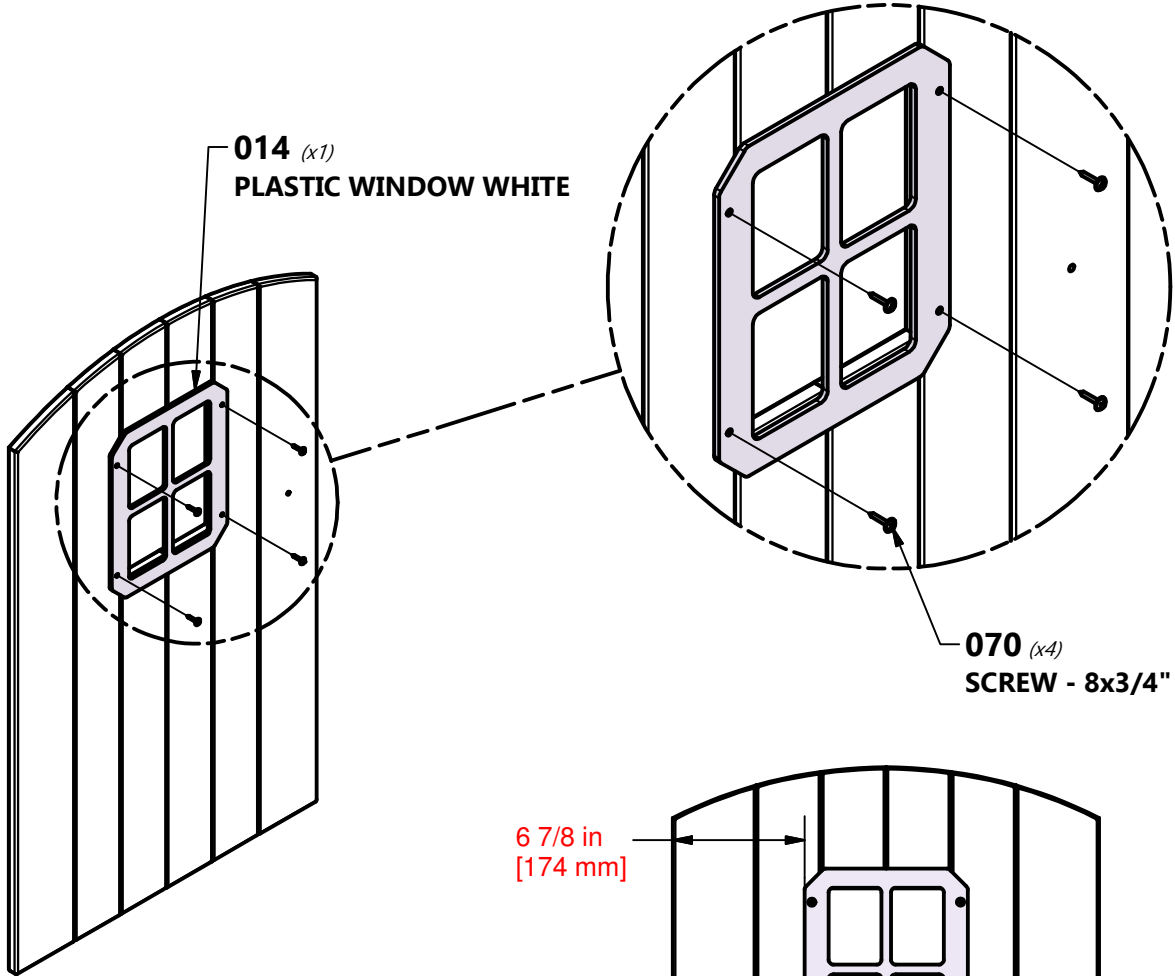


STEP 2 - DOOR ASSEMBLY

QTY	PART NUMBER	DESCRIPTION
4	H100070	SCREW PWH 8x3/4



A100014
(x1) | PLASTIC WINDOW WHITE

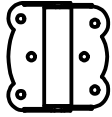


6 7/8 in
[174 mm]

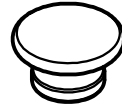
20 1/4 in
[514 mm]

STEP 3 - DOOR ASSEMBLY

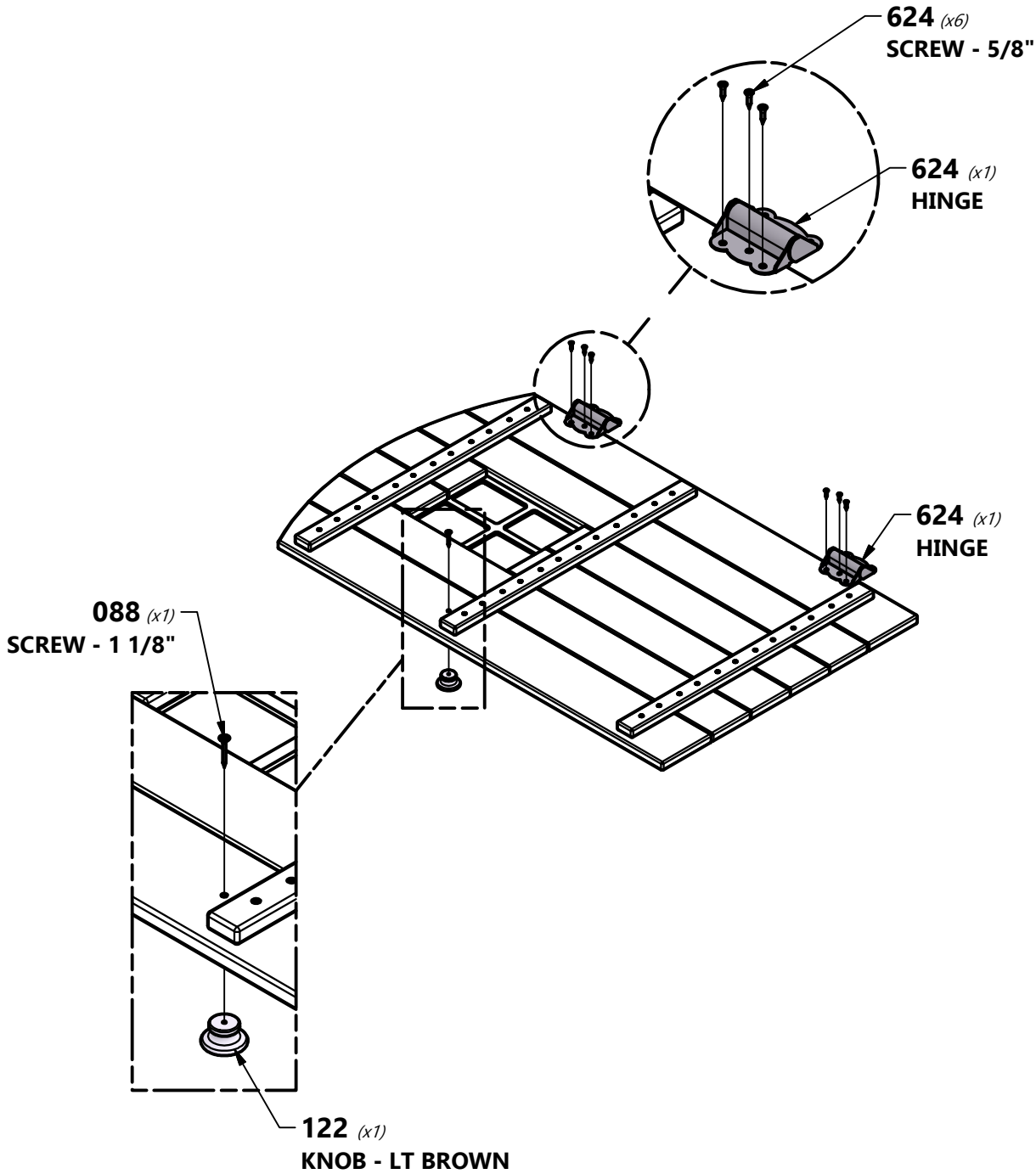
QTY	PART NUMBER	DESCRIPTION
1	H100088	SCREW PFH 8x1-1/8"
6	H100624	SCREW PFH 6x5/8" BLK



A4M00624
(x2) | HINGE (DOOR, SPRING LOADED)



A6P00122
(x1) | KNOB - LT BROWN



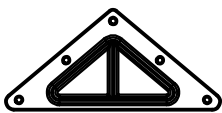
STEP 1 - MONKEY BAR ASSEMBLY



E71 | MONKEY BAR RAIL - W4L06929
(x1) | 1 3/8"x3 3/8"x60 5/8" (36x86x1539)



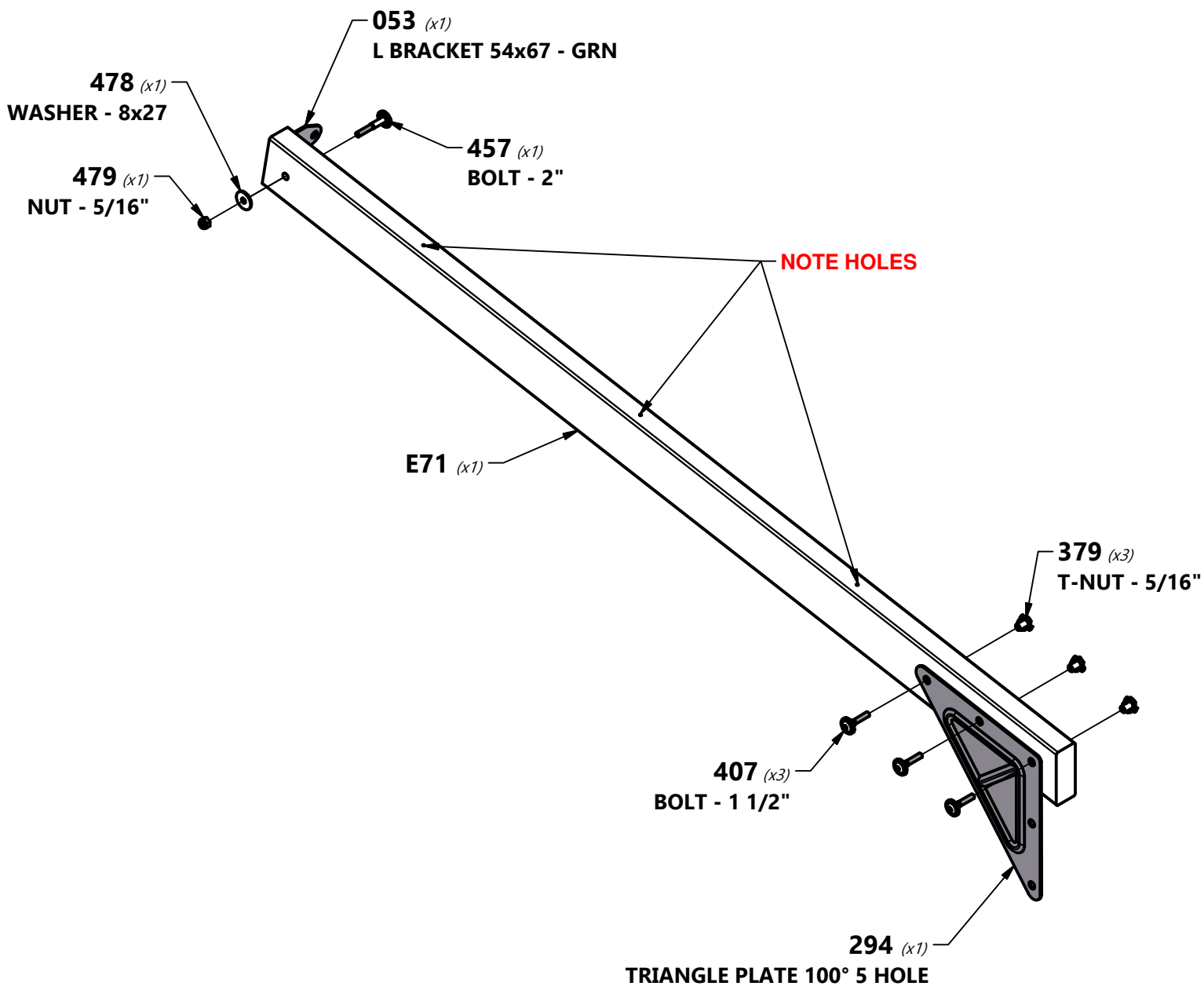
A100053 | L BRACKET
(x1) | 54x67 - GRN



A100294 | TRIANGLE
(x1) | PLATE 100° 5
HOLE

QTY	PART NUMBER	DESCRIPTION
3	H100379	T-NUT 5/16 BLK
3	H100407	BOLT WH 5/16x1 1/2 BLK
1	H100457	BOLT WH 5/16x2 BLK
1	H100478	WASHER FLAT 8x27 BLK
1	H100479	NUT LOCK 5/16 BLK

TIP:
INSTALL T-NUTS IN WOOD FIRST



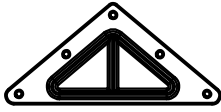
STEP 2 - MONKEY BAR ASSEMBLY



E71 | MONKEY BAR RAIL - W4L06929
(x1) | 1 3/8"x3 3/8"x60 5/8" (36x86x1539)



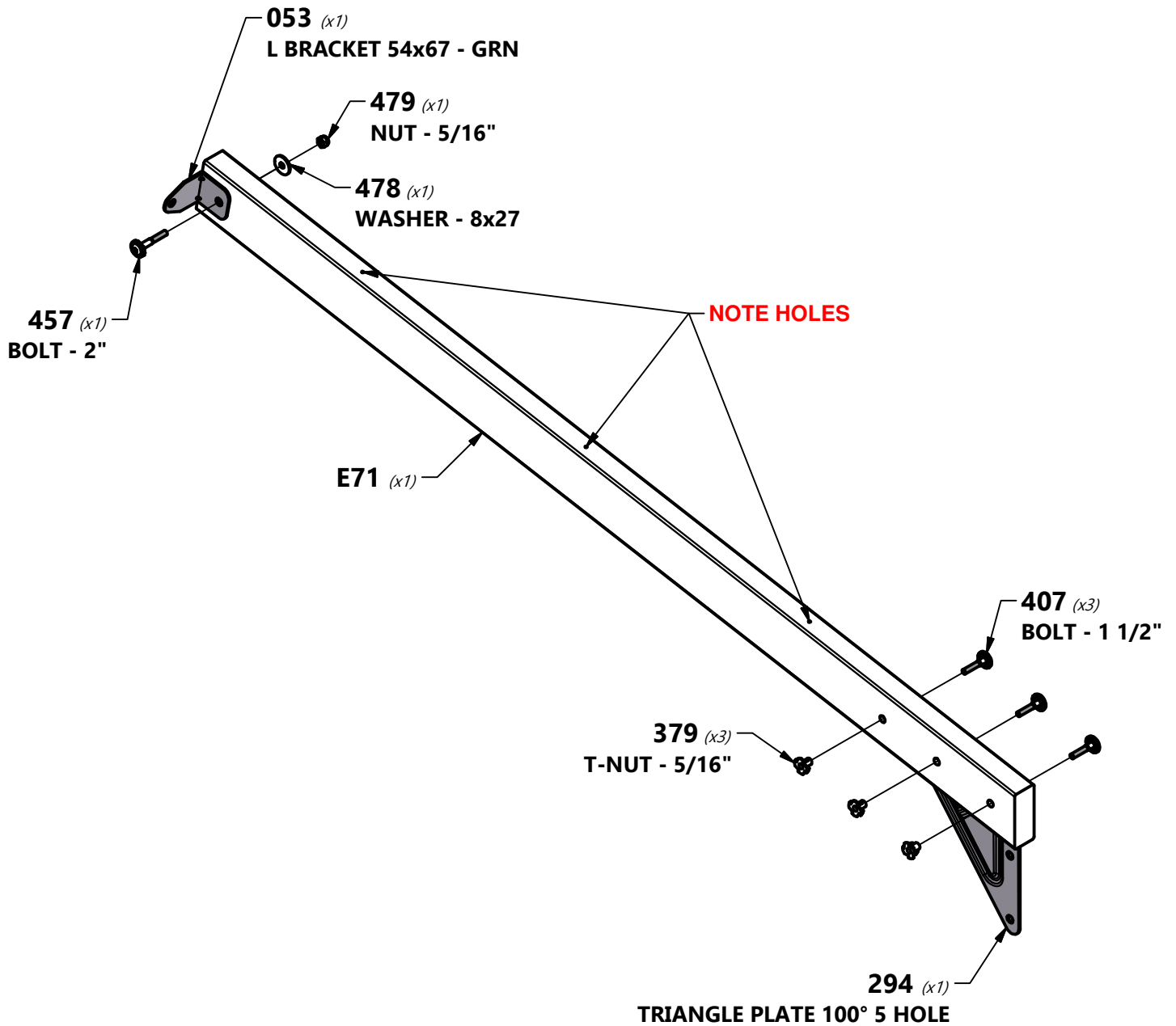
A100053 | L BRACKET
(x1) | 54x67 - GRN



A100294 | TRIANGLE
(x1) | PLATE 100° 5
HOLE

QTY	PART NUMBER	DESCRIPTION
3	H100379	T-NUT 5/16 BLK
3	H100407	BOLT WH 5/16x1 1/2 BLK
1	H100457	BOLT WH 5/16x2 BLK
1	H100478	WASHER FLAT 8x27 BLK
1	H100479	NUT LOCK 5/16 BLK

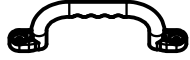
TIP:
INSTALL T-NUTS IN WOOD FIRST



STEP 3 - MONKEY BAR ASSEMBLY



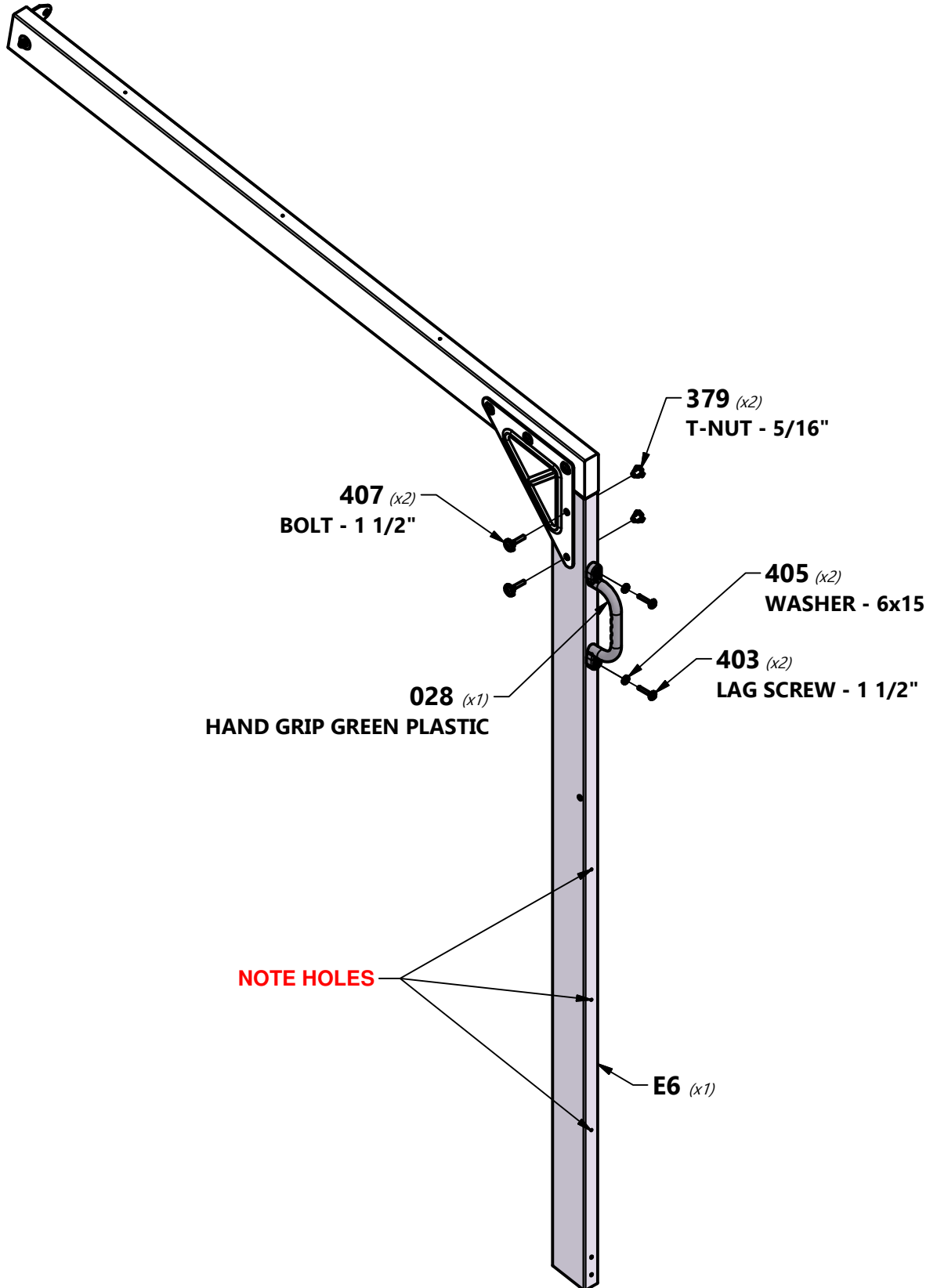
E6 | MONKEY BAR UPRIGHT - W4L14536
 (x1) | 1 3/8"x3 3/8"x71 3/8" (36x86x1812)



A100028 | HAND GRIP GREEN PLASTIC
 (x1)

QTY	PART NUMBER	DESCRIPTION
2	H100379	T-NUT 5/16 BLK
2	H100407	BOLT WH 5/16x1 1/2 BLK
2	H100403	LAG SCREW WH 1/4x1-1/2 BLK
2	H100405	WASHER LOCK EXT 6x15 BLK

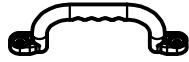
TIP:
INSTALL T-NUTS IN WOOD FIRST



STEP 4 - MONKEY BAR ASSEMBLY



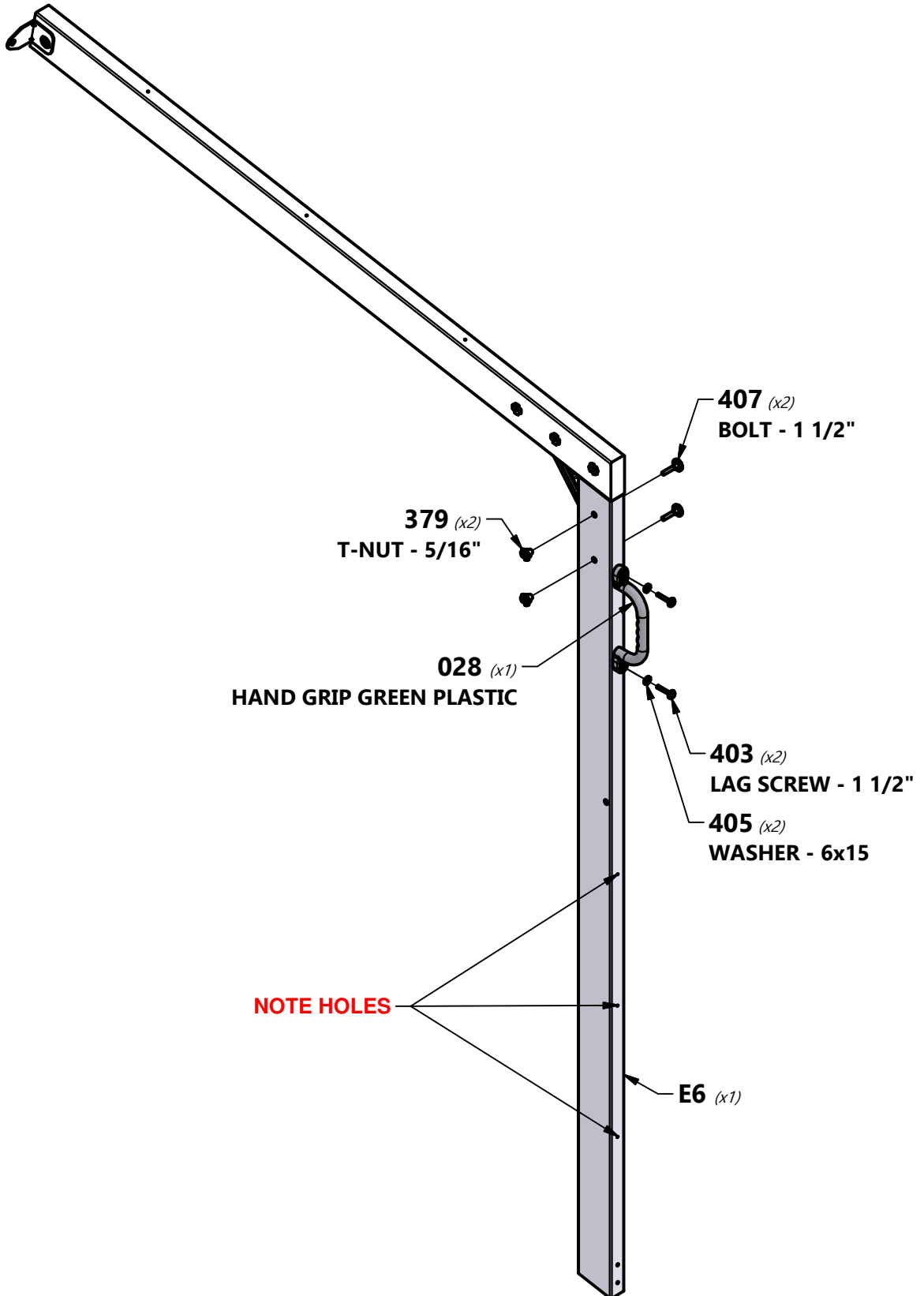
E6 | MONKEY BAR UPRIGHT - W4L14536
 (x1) | 1 3/8"x3 3/8"x71 3/8" (36x86x1812)



A100028 | HAND GRIP GREEN PLASTIC
 (x1)

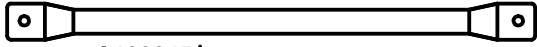
QTY	PART NUMBER	DESCRIPTION
2	H100379	T-NUT 5/16 BLK
2	H100407	BOLT WH 5/16x1 1/2 BLK
2	H100403	LAG SCREW WH 1/4x1-1/2 BLK
2	H100405	WASHER LOCK EXT 6x15 BLK

TIP:
INSTALL T-NUTS IN WOOD FIRST

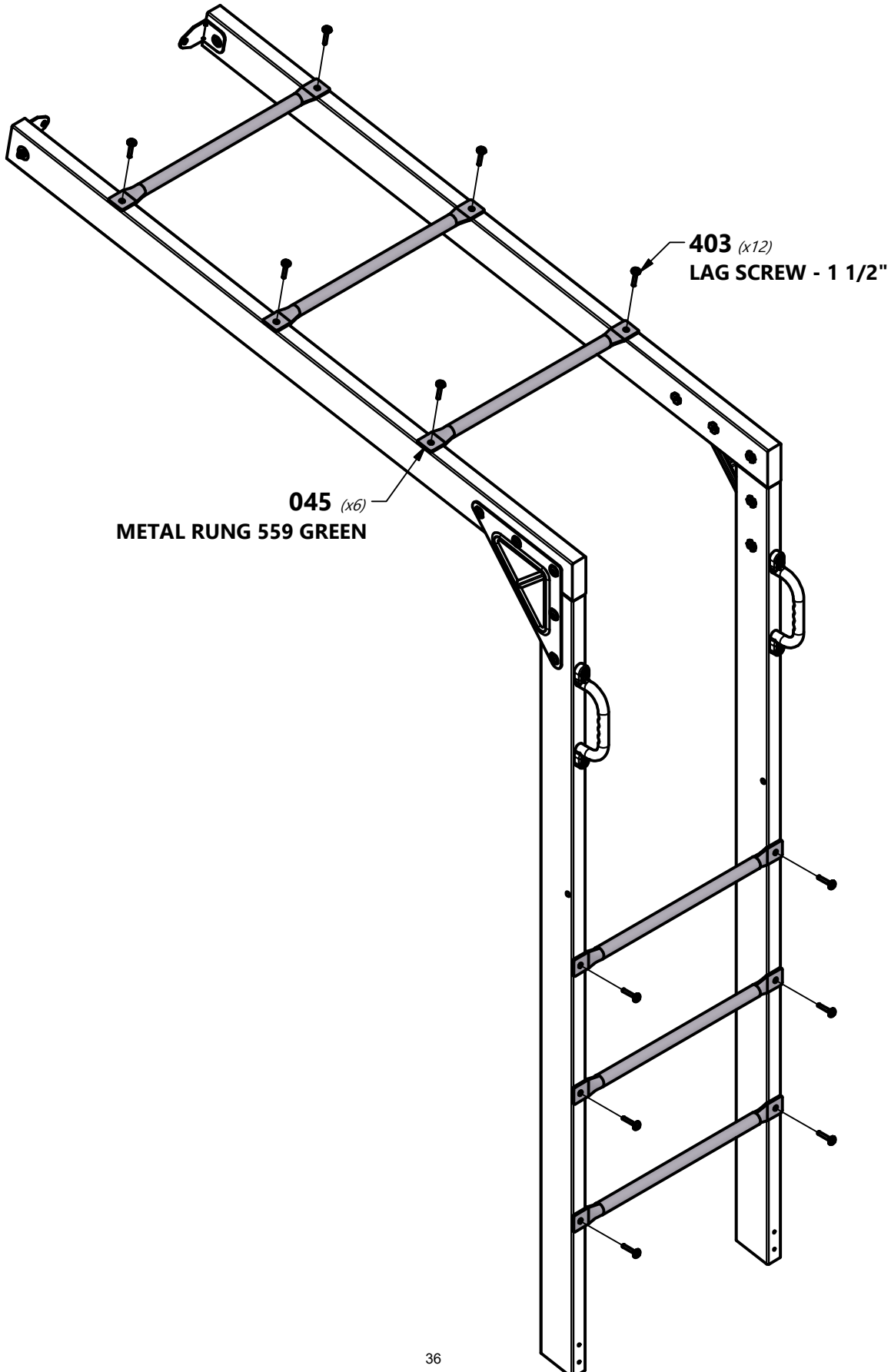


STEP 5 - MONKEY BAR ASSEMBLY

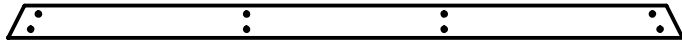
QTY	PART NUMBER	DESCRIPTION
12	H100403	LAG SCREW WH 1/4x1-1/2 BLK



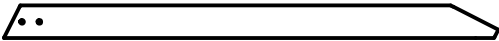
A100045
(x6) METAL RUNG 559 GREEN



STEP 6 - MONKEY BAR ASSEMBLY



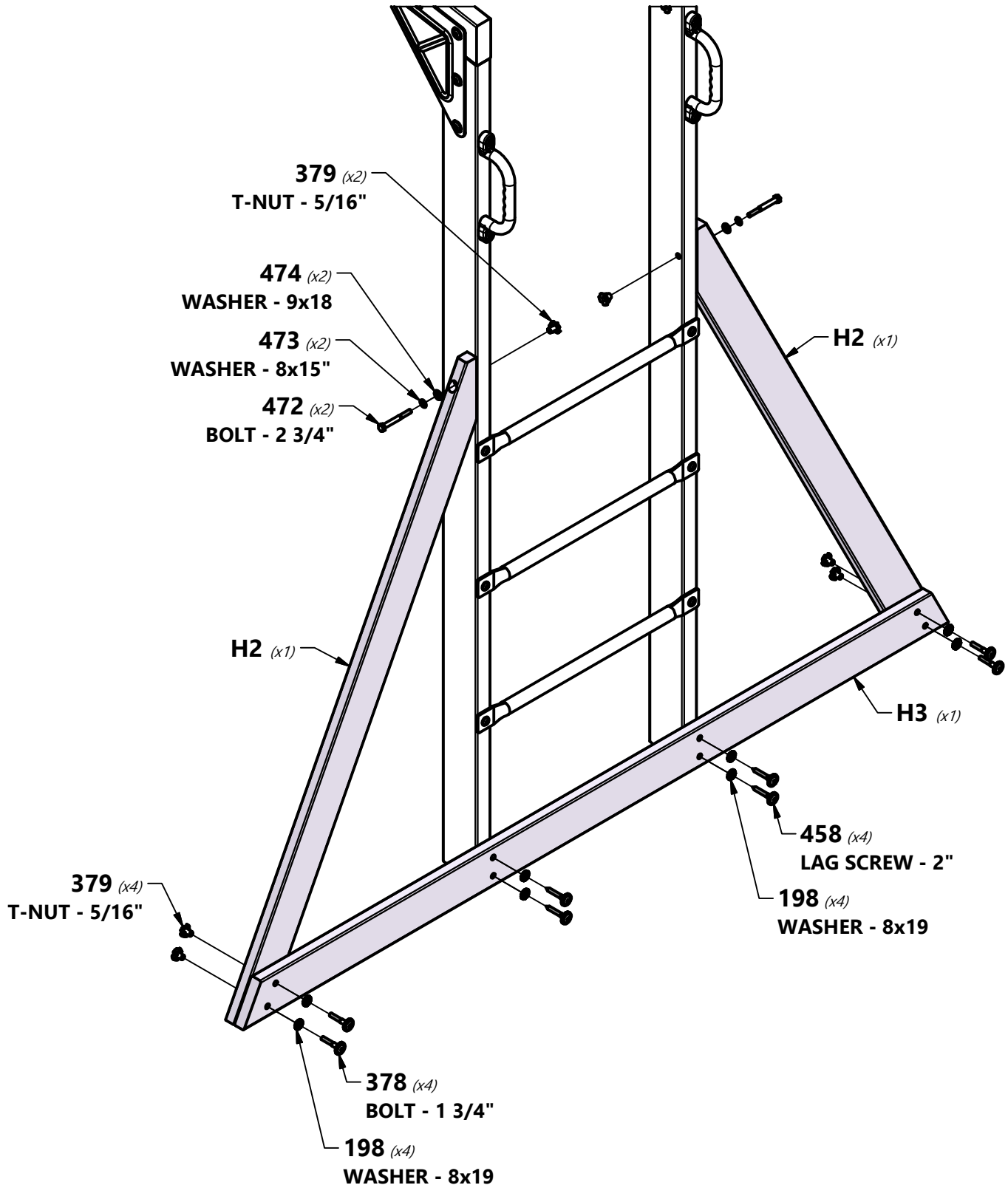
H3 MONKEY BAR GROUND BOARD - W4L14545
 (x1) 1"x3 3/8"x70 3/8" (24x86x1786)



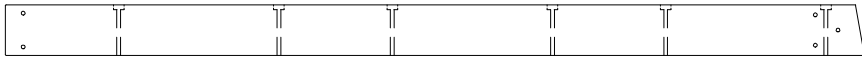
H2 MONKEY BAR BRACE - W4L14544
 (x2) 1"x3 3/8"x51 1/2" (24x86x1308 mm)

QTY	PART NUMBER	DESCRIPTION
8	H100198	WASHER LOCK EXT 8x19 BLK
4	H100378	BOLT WH 5/16x1 3/4 BLK
6	H100379	T-NUT 5/16 BLK
4	H100458	LAG SCREW WH 5/16x2 BLK
2	H100472	BOLT HEX 5/16x2-3/4 BLK
2	H100473	WASHER LOCK INT 8x15 BLK
2	H100474	WASHER FLAT 9x18 BLK

TIP:
INSTALL T-NUTS IN WOOD FIRST

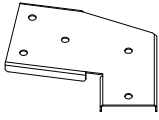


STEP 1 - SWING BEAM ASSEMBLY

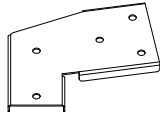


SB74 | SWING BEAM EXTENDED - W4L16477
(x1) | 2"x5 1/4"x89 1/2" (50x134x2274)

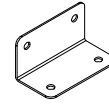
QTY	PART NUMBER	DESCRIPTION
3	H100192	NUT BARREL WH 5/16x7/8 BLK
3	H100378	BOLT WH 5/16x1 3/4 BLK
2	H100472	BOLT HEX 5/16x2-3/4 BLK
4	H100478	WASHER FLAT 8x27 BLK
2	H100479	NUT LOCK 5/16 BLK



A100325 | SWING BEAM
EXTENSION
BRACKET-LEFT
(x1)

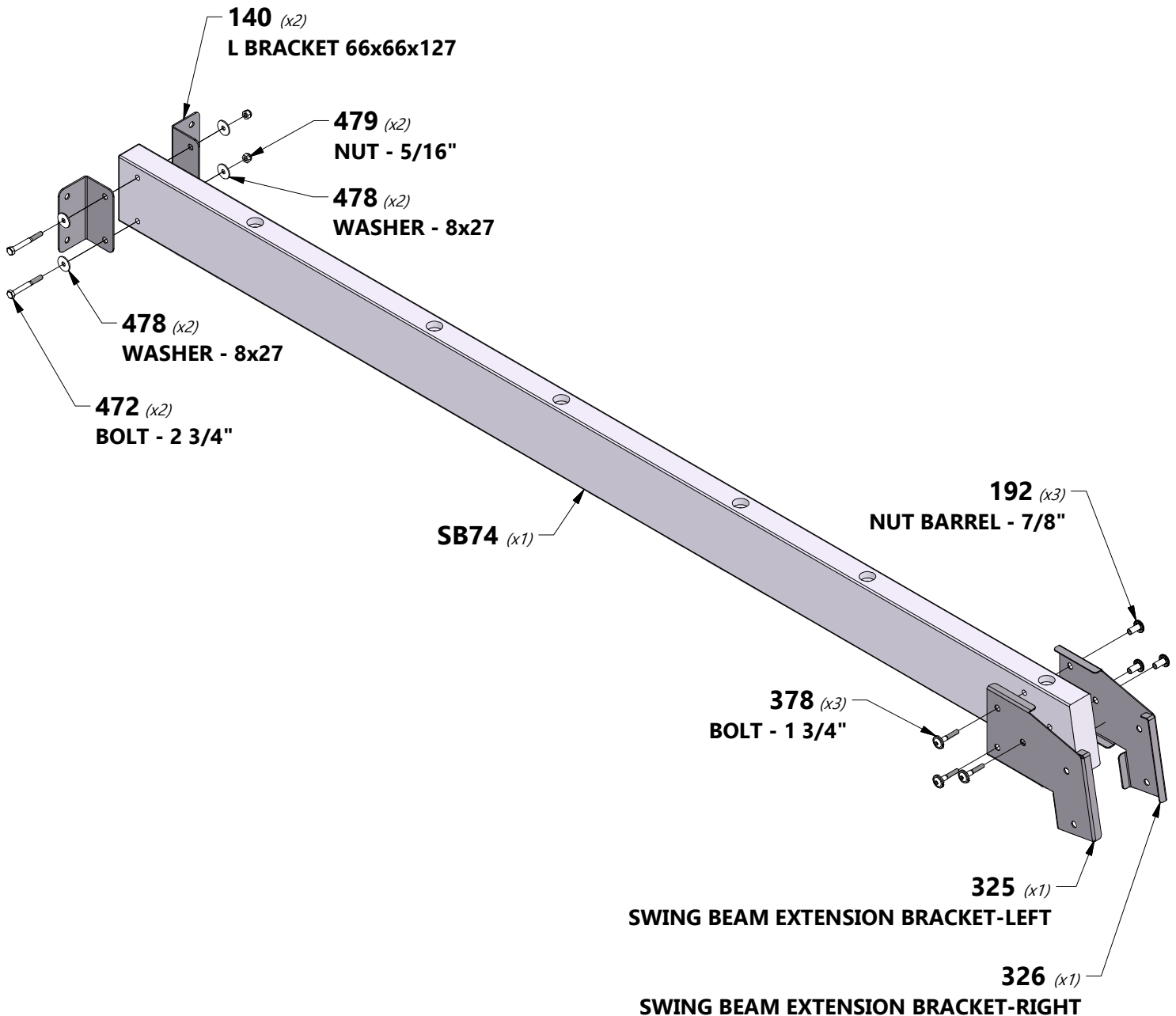


A100326 | SWING BEAM
EXTENSION
BRACKET-RIGHT
(x1)



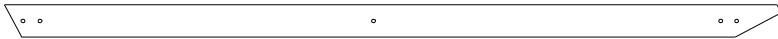
A100140 | L BRACKET
(x2) | 66x66x127

TIP:
LEAVE 378 BOLTS HAND TIGHT AT THIS TIME



STEP 2 - SWING BEAM ASSEMBLY

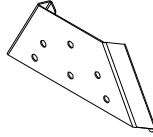
QTY	PART NUMBER	DESCRIPTION
6	H100379	T-NUT 5/16 BLK
4	H100407	BOLT WH 5/16x1 1/2 BLK
2	H100503	BOLT WH 5/16x3-1/2 BLK



E77 | ANGLE BRACE - W4L14540
(x2) | 1 3/8"x3 3/8"x81" (36x86x2056)

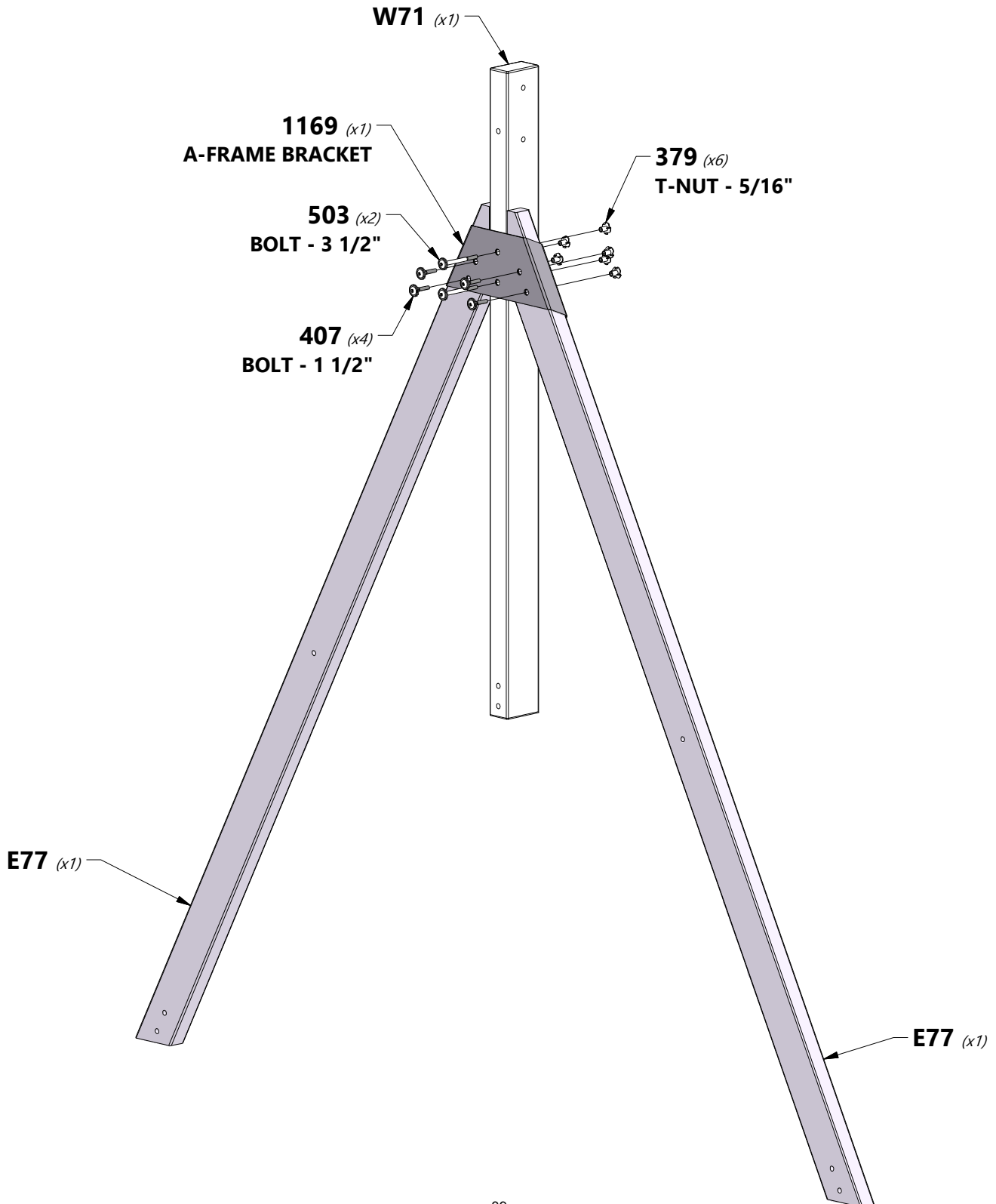


W71 | SWING BEAM SUPPORT - W4L14615
(x1) | 2"x3 3/8"x50 3/8" (50x86x1280)

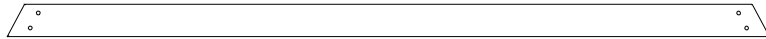


A4M01169 | A-FRAME BRACKET
(x1)

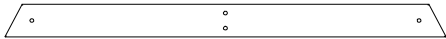
TIP:
INSTALL T-NUTS IN WOOD FIRST



STEP 3 - SWING BEAM ASSEMBLY



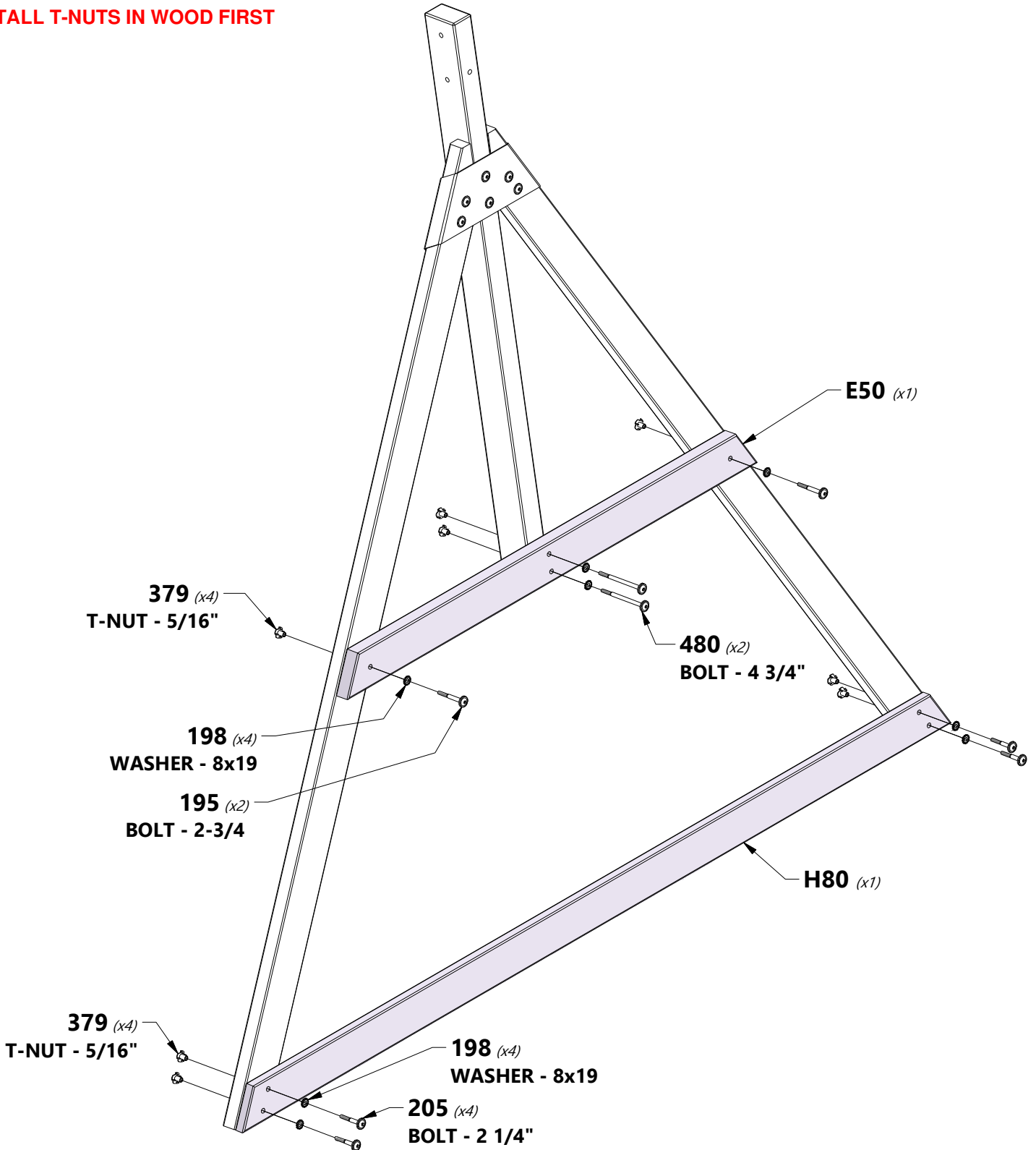
H80 | GROUND BOARD - W4L14552
(x1) | 1"x3 3/8"x79 1/2" (24x86x2018)



E50 | END SUPPORT - W4L14538
(x1) | 1 1/2"x3 1/2"x46" (36x86x1168)

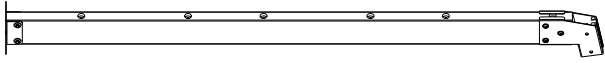
QTY	PART NUMBER	DESCRIPTION
2	H100195	BOLT WH 5/16x2-3/4 BLK
8	H100198	WASHER LOCK EXT 8x19 BLK
4	H100205	BOLT WH 5/16x2-1/4 BLK
8	H100379	T-NUT 5/16 BLK
2	H100480	BOLT WH 5/16x4 3/4 BLK

TIP:
INSTALL T-NUTS IN WOOD FIRST

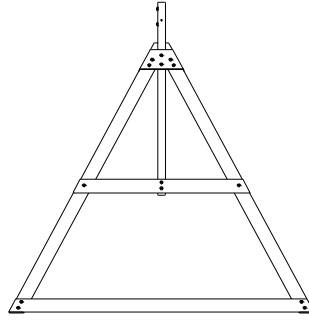


STEP 4 - SWING BEAM ASSEMBLY

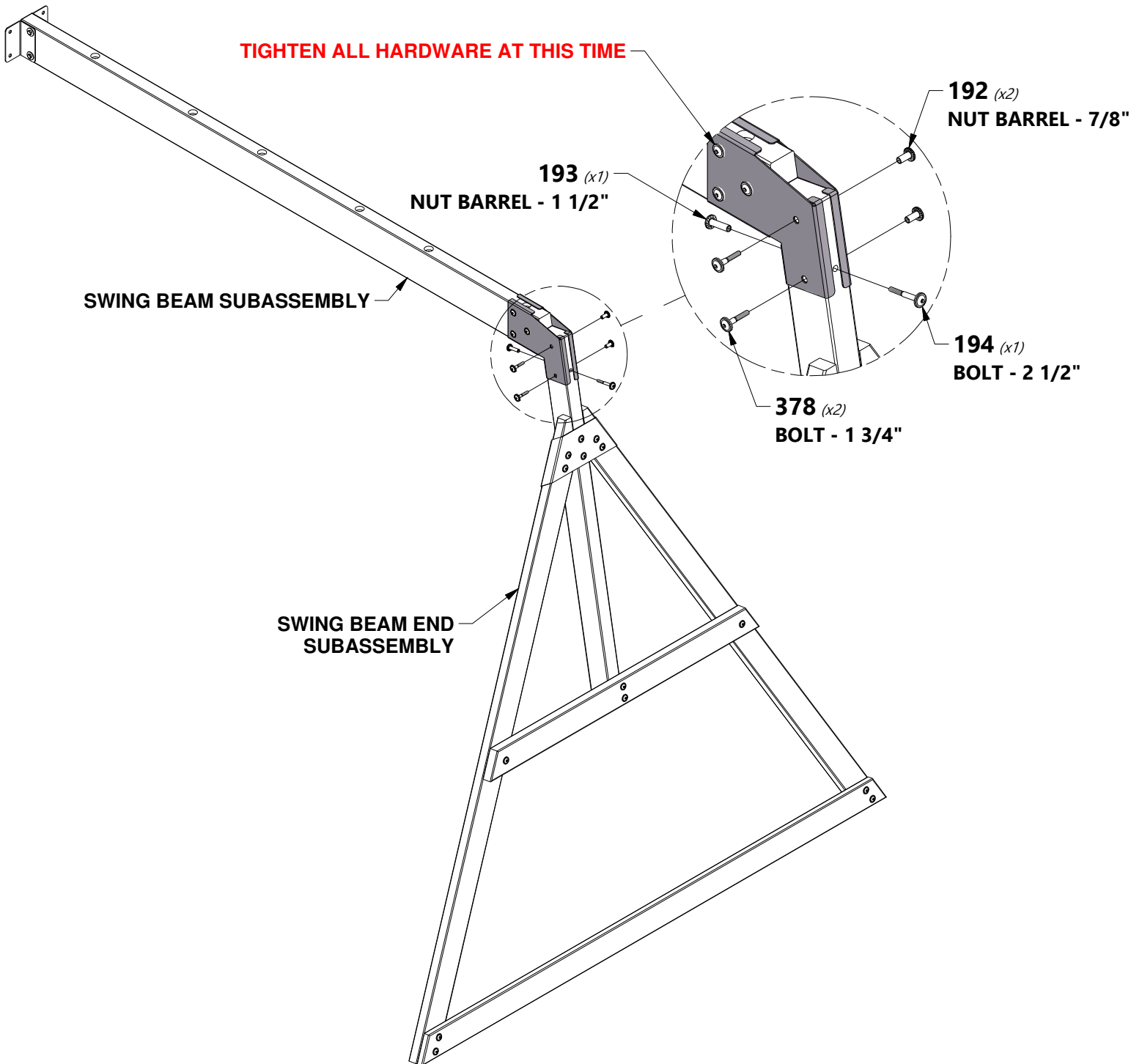
QTY	PART NUMBER	DESCRIPTION
2	H100192	NUT BARREL WH 5/16x7/8 BLK
1	H100193	NUT BARREL WH 5/16x1-1/2 BLK
1	H100194	BOLT WH 5/16x2-1/2 BLK
2	H100378	BOLT WH 5/16x1 3/4 BLK



(x1) SWING BEAM SUBASSEMBLY

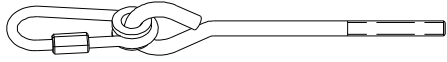


(x1) SWING BEAM END SUBASSEMBLY

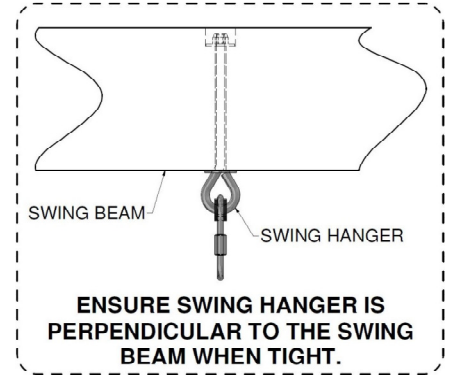
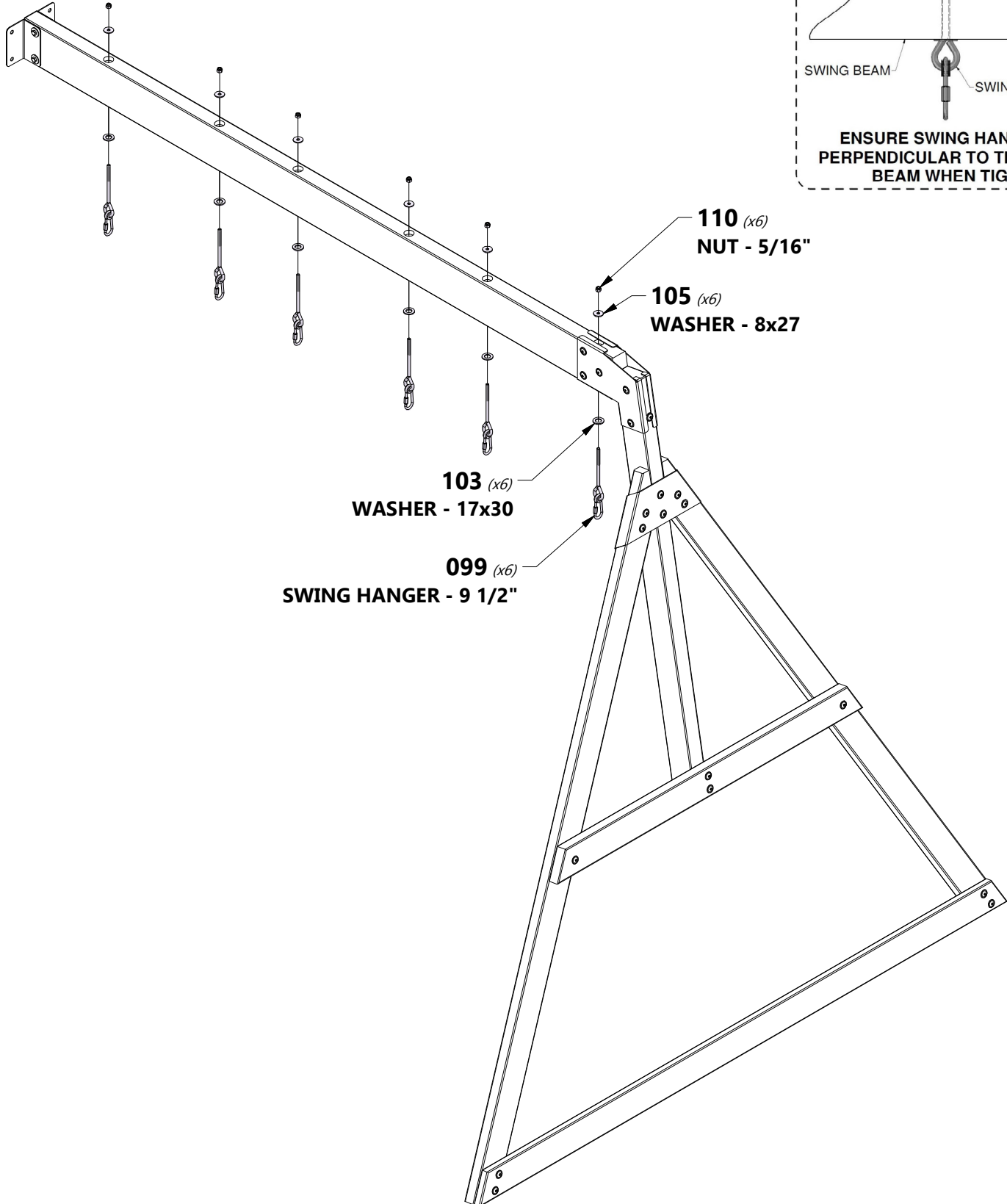


STEP 5 - SWING BEAM ASSEMBLY

QTY	PART NUMBER	DESCRIPTION
6	H100103	WASHER SAFETY 17x30
6	H100105	WASHER FLAT 8x27
6	H100110	NUT LOCK 5/16



H100099 | 9 1/2" SWING HANGER QUICK LINK
(x6)

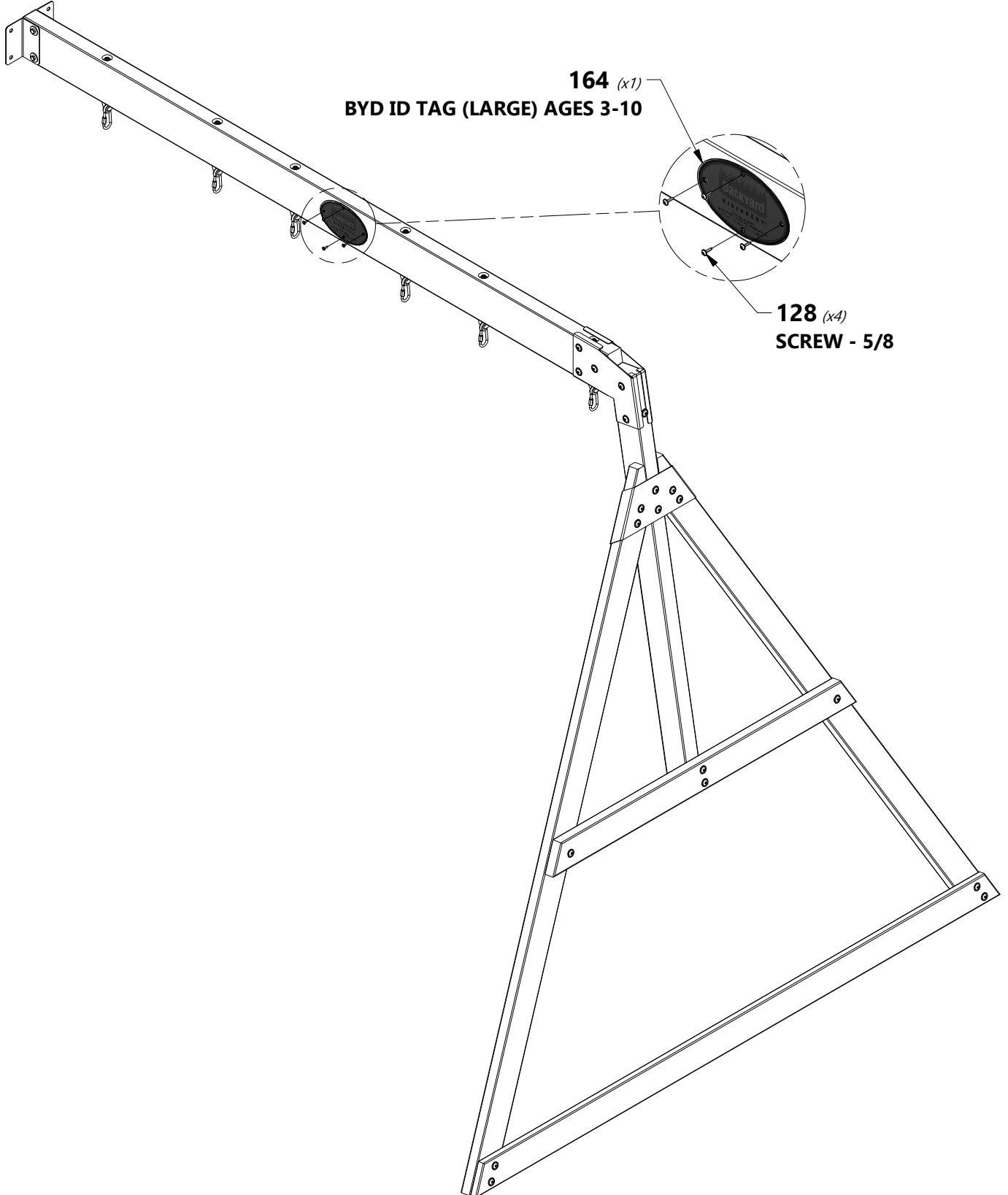


STEP 6 - SWING BEAM ASSEMBLY

QTY	PART NUMBER	DESCRIPTION
4	H100128	SCREW PWH 8x5/8



A100164
(x1) | **BYD ID TAG (LARGE) AGES 3-10**

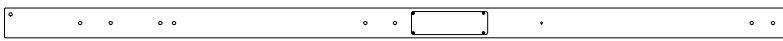


164 *(x1)*
BYD ID TAG (LARGE) AGES 3-10

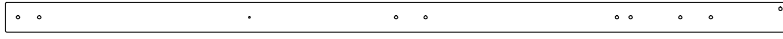
128 *(x4)*
SCREW - 5/8

STEP 1A - FORT ASSEMBLY

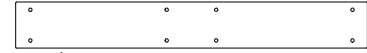
QTY	PART NUMBER	DESCRIPTION
14	H100198	WASHER LOCK EXT 8x19 BLK
4	H100205	BOLT WH 5/16x2-1/4 BLK
12	H100379	T-NUT 5/16 BLK
8	H100457	BOLT WH 5/16x2 BLK
2	H100471	LAG SCREW WH 5/16x1-1/2 BLK



E1 | UPRIGHT - W2A03132
(x1) | 1 3/8"x3 3/8"x89 1/2" (36x86x2274)



E3 | UPRIGHT - W4L14533
(x1) | 1 3/8"x3 3/8"x89 1/2" (36x86x2274)



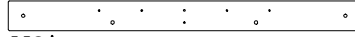
G1 | SWING BEAM MOUNT - W4L14542
(x1) | 1"x5 1/4"x40 3/8" (24x134x1024)



N1 | SAFETY BOARD - W4L14602
(x1) | 5/8"x2 3/8"x40 3/8" (16x60x1024)



M7 | FLOOR SUPPORT - W4L14577
(x1) | 5/8"x3 3/8"x40 3/8" (16x86x1024)

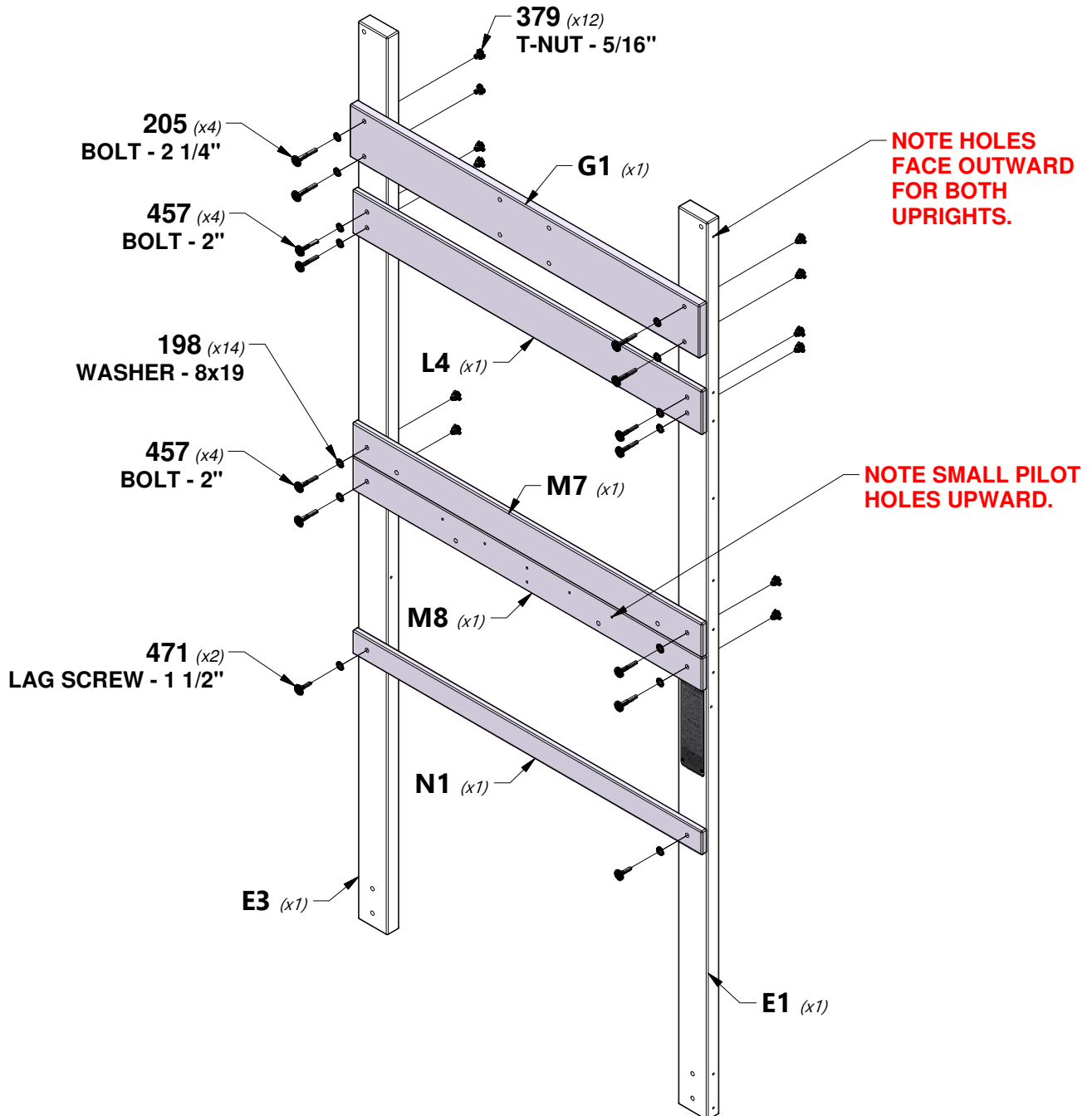


M8 | FLOOR SUPPORT - W4L14578
(x1) | 5/8"x3 3/8"x40 3/8" (16x86x1024)



L4 | WALL RAIL - W4L14566
(x1) | 5/8"x4 3/8"x40 3/8" (16x112x1024)

TIP:
INSTALL T-NUTS IN WOOD FIRST

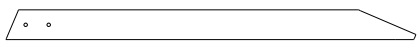


STEP 1B - FORT ASSEMBLY

QTY	PART NUMBER	DESCRIPTION
8	H100198	WASHER LOCK EXT 8x19 BLK
8	H100379	T-NUT 5/16 BLK
2	H100405	WASHER LOCK EXT 6x15 BLK
4	H100407	BOLT WH 5/16x1 1/2 BLK
4	H100457	BOLT WH 5/16x2 BLK
2	H100487	LAG SCREW WH 1/4x2 BLK

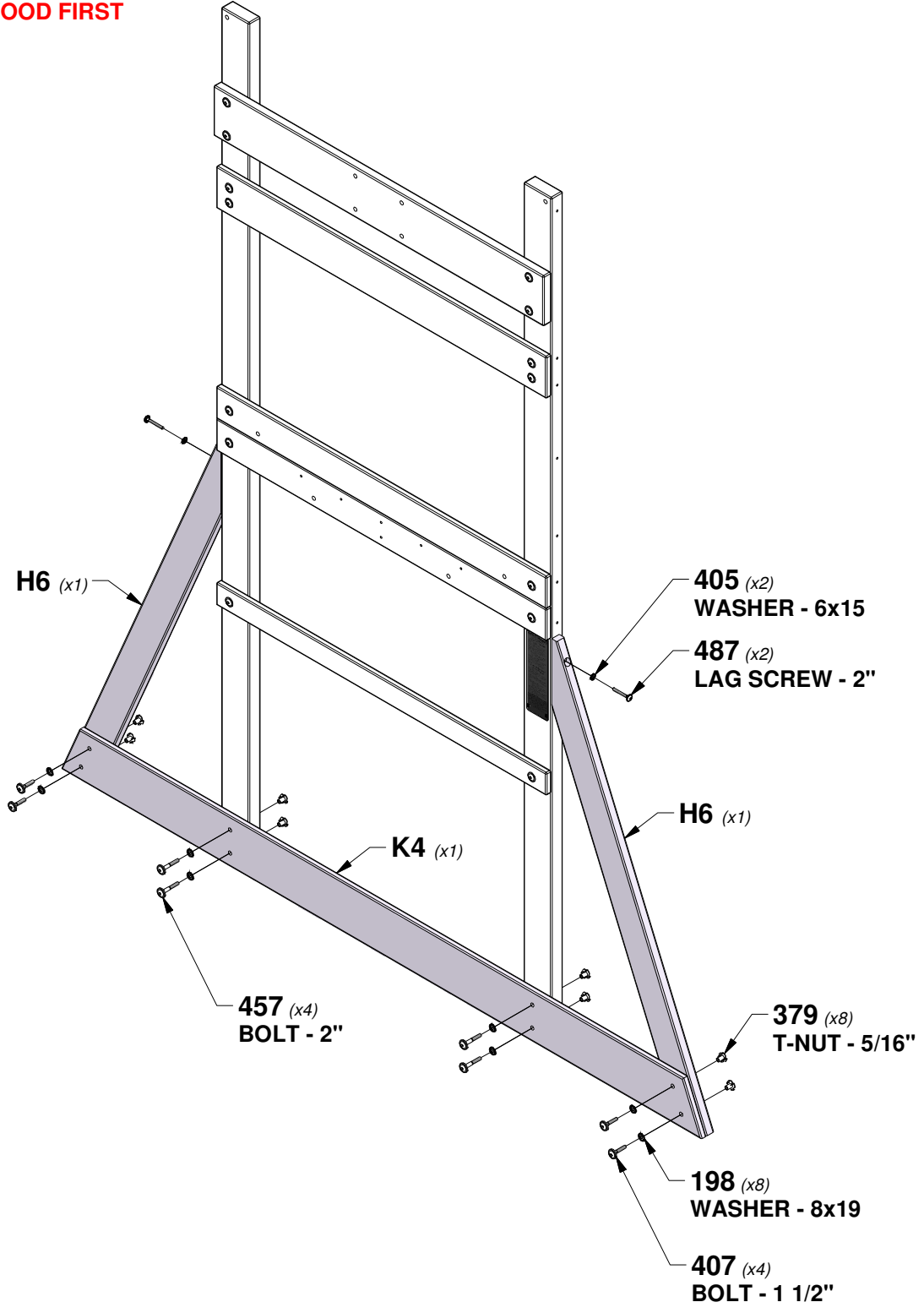


K4 | GROUND BOARD - W4L14560
(x1) | 5/8"x5 1/4"x78 1/4" (16x134x1986)



H6 | ANGLE BRACE - W4L14549
(x2) | 15/16"x3 3/8"x47" (24x86x1194)

TIP:
INSTALL T-NUTS IN WOOD FIRST



STEP 2 - FORT ASSEMBLY

QTY	PART NUMBER	DESCRIPTION
18	H100198	WASHER LOCK EXT 8x19 BLK
18	H100458	LAG SCREW WH 5/16x2 BLK



E2 | UPRIGHT - W4L14532
(x1) | 1 3/8"x3 3/8"x73 1/8" (36x86x1856)



E5 | UPRIGHT - W4L14535
(x1) | 1 3/8"x3 3/8"x73 1/8" (36x86x1856)



L1 | WALL RAIL - W4L14563
(x1) | 5/8"x4 3/8"x40 3/8" (16x112x1024)



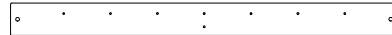
K3 | FLOOR SUPPORT - W4L14559
(x1) | 5/8"x5 1/4"x40 3/8" (16x134x1024)



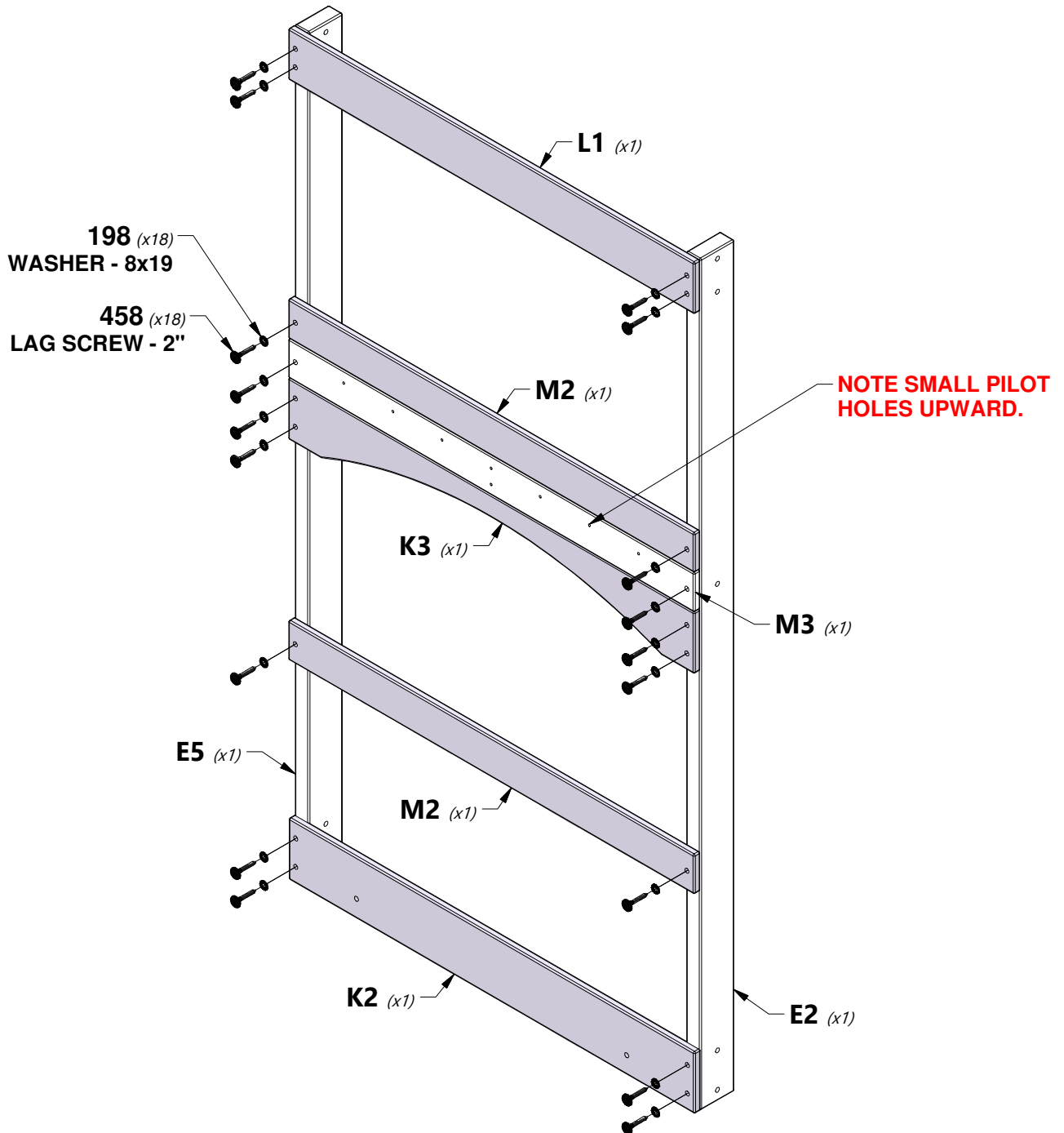
K2 | GROUND BOARD - W4L14558
(x1) | 5/8"x5 1/4"x40 3/8" (16x134x1024)



M2 | FLOOR SUPPORT - W4L14572
(x2) | 5/8"x3 3/8"x40 3/8" (16x86x1024)



M3 | FLOOR SUPPORT - W4L14573
(x1) | 5/8"x3 3/8"x40 3/8" (16x86x1024)



STEP 3 - FORT ASSEMBLY

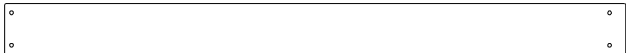
QTY	PART NUMBER	DESCRIPTION
20	H100198	WASHER LOCK EXT 8x19 BLK
12	H100379	T-NUT 5/16 BLK
10	H100457	BOLT WH 5/16x2 BLK
10	H100458	LAG SCREW WH 5/16x2 BLK



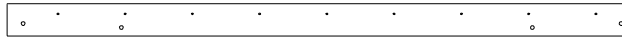
L2 | WALL RAIL - W4L14564
(x1) | 5/8"x4 3/8"x64 3/4" (16x112x1644)



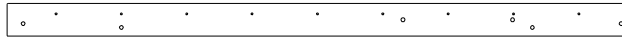
L3 | WALL RAIL - W4L14565
(x1) | 5/8"x4 3/8"x64 3/4" (16x112x1644)



K1 | GROUND BOARD - W4L14557
(x2) | 5/8"x5 1/4"x64 3/4" (16x134x1644)

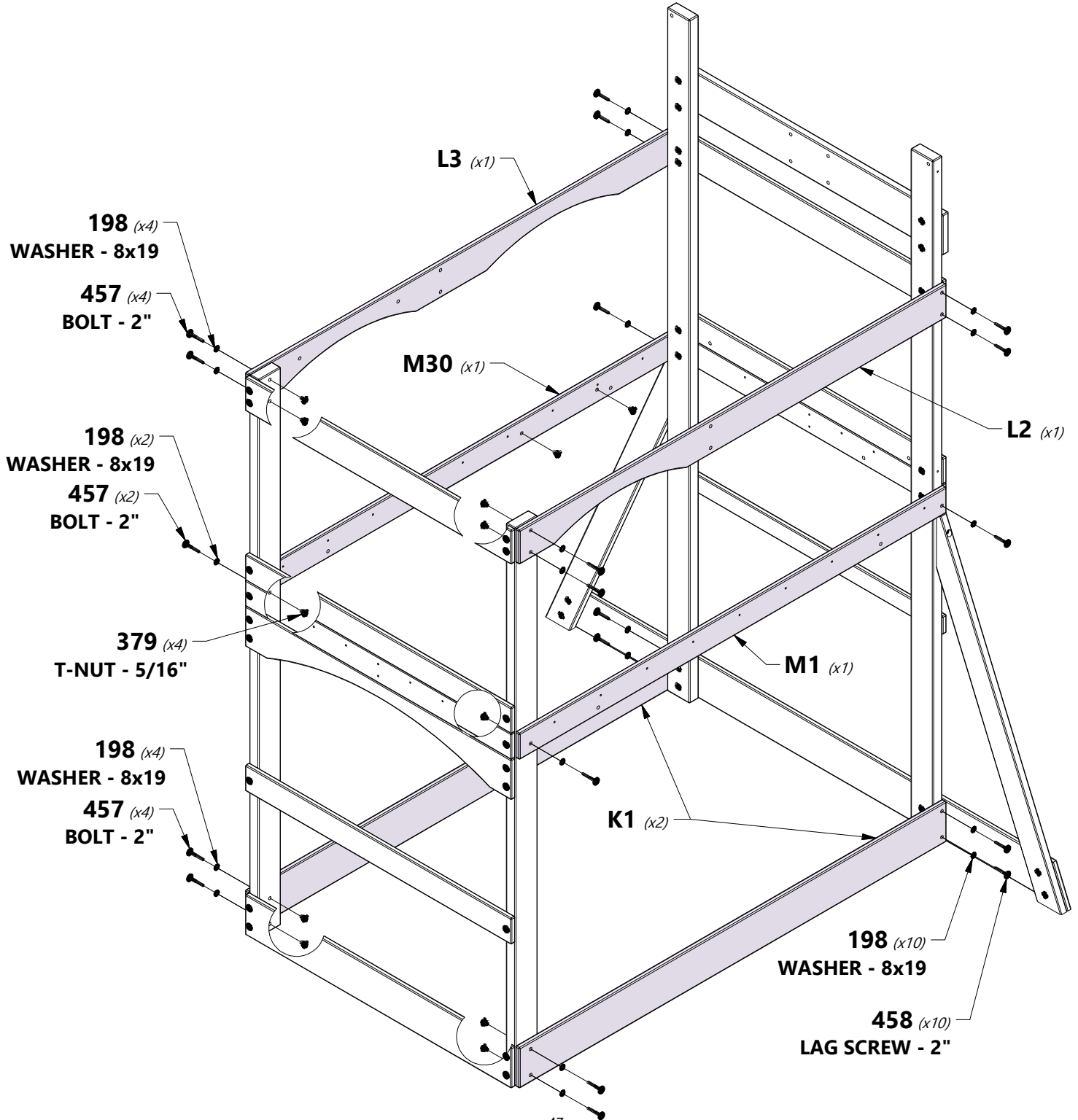


M1 | FLOOR SUPPORT - W4L14571
(x1) | 5/8"x3 3/8"x64 3/4" (16x86x1644)



M30 | FLOOR SUPPORT - W4L14598
(x1) | 5/8"x3 3/8"x64 3/4" (16x86x1644)

TIP:
INSTALL T-NUTS IN WOOD FIRST

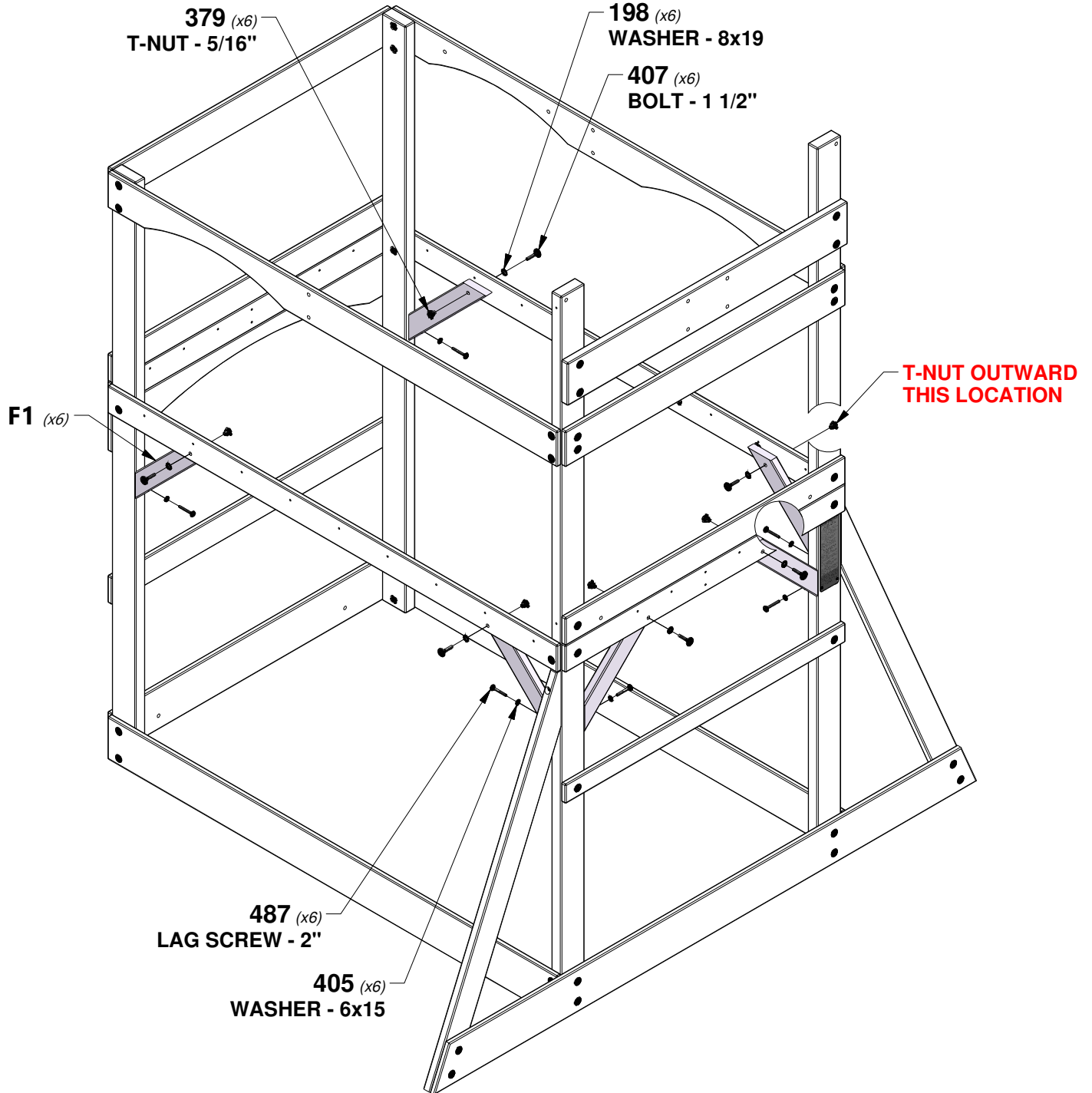


STEP 4 - FORT ASSEMBLY

F1 | DECK BRACE - W4L14541
 (x6) | 1"x2 3/8"x15 3/4" (24x60x400)

QTY	PART NUMBER	DESCRIPTION
6	H100198	WASHER LOCK EXT 8x19 BLK
6	H100379	T-NUT 5/16 BLK
6	H100405	WASHER LOCK EXT 6x15 BLK
6	H100407	BOLT WH 5/16x1 1/2 BLK
6	H100487	LAG SCREW WH 1/4x2 BLK

TIP:
 INSTALL T-NUTS IN WOOD FIRST



STEP 5 - FORT ASSEMBLY

QTY	PART NUMBER	DESCRIPTION
46	H100088	SCREW PFH 8x1-1/8"
2	H100202	SCREW PWH 8x5/8 BLK

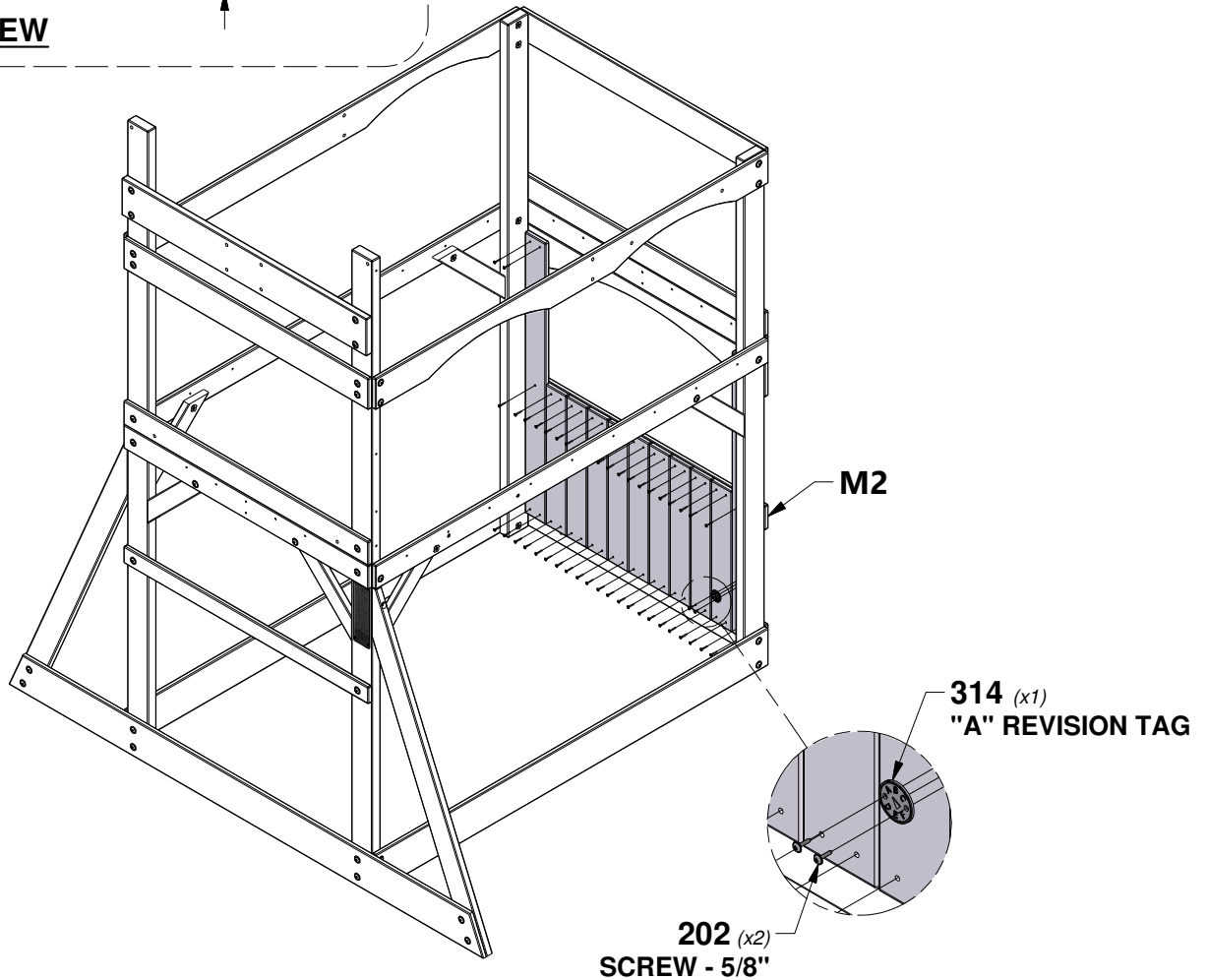
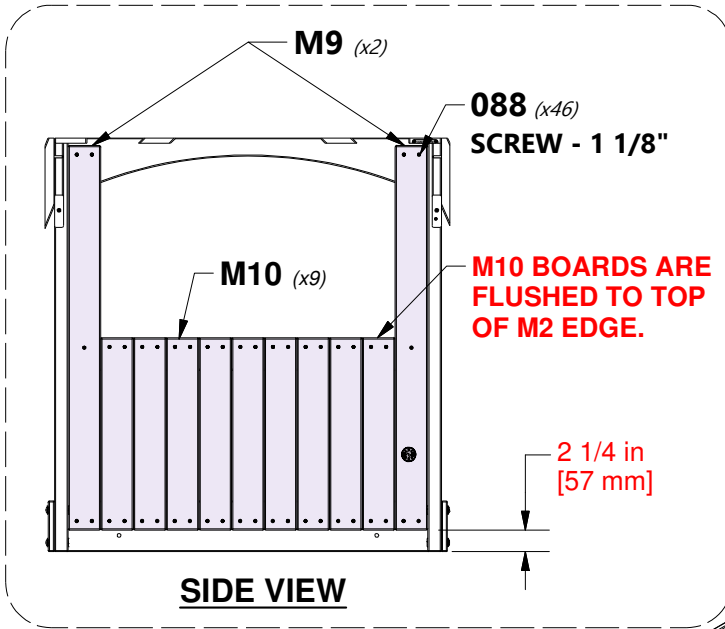
M9 | WALL BOARD - W4L14579
(x2) | 5/8"x3 3/8"x40" (16x86x1016)

M10 | WALL BOARD - W4L14580
(x9) | 5/8"x3 3/8"x20" (16x86x508)



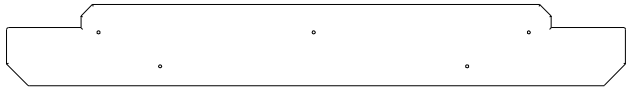
A100314 | "A" REVISION TAG
(x1)

TIP:
INSTALL T-NUTS IN WOOD FIRST

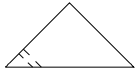


STEP 6 - FORT ASSEMBLY

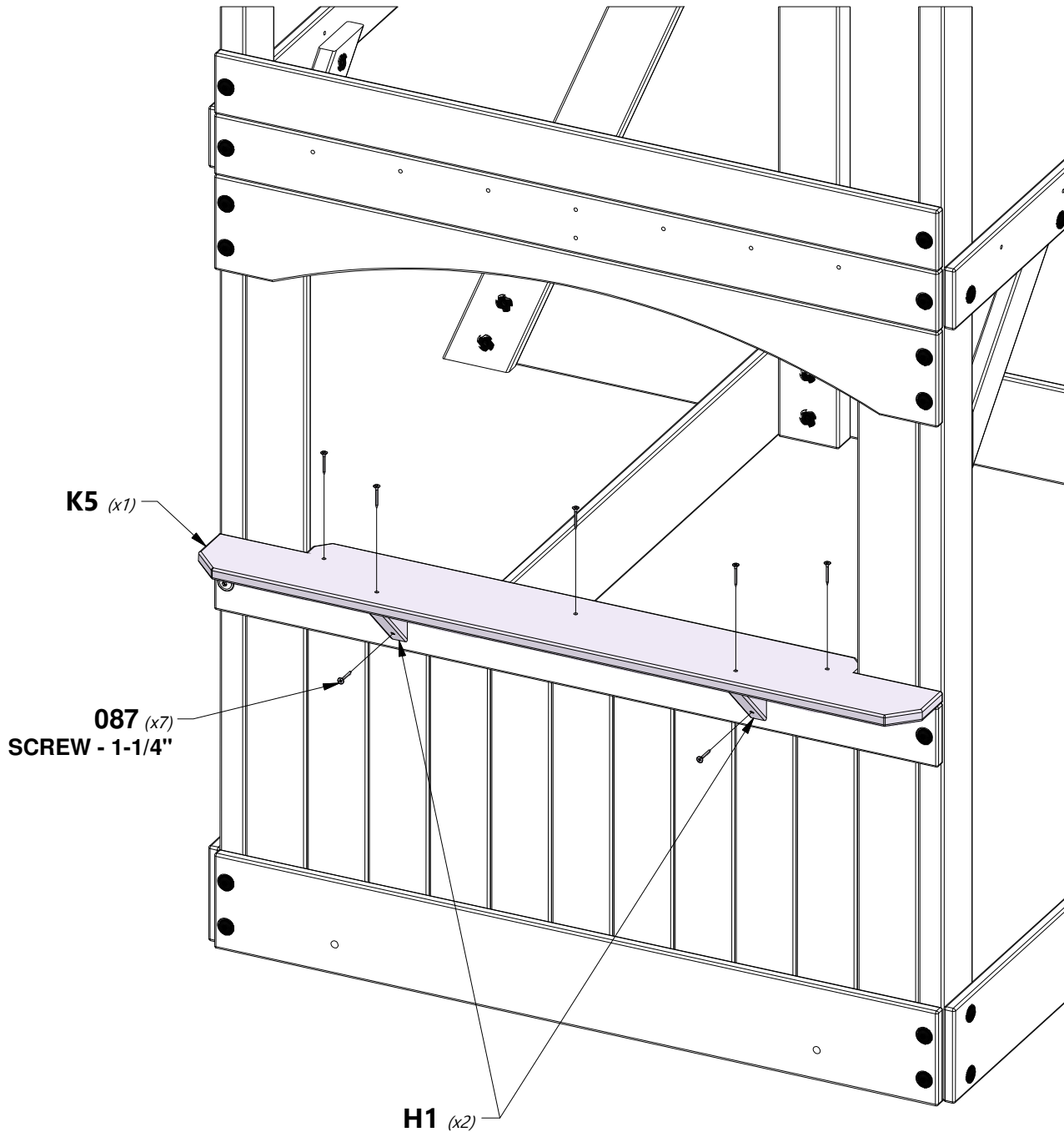
QTY	PART NUMBER	DESCRIPTION
7	H100087	SCREW PFH 8x1-1/4"



K5 | COUNTER TOP - W4L14561
(x1) | 5/8"x5 1/4"x40 3/8" (16x134x1024)



H1 | TABLE SUPPORT - W4L14543
(x2) | 1"x2"x4" (24x51x102)



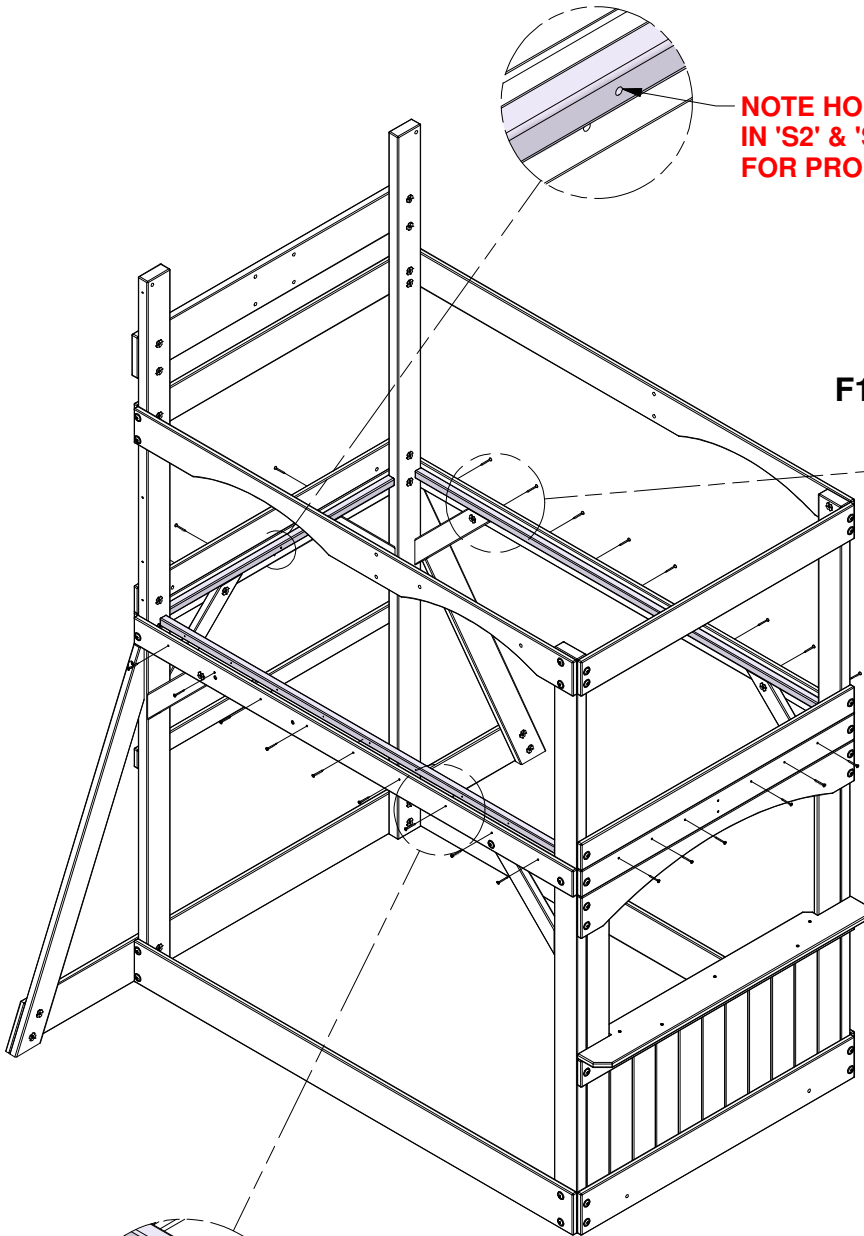
STEP 7 - FORT ASSEMBLY

QTY	PART NUMBER	DESCRIPTION
28	H100086	SCREW PFH 8x1-1/2"

S1 | FLOOR SUPPORT - W4L14612
(x2) | 1"x1"x59 7/8" (24x24x1522)

S2 | FLOOR SUPPORT - W4L14613
(x1) | 1"x1"x37 1/2" (24x24x952)

S3 | FLOOR SUPPORT - W4L14614
(x1) | 1"x1"x33 1/2" (24x24x852)

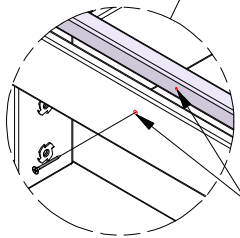


**NOTE HOLE LOCATION
IN 'S2' & 'S3' BOARDS
FOR PROPER ASSEMBLY.**

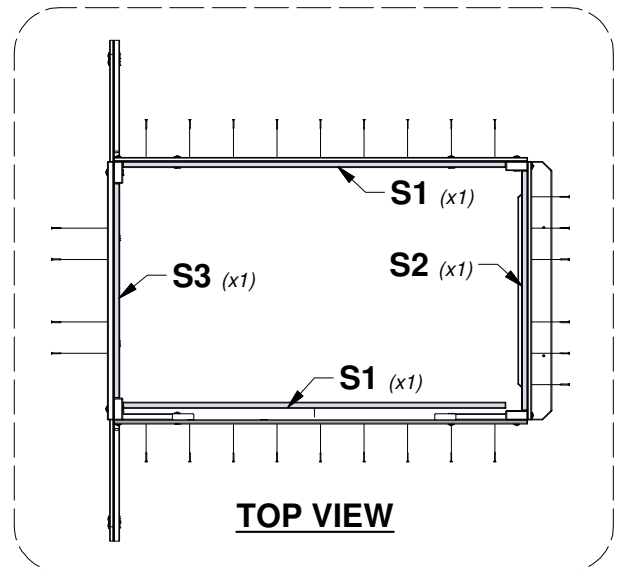
**086 (x28)
SCREW - 1 1/2"**

F1

**NOTE: S1 AND S3 BOARDS SHOULD
SIT ON F1 BRACE BOARDS. TOP OF
S2 BOARD IS FLUSH WITH THE TOP
OF BOTH S1 BOARDS.**



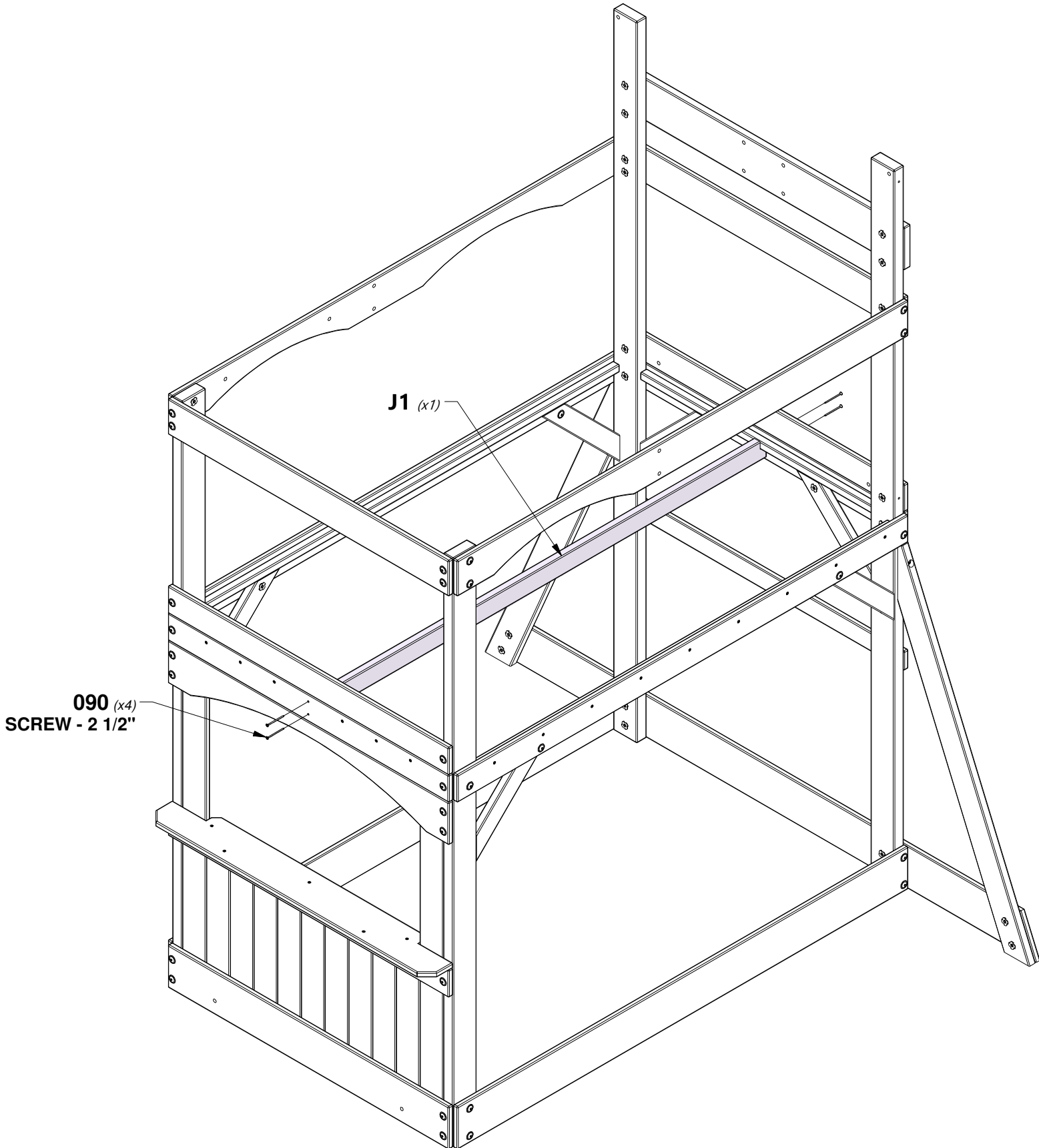
**ALIGN PILOT HOLES IN (S) BOARDS
WITH THRU HOLES IN THEIR MATING
BOARDS.**



STEP 8 - FORT ASSEMBLY

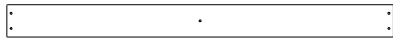
QTY	PART NUMBER	DESCRIPTION
4	H100090	SCREW PFH 8x2 1/2

J1 | JOIST - W4L14556
(x1) | 1"x2 3/8"x64 3/4" (24x60x1644)

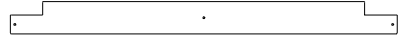


STEP 9 - FORT ASSEMBLY

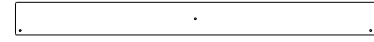
QTY	PART NUMBER	DESCRIPTION
91	H100086	SCREW PFH 8x1-1/2"



M4 | FLOOR BOARD - W4L14574
(x2) | 5/8"x3 3/8"x40 3/8" (16x86x1024)



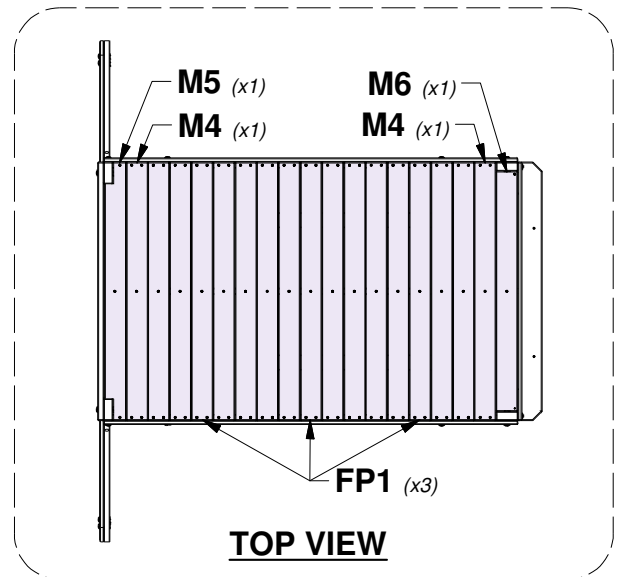
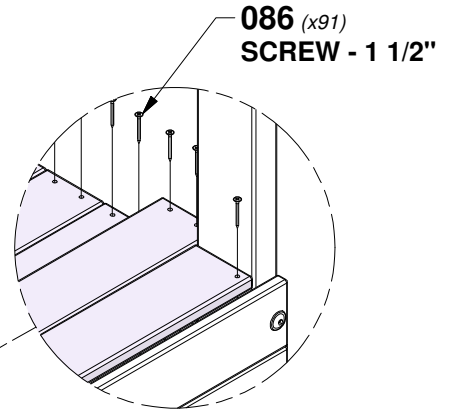
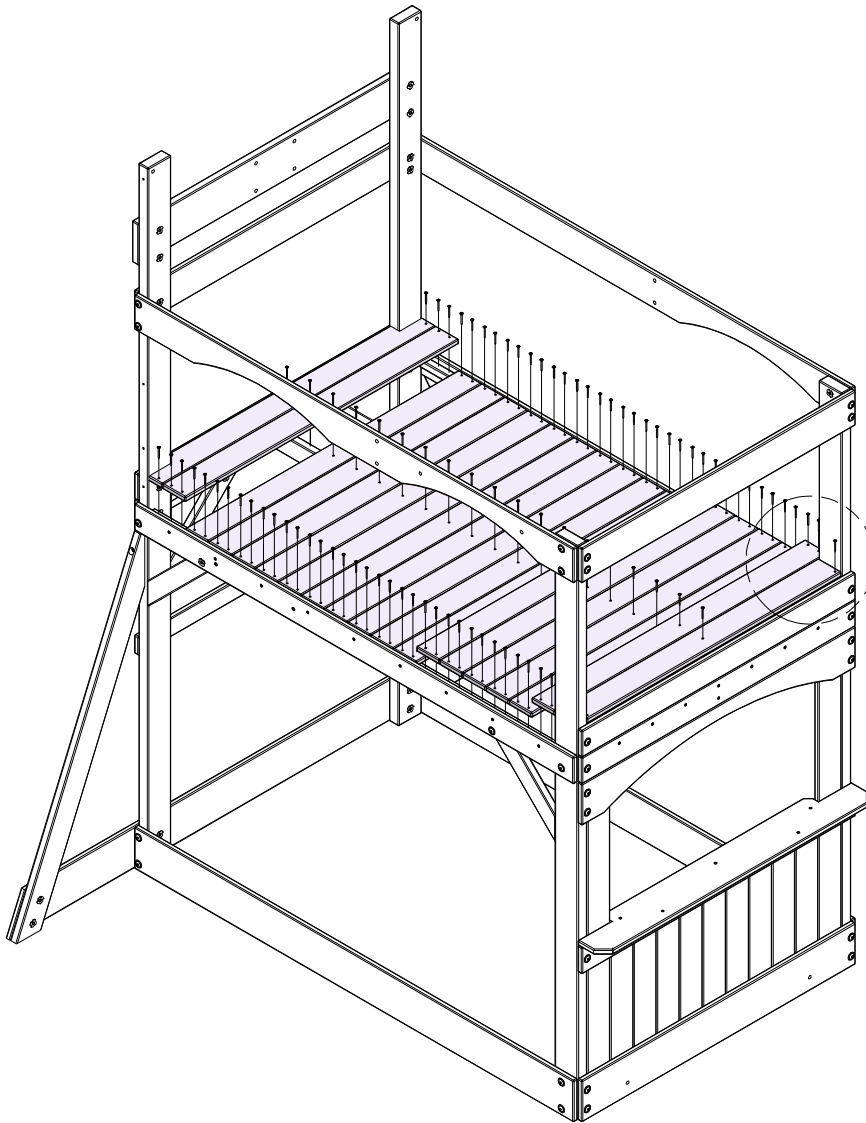
M5 | FLOOR BOARD - W4L14575
(x1) | 5/8"x3 3/8"x40 3/8" (16x86x1024)



M6 | FLOOR BOARD - W4L14576
(x1) | 5/8"x3 3/8"x37 1/2" (16x86x952)

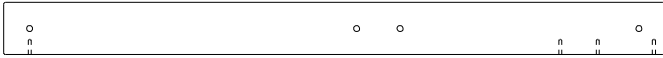


FP1 | FLOOR PANEL - W2A03131
(x3) | 1 1/4"x17"x40 5/16" (32x432x1024)



STEP 10 - FORT ASSEMBLY

QTY	PART NUMBER	DESCRIPTION
4	H100198	WASHER LOCK EXT 8x19 BLK
4	H100379	T-NUT 5/16 BLK
4	H100457	BOLT WH 5/16x2 BLK

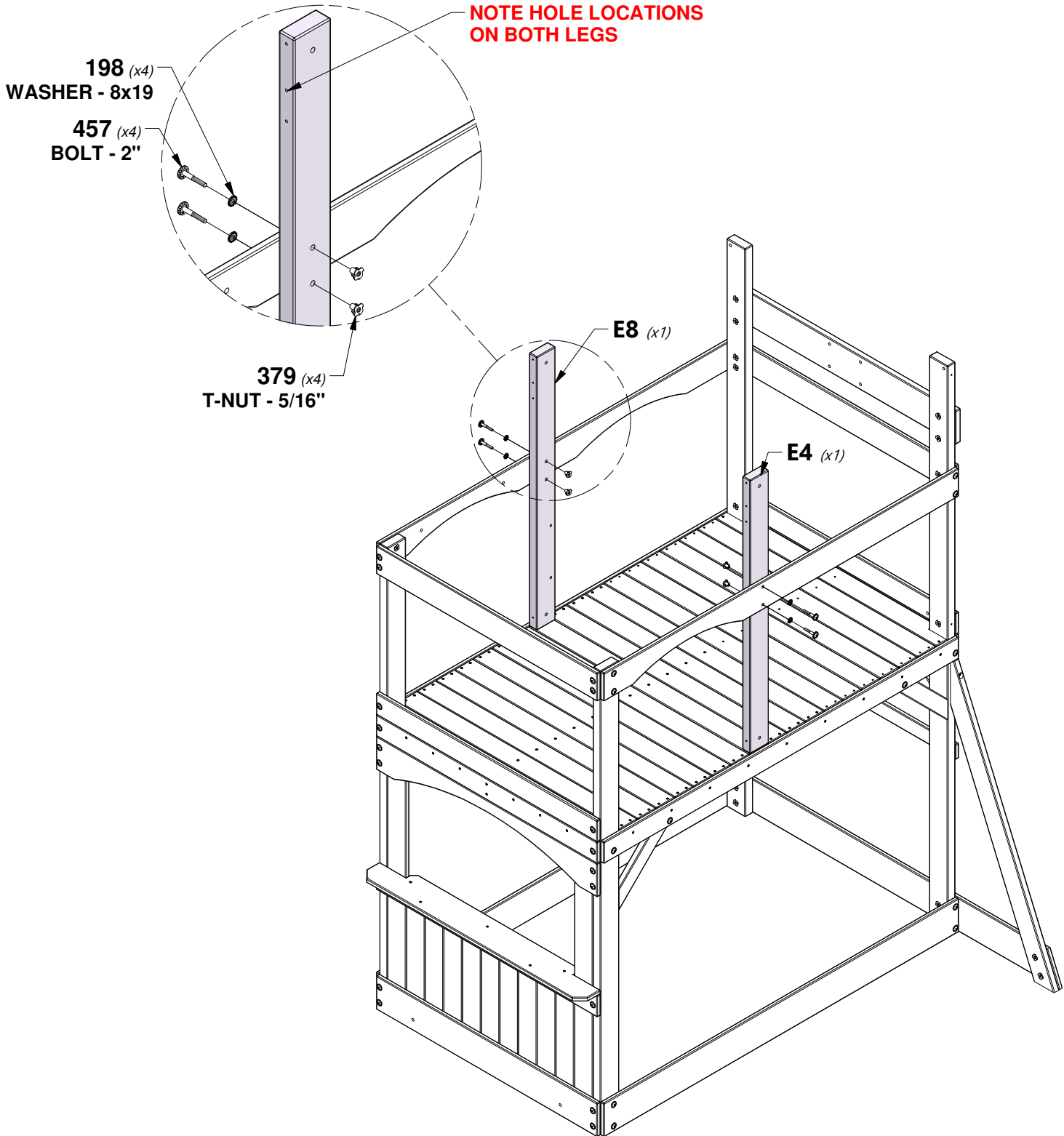


E4 | CLUB HOUSE LEG - W4L14534
(x1) | 1 3/8"x3 3/8"x43 1/8" (36x86x1094)



E8 | CLUB HOUSE LEG - W4L14537
(x1) | 1 3/8"x3 3/8"x43 1/8" (36x86x1094)

TIP:
INSTALL T-NUTS IN WOOD FIRST



STEP 11 - FORT ASSEMBLY

M11 FLOOR SUPPORT - W4L14581
(x1) 5/8"x3 3/8"x37 1/2" (16x86x951)

M17 WALL RAIL - W4L14587
(x1) 5/8"x3 3/8"x6 3/4" (16x86x173)

M15 WALL RAIL - W4L14585
(x2) 5/8"x3 3/8"x8 1/2" (16x86x216)

M18 WALL RAIL - W4L14588
(x1) 5/8"x3 3/8"x4 3/4" (16x86x122)

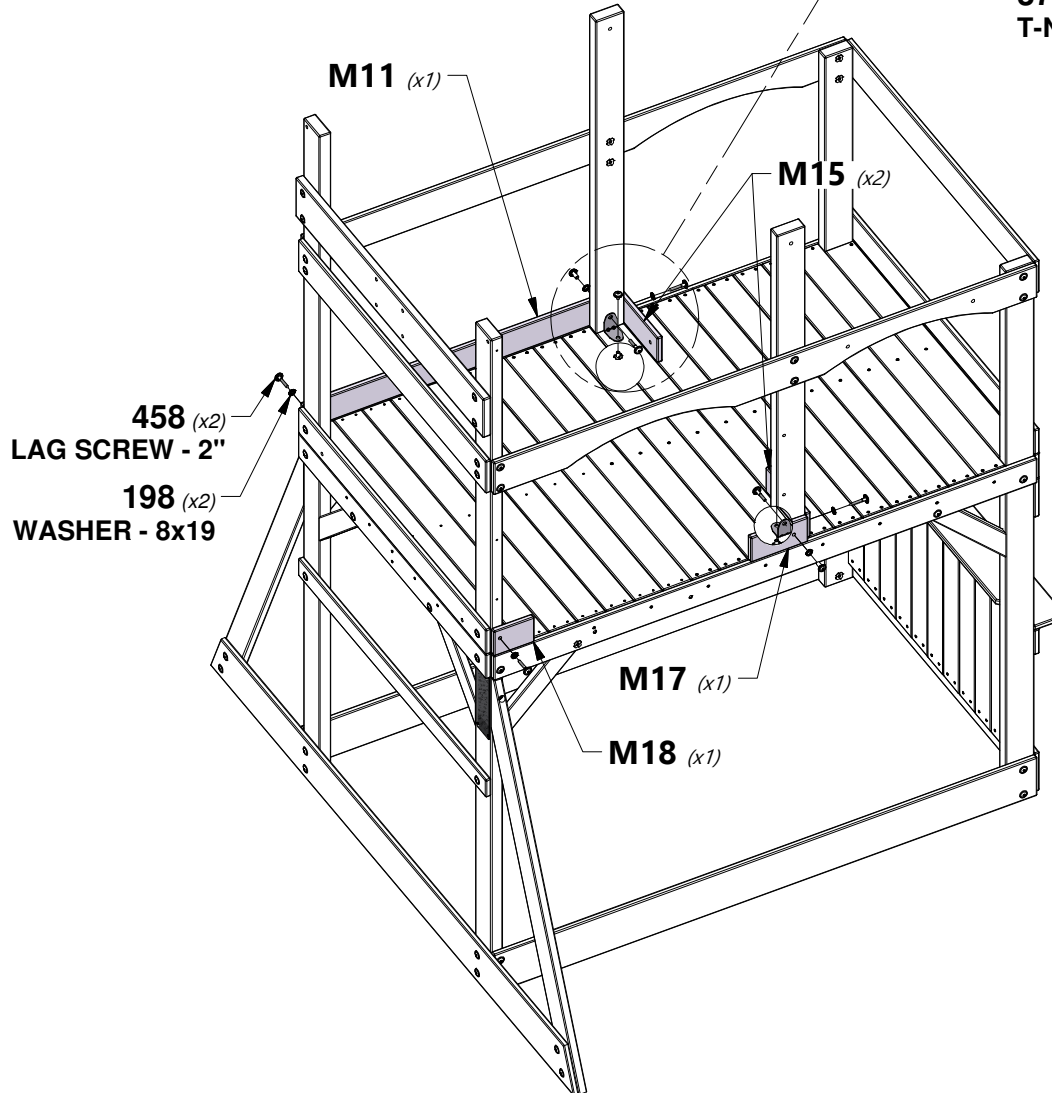
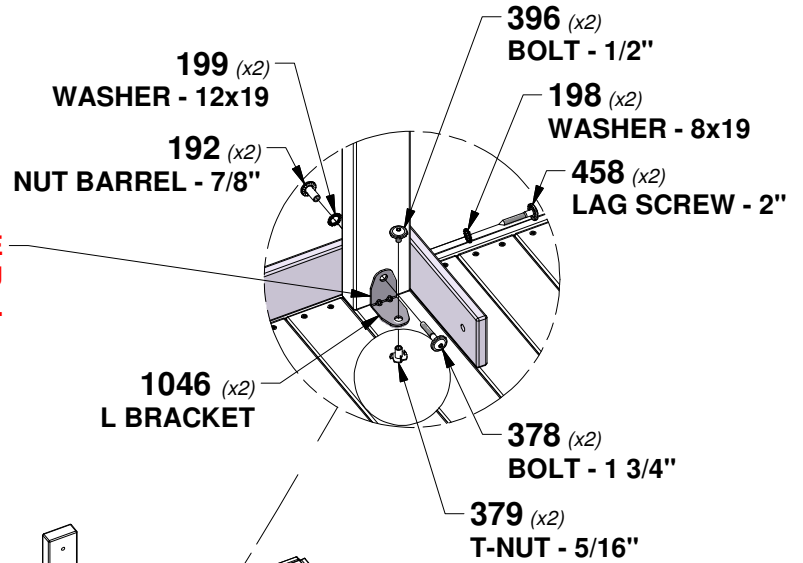


A4M01046 L BRACKET
(x2) 2.5x38x55x55

QTY	PART NUMBER	DESCRIPTION
2	H100192	NUT BARREL WH 5/16x7/8 BLK
4	H100198	WASHER LOCK EXT 8x19 BLK
2	H100199	WASHER LOCK EXT 12x19 BLK
2	H100378	BOLT WH 5/16x1 3/4 BLK
2	H100379	T-NUT 5/16 BLK
2	H100396	BOLT WH 5/16x1/2 BLK
4	H100458	LAG SCREW WH 5/16x2 BLK

TIP:
INSTALL T-NUTS IN WOOD FIRST

USING BRACKETS AS A GUIDE
DRILL 3/8" [10mm] HOLE THRU
FLOOR FOR HARDWARE.

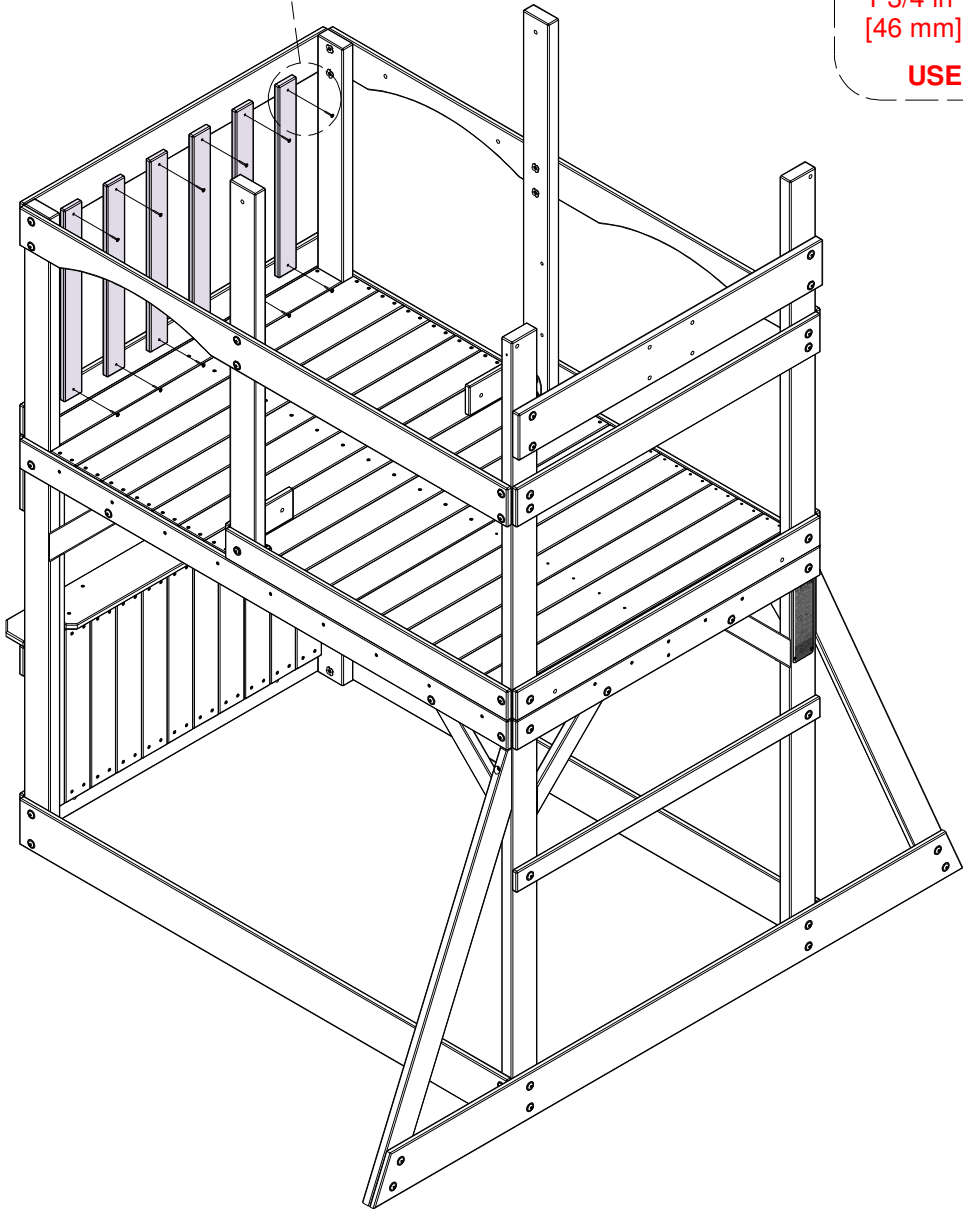
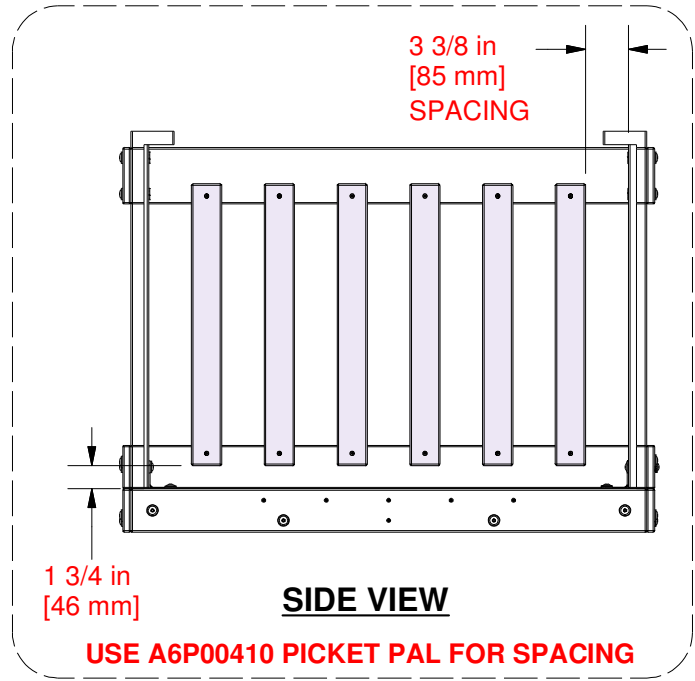
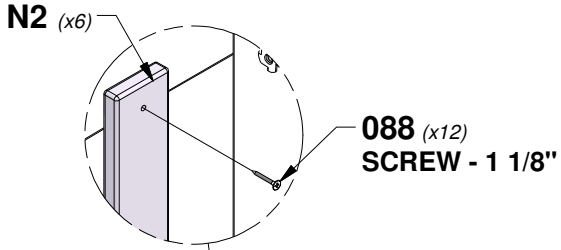


STEP 12 - FORT ASSEMBLY

QTY	PART NUMBER	DESCRIPTION
12	H100088	SCREW PFH 8x1-1/8"



N2 | PICKET - W4L14603
 (x6) | 5/8"x2 3/8"x22" (16x60x558)



STEP 13 - FORT ASSEMBLY

QTY	PART NUMBER	DESCRIPTION
8	H100198	WASHER LOCK EXT 8x19 BLK
2	H100379	T-NUT 5/16 BLK
2	H100457	BOLT WH 5/16x2 BLK
6	H100458	LAG SCREW WH 5/16x2 BLK

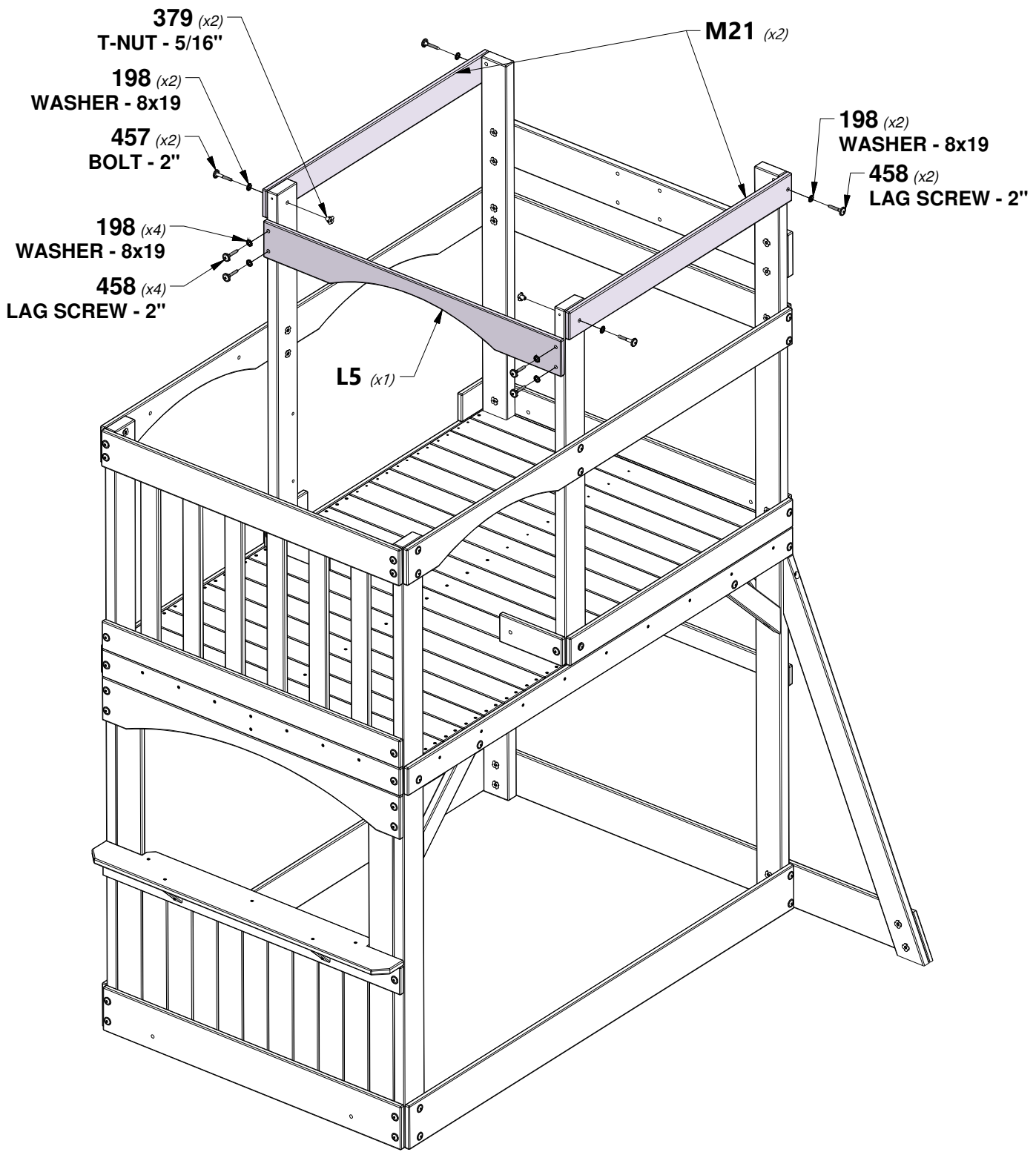


L5 | CLUB HOUSE WALL RAIL - W4L14567
(x1) 5/8"x4 3/8"x40 3/8" (16x112x1024)



M21 | WALL RAIL - W4L14591
(x2) 5/8"x3 3/8"x37 1/2" (16x86x951)

TIP:
INSTALL T-NUTS IN WOOD FIRST



STEP 14 - FORT ASSEMBLY

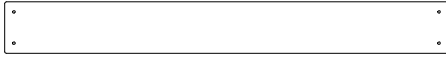
QTY	PART NUMBER	DESCRIPTION
16	H100088	SCREW PFH 8x1-1/8"
2	H100192	NUT BARREL WH 5/16x7/8 BLK
2	H100199	WASHER LOCK EXT 12x19 BLK
2	H100379	T-NUT 5/16 BLK
2	H100396	BOLT WH 5/16x1/2 BLK
2	H100468	BOLT WH 5/16x1 BLK



M14 | WALL BOARD - W4L14584
(x1) | 5/8"x3"x36 1/2" (16x76x926)



M33 | WALL BOARD - W4L14600
(x1) | 5/8"x3"x36 1/2" (16x76x926)

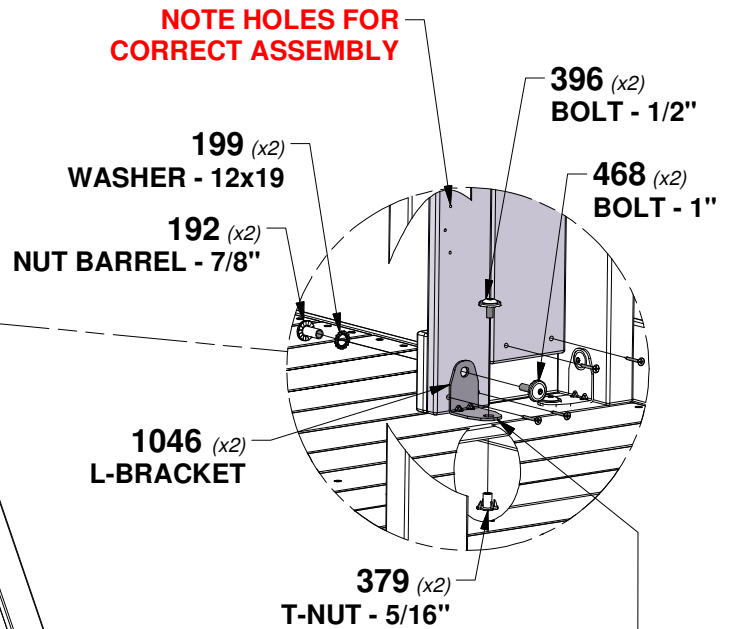
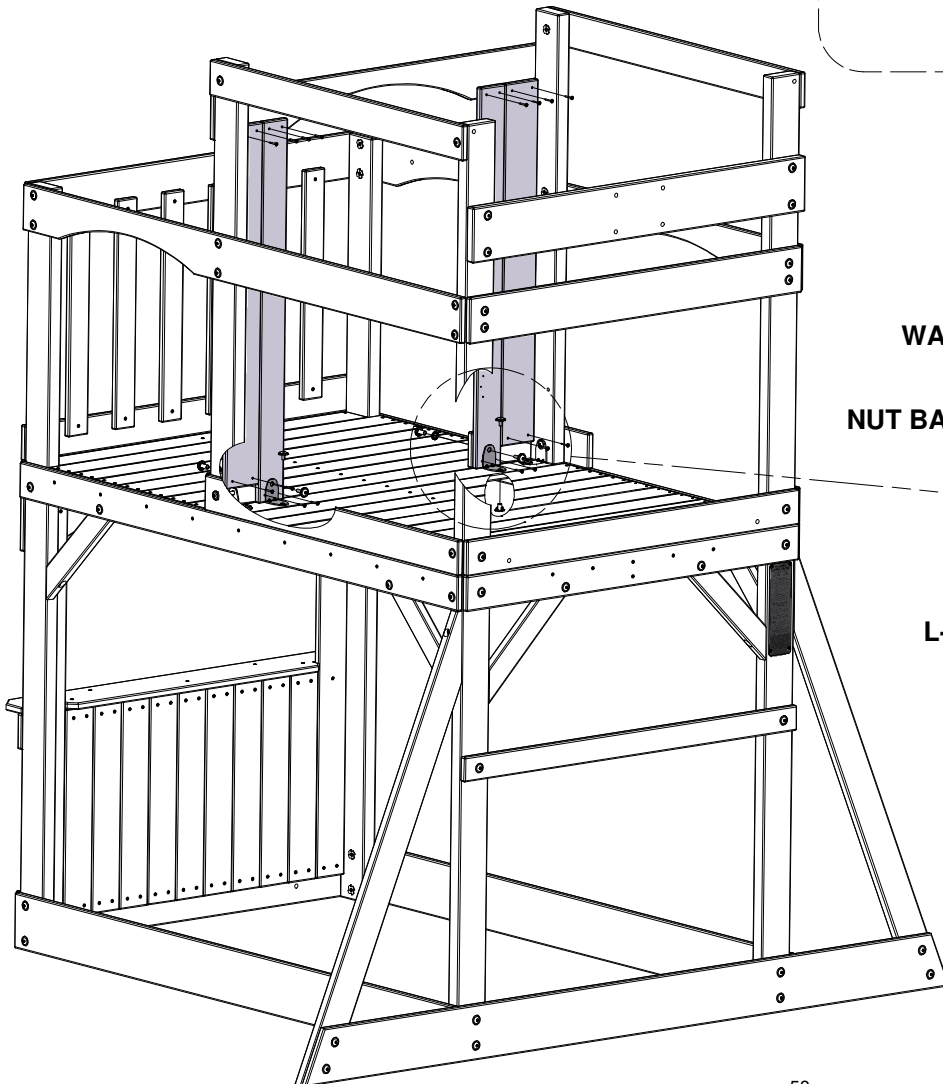
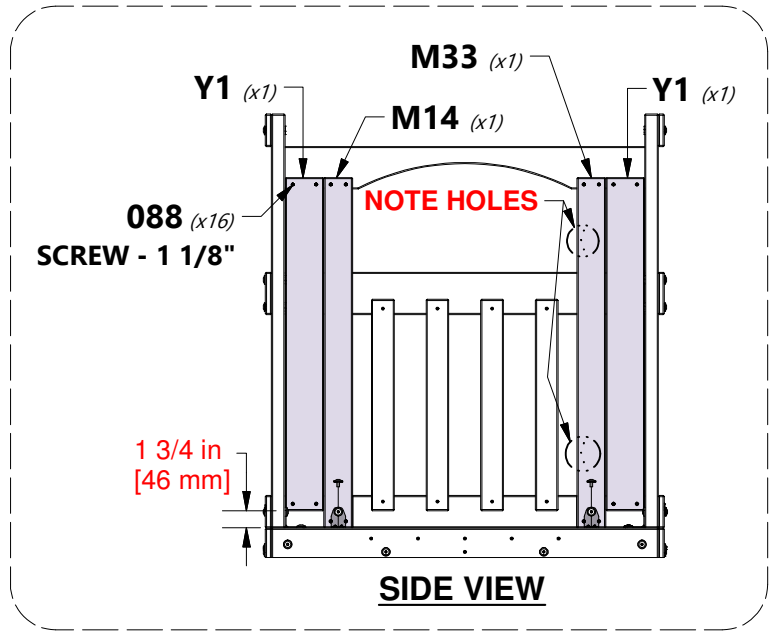


Y1 | WALL BOARD - W4L14616
(x2) | 5/8"x4"x34 5/8" (16x102x880)



A4M01046 | L BRACKET
(x2) | 2.5x38x55x55

TIP:
INSTALL ALL 088 WOOD SCREWS FIRST.
THEN INSTALL BRACKETS AND REMAINING HARDWARE.



**USING BRACKETS AS A GUIDE
DRILL 3/8" [10mm] HOLE THRU
FLOOR FOR HARDWARE.**

STEP 15 - FORT ASSEMBLY

QTY	PART NUMBER	DESCRIPTION
36	H100088	SCREW PFH 8x1-1/8"



M19 | WALL BOARD - W4L14589
(x2) | 5/8"x3 3/8"x40 5/8" (16x86x1032)



M20 | WALL BOARD - W4L14590
(x2) | 5/8"x3 3/8"x16 1/4" (16x86x412)

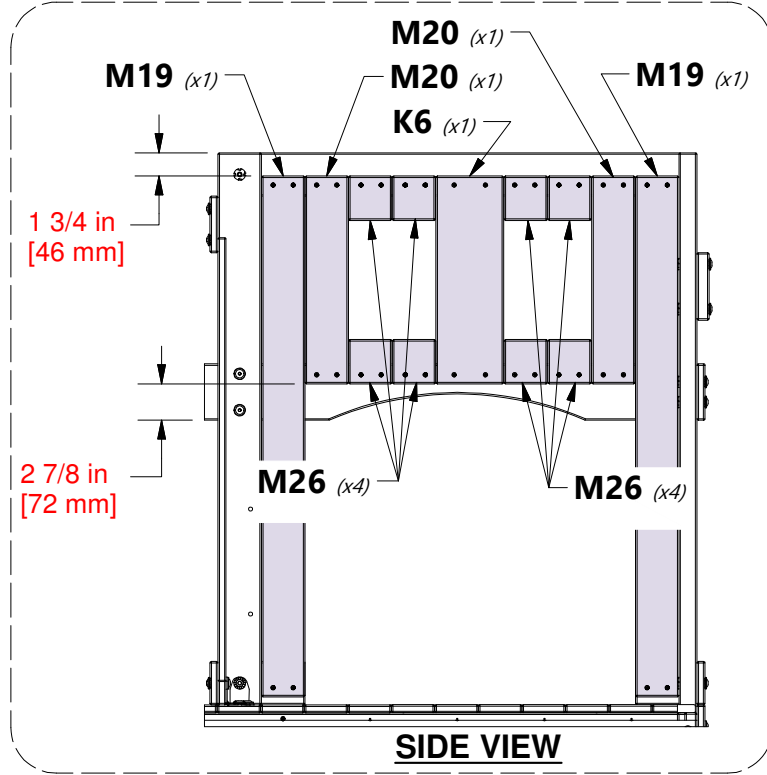


M26 | WALL BOARD - W4L14596
(x8) | 5/8"x3 3/8"x3 1/2" (16x86x88)

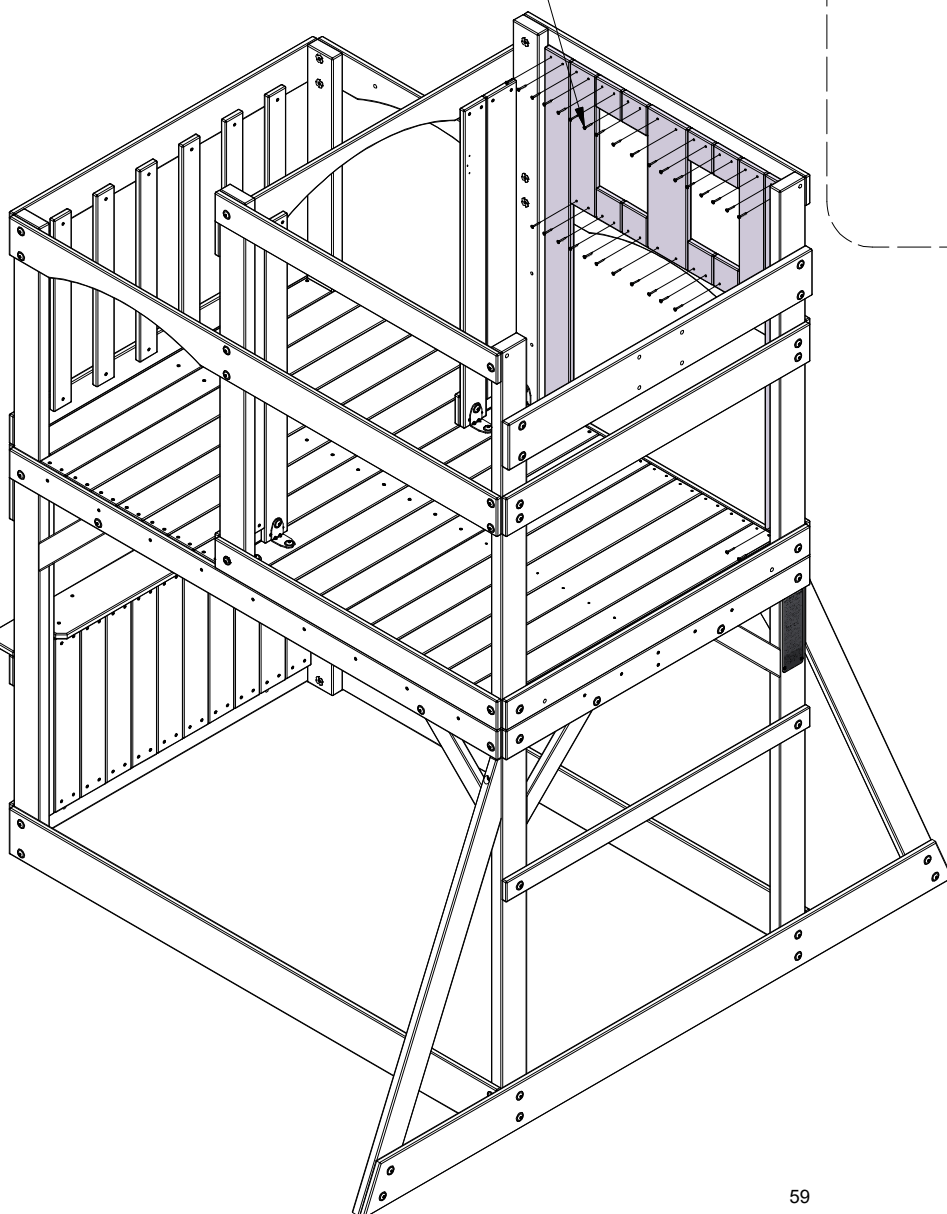


K6 | WALL BOARD - W4L14562
(x1) | 5/8"x5 1/4"x16 1/4" (16x134x412)

NOTE EQUALLY SPACE WALL BOARDS

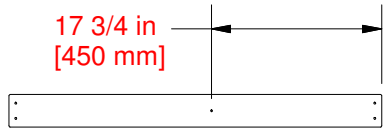


088 (x36)
SCREW - 1 1/8"

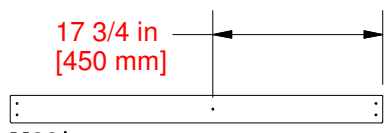


STEP 16 - FORT ASSEMBLY

QTY	PART NUMBER	DESCRIPTION
30	H100088	SCREW PFH 8x1-1/8"

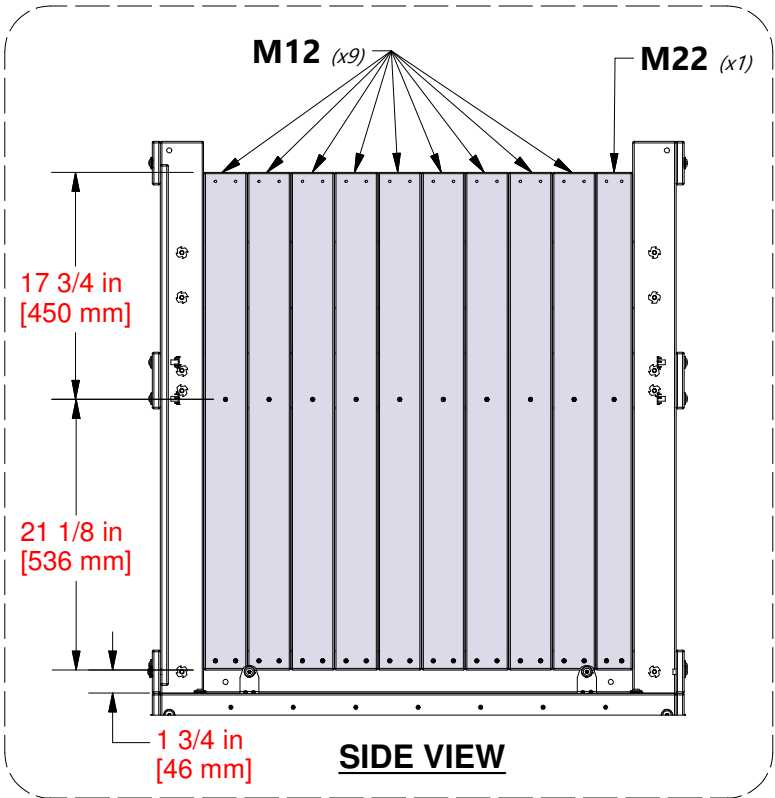
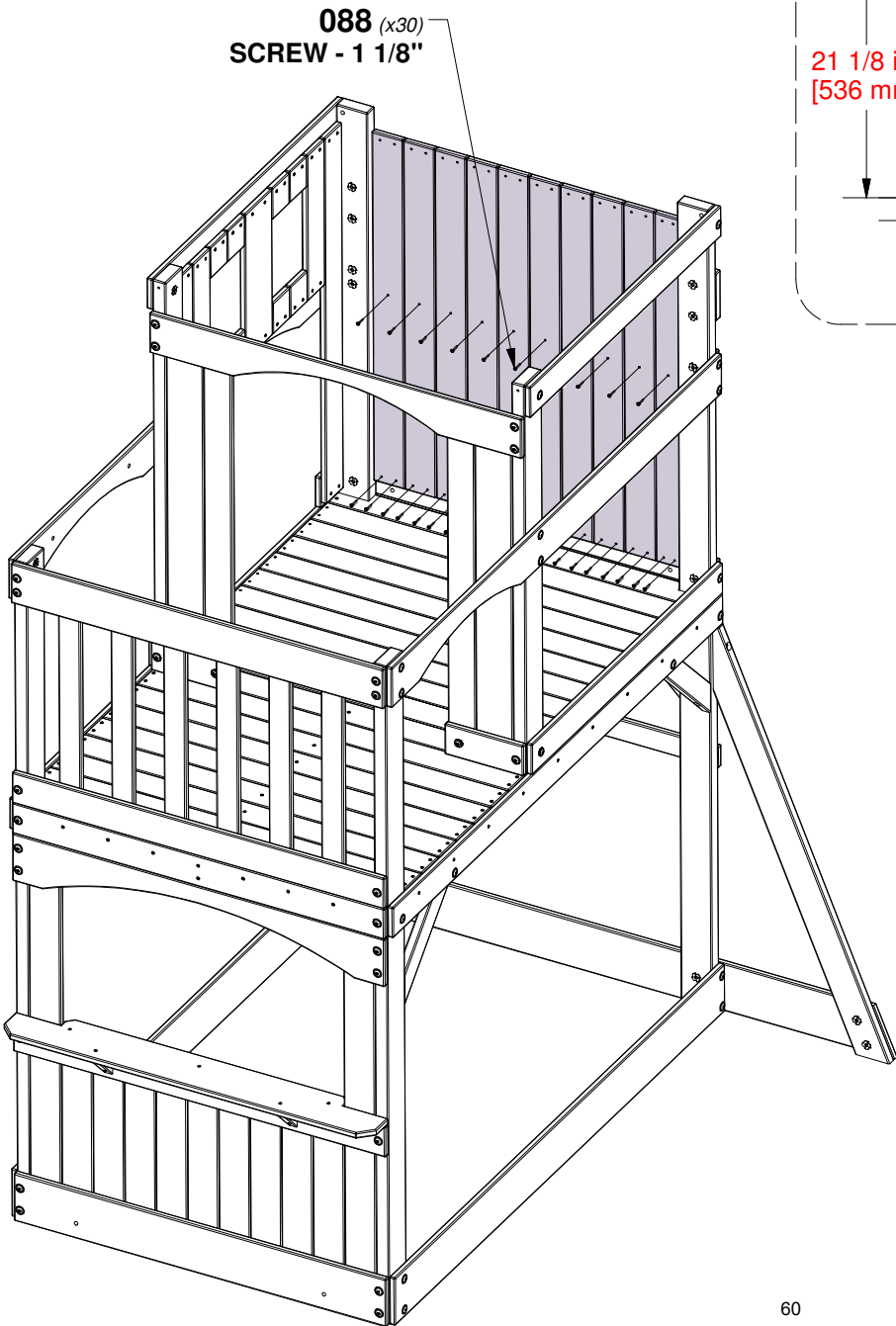


M12 | WALL BOARD - W4L14582
(x9) | 5/8"x3 3/8"x38 7/8" (16x86x986)



M22 | WALL BOARD - W4L14592
(x1) | 5/8"x2 7/8"x38 7/8" (16x73x986)

NOTE EQUALLY SPACE WALL BOARDS



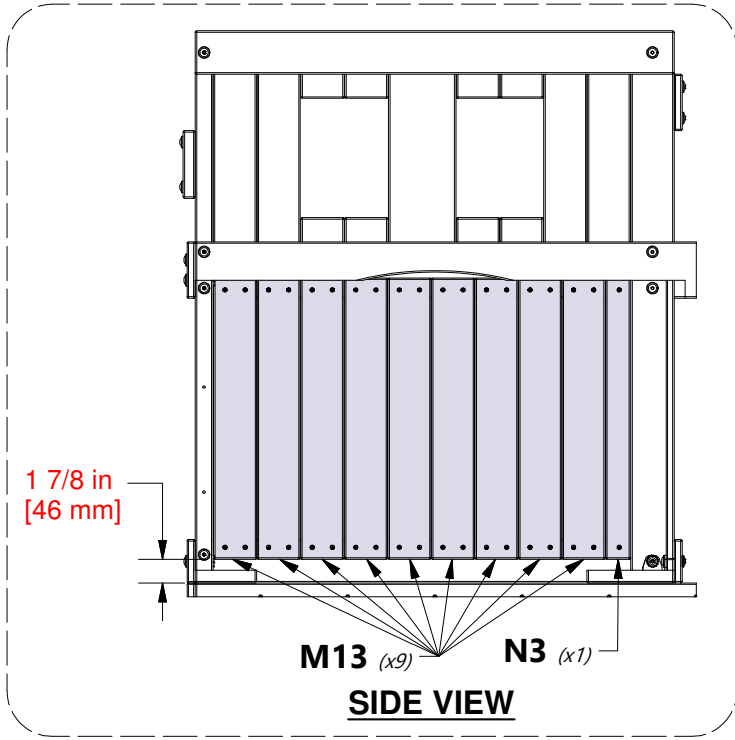
STEP 17 - FORT ASSEMBLY

QTY	PART NUMBER	DESCRIPTION
38	H100088	SCREW PFH 8x1-1/8"

N3 | WALL BOARD - W4L14604
 (x1) | 5/8"x2"x22" (16x50x558)

M13 | WALL BOARD - W4L14583
 (x9) | 5/8"x3 3/8"x22" (16x86x558)

NOTE EQUALLY SPACE WALL BOARDS

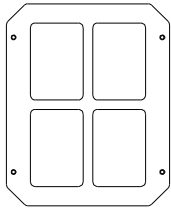


088 (x38)
 SCREW - 1 1/8"

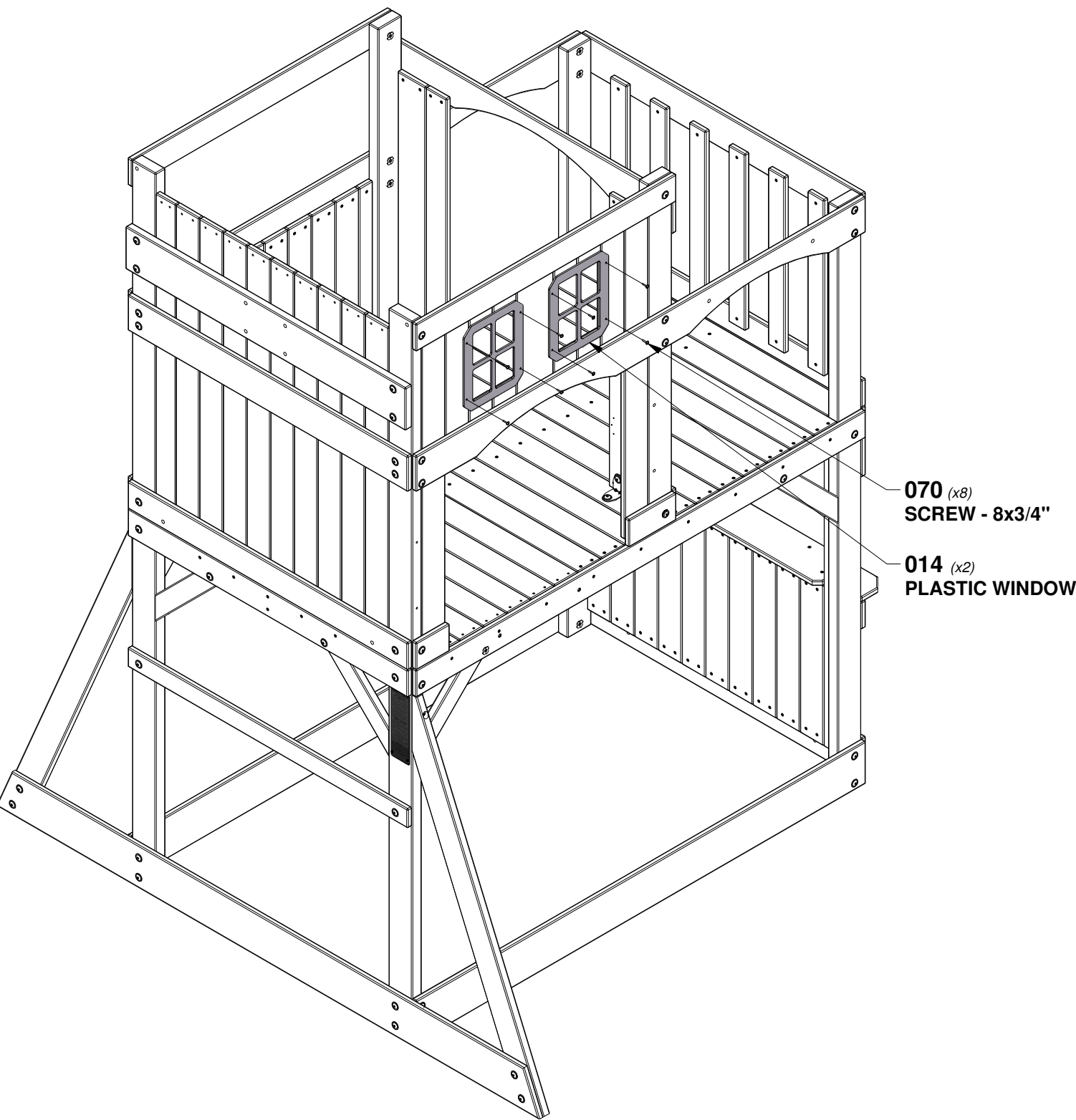


STEP 18 - FORT ASSEMBLY

QTY	PART NUMBER	DESCRIPTION
8	H100070	SCREW PWH 8x3/4



A100014
(x2) | **PLASTIC WINDOW WHITE**

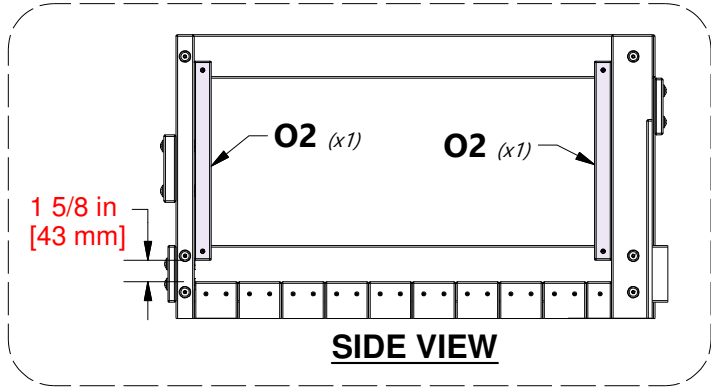


STEP 19 - FORT ASSEMBLY

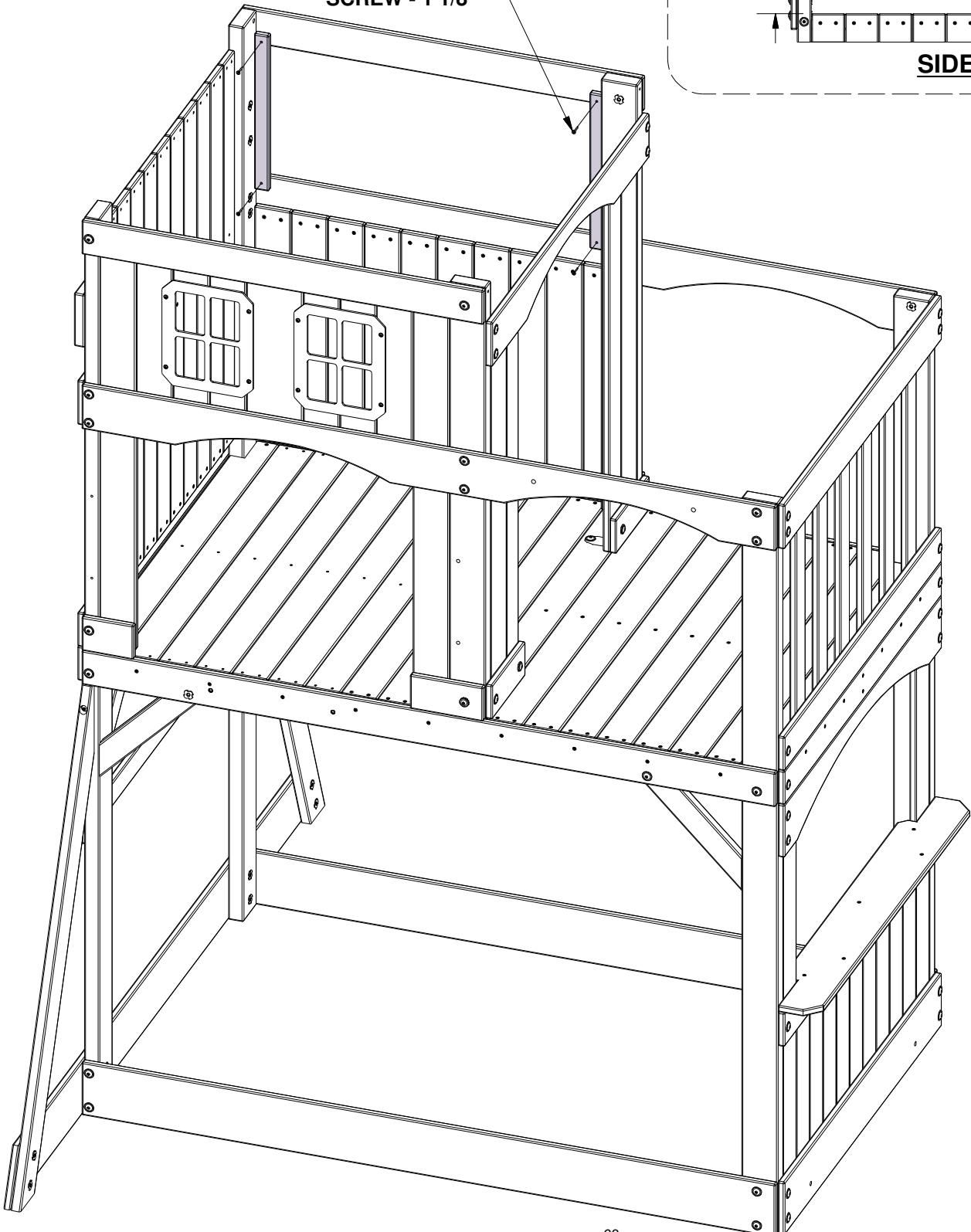
QTY	PART NUMBER	DESCRIPTION
4	H100088	SCREW PFH 8x1-1/8"



Q2 | WALL BOARD - W4L14610
 (x2) | 5/8"x1 3/8"x15 1/2" (16x34x395)

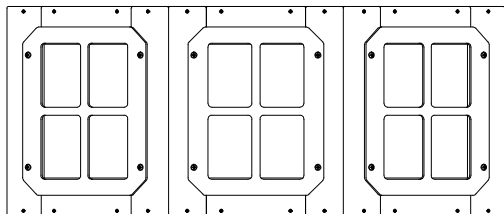


088 (x4)
 SCREW - 1 1/8"



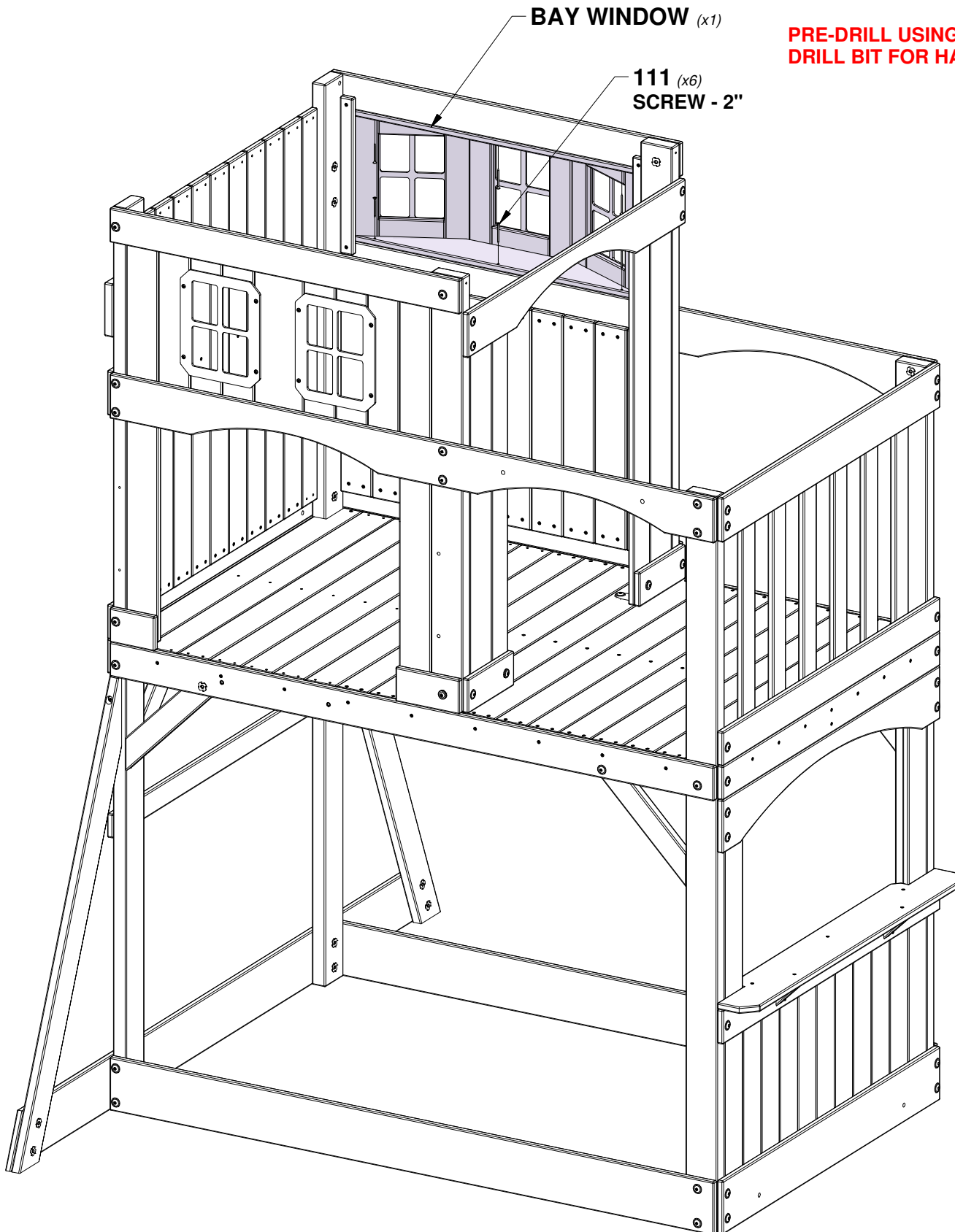
STEP 20 - FORT ASSEMBLY

QTY	PART NUMBER	DESCRIPTION
6	H100111	SCREW PFH 8x2



(x1)

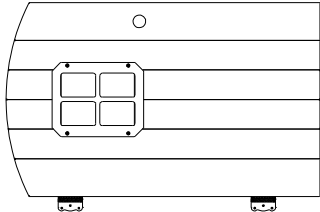
MONTPELIER BAY WINDOW



PRE-DRILL USING AN 1/8" [3mm] DRILL BIT FOR HARDWARE.

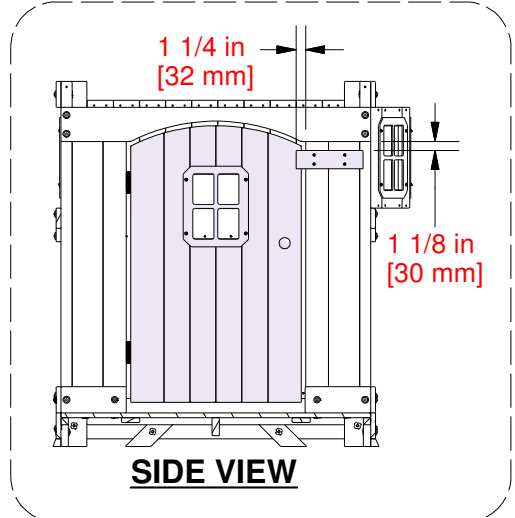
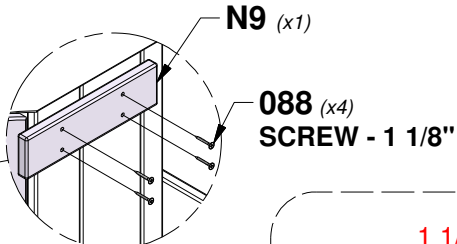
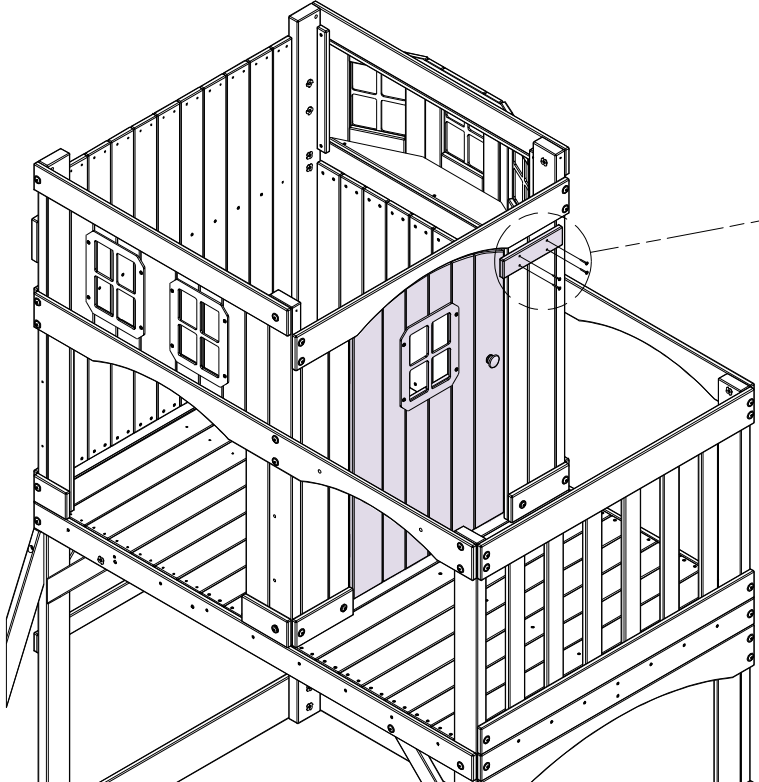
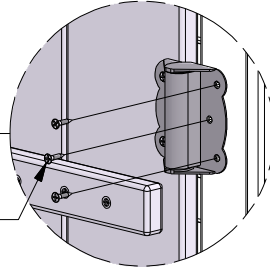
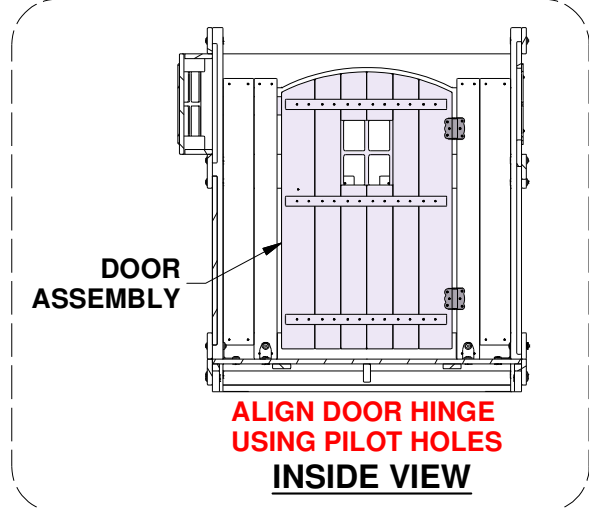
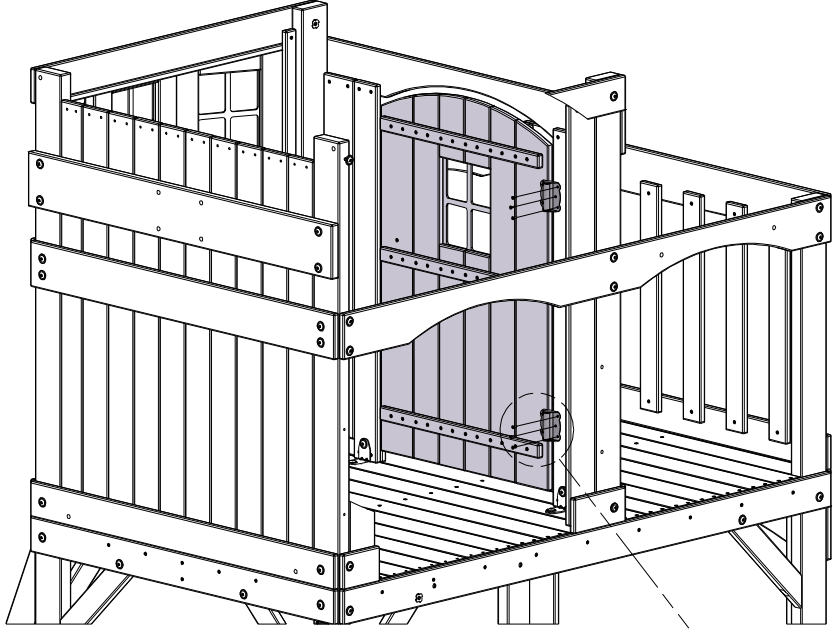
STEP 21 - FORT ASSEMBLY

QTY	PART NUMBER	DESCRIPTION
4	H100088	SCREW PFH 8x1-1/8"
6	H100624	SCREW PFH 6x5/8 BLK

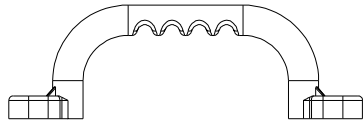


N9 DOOR STOP - W4L14608
(x1) 5/8"x2 3/8"x8 3/4" (16x60x222)

(x1) | **DOOR ASSEMBLY**



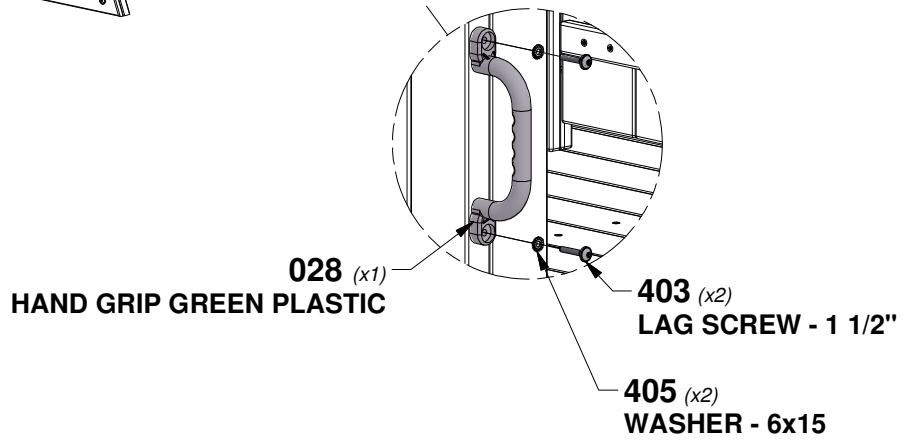
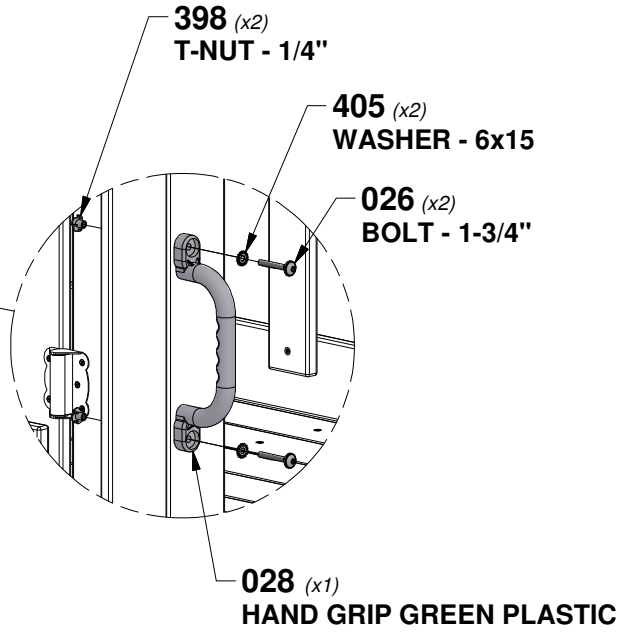
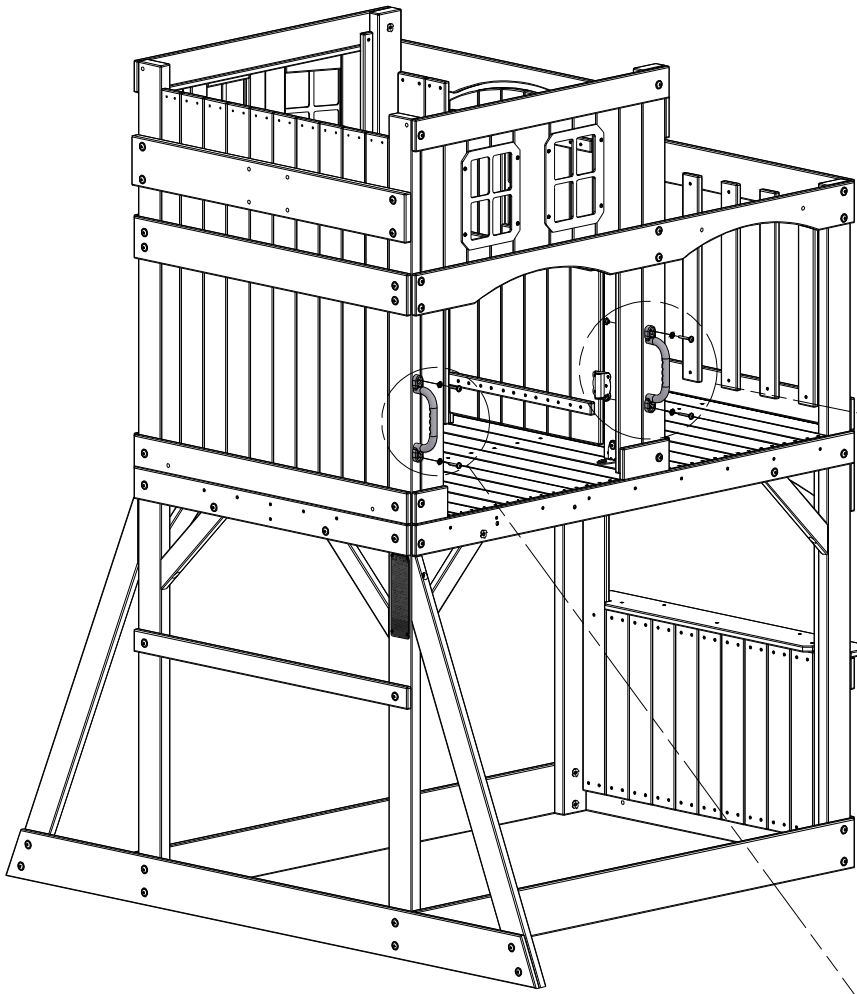
STEP 22 - FORT ASSEMBLY



A100028
(x2) | **HAND GRIP GREEN PLASTIC**

QTY	PART NUMBER	DESCRIPTION
2	H100398	T-NUT 1/4 BLK
2	H100403	LAG SCREW WH 1/4x1-1/2 BLK
4	H100405	WASHER LOCK EXT 6x15 BLK
2	H101026	BOLT WH 1/4x1-3/4 BLK

TIP:
INSTALL T-NUTS IN WOOD FIRST



STEP 23 - FORT ASSEMBLY

QTY	PART NUMBER	DESCRIPTION
28	H100088	SCREW PFH 8x1-1/8"
2	H100194	BOLT WH 5/16x2-1/2 BLK
4	H100198	WASHER LOCK EXT 8x19 BLK
2	H100379	T-NUT 5/16 BLK
2	H100458	LAG SCREW WH 5/16x2 BLK

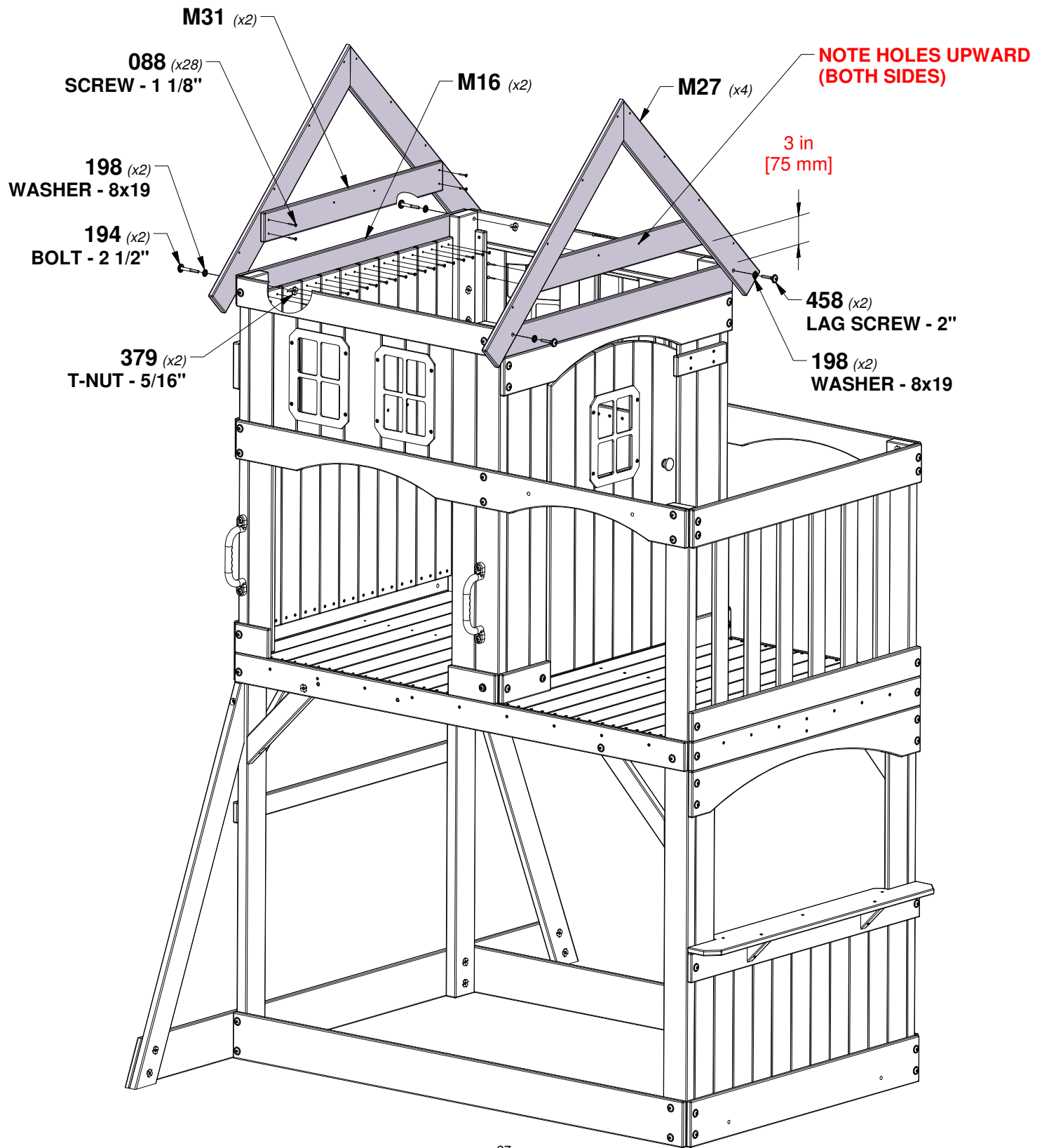
M16 | WALL RAIL - W4L14586
(x2) | 5/8"x3 3/8"x40 3/8" (16x86x1024)

NOTE HOLES UPWARD

M27 | ROOF RAFTER - W4L14597
(x4) | 5/8"x3 3/8"x34 1/4" (16x86x871)

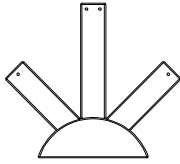
M31 | GABLE BOARD - W4L14599
(x2) | 5/8"x3 3/8"x31 1/2" (16x86x800)

TIP:
INSTALL T-NUTS IN WOOD FIRST

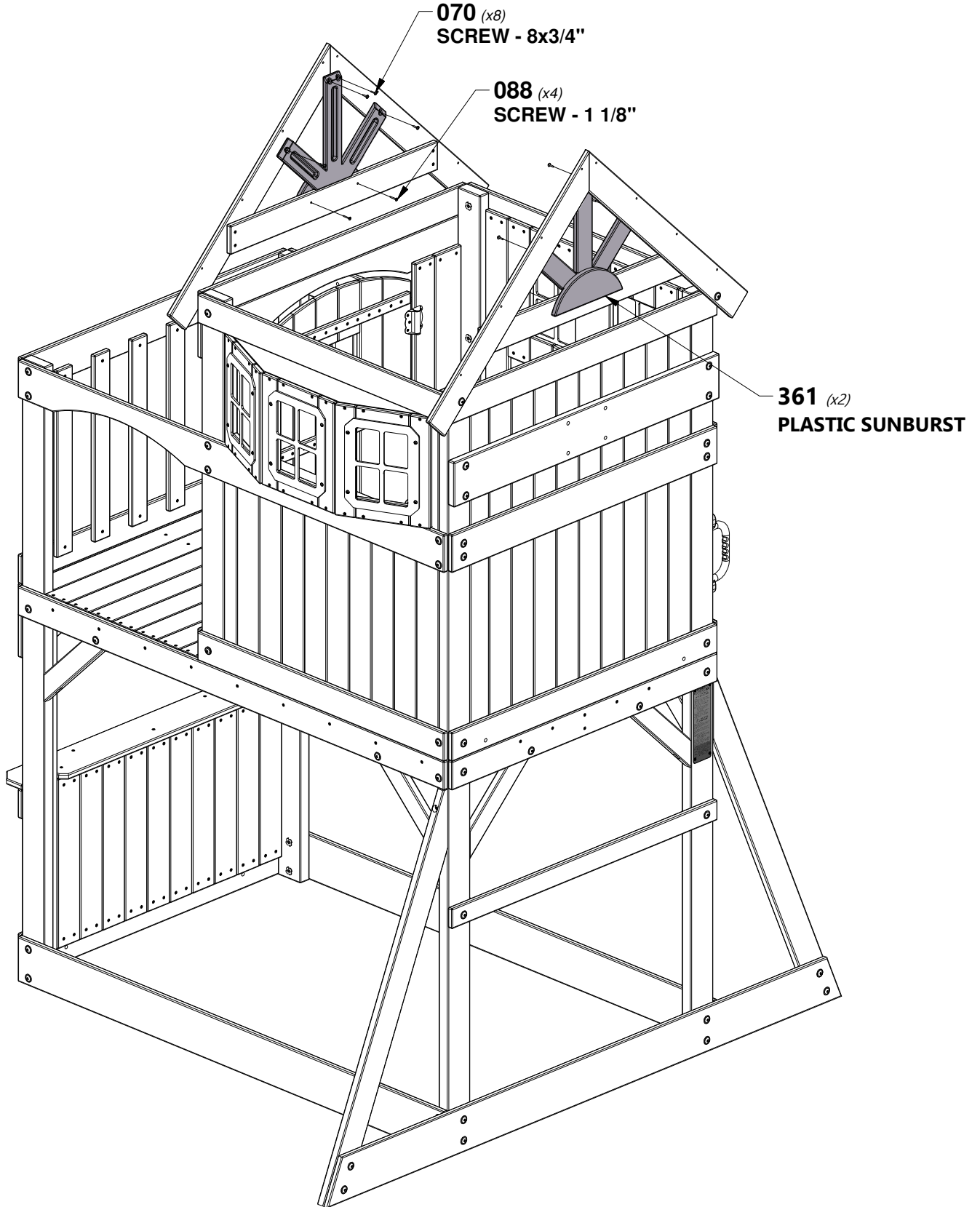


STEP 24 - FORT ASSEMBLY

QTY	PART NUMBER	DESCRIPTION
8	H100070	SCREW PWH 8x3/4
4	H100088	SCREW PFH 8x1-1/8"

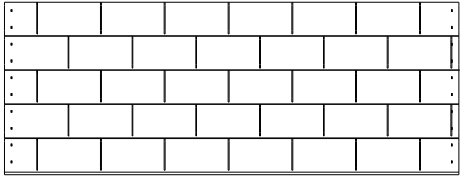


A100361 (x2) | PLASTIC SUNBURST

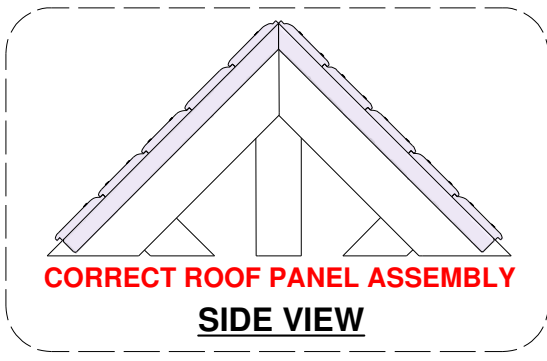
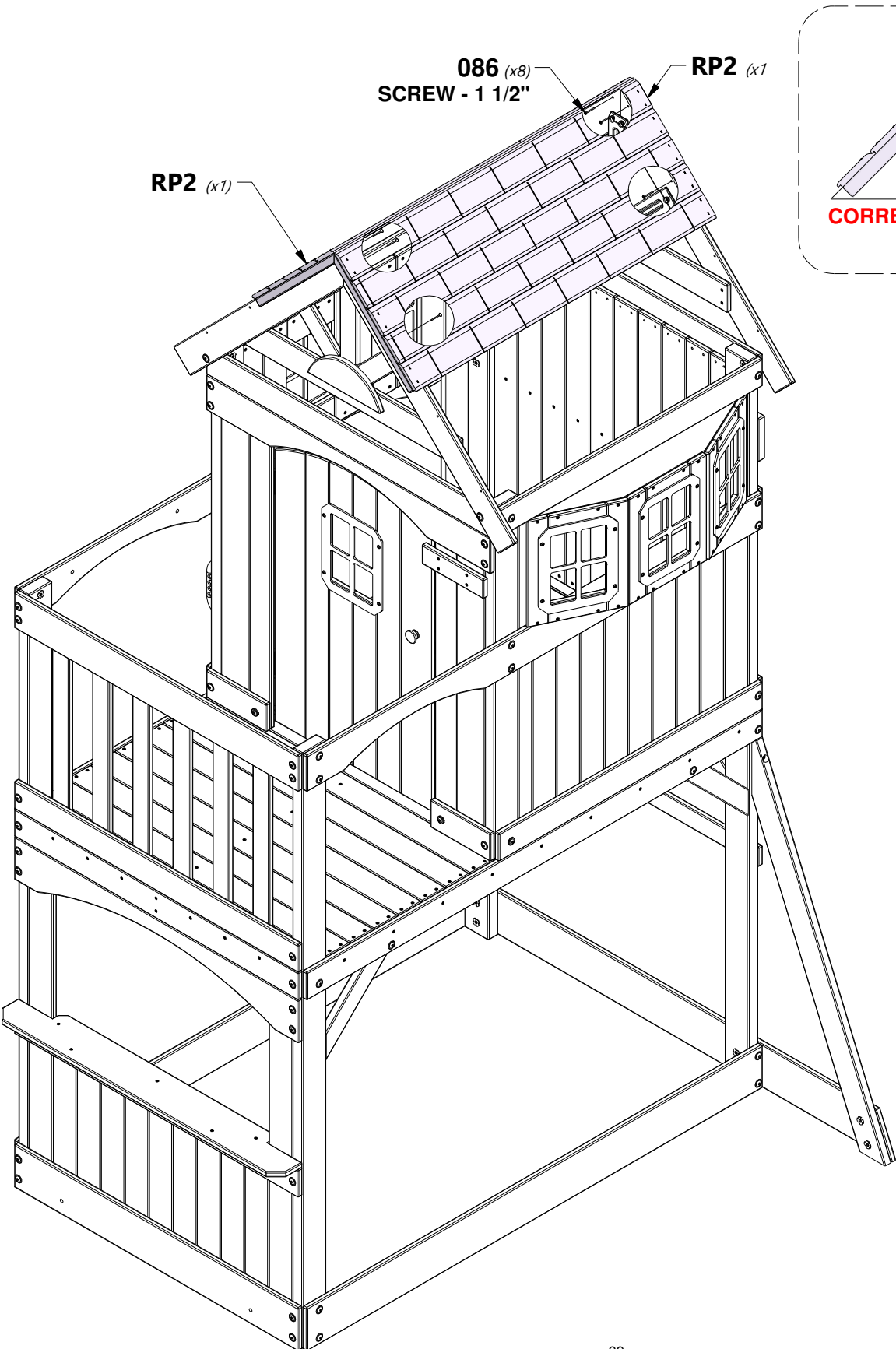


STEP 25 - FORT ASSEMBLY

QTY	PART NUMBER	DESCRIPTION
8	H100086	SCREW PFH 8x1-1/2"

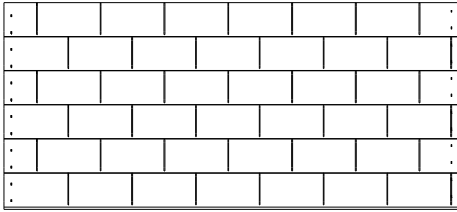


RP2 | ROOF PANEL - W2A03134
 (x2) | 1 1/16"x16 1/8"x42 5/8" (35x410x1083)

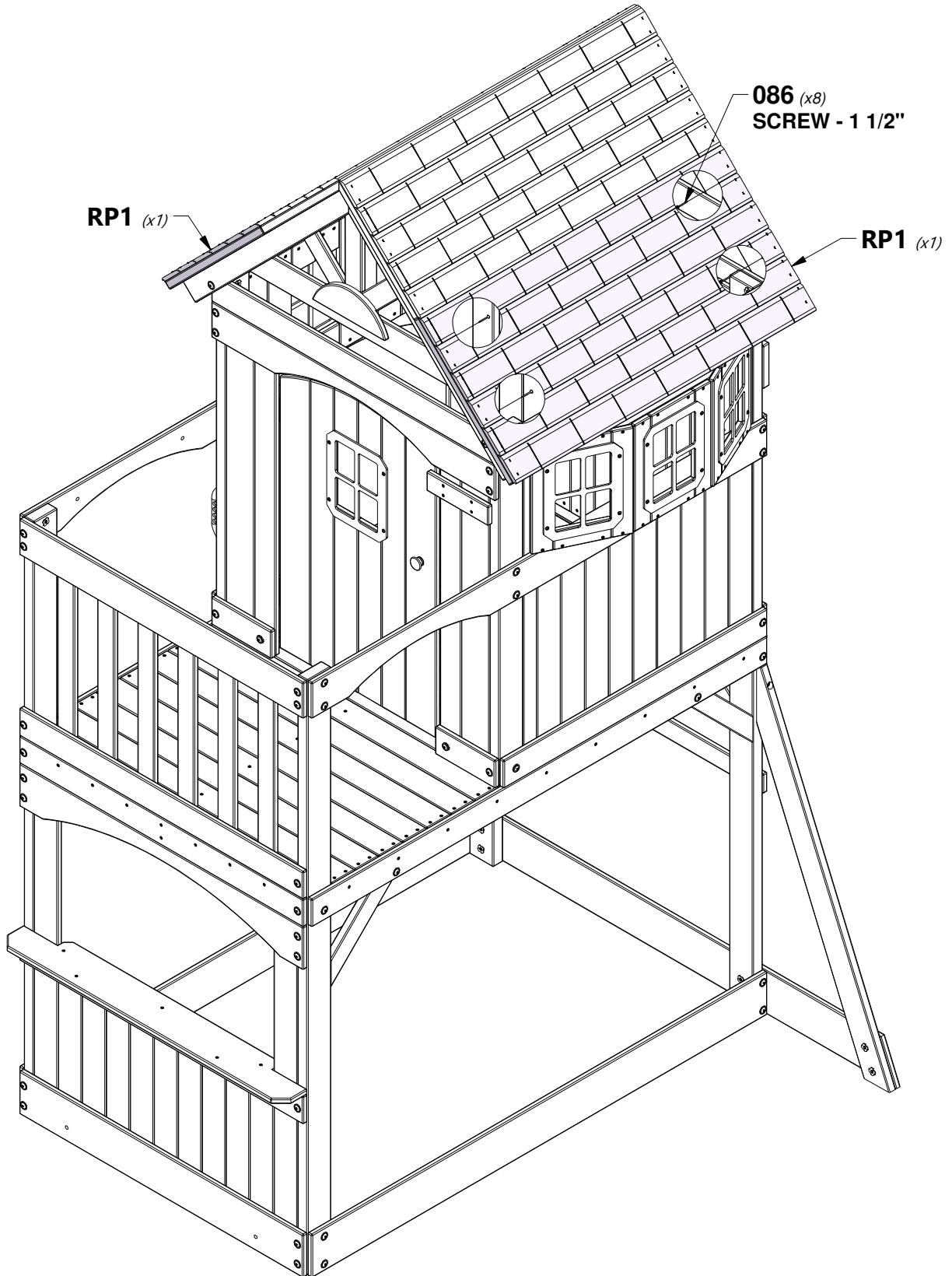


STEP 26 - FORT ASSEMBLY

QTY	PART NUMBER	DESCRIPTION
8	H100086	SCREW PFH 8x1-1/2"

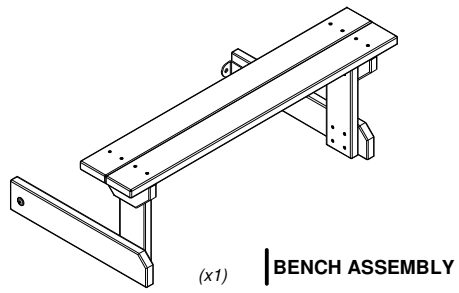


RP1 | ROOF PANEL - W2A03133
 (x2) | 1 1/16"x19 5/16"x42 5/8" (35x491x1083)

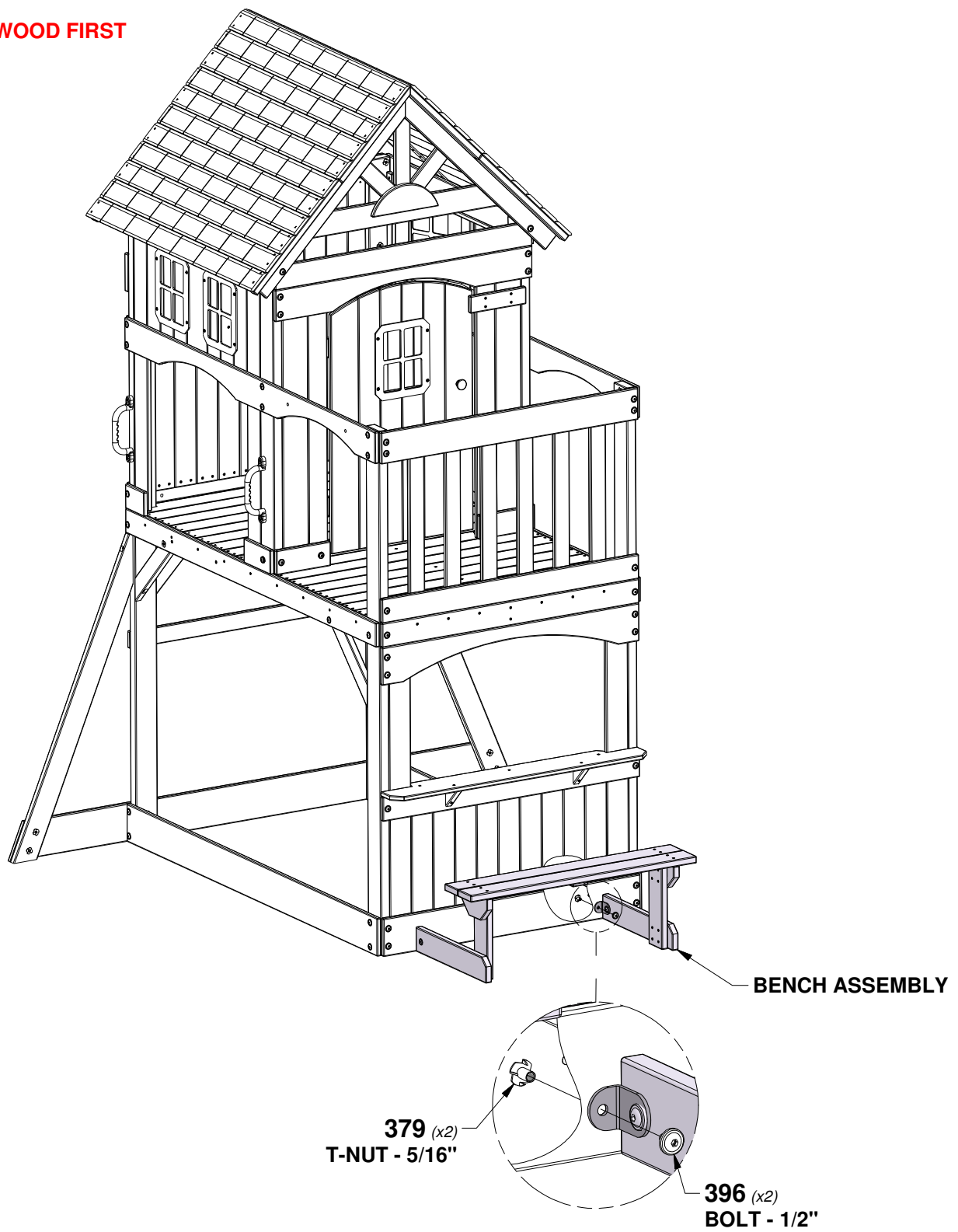


STEP 27 - FORT ASSEMBLY

QTY	PART NUMBER	DESCRIPTION
2	H100379	T-NUT 5/16 BLK
2	H100396	BOLT WH 5/16x1/2 BLK



TIP:
INSTALL T-NUTS IN WOOD FIRST



STEP 28 - FORT ASSEMBLY

QTY	PART NUMBER	DESCRIPTION
2	H100089	SCREW PFH 8x1-3/4"
2	H100198	WASHER LOCK EXT 8x19 BLK
2	H100205	BOLT WH 5/16x2-1/4 BLK
2	H100379	T-NUT 5/16 BLK

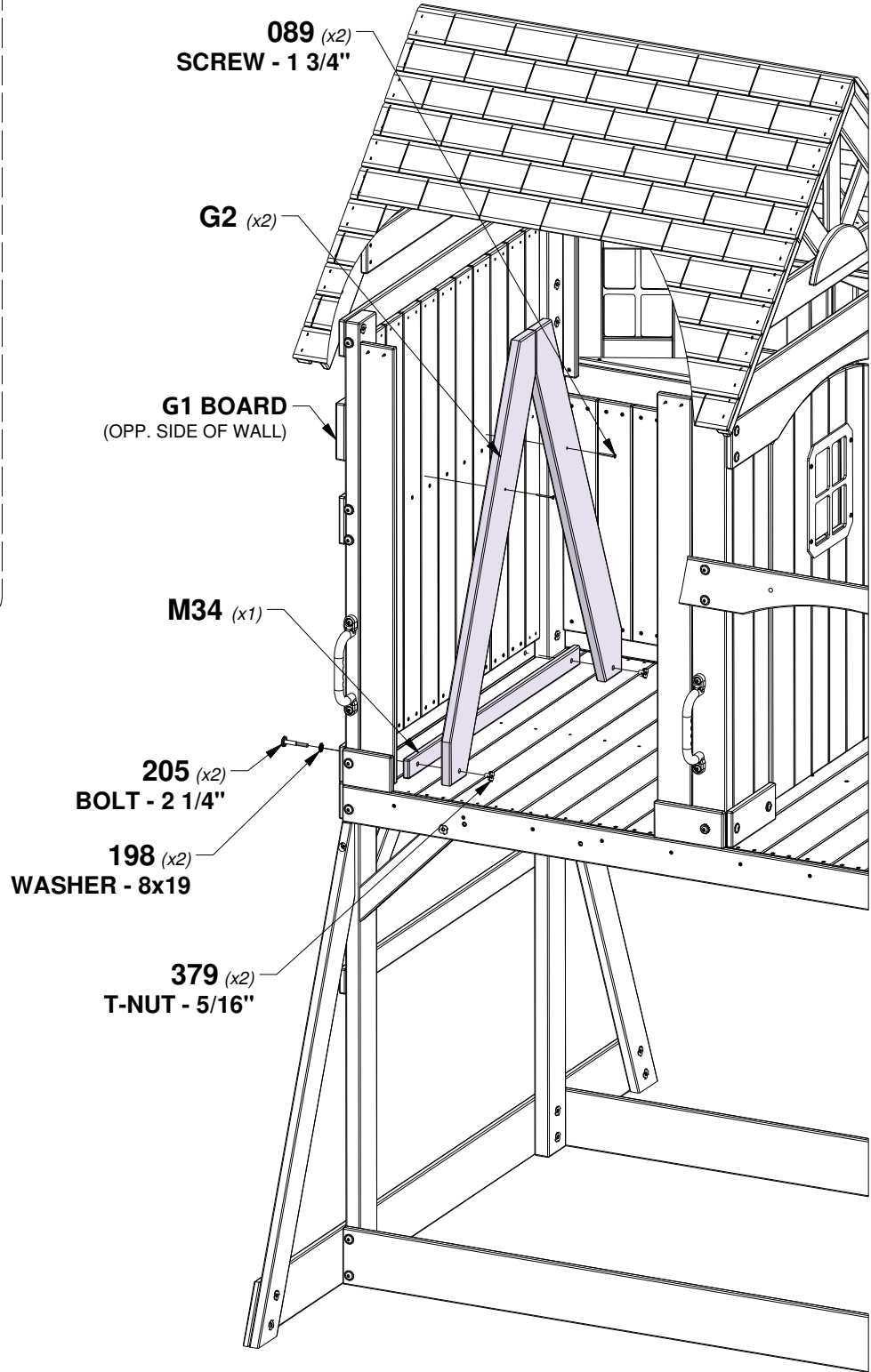
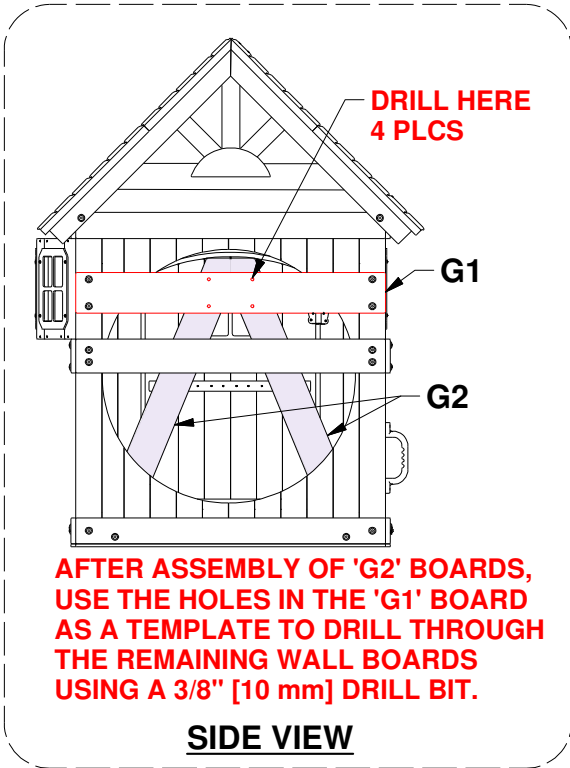


G2 | WALL RAIL - W4L14611
(x2) | 1"x4 3/8"x40 3/4" (24x112x1034)



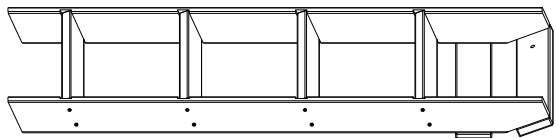
M34 | FILLER BOARD - W4L14617
(x1) | 5/8"x1 3/4"x33 1/2" (16x45x851)

TIP:
INSTALL T-NUTS IN WOOD FIRST

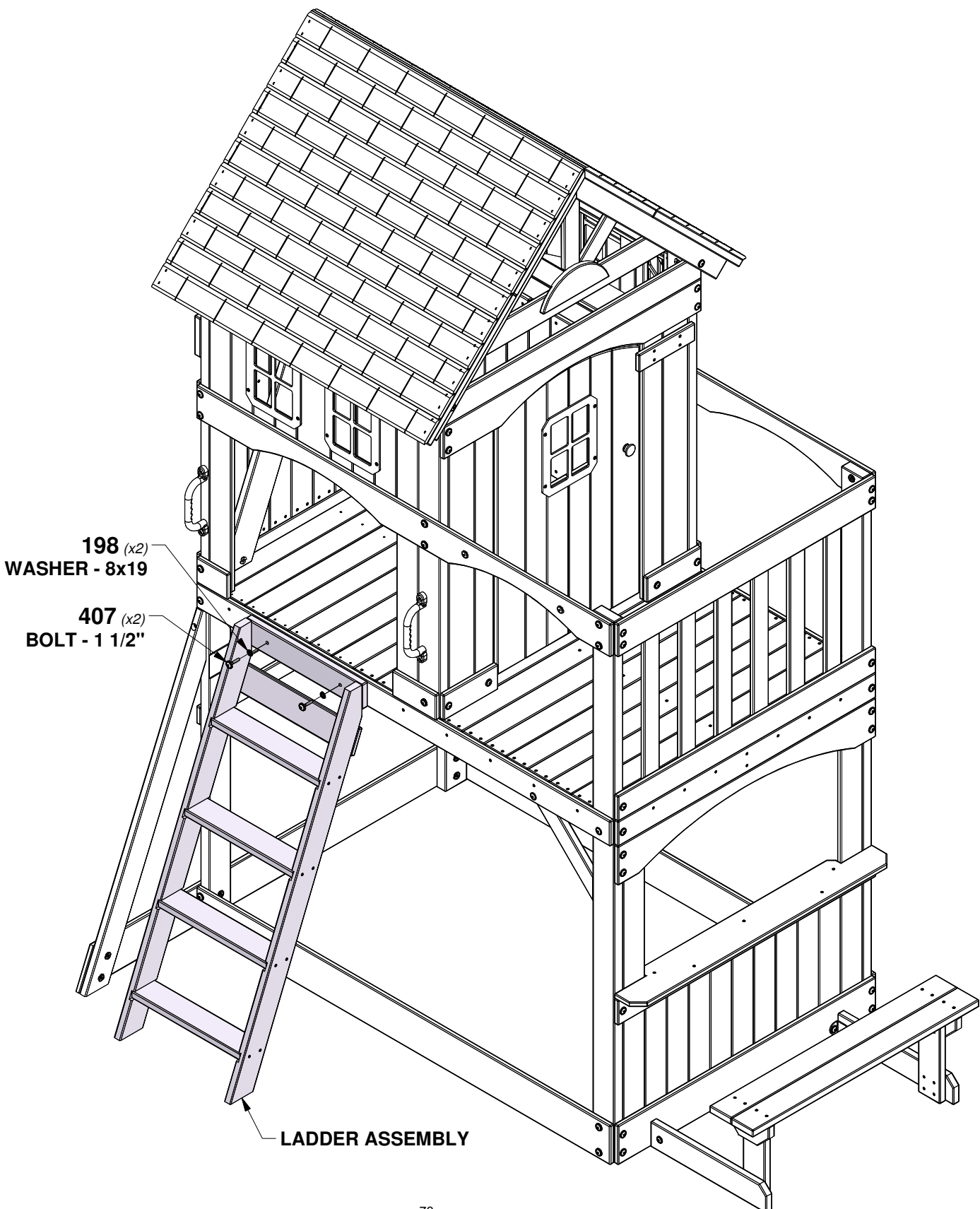


STEP 29 - FORT ASSEMBLY

QTY	PART NUMBER	DESCRIPTION
2	H100198	WASHER LOCK EXT 8x19 BLK
2	H100407	BOLT WH 5/16x1 1/2 BLK

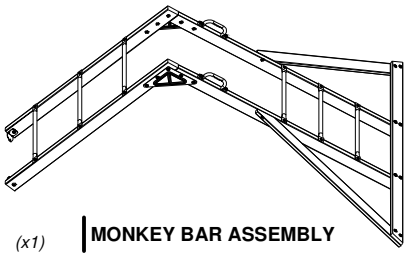


(x1) | LADDER ASSEMBLY



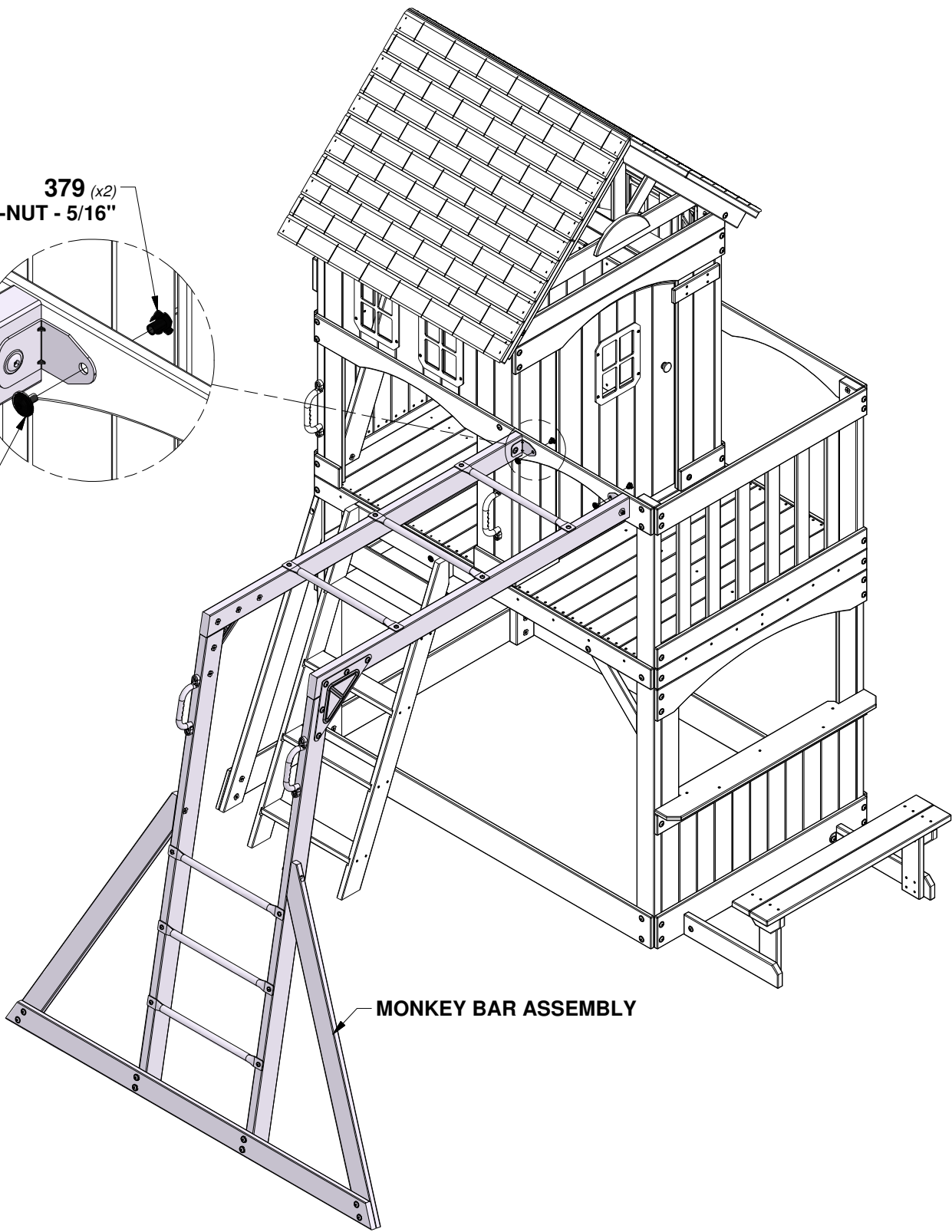
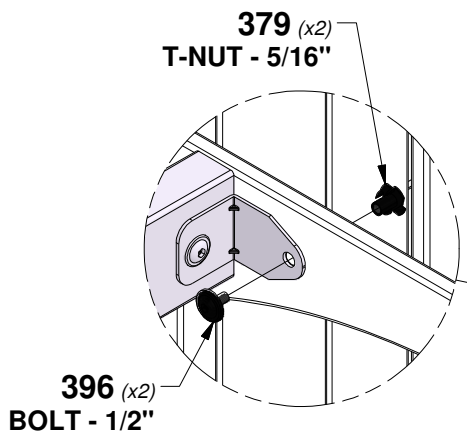
STEP 30 - FORT ASSEMBLY

QTY	PART NUMBER	DESCRIPTION
2	H100379	T-NUT 5/16 BLK
2	H100396	BOLT WH 5/16x1/2 BLK



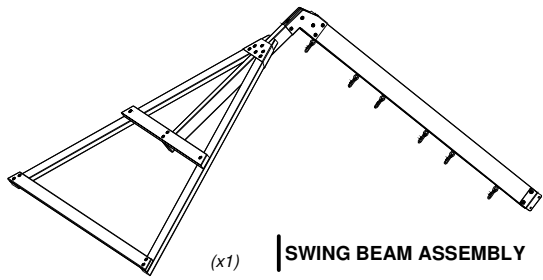
(x1) MONKEY BAR ASSEMBLY

TIP:
INSTALL T-NUTS IN WOOD FIRST

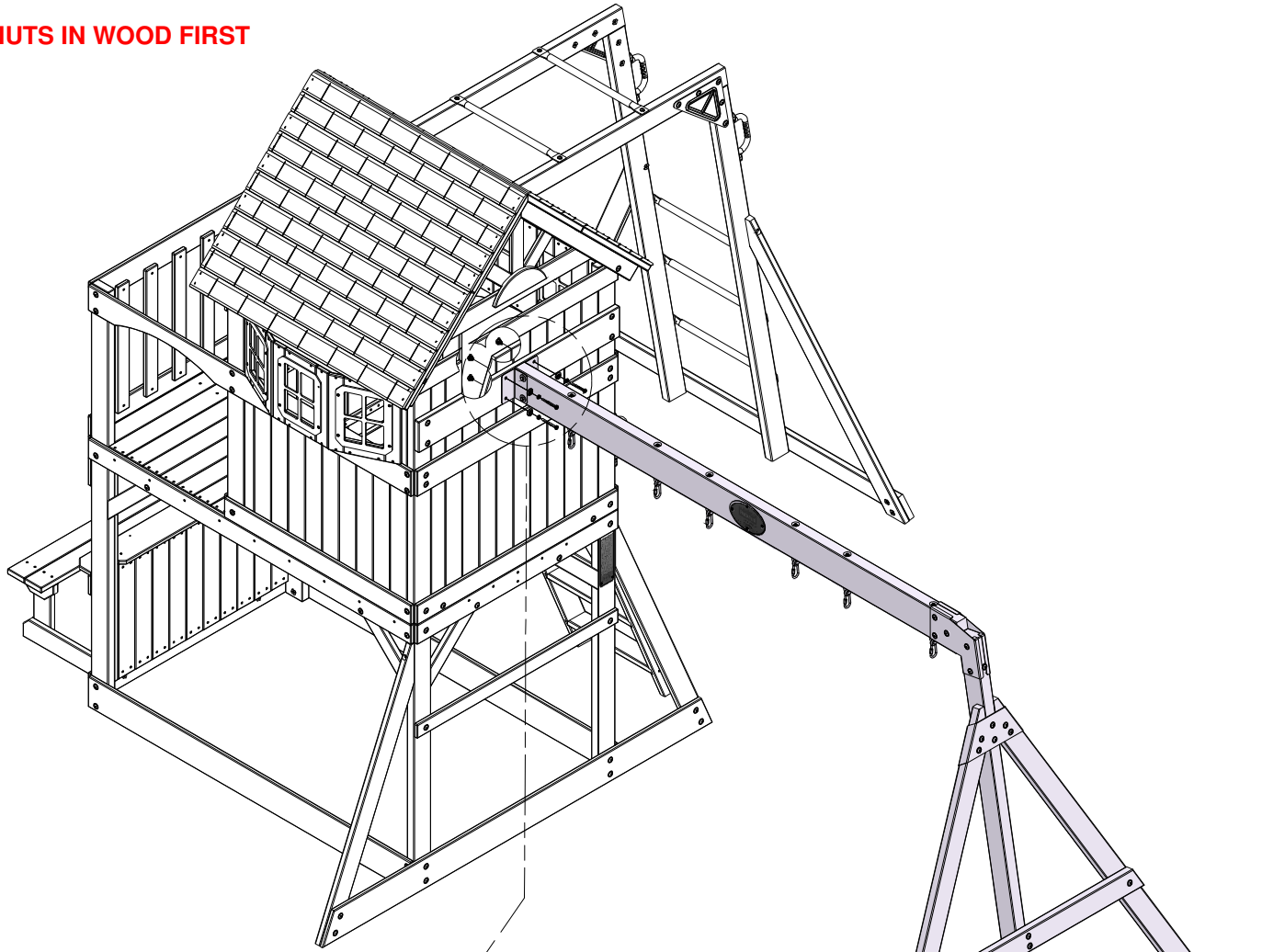


STEP 31 - FORT ASSEMBLY

QTY	PART NUMBER	DESCRIPTION
4	H100379	T-NUT 5/16 BLK
4	H100472	BOLT HEX 5/16x2-3/4 BLK
4	H100477	WASHER SPLIT 5/16 BLK
4	H100478	WASHER FLAT 8x27 BLK



TIP:
INSTALL T-NUTS IN WOOD FIRST



379 (x4)
T-NUT - 5/16"

478 (x4)
WASHER - 8x27

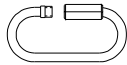
472 (x4)
BOLT - 2 3/4"

477 (x4)
WASHER - 5/16

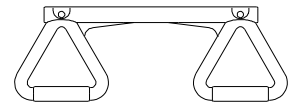
STEP 32 - FORT ASSEMBLY



A6P00054 | SWING SEAT GREEN 22"
(x2)



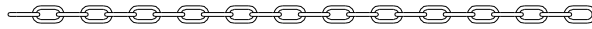
A100069 | QUICK LINK
(x6)



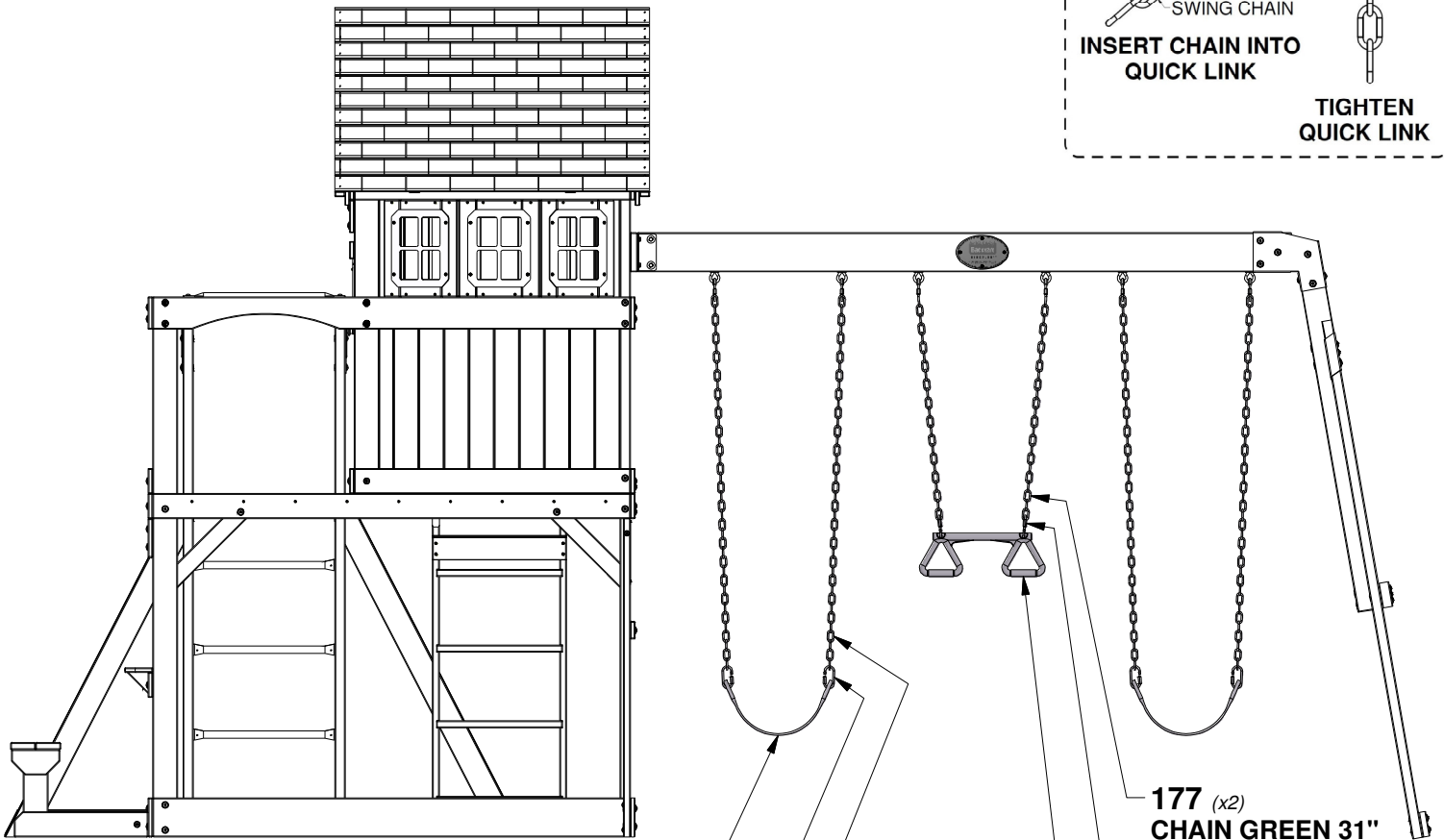
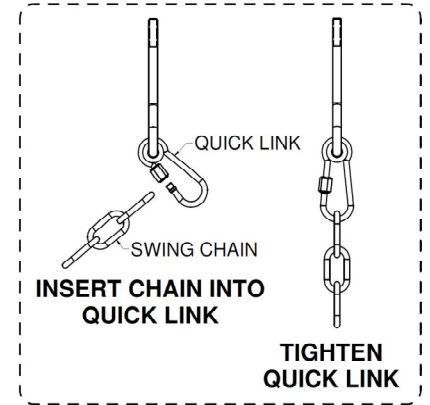
A6P00034 | TRAPEZE YELLOW
(x1)



A100068 | CHAIN GREEN 51.25"
(x4)



A100177 | CHAIN GREEN 31"
(x2)



054 (x2) | SWING SEAT GREEN 22"

069 (x4) | QUICK LINK

068 (x4) | CHAIN GREEN 51.25"

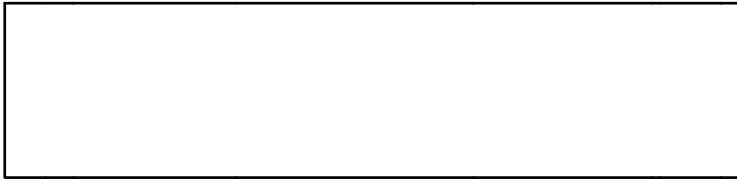
177 (x2) | CHAIN GREEN 31"

069 (x2) | QUICK LINK

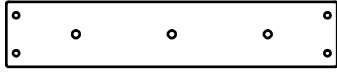
034 (x1) | TRAPEZE YELLOW

STEP 1 - SLIDE ASSEMBLY

QTY	PART NUMBER	DESCRIPTION
3	H100074	T-NUT 5/16
3	H100115	BOLT WH 5/16x1/2



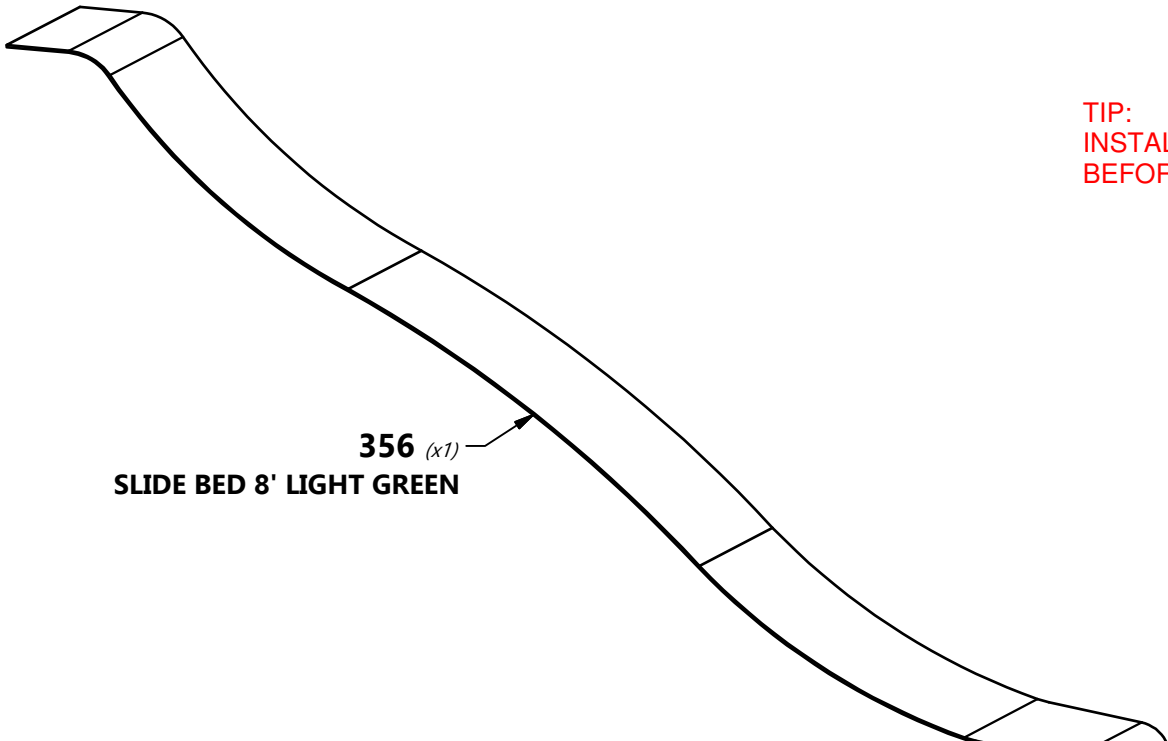
A100356
(x1) | SLIDE BED 8' LIGHT GREEN



M77
(x1) | SLIDE BRACE - W4L08748
5/8"x3 3/8"x17 1/4" (16x86x438)

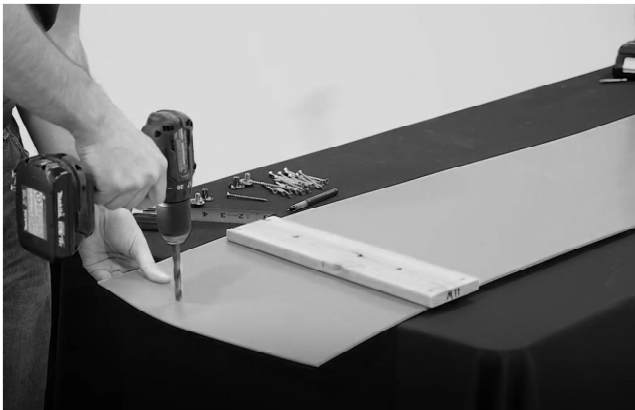
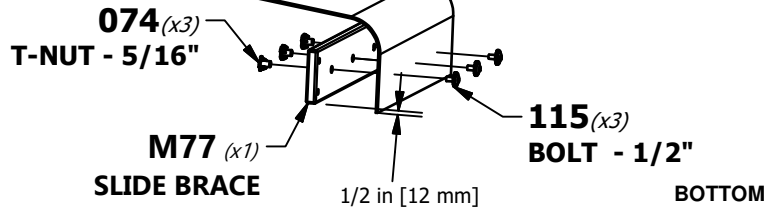
NOTE: TAKE NOTE OF SLIDE BED SURFACE FINISH, THE DULL SIDE WILL BE TOWARDS THE GROUND. PLACE SLIDE BRACE CENTERED ON THE BOTTOM (DULL SIDE) AND 1/2" FROM THE EDGE. USE M77 BOARD AS A TEMPLATE FOR DRILLING BOTTOM HOLE PATTERN IN SLIDE BED. USE A 3/8" DRILL BIT.

TOP



TIP:
INSTALL T-NUTS INTO BOARDS
BEFORE ASSEMBLY

TIP:
PREBENDING THE ENDS WILL EASE ASSEMBLY.
PLACING THE SLIDE BED OUT IN THE SUN MAKES
IT EASIER TO BEND.



STEP 2 - SLIDE ASSEMBLY

QTY	PART NUMBER	DESCRIPTION
24	H100090	SCREW PFH 8x2 1/2



M78 | CENTER SLIDE BRACE - W4L08749
(x2) | 5/8"x3 3/8"x17 1/4" (16x86x438)

NOTE:

PLACE THE SLIDE RAIL ON FLAT SURFACE. STARTING AT THE BOTTOM, INSERT THE SLIDE BED INTO THE CHANNEL ON THE INSIDE OF THE RAIL. HOLD THE SLIDE BED IN PLACE WHILE A HELPER BENDS THE SLIDE BED INTO THE CHANNEL. MAKE SURE THE SLIDE BED IS COMPLETELY INSERTED INTO THE CHANNEL.

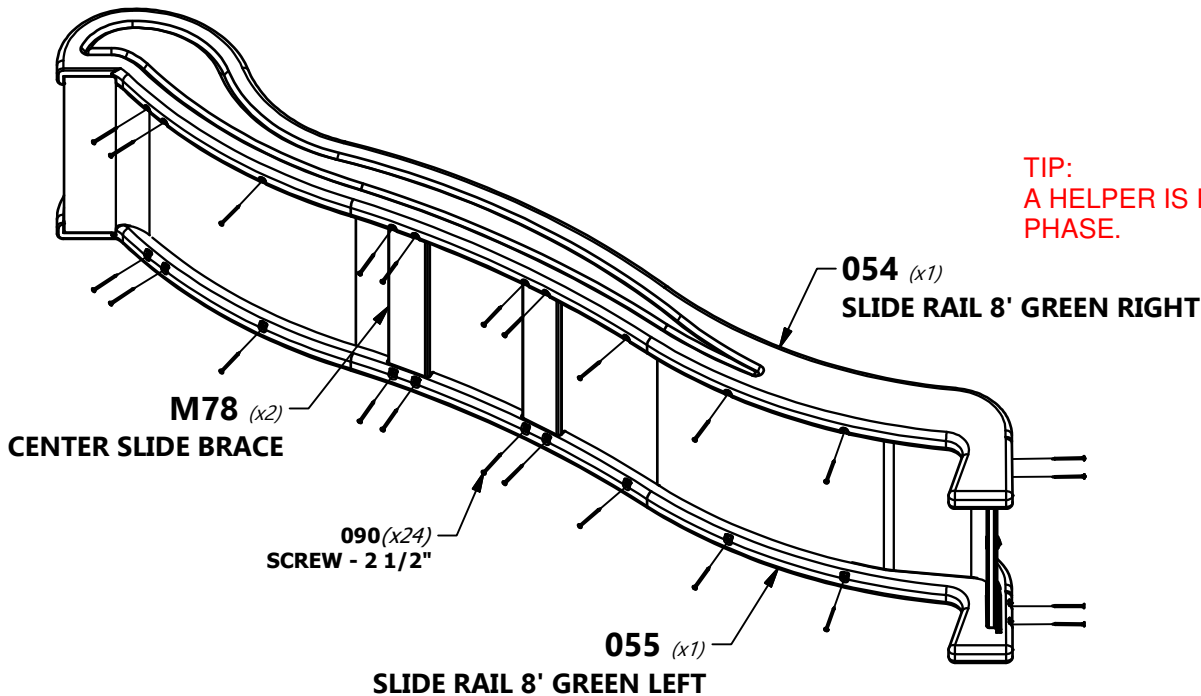
INSERT THE TWO CENTER SLIDE BRACES INTO THEIR RESPECTIVE LOCATIONS. SECURE THE SLIDE BED AND CENTER USING THE PROVIDED HARDWARE.

USING A 1/8" DRILL BIT, DRILL PILOT HOLES IN EACH INDENTATION ALONG EACH SIDE RAIL. THERE SHOULD BE 12 INDENTIONS ON EACH RAIL.

REPEAT THIS PROCESS FOR THE OPPOSITE SLIDE RAIL.



FAILURE TO INSERT SLIDE BED PROPERLY MAY RESULT IN INJURY OR AMPUTATION. EXPOSED SLIDE EDGES CAN BE SHARP AND BECOME A LACERATION HAZARD IF THE SLIDE IS NOT PROPERLY ASSEMBLED.

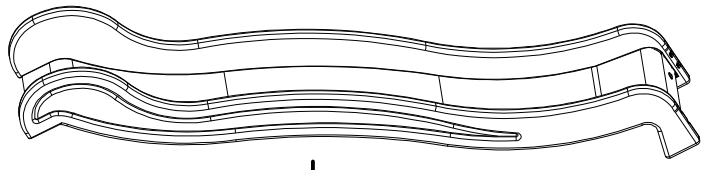


TIP:
A HELPER IS REQUIRED FOR THIS PHASE.

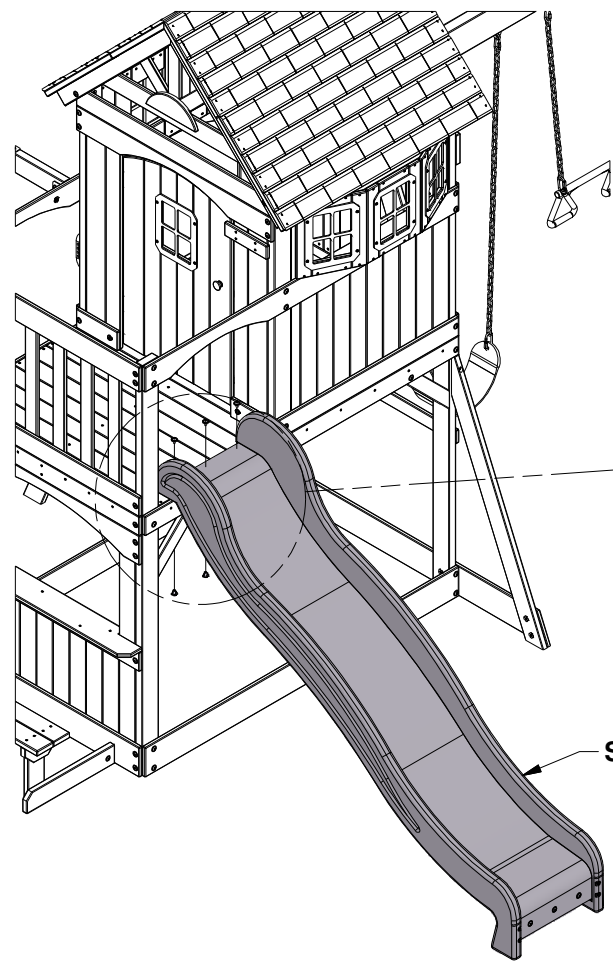
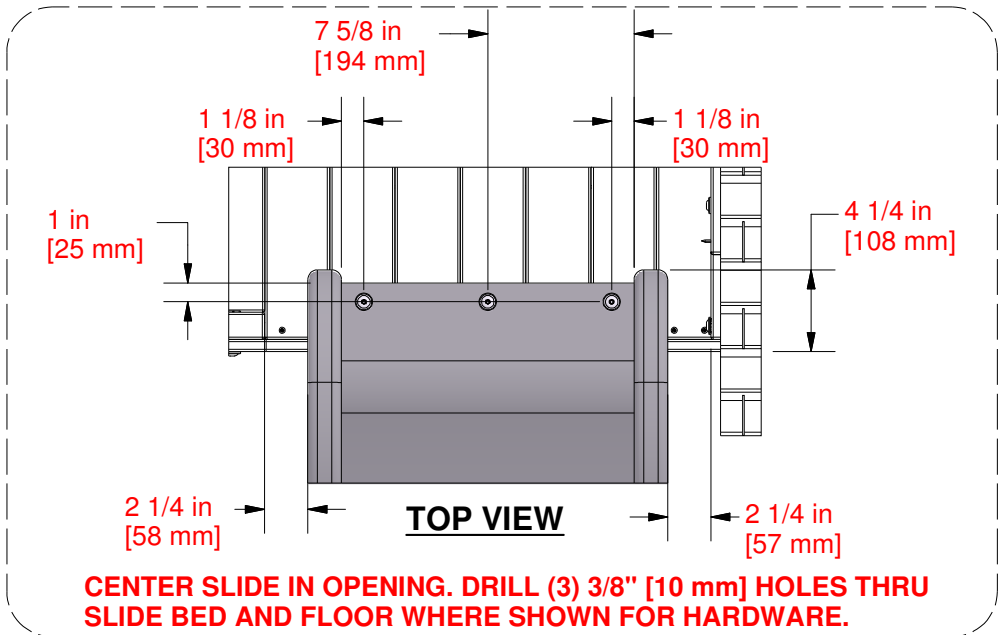


STEP 33 - FORT ASSEMBLY

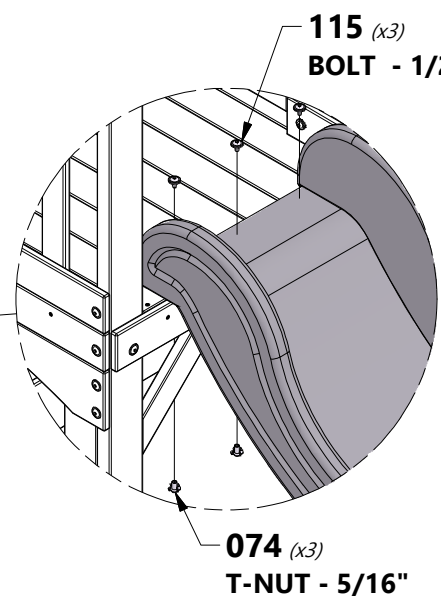
QTY	PART NUMBER	DESCRIPTION
3	H100074	T-NUT 5/16
3	H100115	BOLT WH 5/16x1/2



(x1) | SLIDE ASSEMBLY

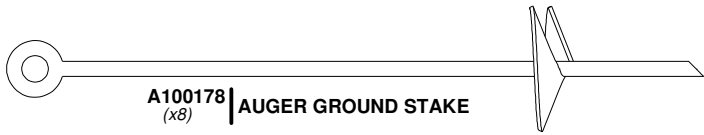


SLIDE ASSEMBLY

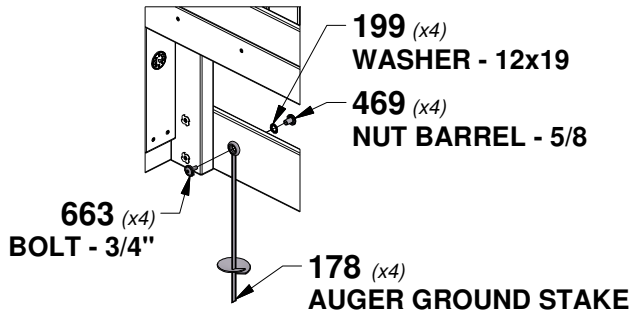


STEP 34 - FORT ASSEMBLY

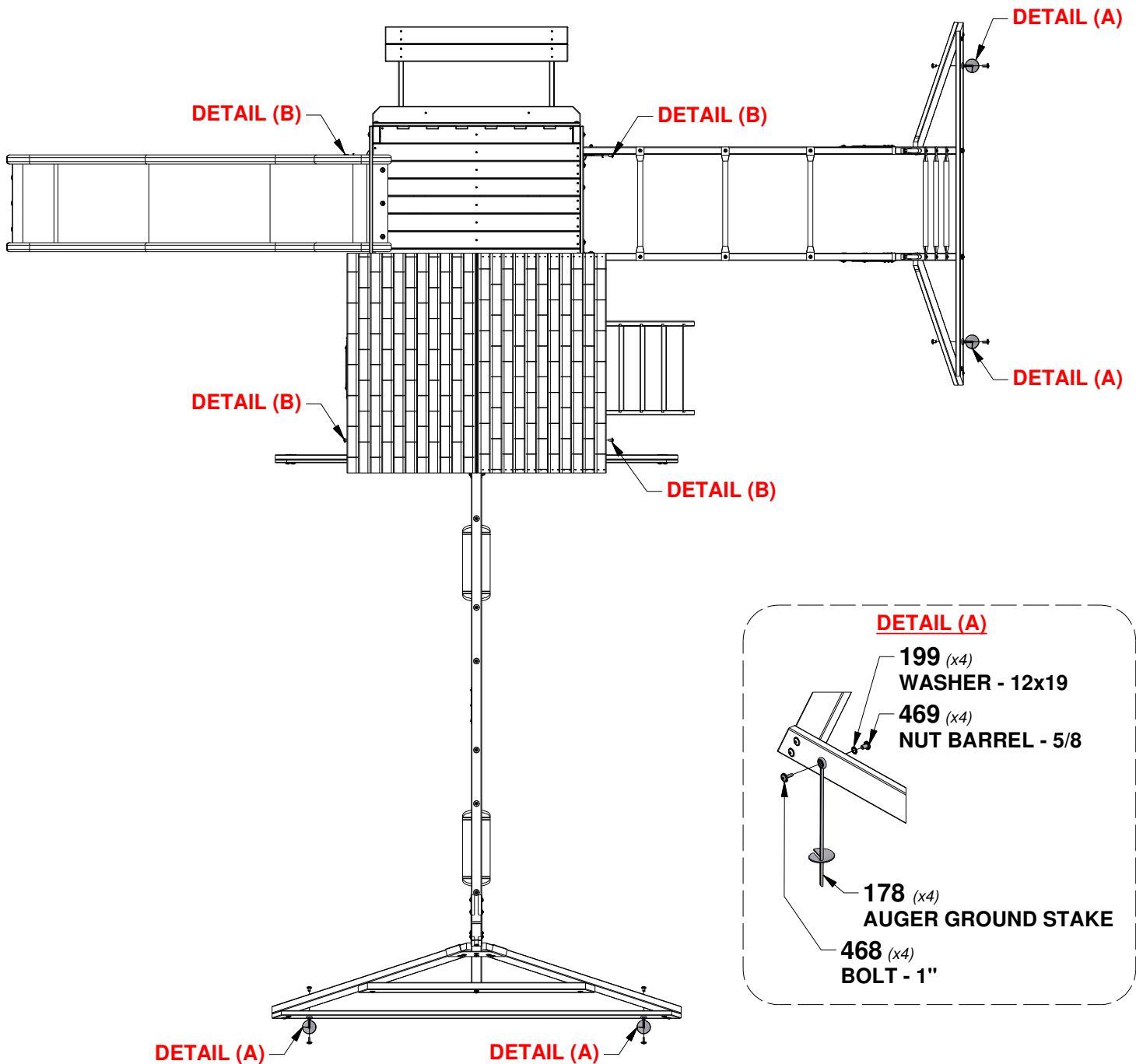
QTY	PART NUMBER	DESCRIPTION
8	H100199	WASHER LOCK EXT 12x19 BLK
4	H100468	BOLT WH 5/16x1 BLK
8	H100469	NUT BARREL WH 5/16x5/8 BLK
4	H100663	BOLT WH 5/16x3/4 BLK



DETAIL (B)



TWIST GROUND STAKE (178) INTO GROUND AT LOCATIONS SHOWN. USING GROUND STAKE AS A GUIDE, DRILL A 3/8" [10mm] HOLE FOR HARDWARE.



DETAIL (A)

