



Swish Trampoline Basketball Ring



WARNING!

The disassembled item contains small parts which pose a choking hazard to children under 3.

IMPORTANT:

The owner's manual contains safety, assembly, use and maintenance instructions. The product must be assembled by an adult who has read and understood these instructions. Keep the packaging away from children and dispose of all packaging before use.

For the installer and your children's safety, it is important to fully read and understand the instructions and safety hazards before commencing the assembly of the product.



TABLE OF CONTENTS

| | | |
|-----|-----------------------------|-----|
| 1. | GENERAL SAFETY INSTRUCTIONS | 3 |
| 2. | ASSEMBLY INSTRUCTIONS | 6 |
| 2.1 | TOOLS | 7 |
| 2.2 | PARTS LIST | 6-7 |
| 3. | INSTALLATION | 8 |
| 3.1 | STEP 1 | 8 |
| 3.2 | STEP 2 | 8 |
| 3.3 | STEP 3 | 9 |
| 3.4 | STEP 4 | 10 |
| 4. | WARRANTY | 11 |

1 GENERAL SAFETY INSTRUCTIONS

(Note: Compatibility cannot be guaranteed with other brand trampolines)

It is the responsibility of the owner to become familiar with the safety rules and to convey these rules to all users.

- Read and follow all of the warnings and use instructions for your trampoline and safety enclosure
- Read and follow all rules specified on the warning labels that came with your trampoline safety enclosure and basketball set. If labels or signs become lost or unreadable please replace
- The Swish Basketball Ring should be used only as described in this manual. The basketball set must only be mounted to a compatible safety enclosure system. It should never be mounted on any other device in any manner not described in this manual. Do not attach anything to the basketball set or safety enclosure that is not a manufacturer-approved accessory or part of the enclosure system
- Do not allow more than one person on the trampoline. Do not allow more than one person inside the trampoline enclosure. Use by more than one person at the same time can result in serious injury. This includes "one-on-one" type games and any other games or activities where more than one person is on the trampoline at the same time.
- Do not hang from, kick or climb on any part of the basketball set or safety enclosure.
- Remove all jewellery watches and hair clips before using the basketball set.
- Wear clothing free of drawstrings hooks loops or anything that could get caught in the basketball set or safety enclosure.
- Do not use the trampoline or basketball set while under the influence of alcohol or drugs.

- Do not install the basketball set on a pole that is near or over a missing or damaged frame pad
- When not in use store the basketball provided with your set in a dry location.
- Use the trampoline and basketball set only with mature, knowledgeable supervision
- Do not hang on the hoop. While the Swish Basketball Set is designed to withstand rigorous use the hoop is not designed to be hung on. Hanging on the hoop can damage the enclosure pole and trampoline to which the basketball set is installed. Damage resulting from hanging on the hoop is not covered by warranty

Overhead Clearance Adequate overhead clearance is essential. A minimum of 24 feet from ground level is recommended. Provide clearance for wires, tree limbs and other possible hazards.

Lateral Clearance Lateral clearance is essential. Place the basketball set away from walls, structures, fences, and other play areas. Maintain a clear space on all sides of the trampoline and trampoline enclosure.

Level Surface Place the trampoline and trampoline enclosure on a level surface before installing and using the basketball set.

Lighting Use the basketball set in a well-lighted area. Artificial illumination may be required for indoor or shady areas

Security Secure the trampoline and trampoline enclosure against unauthorized and unsupervised use.

Underneath Clearance Remove any obstructions from beneath the trampoline and trampoline enclosure

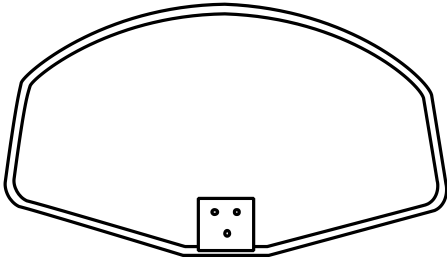
Note: The trampoline enclosure is only to be used as an enclosure for a trampoline and the trampoline must be of the appropriate size as covered by the specific enclosure

Note: The owner and of the trampoline are responsible to make all users aware of practices specified in the instructions. Do not install the basketball set on a pole with damaged pads.

2 ASSEMBLY INSTRUCTION

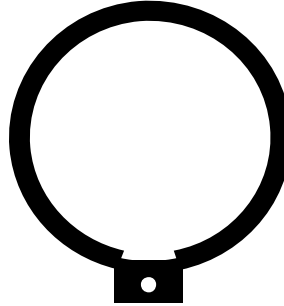
PACK CONTENTS

A Backboard



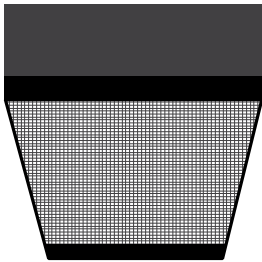
x1

B Ring



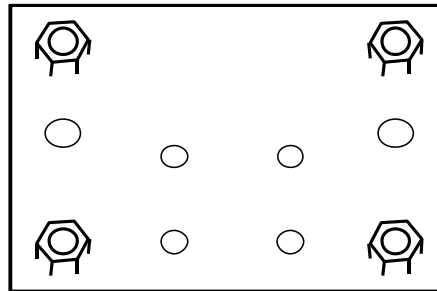
x1

C Net



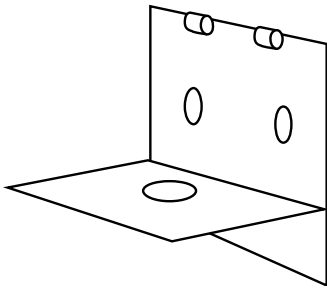
x1

D Flat Plate



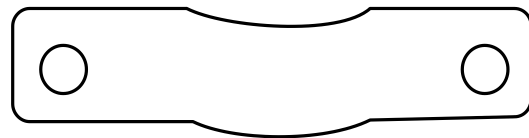
x2

E Connection Plate



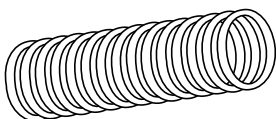
x1

F Clamp



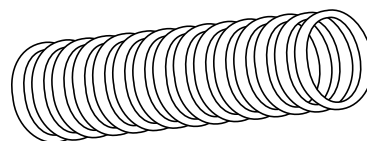
x2

G Short






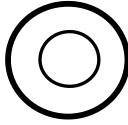
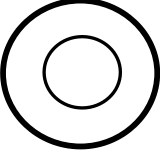
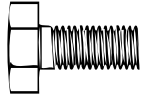
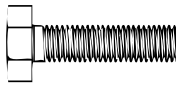
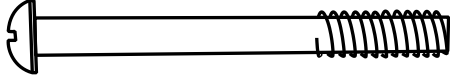
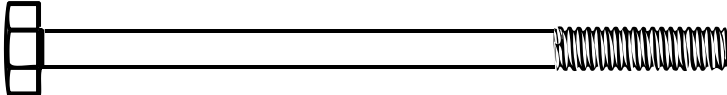
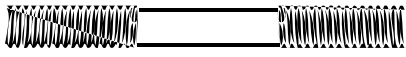
x1

H Long



x1

FITTINGS

| | | | |
|---|---|--|--|
| <p>L-1</p>  <p>M6 x3</p> | <p>L-2</p>  <p>M8 x5</p> | <p>L-3</p>  <p>M5 x1</p> | <p>M-1</p>  <p>M6 x6</p> |
| <p>M-2</p>  <p>M8 x7</p> | <p>1 x2</p>  <p>M8x12mm</p> | <p>2 x3</p>  <p>M6x35mm</p> | <p>3 x1</p>  <p>M5x75mm</p> |
| <p>4 x1</p>  <p>M8x100mm</p> | | <p>5 x4</p>  <p>M8x40mm</p> | |

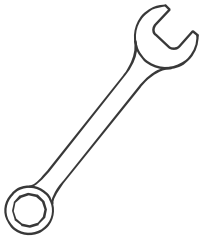
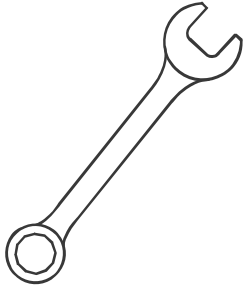
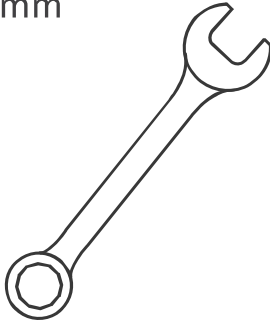
Preparation

Remove all parts and hardware from the carton and place them on a clean soft surface. Check carefully to make sure nothing is missing. Dispose of all packaging material properly. Please recycle.

The following items are required for assembly(not included):

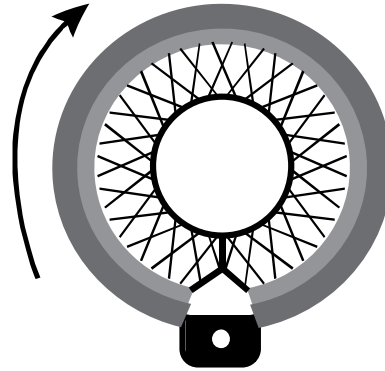
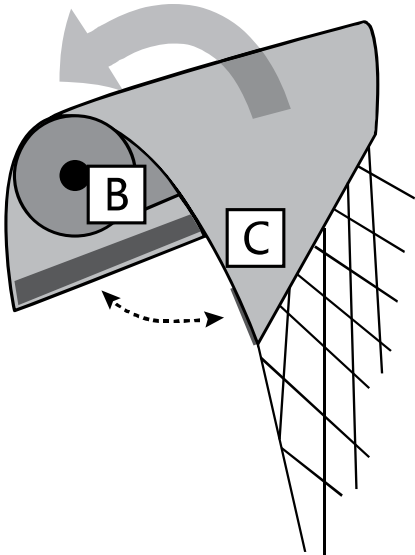
- Two adjustable wrenches; Or wrenches or sockets in the following sizes: 10mm ,13mm and 17mm

TOOL

| | | |
|---|---|---|
| <p>10mm</p>  | <p>13mm</p>  | <p>14mm</p>  |
|---|---|---|

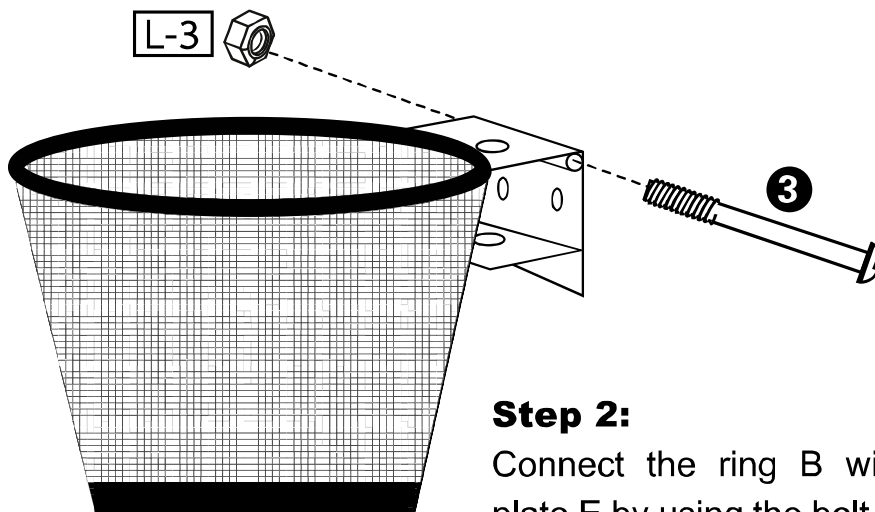
3 STRAIGHT POLE INSTALLATION

Note: Some components may have been pre-assembled



Step 1:

Attach the net on the loop as the picture showing.

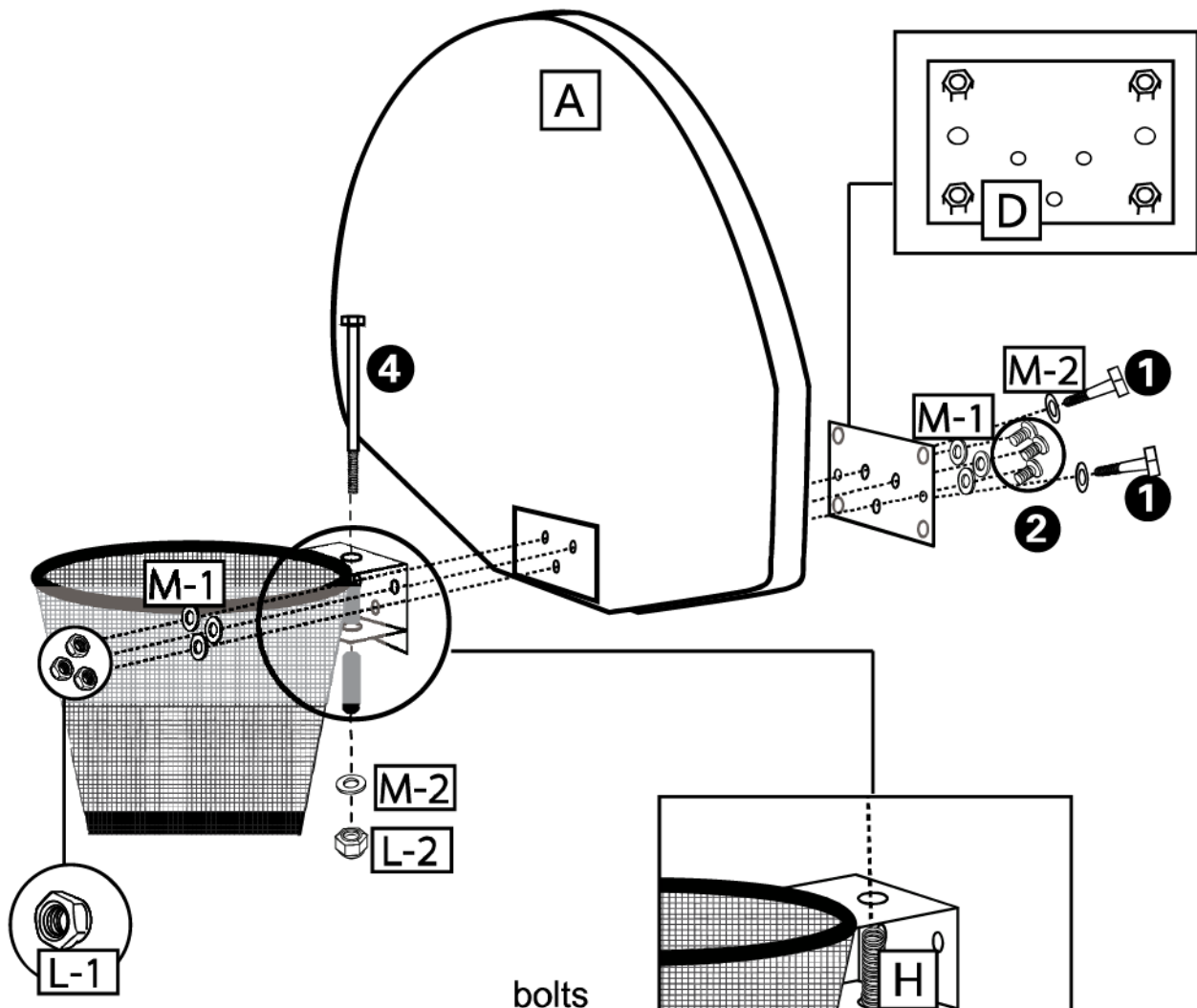


Step 2:

Connect the ring B with connection plate E by using the bolt ③ through the joint and locked with L-3.

Note:

Ensure the bracket is fitted the right way up (larger section down) to allow the hoop to swing upwards against the backboard.

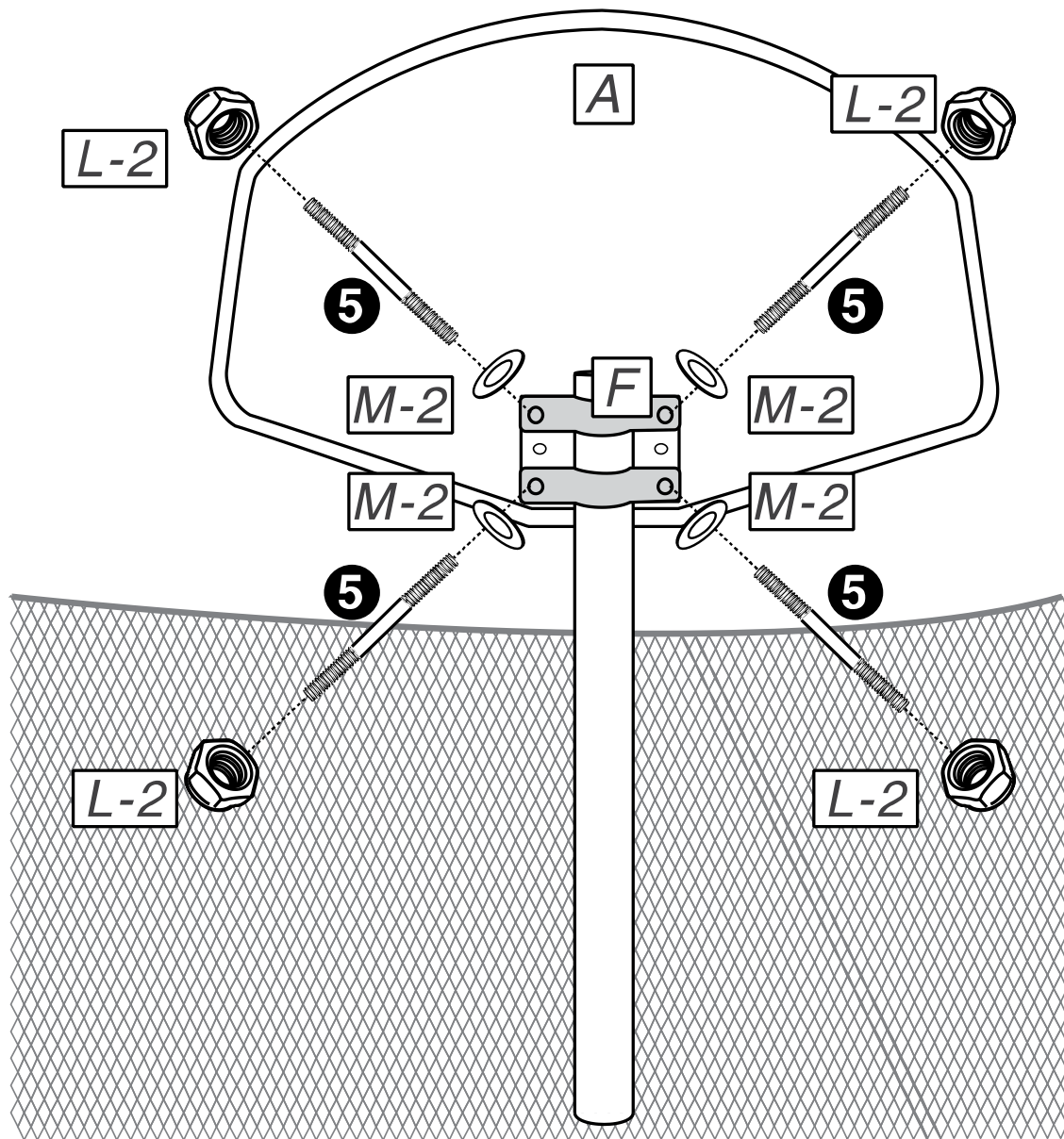


Step 3:

Attach the flat plate D on the backside of backboard A, locked by using two bolts ① and two washers M-2, then to attach the ring B on the front of backboard at the joint by using three nuts L-1 through six washers M-1 and three ②. Then to fit the spring on the connection plate as the figure shows.

Note:

Ensure the bracket is fitted the right way up (larger section down) to allow the hoop to swing upwards against the backboard.



Step 4:

Attach the whole basketball set onto the ideal safety poles of your trampoline, lock it with two clamps F by using four bolts ⑤ through four washers M-2 and four nuts L-2.

Note:

Ensure the bracket is fitted the right way up (larger section down) to allow the hoop to swing upwards against the backboard.

4 WARRANTY

AUSTRALIAN CONSUMER LAW

Many of our products come with a guarantee or warranty from the manufacturer. In addition, they come with guarantees that cannot be excluded under the Australian Consumer law. You are entitled to a replacement or refund for a major failure and compensation for any other reasonably foreseeable loss or damage.

You are entitled to have the goods repaired or replaced if the goods fail to be of acceptable quality and the failure does not amount to a major failure. Full details of your consumer rights may be found at www.consumerlaw.gov.au

Please visit our website to view our full warranty terms and conditions:

<http://www.lifespankids.com.au/Warranty-Policy-Kids>

Please send all warranty and support inquiries through our ticketing system via the email address: support@lifespankids.com.au.