



# 16x12 TRENTON, WINDHAM PERGOLA

Model #'s 2105119, 2105140,  
2105416, 2105447

Owner's Manual & Assembly Instructions

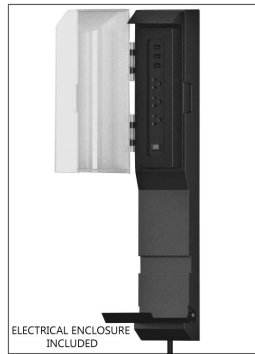
MANUFACTURED BY:  
Backyard Discovery  
3305 Airport Drive  
Pittsburg, KS 66762  
800-856-4445



2105140, 2105447 AU  
WINDHAM (WHITE)



2105119, 2105416 AU  
TRENTON (BLACK)



ELECTRICAL ENCLOSURE  
INCLUDED  
Electrical enclosure available only in North America

average 3 person assembly time



assembly time may vary based on skill level



**INSTALLATION  
SERVICES  
AVAILABLE!\***

*Need a helping hand?*

Let our team of professionals handle the installation for you!

**GOCONFIGURE**  
888-888-5424

\*Installation services are only available  
to U.S. customers.

Before you begin

**FOR QUICK &  
EASY ASSEMBLY**

FIND 3D INSTRUCTIONS  
FOR THIS PRODUCT IN

**BILT.**

DOWNLOAD THE FREE APP



For the most up to date assembly manual,  
to register your set, or to order replacement parts please visit

**[www.backyarddiscovery.com](http://www.backyarddiscovery.com)**

**SAVE THIS ASSEMBLY MANUAL FOR FUTURE REFERENCE IN THE EVENT THAT YOU NEED  
TO ORDER REPLACEMENT PARTS.**

Para obtener instrucciones en español, visite [www.backyarddiscovery.com](http://www.backyarddiscovery.com)



**GOCONFIGURE**  
*Putting it all together for you*

# **INSTALLATION SERVICES AVAILABLE!\***

*Need a helping hand?*

Let our team of professionals handle the installation for you!

**GOCONFIGURE**  
**888-888-5424**

*\*Installation services are only available  
to U.S. customers.*

With Go Con! gure, we bring you 18 years of experience right to your doorstep. We service a wide array of indoor and outdoor recreation products that most consumers don't have the time or ability to deliver & install themselves.

**We do the heavy lifting, so you don't have to!**

- 
- 18+ Years of Experience Servicing Big Box Retailers and Direct Consumers
  - Highly Skilled, Specialized, Courteous, Professional Service Technicians
  - Over 140,000 Installations Annually
  - White Glove Service

- Satisfaction Guarantee
  - Flexible Appointments, including weekends
  - Coverage across the nation
- Visit [www.goconfigure.com](http://www.goconfigure.com) for more info!**
- 

*\*Installation services are only available to U.S. customers.*



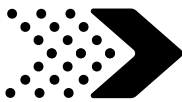
The store where you made your purchase does not stock parts for this item. If you have assembly questions or you are missing or have damaged parts, please call

**1-800-856-4445**

you can also visit [www.backyarddiscovery.com](http://www.backyarddiscovery.com)  
or e-mail [customerservice@backyarddiscovery.com](mailto:customerservice@backyarddiscovery.com)

**Please have the following information ready when you make your call:**

- Model Number of the product located on the front of the assembly manual
  - The item description and number from the parts list from the manual that was included in your box
- 
- Read entire assembly manual, paying special attention to the important tips and safety information.
  - To ensure there are no missing pieces do a complete inventory by first separating and identifying all parts.
  - Make sure to check packing material for small parts that may have fallen out during shipment.
  - Structures are not intended for public use. The Company does not warranty any of its residential structures subjected to commercial use.
  - This manual contains helpful information concerning assembly preparation, installation procedure and required maintenance.
  - Always keep safety in mind as your structure is being built.
  - Keep these instructions for future reference.



### THE MANUFACTURER RESERVES THE RIGHT TO MAKE SUBSTITUTIONS TO WARRANTY CLAIMS IF PARTS ARE UNAVAILABLE OR OBSOLETE

This Limited Warranty by Backyard Discovery applies to products manufactured under the Backyard Discovery brand or its other brands, including but not limited to, Adventure Playsets and Leisure Time Products.

#### Backyard Discovery Wood Patio Structure

Backyard Discovery warrants this wood patio product to be free from defects in materials and workmanship for a period of two (2) years from the original date of purchase. All wood carries a five (5) year warranty against rot and decay from the original purchase date. LIMITED WARRANTY

### OUTDOOR PATIO ITEMS

### THE MANUFACTURER RESERVES THE RIGHT TO MAKE SUBSTITUTIONS TO WARRANTY CLAIMS IF PARTS ARE UNAVAILABLE OR OBSOLETE

This Limited Warranty by Backyard Discovery applies to products manufactured under the Backyard Discovery brand or its other brands, including but not limited to, Adventure Playsets and Leisure Time Products.

#### Backyard Discovery Wood Patio Structure

Backyard Discovery warrants this wood patio product to be free from defects in materials and workmanship for a period of two (2) years from the original date of purchase. All wood carries a five (5) year warranty against rot and decay from the original purchase date.

#### Backyard Discovery Metal Patio Structure

Backyard Discovery warrants this metal patio product to be free from defect in materials and workmanship for a period of five (5) years from the original date of purchase.

#### General Warranty Information

This warranty applies to the original owner and registrant and is non-transferable. Regular maintenance is required to ensure maximum life and performance of this product. Failure by the owner to maintain the product according to the maintenance requirements may void this warranty. Maintenance guidelines are provided in the Owner's Manual.

#### This Limited Warranty does not cover:

#### Backyard Discovery Metal Patio Structure

Backyard Discovery warrants this metal patio product to be free from defect in materials and workmanship for a period of five (5) years from the original date of purchase.

#### General Warranty Information

This warranty applies to the original owner and registrant and is non-transferable. Regular maintenance is required to ensure maximum life and performance of this product. Failure by the owner to maintain the product according to the maintenance requirements may void this warranty. Maintenance guidelines are provided in the Owner's Manual.

#### This Limited Warranty does not cover:

- Natural occurring properties of wood such as twisting, warping, checking, peeling or any other natural occurring properties of wood that do not affect performance or integrity.
- Installation – the warranty is null and void if installation is not in accordance with the Assembly Instructions.
- Labor for any inspection
- Labor for replacement of any defective item(s)
- Incidental or consequential damages
- Cosmetic defects, including rusting, color fading, minor cracks, corrosion, which do not affect performance or integrity of a part or the entire product.
- Vandalism, improper use, failure due to loading or use beyond the capacities stated in the applicable Assembly Manual.
- Acts of nature including but not limited to wind, storms, hail, floods, excessive water exposure.
- Improper installation including but not limited to installation on uneven, unlevel, or soft ground.

Backyard Discovery products have been designed for safety and quality. Any modifications made to the original product could damage the structural integrity of the unit leading to failure and possible injury. Modification voids any-and-all warranties and Backyard Discovery assumes no liability for the modified products or consequences resulting from failure of a modified product. Backyard Discovery disclaims all other representations and warranties of any kind, express or implied.

**USA and Canada:** To make a warranty or replacement part claim please visit [backyarddiscovery.com](http://backyarddiscovery.com) or call Backyard Discovery customer service at **800-856-4445**. Backyard Discovery will, at its sole discretion, replace any part within the stated warranty period that is defective in workmanship or materials. At Backyard Discovery's discretion, photographs of the defective part, physical return of the defective part to Backyard Discovery, or proof of purchase may be required for verification.

**Outside of the USA and Canada:** Contact place of purchase or distributor for warranty service.

This Warranty gives you specific legal rights. You may have other rights as well which vary from state to state, province to province or country to country, where you bought the product. This warranty excludes all consequential damages however, some states do not allow the limitation or exclusion of consequential damages and therefore this limitation may not apply to you.

### Please read entire booklet completely before beginning the assembly process

Please retain these instructions and your receipt for future reference. Keep them in a safe place where you can refer to them as needed. In order to provide you with the most efficient service, it is required that you provide us with the part numbers when ordering parts.

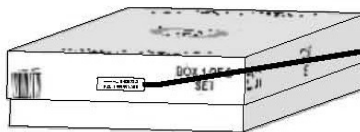
#### For Your Records:

Please take time and fill out the information below. This information will be needed for warranty issues.

Where Purchased: \_\_\_\_\_  
 Date of Purchase: \_\_\_\_\_  
 Installation Date: \_\_\_\_\_  
 Installed by: \_\_\_\_\_  
 Tracking Number: \_\_\_\_\_



Product Number Plate



Tracking Number Reference Label

Tracking ID number on the carton and on the product number plate are included for tracking purposes associated with warranty claims.



# WARNING

**IT IS IMPORTANT TO CHECK AND TIGHTEN ALL HARDWARE AT THE BEGINNING AND DURING THE SEASON AS THEY MAY LOOSEN DUE TO EXPANSION AND CONTRACTION.**

- **DO NOT climb or walk on the roof for any reason**
- **Requires two or more people to assemble safely**
- **Check for underground utilities before digging or driving stakes into the ground.**
- **Check carefully for overhead lines and ensure there is at least 6ft (2m) clearance from any overhead electrical wires.**
- **Permanent structures may require a building permit. As the purchaser and or installer of this product you are advised to consult local planning, zoning and building inspection departments for guidance on applicable building codes and/or zoning requirements.**
- Wear gloves to avoid injury during installation.
- During installation, follow all safety warnings provided with your tools and use safety glasses.
- Check all nuts and bolts twice monthly during the usage season and tighten as required. It is particularly important that this procedure be followed at the beginning of each season.
- Oil all metallic moving parts monthly during the usage period.
- Check all coverings for bolts and sharp edges twice monthly during usage season to be certain they are in place. Replace when necessary. It is especially important to do this at the beginning of each new season.
- For rusted areas on metallic members such as hinges, brackets, etc. sand and repaint, using a non lead-based paint meeting the requirements of Title 16 CRF Part 1303.
- Touch up paint is available through Backyard Discovery. Please have the product number tag available for reference for customer support. This insures the correct color will be provided.

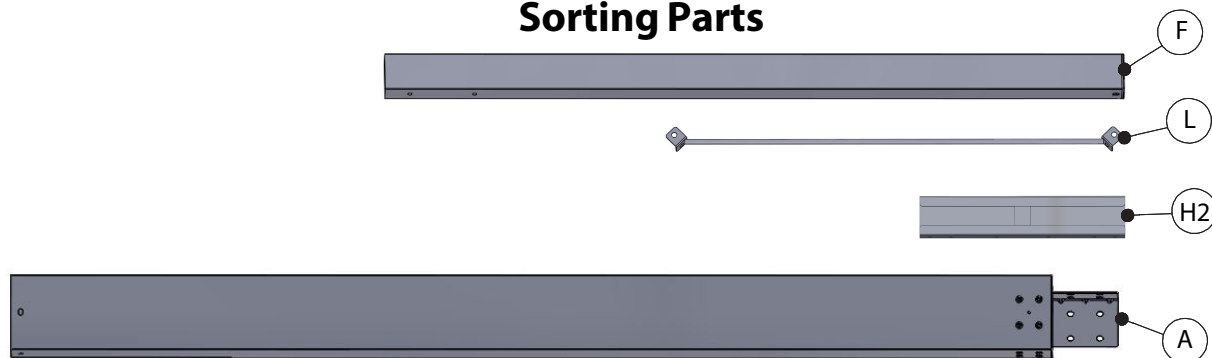
**OWNERS SHALL BE RESPONSIBLE FOR MAINTAINING THE LEGIBILITY OF THE WARNING LABELS**



### ASSEMBLY TIP:

Keep an eye out for these boxes which will contain helpful pictures and information making the assembly process as quick and painless as possible.

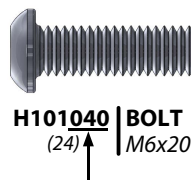
## Sorting Parts



When removing the parts from the boxes we recommend arranging them by part number before you begin assembly. This will allow for faster assembly and easily identify any parts that may be missing or damaged.

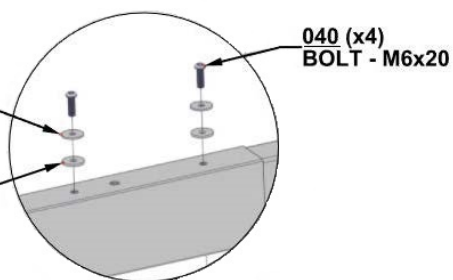
## Hardware Identification

Hardware is identified with a seven digit alpha-numeric part number. During assembly you only need to reference the last three digits of the part number as noted in each step. This will make finding the correct hardware easier.



053 (x4)  
STEEL WASHER - 6x20

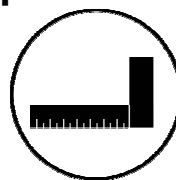
054 (x4)  
RUBBER WASHER - 6x20



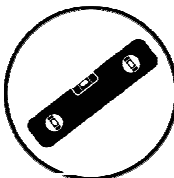
## Tools Required



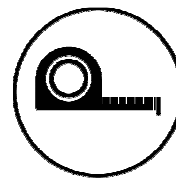
Some steps in the assembly process will require a second set of hands. Make sure you have a helper available.



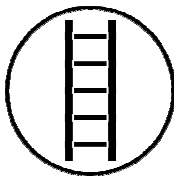
You will need to make sure that your assembly is square before fully tightening your bolts.



For proper assembly you will need to ensure that your structure is level before proceeding to the next step.



A tape measure may be needed to check overall dimensions to ensure structure is square.



A ladder will be needed for assembly. DO NOT stand or climb on any part of the structure at any point. Doing so may result in injury.



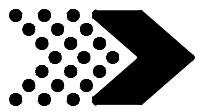
A rubber mallet may be useful during the assembly process.



A Phillips head screw driver will be used in an assembly step.



A drill and concrete drill bit will be used in an assembly step.



It is critically important that you start with square and level footings, concrete pad or deck to attach your structure

- Pay close attention to the items needed for each step. Make sure you are using the correct hardware for each step. Using incorrect hardware may result in improper assembly
- Remember to double check for underground utilities and overhead electrical lines

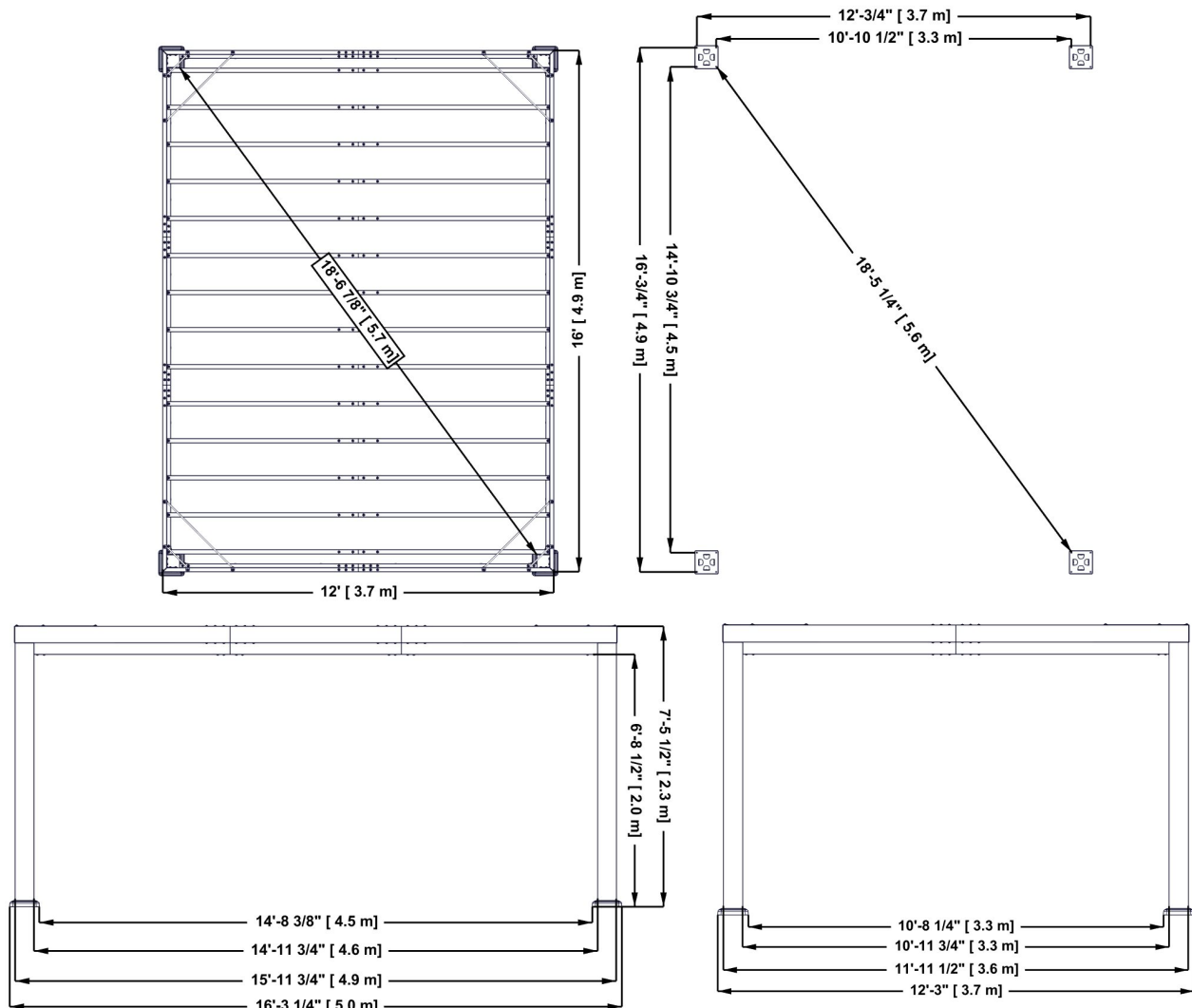
Post mounts are provided with your structure which allows you to permanently install your structure to a pre-existing or new wood or concrete surface.

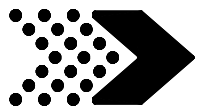
- The hardware to attach the post mounts to the structure is included.
- The hardware to mount the structure permanently to a concrete surface is NOT included.
- The hardware to mount the structure permanently to a wood deck is NOT included and will need to be purchased separately. **You must ensure there is ample structural support under the deck before permanently attaching.**

## Metal Roof Assembly

Remove plastic covering from metal roof panels before installing each piece. Place roofing materials on a nonabrasive, flat surface before and after assembly as it could bend, dent or scratch

### Overall Dimensions





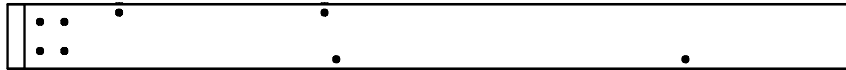
Metal Components (Not to Scale)



**A** | **POST-A4M01436**  
(x4) | 6"X6"X89" (152x152x2261)



**B1** | **JOIST END-A4M01441**  
(x2) | 1 3/8"X5 1/4"X68 5/8" (36x134x1743)



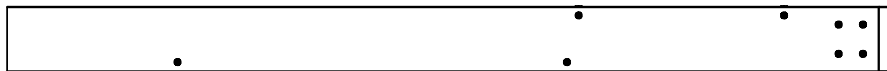
**B2** | **JOIST END-A4M01442**  
(x2) | 1 3/8"X5 1/4"X68 5/8" (36x134x1743)



**C1** | **JOIST END-A4M01444**  
(x2) | 1 3/8"X5 1/4"X62 1/2" (36x134x1587)



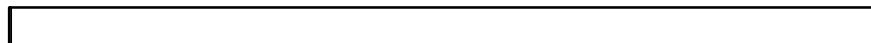
**C2** | **JOIST END-A4M01445**  
(x2) | 1 3/8"X5 1/4"X62 1/2" (36x134x1587)



**D1** | **JOIST END-A4M01447**  
(x2) | 1 3/8"X5 1/4"X71 7/8" (36x134x1826)



**D2** | **JOIST END-A4M01448**  
(x2) | 1 3/8"X5 1/4"X71 7/8" (36x134x1826)



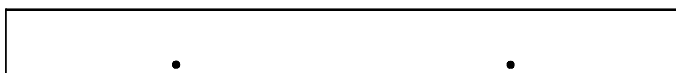
**F** | **JOIST END-A4M01449**  
(x28) | 1 5/8"x3 1/8"x70 1/2" (41x81x1790)



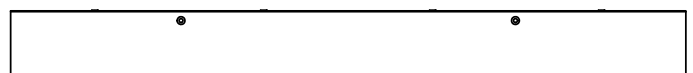
**E1** | **JOIST END-A4M01456**  
(x2) | 1 3/8"X5 1/4"X65 3/4" (36x134x1670)



**E2** | **JOIST END-A4M01457**  
(x2) | 1 3/8"X5 1/4"X65 3/4" (36x134x1670)

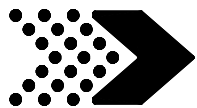


**B3** | **JOIST-A4M01443**  
(x2) | 1 3/8"X5 1/4"X54 5/8" (36x134x1387)

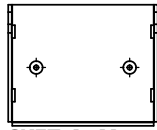


**C3** | **JOIST-A4M01446**  
(x2) | 1 3/8"X5 1/4"X54 5/8" (36x134x1387)

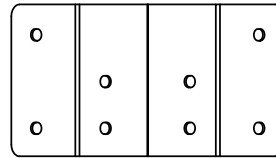




Metal Components (Not to Scale)



**G1 | BRACKET-A4M01452**  
(x8) | 1 1/4"X4 1/8"X5" (32x104x128)



**G2 | W BRACKET-A4M01453**  
(x4) | 3"X5 1/8"X9 1/8" (78x130x233)



**H1 | SPLICE BRACKET-A4M01437**  
(x4) | 1 1/4"X5 1/8"X15 3/4" (33x131x400)



**H2 | SPLICE BRACKET-A4M01438**  
(x14) | 1 1/2"X3"X15 3/4" (37x77x400)



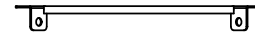
**H3 | SPLICE BRACKET-A4M01439**  
(x4) | 1 1/4"X5 1/8"X19 5/8" (33x131x500)



**H4 | SPLICE BRACKET-A4M01440**  
(x4) | 1 1/4"X5 1/8"X11" (33x130x280)

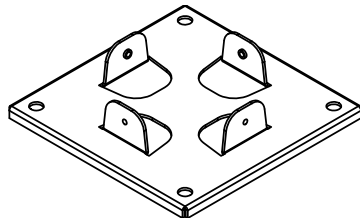


**L | ANGLED ROD-A4M01450**  
(x4) | 1 1/4"X1 1/2"X36 3/8" (33x38x924)

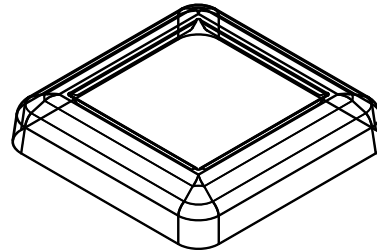


**M | ANGLED ROD-A4M01451**  
(x4) | 1 1/4"X1 1/2"X12 7/8" (33x38x327)

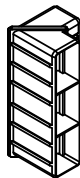
Accessory Components (Not to Scale)



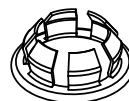
**P1 | A4M01454**  
(x4) | POST FOOT



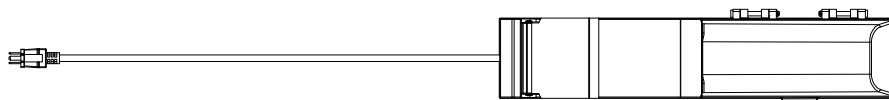
**P2 | A4M01455**  
(x4) | POST FOOT COVER



**N1 | A6P00493**  
(x4) | L PLUG

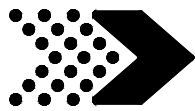


**N2 | A4M01352**  
(x20) | HOLE COVER

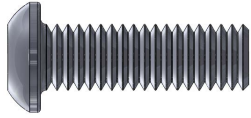


**9205413 | ELECTRICAL ENCLOSURE**  
(x1)

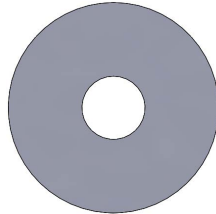
Electrical enclosure available only in North America



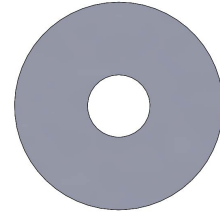
Hardware Components



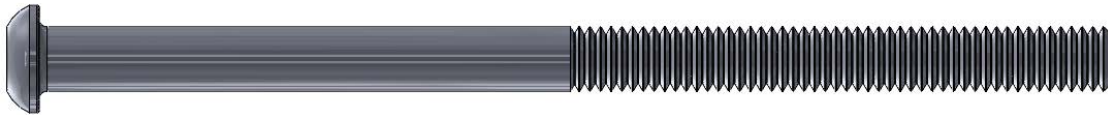
**H101040 | HEX PAN HEAD**  
(396) | M6x1x20



**H101053 | STEEL WASHER**  
(424) | 6x20



**H101054 | SEALANT WASHER**  
(424)



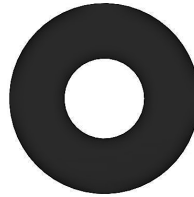
**H101042 | HEX PAN HEAD**  
(28) | M6x1x100



**H101043 | HEX SOCKET SCREW**  
(20) | M6x1x20



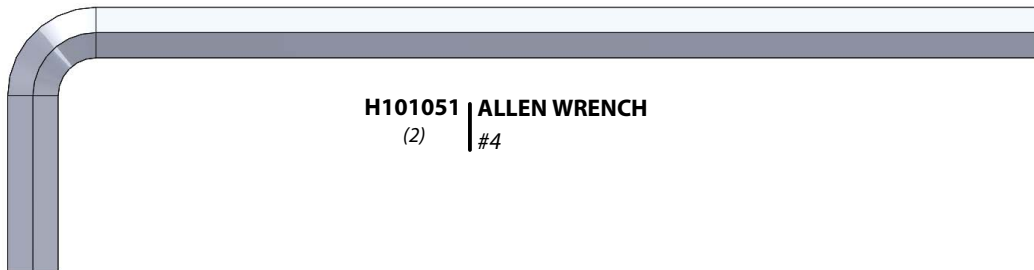
**H100120 | CONCRETE ANCHOR**  
(16) | 1/4x2



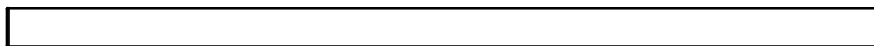
**H100630 | FLAT WASHER**  
(16) | BLK 8x19



**H101052 | ALLEN BIT**  
(2) | #4



**H101051 | ALLEN WRENCH**  
(2) | #4



**F | JOIST END-A4M01449**  
(x14) | 1 5/8"x3 1/8"x70 1/2" (41x81x1790)



**H2 | SPLICE BRACKET-A4M01438**  
(x14) | 1 1/2"x3"x15 3/4" (37x77x400)



**H101040 | HEX PAN HEAD**  
(56) | M6x1x20



**H101053 | STEEL WASHER**  
(56) | 6x20



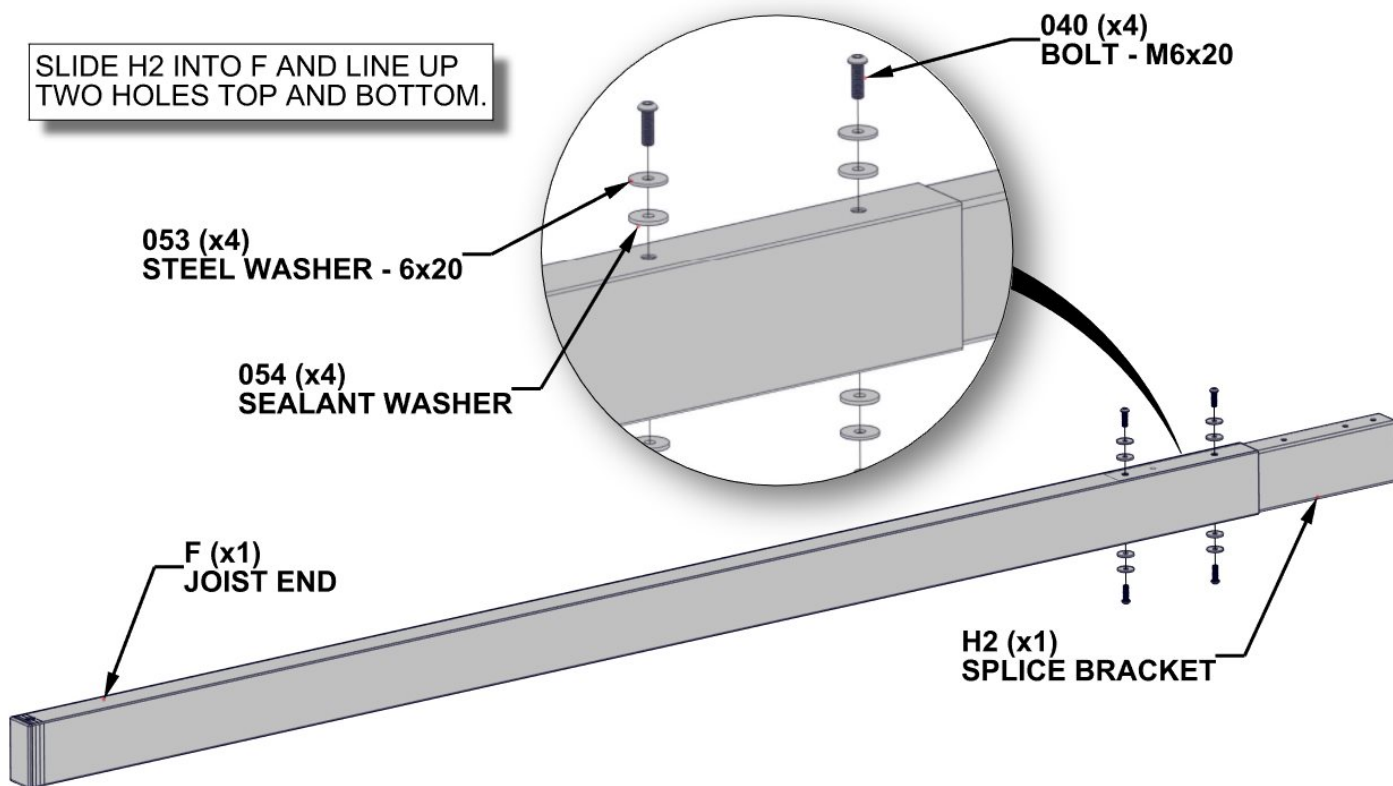
**H101054 | SEALANT WASHER**  
(56)

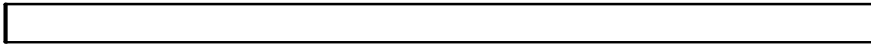
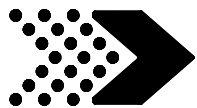
**COMPLETE THIS STEP FOURTEEN TIMES.**



**DO NOT FULLY TIGHTEN BOLTS AT THIS STEP.**

**SLIDE H2 INTO F AND LINE UP TWO HOLES TOP AND BOTTOM.**





**F | JOIST END-A4M01449**  
(x14) | 1 5/8"x3 1/8"x70 1/2" (41x81x1790)



**H101040 | HEX PAN HEAD**  
(56) | M6x1x20



**H101053 | STEEL WASHER**  
(56) | 6x20



**H101054 | SEALANT WASHER**  
(56)

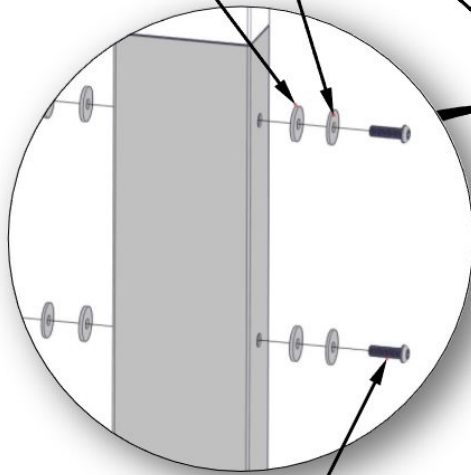
### COMPLETE THIS STEP FOURTEEN TIMES.

SLIDE F ONTO SPLICE BRACKET AND STAND UP ASSEMBLY WITH PACKAGING CARDBOARD UNDERNEATH. GENTLY TAP ASSEMBLY ON CARDBOARD UNTIL GAP CLOSES THEN TIGHTEN ALL BOLTS ON JOIST.

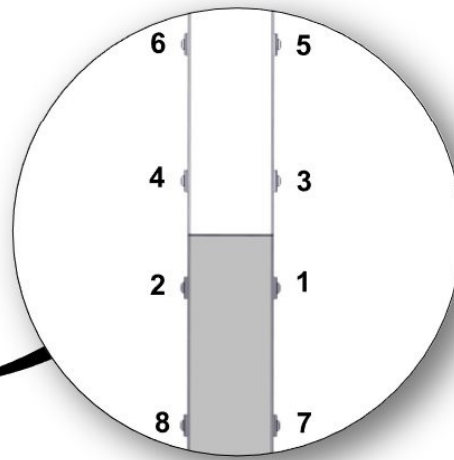
IT IS RECOMMENDED THAT BOLTS ARE FULLY TIGHTENED IN THIS ORDER.

**053 (x4)**  
**STEEL WASHER - 6x20**

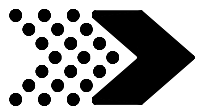
**054 (x4)**  
**SEALANT WASHER**



**040 (x4)**  
**BOLT - M6x20**



**F (x1)**  
**JOIST END**



**E2 | JOIST END-A4M01457**  
(x2) | 1 3/8"X5 1/4"X65 3/4" (36x134x1670)



**H1 | SPLICE BRACKET-A4M01437**  
(x2) | 1 1/4"X5 1/8"X15 3/4" (33x131x400)



**H101040 | HEX PAN HEAD**  
(12) | M6x1x20



**H101053 | STEEL WASHER**  
(12) | 6x20

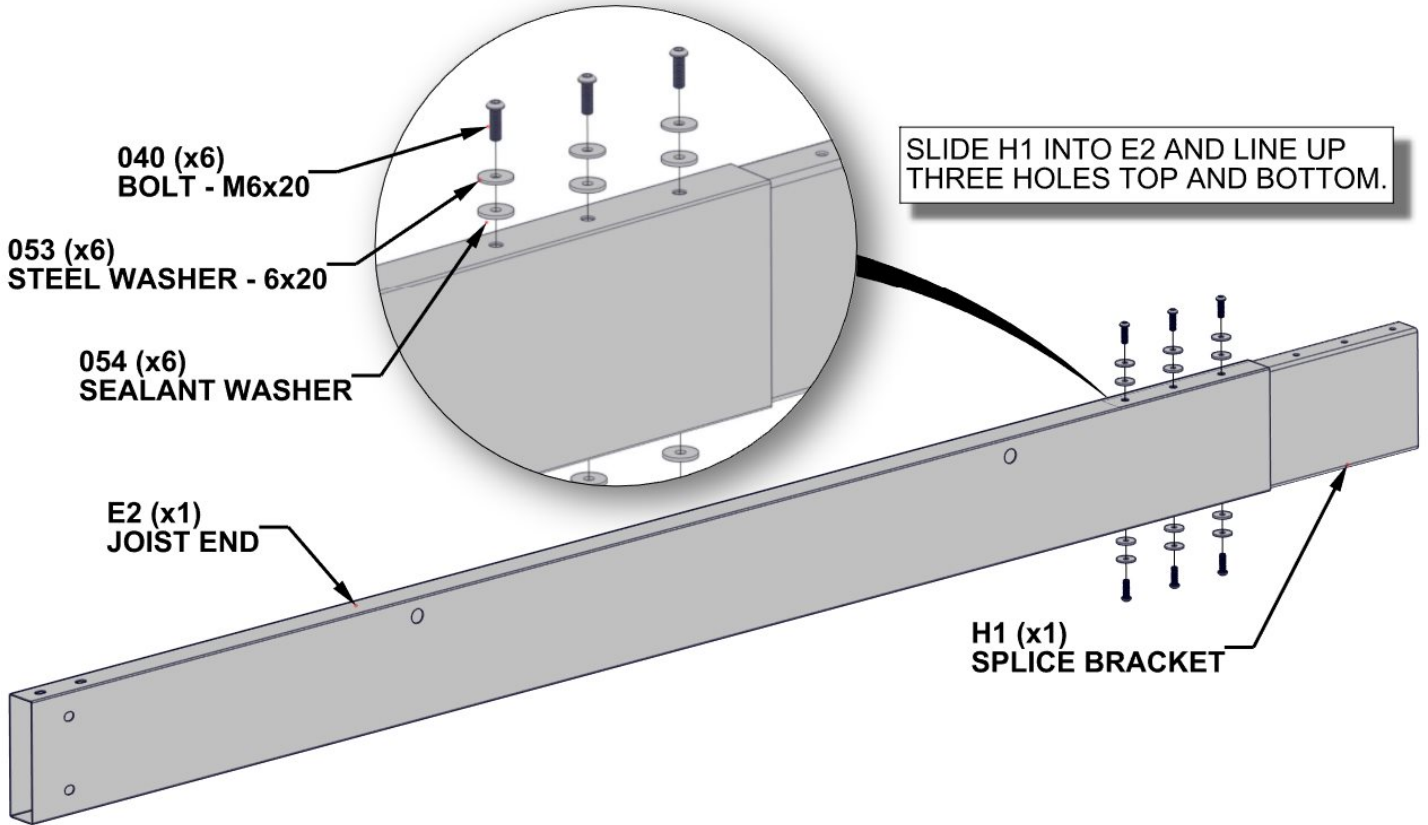


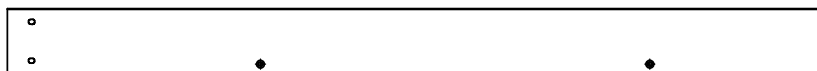
**H101054 | SEALANT WASHER**  
(12)

**COMPLETE THIS STEP TWICE.**



**DO NOT FULLY TIGHTEN BOLTS AT THIS STEP.**





**E1 | JOIST END-A4M01456**  
(x2) | 1 3/8"X5 1/4"X65 3/4" (36x134x1670)



**H101040 | HEX PAN HEAD**  
(12) | M6x1x20



**H101053 | STEEL WASHER**  
(12) | 6x20



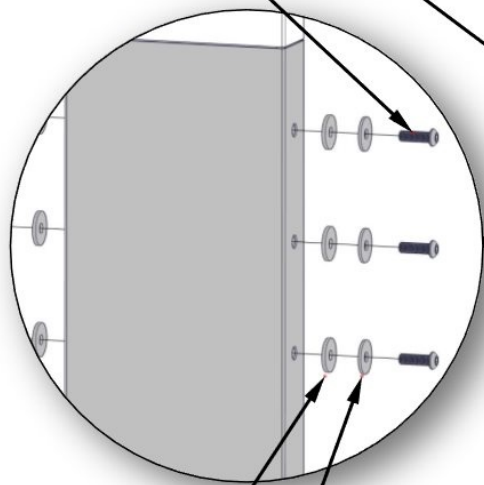
**H101054 | SEALANT WASHER**  
(12)

**COMPLETE THIS STEP TWICE.**

SLIDE E1 ONTO SPLICE BRACKET AND STAND UP ASSEMBLY WITH PACKAGING CARDBOARD UNDERNEATH. GENTLY TAP ASSEMBLY ON CARDBOARD UNTIL GAP CLOSES THEN TIGHTEN ALL BOLTS ON JOIST.

IT IS RECOMMENDED THAT BOLTS ARE FULLY TIGHTENED IN THIS ORDER.

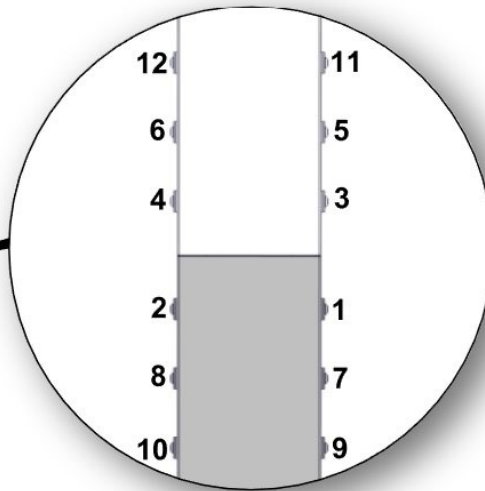
**040 (x6)  
BOLT - M6x20**



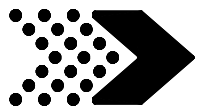
**054 (x6)  
SEALANT WASHER**

**053 (x6)  
STEEL WASHER - 6x20**

**E1 (x1)  
JOIST END**



ENSURE HOLES ARE ORIENTED TO THE SAME SIDE ON BOTH ENDS.



**D1 | JOIST END-A4M01447**  
(x2) | 1 3/8"X5 1/4"X71 7/8" (36x134x1826)



**H1 | SPLICE BRACKET-A4M01437**  
(x2) | 1 1/4"X5 1/8"X15 3/4" (33x131x400)



**H101040 | HEX PAN HEAD**  
(12) | M6x1x20



**H101053 | STEEL WASHER**  
(12) | 6x20



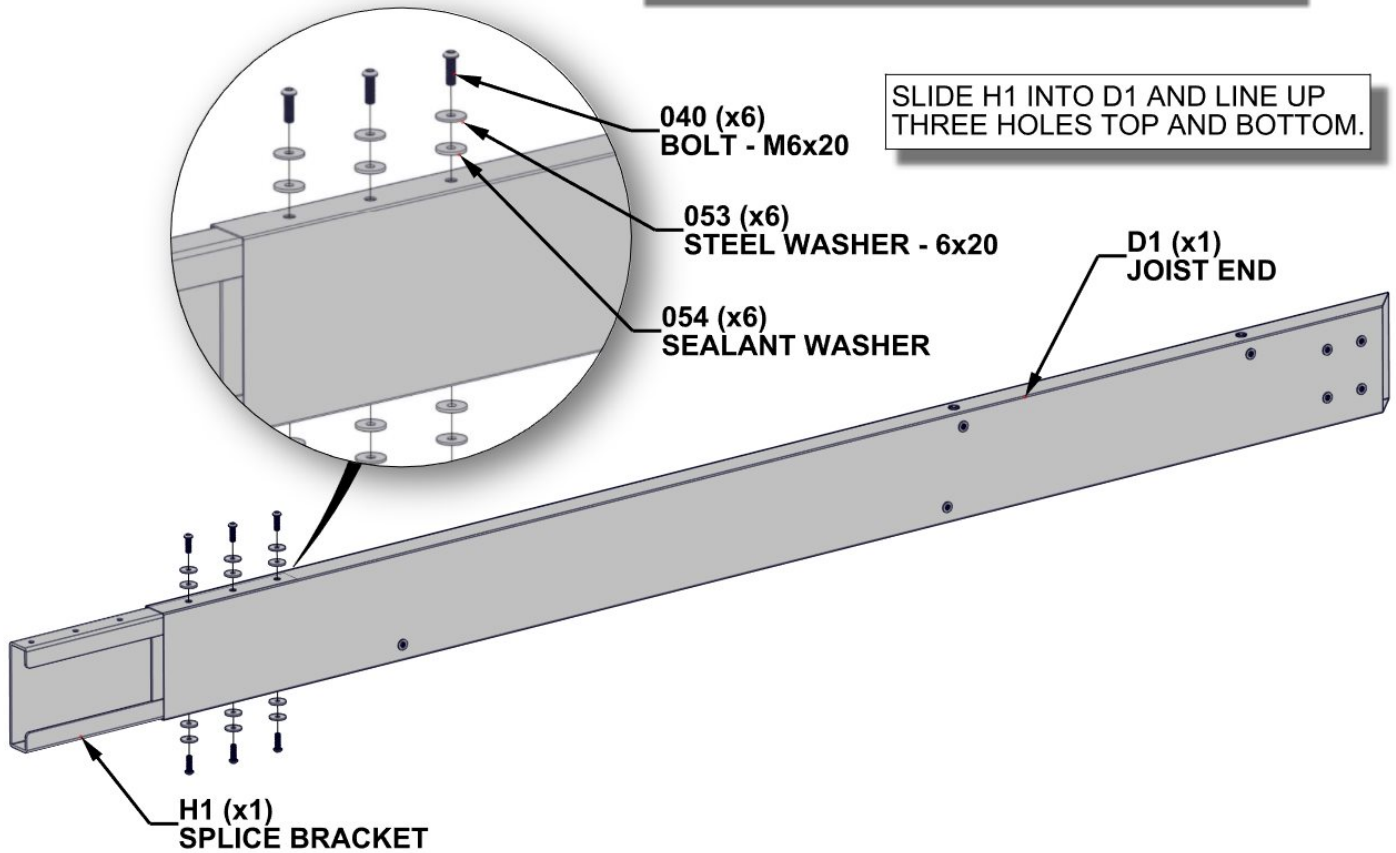
**H101054 | SEALANT WASHER**  
(12)

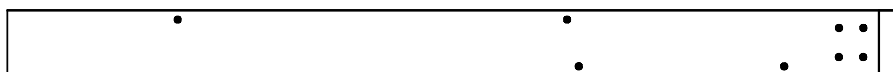
**COMPLETE THIS STEP TWICE.**



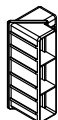
**DO NOT FULLY TIGHTEN BOLTS AT THIS STEP.**

**SLIDE H1 INTO D1 AND LINE UP THREE HOLES TOP AND BOTTOM.**





**D2 | JOIST END-A4M01448**  
(x2) | 1 3/8"X5 1/4"X7 1/8" (36x134x1826)



**N1 | A6P00493**  
(x4) | L PLUG



**H101040 | HEX PAN HEAD**  
(12) | M6x1x20



**H101053 | STEEL WASHER**  
(12) | 6x20



**H101054 | SEALANT WASHER**  
(12)

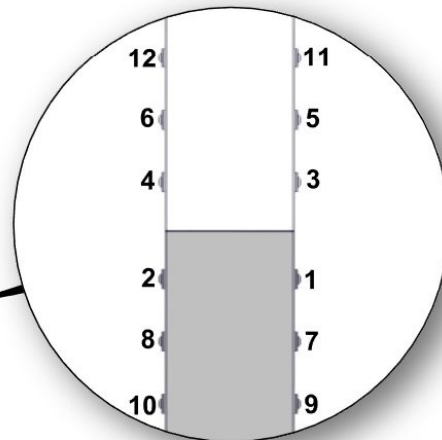
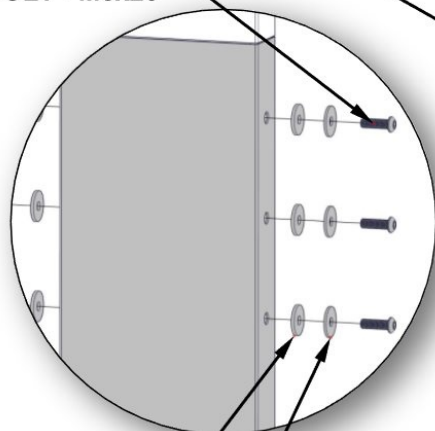
**COMPLETE THIS STEP TWICE.**



SLIDE D2 ONTO SPLICE BRACKET AND STAND UP ASSEMBLY WITH PACKAGING CARDBOARD UNDERNEATH. GENTLY TAP ASSEMBLY ON CARDBOARD UNTIL GAP CLOSES THEN TIGHTEN ALL BOLTS ON JOIST.

IT IS RECOMMENDED THAT BOLTS ARE FULLY TIGHTENED IN THIS ORDER.

**040 (x6)  
BOLT - M6x20**

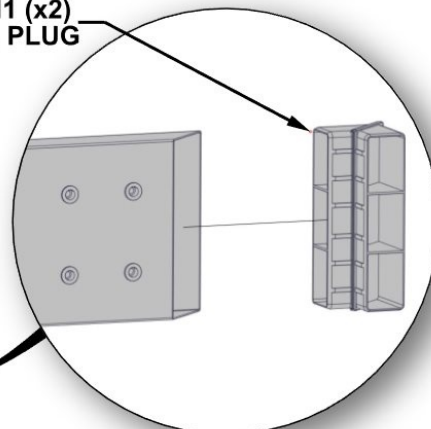


ENSURE THAT HOLES ARE ORIENTED TO THE SAME SIDE.

**054 (x6)  
SEALANT WASHER**

**053 (x6)  
STEEL WASHER - 6x20**

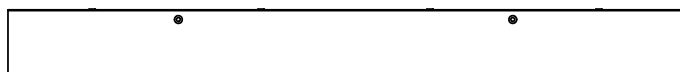
**N1 (x2)  
L PLUG**



**D2 (x1)  
JOIST END**

ONCE BOLTS ARE FULLY TIGHTENED, LAY THE ASSEMBLY BACK DOWN FLAT. USING A RUBBER MALLET, TAP AN N1 INTO EACH END AS SHOWN.





**C3 | JOIST-A4M01446**  
(x2) | 1 3/8"X5 1/4"X54 5/8" (36x134x1387)



**H4 | SPLICE BRACKET-A4M01440**  
(x4) | 1 1/4"X5 1/8"X11" (33x130x280)



**H101040 | HEX PAN HEAD**  
(16) | M6x1x20



**H101053 | STEEL WASHER**  
(16) | 6x20

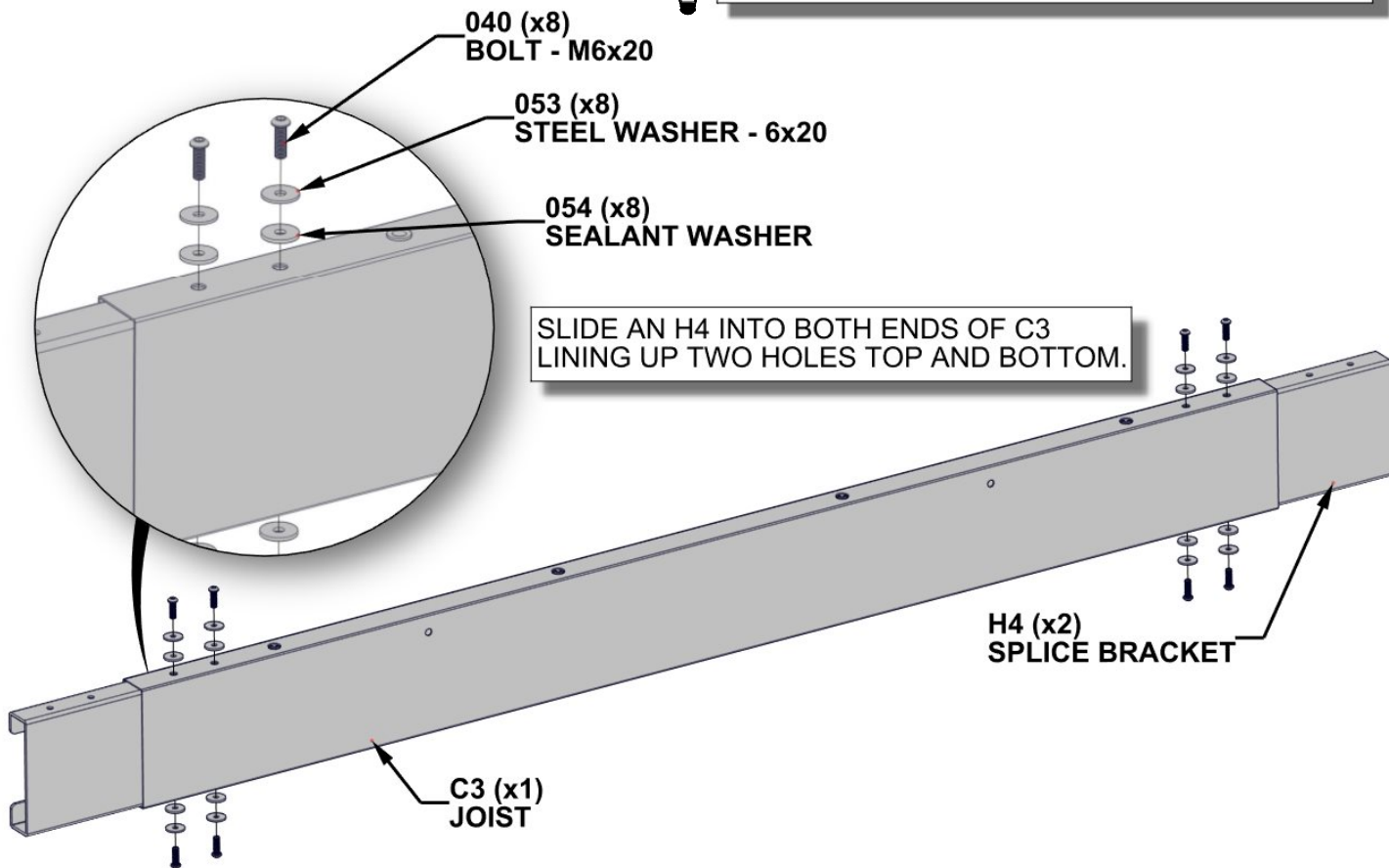


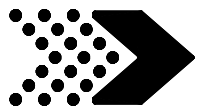
**H101054 | SEALANT WASHER**  
(16)

**COMPLETE THIS STEP TWICE.**



**DO NOT FULLY TIGHTEN BOLTS AT THIS STEP.**





**C1 | JOIST END-A4M01444**  
(x2) | 1 3/8"X5 1/4"X62 1/2" (36x134x1587)



**C2 | JOIST END-A4M01445**  
(x2) | 1 3/8"X5 1/4"X62 1/2" (36x134x1587)



**H101040 | HEX PAN HEAD**  
(16) | M6x1x20

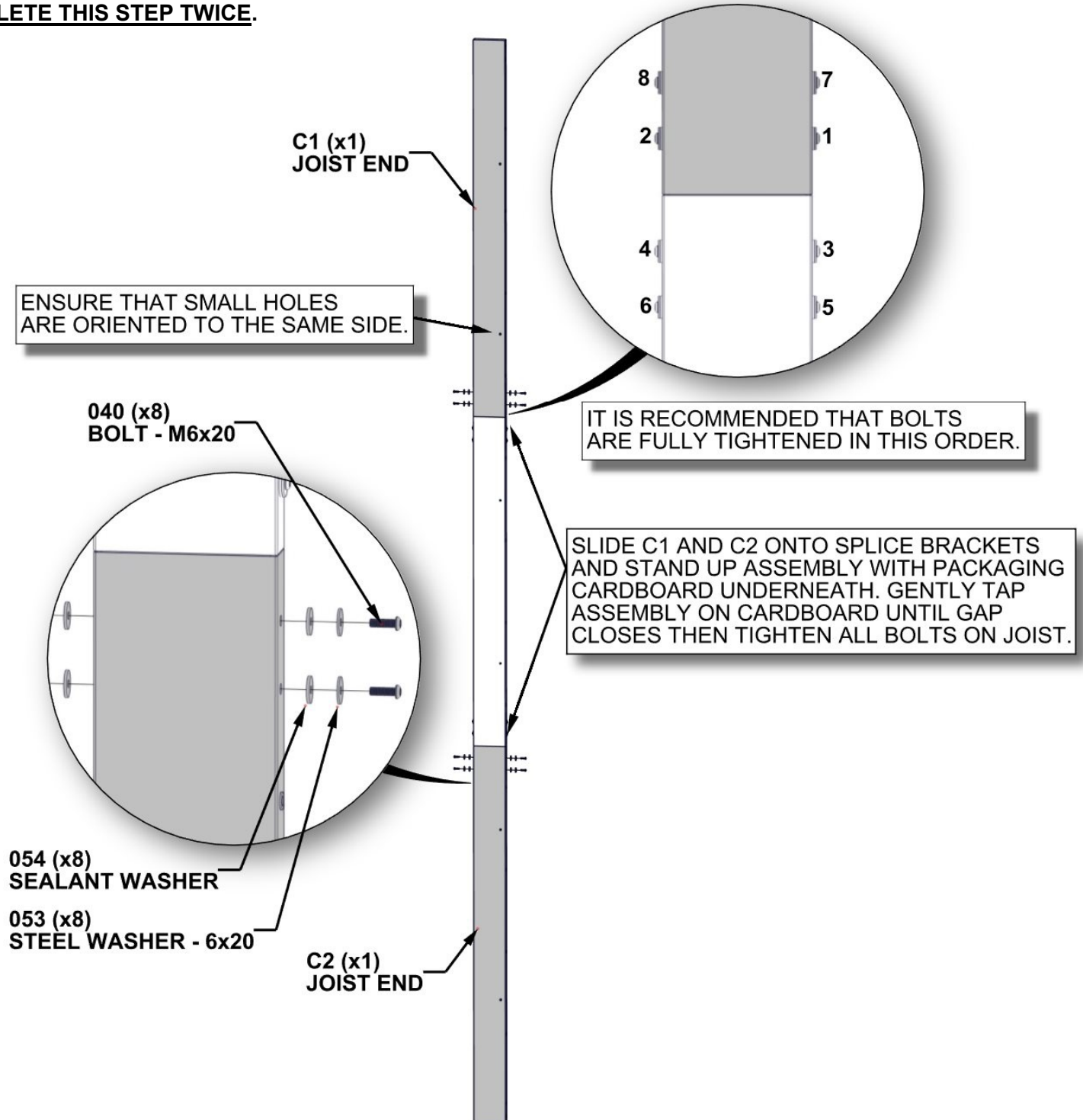


**H101053 | STEEL WASHER**  
(16) | 6x20



**H101054 | SEALANT WASHER**  
(16)

### COMPLETE THIS STEP TWICE.





**B3 | JOIST-A4M01443**  
(x2) | 1 3/8"X5 1/4"X54 5/8" (36x134x1387)



**H3 | SPLICE BRACKET-A4M01439**  
(x4) | 1 1/4"X5 1/8"X19 5/8" (33x131x500)



**H101040 | HEX PAN HEAD**  
(24) | M6x1x20



**H101053 | STEEL WASHER**  
(24) | 6x20



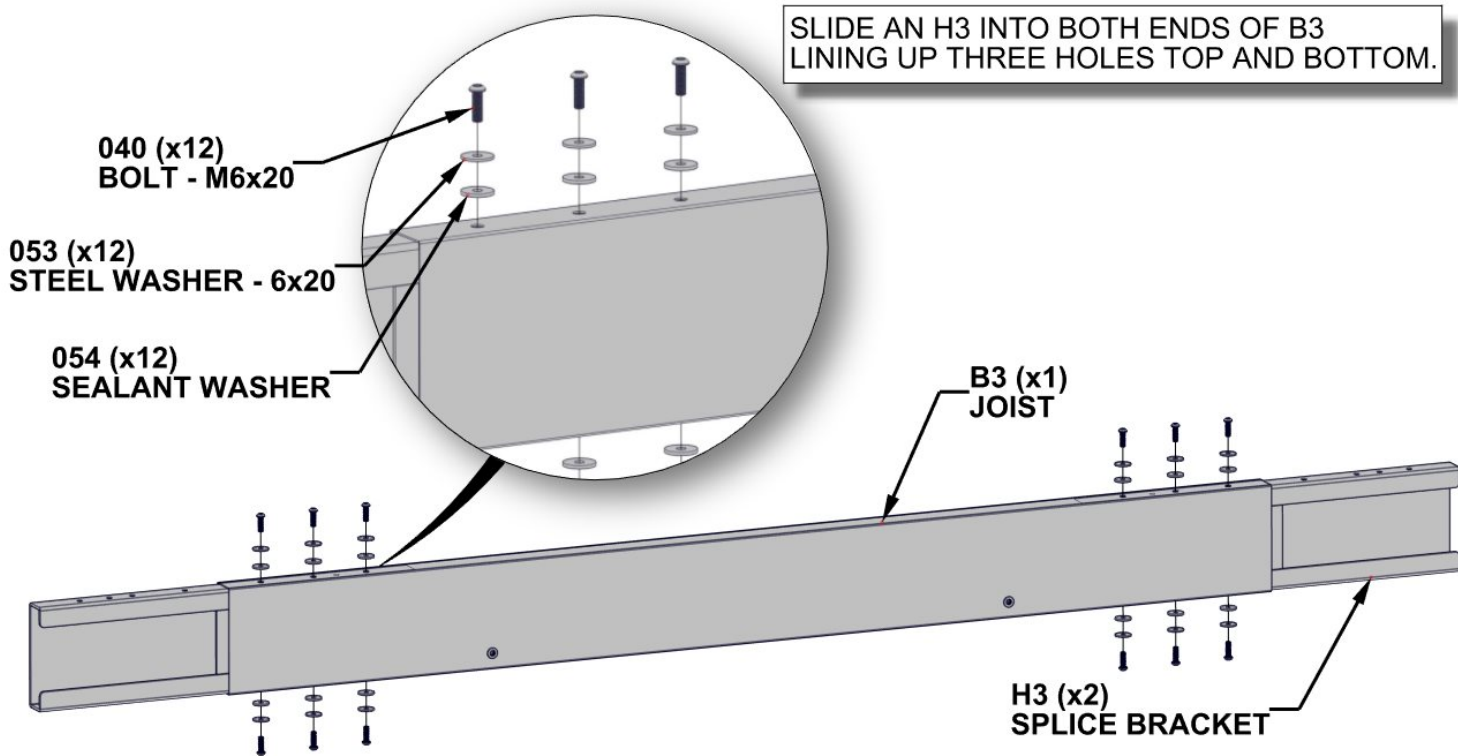
**H101054 | SEALANT WASHER**  
(24)

**COMPLETE THIS STEP TWICE.**



**DO NOT FULLY TIGHTEN BOLTS AT THIS STEP.**

**SLIDE AN H3 INTO BOTH ENDS OF B3  
LINING UP THREE HOLES TOP AND BOTTOM.**





**B1 | JOIST END-A4M01441**  
(x2) | 1 3/8"X5 1/4"X68 5/8" (36x134x1743)



**B2 | JOIST END-A4M01442**  
(x2) | 1 3/8"X5 1/4"X68 5/8" (36x134x1743)



**H101040 | HEX PAN HEAD**  
(24) | M6x1x20

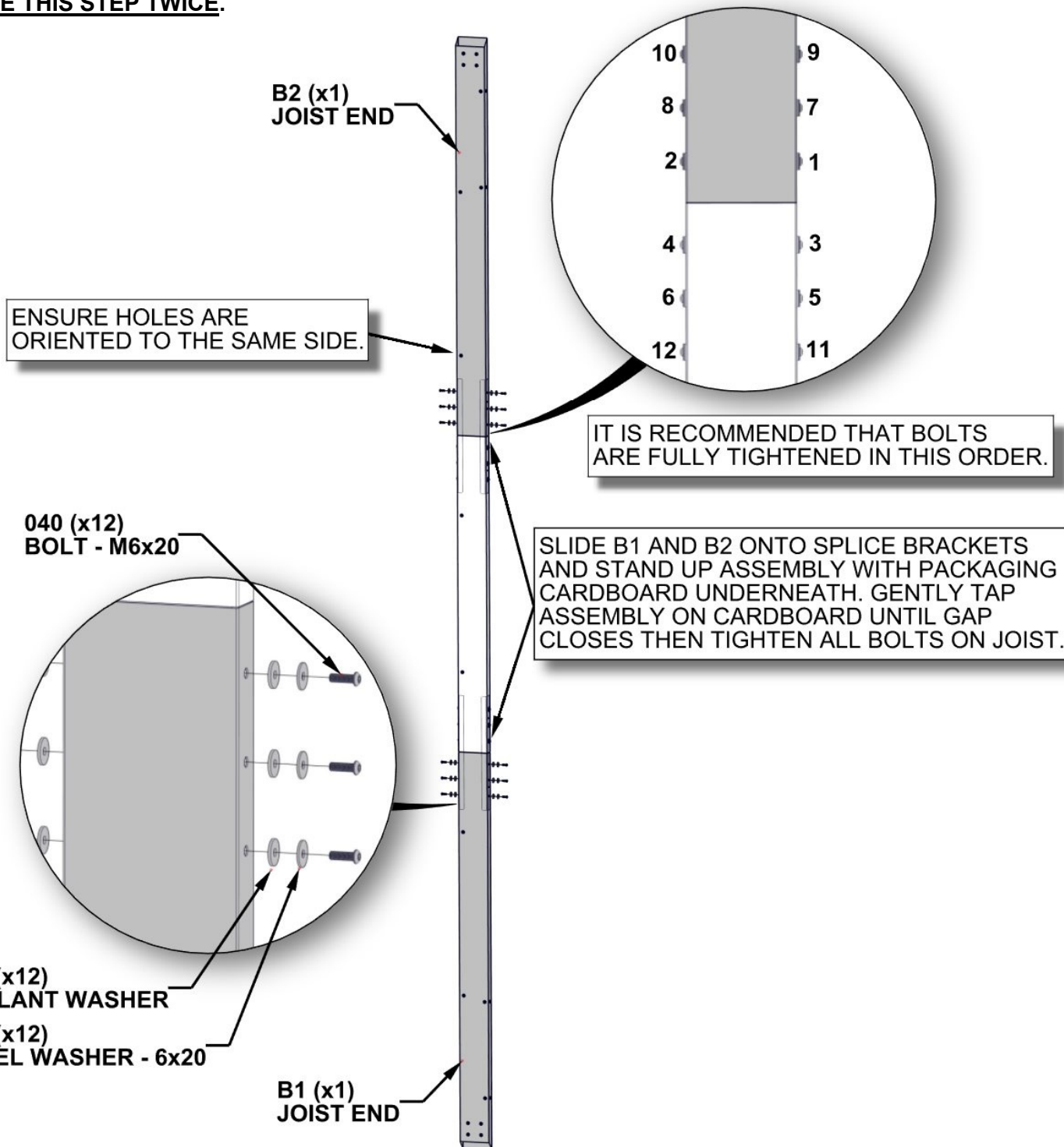


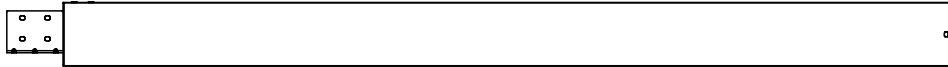
**H101053 | STEEL WASHER**  
(24) | 6x20



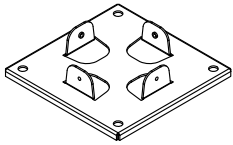
**H101054 | SEALANT WASHER**  
(24)

## COMPLETE THIS STEP TWICE.

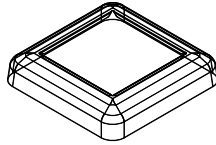




**A** | **POST-A4M01436**  
(x4) | 6"X6"X89" (152x152x2261)



**P1** | **A4M01454**  
(x4) | **POST FOOT**



**P2** | **A4M01455**  
(x4) | **POST FOOT COVER**



**H101040** | **HEX PAN HEAD**  
(16) | **M6x1x20**



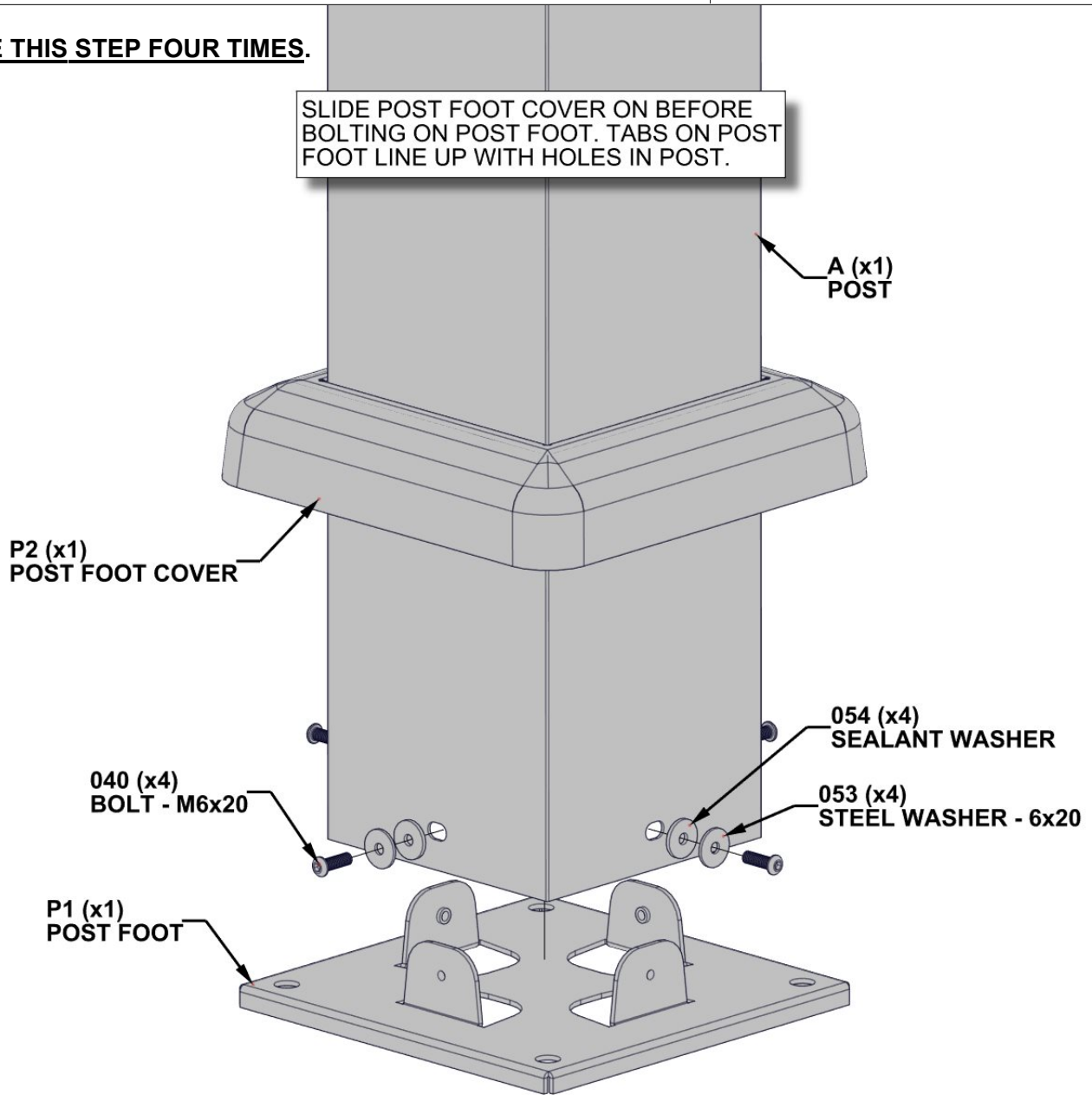
**H101053** | **STEEL WASHER**  
(16) | **6x20**

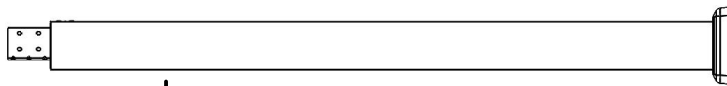
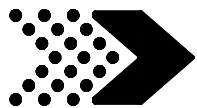


**H101054** | **SEALANT WASHER**  
(16)

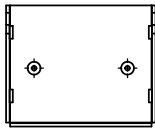
## COMPLETE THIS STEP FOUR TIMES.

SLIDE POST FOOT COVER ON BEFORE BOLTING ON POST FOOT. TABS ON POST FOOT LINE UP WITH HOLES IN POST.





(4) POST ASSEMBLY - FROM STEP 11



**G1** BRACKET-A4M01452  
(x8) | 1 1/4"X4 1/8"X5" (32x104x128)



**H101040** HEX PAN HEAD  
(16) | M6x1x20



**H101053** STEEL WASHER  
(16) | 6x20



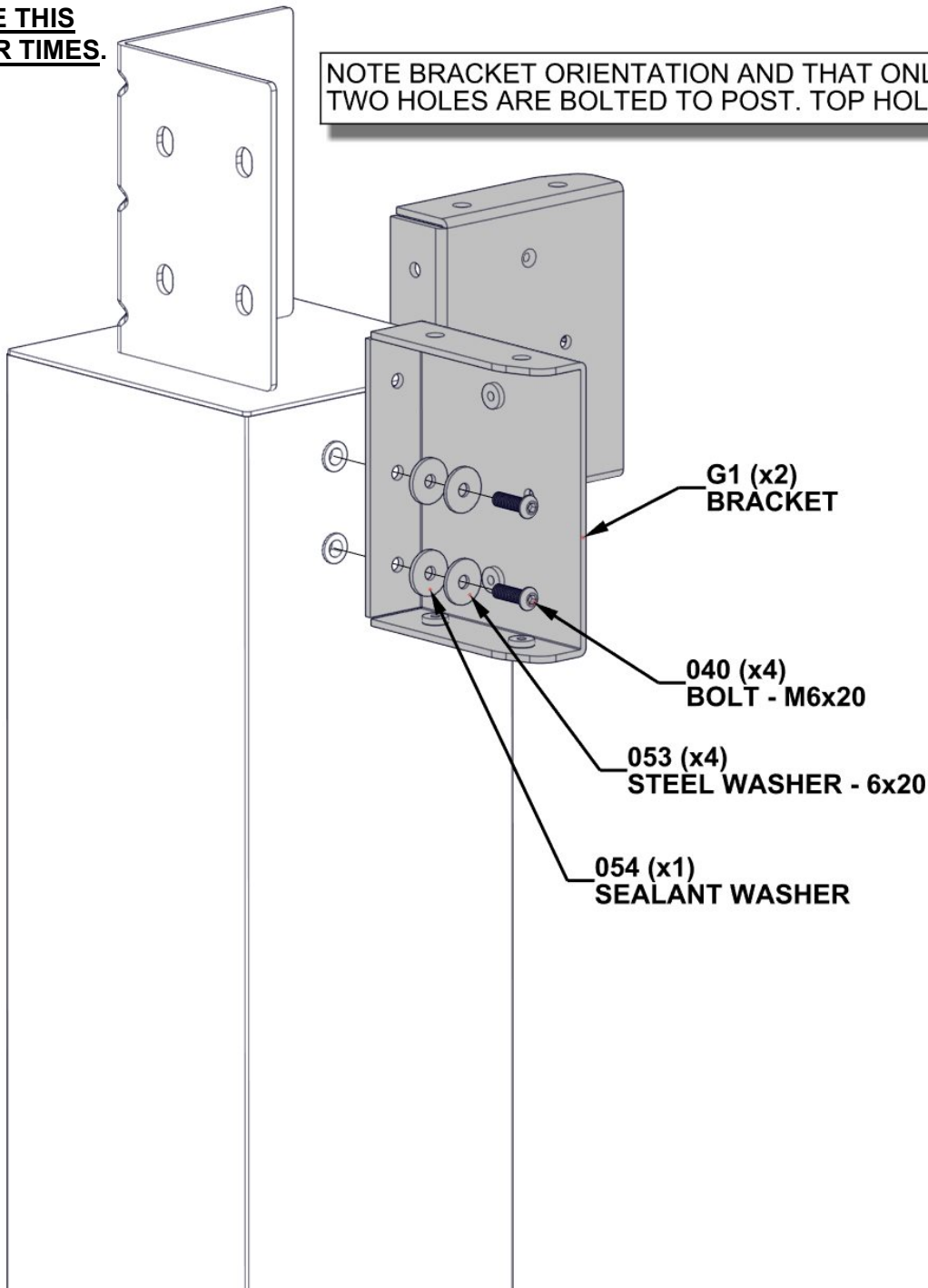
**H101054** SEALANT WASHER  
(16)

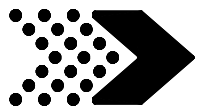


**CORRECT ORIENTATION AND ATTACHMENT IS CRITICAL FOR LATER STEPS.**

**COMPLETE THIS STEP FOUR TIMES.**

**NOTE BRACKET ORIENTATION AND THAT ONLY BOTTOM TWO HOLES ARE BOLTED TO POST. TOP HOLE IS LEFT OPEN.**





(2) INNER END JOIST ASSEMBLY - FROM STEPS 3 & 4



**H101040** | **HEX PAN HEAD**  
(16) | M6x1x20



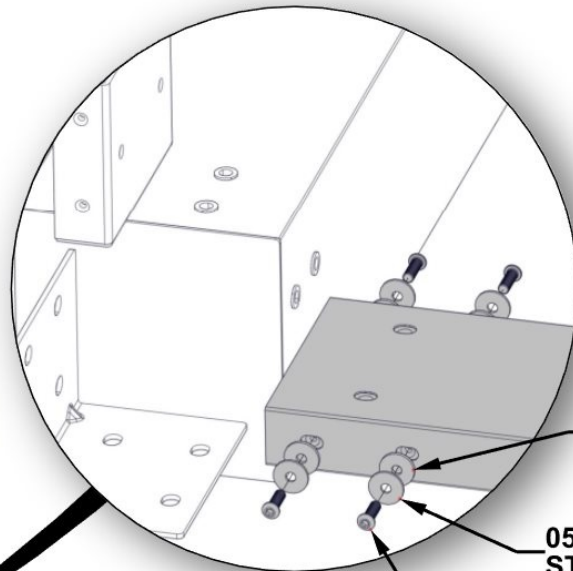
**H101053** | **STEEL WASHER**  
(16) | 6x20



**H101054** | **SEALANT WASHER**  
(16)

**COMPLETE THIS STEP TWICE.**

**DO NOT FULLY TIGHTEN BOLTS AT THIS STEP.**



**054 (x8)**  
**SEALANT WASHER**

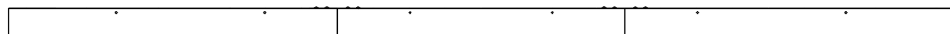
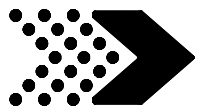
**053 (x8)**  
**STEEL WASHER - 6x20**

**040 (x8)**  
**BOLT - M6x20**

**INNER END JOIST ASSEMBLY (x1)**



**ENSURE CORRECT HOLE ORIENTATION WITH HOLES UP AND LARGER HOLES ON JOIST FACING IN.**



(2) INNER SIDE JOIST ASSEMBLY - FROM STEPS 7 & 8



H101040 | HEX PAN HEAD  
(12) | M6x1x20



H101053 | STEEL WASHER  
(12) | 6x20

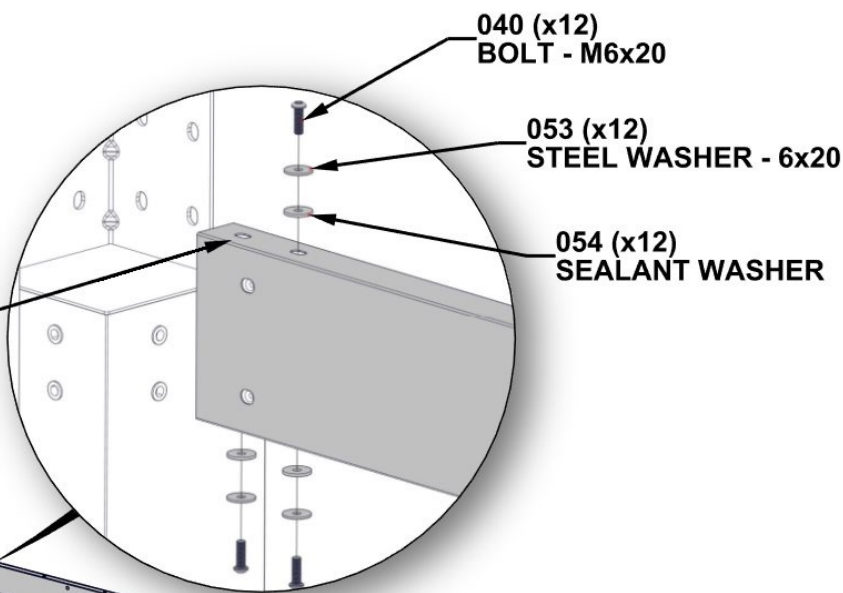


H101054 | SEALANT WASHER  
(12)

STAND UP ASSEMBLIES FROM PREVIOUS STEP. SLIDE JOIST ASSEMBLIES ONTO BRACKETS AND BOLT THEM ON. NOTE ORIENTATION AND BOLT PLACEMENT.



LEAVE BOLT HOLE OPEN.

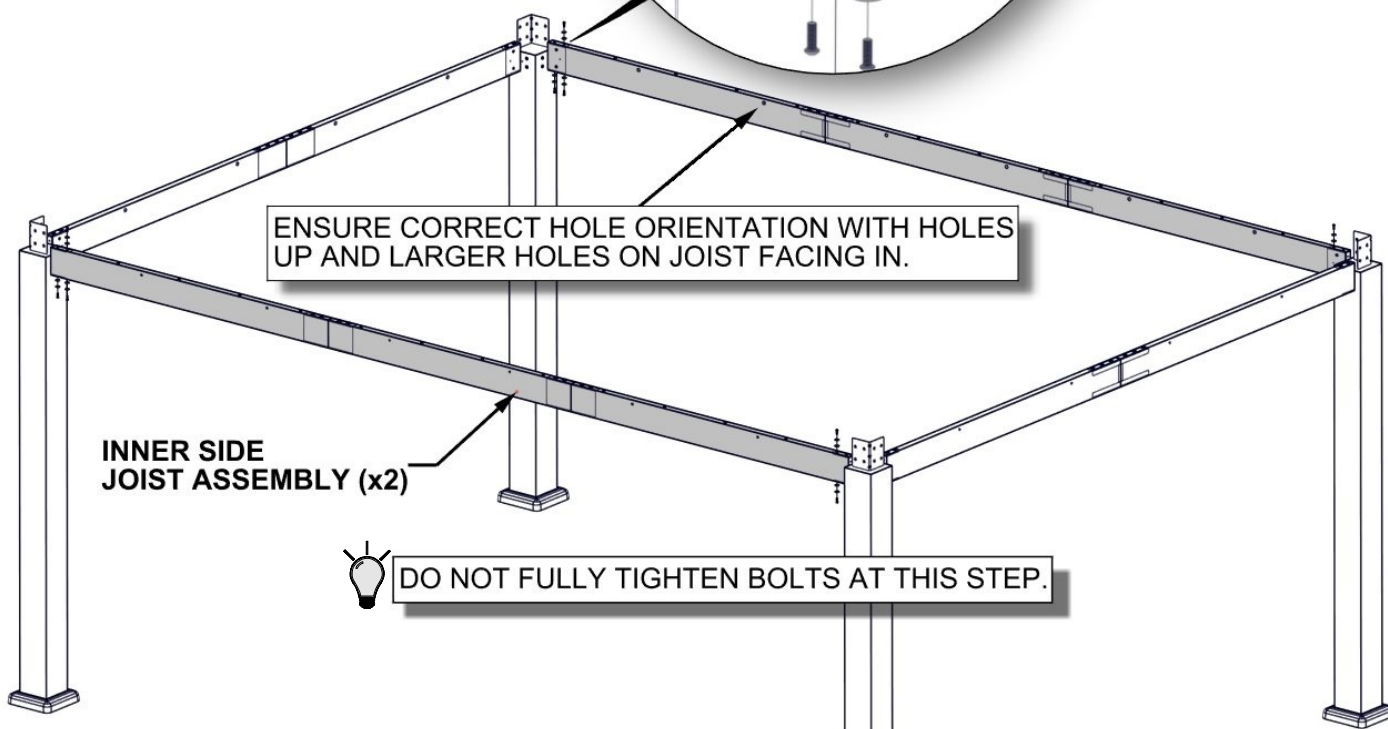


ENSURE CORRECT HOLE ORIENTATION WITH HOLES UP AND LARGER HOLES ON JOIST FACING IN.

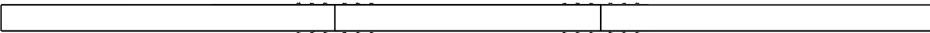
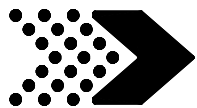
INNER SIDE JOIST ASSEMBLY (x2)



DO NOT FULLY TIGHTEN BOLTS AT THIS STEP.







(2) OUTER SIDE JOIST ASSEMBLY - FROM STEPS 9 & 10



**H101040 | HEX PAN HEAD**  
(16) | M6x1x20



**H101053 | STEEL WASHER**  
(16) | 6x20



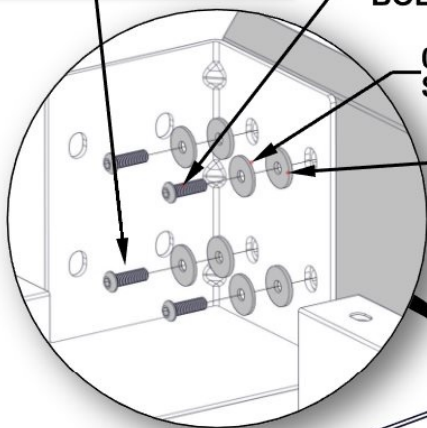
**H101043 | HEX SOCKET SCREW**  
(12) | M6x1x20



**H101054 | SEALANT WASHER**  
(16)



HAND TIGHTEN BOTTOM BOLTS WITH WRENCH.



**040 (x16)  
BOLT - M6x20**

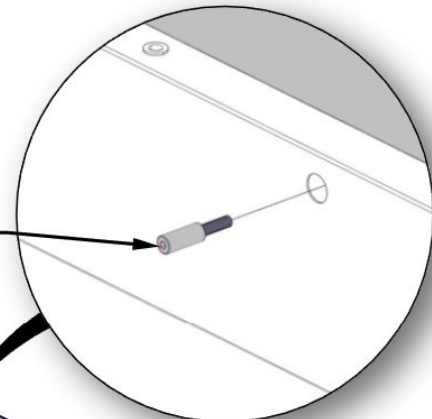
**053 (x16)  
STEEL WASHER - 6x20**

**054 (x16)  
SEALANT WASHER**

WHEN INSERTING 043 BOLTS USE THE ALLEN WRENCH TO GET THEM STARTED. THIS WILL REDUCE THE POTENTIAL OF DROPPING A BOLT INTO THE CHANNEL.



**043 (x12)  
BOLT - M6x20**



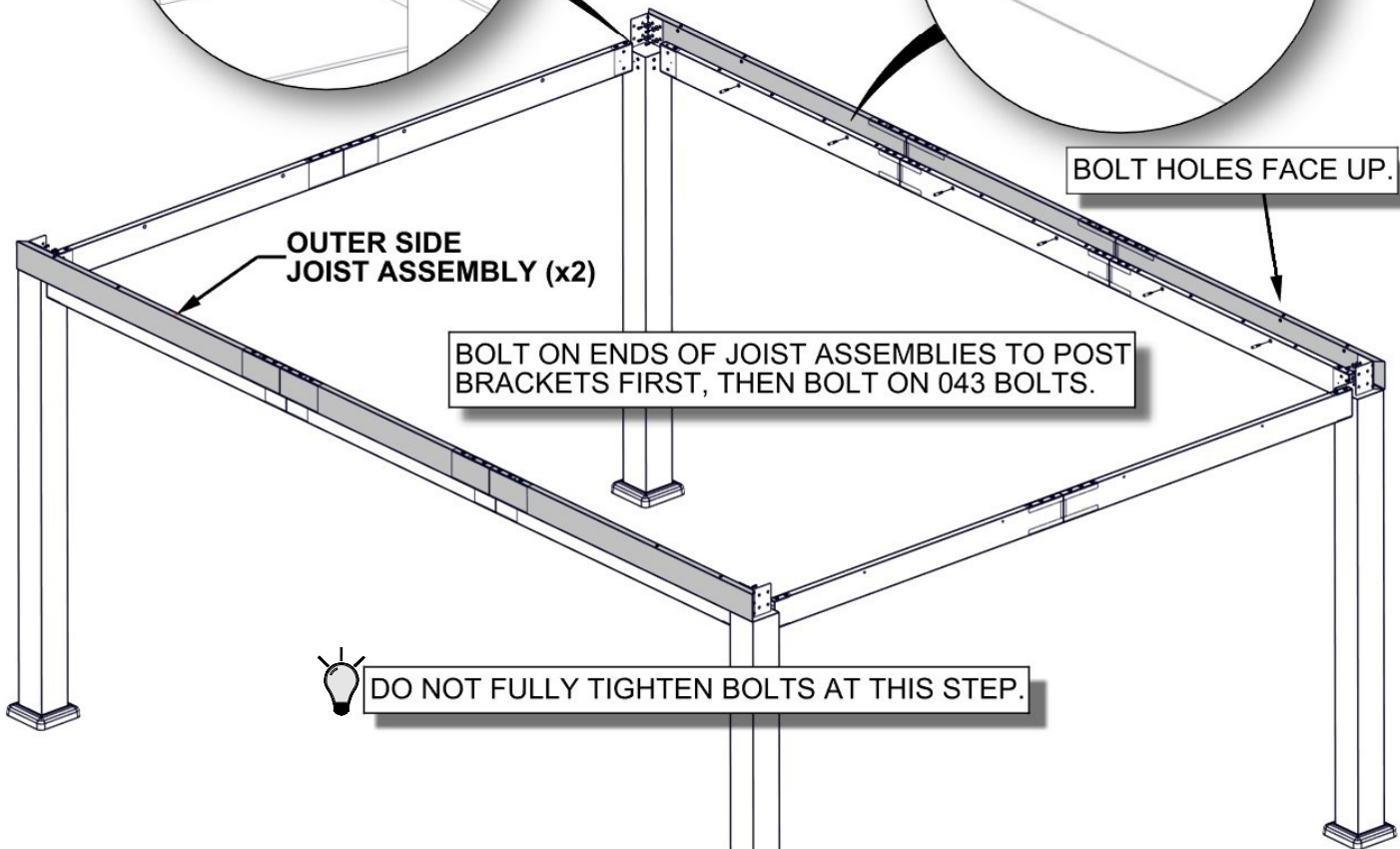
BOLT HOLES FACE UP.

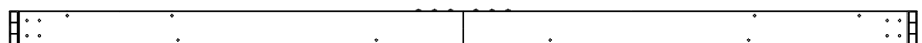
OUTER SIDE JOIST ASSEMBLY (x2)

BOLT ON ENDS OF JOIST ASSEMBLIES TO POST BRACKETS FIRST, THEN BOLT ON 043 BOLTS.



DO NOT FULLY TIGHTEN BOLTS AT THIS STEP.





(2) OUTER END JOIST ASSEMBLY - FROM STEPS 5 & 6



H101040 | HEX PAN HEAD  
(16) | M6x1x20



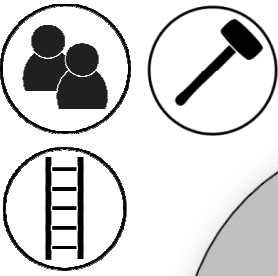
H101053 | STEEL WASHER  
(16) | 6x20



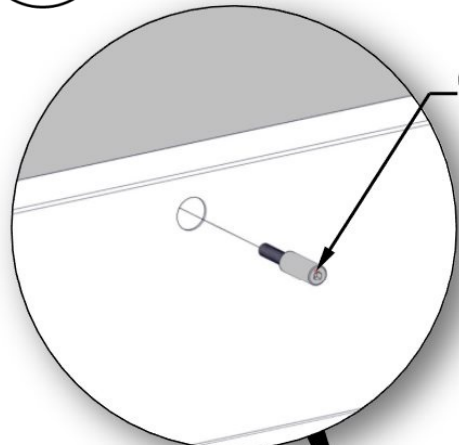
H101043 | HEX SOCKET SCREW  
(8) | M6x1x20



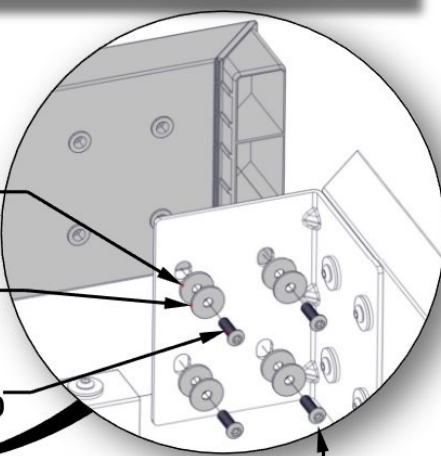
H101054 | SEALANT WASHER  
(16)



WHEN INSERTING 043 BOLTS USE THE ALLEN WRENCH TO GET THEM STARTED. THIS WILL REDUCE THE POTENTIAL OF DROPPING A BOLT INTO THE CHANNEL.



043 (x8)  
BOLT - M6x20



054 (x16)  
SEALANT WASHER

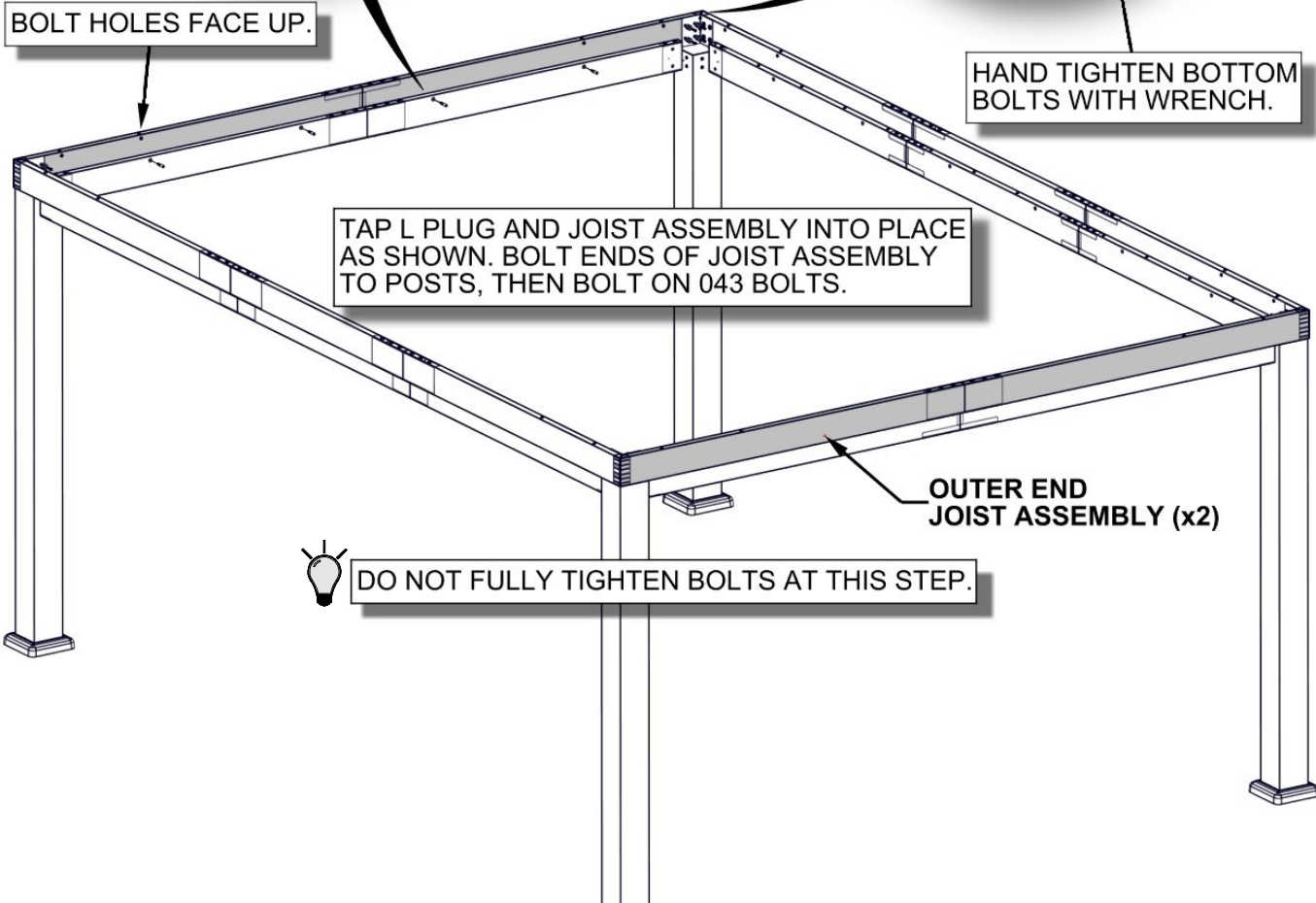
053 (x16)  
STEEL WASHER - 6x20

040 (x16)  
BOLT - M6x20

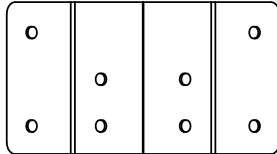
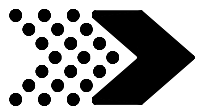
BOLT HOLES FACE UP.

HAND TIGHTEN BOTTOM BOLTS WITH WRENCH.

TAP L PLUG AND JOIST ASSEMBLY INTO PLACE AS SHOWN. BOLT ENDS OF JOIST ASSEMBLY TO POSTS, THEN BOLT ON 043 BOLTS.



DO NOT FULLY TIGHTEN BOLTS AT THIS STEP.



**G2 | W BRACKET-A4M01453**  
(x4) | 3"X5 1/8"X9 1/8" (78x130x233)



**H101040 | HEX PAN HEAD**  
(32) | M6x1x20



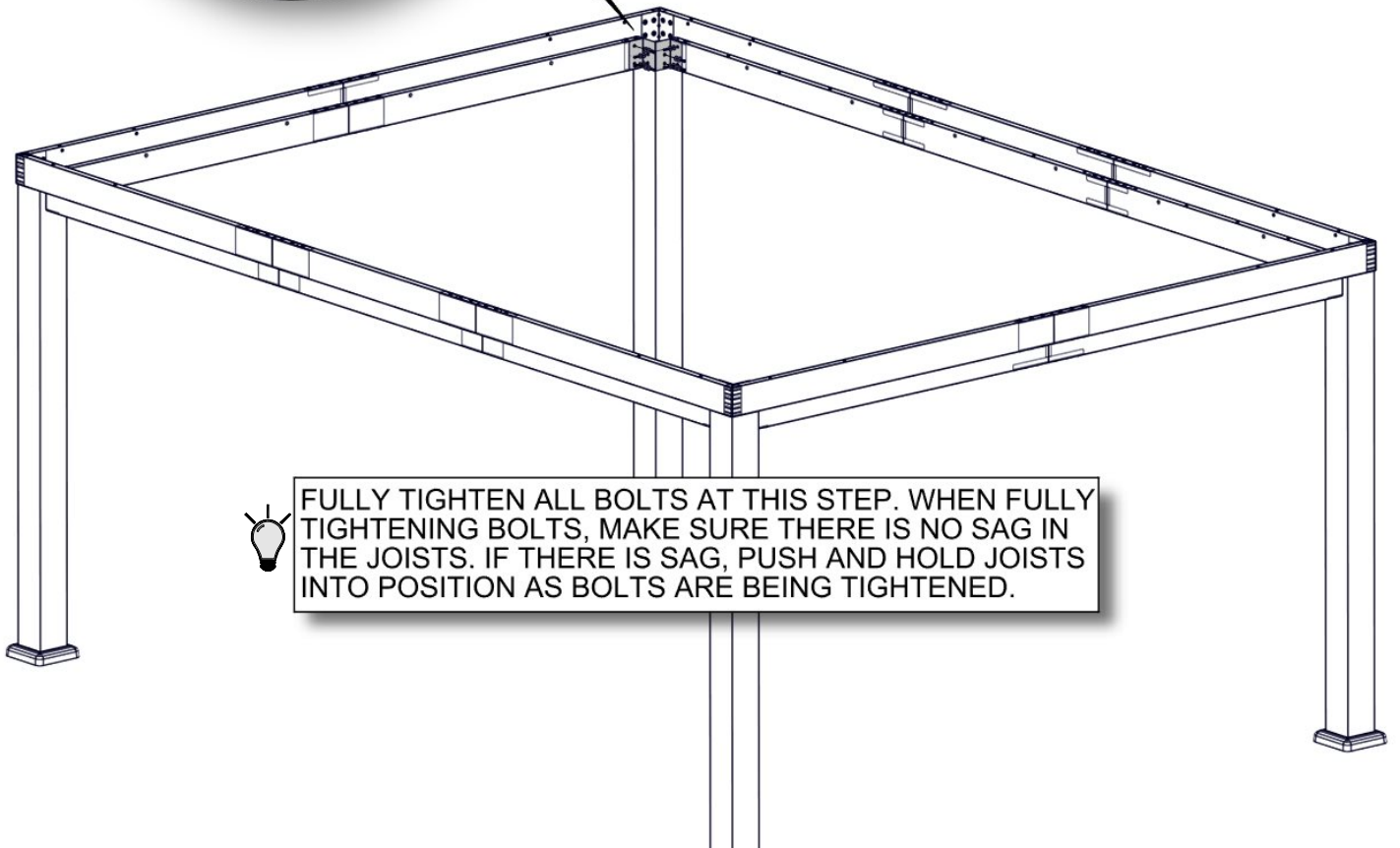
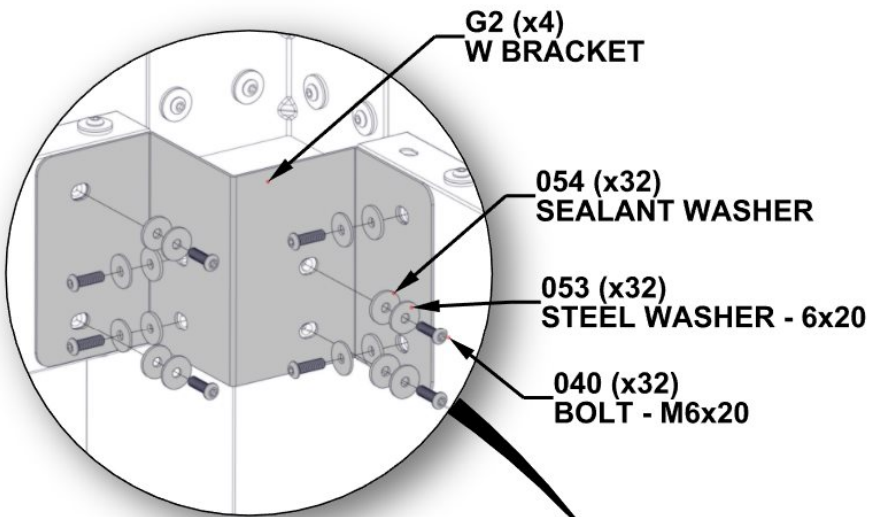
**H101053 | STEEL WASHER**  
(32) | 6x20



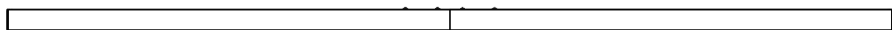
**H101054 | SEALANT WASHER**  
(32)



**ATTACH AND FULLY TIGHTEN W BRACKET FIRST.**



 **FULLY TIGHTEN ALL BOLTS AT THIS STEP. WHEN FULLY TIGHTENING BOLTS, MAKE SURE THERE IS NO SAG IN THE JOISTS. IF THERE IS SAG, PUSH AND HOLD JOISTS INTO POSITION AS BOLTS ARE BEING TIGHTENED.**



(14) JOIST ASSEMBLY - FROM STEPS 1 & 2



H101042 | HEX PAN HEAD  
(28) | M6x1x100



H101053 | STEEL WASHER  
(28) | 6x20



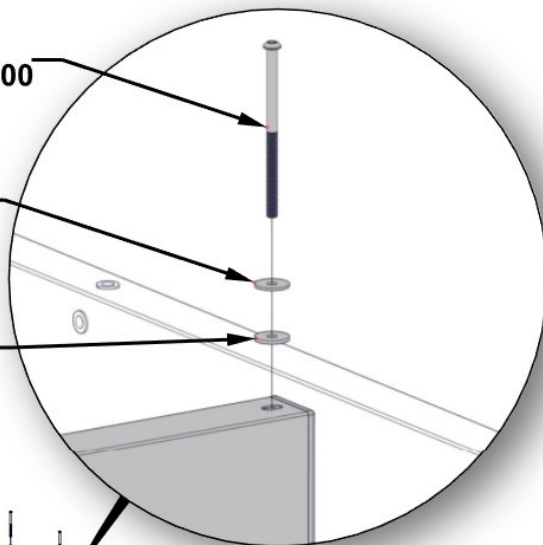
H101054 | SEALANT WASHER  
(28)



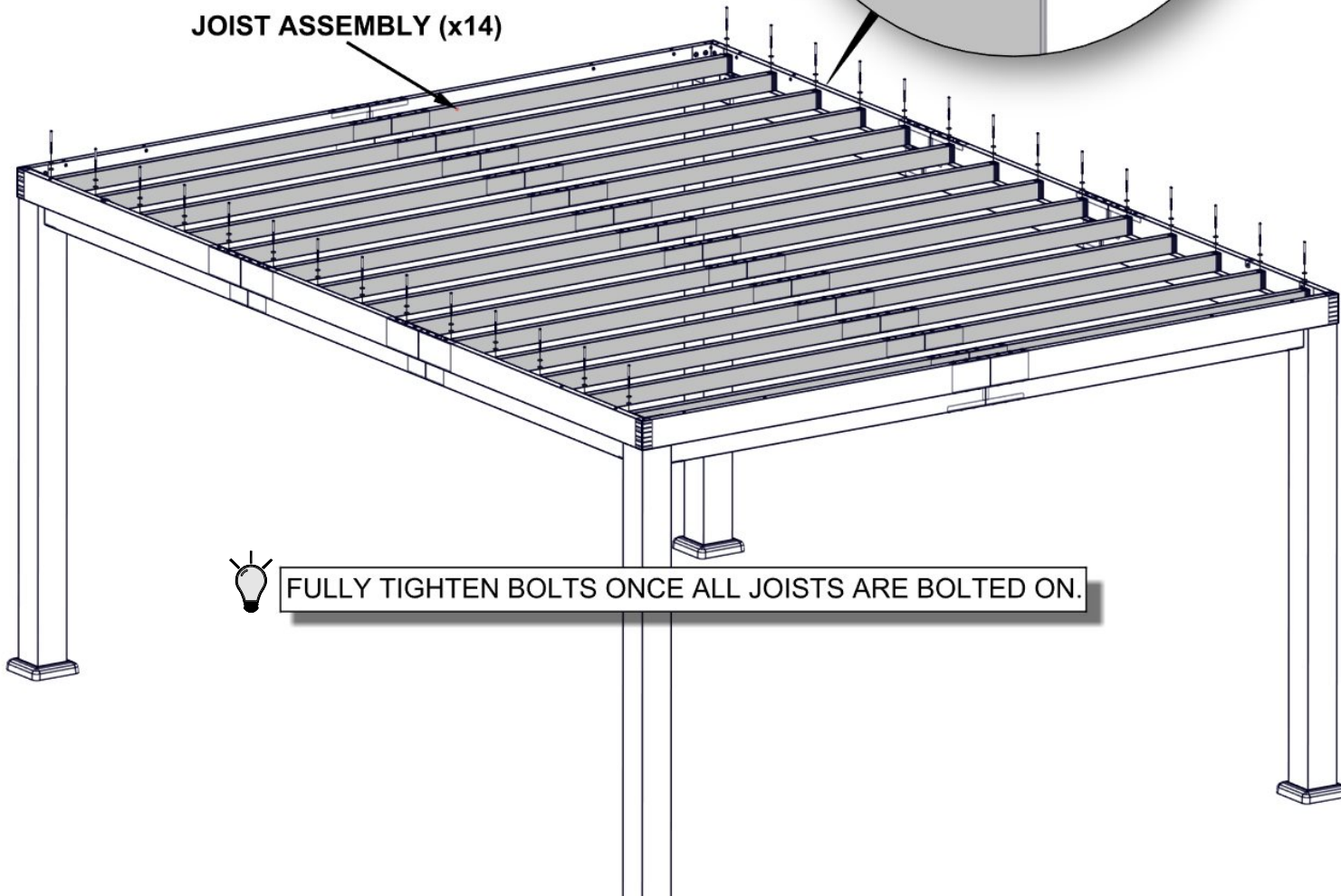
042 (x28)  
BOLT - M6x100

053 (x28)  
STEEL WASHER - 6x20

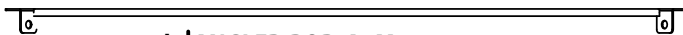
054 (x28)  
SEALANT WASHER



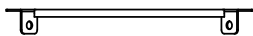
JOIST ASSEMBLY (x14)



FULLY TIGHTEN BOLTS ONCE ALL JOISTS ARE BOLTED ON.



**L** | ANGLED ROD-A4M01450  
(x4) | 1 1/4"X1 1/2"X36 3/8" (33x38x924)



**M** | ANGLED ROD-A4M01451  
(x4) | 1 1/4"X1 1/2"X12 7/8" (33x38x327)



**H101040** | HEX PAN HEAD  
(32) | M6x1x20



**H101053** | STEEL WASHER  
(32) | 6x20



**H101054** | SEALANT WASHER  
(32)

### COMPLETE THIS STEP FOUR TIMES.

TO GET ANGLED RODS TO LINE UP DIAGONAL MEASUREMENTS MAY NEED TO BE TAKEN FROM POST TO POST. ADJUSTMENTS TO SQUARE UP ASSEMBLY MAY NEED TO BE MADE.



**040 (x8)**  
BOLT - M6x20

**053 (x8)**  
STEEL WASHER - 6x20

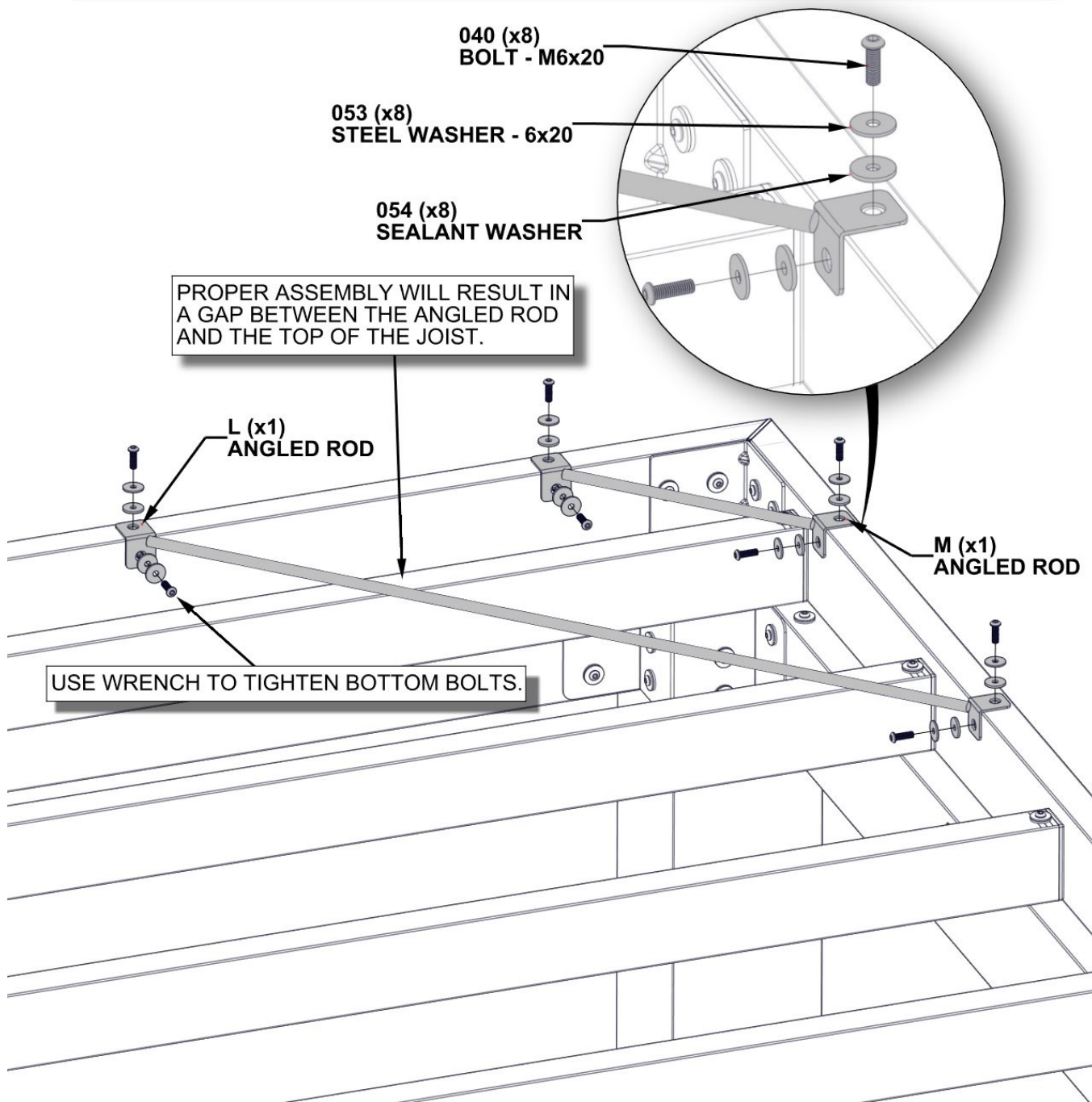
**054 (x8)**  
SEALANT WASHER

PROPER ASSEMBLY WILL RESULT IN A GAP BETWEEN THE ANGLED ROD AND THE TOP OF THE JOIST.

**L (x1)**  
ANGLED ROD

**M (x1)**  
ANGLED ROD

USE WRENCH TO TIGHTEN BOTTOM BOLTS.





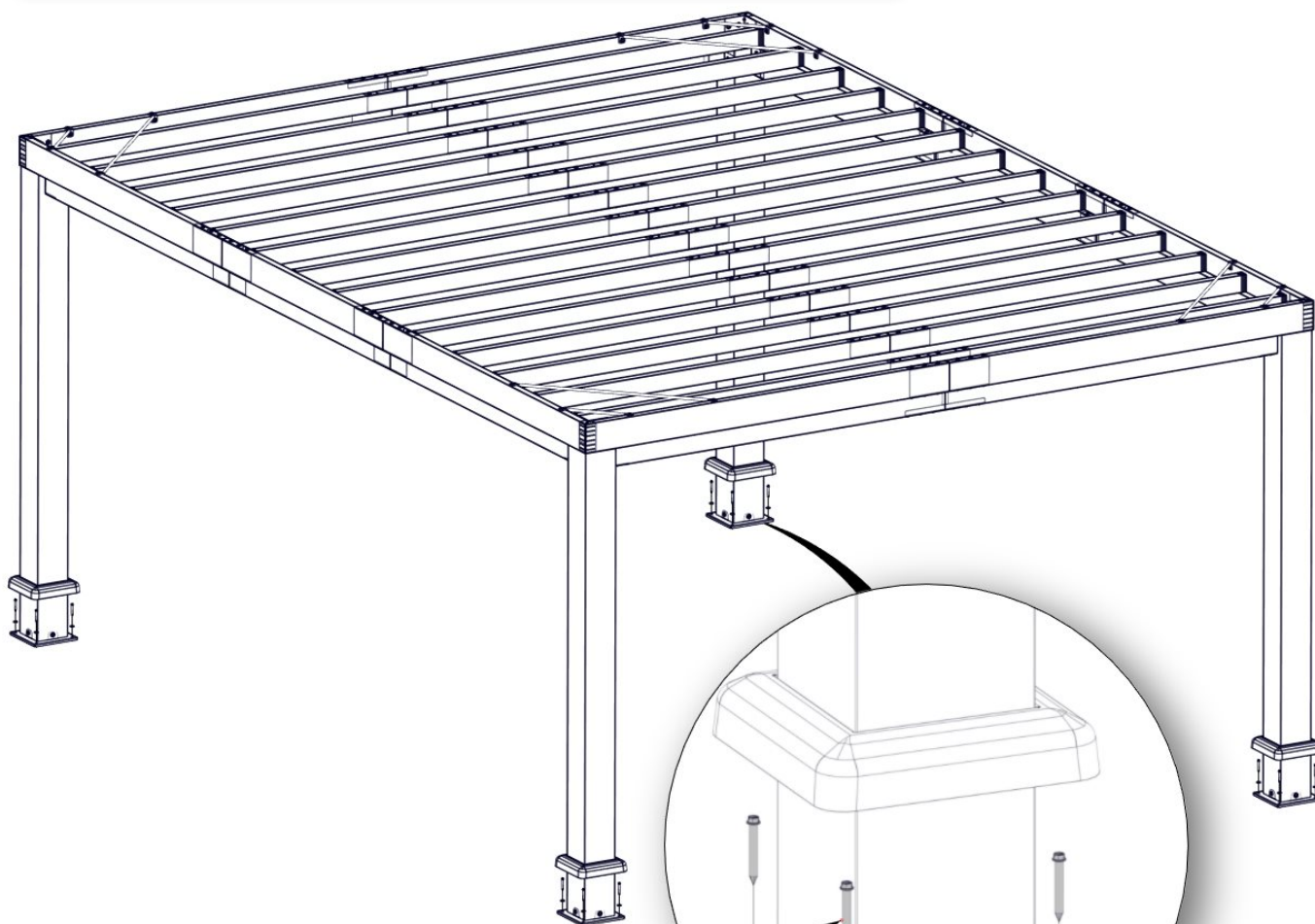
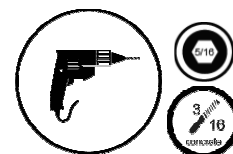
**H100120 | CONCRETE ANCHOR**  
(16) | 1/4x2



**H100630 | FLAT WASHER**  
(16) | BLK 8x19

NOTE: MANUFACTURER RECOMMENDS INSTALLATION ON CONCRETE SURFACE OR CONCRETE POST PADS. SEE BELOW.

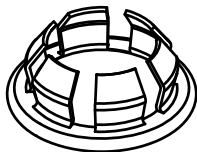
FOR INSTALLATION ON A WOOD DECK, YOU MUST ENSURE THERE IS AMPLE STRUCTURAL SUPPORT UNDER THE DECK. SCREWS ARE NOT PROVIDED TO ATTACH TO DECK.



**120 (x16) SCREW - 2"**

**630 (x16) WASHER 8x19**

ONCE PERGOLA IS PLACED IN THE DESIRED LOCATION, PRE-DRILL HOLES FOR CONCRETE ANCHORS USING A 3/16" CONCRETE DRILL BIT.



**N2 | A4M01352**  
(x20) | HOLE COVER

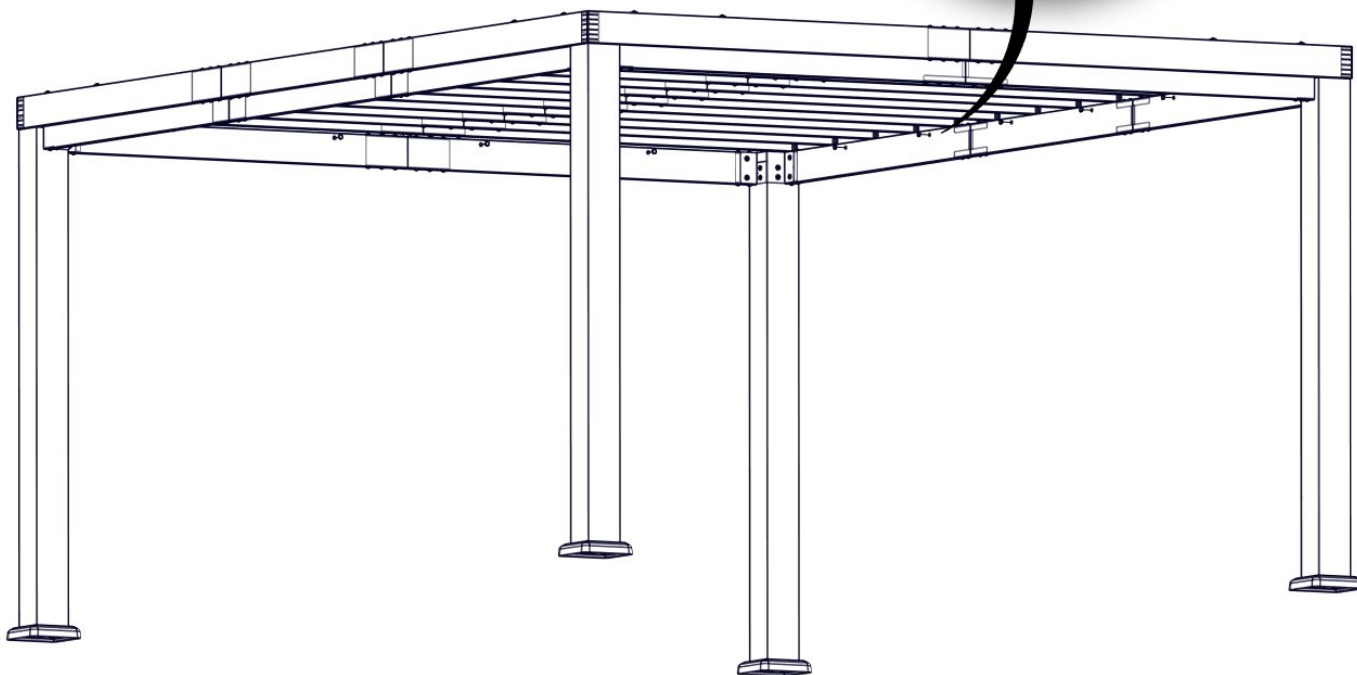
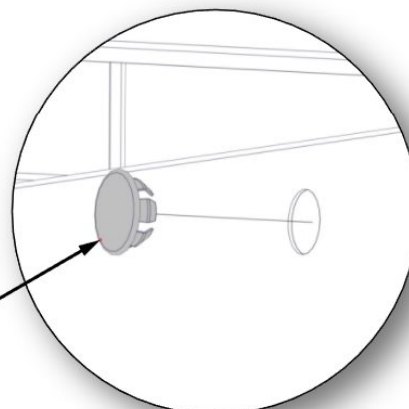


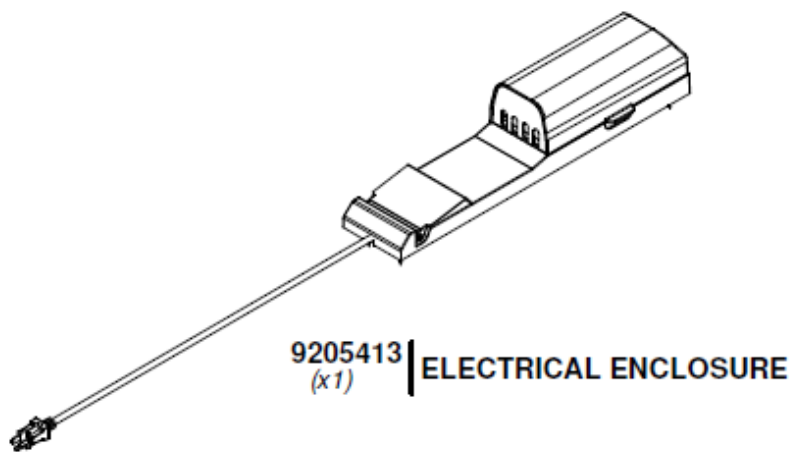
BEFORE HOLE COVERS ARE INSTALLED, ENSURE ALL JOISTS ARE WITHOUT SAG. ADJUST AND TIGHTEN BOLTS AS NEEDED TO ELIMINATE ANY SAG.



USE A SMALL PIECE OF WOOD TO TAP HOLE COVERS IN WITH A RUBBER Mallet.

**N2 (x20)**  
**HOLE COVER**





Electrical enclosure available only in North America

FOR ELECTRICAL ENCLOSURE INSTALLATION REFER TO ASSEMBLY INSTRUCTIONS THAT COMES PACKAGED WITH THE ELECTRICAL ENCLOSURE KIT. INSTALL ON ANY POST THAT IS DESIRED. FOLLOW DIRECTIONS FOR PROPER INSTALLATION.