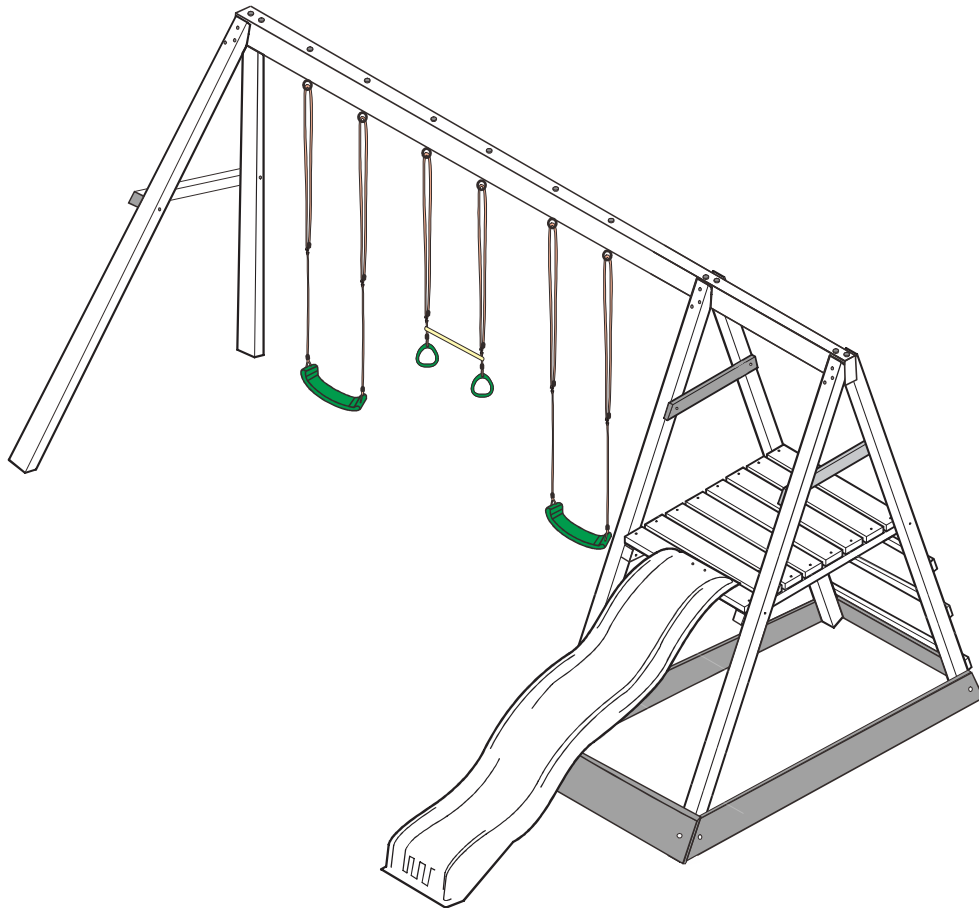




# ASSEMBLY MANUAL



- Not suitable for children under 36 months due to small parts, cords and the design of the product.
- For children ages 3-12 years and must be used under adult supervision.
- **SUFFOCATION HAZARD:** be careful of small detachable parts that may be swallowed.
- Keep the packaging away from children and dispose of all packaging before use.
- This owner's manual contains safety, assembly, use and maintenance instructions. Retain for future reference.
- The product must be assembled by an adult who has read and understood these instructions.

# TABLE OF CONTENTS

1. GENERAL SAFETY INSTRUCTIONS	3
1.1 DANGER FOR CHILDREN	3
1.2 RISK OF INJURIES	3
1.3 PRODUCT DAMAGE	3
1.4 ASSEMBLY ADVICE	3
2. SAFETY INSTRUCTIONS	4
3. ASSEMBLY INSTRUCTIONS	6
4. MAINTENANCE	14
5. CLEANING	14
6. WARRANTY	15

# 1. GENERAL SAFETY INSTRUCTIONS

## PURPOSE

This product is intended for outdoor, domestic use only. It is not suitable for commercial or medical use.

Weight Limit: Swing 50kg; Trapeze bar 50kg .

Maximum Fall Height: 1.83m

### 1.1 DANGER FOR CHILDREN

- **WARNING! No eating while using the product**
- This product may only be used with adult supervision at all times.
- The packaging material is not suitable for children due to choking and suffocation hazards.

### 1.2 RISK OF INJURIES

- Do not use the product if it is damaged or defective. If it is damaged or defective, please contact a qualified technician.
- Check the product before each use. Defective parts must be changed immediately as they can impair the function and the safety of the product.
- No more than one person to use web swing, trapeze and swing at the same time.
- 1 user are required for the slide use at all time.
- Use the product only on even and non-slipping surfaces. Never use it near water and keep sufficient space around for safety.
- Beware of moving swings which could catch your arms or legs.

### 1.2 PRODUCT DAMAGE

- Do not make alterations to the product. Only use original spare parts. Qualified technicians should only carry out repairs – improper repairs can lead to danger for the user. Use this product only as described in this manual.
- Protect the product against splashes, humidity, high temperature and direct sunlight.

### 1.3 ASSEMBLY ADVICE

- The assembly of the product must be done carefully and by an able-bodied adult. If in any doubt, ask a technically qualified person.
- Before you start with the assembly, read the instructions carefully.
- Remove all packaging materials and lay down all parts on an open space. This gives you an overview and simplifies the assembly procedure.
- Check with the parts list that all parts are available. Dispose of the packaging material when the assembly is completed.
- Beware that when using tools or doing technical work, there is always a risk of injuries. Assemble the product with care.
- Create a danger free environment; for example, do not let tools lay around the workspace. Store the packaging material in a way that cannot cause any danger.
- After installing the product according to the instruction manual, ensure all screws, bolts and nuts are correctly installed and tightened and that all joints are secure.
- Reasonable space must be kept between the product and possible sources of danger, such as other equipment swimming pools and fences.

- The product must be assembled correctly before use.
- Place the product on a level surface at least 2 m from any structure or obstruction such as a fence, garage or house.
- No modifications are to be made to the original product.
- The product must always be used in a well-lit area.
- Do not place anything under the product.
- Use gloves during assembly and disassembly.
- Outdoor products should be equipped with a device that in strong wind conditions avoid displacement due to wind (e.g. steel bars in the ground or loads like sand bag or water bags).
- In certain areas during winter, snow buildup and the low temperatures can damage the product. It is recommended to remove snow buildup and to store the product indoor.
- We strongly recommend visual inspections every 3 months to insure the integrity of the entire product. Replace any parts as necessary.

## **2.SAFETY INSTRUCTIONS**

- The safety instructions of the product should always be considered and obeyed.
- Using the product may result in permanent injury such as paralysis, or even death. Falling off the product may lead to injuries, particularly to the back, neck or head.
- No clothes with hooks or lose parts should be worn or carried during product usage in order to avoid hooks getting caught and causing injury.
- Moving the product whilst assembled may affect the integrity of the frame. Should it be necessary to move the product, please consider the following:
  - 1.) Force to be evenly spaced around the frame to lift the product off the ground
  - 2.) The product must be carried horizontally
  - 3.) Use caution whilst moving as it could bend the product frame.
- Users should be familiar with the assembly manual. This manual contains assembly guidance; selected precautionary measures as well as recommendations for servicing and maintenance of the product, in order to ensure safe and fun usage.
- It is the responsibility of the owner or the supervisor to guarantee that all users of the product are informed sufficiently of all warning references and safety instructions.

### For the supervisor:

The supervisor's role is to make sure users are aware of all safety precautions and that these precautions are enforced. When a supervisor is not available, the product may be disassembled or covered to limit access.

- The product can be only used if it is in good condition, worn or damaged parts should be replaced.
- Objects, which could be dangerous to the user, should be away from the product
- Avoid unauthorized and unsupervised use of the product.
- Do not use the product under influence of alcohol or drugs (incl. medicines).
- Do not use the product or its attachments as a jumping platform.

## Consumer Information Sheet for Playground Surfacing Materials

The US Consumer Product Safety Commission (CPSC) estimates that about 100 000 playground equipment-related injuries resulting from falls to the ground surface are treated annually in US hospital emergency rooms. Injuries involving this hazard pattern tend to be among the most serious of all playground injuries, and have the potential to be fatal, particularly when the injury is to the head. The surface under and around playground equipment can be a major factor in determining the injury-causing potential of a fall. It is self-evident that a fall on to a shock-absorbing surface is less likely to cause a serious injury than a fall onto a hard surface. Playground equipment should never be placed on hard surfaces, such as concrete or asphalt, and while grass may appear to be acceptable, it may quickly turn to hard-packed earth in areas of high traffic. Shredded bark mulch, wood chips, tine sand or the gravel are considered to be acceptable shock absorbing surfaces when installed and maintained at a sufficient depth under and around playground equipment.

Table B.1 lists the maximum height from which a child would not be expected to sustain a life-threatening head injury in a fall on to four different loose-fill surfacing materials if they are installed and maintained at depths of 150 mm, 225 mm and 300 mm.

**Table B.1: Fall height in millimetres from which a life-threatening head injury would not be expected**

Type of Material	Depth of surfacing material		
	150mm	225mm	300mm
Double Shredded Bark Mulch	1800	3000	3300
Wood Chips	1800	2100	3600
Fine Sand	1500	1500	2700

However, it should be recognised that all injuries due to falls cannot be prevented, no matter what surfacing material is used.

It is recommended that a shock absorbing material extend a minimum of 1 800 mm in all directions from the perimeter of stationary equipment such as climbing frames and slides. However, because children may deliberately jump from a moving swing, the shock absorbing material should extend in the front and rear of a swing a minimum distance of twice the height of the pivot point measured from a point directly beneath the pivot on the supporting structure.

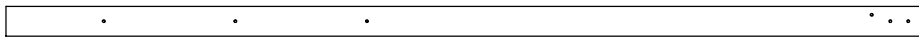
This information is intended to assist in comparing the relative shock-absorbing properties of various materials. No particular material is recommended over another. However, each material is only effective when properly maintained. Materials should be checked periodically and replenished to maintain correct depth as determined necessary for the equipment in question. The choice of a material depends on the type and height of the playground equipment, the availability of the material in a particular area, and its cost.

# COMPONENTS

SWING FRAME S3 X1PC



SWING LEG S4 X4PCS



SWING LEG S5 X2PCS



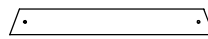
SANDPIT BOARD LONG S1 X2PCS



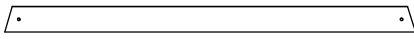
SANDPIT BOARD SHORT S2 X2PCS



PLATFORM BARRIER BOARD S9 X2PCS



PLATFORM BAR S6 X2PCS



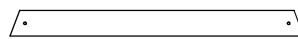
LADDER RUNG S10 X3PCS



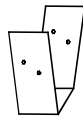
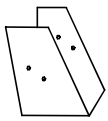
PLATFORM BOARD S7 X9PCS



SWING SIDESTAY S11 X1PC



ANGLED BRACKET B1 X1PC PLAIN BRACKET B2 X2PCS SEAT A X2PCS TRAPEZE F X1PC



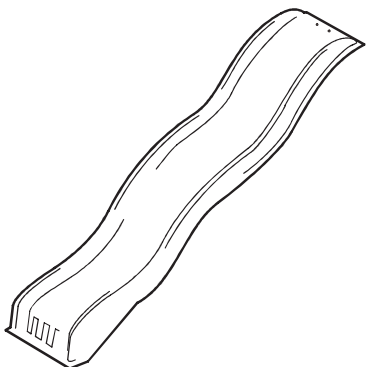
ANCHOR E X4PCS



SPRING HOOK D X6PCS

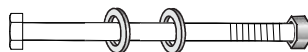


SLIDE S X1PC



## Fixings

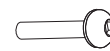
M6X130MM X6PCS



M6X60MM X2PCS



M6 LOCK NUT 21PCS



M6X35MM X2PCS



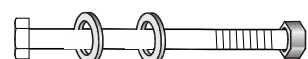
M6X50MM X4PCS



M6X130MM X3PCS



M8X115MM X4PCS



M4X50MM X30PCS



M6X40MM X12PCS



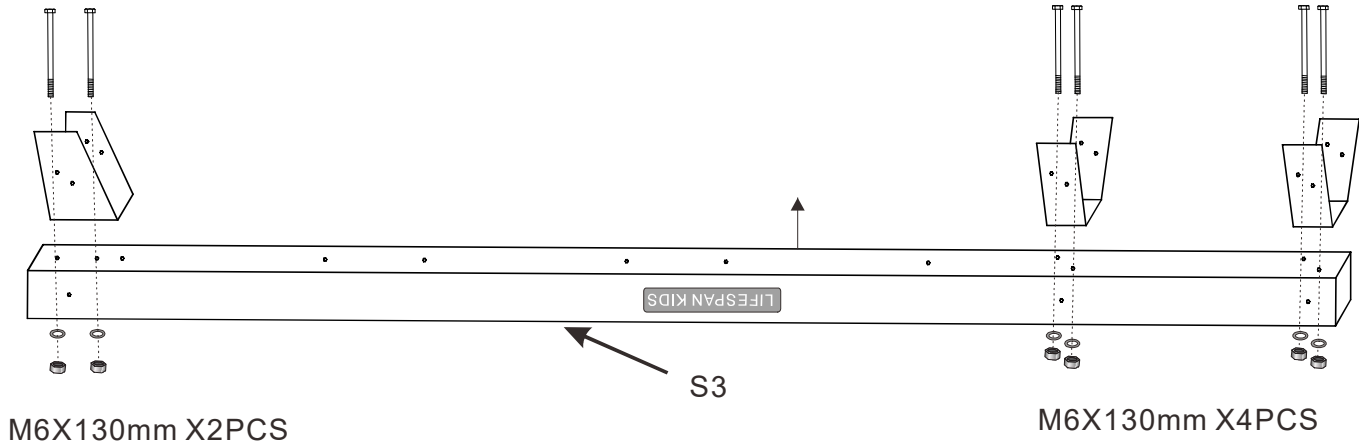
M6X70MM X6PCS



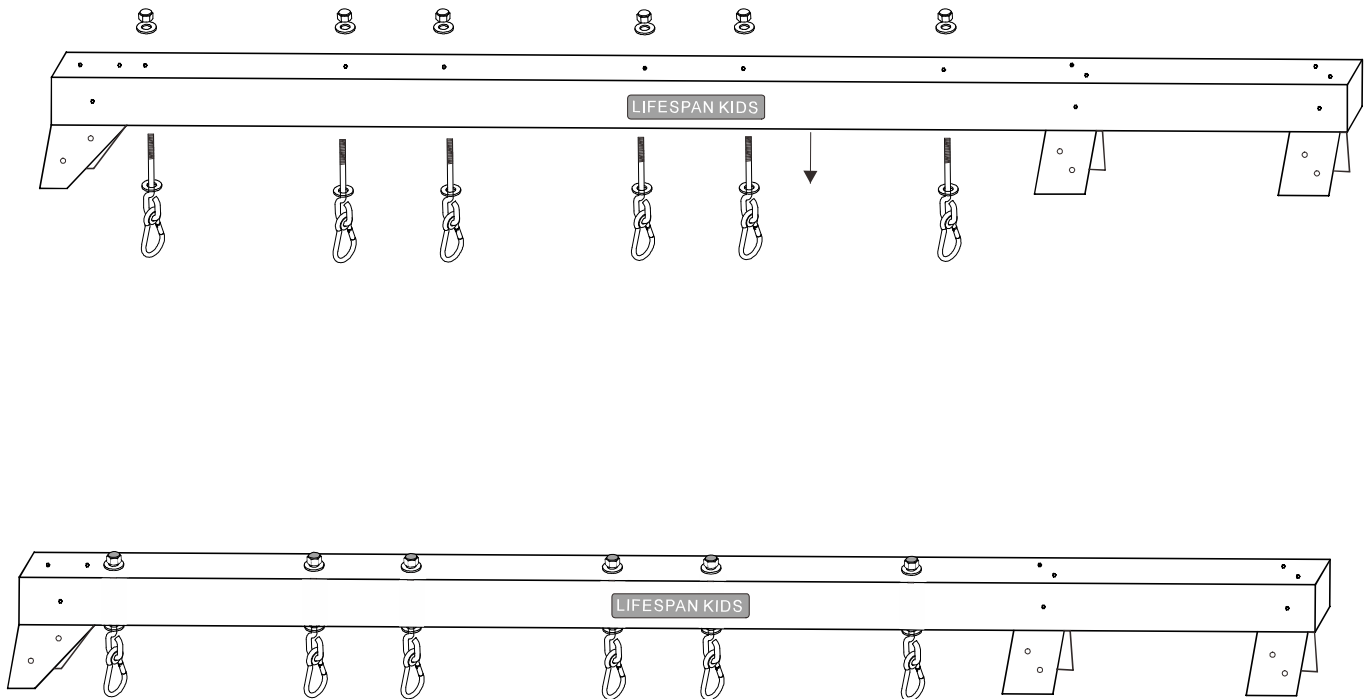
# 1. Bracket and Hang Hooks Assembly

1. Place the beam on the ground and align frame bracket with the corresponding holes of the beam, Ensure the washers are properly used and correctly use bolts to fix brackets on beam.

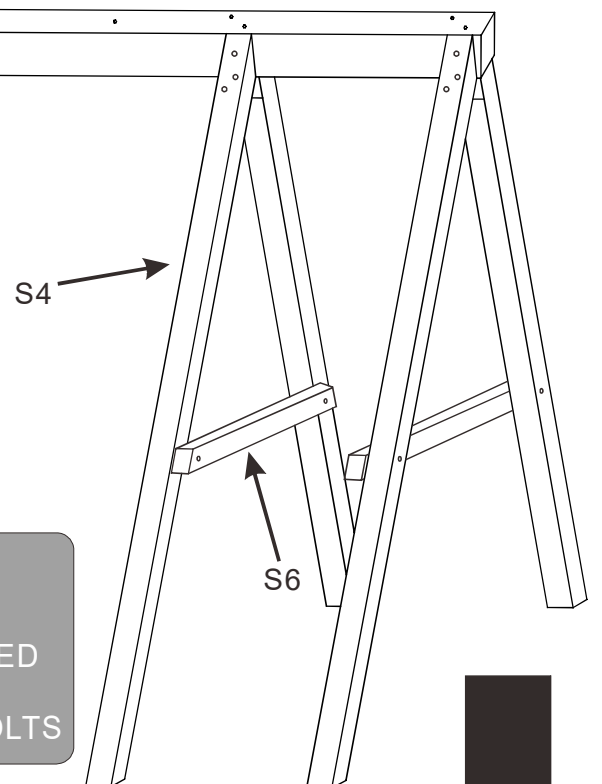
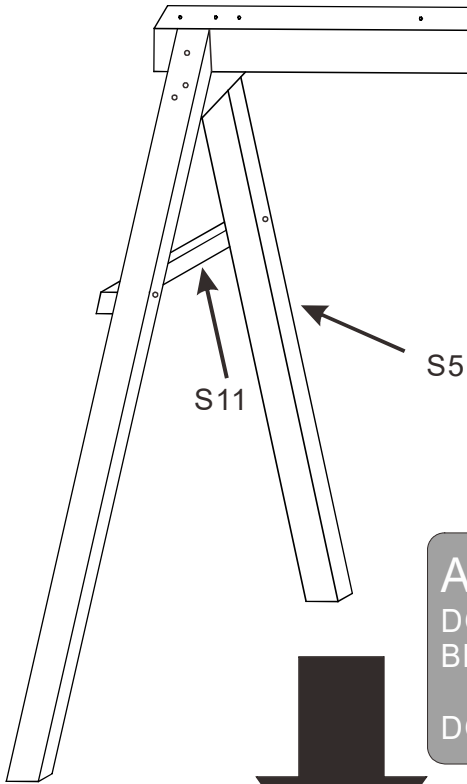
Pay attention to the beam direction (Refer to the logo brand)



2. Build 6 spring hooks as per the figs and turn around beam to right direction for next step assembly..

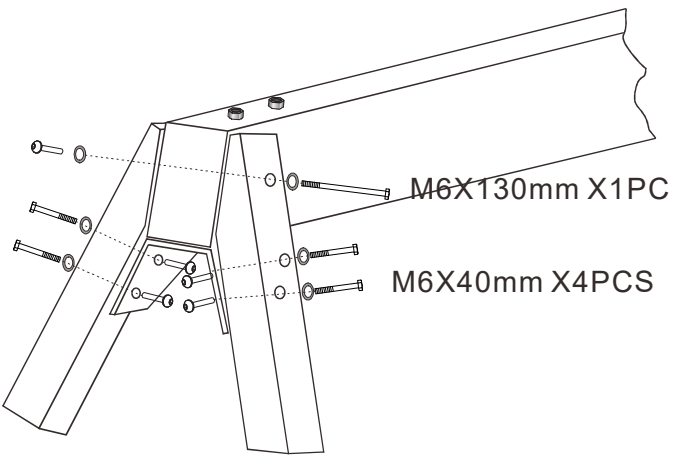


## 2. Leg Assembly

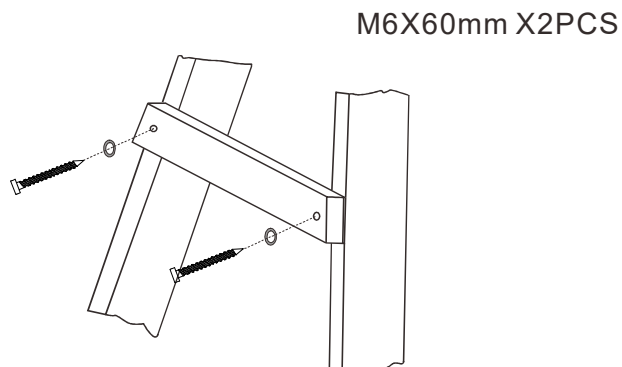


**ATTENTION !**  
DO NOT FASTEN BOLTS  
BEFORE FULLY ASSEMBLED  
DO NOT OVER FASTEN BOLTS

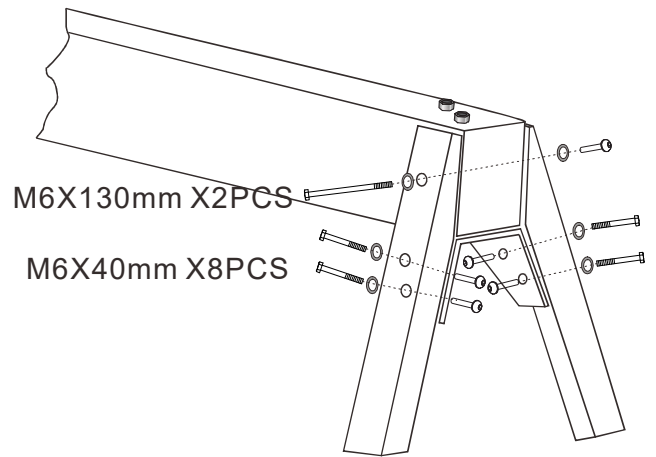
### STEP 1



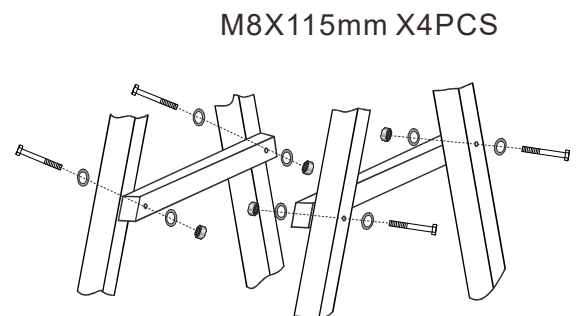
### STEP 2



### STEP 3

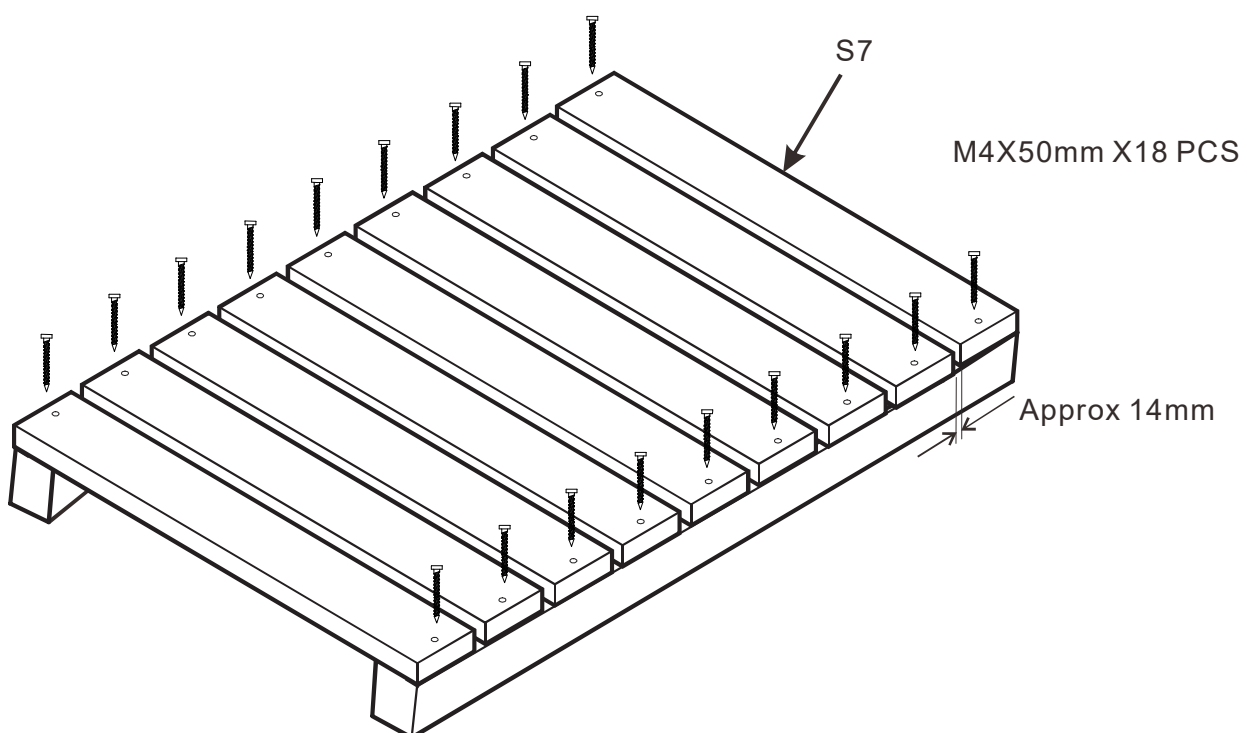
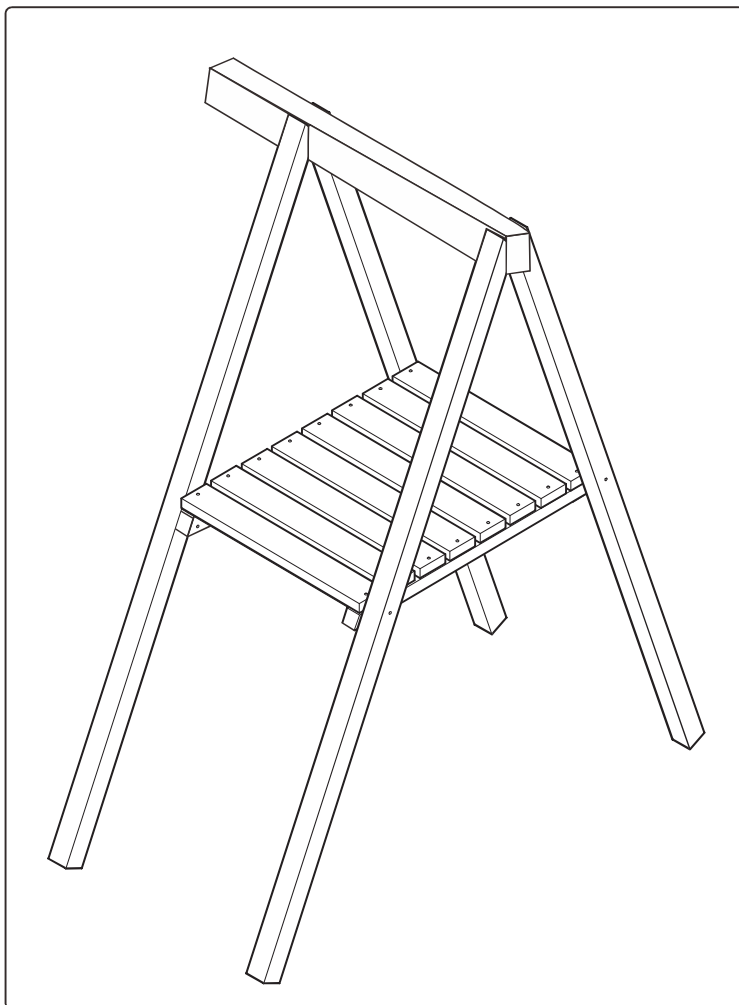


### STEP 4

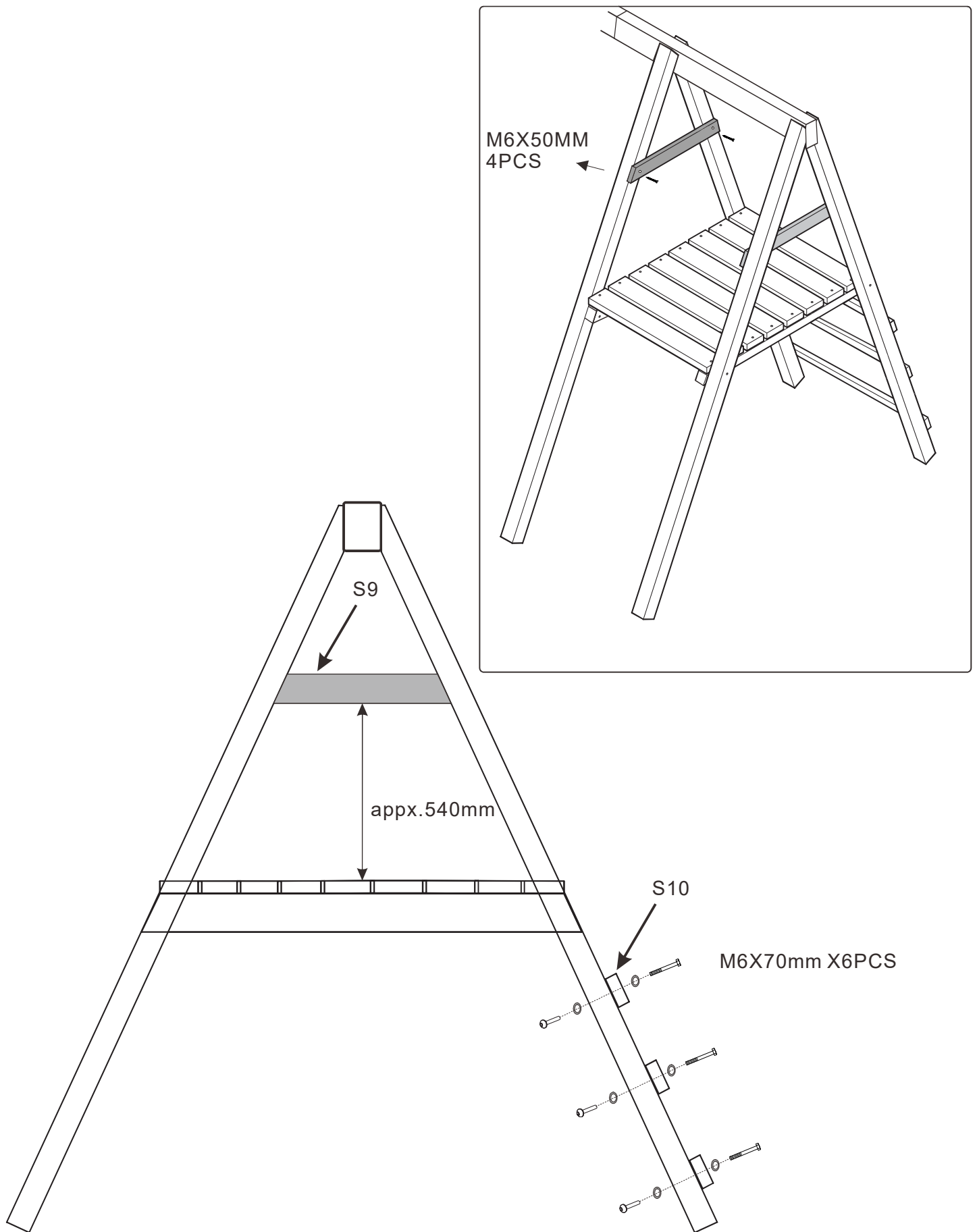




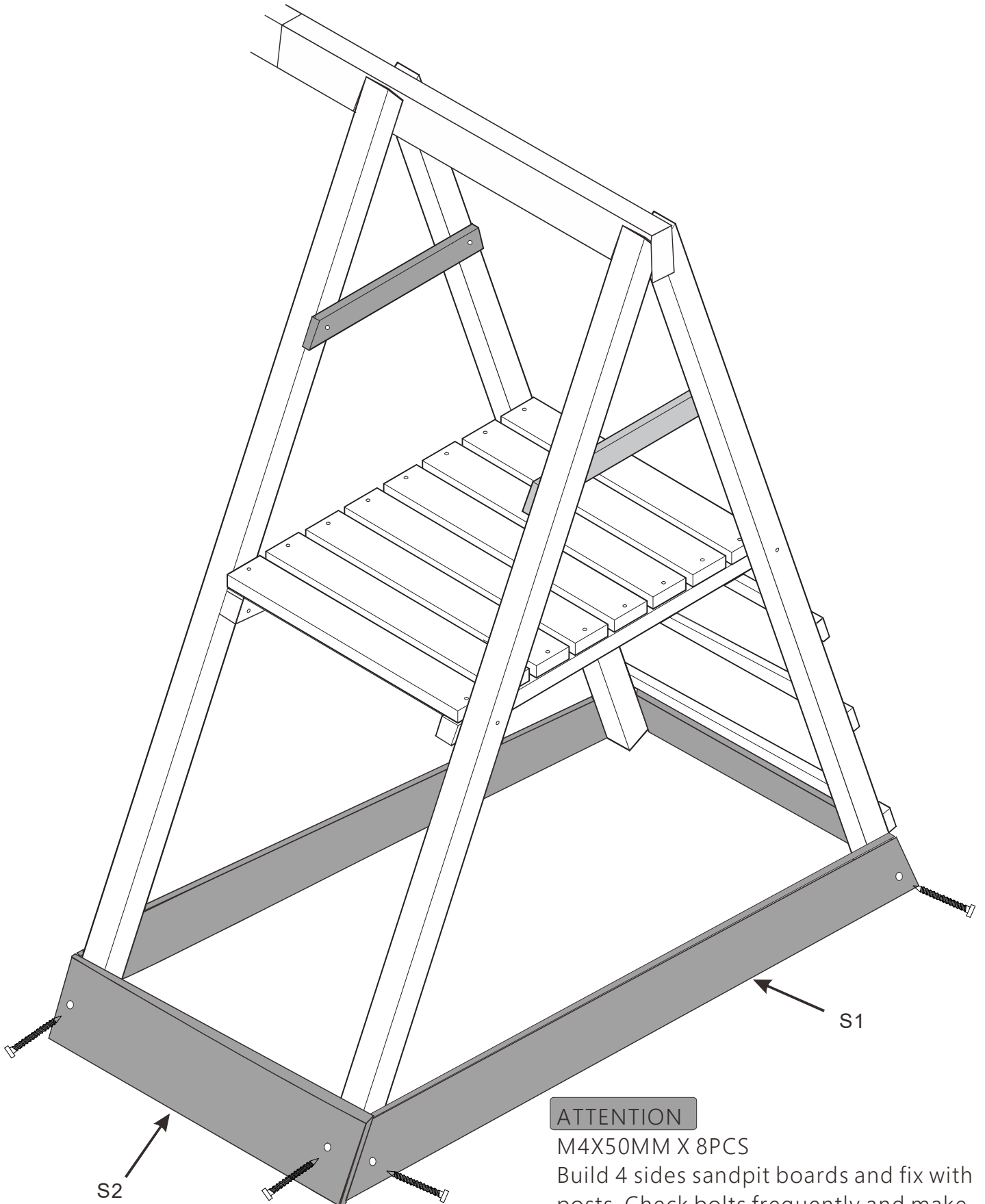
### 3. Platform Assembly



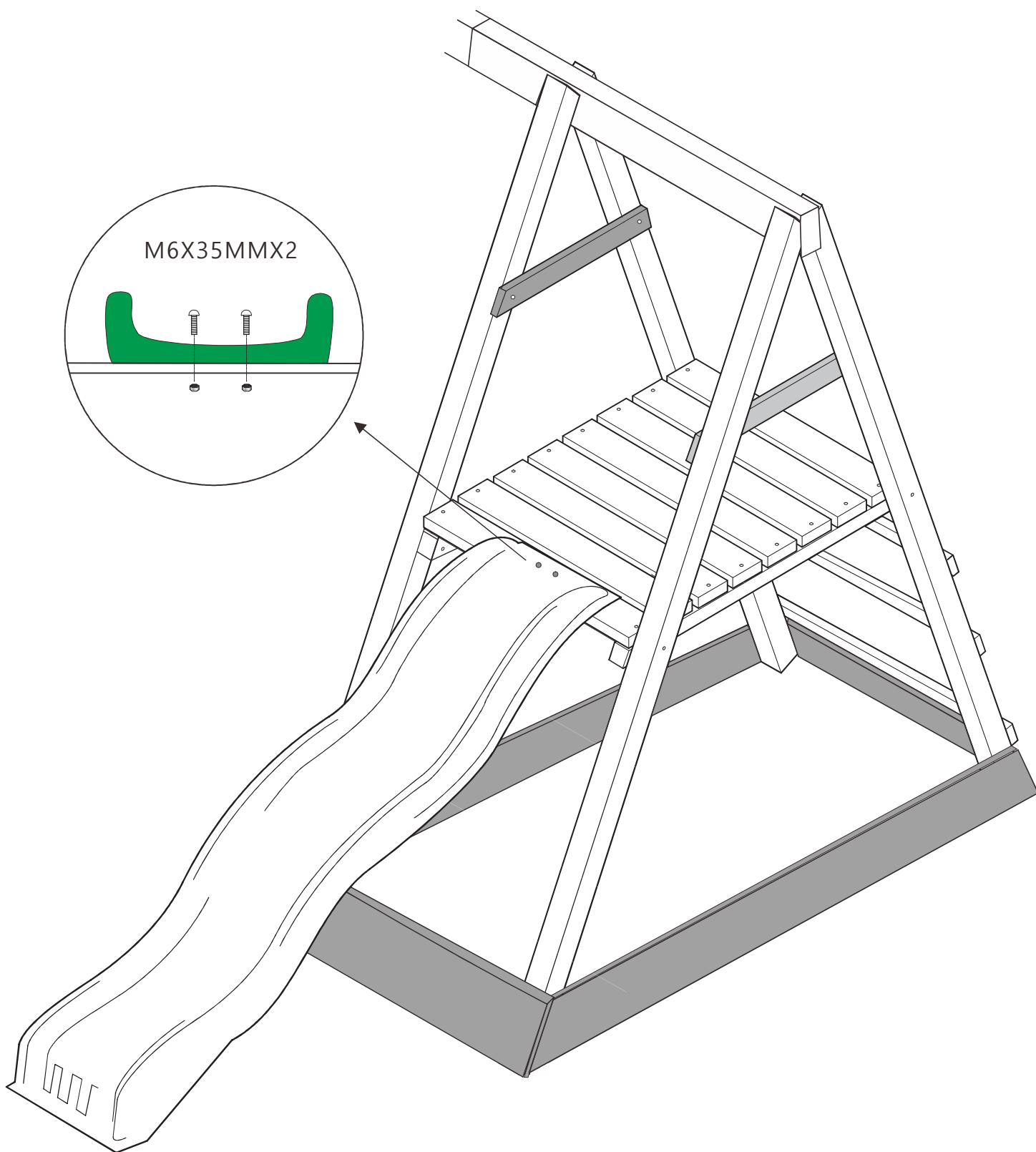
# 4. Platform Ladder / Barrier Assembly



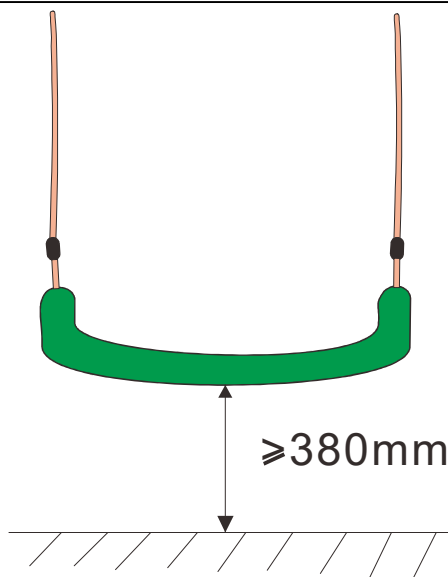
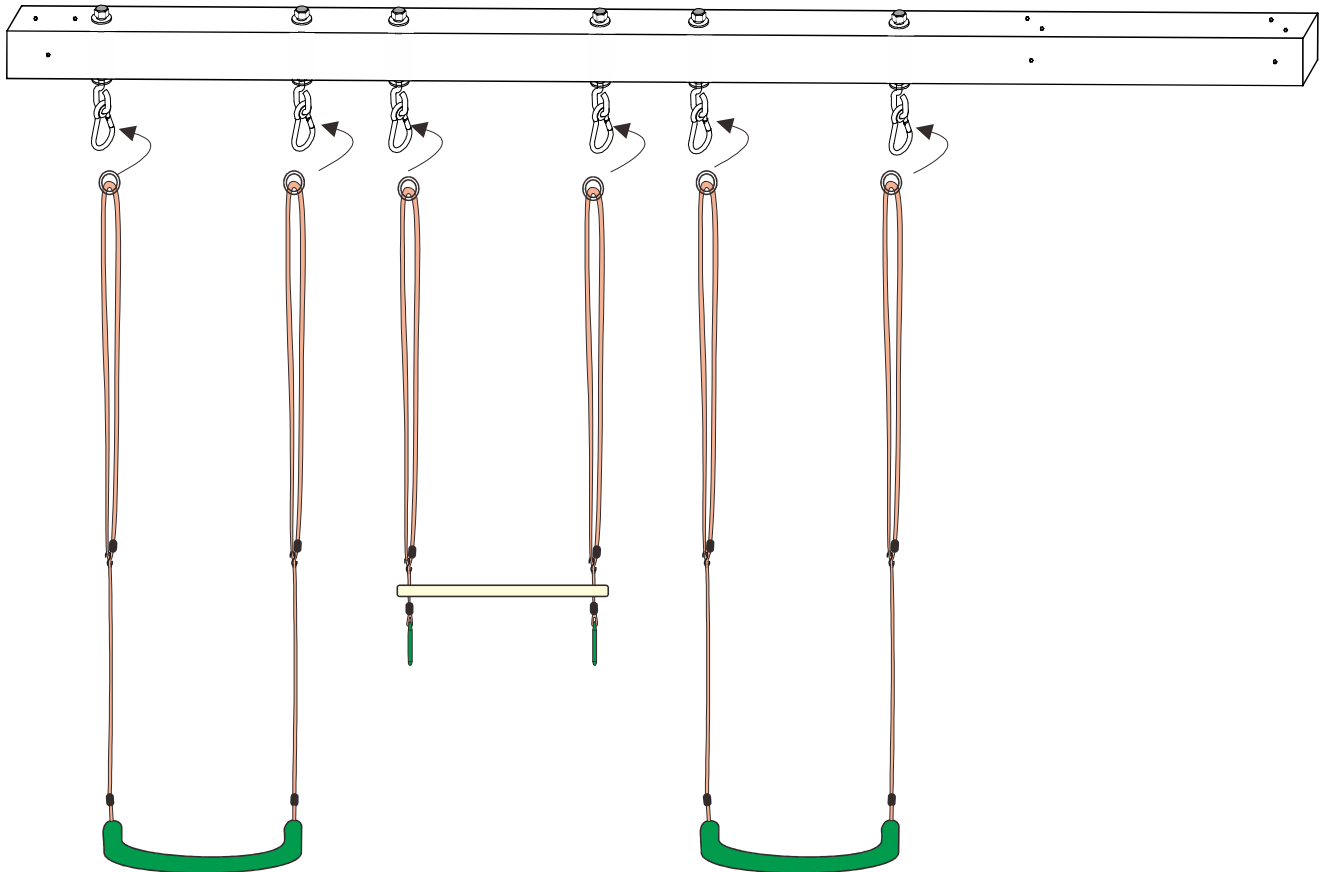
## 5. Sandpit Assembly



## 6.Slide Assembly



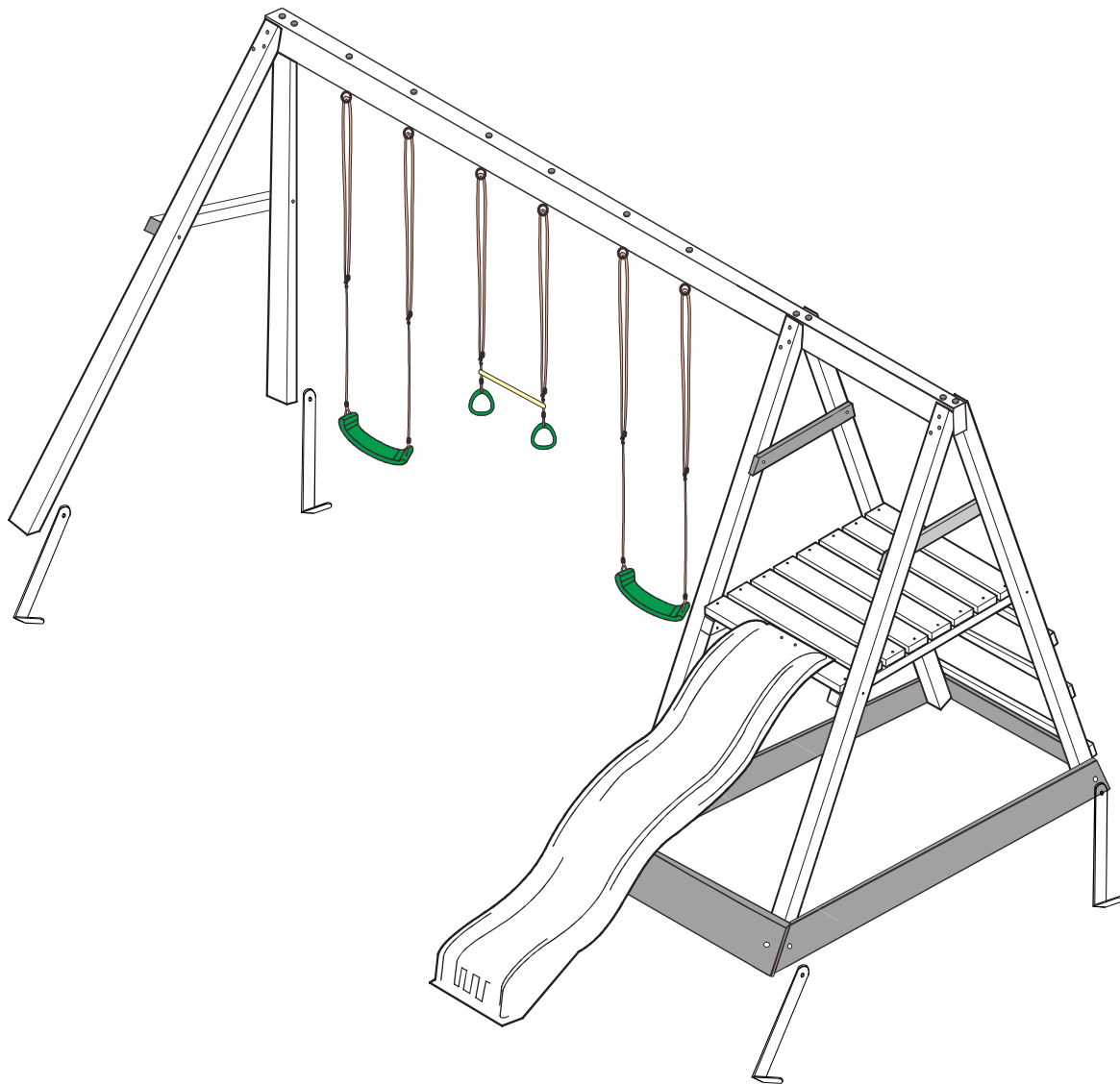
## 7. Swing Seat / Trapeze Assembly



### ATTENTION!

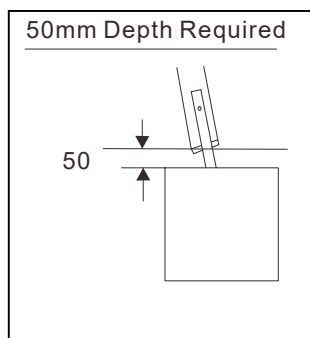
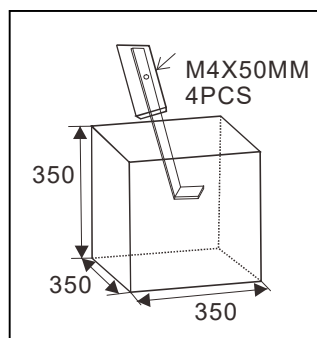
Adjustable rope system available.  
This distance from the ground to the swing  
element should not be less than 380mm.

## 7. Swing Seat / Trapeze Assembly

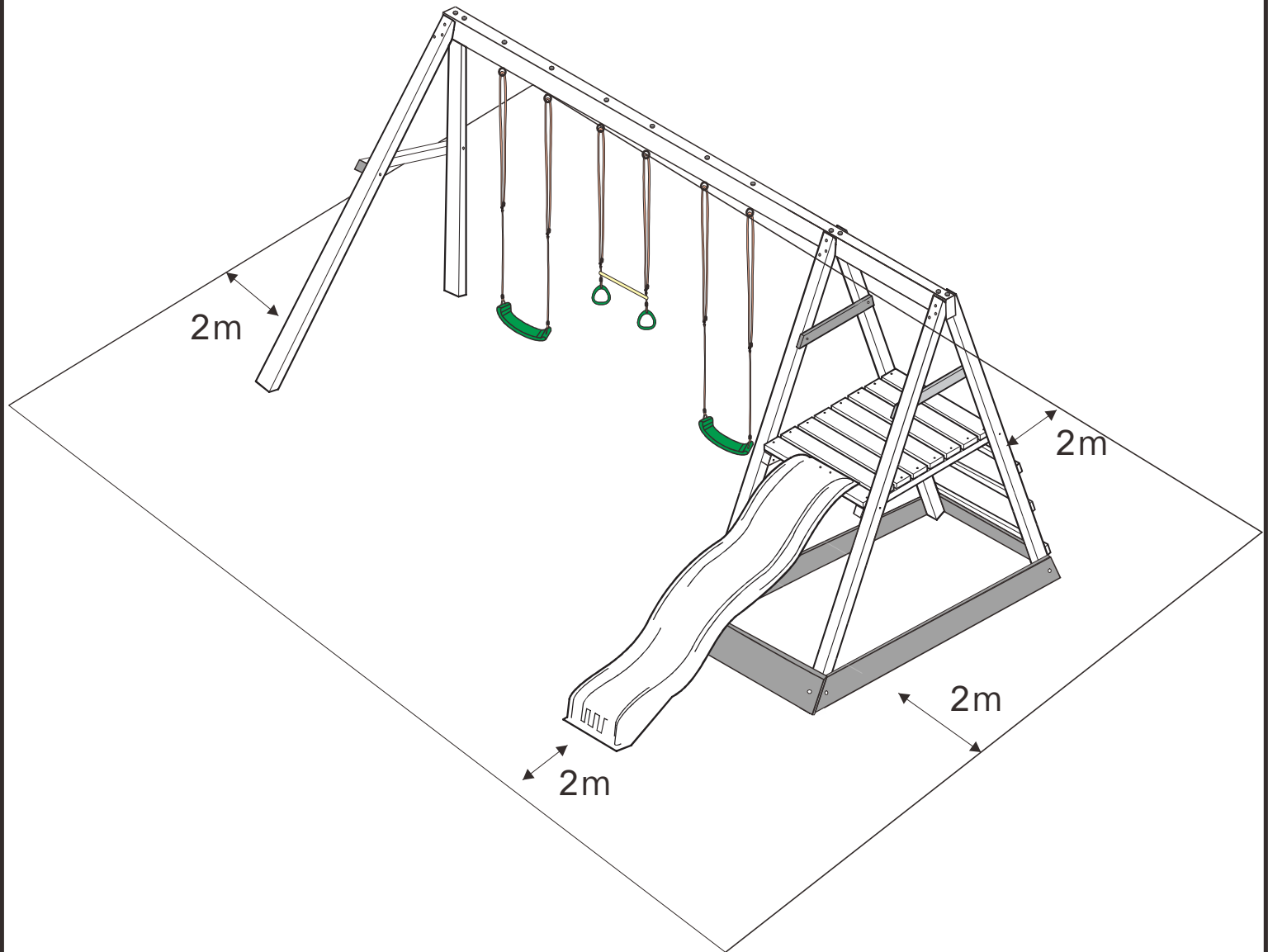


### ATTENTION!

The swing can be anchored directly into the ground using the anchors provided. You may also sue cement for additional stability, please follow the below instruction.



## 8. Safety Perimeter Diagram



### ATTENTION

Recommended Safety Perimeter:

The safe play area refers to the zone extending 2m beyond the equipment on all sides and 700cm above the equipment. The safe area must be free from all structures, landscaping, trees and branches, rocks, wires, sprinkler heads and other similar obstacles which could obstruct safe play. Children can be seriously injured running or colliding into such obstacles.

# WOOD ADVICE

Our products are manufactured from premium timber. Great care is taken in selecting, machining and treating the timber before it is sold to you.

1. Inspect wood parts monthly. The grain of the wood sometimes will lift in dry periods causing splinters to appear. Light sanding may be necessary to maintain a safe environment. Treating your Product with protection (sealant) after sanding will help prevent severe checking/splitting and other weather damage.
2. We have applied a waterborne translucent stain to your unit. This is done for colour only. Once or twice a year, depending on your climate conditions, you must apply some type of protection (sealant) to the wood of your unit. Prior to the application of sealant, lightly sand any "rough" spots on your set. Please note this is a requirement of your warranty.

Bear in mind that timber is a natural product and may experience changes throughout the course of its life.

It may:

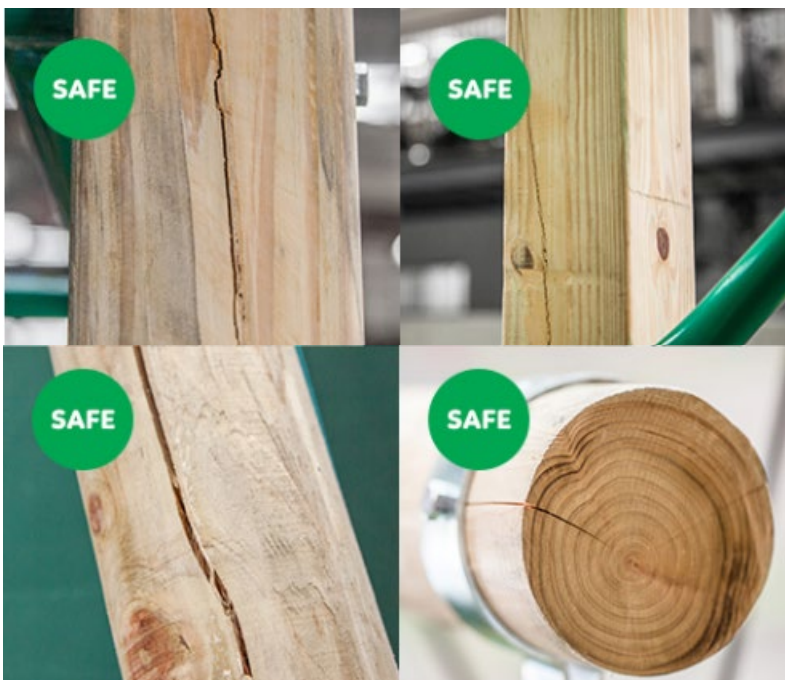
- Develop openings/checks (gaps, slits, apertures, cracks) along the line of the grain.
- Fade as the timber reacts with sunlight.

All woods are hygroscopic, that is, it will absorb or discharge moisture to attain equilibrium with the surrounding atmosphere. Timber openings/checks occur due to the moisture content between internal and outer surfaces of the timber. No two pieces of wood are exactly alike. Each piece has its own characteristics and personality and reacts differently to climate changes. When any wood products are exposed to the elements, it develops 'wood checks'. A check is the radial separation of the wood fibres running with the grain of the wood. These are caused by the varying temperature and moisture conditions. A check does not affect the strength or durability of the wood or structural integrity of the play set.

## When should wood cracks be a concern?

Most of the wood splits will never become large enough to affect the reliability and strength of our products, however, there can be rare cases where splits can occur. This happens when a crack develops past the halfway point from the timber, splitting it into two separate pieces.

Feel free to contact us with detailed pictures of your product so we can assess and ensure that your playground remains safe.



Dimensional timbers contain very little heart wood so less splits can be seen.

Round pole swing sets are very thick so that cracks (shown left) will not affect the strength and durability of our swing sets.

For more information: <http://www.lifespandkids.com.au/natural-timber>





## WARNING

- This product is to be used domestically in an outdoor family environment.
- This equipment may not be used for collective and/or public purposes (playgrounds, camp grounds, schools, nursery schools, etc.)

## ANCHORING

- Anchoring recommended for additional stability
- Anchor kits are provided, cement is not supplied.
- Minimum 5 cm depth below ground level of concrete anchoring is needed.
- The swing frame must not be installed directly on cement, asphalt, or any other hard surface.
- Your swing frame must be attached on a flat horizontal surface with a minimum of 2m between it and any structure or obstacle such as a fence, garage house, tree branches, cloths lines, or electric cables.

# 4. MAINTENANCE

WARNING: Please keep for future reference

We recommend regular maintenance to be conducted at the beginning of each season as well as at regular intervals during the usage session for your play equipment to ensure all main parts/fixings are tightly secured, well-oiled and intact to avoid failure, injury or hazards.

It is of particular importance that this is followed at the beginning of each season as well as at regular intervals during the usage season.

1. Check the accessories monthly as well as the play equipment's structure in order to prevent falling risks.
2. Check and retighten screws, bolts and all other hardware elements as necessary.
  - a. Do not over tighten to avoid damaging the thread or cracking the surrounding wood.
3. Check all coverings and bolts for sharp edges and replace when required.
4. Lubricate all moving metallic parts.
5. When signs of oxidation and / or rust appear on various metallic parts of your equipment, sand rusted areas and tubular members and repaint using a non-lead based paint when required.
6. Where applicable: check swing seats, chains, ropes and other means of attachment for evidence of deterioration.
7. Replace when required in accordance with the owner's manual.

# 5. CLEANING

Do not use any abrasive cleaners for the cleaning. Use a soft, damp cloth to eliminate dirt and dust.

## 6.WARRANTY

### AUSTRALIAN CONSUMER LAW

Many of our products come with a guarantee or warranty from the manufacturer. In addition, they come with guarantees that cannot be excluded under the Australian Consumer law. You are entitled to a replacement or refund for a major failure and compensation for any other reasonably foreseeable loss or damage.

You are entitled to have the goods repaired or replaced if the goods fail to be of acceptable quality and the failure does not amount to a major failure. Full details of your consumer rights may be found at [www.consumerlaw.gov.au](http://www.consumerlaw.gov.au)

Please visit our website to view our full warranty terms and conditions:  
<http://www.lifespankids.com.au/Warranty-Policy-Kids>

Please send all warranty and support inquiries through our ticketing system via the email address:  
[support@lifespankids.com.au](mailto:support@lifespankids.com.au).