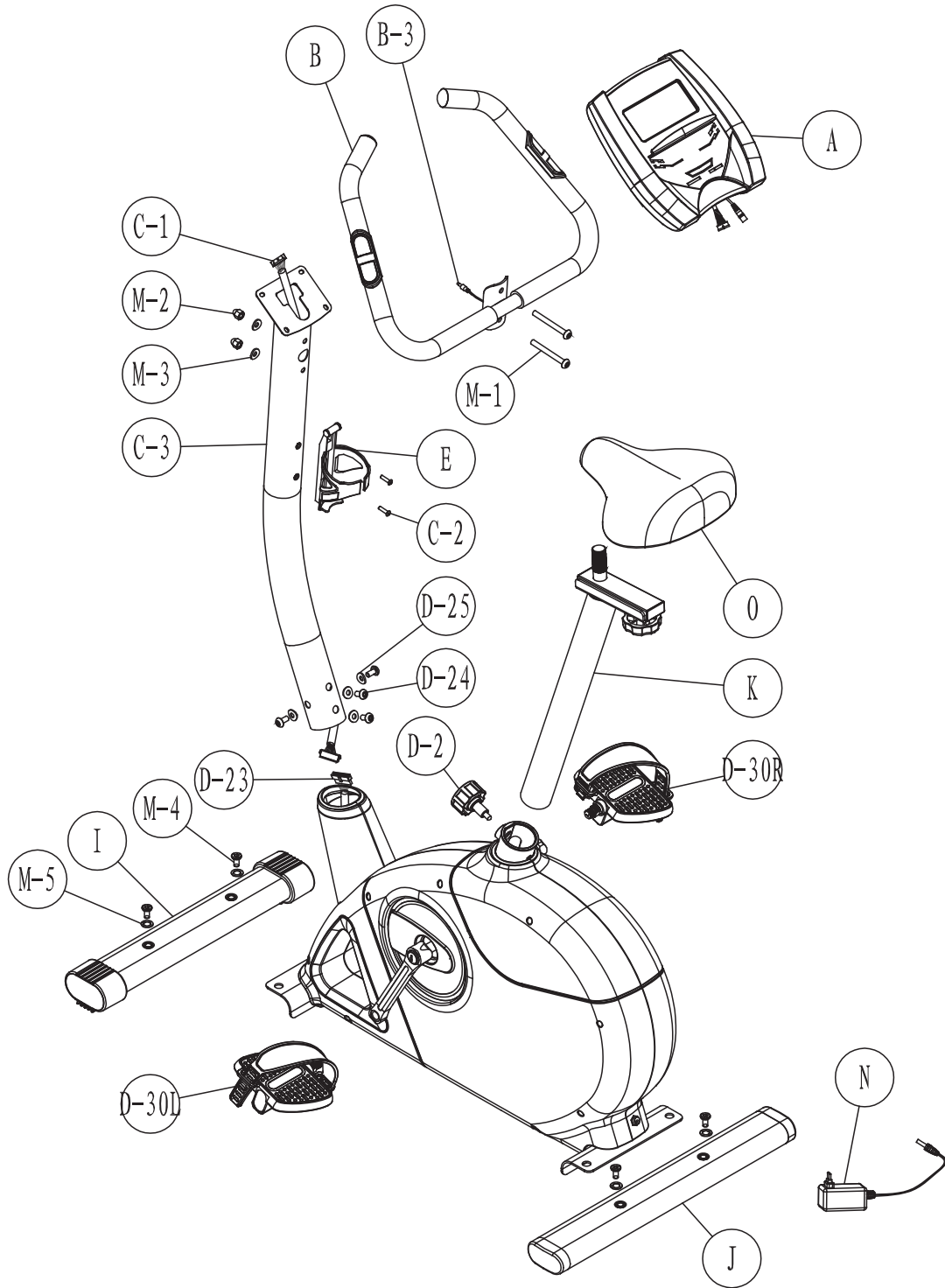


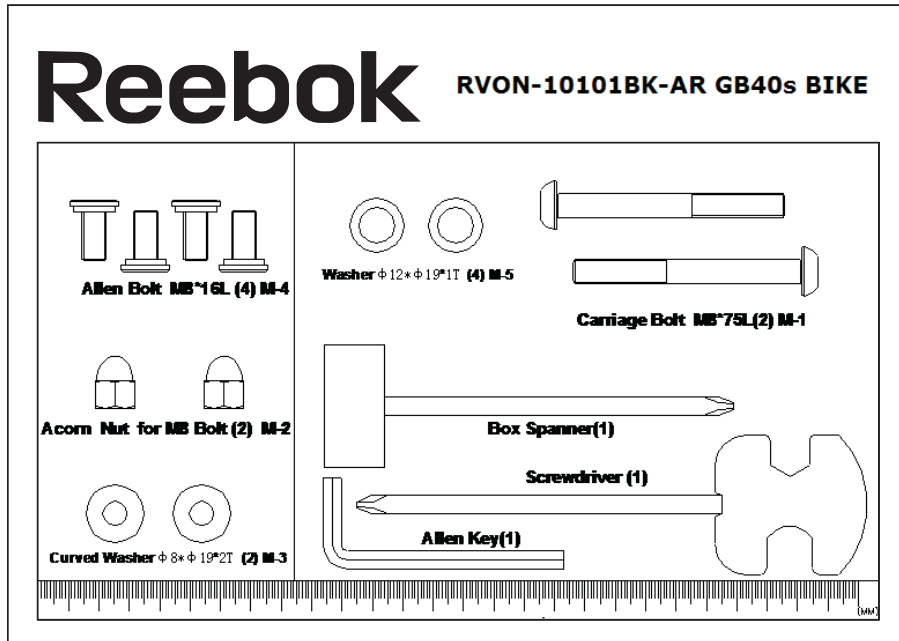


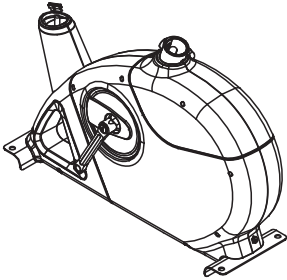
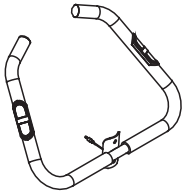
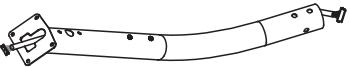

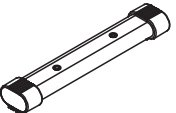
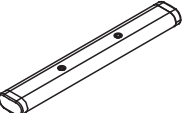
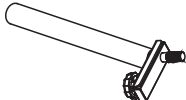



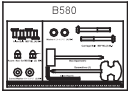
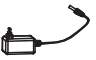
# **GB40s BIKE ASSEMBLY GUIDE**

**Reebok  
ONE SERIES**

# GB40s BIKE ASSEMBLY GUIDE

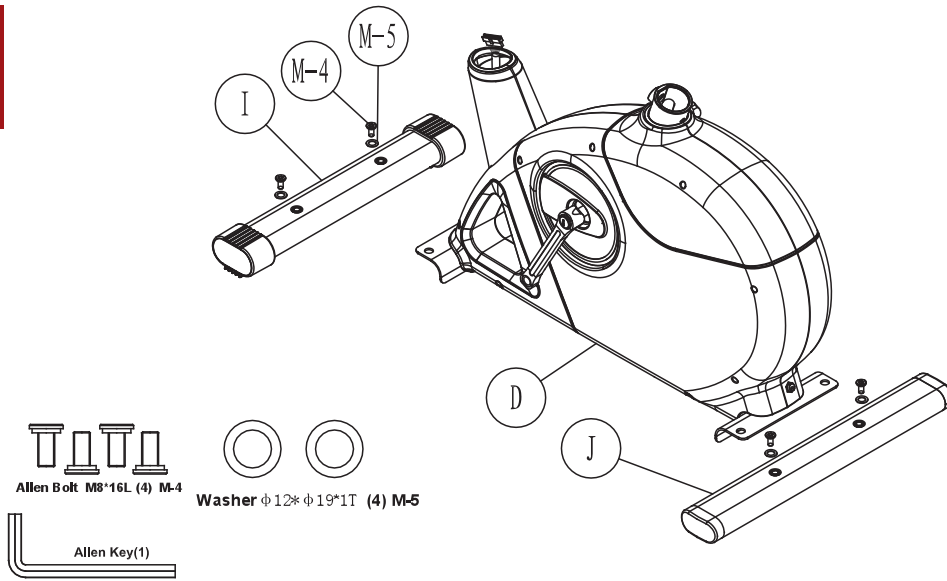




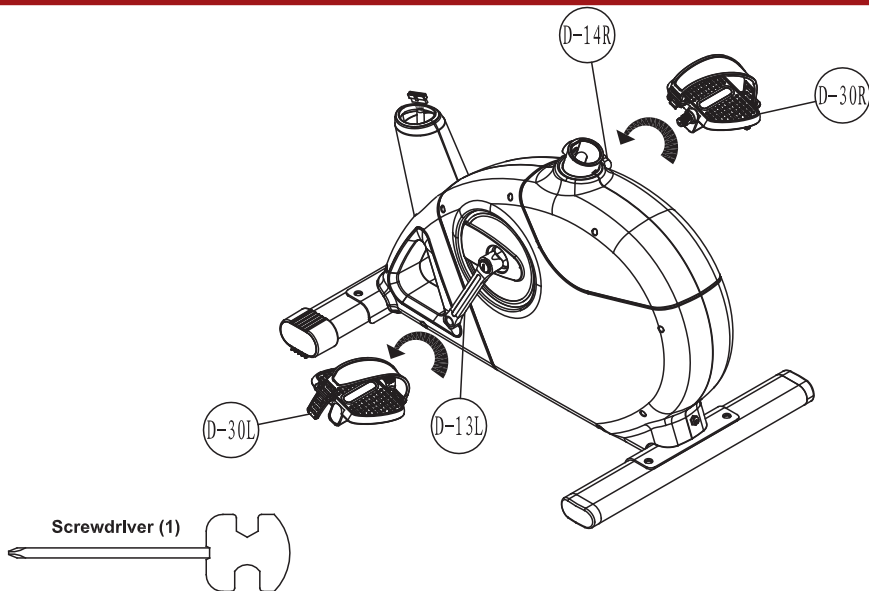
D		B	
C		O	
I		J	
K		E/D-2	
A		D-30	
M	 Manual	N	

# GB40s BIKE ASSEMBLY GUIDE

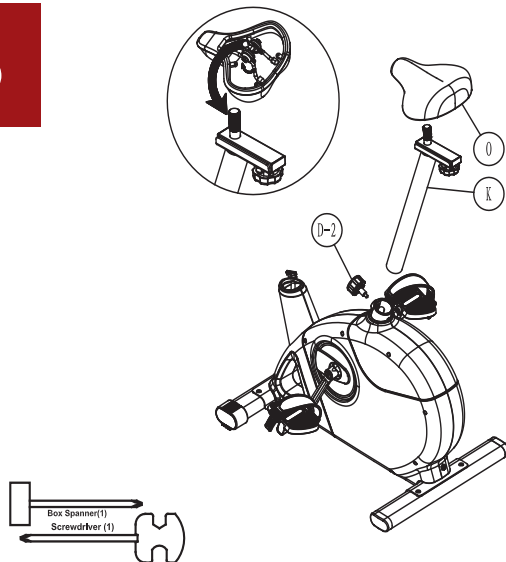
1



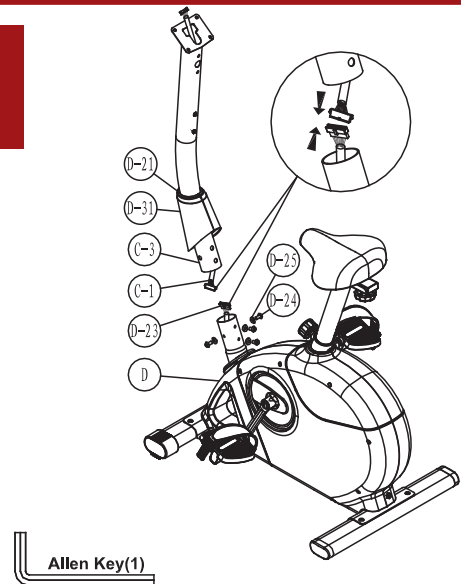
2



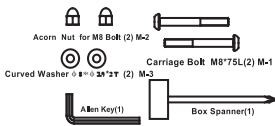
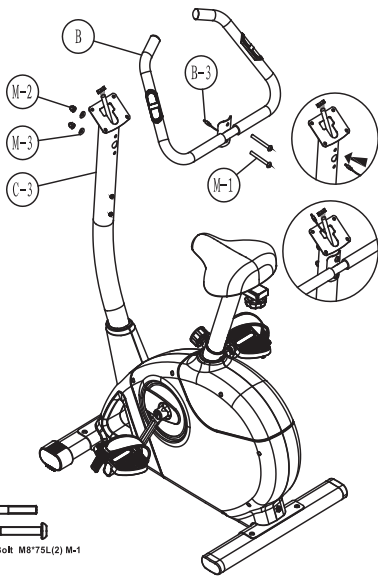
3



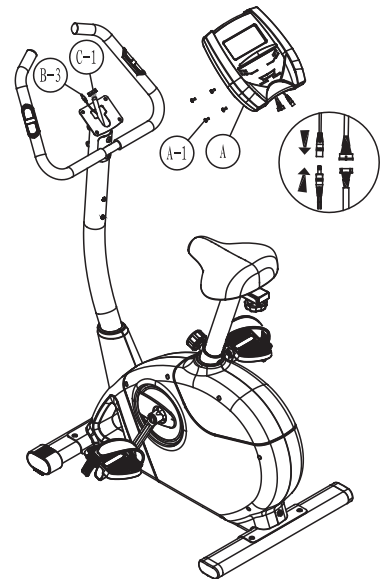
4



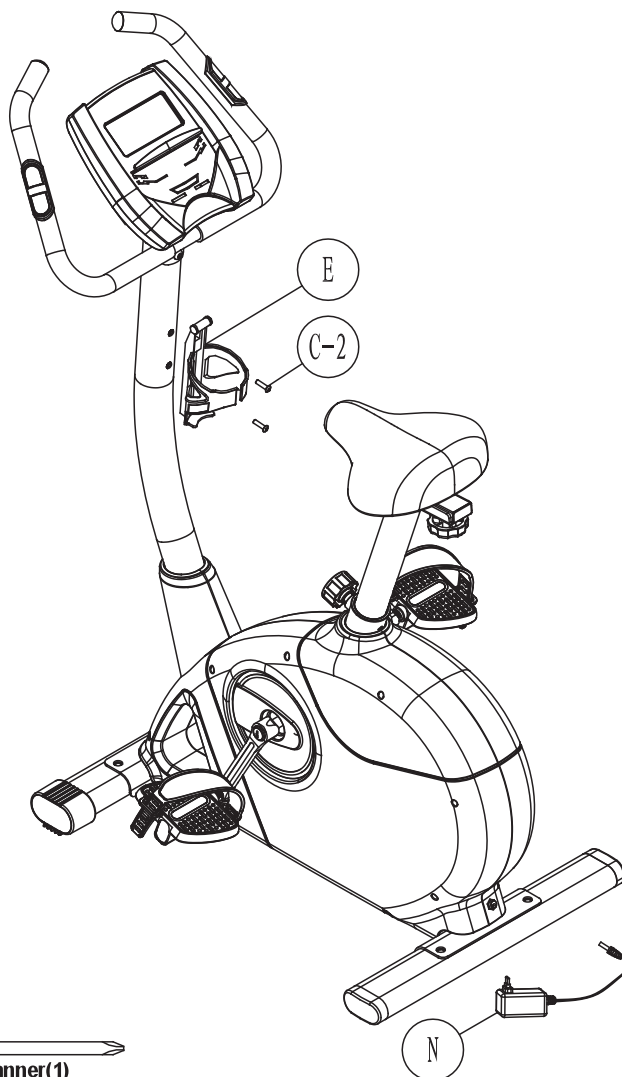
## 5



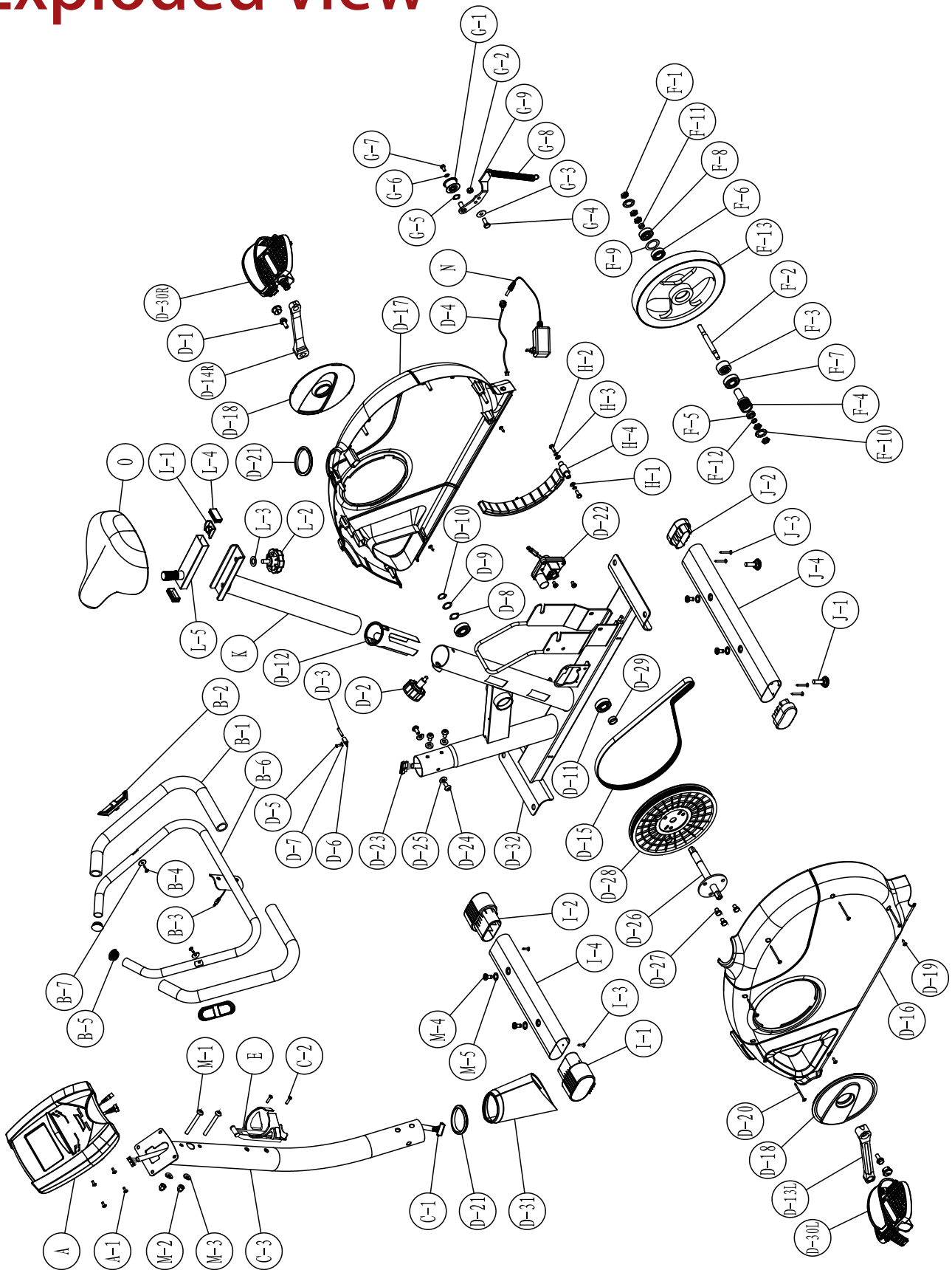
## 6



## 7



# Exploded view



ITEM	DESCRIPTION	Q'TY	ITEM	DESCRIPTION	Q'TY
A	GB40s Console SM2705-67	1	F-3	Single wheel	1
A-1	Screw M5*P0.8*10L	4	F-4	Pulley	1
B	Handlebar set	1	F-5	Bearing 6900RS	1
B-1	Foam grip	2	F-6	Bearing 6003RS	1
B-2	Hand pulse set	2	F-7	Bearing 6203	1
B-3	Hand pulse wire	1	F-8	Bearing 6300RS	1
B-4	Screw M4*20L	2	F-9	Flat washer	1
B-5	End cap	2	F-10	Star washer	2
B-6	Handlebar	1	F-11	Bushing of flywheel	1
B-7	Semi washer	2	F-12	Bushing of flywheel	1
C	Handlebar post set	1	F-13	Flywheel	1
C-1	Sensor wire (Upper)	1	G	Idler set	1
C-2	Screw M5*P0.8*20L	2	G-1	Idler wheel	1
C-3	Handlebar post	1	G-2	Nut M8	1
D	Main frame set	1	G-3	Flat washer	1
D-1	Nylon M8*P1.0*20L	2	G-4	Hexagonal screw M8*P1.25*18L	1
D-2	Knob	1	G-5	Wave washer	2
D-3	Sensor wire	1	G-6	Flat washer	1
D-4	DC wire	1	G-7	Hexagonal screw M6*P1.0*12L	1
D-5	Screw M4*10L	1	G-8	Idler spring	1
D-6	Sensor fixed bracket	1	G-9	Idler	1
D-7	Flat washer	1	H	Magnet set	1
D-8	Wave washer	1	H-1	Flat washer	2
D-9	Flat washer	1	H-2	Hexagonal screw M6*P1.0*16L	2
D-10	C clip	1	H-3	Spring washer	2
D-11	Bearing 6203	2	H-4	Magnet	1
D-12	Sleeve for seat post	1	I	Front stabilizer set	1
D-13	Left crank with cap	1	I-1	Front stabilizer pad	1
D-14	Right crank with cap	1	I-2	Front stabilizer pad	1
D-15	Belt	1	I-3	Screw 3/16'	2
D-16	Left chain cover (upper)	1	I-4	Front stabilizer	1
D-17	Right chain cover (lower)	1	J	Rear stabilizer set	1
D-18	Crank cap	2	J-1	Adjust small pad	2
D-19	Screw M5*16	4	J-2	End cap of stabilizer	2
D-20	Screw M4*50L	6	J-3	Screw 3/16'	4
D-21	Washer of handlebar post	2	J-4	Rear stabilizer	1
D-22	Servo motor set	1	K	Seat post set	1
D-23	Motor wire	1	L	Seat slider set	1
D-24	Screw M8*P1.25*20L	4	L-1	Fixing screw bracket	1
D-25	Semi washer	4	L-2	Knob of seat	1
D-26	Axle 2L	1	L-3	Flat washer	1
D-27	Hexagonal screw M8*P1.25*1	3	L-4	End cap	2
D-28	Pulley	1	L-5	Seat slider	1
D-29	Bushing	1	M	Hardware kit set	1
D-30	Pedal set	1	M-1	Screw M8*P1.25*75L	2
D-31	Cap of handlebar post	1	M-2	Nut M8	2
D-32	Main frame	1	M-3	Semi washer	2
E	Water bottle cage	1	M-4	Screw M8*16	4
F	Flywheel set	1	M-5	Flat washer	4
F-1	Nut 3/8'	5	N	Switching power adapter	1
F-2	Flywheel axle	1	O	Seat set	1

