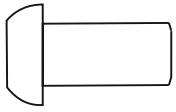


AB BOARD

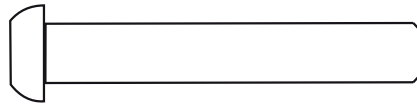
Assembly Manual



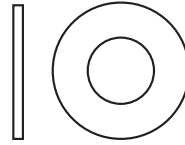
HARDWARE PACK



7 M10x20mm Bolt
x8



8 M8x55mm Bolt
x2



9 M10 Washer
x8



10 M8 Washer
x2

13 Allen Wrench
x1



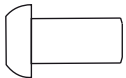
NOT INCLUDED



Spanner x1

1

5 M10x20mm Bolt x8



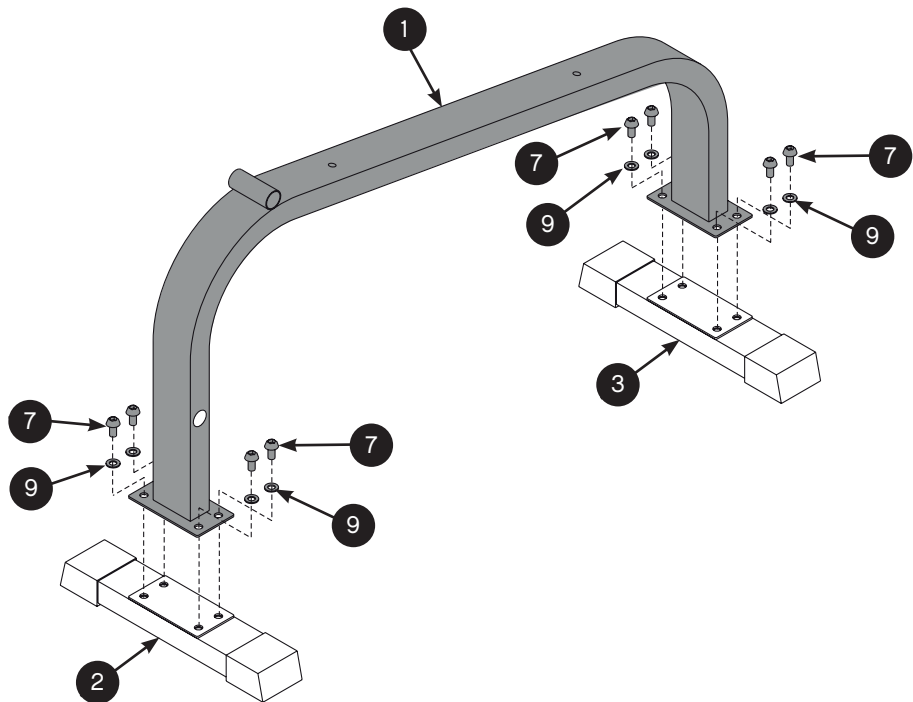
9 M10 Washer x8



13 Allen Wrench x1



Spanner x1



2

6 M8x55mm Bolt x2



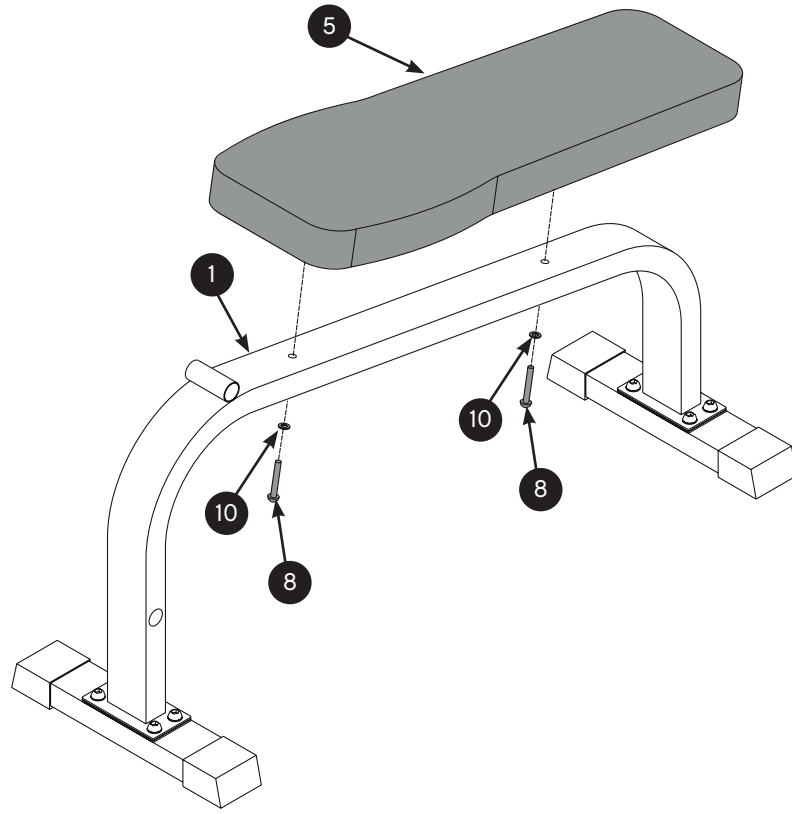
9 M8 Washer x2



13 Allen Wrench x1



Spanner x1

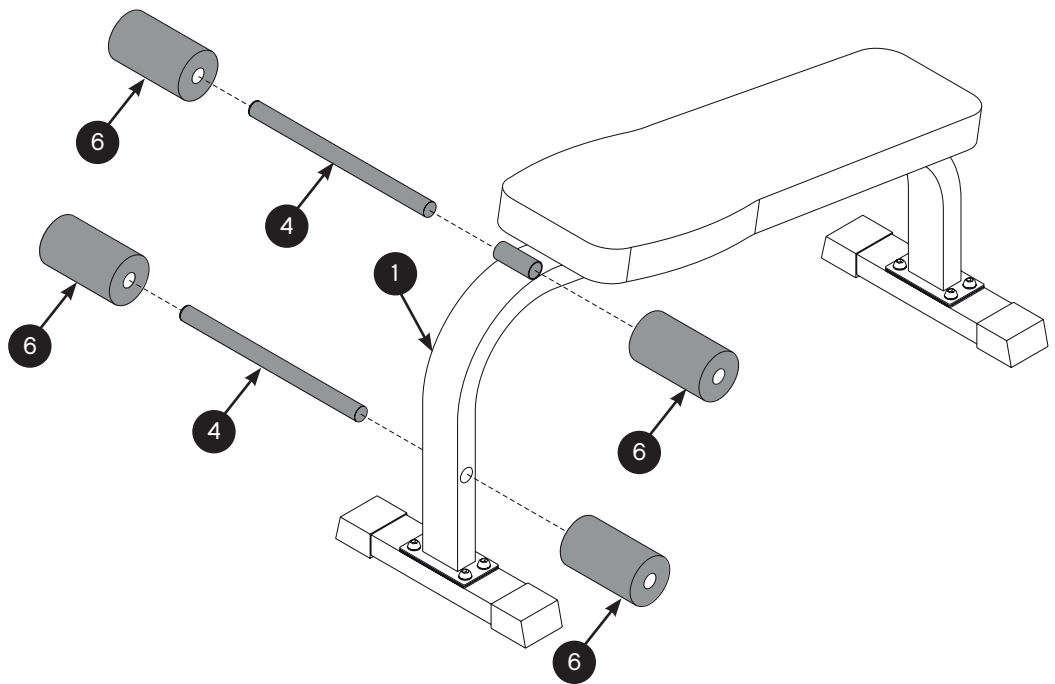


3

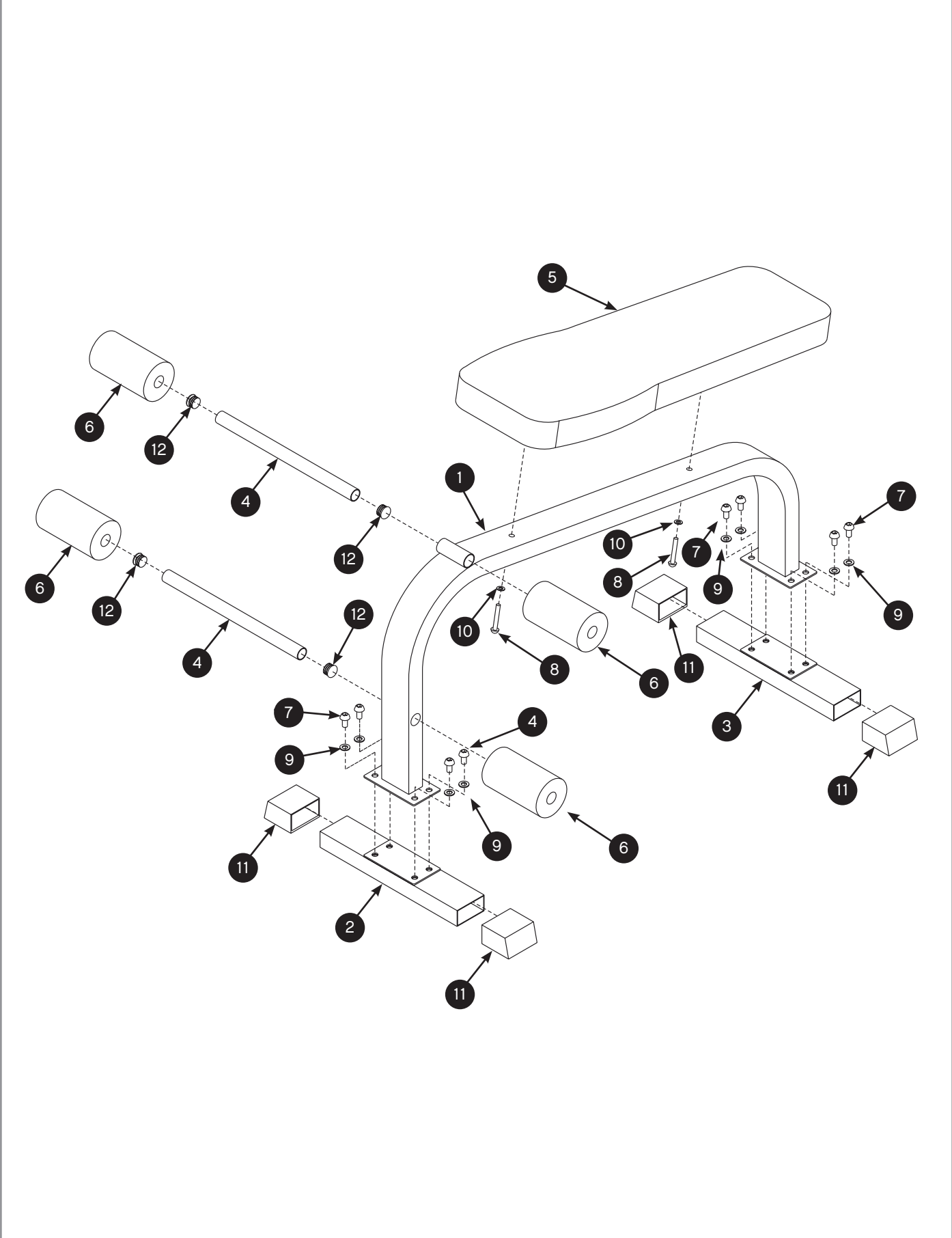
13 Allen Wrench x1



Spanner x1



EXPLODED VIEW



PARTS LIST

Part No.	Code	Description	QTY
1	PFMRE602-01	Frame	1
2	PFMRE602-02	Front Horizontal Beam	1
3	PFMRE602-03	Rear Horizontal Beam	1
4	PFMRE602-04	Foam Roller Tube	2
5	PFMRE602-05	Backrest	1
6	PFMRE602-06	Foam Roll	4
7	PFM404-18	M10 x 20mm Bolt	8
8	PFMS80-17	M8 x 55mm Bolt	2
9	PRK1-06	M10 Washer	8
10	PFM2006-27	M8 Washer	2
11	PFMRE602-07	38 x 75 mm Oblique Rubber Cap	4
12	PRK1-03	25 mm Round Inner Cap	4
13	PFMALLEEN10	Allen Wrench	1

USER INFORMATION

This product is suitable for user's weight of **100kg.**



This product is suitable for a max load of **150kg.**



Product Registration and Support
 Enregistrement et support du produit
 Productregistratie en ondersteuning
 Registro de productos y soporte
 Registro de produto e suporte
 Регистрация и поддержка продукта
 製品の登録とサポート

معدداو جت نم لى لى جست

产品注册和技术支持
 제품 등록 및 지원



www.reebokfitness.info/product-support



AB BOARD

For product information or service please contact:

UK: RFE Europa Ltd. 8 Clarendon Drive, Wymbush, Milton Keynes, MK8 8ED.

Customer Service: Tel: +44 (0)800 440 2459 Email: techsupport@rfeinternational.com

Europe: serviceeuropa@rfeinternational.com

Spain: serviciotecnico@rfeinternational.com

APAC (excluding Australia): RFE Asia Pacific, 2608-1609, 1 Hung To Road, Kwun Tong, Kowloon,
Hong Kong.

Customer Service: Tel: +852 34685027 Email: techsupportapac@rfeinternational.com

Australia: techsupportaustralia@rfeinternational.com

USA: RFE Sporting Goods Inc., 1300 Smith Road, STE 104, Austin, Texas, 78721, USA.

Customer Service: Tel: +1 (800) 215 6216 Email: techsupportusa@rfeinternational.com