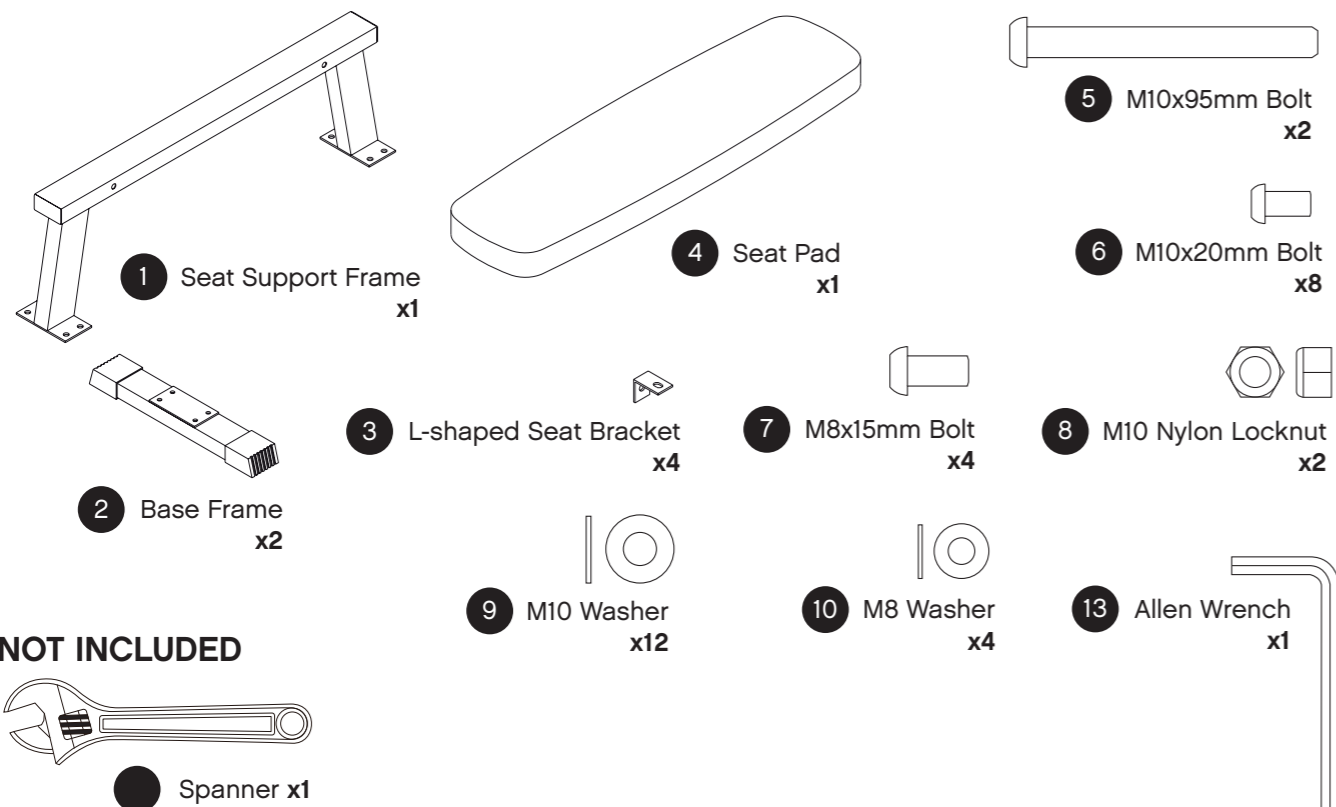


FLAT BENCH

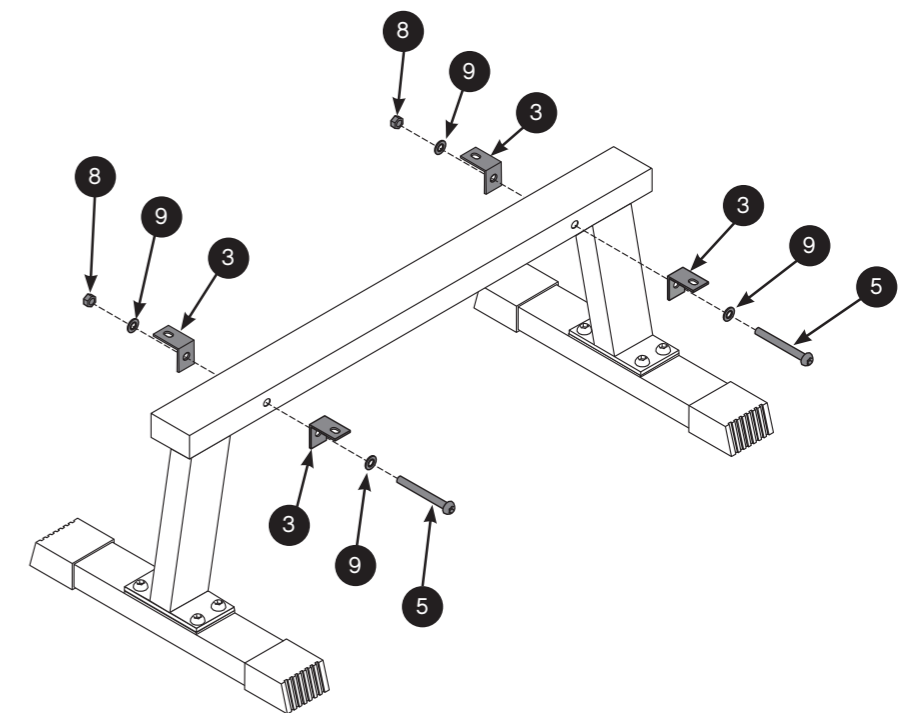
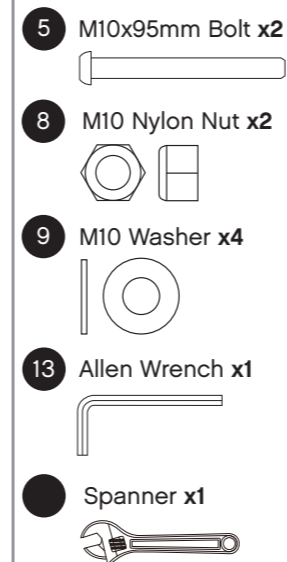
Assembly Manual



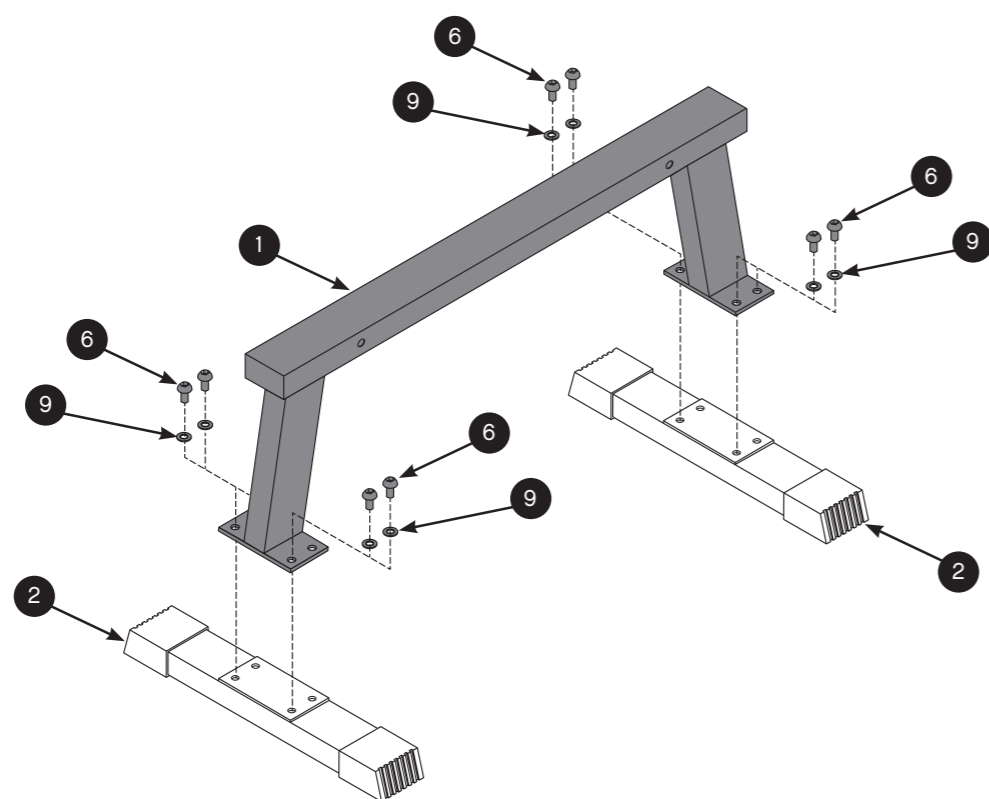
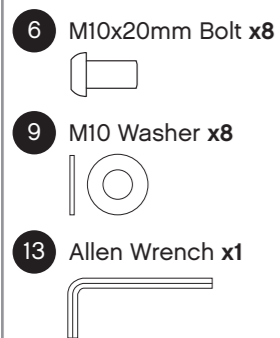
PARTS



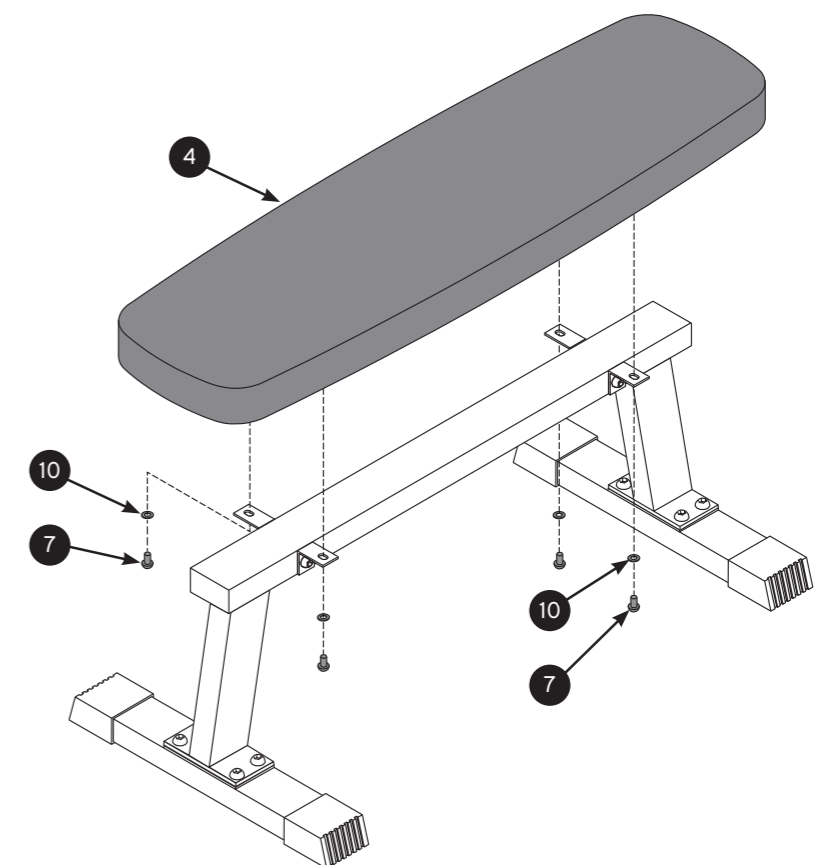
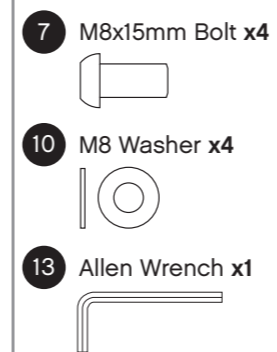
2



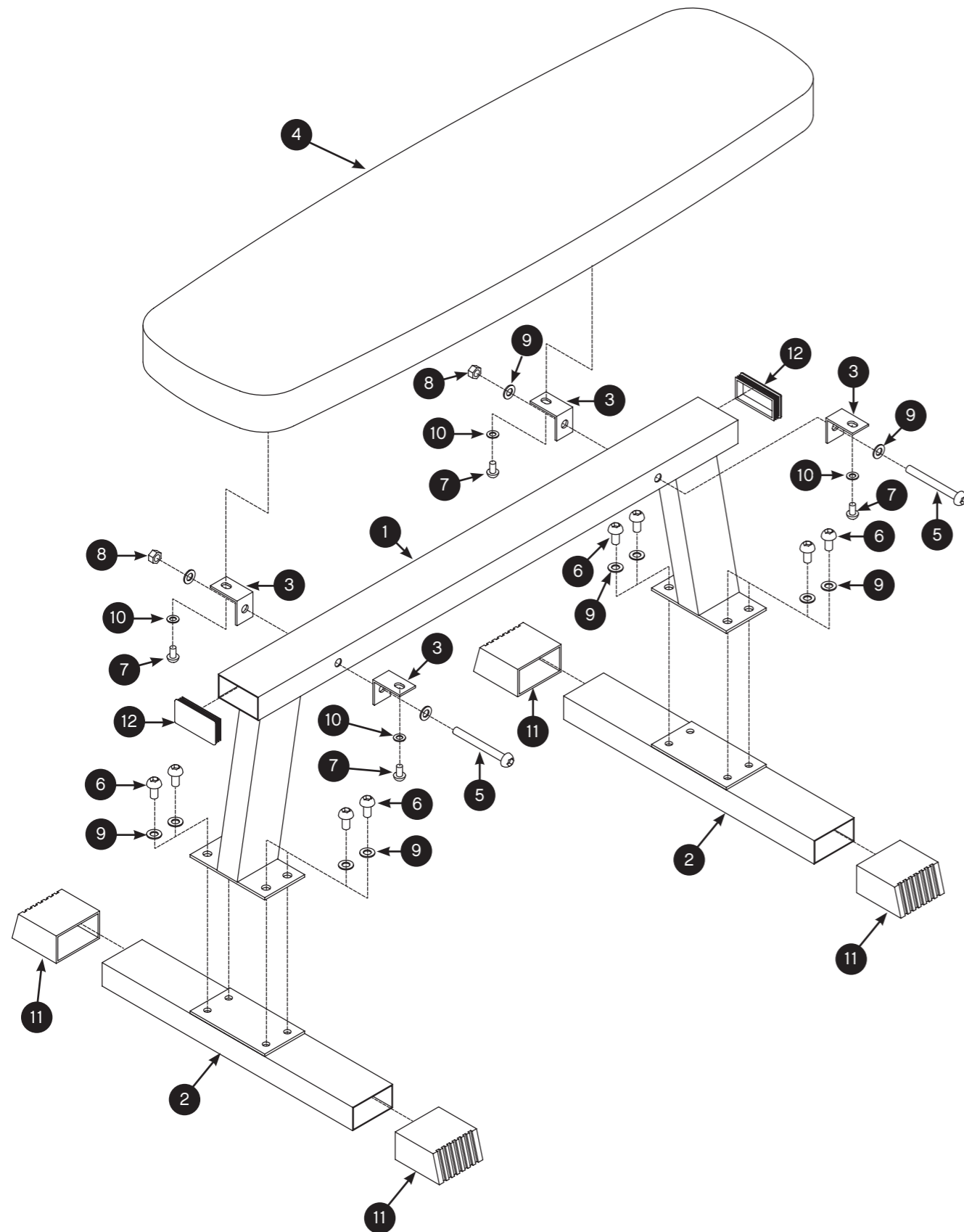
1



3



EXPLODED VIEW



PARTS LIST

Part No.	Code	Description	QTY
1	PFMRE603-01	Seat Support Frame	1
2	PFMRE603-02	Base Frame	2
3	PFMRE603-03	L-shaped Seat Bracket	4
4	PFMRE603-04	Seat Pad	1
5	PFM3008-17	M10 x 95mm Bolt	2
6	PRK3B-03	M10 x 20mm Bolt	8
7	PFM2006-23	M8 x 15mm Bolt	4
8	PRK1-05	M10 Nylon Locknut	2
9	PRK1-06	M10 Washer	12
10	PFM2006-27	M8 Washer	4
11	PFMRE602-07	38 x 75 mm Oblique Rubber Cap	4
12	PRK19A-09	38 x 75 mm Square Inner Cap	2
13	PFMALLE10	Allen Wrench	1

USER INFORMATION

This product is suitable for user's weight of **100kg.**



This product is suitable for a max load of **150kg.**



Product Registration and Support
 Enregistrement et support du produit
 Productregistratie en ondersteuning
 Registro de productos y soporte
 Registro de produto e suporte
 Регистрация и поддержка продукта
 製品の登録とサポート

مع دلو جت نم ليا لي جست

产品注册和技术支持
 제품 등록 및 지원



www.reebokfitness.info/product-support



FLAT BENCH

For product information or service please contact:

UK: RFE Europa Ltd. 8 Clarendon Drive, Wymbush, Milton Keynes, MK8 8ED.

Customer Service: Tel: +44 (0)800 440 2459 Email: techsupport@rfeinternational.com

Europe: serviceeuropa@rfeinternational.com

Spain: serviciotecnico@rfeinternational.com

APAC (excluding Australia): RFE Asia Pacific, 2608-1609, 1 Hung To Road, Kwun Tong, Kowloon, Hong Kong. Email: techsupportapac@rfeinternational.com

Australia: techsupportaustralia@rfeinternational.com

USA: RFE Sporting Goods Inc., 1300 Smith Road, STE 104, Austin, Texas, 78721, USA.

Customer Service: Tel: +1 (800) 215 6216 Email: techsupportusa@rfeinternational.com