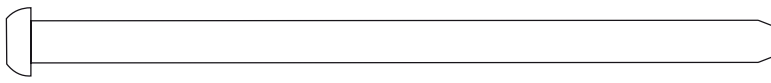


UTILITY BENCH

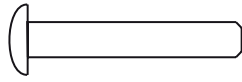
Assembly Manual



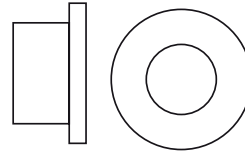
HARDWARE PACK



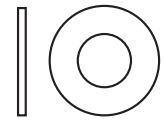
10 M10x170mm Bolt
x3



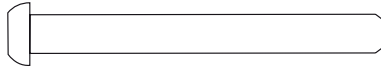
13 M6x40mm Bolt
x8



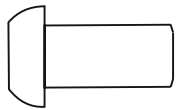
18 Inner Washer
x2



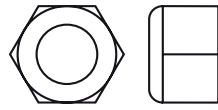
15 M10 Washer
x12



11 M10x90mm Bolt
x2



12 M10x20mm Bolt
x2



14 M10 Nylon Locknut
x5

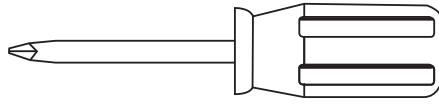


26 Allen Wrench
x1

NOT INCLUDED



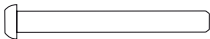
Spanner x1



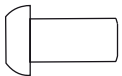
Screwdriver x1

1

11 M10x90mm Bolt x2



12 M10x20mm Bolt x2



14 M10 Nylon Locknut
x2



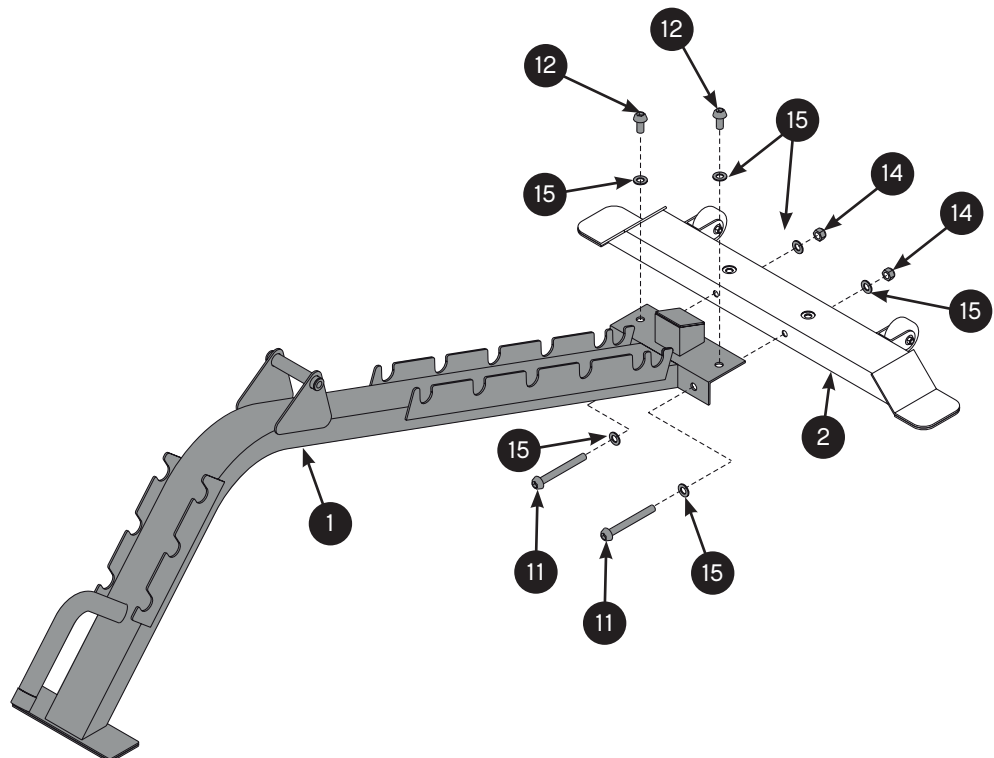
15 M10 Washer x6



26 Allen Wrench x1



Spanner x1



2

10 M10x170mm Bolt x3



14 M10 Nylon Locknut x3



15 M10 Washer x6



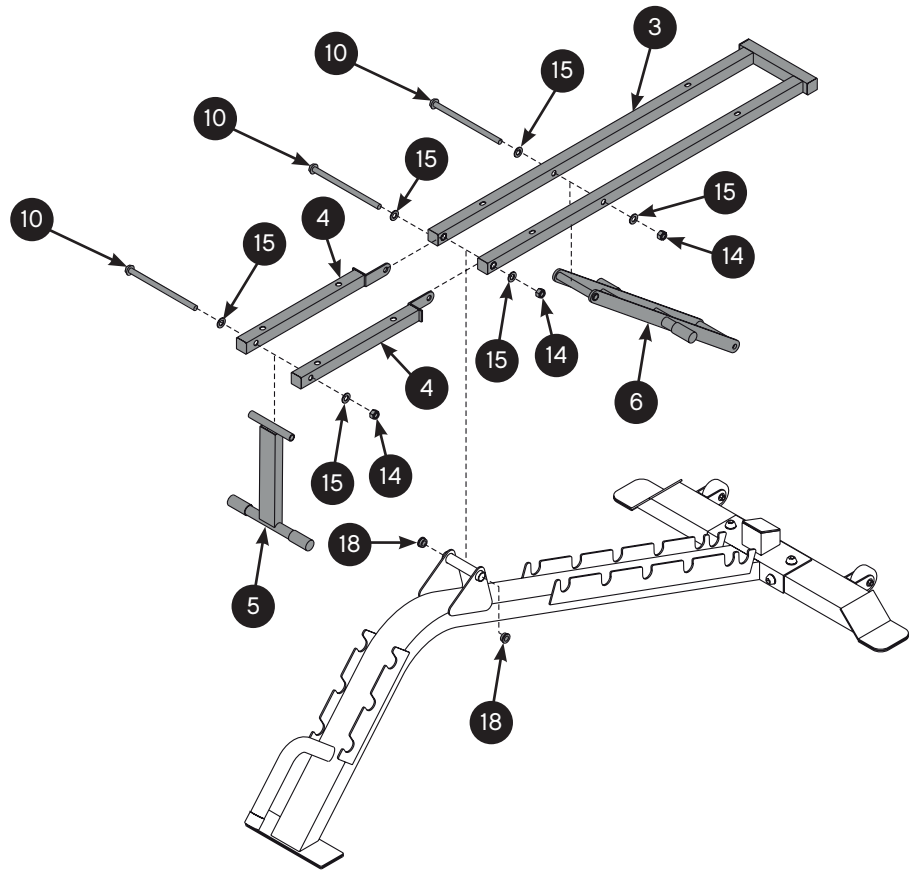
18 Inner Washer x2



26 Allen Wrench x1

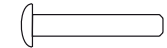


Spanner x1



3

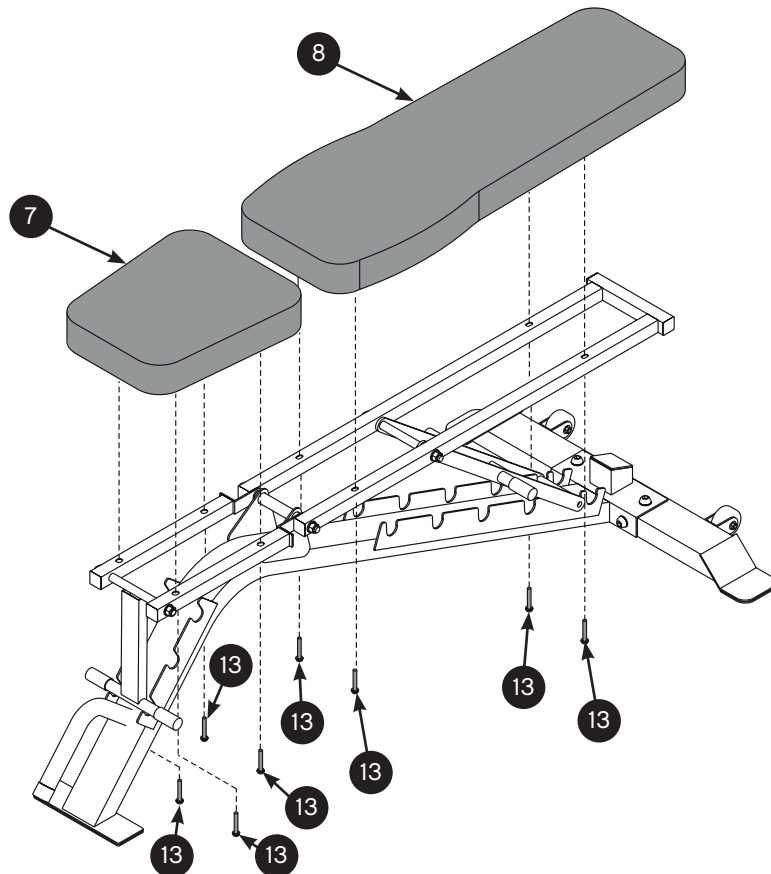
13 M6x40mm x8



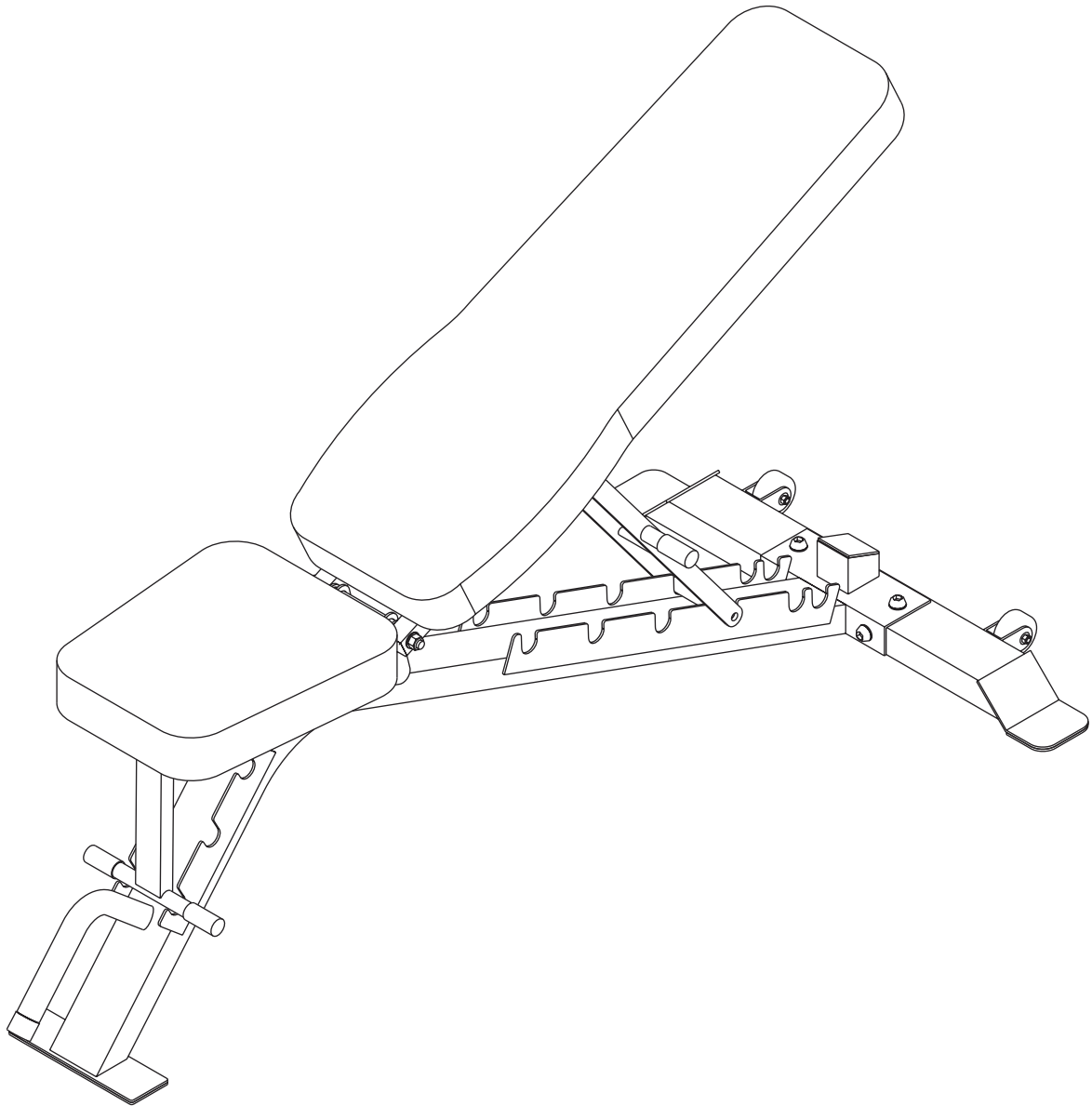
26 Allen Wrench x1



Spanner x1



4



USER INFORMATION

This product is suitable for user's weight of **100kg**.



This product is suitable for a max load of **150kg**.



Product Registration and Support
Enregistrement et support du produit
Productregistratie en ondersteuning
Registro de productos y soporte
Registro de produto e suporte
Регистрация и поддержка продукта
製品の登録とサポート

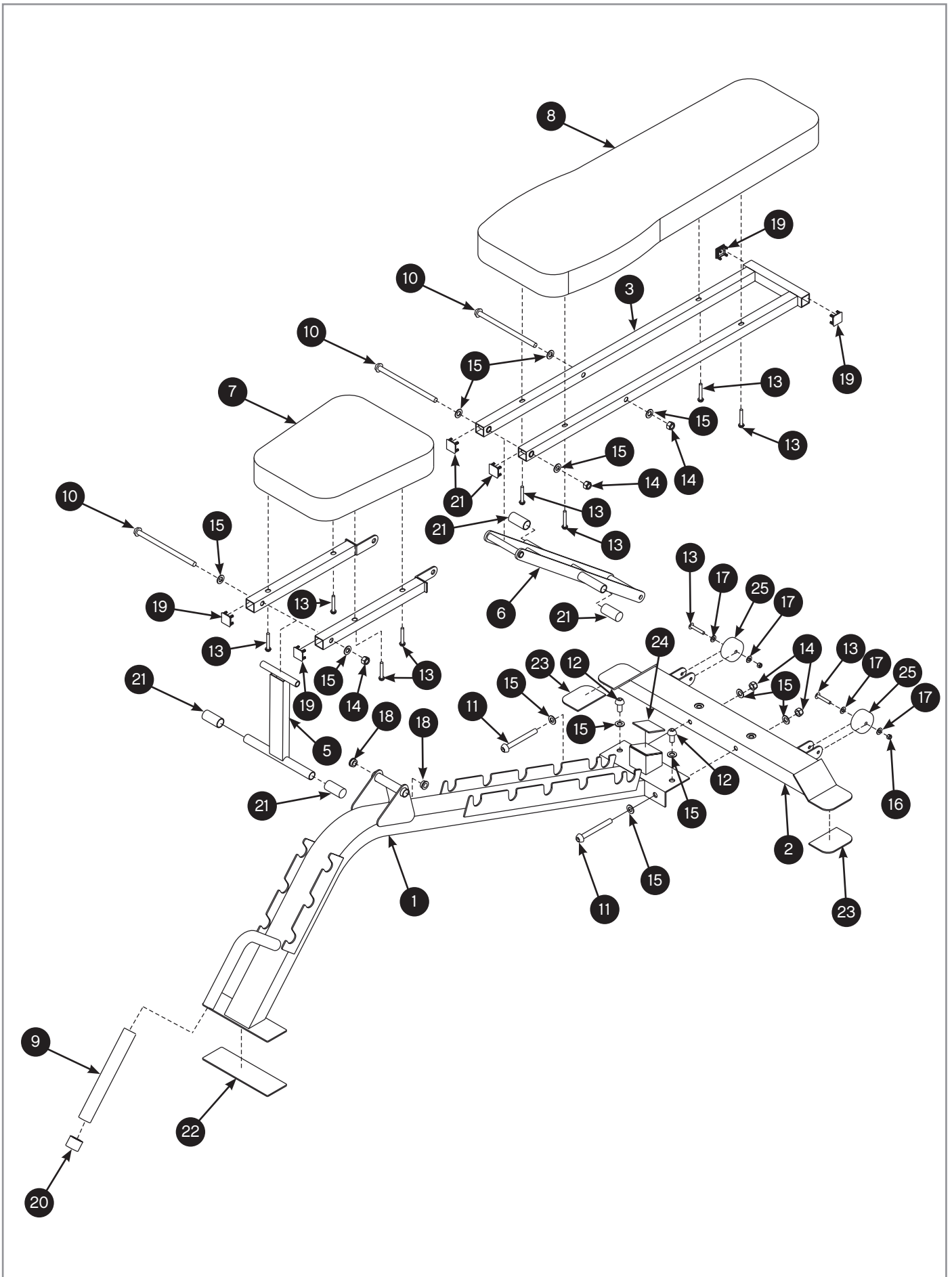
معدلاو جت نم لا لي جست

产品注册和技术支持

제품 등록 및 지원



www.reebokfitness.info/product-support



Part No.	Code	Description	QTY
1	PFM0002-01	Frame	1
2	PFM0002-02	Rear Horizontal Beam	1
3	PFM0002-03	Backrest Tube	1
4	PFM0002-04	Seat Tube	2
5	PFM0002-05	Seat Support Bar	1
6	PFM0002-06	Backrest Support Bar	1
7	PFM0002-07	Seat	1
8	PFM0002-08	Backrest	11
9	PFM0002-09	Ø32xØ23x240 Foam Pad	1
10	PFM0002-10	M10 x 170mm Bolt	3
11	PRKG19A-04	M10 x 90mm Bolt	2
12	PFM404-18	M10 x 20mm Bolt	2
13	PFMCS704MF-18	M6 x 40mm Bolt (A - 8) (B - 2)	10
14	PFMS80-27	M10 Nylon Locknut	5
15	PRK1-06	M10 Washer	12
16	PHHBXROK002-26	M6 Nylon Locknut	2
17	PFMS80-22	M6 Washer	4
18	PFMH1001-46	Inner Washer #12.5	2
19	PFM2240-32	25mm Square Inner Cap	6
20	PFM0002-11	25mm Round Angled Cap	1
21	PFM0002-12	Ø19*45mm Handle	4
22	PFM0002-13	200*60 Rubber Strip	1
23	PFM0002-14	85*60 Rubber Strip	2
24	PFM0002-15	50*50 Rubber Strip	1
25	PFMCB804DX-10	Wheel	1
26	PFMALLEN10	Allen Wrench	1



UTILITY BENCH

For product information or service please contact:

UK: RFE Europa Ltd. 8 Clarendon Drive, Wymbush, Milton Keynes, MK8 8ED.

Customer Service: Tel: +44 (0)800 440 2459 Email: techsupport@rfeinternational.com

Europe: serviceeuropa@rfeinternational.com

Spain: serviciotecnico@rfeinternational.com

APAC (excluding Australia): RFE Asia Pacific, 2608-1609, 1 Hung To Road, Kwun Tong, Kowloon, Hong Kong.

Customer Service: Tel: +852 34685027 Email: techsupportapac@rfeinternational.com

Australia: techsupportaustralia@rfeinternational.com

USA: RFE Sporting Goods Inc., 1300 Smith Road, STE 104, Austin, Texas, 78721, USA.

Customer Service: Tel: +1 (800) 215 6216 Email: techsupportusa@rfeinternational.com