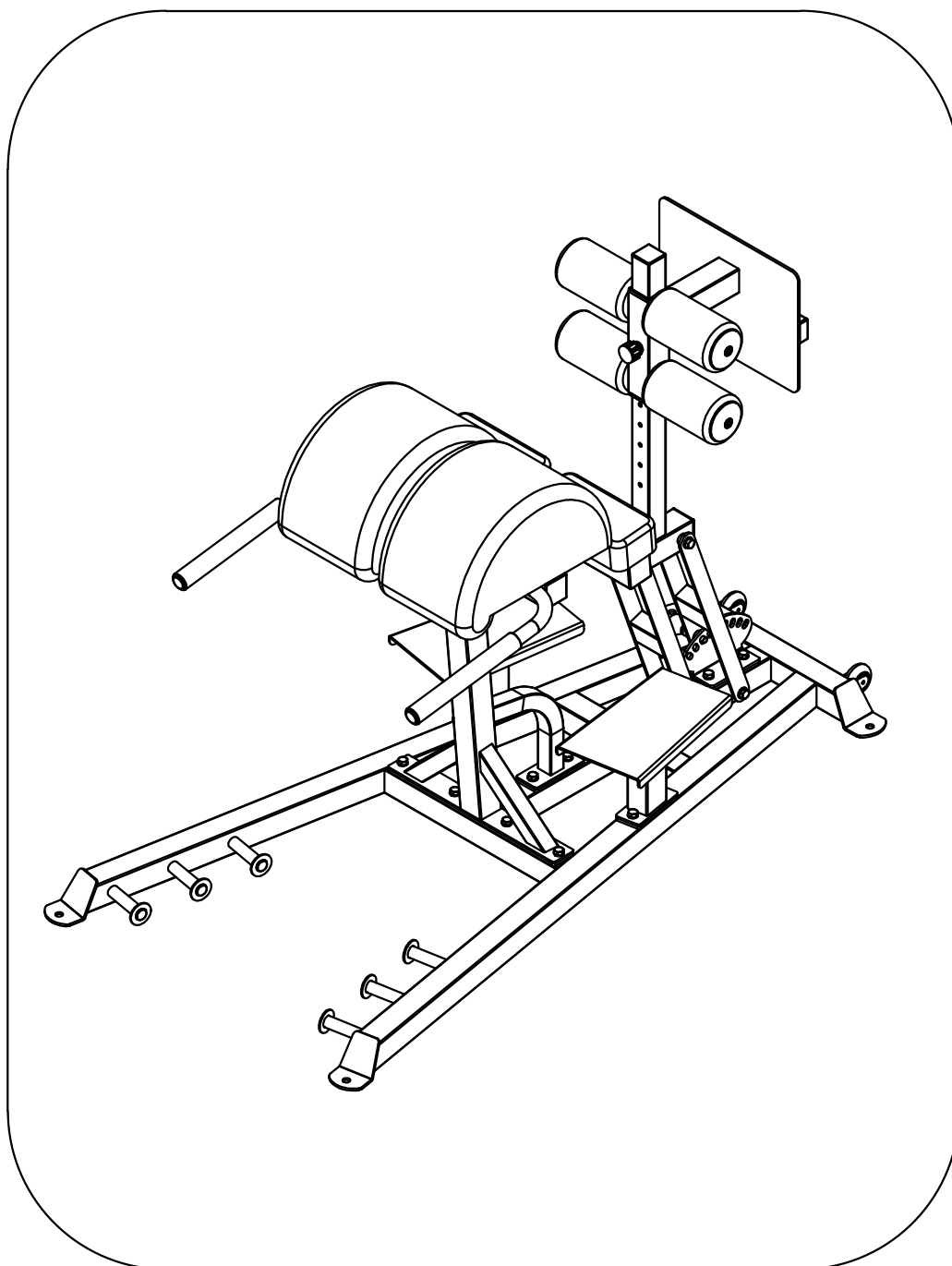


# Omega Series RNC11 Roman Chair Owner's Manual



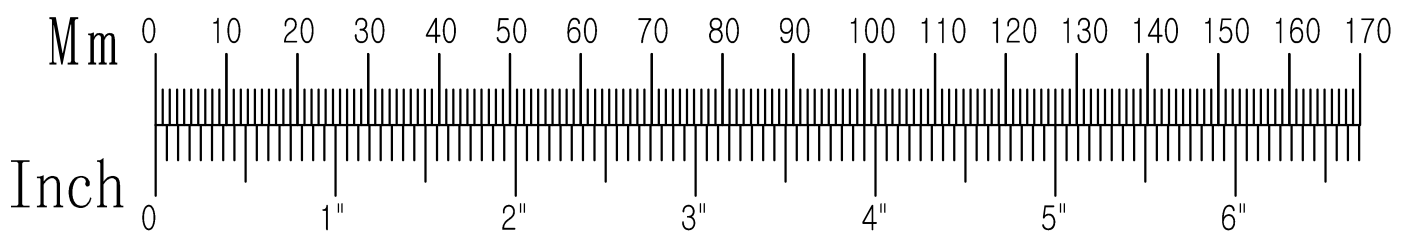
## **! CAUTION**

Read all precautions  
and instructions in this  
manual before using this equipment

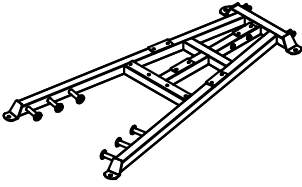
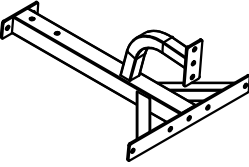
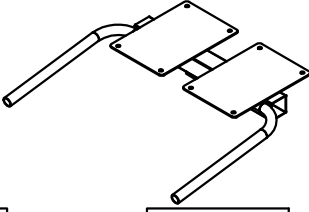
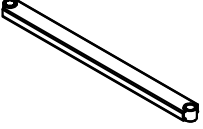
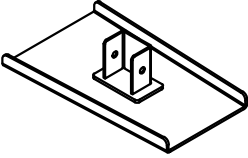
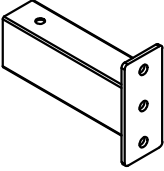
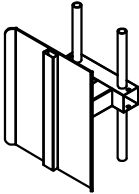
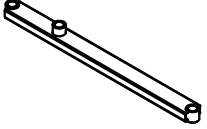
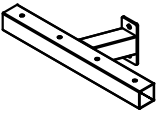

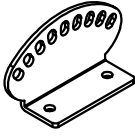
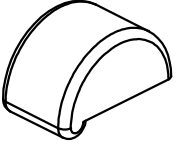
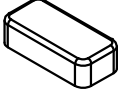
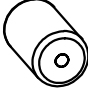
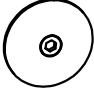


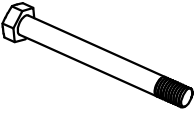
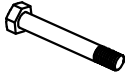







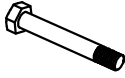
※※※Please read operation manual carefully※※※

1. Please keep the box and the manual after installing the machine.
2. Check the stability of the bolts regularly.
3. Please install the machine in a commodious place.
4. Put the machine on the level ground, and use a mat to protect the floor.
5. Please consult to your doctor, physician before using any exercise equipments.
6. There are slip proof cover on the nut (little nylon circle on the nut); please tighten them with wrench.
7. The product is only for Domestic use not for Commercial purposes.
8. Please tighten the screws; otherwise it might be dangerous to use.
9. Please do not alter the machine in any way it might be dangerous to change and mend the machine.
10. Store in the place where is away from moisture, salt (near Pool) high temperature and under sun.
11. For maintenance and cleaning exercise machines Please clean the dirt with detergent scour, using dry rag and clean water (do not use gas, dilution and other chemicals).
12. Do not put your hands in the moving part of the machine when you are doing exercise.

Thank you for choosing our Fitness products, We hope you enjoy using and you get maximum benefit of it.

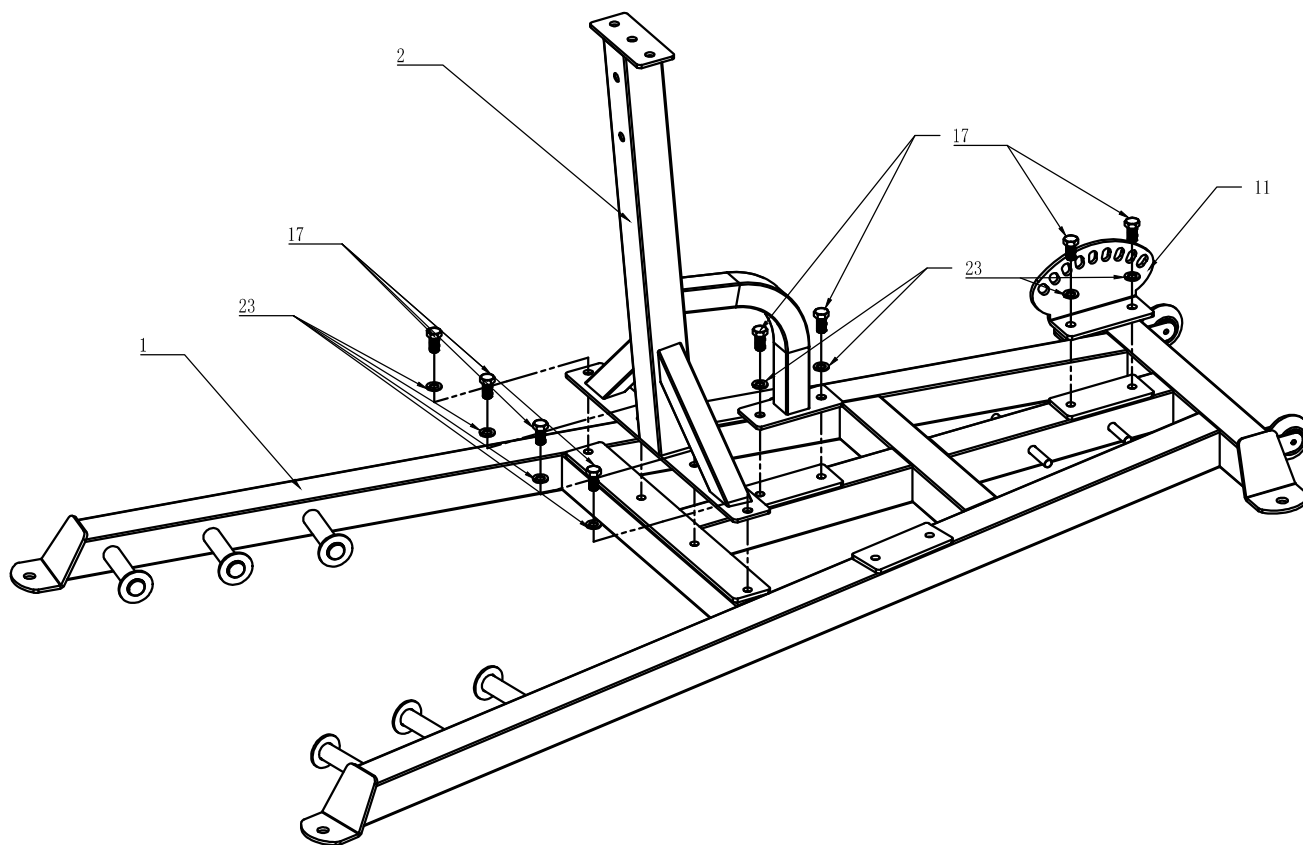


PART LIST

			
1 1 PC	2 1 PC	3 1 PC	4 3 PCS
			
5 2 PCS	6 2 PCS	7 1 PC	8 1 PC
			
9 1 PC	10 1 PC	11 1 PC	12 2 PCS
			
13 2 PCS	14 4 PCS	15 4 PCS	16 1 PC
M12*20 Bolt	M12*140 Bolt	M12*90 Bolt	M10*20 Bolt
			
17 14 PCS	18 2 PCS	19 2 PCS	20 4 PCS
M8*20 Bolt	M8*75 Bolt	M12 Washer	M10 Washer
			
21 8 PCS	22 4 PCS	23 27 PCS	24 4 PCS
M8 Washer	M12 Nut	M12*80 Bolt	
			
25 12 PCS	26 8 PCS	27 1 PC	

# Installation Instruction

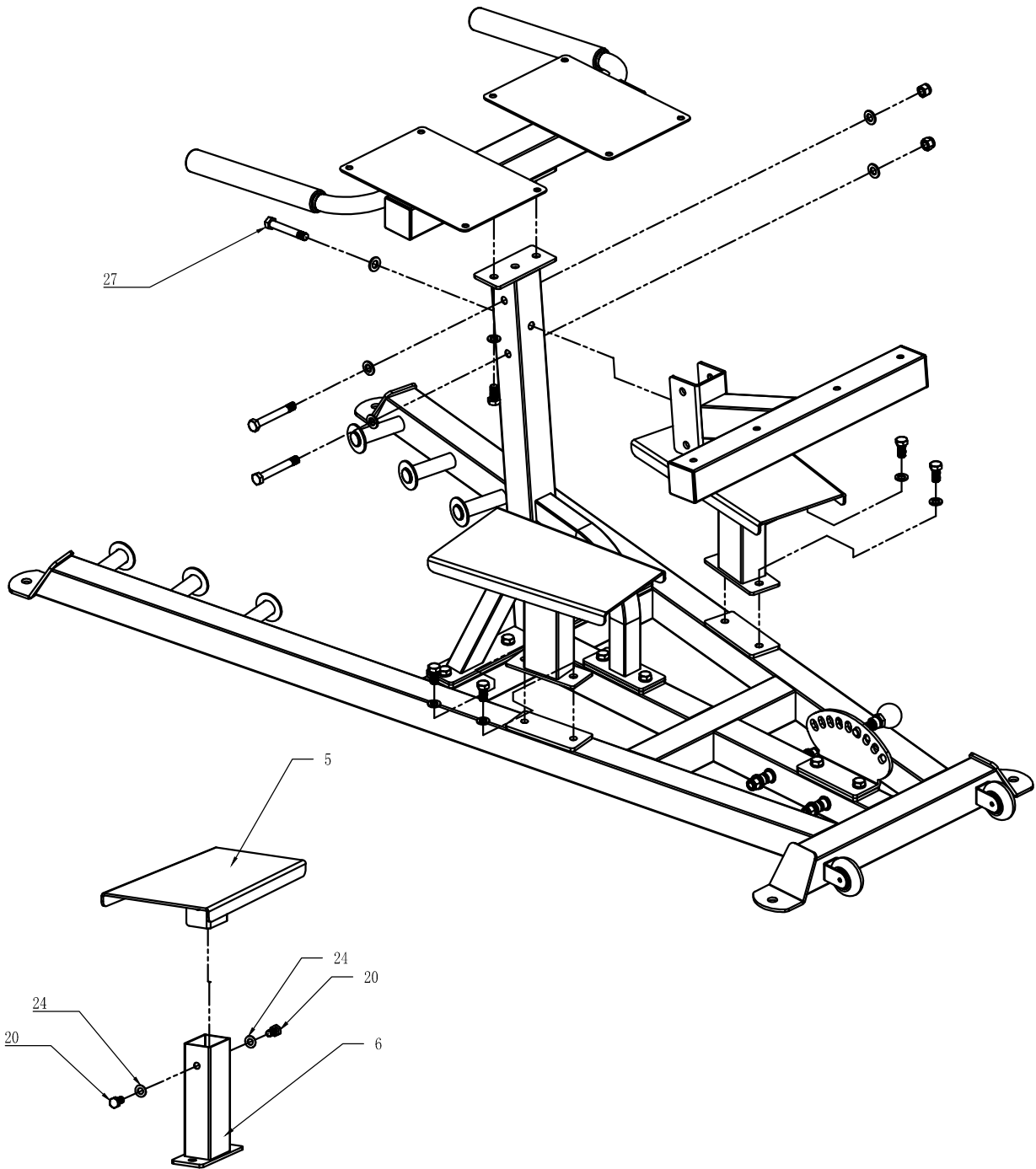
## Step 1



※ There anti-slip rubber damp in the nut .Please tighten it in tool.

# Installation Instruction

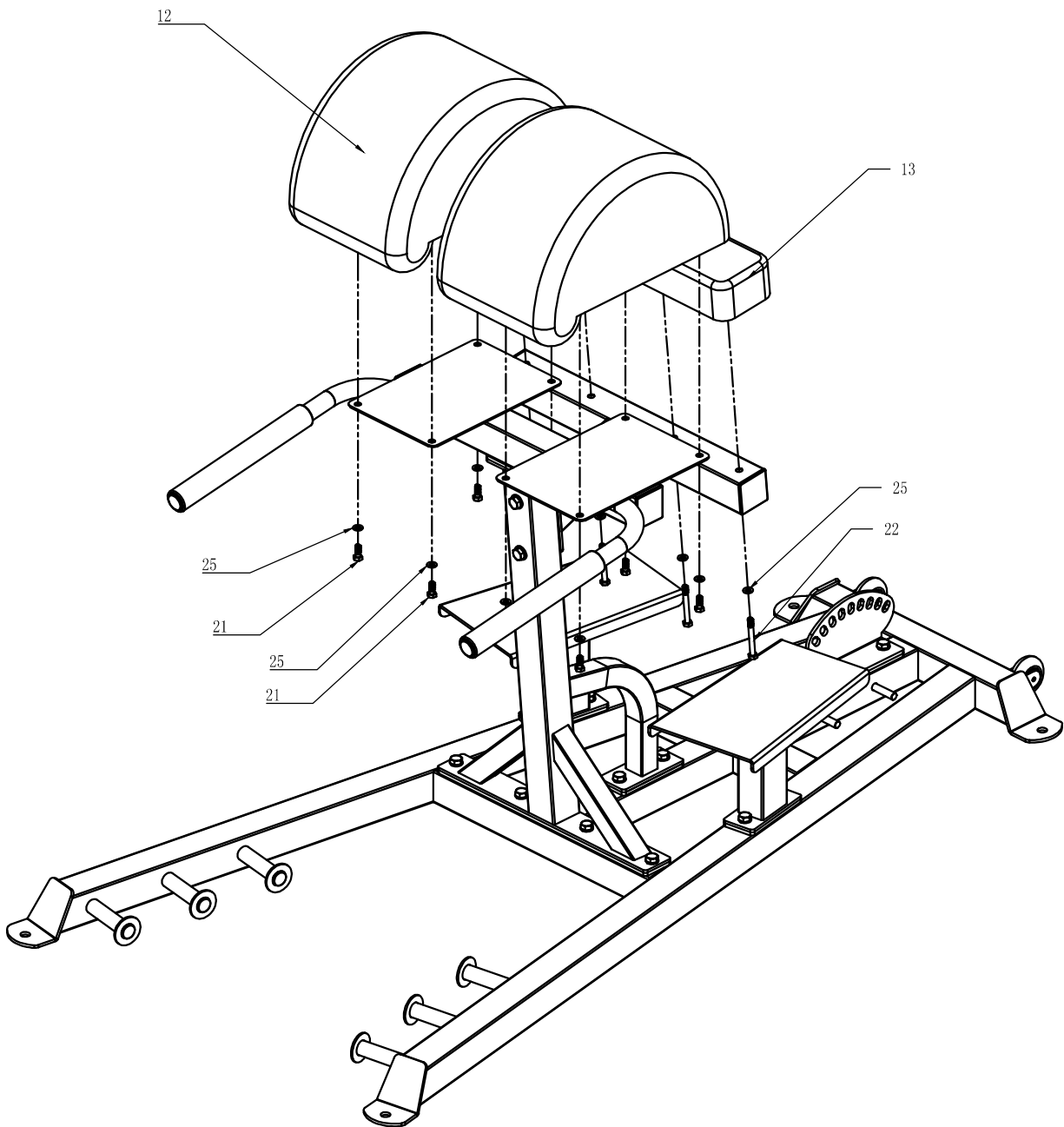
## Step 2



※ There anti-slip rubber damp in the nut .Please tighten it in tool.

# Installation Instruction

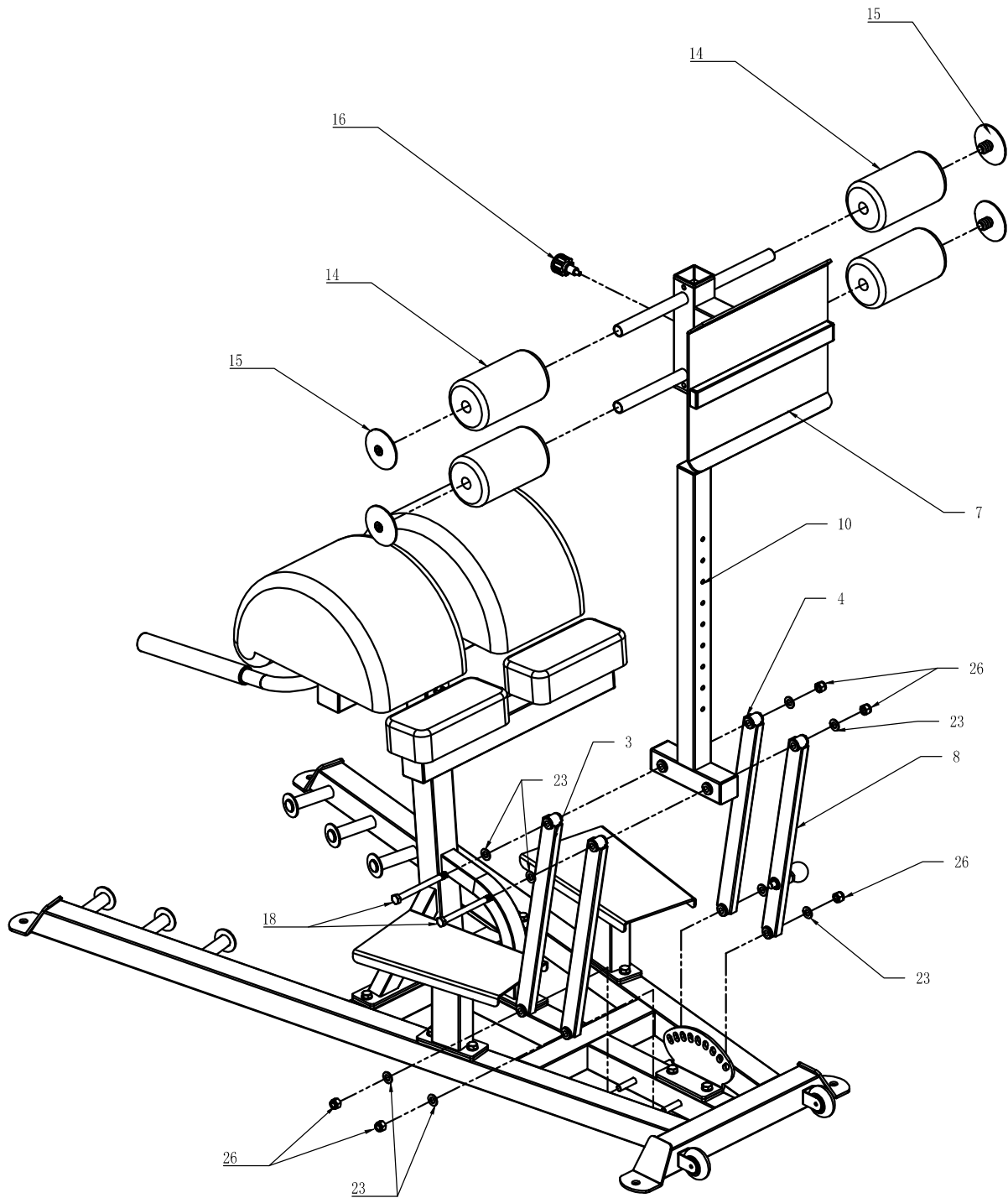
## Step 3



※ There anti-slip rubber damp in the nut .Please tighten it in tool.

# Installation Instruction

## Step 4



※ There anti-slip rubber damp in the nut .Please tighten it in tool.