

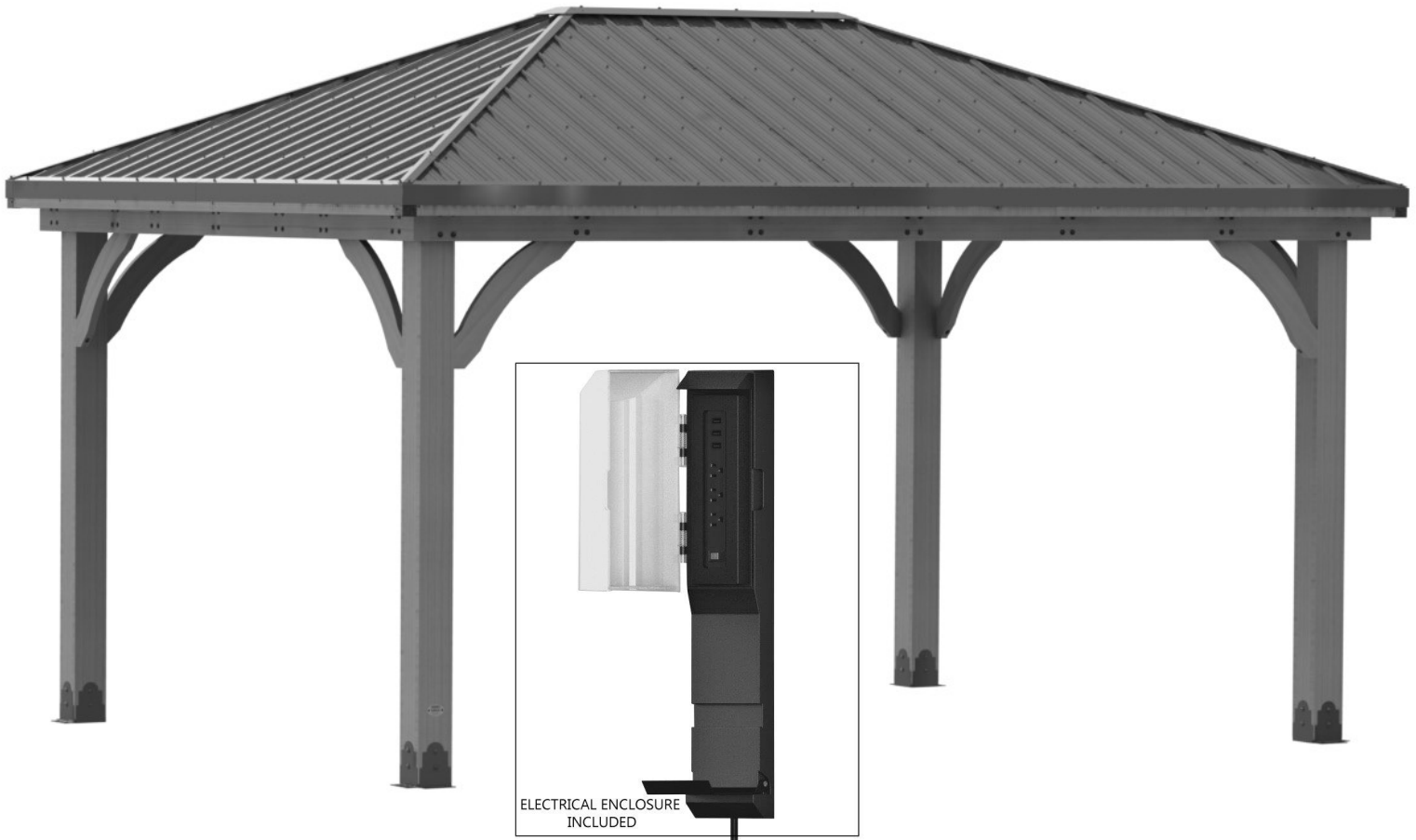


Manufactured by:  
 Backyard Discovery  
 3305 Airport Drive, Pittsburg, KS 66762  
 800-856-4445

Basepoint Business Centre: Rivermead Drive, Westlea, Swindon SN5 7EX Phone: 0800-118-2476 J.P. Coenstraat 7, The Bridge, The Hague, 2595 WP, Netherlands  
 Phone: 08005678990

# 16x12 Barrington Gazebo

## MODEL # : 2206052



Please visit [www.backyarddiscovery.com](http://www.backyarddiscovery.com)  
 For the most up to date assembly manual, to register your product, or to order replacement parts *Para obtener instrucciones en español, visite*  
[www.backyarddiscovery.com](http://www.backyarddiscovery.com)



EASY STEP-BY-STEP  
 3D INTERACTIVE INSTRUCTIONS  
 DOWNLOAD THE FREE APP



INSTALLATION  
 SERVICES  
 AVAILABLE!  
*See inside for details*



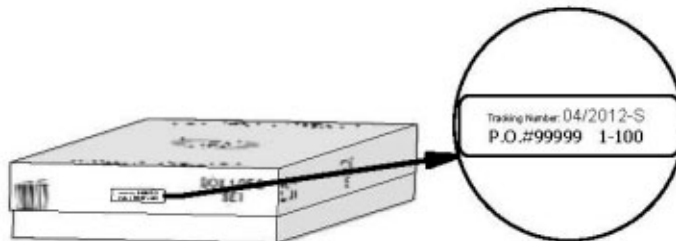
**Please read entire booklet completely before beginning the assembly process**

**Please retain these instructions and your receipt for future reference. Keep them in a safe place where you can refer to them as needed. In order to provide you with the most efficient service, it is required that you provide us with the part numbers when ordering parts.**

### For Your Records:

Please take time and fill out the information below. This information will be needed for warranty issues.

Where Purchased: \_\_\_\_\_  
 Date of Purchase: \_\_\_\_\_  
 Installation Date: \_\_\_\_\_  
 Installed by: \_\_\_\_\_  
 Tracking Number: \_\_\_\_\_



### Tracking Number Reference Label

Tracking ID number on the carton and on the bottom of the vertical ID plate are included for tracking purposes associated with warranty claims.

This Limited Warranty by Backyard Discovery applies to products manufactured under the Backyard Discovery brand or its other brands including but not limited to Backyard Botanical, Adventure Playsets, and Leisure Time Products.

Backyard Discovery warrants that this product is free from defect in materials and workmanship for a period of one (1) year from the original date of purchase. This one (1) year warranty covers all parts including wood, hardware, and accessories. All wood carries a five (5) year pro-rated warranty against rot and decay. Refer to the schedule below for charges associated with replacement of parts under this Limited Warranty. In addition, Backyard Discovery will replace any parts within the first 30 days from date of purchase found to be missing from or damaged in the original packaging.

This warranty applies to the original owner and registrant and is non-transferable. Regular maintenance is required to assure maximum life and performance of this product. Failure by the owner to maintain the product according to the maintenance requirements may void this warranty. Maintenance guidelines are provided in the Owner's Manual.

This Limited Warranty does not cover:

- Labor for any inspection
- Labor for replacement of any defective item(s)
- Incidental or consequential damages
- Cosmetic defects which do not affect performance or integrity of a part or the entire product
- Vandalism, improper use, failure due to loading or use beyond the capacities stated in the applicable Assembly Manual.
- Acts of nature including but not limited to wind, storms, hail, floods, excessive water exposure
- Improper installation including but not limited to installation on uneven, unlevel, or soft ground
- Minor twisting, warping, checking, or any other natural occurring properties of wood that do not affect performance or integrity

Backyard Discovery products have been designed for safety and quality. Any modifications made to the original product could damage the structural integrity of the unit leading to failure and possible injury. Modification voids any and all warranties and Backyard Discovery assumes no liability for any modified products or consequences resulting from failure of a modified product.

This product is warranted for RESIDENTIAL USE ONLY. Under no circumstance should a Backyard Discovery product be used in public settings. Such use may lead to product failure and potential injury. Any and all public use will void this warranty. Backyard Discovery disclaims all other representations and warranties of any kind, express or implied.

### **Pro Rated Part Replacement Schedule**

<b><u>Product Age</u></b>	<b><u>Customer Pays</u></b>
<b>All Parts</b>	
0-30 days from date of purchase	\$0 and free shipping
31 days to 1 year	\$0 + S&H
<b>Wood Rot and Decay Only</b>	
1 year	\$0 and free shipping
2 year	20% + S&H
3 year	40% + S&H
4 year	60% + S&H
5 year	80% + S&H
Over 5 years	100% + S&H



# WARNING

**IT IS IMPORTANT TO CHECK AND TIGHTEN ALL HARDWARE AT THE BEGINNING AND DURING THE SEASON AS THEY MAY LOOSEN DUE TO WOOD EXPANSION AND CONTRACTION.**

- **DO NOT climb or walk on the roof for any reason**
- **Requires two or more people to assemble safely**
- **Check for underground utilities before digging or driving stakes into the ground.**
- **Check carefully for overhead lines and ensure there is at least 6ft (2m) clearance from any overhead electrical wires.**
- **Permanent structures may require a building permit. As the purchaser and or installer of this product you are advised to consult local planning, zoning and building inspection departments for guidance on applicable building codes and/or zoning requirements.**
- Wood is NOT flame retardant and will burn. Grills, fire pits and chimineas are a fire hazard if place too close to your structure.
- Wear gloves to avoid injury during installation.
- During installation, follow all safety warnings provided with your tools and use safety glasses.
- Check all nuts and bolts twice monthly during the usage season and tighten as required.(But not so tight that you crack the wood) It is particularly important that this procedure be followed at the beginning of each season.
- Oil all metallic moving parts monthly during the usage period.
- Check all coverings for bolts and sharp edges twice monthly during usage season to be certain they are in place. Replace when necessary. It is especially important to do this at the beginning of each new season.
- For rusted areas on metallic members such as hinges, brackets, etc. sand and repaint, using a non lead-based paint meeting the requirements of Title 16 CRF Part 1303.
- Inspect wood parts monthly. The grain of the wood sometimes will lift in the dry season causing splinters to appear. Light sanding may be necessary to maintain a safe environment. Treating your Product with protection (sealant) after sanding will help prevent severe checking/splitting and other weather damage.
- We have applied a waterborne translucent stain to your unit. This is done for color only. Once or twice a year, depending on your climate conditions, you must apply some type of protection (sealant) to the wood of your unit. Prior to the application of sealant, lightly sand any "rough" spots on your set. Please note this is a requirement of your warranty.

**OWNERS SHALL BE RESPONSIBLE FOR MAINTAINING THE LEGIBILITY OF THE WARNING LABELS**



***Your Backyard Discovery structure is designed and constructed of quality materials. As with all outdoor products it will weather and wear. To maximize the enjoyment, safety and life of your structure it is important that you properly maintain it.***

---

### About Our Wood

Backyard Discovery uses 100% Cedar (C. Lanceolata) wood. Although we take great care in selecting the best quality lumber available, wood is still a product of nature and susceptible to weathering which can change the appearance of your set.

#### **What causes weathering? Does it affect the strength of my product?**

One of the main reasons for weathering is the effects of water (moisture); the moisture content of the wood at the surface is different than the interior of the wood. As the climate changes, moisture moves in or out of the wood, causing tension which can result in checking and or warping. You can expect the following due to weathering. These changes will not affect the strength of the product:

**1. Checking** is surface cracks in the wood along the grain. A post (4" x 4") will experience more checking than a board (1" x 4") because the surface and interior moisture content will vary more widely than in thinner wood.

**2. Warping** results from any distortion (twisting, cupping) from the original plane of the board and often happens from rapid wetting and drying of the wood.

**3. Fading** happens as a natural change in the wood color as it is exposed to sun-light and will turn grey over time.

#### **How can I reduce the amount of weathering to wood product?**

**1.** Your wood product is coated with a water-based stain. Sunlight will break down the coating, so we recommend applying a water repellent or stain on a yearly basis (see your local stain and paint supplier for a recommended product). You must apply some type of protection (sealant) to the wood of your product. **Please note this is a requirement of your warranty.** Most weathering is just the normal result of nature and will not affect safety. However if you are concerned that a part has experienced a severe weathering problem please call our customer service department for further assistance.

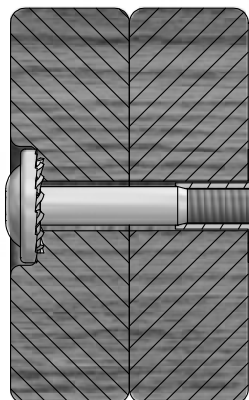
**2.** Inspect wood parts monthly. The grain of the wood sometimes will lift in the dry season causing splinters to appear. Light sanding may be necessary to maintain a safe environment. Treating your Product with protection (sealant) after sanding will help prevent severe checking/ splitting and other weather damage.





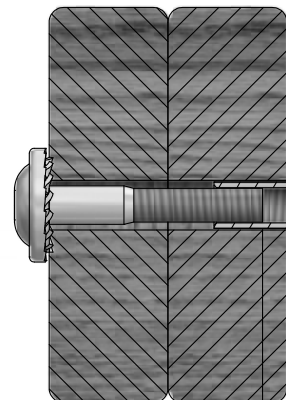
### Protrusion Hazard

### Incorrect



If you see exposed threads and your bolt protrudes beyond the T-Nut you may have over tightened the bolt or used incorrect hardware. If you've overtightened, remove the bolt and add washers to eliminate the protrusion.

### Correct

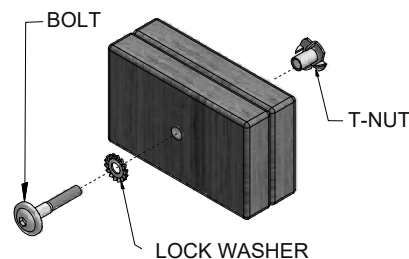


1/8"

## Proper Hardware Assembly

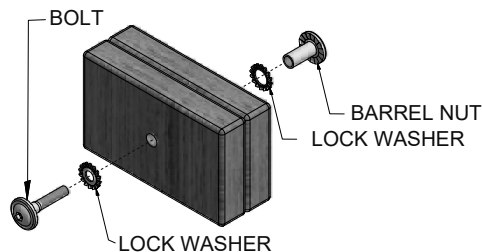
### Bolt and T-Nut Assembly

Tap T-nut into the provided hole. Insert your bolt through the lock washer and insert into the provided hole opposite from the T-Nut. Turn clockwise to thread into T-nut. Do not completely tighten until instructed.



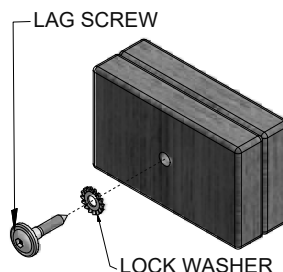
### Bolt and Barrel Nut Assembly

Insert barrel nut through the lock washer and press the pair through the provided hole. Insert your bolt through the second lock washer and insert the pair into the provided hole opposite from the barrel nut. Turn clockwise to thread into the barrel nut. Do not completely tighten until instructed.



### Lag Assembly

Normally there will be a pre-drilled pilot hole on assemblies that require a Lag Screw. If there is no pilot hole, line up the two boards as they are to be attached and use the factory drilled hole as a guide to drill another pilot hole into the adjoining board. This will keep the wood from splitting. Only a lock washer is required for steps with Lag Screws.

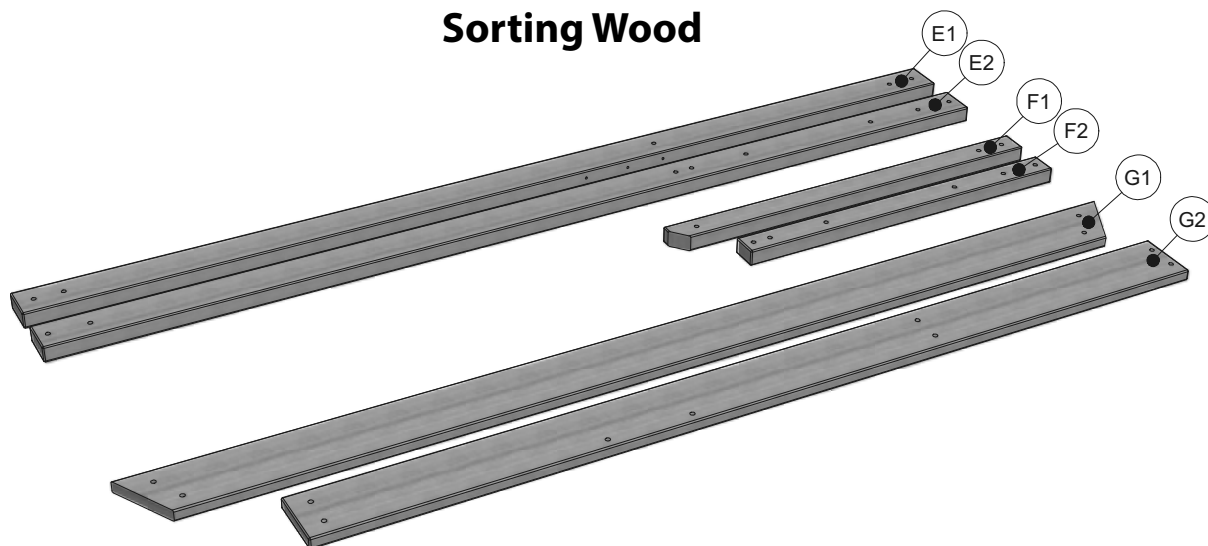




### ASSEMBLY TIP:

Keep an eye out for these boxes which will contain helpful pictures and information making the assembly process as quick and painless as possible.

## Sorting Wood



When removing the wood from the boxes we recommend arranging them by part number before you begin assembly. This will allow for faster assembly and easily identify any parts that may be missing or damaged.

## Sorting Hardware

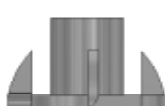
**NUT BARREL**  
H100545



**SCREW**  
H100695



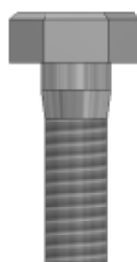
**T-NUT**  
H100699



**WASHER FLAT**  
H100706



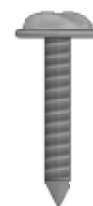
**BOLT HEX**  
H100716



**BOLT**  
H100718



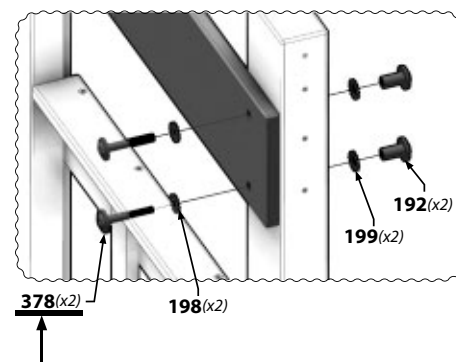
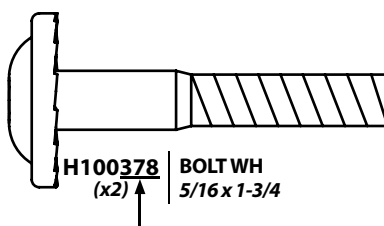
**SCREW PWH**  
H100742

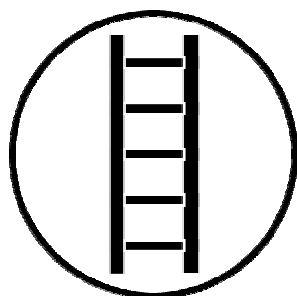
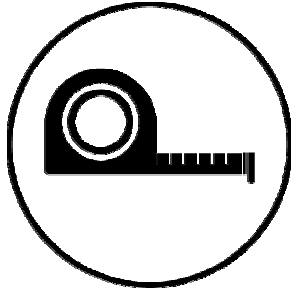
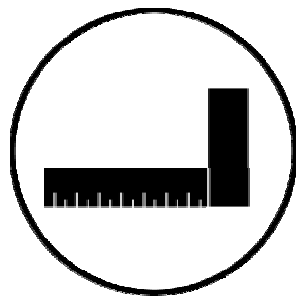
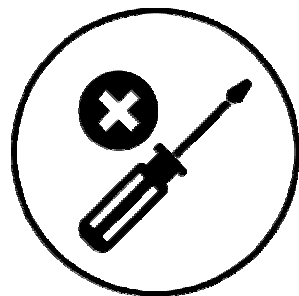
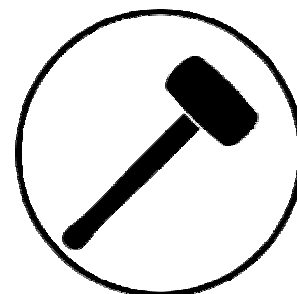
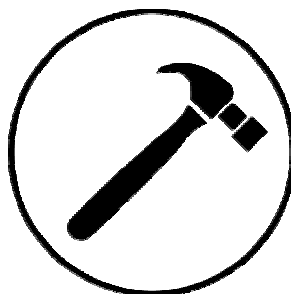
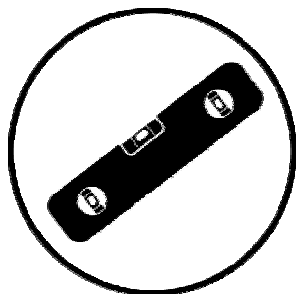
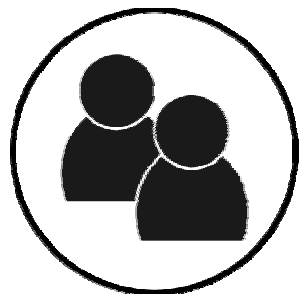


To help with assembly we recommend sorting your hardware bags with the seven digit alpha-numeric number printed on the bags or by hardware type (i.e. bolts, nuts, etc.). Organizing your hardware will make assembly easier.

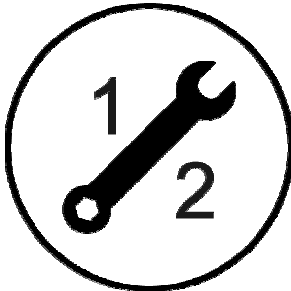
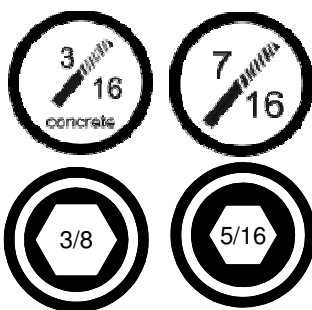
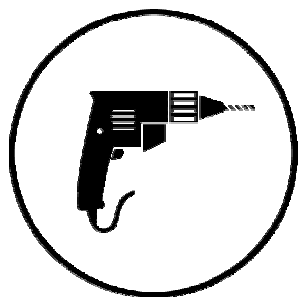
## Hardware Identification

Hardware bags are printed with a seven digit alpha-numeric part number. During assembly you only need to reference the last three digits of the part number as noted in each step. This will make finding the correct hardware easier.





(2 NEEDED)



## Icons and their uses you will see throughout this manual



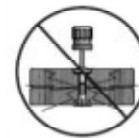
You will need to make sure that your assembly is square before tightening your bolts.



When you see this icon you will need a socket wrench. The icons below show the size of attachments needed for assembly 1/2.



For proper assembly you will need to ensure that your structure is level before proceeding to the next step.



This icon warns you to not over tighten your bolts. This is to prevent structural damage and also splintering your wood.



Some steps in the assembly process will require an extra set of hands. Make sure you have a helper available.



A ladder will be needed for assembly. Do NOT stand on the set when it is incomplete, unstable, and not anchored. Failure to do so may result in injury.



This icon shows the size of an open ended wrench. Using the wrench as the fraction bar.



This icon will show you what drill attachments are needed. For this example you will need a Phillips head attachment and 3/8 drill bit.

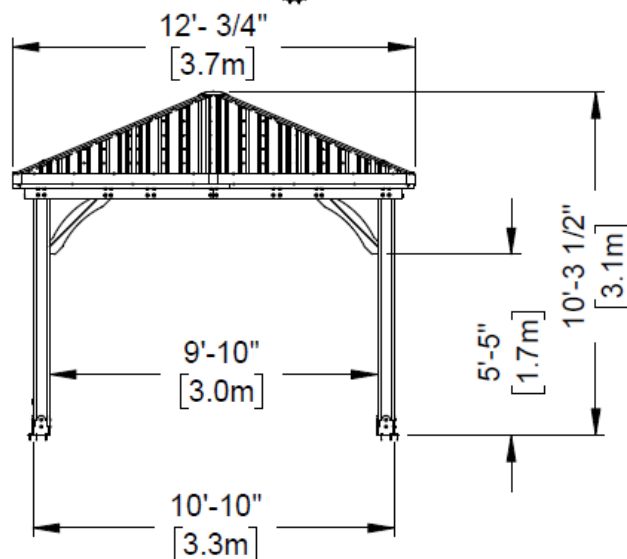
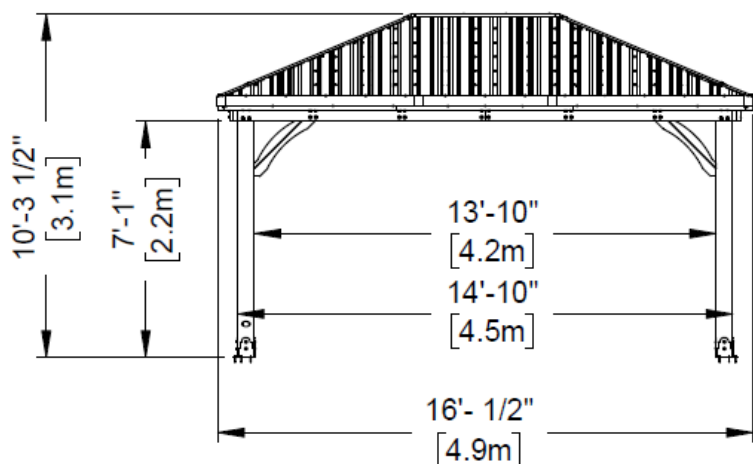
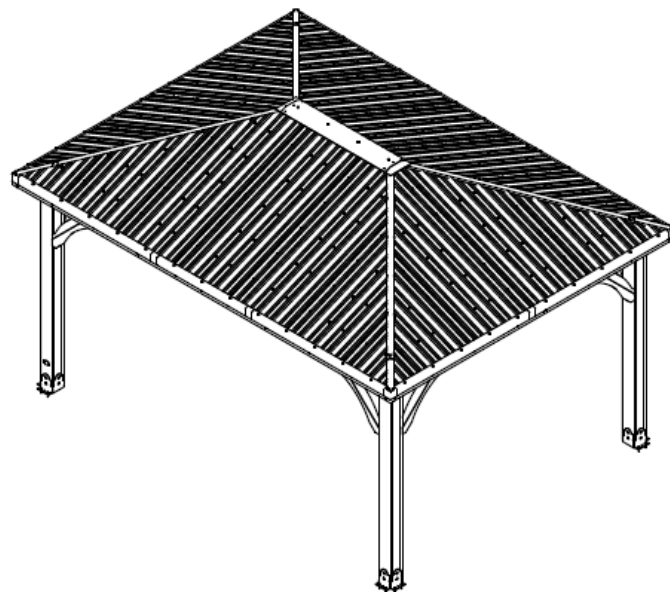
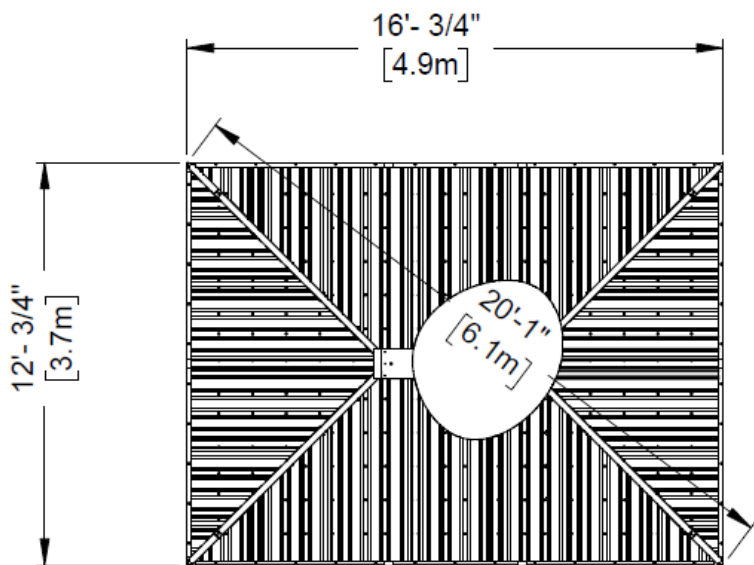
# OWNER'S MANUAL - BASIC SETUP DIMENSIONS & ASSEMBLY NOTES

It is critically important that you start with square and level footings, concrete pad or deck to attach your structure

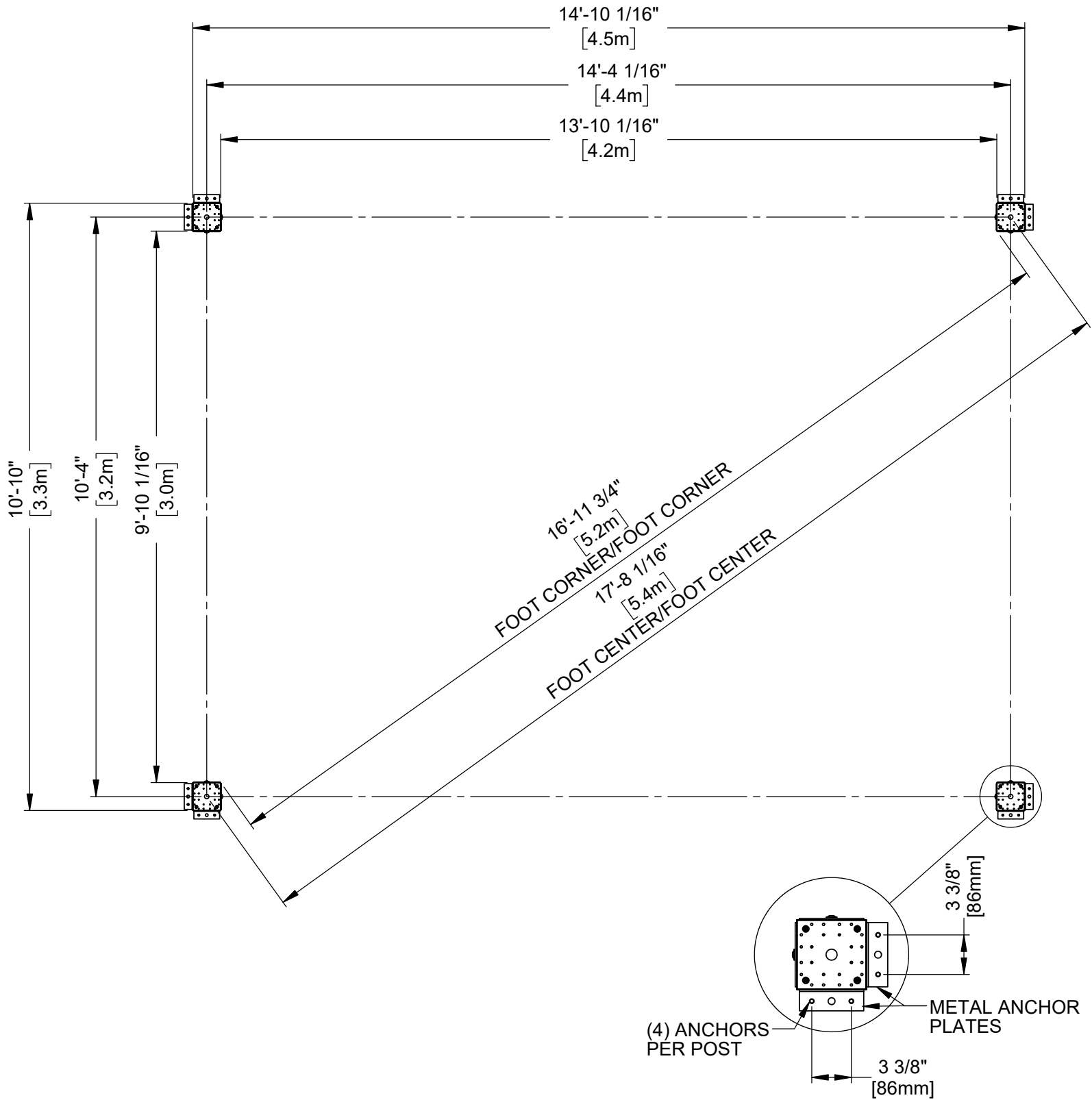
- Pay close attention to the items needed for each step. Make sure you are using the correct hardware for each step. Using incorrect hardware may result in improper assembly
- Remember to double check for underground utilities and overhead electrical lines

Post mounts are provided with your structure which allows you to permanently install your structure to a pre-existing or new wood or concrete surface. See Anchor Instructions for further details and recommendations.

- The hardware to attach the post mounts to the structure is included.
- The hardware to mount the structure permanently to a concrete surface is included.
- The hardware to mount the structure permanently to a wood deck is NOT included and will need to be purchased separately. You must ensure there is ample structural support under the deck before permanently attaching.



# OWNER'S MANUAL - ANCHORING LAYOUT



# OWNER'S MANUAL - PARTS IDENTIFICATION

## Wood Components (Not to Scale)



**H01** | ROOF SUPPORT- W4L15194  
(4) | 1"x3 3/8"x54 1/8" (24x86x1374)



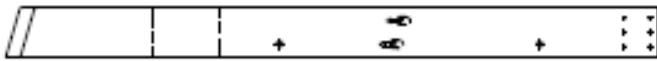
**H02** | ROOF JOIST- W4L15289  
(2) | 1"x3 3/8"x61 1/4" (24x86x1556)



**H03** | ROOF JOIST - W4L15288  
(2) | 1"x3 3/8"x46 7/8" (24x86x1556)



**H04** | ROOF SUPPORT - W4L15314  
(4) | 1"x3 3/8"x38 13/16" (24x86x986)



**H05** | ROOF JOIST - W4L15293  
(2) | 1"x3 3/8"x44 1/2" (24x86x1130)



**H06** | ROOF JOIST - W4L15203  
(2) | 1"x3 3/8"x10 11/16" (24x86x272)



**H07** | ROOF JOIST - W4L15315  
(2) | 1"x3 3/8"x53 3/16" (24x86x1351)



**H08** | ROOF JOIST - W4L15316  
(2) | 1"x3 3/8"x53 3/16" (24x86x1351)



**H09** | ROOF JOIST- W4L15297  
(2) | 1"x3 3/8"x61 1/4" (24x86x1556)



**H10** | ROOF JOIST- W4L15298  
(2) | 1"x3 3/8"x44 1/2" (24x86x1130)



**H11** | ROOF JOIST- W4L15216  
(2) | 1"x3 3/8"x44 1/2" (24x86x1130)



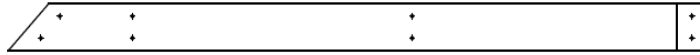
**H12** | ROOF JOIST- W4L15220  
(2) | 1"x3 3/8"x44 1/2" (24x86x1130)

# OWNER'S MANUAL - PARTS IDENTIFICATION

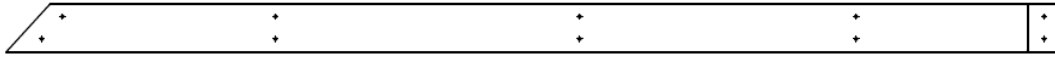
## Wood Components (Not to Scale)



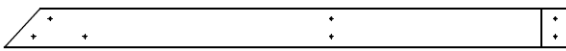
**H13 | PURLIN - W4L15302**  
(2) | 1"x3 3/8"x68 1/2" (24x86x1740)



**H14 | PURLIN - W4L15303**  
(4) | 1"x3 3/8"x54 1/8" (24x86x1374)



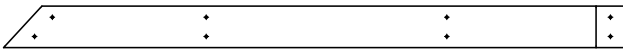
**H15 | PURLIN - W4L15304**  
(4) | 1"x3 3/8"x75 1/16" (24x86x1906)



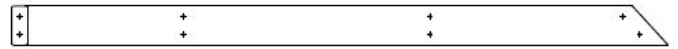
**H16 | PURLIN - W4L15305**  
(4) | 1"x3 3/8"x49 9/16" (24x86x1259)



**H17 | PURLIN - W4L15306**  
(2) | 1"x1 3/8"x29 1/8" (24x86x740)



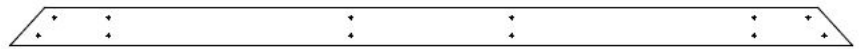
**H18 | PURLIN - W4L15307**  
(4) | 1"x3 3/8"x50 13/16" (24x86x1291)



**H19 | PURLIN - W4L15228**  
(2) | 1"x3 3/8"x58 5/16" (24x86x1481)



**H20 | PURLIN - W4L15229**  
(2) | 1"x3 3/8"x43 7/8" (24x86x1114)



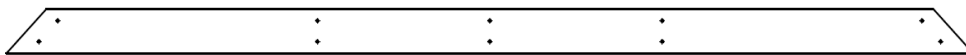
**H21 | PURLIN - W4L15230**  
(2) | 1"x3 3/8"x75 11/16" (24x86x1922)



**H22 | PURLIN - W4L15231**  
(2) | 1"x3 3/8"x51 7/16" (24x86x1307)



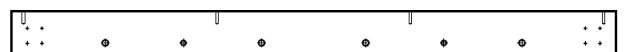
**H24 | PURLIN W4L15232**  
(2) | 1"x3 3/8"x27 1/4" (24x86x692)



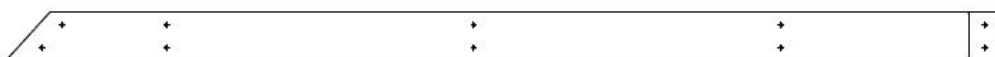
**H25 | PURLIN - W4L15308**  
(2) | 1"x3 3/8"x75 1/16" (24x86x1907)



**H27 | PURLIN - W4L15237**  
(2) | 1"x3 3/8"x56" (24x86x1422)



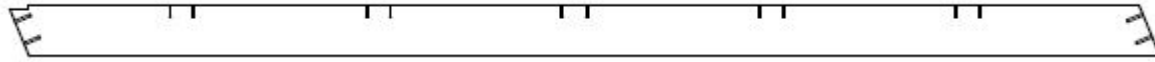
**H29 | ROOF SUPPORT - W4L15286**  
(1) | 1"x3 3/8"x48" (24x86x1219)



**H28 | PURLIN - W4L15238**  
(2) | 1"x3 3/8"x70 1/2" (24x86x1791)

# OWNER'S MANUAL - PARTS IDENTIFICATION

## Wood Components (Not to Scale)



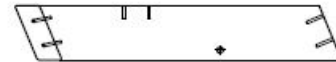
**E01** | RAFTER- W4L15312  
(4) | 1 3/8"x3 3/8"x76 11/16" (36x86x1948)



**E02** | RAFTER- W4L15290  
(2) | 1 3/8"x3 3/8"x67 1/8" (36x86x1705)



**E03** | RAFTER- W4L15291  
(2) | 1 3/8"x3 3/8"x43 5/8" (36x86x1109)



**E04** | RAFTER- W4L15292  
(2) | 1 3/8"x3 3/8"x20 3/16" (36x86x512)



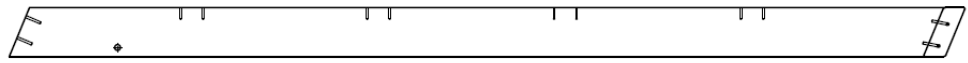
**E05** | RAFTER - W4L15207  
(2) | 1 3/8"x3 3/8"x69" (36x86x1752)



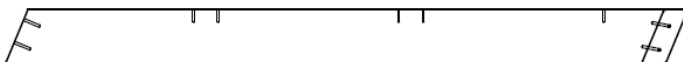
**E06** | RAFTER - W4L15208  
(2) | 1 3/8"x3 3/8"x45 7/16" (36x86x1155)



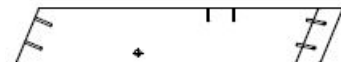
**E07** | RAFTER- W4L15209  
(2) | 1 3/8"x3 3/8"x21 15/16" (36x86x557)



**E08** | RAFTER - W4L15294  
(2) | 1 3/8"x3 3/8"x67 1/8" (36x86x1705)



**E09** | RAFTER - W4L15295  
(2) | 1 3/8"x3 3/8"x43 5/8" (36x86x1109)



**E10** | RAFTER- W4L15296  
(2) | 1 3/8"x3 3/8"x20 3/16" (36x86x512)



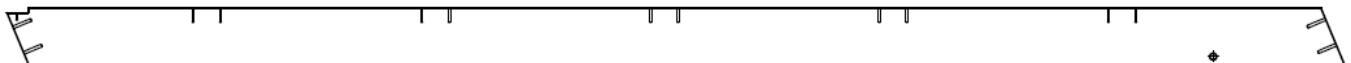
**E11** | RAFTER- W4L15217  
(2) | 1 3/8"x3 3/8"x69" (36x86x1752)



**E12** | RAFTER W4L15218  
(2) | 1 3/8"x3 3/8"x45 7/16" (36x86x1155)



**E13** | RAFTER- W4L15219  
(2) | 1 3/8"x3 3/8"x21 15/16" (36x86x557)



**E14** | RAFTER- W4L15299  
(2) | 1 3/8"x3 3/8"x76 11/16" (36x86x1948)



# OWNER'S MANUAL - PARTS IDENTIFICATION

## Wood Components (Not to Scale)



**C01** | CORBEL - W2A03198  
(7) | 1 3/8"x6 7/16"x36 1/4" (36x163x921)



**C02** | CORBEL W/TAG - W2A03199  
(1) | 1 3/8"x6 7/16"x36 1/4" (36x163x921)



**G01** | COVER BOARD - W4L15313  
(2) | 1"x5 1/4"x89 1/2" (24x134x2274)



**D02** | BEAM - W4L15284  
(4) | 1 3/8"x5 1/4"x89" (36x134x2261)



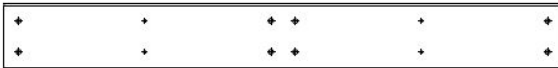
**D01** | BEAM - W4L15192  
(4) | 1 3/8"x5 1/4"x45 3/16" (36x134x1148)



**D03** | BEAM - W4L15283  
(2) | 1 3/8"x5 1/4"x59 15/16" (36x134x1522)



**D04** | BEAM - W4L15282  
(4) | 1 3/8"x5 1/4"x59 1/16" (36x134x1500)



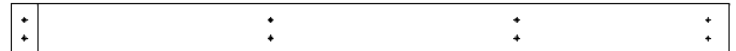
**D05** | BEAM - W4L15240  
(2) | 1 3/8"x5 1/4"x45 1/4" (36x134x1150)



**D06** | BEAM - W4L15241  
(4) | 1 3/8"x5 1/4"x67 13/16" (36x134x1723)



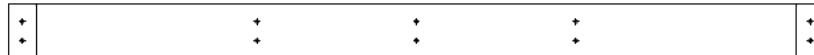
**Q01** | ROOF JOIST - W4L15204  
(2) | 1"x4 7/16"x65 15/16" (24x112x1675)



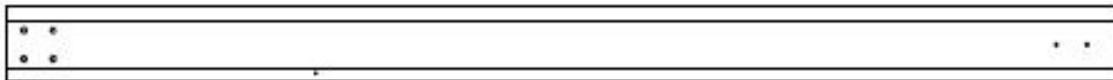
**Q02** | ROOF JOIST - W4L15300  
(4) | 1"x4 7/16"x63 13/16" (24x112x1605)



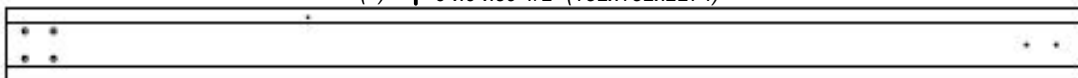
**Q03** | ROOF JOIST - W4L15221  
(2) | 1"x4 7/16"x80 1/2" (24x112x2044)



**Q04** | ROOF JOIST - W4L1301  
(2) | 1"x4 7/16"x68 1/2" (24x112x1740)



**P01** | POST - W2A03202  
(2) | 6"x6"x89 1/2" (152x152x2274)



**P02** | POST - W2A03203  
(2) | 6"x6"x89 1/2" (152x152x2274)



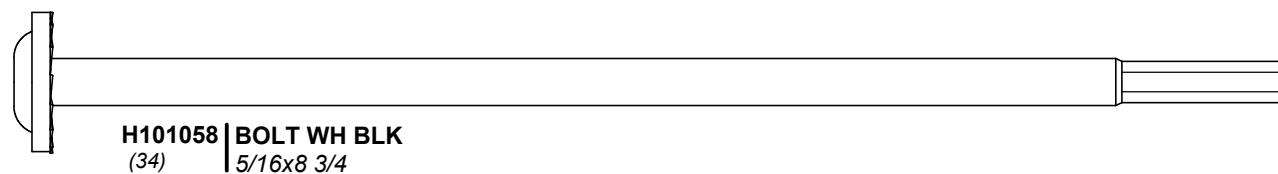
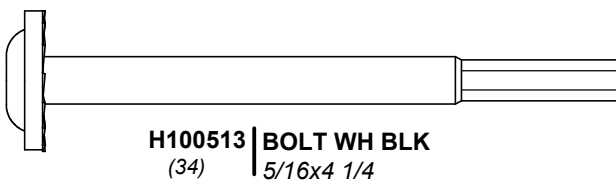
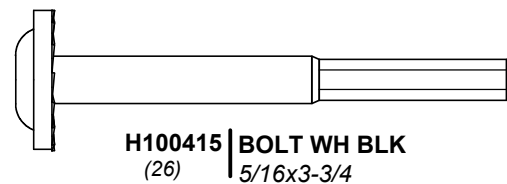
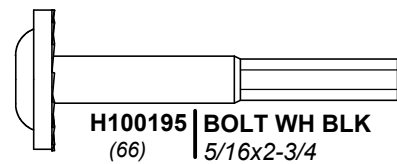
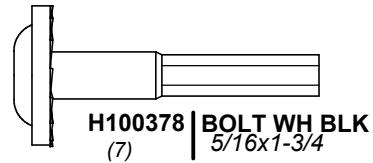
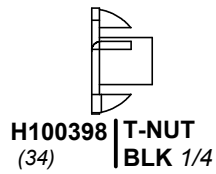
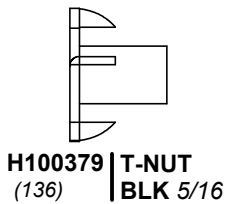
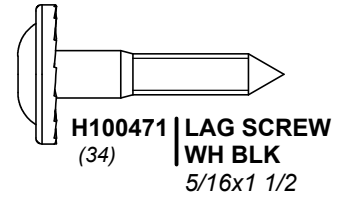
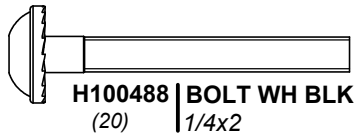
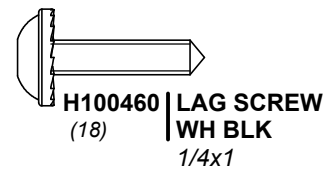
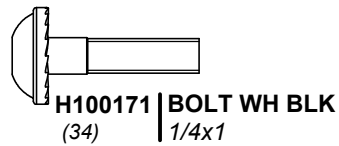
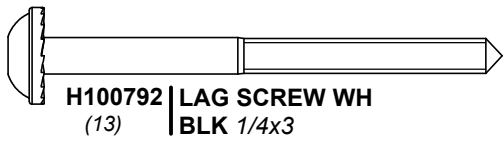
**T01** | PURLIN - W4L15309  
(x2) | 15/16"x1 5/16"x51 1/2" (24x34x1308)



**T02** | PURLIN - W4L15239  
(2) | 1"x1 5/16"x12 3/4" (24x34x324)

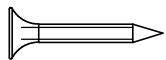
# OWNER'S MANUAL - PARTS IDENTIFICATION

## Hardware Components

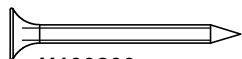


# OWNER'S MANUAL - PARTS IDENTIFICATION

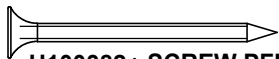
## Hardware Components



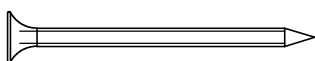
**H100385** | SCREW PFH  
(184) | BLK 8x1



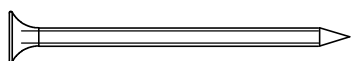
**H100200** | SCREW PFH  
(26) | BLK 8x1 1/2



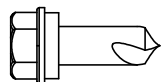
**H100382** | SCREW PFH  
(17) | BLK 8x1 3/4



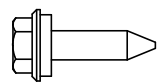
**H100391** | SCREW PFH  
(284) | BLK 8x2



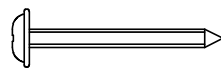
**H100483** | SCREW PFH  
(88) | BLK 8x2 1/4



**H100759** | SCREW  
TAPPING  
(62) | 1/4x1



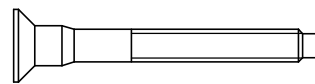
**H100833** | SCREW  
WOODGRIP  
(312) | 10x3/4



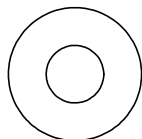
**H100536** | SCREW PWH  
(39) | BLK 8x1 1/4



**H100392** | SCREW PWH  
(17) | BLK 8x3/4



**H101030** | SCREW CONFIRMAT BLK  
(124) | 7x2



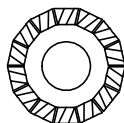
**H100770** | WASHER FLAT  
(26) | BLK 5/16



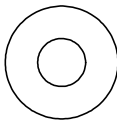
**H101034** | WEATHER PROOF  
WASHER  
(4)



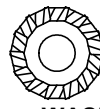
**H100479** | NUT LOCK BLK  
(26) | 5/16



**H100198** | WASHER LOCK  
EXT BLK 8x19  
(162)



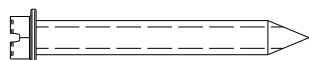
**H100630** | WASHER FLAT  
(37) | BLK 8x19



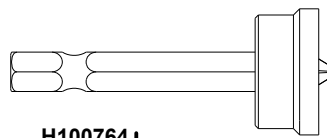
**H100405** | WASHER LOCK  
EXT BLK 6x15  
(9)



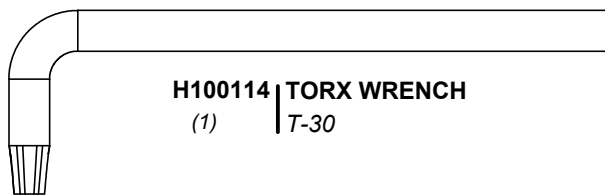
**H100653** | NUT LOCK BLK  
(20) | 1/4



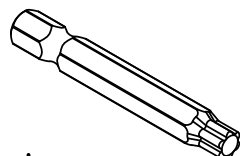
**H100120** | SCREW CONCRETE  
ANCHOR 1/4x2  
(18)



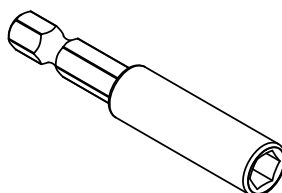
**H100764** | SCREW SETTER  
(1)



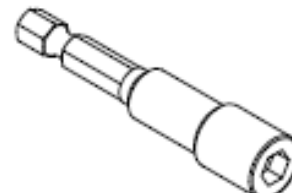
**H100114** | TORX WRENCH  
(1) | T-30



**H100147** | T-30 TORX BIT  
(1)



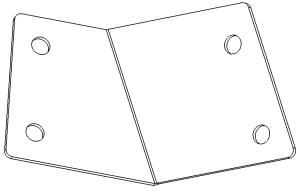
**H101100** | BIT ADAPTOR  
(1)



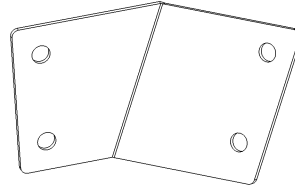
**H101106** | HEX DRIVER  
(x1) | 5/16

# OWNER'S MANUAL - PARTS IDENTIFICATION

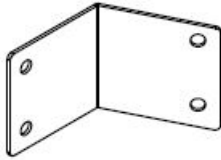
## Accessory Components (Not to Scale)



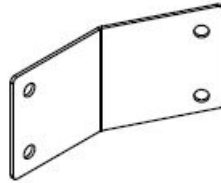
**A4M01191** | PANEL BRACKET  
(2)



**A4M01193** | PANEL BRACKET  
(2)



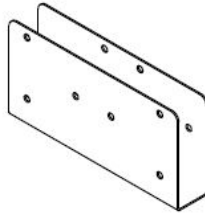
**A4M01238** | PANEL BRACKET  
(2)



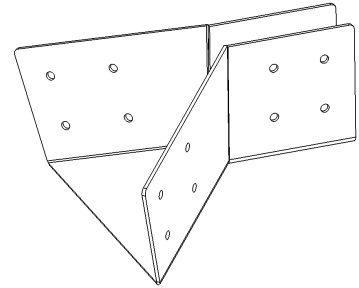
**A4M01239** | PANEL BRACKET  
(2)



**A4M01752** | RAFTER CLIP  
(18)



**A4M01237** | ROOF  
SUPPORT  
SPLICE CLIP  
(12)



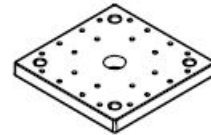
**A4M01184** | PANEL SUPPORT BRACKET  
(2)



**A4M01236** | STEEL POST PLATE  
(8)



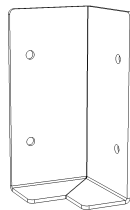
**A4M01235** | STEEL POST  
ANCHOR  
PLATE  
(8)



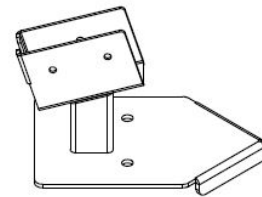
**A6P00308** | 6x6 POST FOOT  
(4)



**A100241** | BYD ID TAG  
(SMALL)  
WITHOUT  
AGES  
(1)



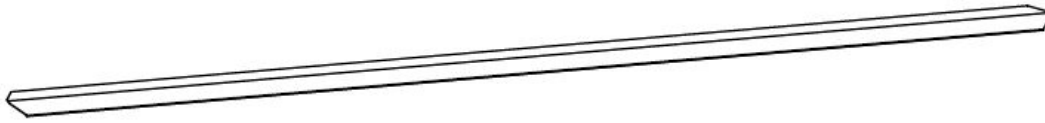
**A4M01185** | CORNER BRACKET  
(4)



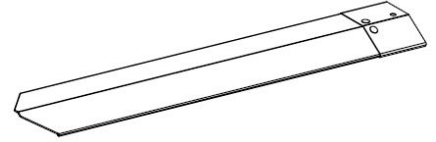
**A4M01234** | POST CLIP  
(4)

# OWNER'S MANUAL - PARTS IDENTIFICATION

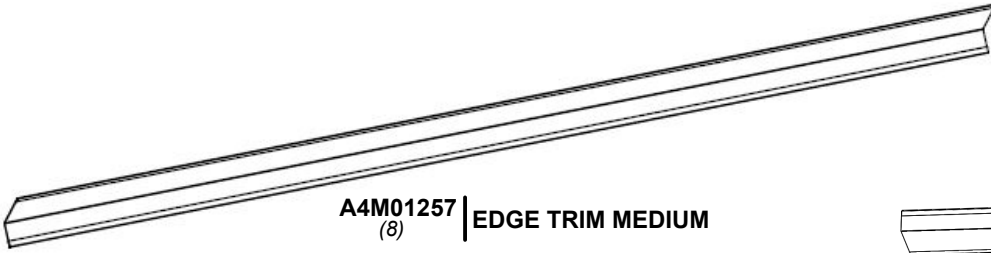
## Accessory Components (Not to Scale)



A4M01248 | CORNER RIDGE CAP LONG  
(4)



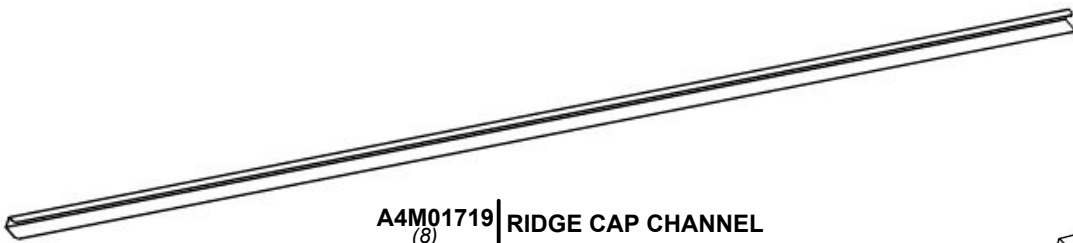
A4M01258 | RIDGE CAP SPLICE  
ASSEMBLY  
(4)



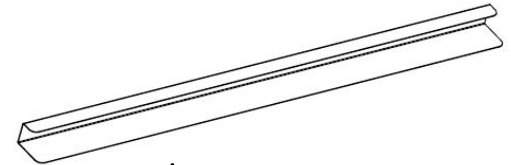
A4M01257 | EDGE TRIM MEDIUM  
(8)



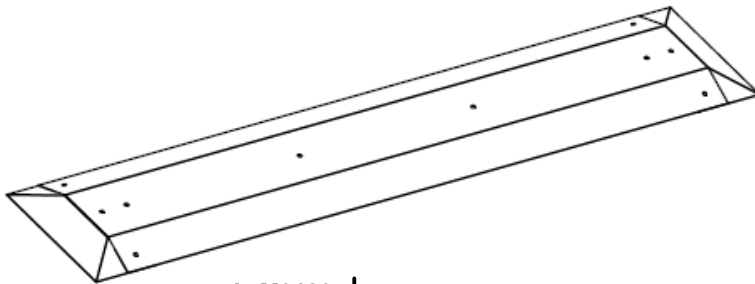
A4M01203 | EDGE TRIM SHORT  
(2)



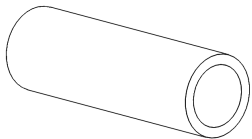
A4M01719 | RIDGE CAP CHANNEL  
(8)



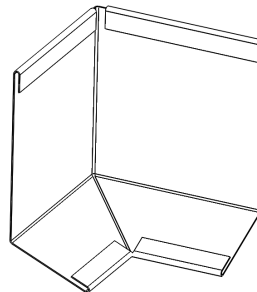
A4M01247 | RIDGE CAP CHANNEL  
SHORT  
(8)



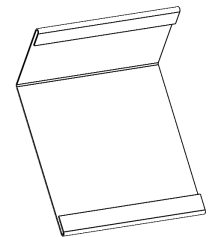
A4M01204 | RIDGE PEAK CAP  
(1)



A4M01205 | METAL SPACER  
(4)



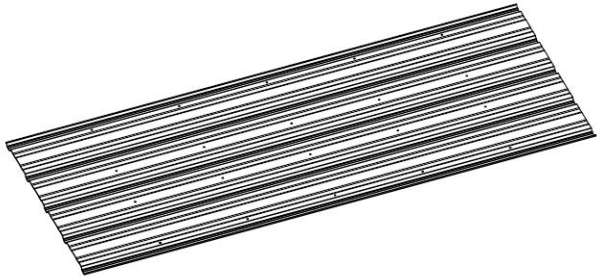
A4M01202 | EDGE TRIM CORNER SPLICE  
(4)



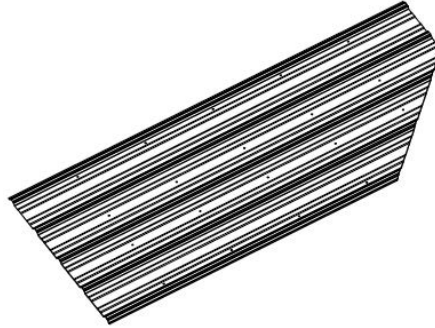
A4M01201 | EDGE TRIM SPLICE  
(6)

# OWNER'S MANUAL - PARTS IDENTIFICATION

## Accessory Components (Not to Scale)



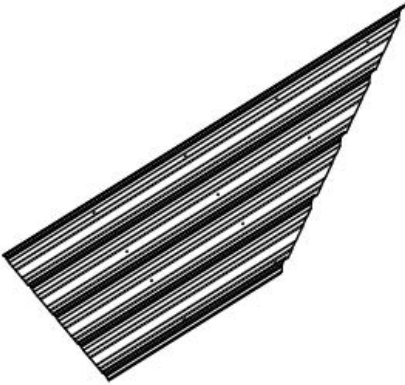
**A4M01240** | 29 GA STEEL SHEETING  
(2)



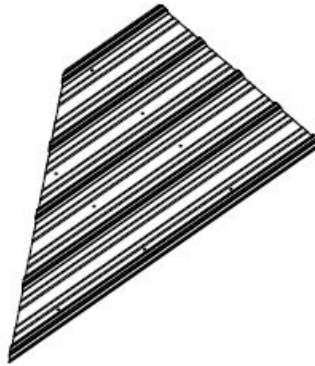
**A4M01354-1** | 29 GA STEEL SHEETING  
(2)



**A4M01354-2** | 29 GA STEEL SHEETING  
(2)



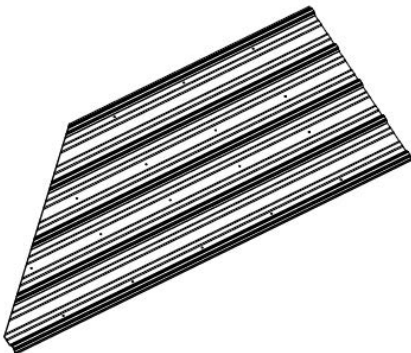
**A4M01355-1** | 29 GA STEEL SHEETING  
(2)



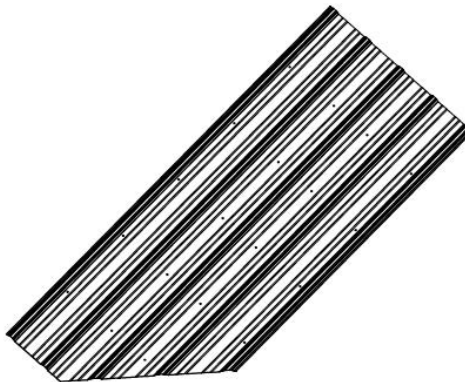
**A4M01355-2** | 29 GA STEEL SHEETING  
(2)



**A4M01356-1** | 29 GA STEEL SHEETING  
(2)



**A4M01356-2** | 29 GA STEEL SHEETING  
(2)



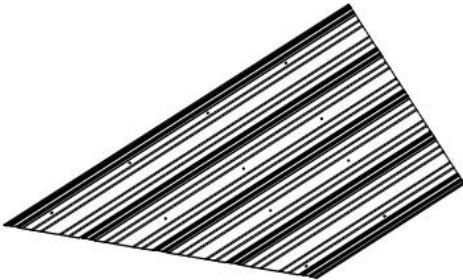
**A4M01357-1** | 29 GA STEEL SHEETING  
(2)



**A4M01357-2** | 29 GA STEEL SHEETING  
(2)

# OWNER'S MANUAL - PARTS IDENTIFICATION

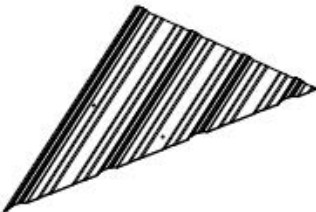
## Accessory Components (Not to Scale)



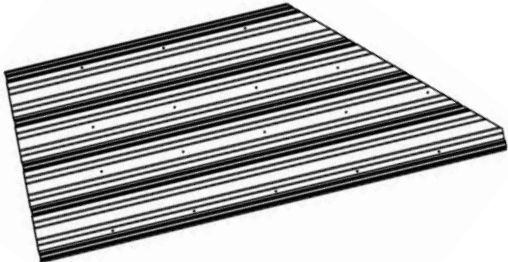
**A4M01358-1** | 29 GA STEEL SHEETING  
(2)



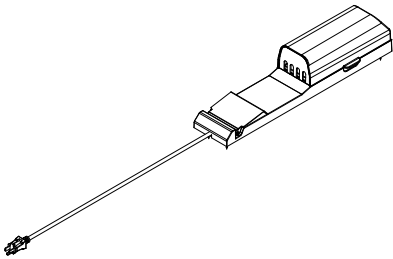
**A4M01358-2** | 29 GA STEEL SHEETING  
(2)



**A4M01359-1** | 29 GA STEEL SHEETING  
(2)



**A4M01359-2** | 29 GA STEEL SHEETING  
(2)



**9205413** | ELECTRICAL ENCLOSURE  
(x1)

# PRE-ASSEMBLY STEP 1 - SORTING PARTS

It is critical for ease of assembly that you take the time to sort and organize the wood and hardware.

---

## WOOD PARTS:

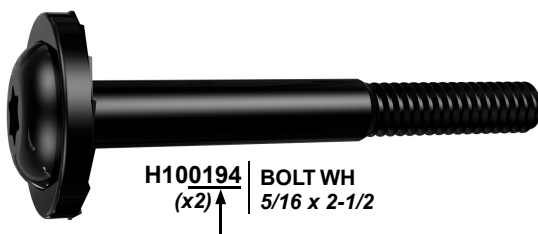
- Organize wood parts by the three-digit, alpha-numeric number stamped on each board (ex. P01).
- If there are multiple boards with the same stamped number, stack those pieces together.
- Stamps can be found on the flat surface of the boards or on the end of the boards.
- Allow yourself plenty of room - the wood pieces can take up a significant amount of space.

**NOTE: CARTONS ARE NOT ORGANIZED BY BOARD NUMBER.**



## HARDWARE PARTS:

- We recommend that you have a separate table to organize the hardware.
- Hardware bags are printed with a seven-digit, alpha-numeric part number.
- You can organize your hardware by part number or group by hardware type (i.e. bolts, nuts, etc.).
- During assembly you only need to reference the last four digits of the number.



H100194 | BOLT WH  
(x2) ↑ 5/16 x 2-1/2



# PRE-ASSEMBLY STEP 2 - TOOLS REQUIRED



Cordless Drill or  
Electric Drill



Drill Attachments:  
Phillips Head



1/8", 3/16", 3/8" &  
7/16" Drill Bits



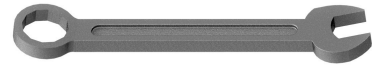
Phillips Screw Driver



Tape Measure



Claw Hammer



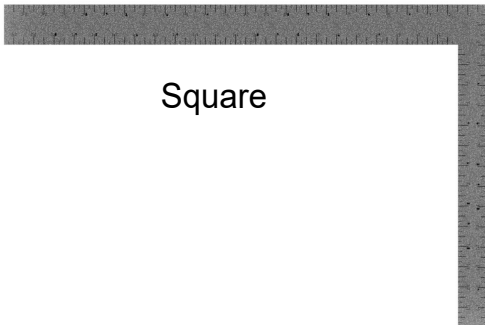
Open End  
Wrenches 1/2" &  
7/16"



3/8" Drive Ratchet, 1/2" &  
7/16" STD Sockets, 1/2" &  
7/16" Deep Sockets



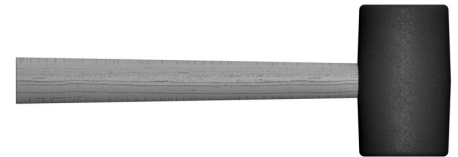
3/8 & 5/16" Nut Drivers



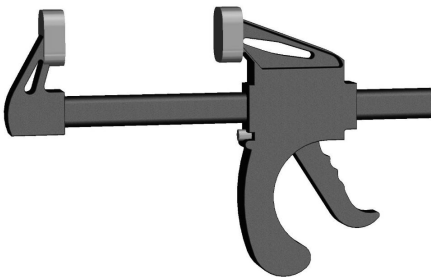
Square



Level 24"



Rubber Mallet -  
Optional



$\frac{00}{2} 0 |$

# PRE-ASSEMBLY STEP 3 - CHOOSE YOUR ASSEMBLY METHOD

There are several types of assembly instructions available to you.

1. Printed Assembly Manual included with your set
2. BILT APP - 3D interactive instructions
3. Combination of the Printed Manual and BILT APP (Note: Step numbers can differ between the two methods)



The graphic is a rectangular advertisement for the BILT app. At the top left is the BILT logo, which consists of a stylized hexagonal icon with a dot inside, followed by the word "BILT." in a bold, sans-serif font. To the right of the logo is a large QR code. Below the logo and QR code, the text "Scan for easy 3D instructions" is written in a large, bold, black font. Underneath this, in a smaller font, it says "Download the BILT app before you begin". To the right of this text are two buttons: "Download on the App Store" with the Apple logo and "GET IT ON Google Play" with the Google Play logo. At the bottom of the graphic is a smartphone screen displaying a 3D assembly instruction. The screen shows a grey 3D model of a structure with a horizontal beam and a triangular support. The interface includes a "Partlist Needed" button at the top left, a close button (X) at the top right, a menu icon (three dots) and a share icon (square with a dot) in the middle right, and a play/pause button at the bottom center. A small "17" is visible in the bottom left corner of the screen.

# STEP 1 - 12FT POST ASSEMBLY

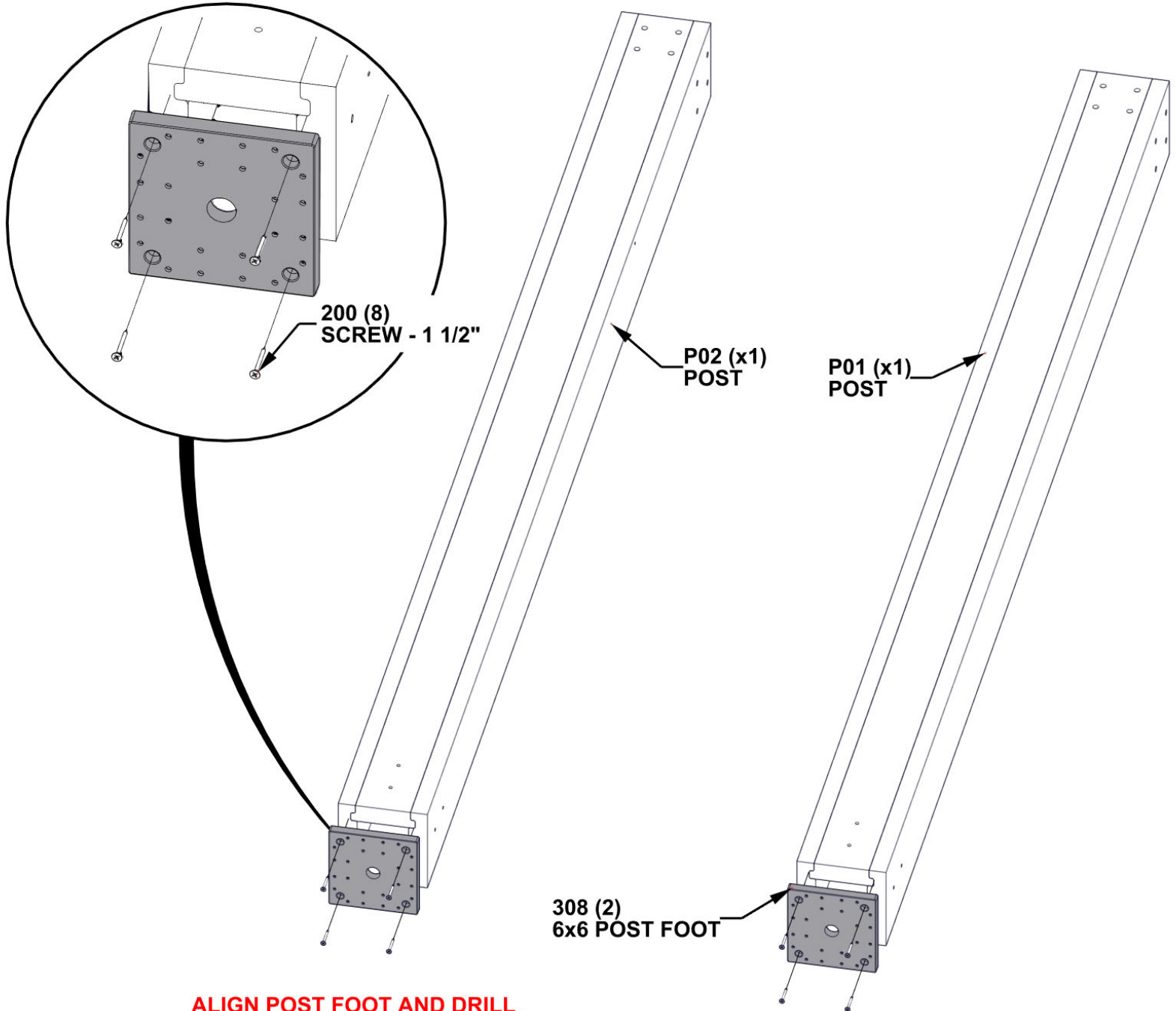
Qty	PART NUMBER	DESCRIPTION
8	H100200	SCREW PFH 8x1 1/2 BLK

**P01** | POST - W2A03202  
 (1) | 6"x6"x89 1/2" (152x152x2274)

**P02** | POST - W2A03203  
 (1) | 6"x6"x89 1/2" (152x152x2274)

**A6P00308** | 6x6 POST FOOT  
 (2)

**TIP:**  
 FOR EASE OF ASSEMBLY, SAW HORSES ARE  
 RECOMMENDED FOR STEPS 1 THROUGH 3



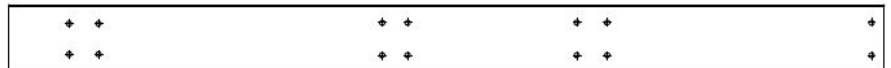
**ALIGN POST FOOT AND DRILL  
 1/8" PILOT HOLES FOR THE  
 ATTACHMENT OF HARDWARE**

# STEP 2 - 12FT BEAM ASSEMBLY

Qty	PART NUMBER	DESCRIPTION
8	H100195	BOLT WH 5/16x2 3/4 BLK
8	H100198	WASHER LOCK EXT 8X19
8	H100379	TNUT-5/16" BLK

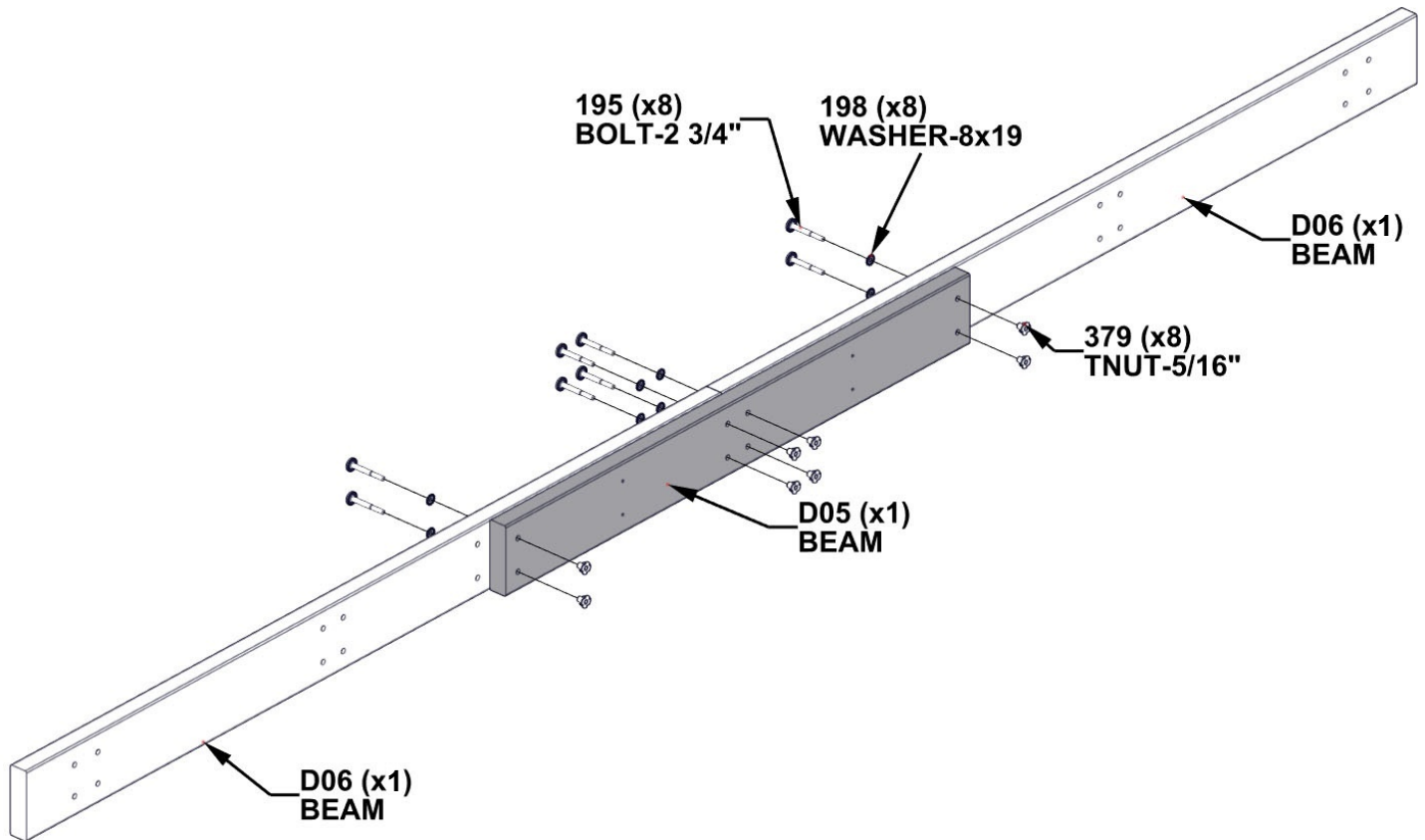


**D05** | BEAM - W4L15240  
 (1) | 1 3/8"x5 1/4"x45 1/4" (36x134x1150)



**D06** | BEAM - W4L15241  
 (2) | 1 3/8"x5 1/4"x67 13/16" (36x134x1723)

## INSERT T-NUTS FIRST



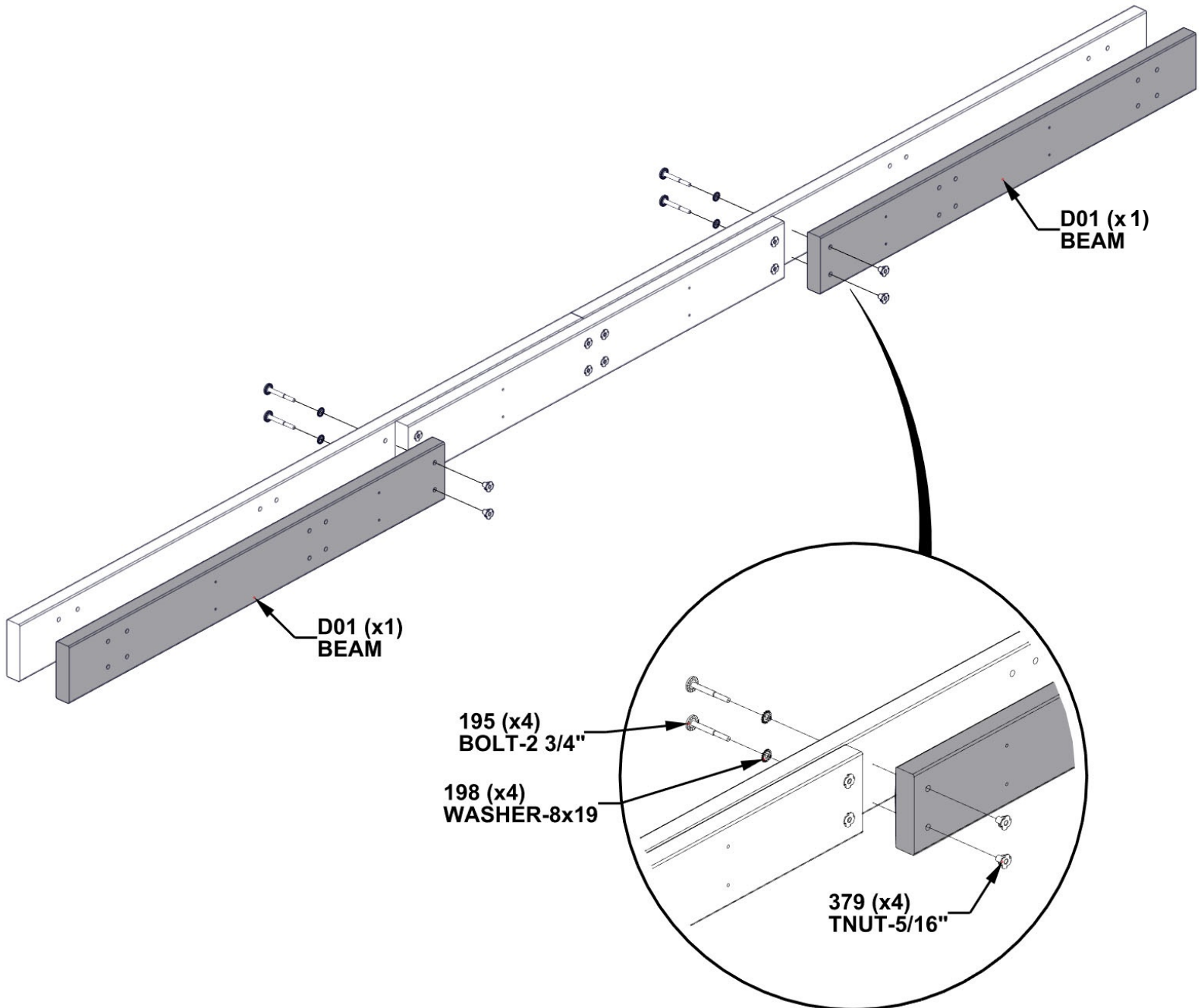
# STEP 3 - 12FT BEAM ASSEMBLY

Qty	PART NUMBER	DESCRIPTION
4	H100195	BOLT WH 5/16x2 3/4 BLK
4	H100198	WASHER LOCK EXT 8X19
4	H100379	TNUT-5/16" BLK



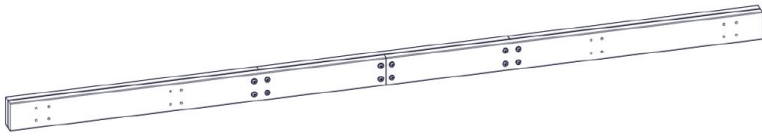
**D01** | BEAM-W4L15192  
 (2) 1 3/8"x5 1/4"x45 3/16" (36x134x1148)

## INSERT T-NUTS FIRST

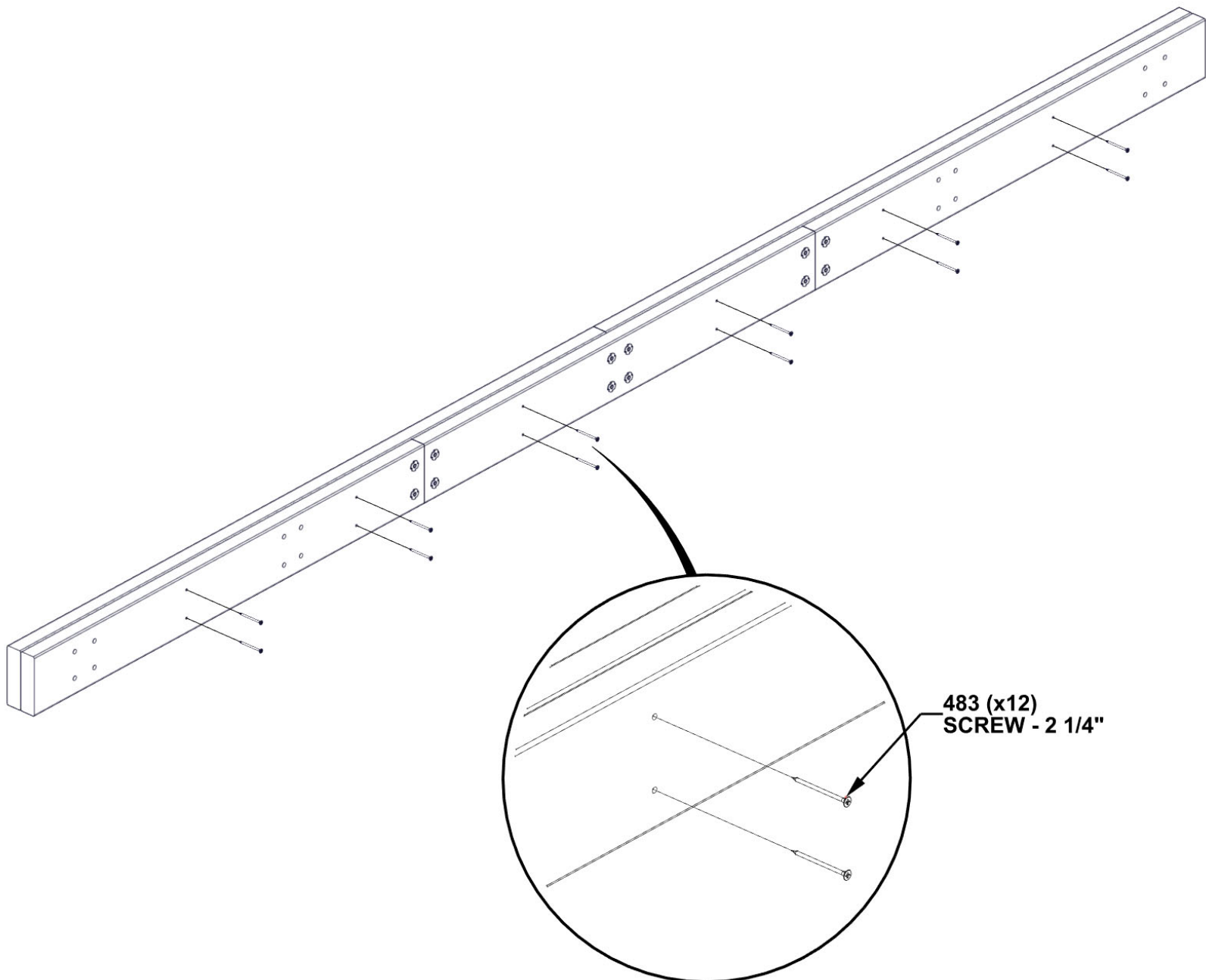


# STEP 4 - 12FT BEAM ASSEMBLY

Qty	PART NUMBER	DESCRIPTION
12	H100483	SCREW PFH 8x2 1/4 BLK

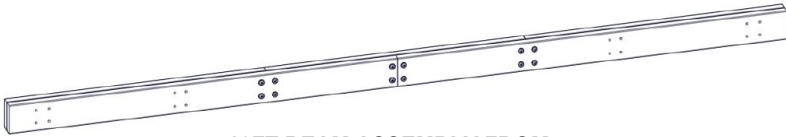


**12 FT BEAM ASSEMBLY  
FROM PREVIOUS STEPS**



# STEP 5 - 12FT BEAM ASSEMBLY

Qty	PART NUMBER	DESCRIPTION
8	H100198	WASHER LOCK EXT 8X19
8	H100379	TNUT-5/16" BLK
8	H101058	BOLT WH 5/16x8 3/4 BLK

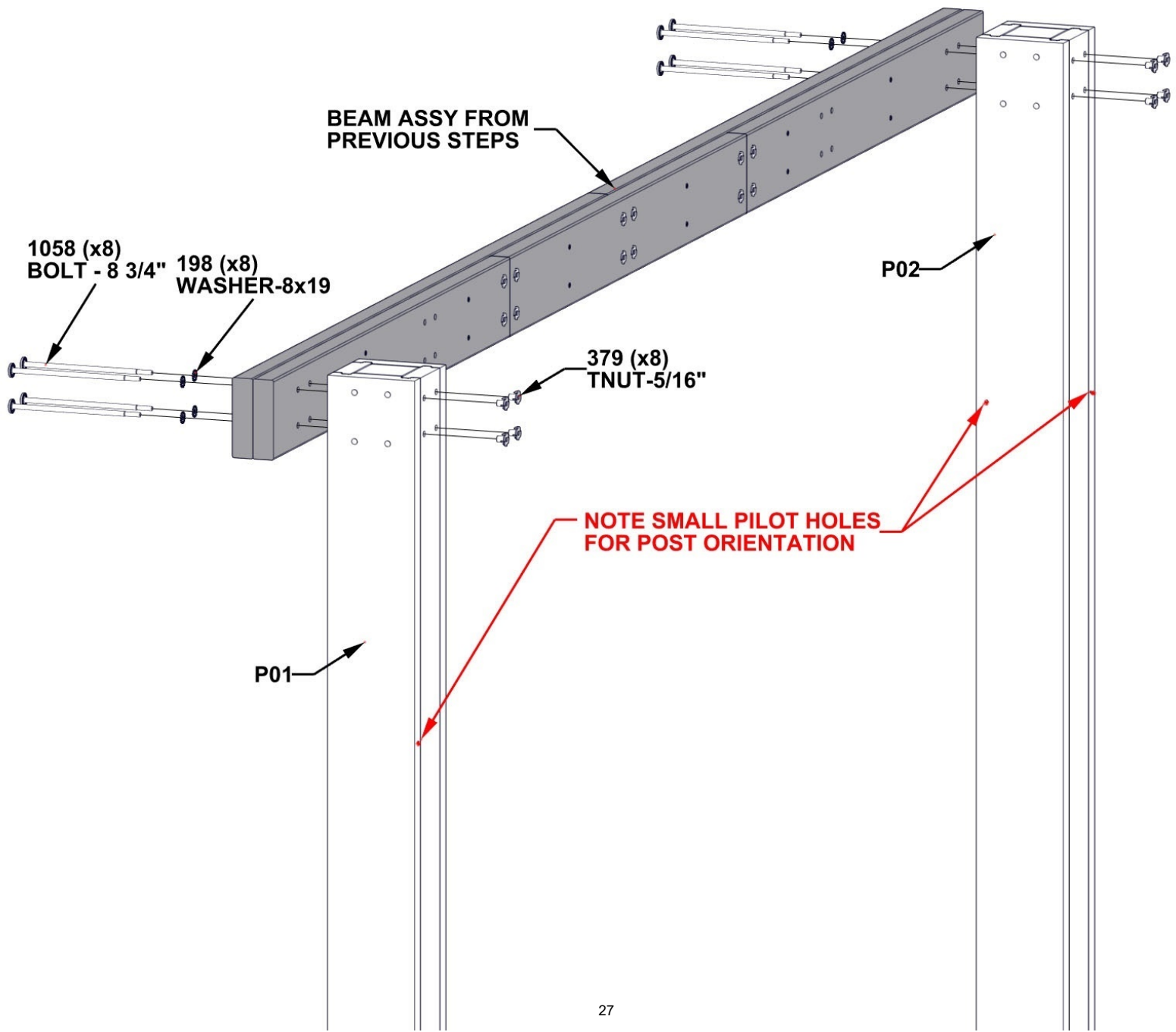


12FT BEAM ASSEMBLY FROM PREVIOUS STEPS

## INSERT T-NUTS FIRST

### TIPS:

SAW DUST CAN BE LEFT BEHIND IN BOLT HOLES. IF YOU HAVE TROUBLE WITH BOLT ENGAGING, USE A LONG SCREWDRIVER TO REMOVE THE DEBRIS.





# STEP 6 - 12FT BEAM ASSEMBLY

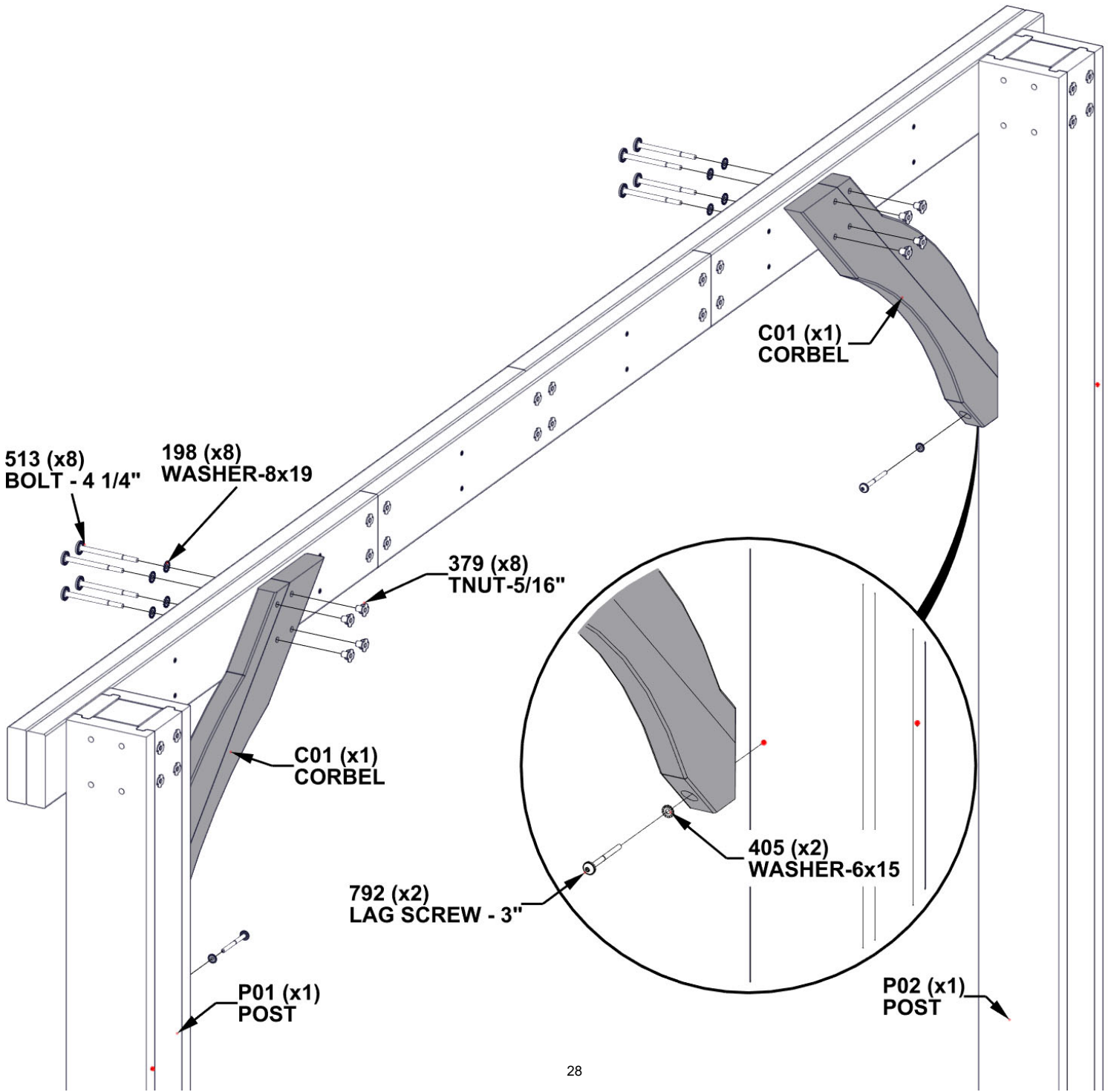
Qty	PART NUMBER	DESCRIPTION
8	H100198	WASHER LOCK EXT 8X19
8	H100379	TNUT-5/16" BLK
2	H100405	WASHER LOCK EXT 6X15
8	H100513	BOLT WH 5/16x4 1/4 BLK
2	H100792	LAG SCREW WH 1/4x3 BLK



**C01** | CORBEL- W2A03198  
 (2) | 1 3/8"x6 7/16"x36 1/4"(36x163x921)

## INSERT T-NUTS FIRST

**TIPS:**  
 INSERT BOLTS FIRST FOLLOWED BY LAG SCREWS.  
 TO AVOID WOOD SPLITTING, MAKE SURE LAG SCREWS GO INTO PILOT HOLES.





**SET 12FT ASSEMBLY TO THE SIDE  
AND REPEAT STEPS 1 THROUGH 6.**

# STEP 7 - 16FT BEAM ASSEMBLY

Qty	PART NUMBER	DESCRIPTION
12	H100195	BOLT WH 5/16x2 3/4 BLK
12	H100198	WASHER LOCK EXT 8X19 BLK
12	H100379	TNUT-5/16" BLK

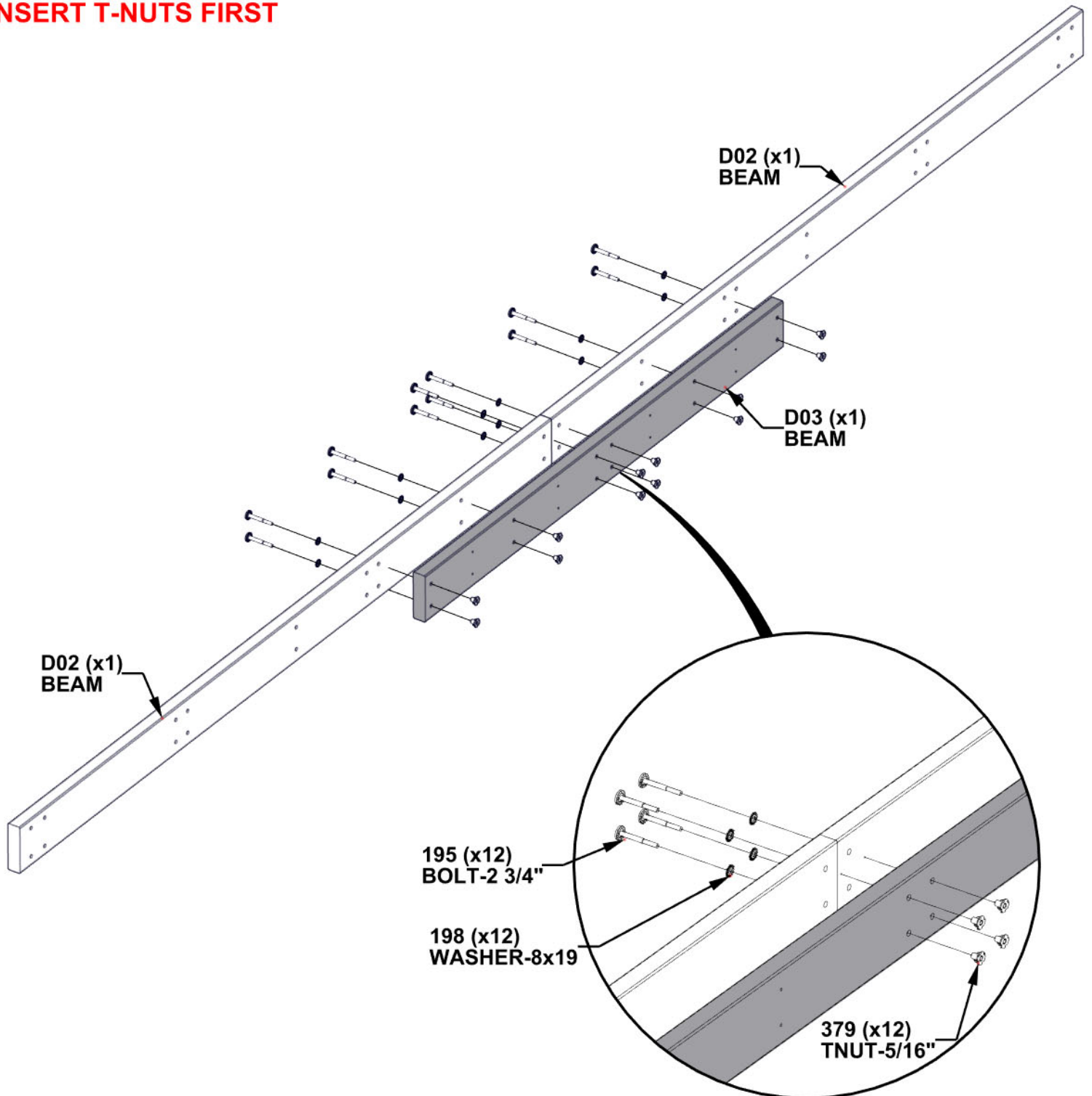


**D03** BEAM - W4L15283  
 (1) 1 3/8"x5 1/4"x59 15/16" (36x134x1522)



**D02** BEAM - W4L15284  
 (2) 1 3/8"x5 1/4"x59 1/16" (36x134x2261)

## INSERT T-NUTS FIRST



# STEP 8 - 16FT BEAM ASSEMBLY



**C01** | CORBEL- W2A03198  
(1) | 1 3/8"x6 7/16"x36 1/4" (36x163x921)



**C02** | CORBEL W/TAG- W2A03199  
(1) | 1 3/8"x6 7/16"x36 1/4" (36x163x921)

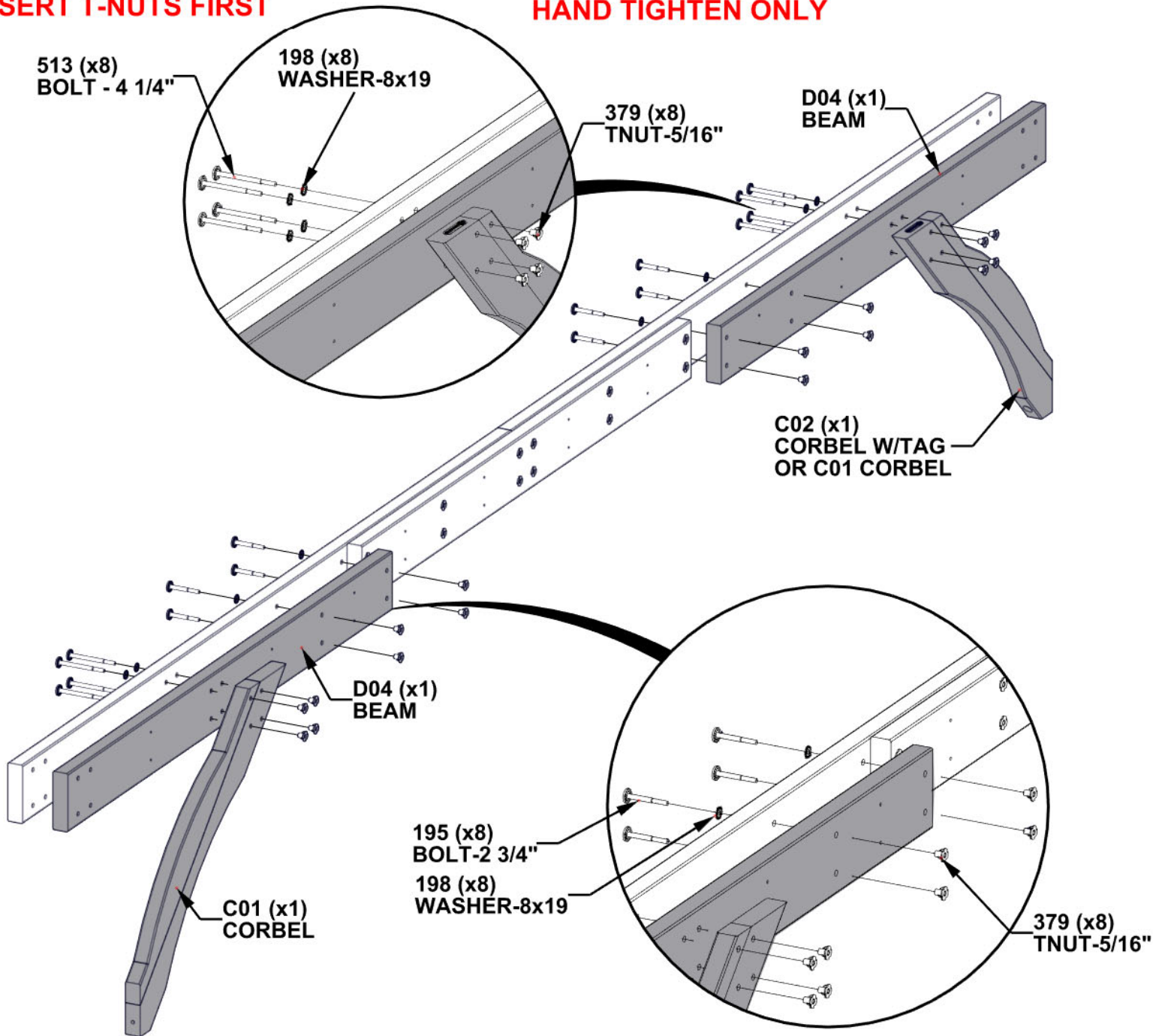
Qty	PART NUMBER	DESCRIPTION
8	H100195	BOLT WH 5/16x2 3/4 BLK
16	H100198	WASHER LOCK EXT 8X19 BLK
16	H100379	TNUT-5/16" BLK
8	H100513	BOLT WH 5/16x4 1/4 BLK



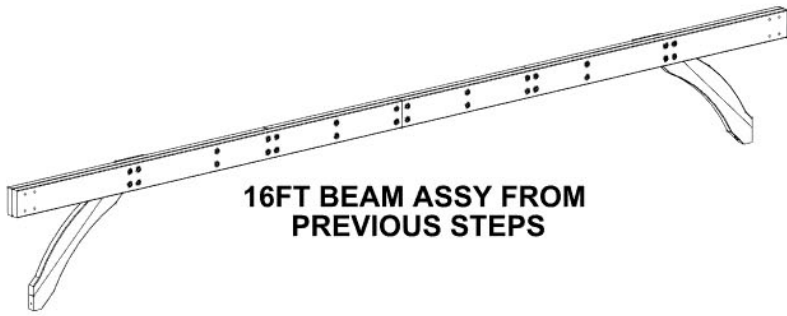
**D04** | BEAM - W4L15282  
(2) | 1 3/8"x5 1/4"x89" (36x134x1500)

**INSERT T-NUTS FIRST**

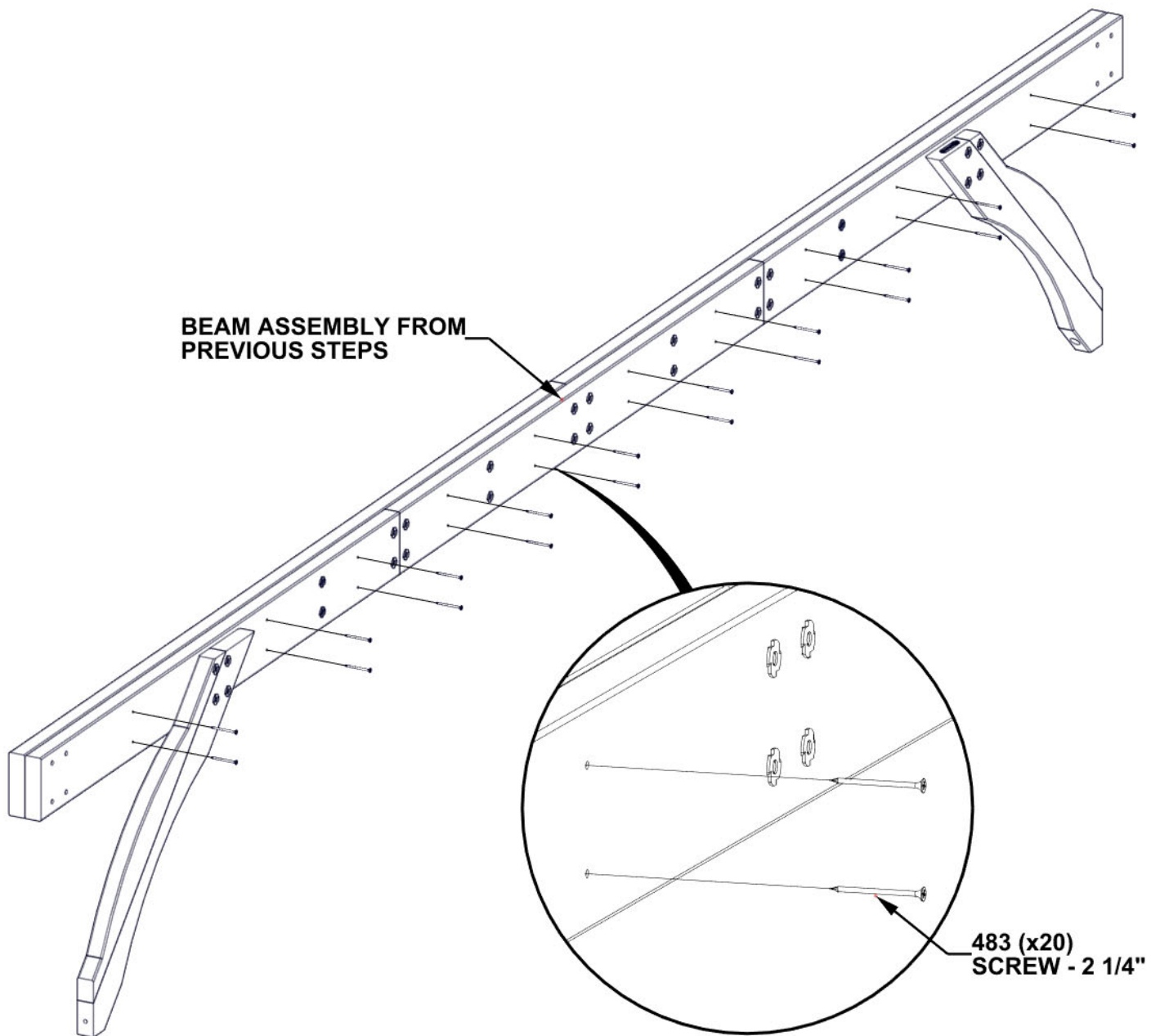
**HAND TIGHTEN ONLY**



# STEP 9 - 16FT BEAM ASSEMBLY



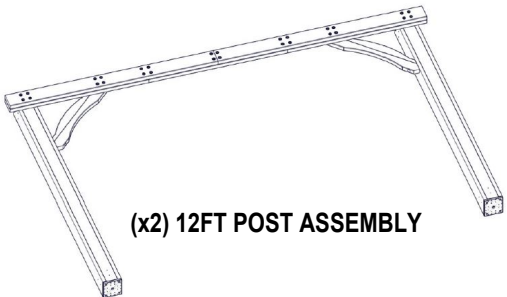
Qty	PART NUMBER	DESCRIPTION
20	H100483	SCREW PFH 8x2 1/4 BLK



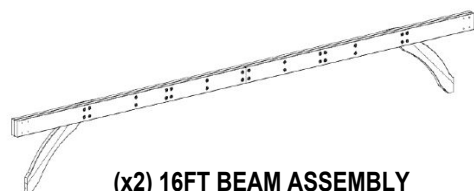


# STEP 10A - 16FT BEAM ASSEMBLY

Qty	PART NUMBER	DESCRIPTION
8	H100198	WASHER LOCK EXT 8X19 BLK
8	H100379	TNUT-5/16" BLK
2	H100405	WASHER LOCK EXT 6X15 BLK
2	H100792	LAG SCREW WH 1/4x3 BLK
8	H101058	BOLT WH 5/16x8 3/4 BLK



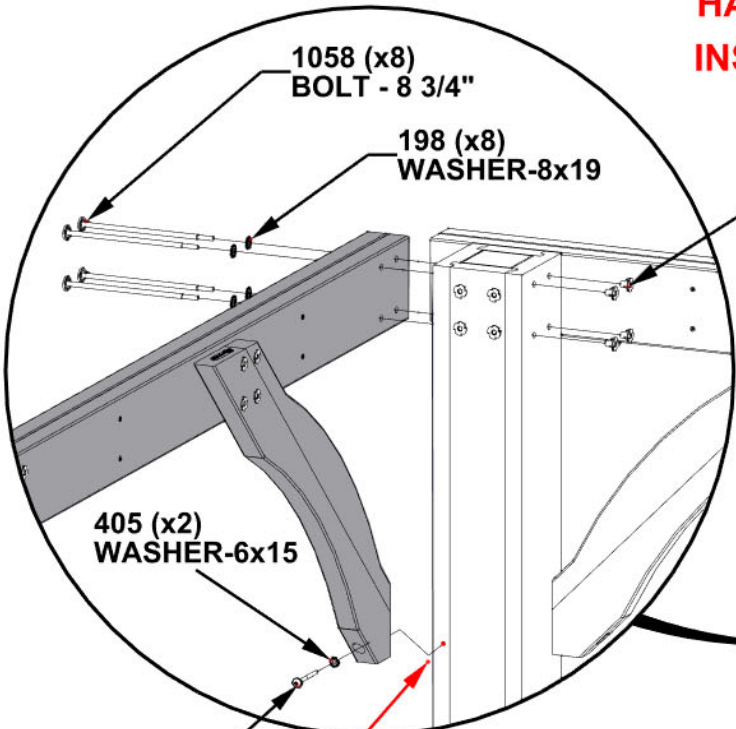
(x2) 12FT POST ASSEMBLY



(x2) 16FT BEAM ASSEMBLY

**TIPS:**  
**THREE PEOPLE ARE HELPFUL FOR THIS STEP.**  
**MOVE THE 12FT POST ASSEMBLIES TO THEIR FINAL LOCATIONS WITH SOMEONE HOLDING EACH ASSEMBLY UPRIGHT.**

**HAND TIGHTEN ONLY**  
**INSERT T-NUTS FIRST**



1058 (x8)  
BOLT - 8 3/4"

198 (x8)  
WASHER-8x19

379 (x8)  
TNUT-5/16"

405 (x2)  
WASHER-6x15

792 (x2)  
LAG SCREW - 3"

12FT ASSEMBLY FROM  
PREVIOUS STEPS

**TO AVOID SPLITTING, LAG SCREWS MUST GO INTO PILOT HOLES**

16FT ASSEMBLY FROM  
PREVIOUS STEPS

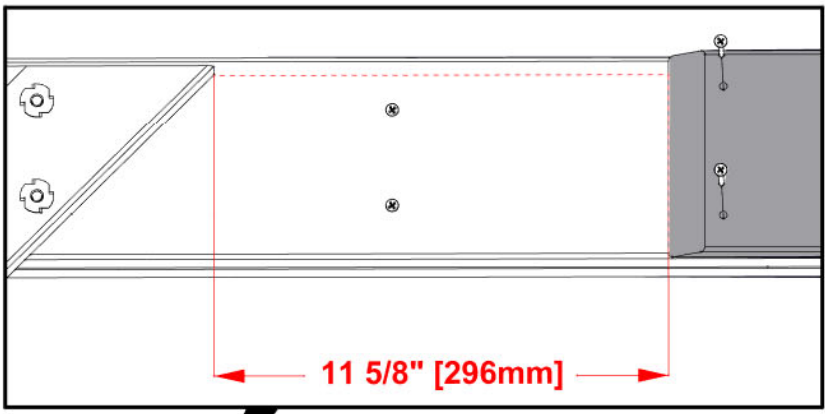
12FT ASSEMBLY FROM  
PREVIOUS STEPS

# STEP 10B - 16FT BEAM ASSEMBLY

Qty	PART NUMBER	DESCRIPTION
12	H100483	SCREW PFH 8x2 1/4 BLK

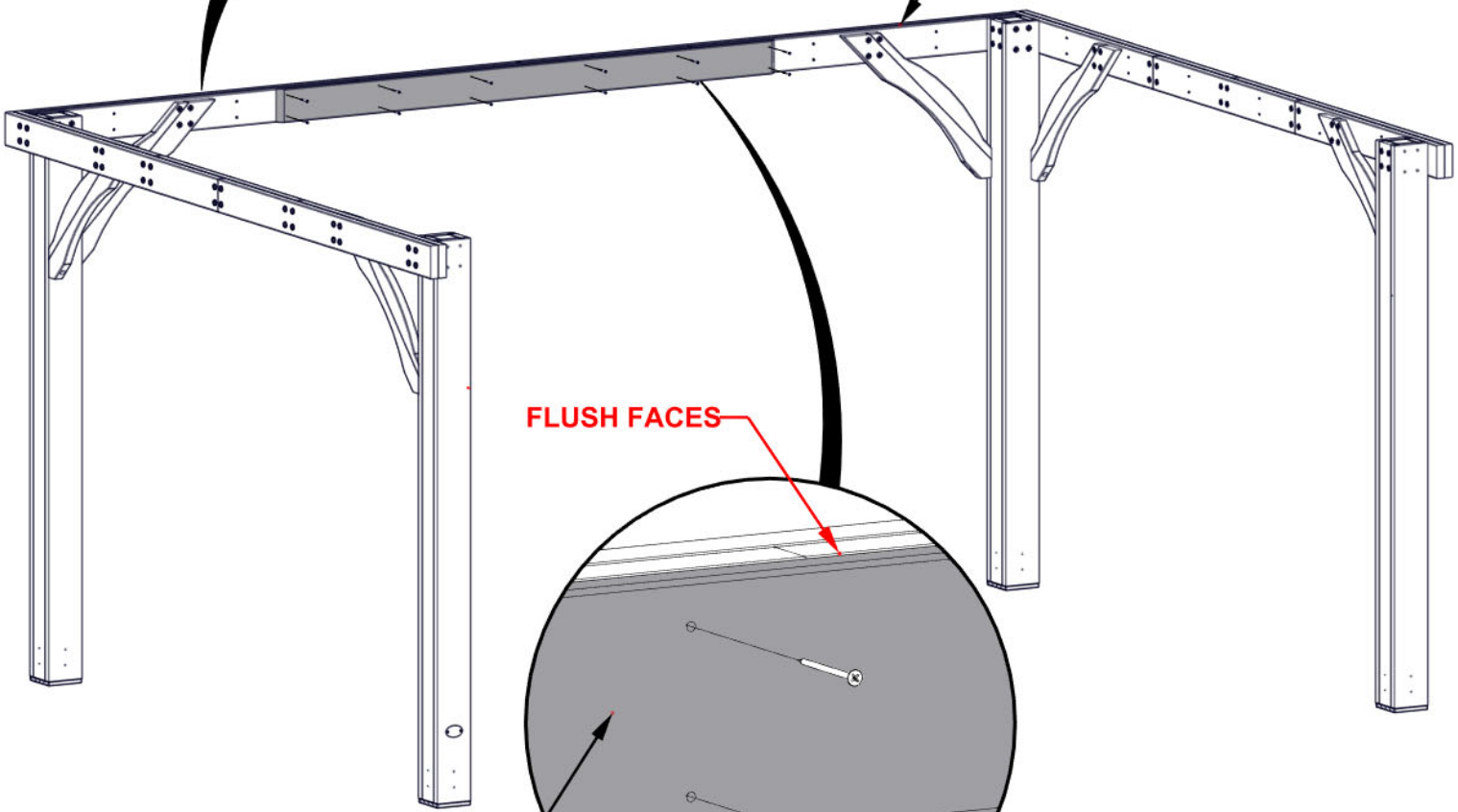


**G01 | COVER BOARD - W4L15313**  
 (1) | 1"x5 1/4"x89 1/2" (24x134x2274)



**FOR BOARD PLACEMENT, MEASURE AS SHOWN FROM CORNER OF CORBEL. USE PILOT HOLES TO ATTACH BOARD.**

**16FT ASSEMBLY FROM PREVIOUS STEPS**



**FLUSH FACES**

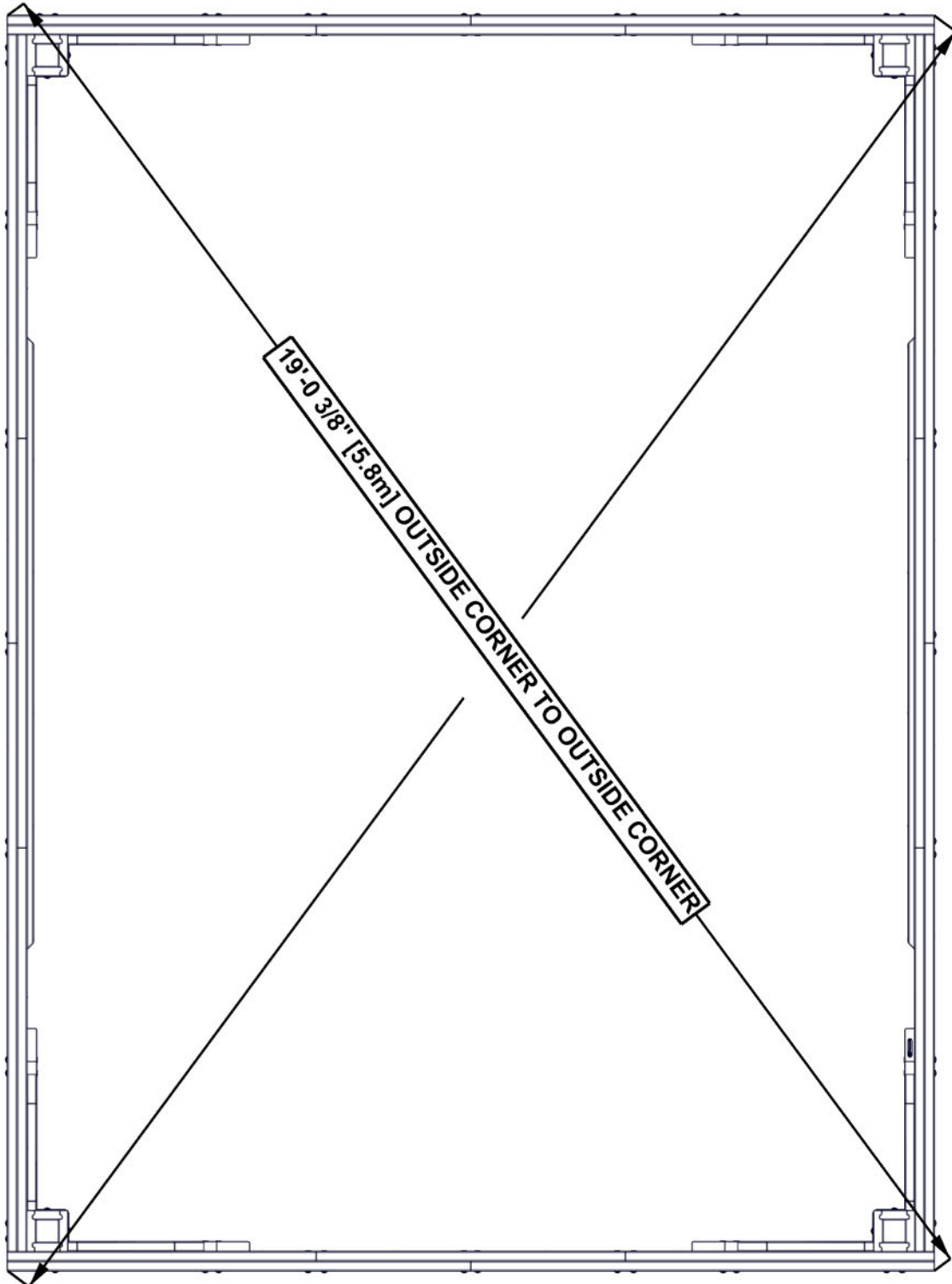
**G01 (x1)  
COVER BOARD**

**483 (x12)  
SCREW - 2 1/4"**

**REPEAT STEPS 7 THROUGH 10 FOR OPPOSITE  
SIDE 16FT BEAM ASSEMBLY**

# STEP 11

**CRITICAL: SQUARE UNIT BEFORE PROCEEDING TO NEXT STEPS.  
ONCE SQUARE, TIGHTEN ALL HARDWARE**

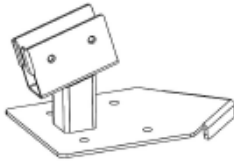


TOP VIEW



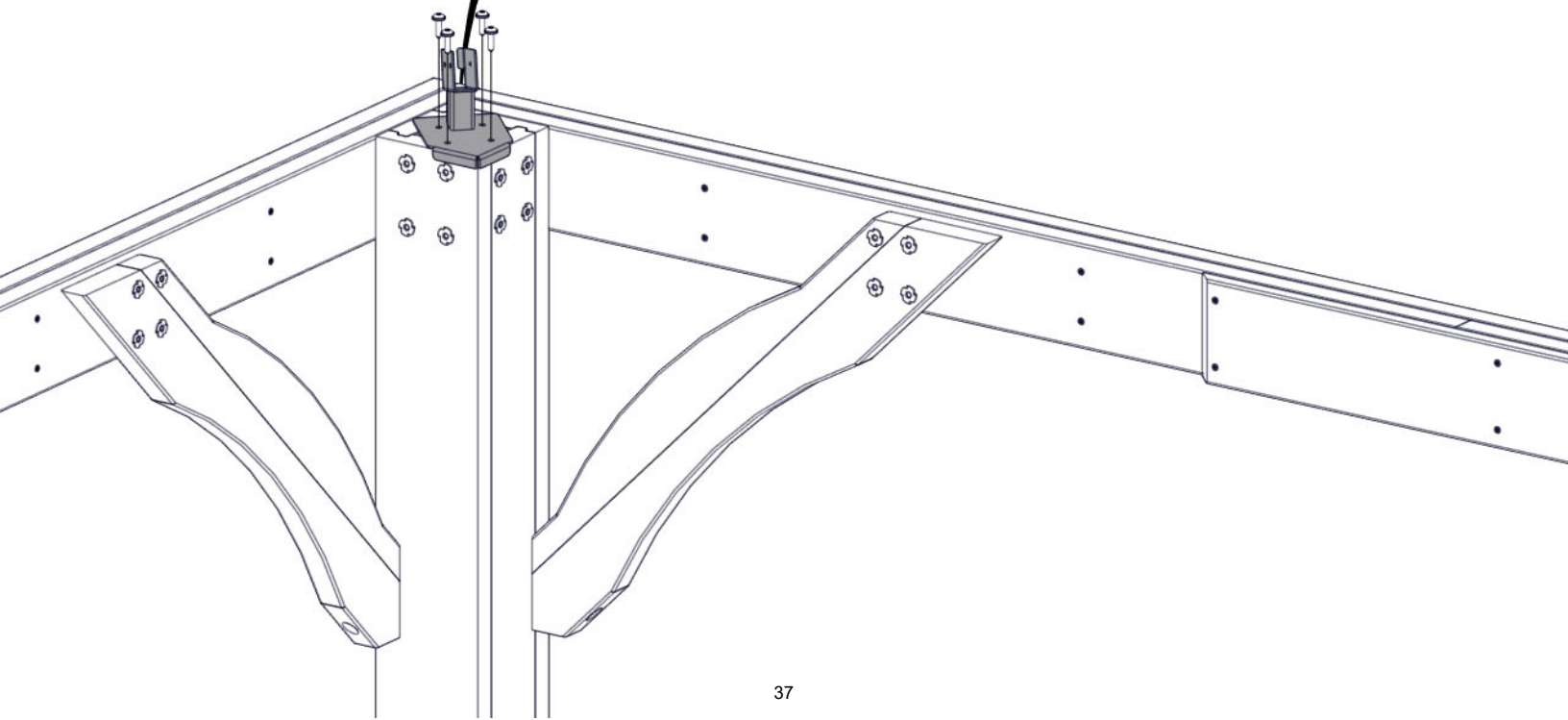
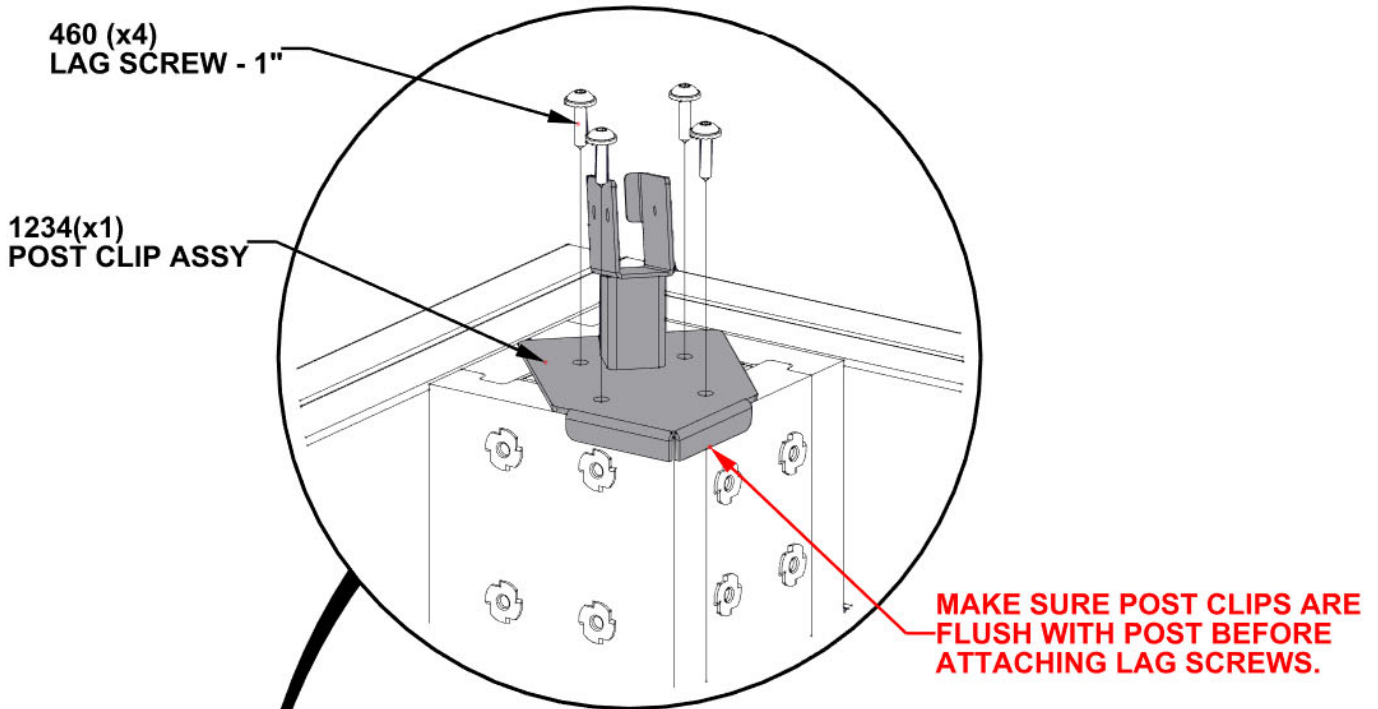
# STEP 12 - ROOF SUPPORT ASSEMBLY

Qty	PART NUMBER	DESCRIPTION
16	H100460	LAG SCREW WH 1/4x1 BLK



A4M01234 | POST CLIP  
(4)

**DO NOT OVERTIGHTEN**  
**REPEAT ON ALL FOUR POST**

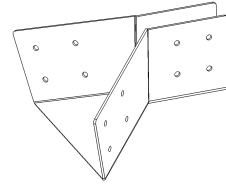


# STEP 13 - ROOF SUPPORT ASSEMBLY

Qty	PART NUMBER	DESCRIPTION
2	H100379	T-NUT 5/16 BLK
8	H100385	SCREW PFH 8x1 BLK

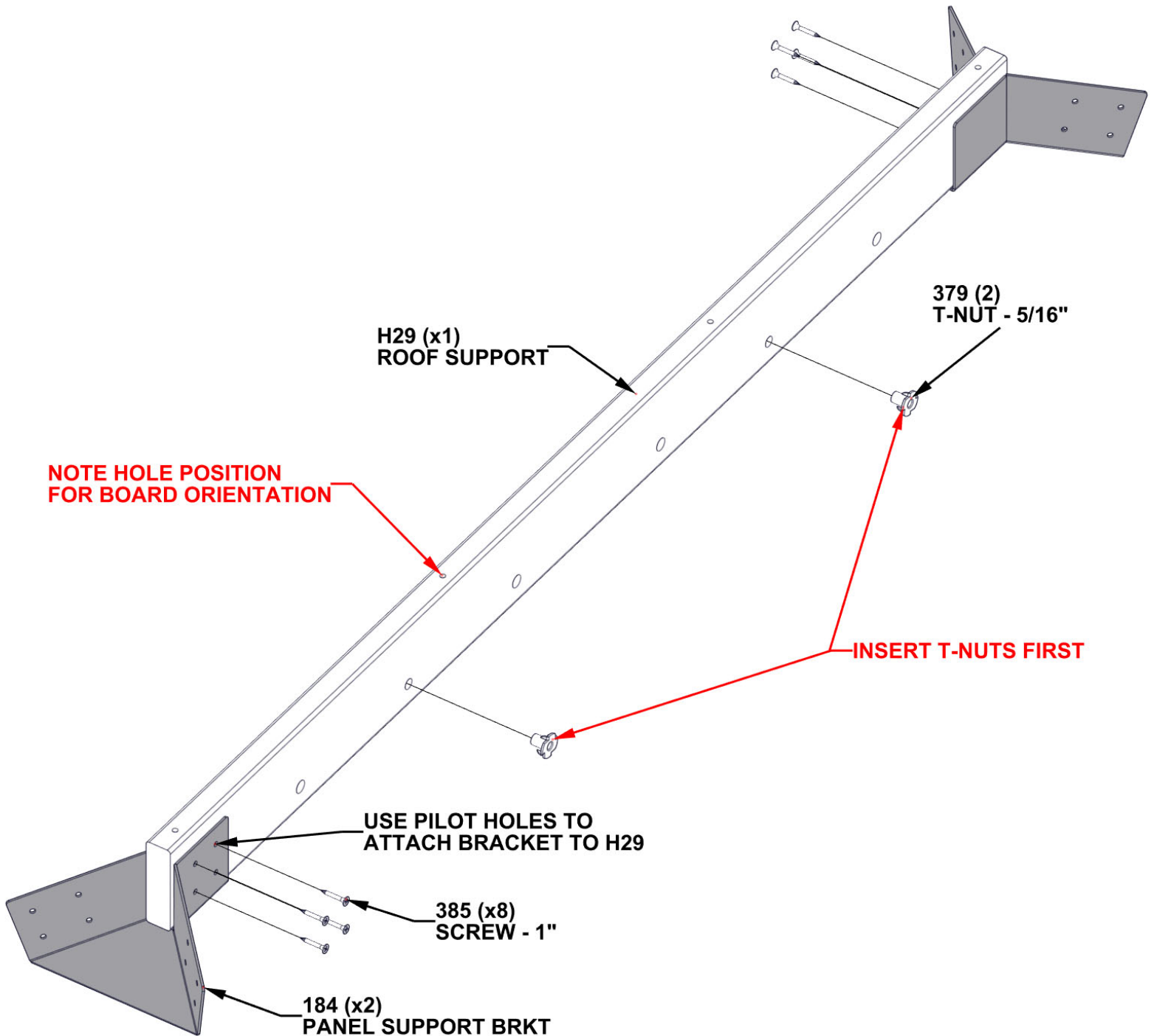


**H29** | ROOF SUPPORT- W4L15160  
 (1) 1"x3 3/8"x48 (24x86x1219)



**A4M01184** | PANEL SUPPORT BRACKET  
 (2)

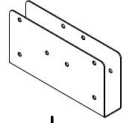
## INSERT T-NUTS FIRST



# STEP 14 - ROOF SUPPORT ASSEMBLY



**H01** | ROOF SUPPORT- W4L15194  
(4) | 1"x3 3/8"x54 1/8" (24x86x1374)



**A4M01237** | ROOF SUPPORT SPLICE CLIP  
(4)

Qty	PART NUMBER	DESCRIPTION
4	H100379	T-NUT 5/16 BLK
48	H100385	SCREW PFH 8x1 BLK

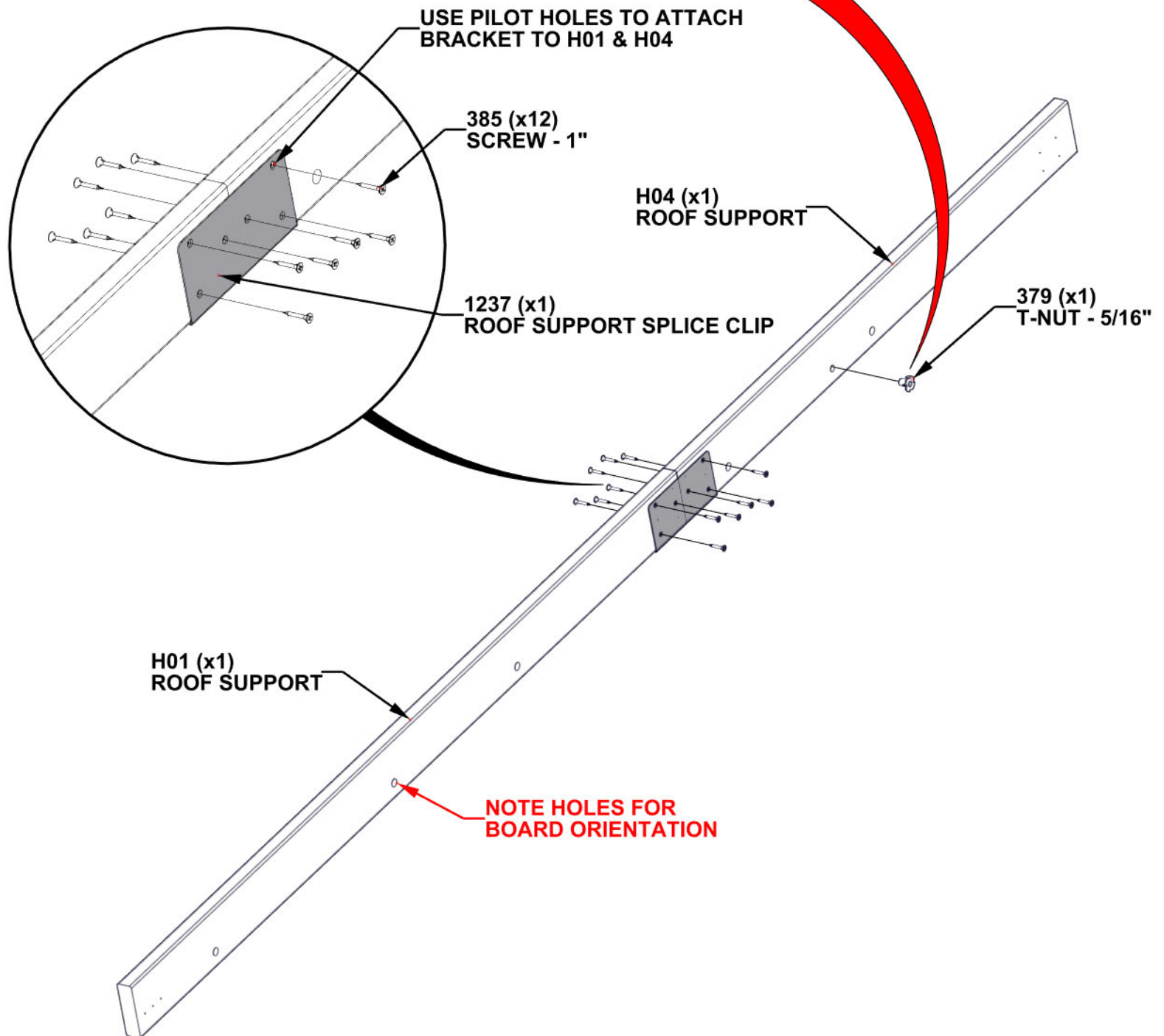


**H04** | ROOF SUPPORT - W4L15314  
(4) | 1"x3 3/8"x38 13/16" (24x86x986)

## INSERT T-NUTS FIRST

REPEAT FOUR TIMES

**IMPORTANT! THERE WILL BE FOUR OF THESE ASSEMBLIES. ASSEMBLE (2) WITH T-NUT ON SIDE AS SHOWN BELOW ASSEMBLE THE OTHER (2) WITH T-NUT IN SAME HOLE BUT ON OTHER SIDE OF BOARD H04**



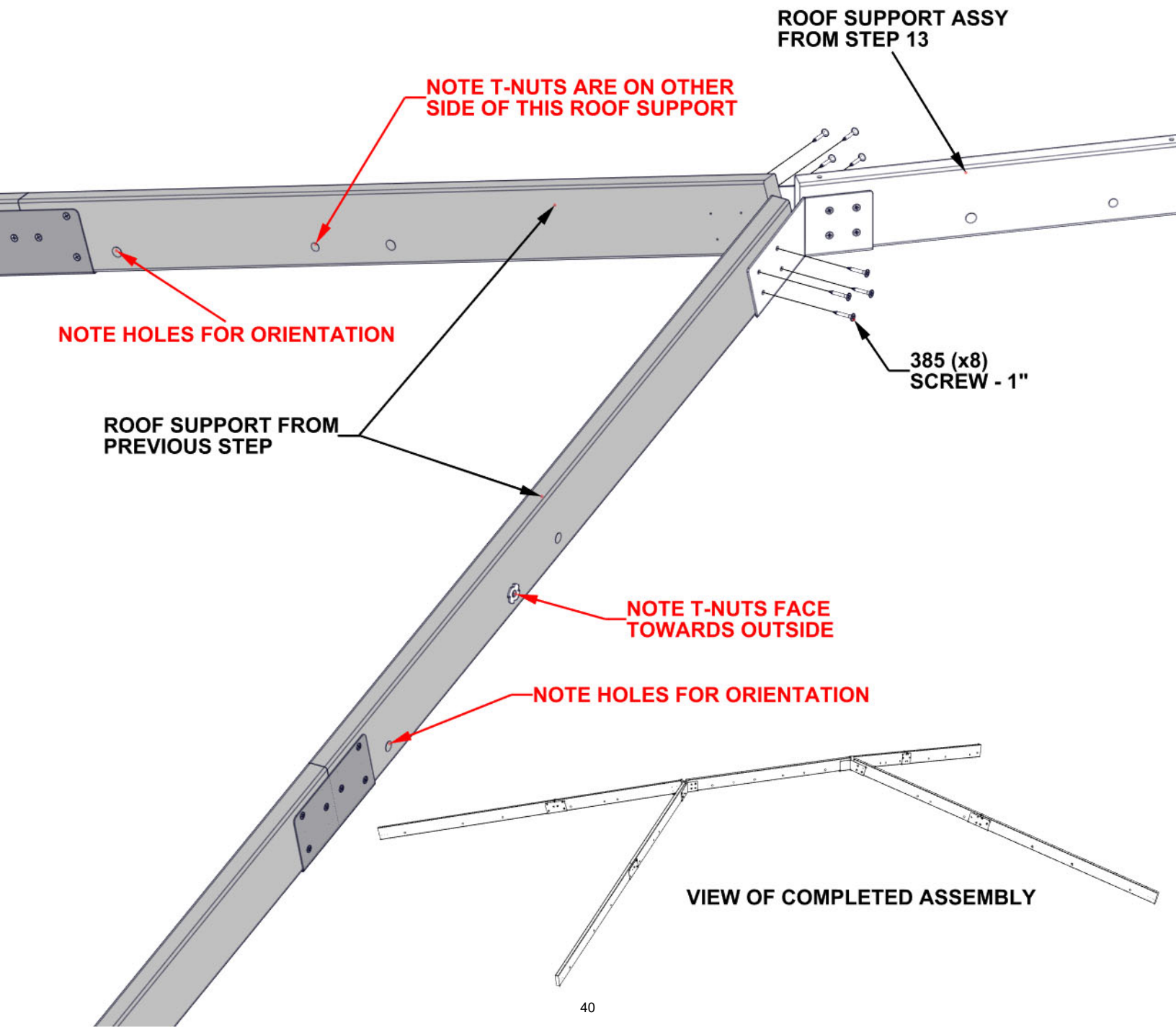
# STEP 15 - ROOF SUPPORT ASSEMBLY

Qty	PART NUMBER	DESCRIPTION
16	H100385	SCREW PFH 8x1 BLK



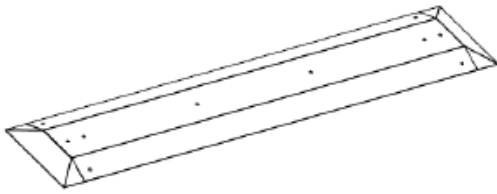
(x4) ROOF SUPPORT  
FROM PREVIOUS STEP

REPEAT ON OPPOSITE END OF ROOF SUPPORT BOARD

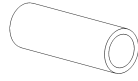


# STEP 16 - ROOF SUPPORT ASSEMBLY

Qty	PART NUMBER	DESCRIPTION
4	H100792	LAG SCREW WH 1/4x3 BLK
4	H101034	WEATHER PROOFING WASHER



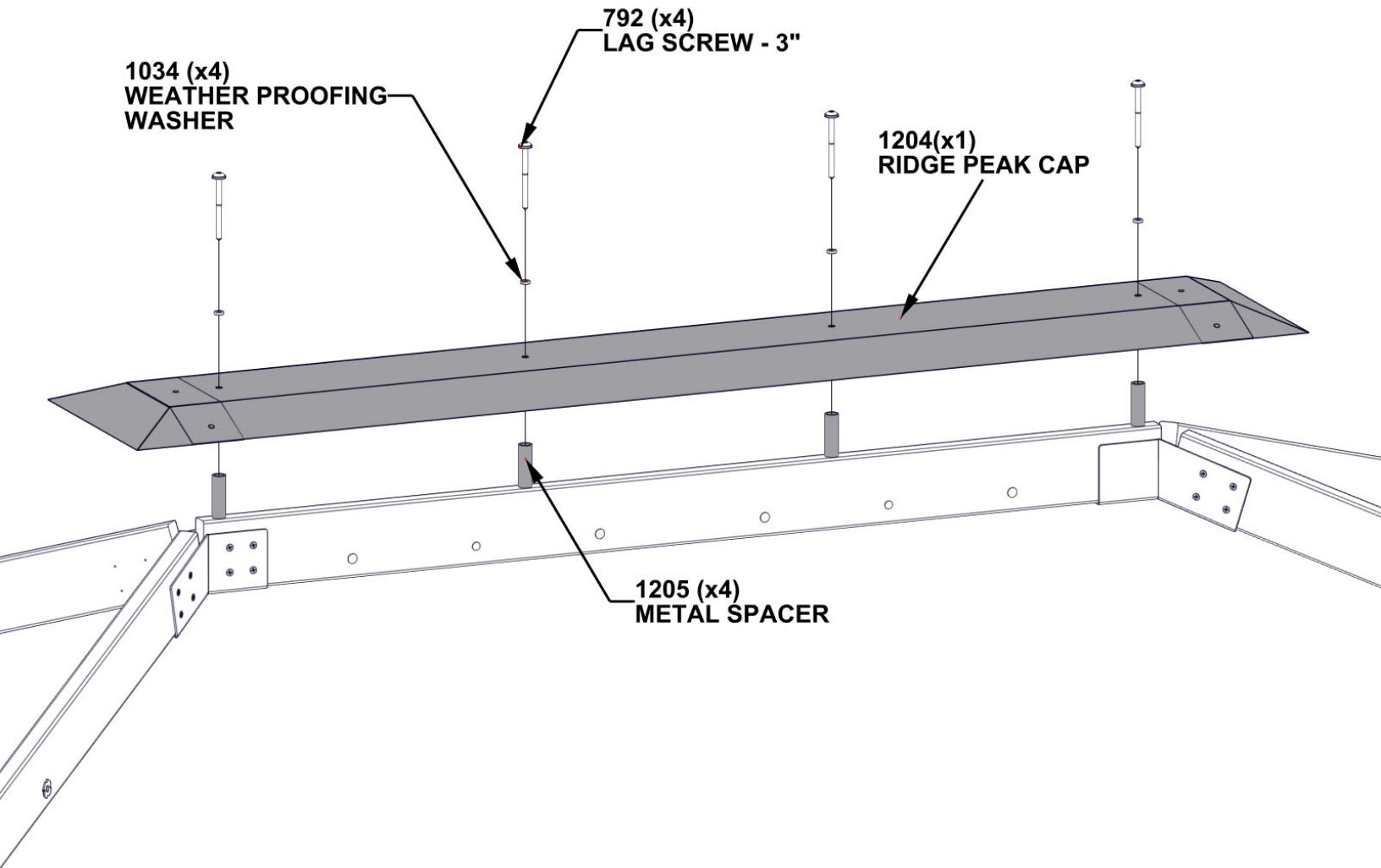
A4M01204 | RIDGE PEAK CAP  
(1)



A4M01205 | METAL SPACER  
(4)

**TIPS:**  
REMOVE PROTECTIVE BLUE FILM BEFORE ASSEMBLY

**WARNING: GLOVES ARE RECOMMENDED WHEN HANDLING STEEL ROOF PIECES**





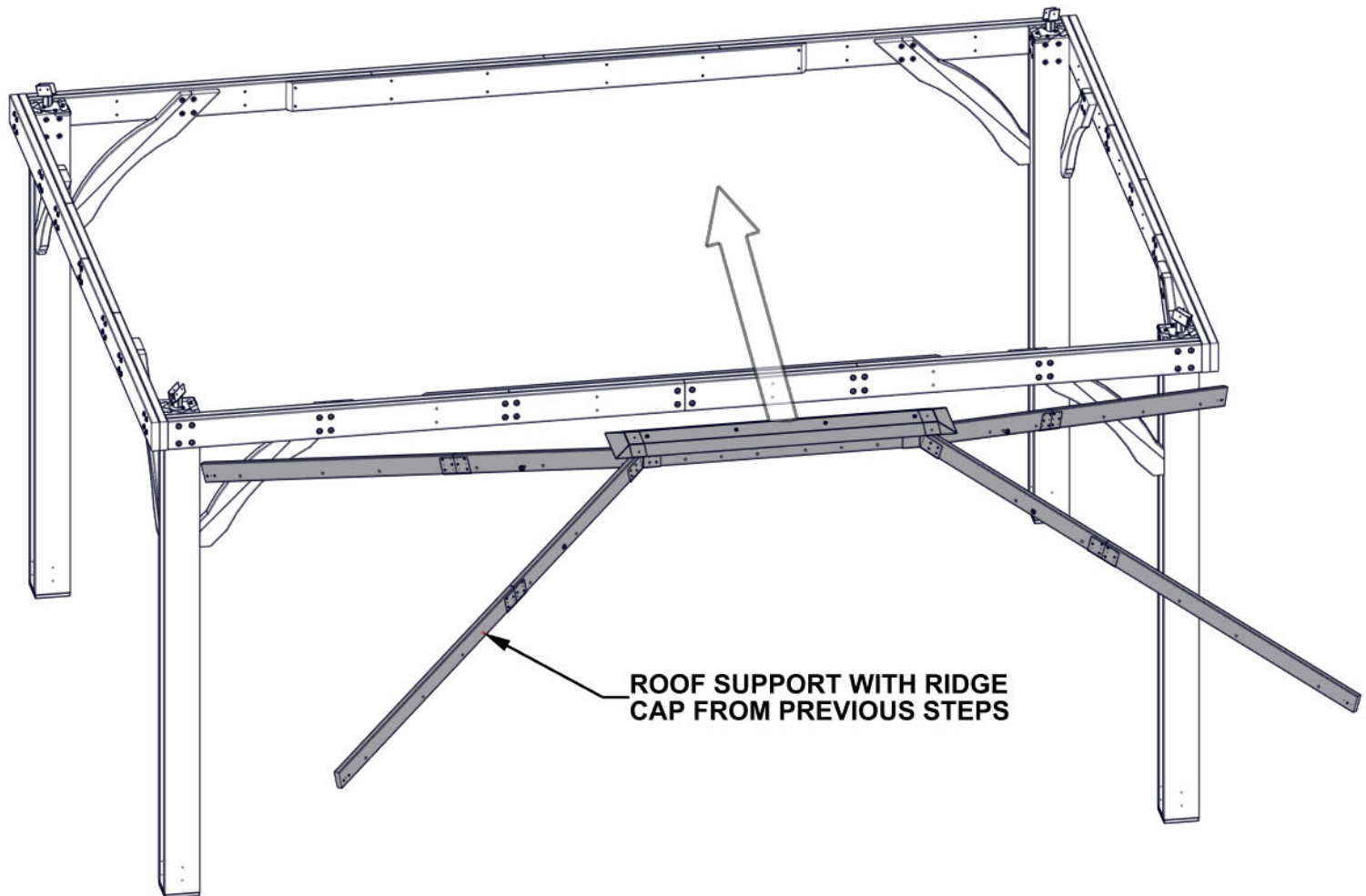
# STEP 17 - SUPPORT ASSEMBLY

**TIPS:**

**THREE PEOPLE ARE HELPFUL FOR THIS STEP.**

**POSITION A PERSON ON A LADDER IN THE CENTER OF THE BASE.**

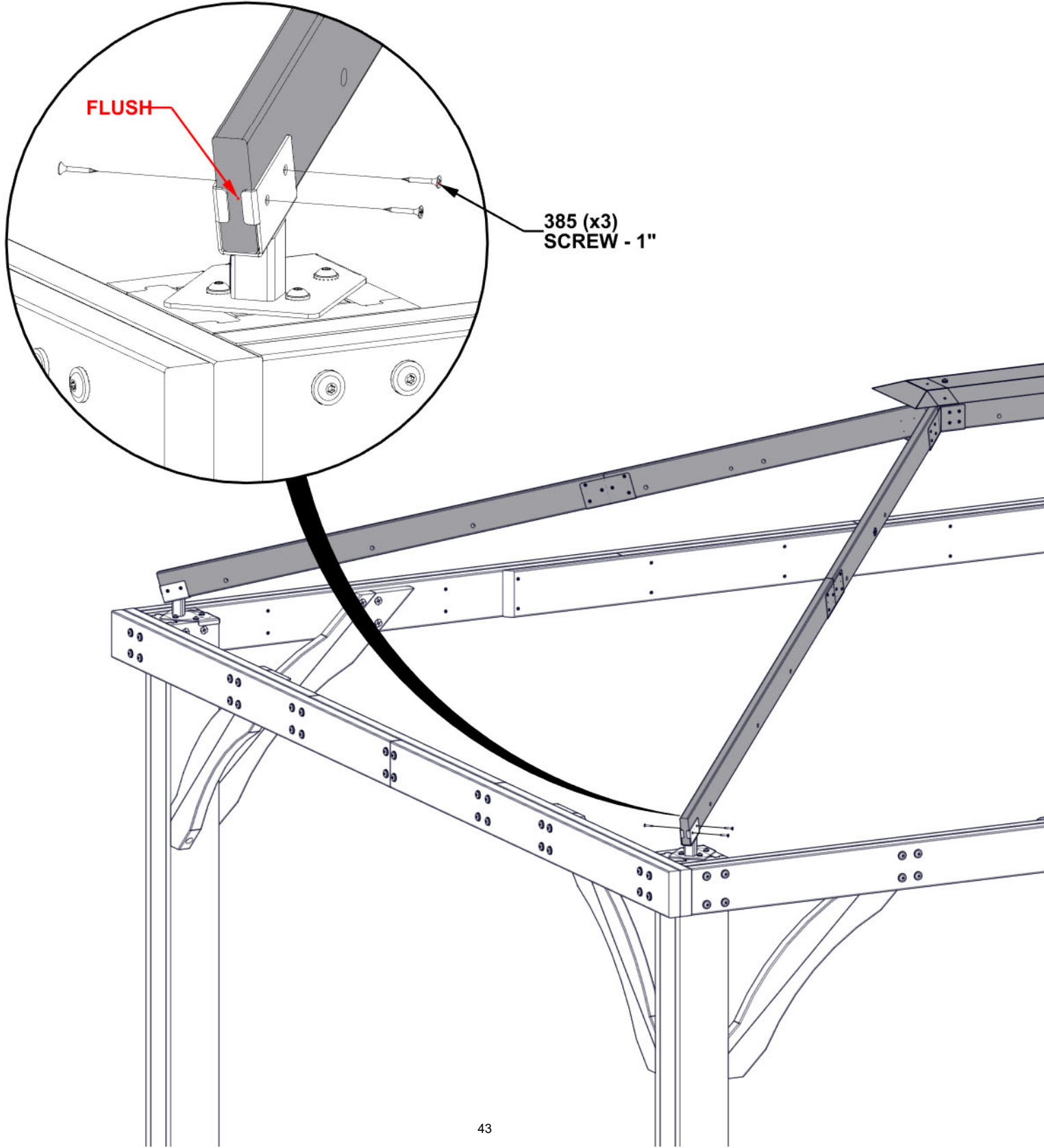
**LIFT ROOF SUPPORT UP AND OVER THE 16FT SIDE AND INSERT INTO CORNER POST CLIPS.**



# STEP 18 - ROOF SUPPORT ASSEMBLY

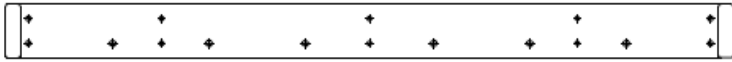
Qty	PART NUMBER	DESCRIPTION
12	H100385	SCREW PFH 8x1 BLK

REPEAT ON ALL FOUR POST

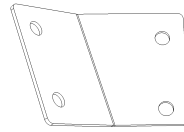


# STEP 19 - 16FT ROOF PANEL ASSEMBLY

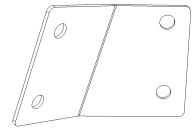
Qty	PART NUMBER	DESCRIPTION
4	H100171	BOLT WH 1/4x1 BLK
4	H100398	T-NUT 1/4 BLK



**H03** | ROOF JOIST - W4L15288  
(1) | 1"x3 3/8"x46 7/8" (24x86x580)

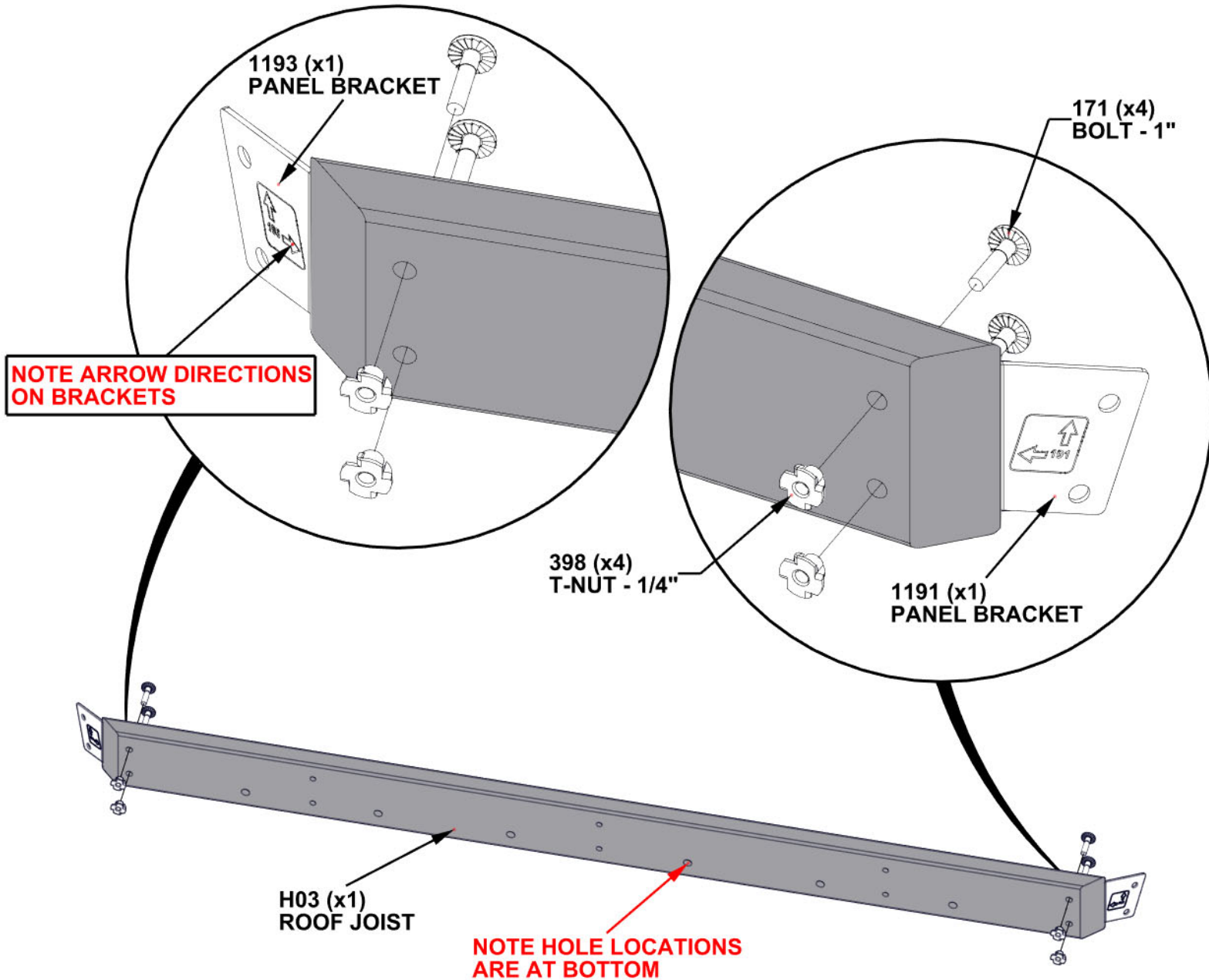


**A4M01193** | PANEL BRACKET  
(1)



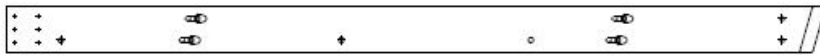
**A4M01191** | PANEL BRACKET  
(1)

**INSERT T-NUTS FIRST  
HAND TIGHTEN ONLY**

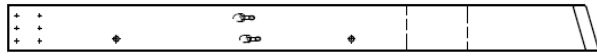




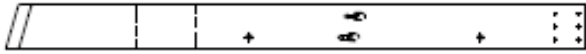
# STEP 20A - 16FT ROOF PANEL ASSEMBLY



**H09** | ROOF JOIST- W4L15297  
(1) 1"x3 3/8"x61 1/4" (24x86x1556)



**H10** | ROOF JOIST- W4L15298  
(1) 1"x3 3/8"x44 1/2" (24x86x1130)

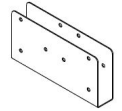


**H05** | ROOF JOIST - W4L15293  
(1) 1"x3 3/8"x44 1/2" (24x86x1130)

Qty	PART NUMBER	DESCRIPTION
24	H100385	SCREW PFH 8x1 BLK
4	H100398	T-NUT 1/4 BLK

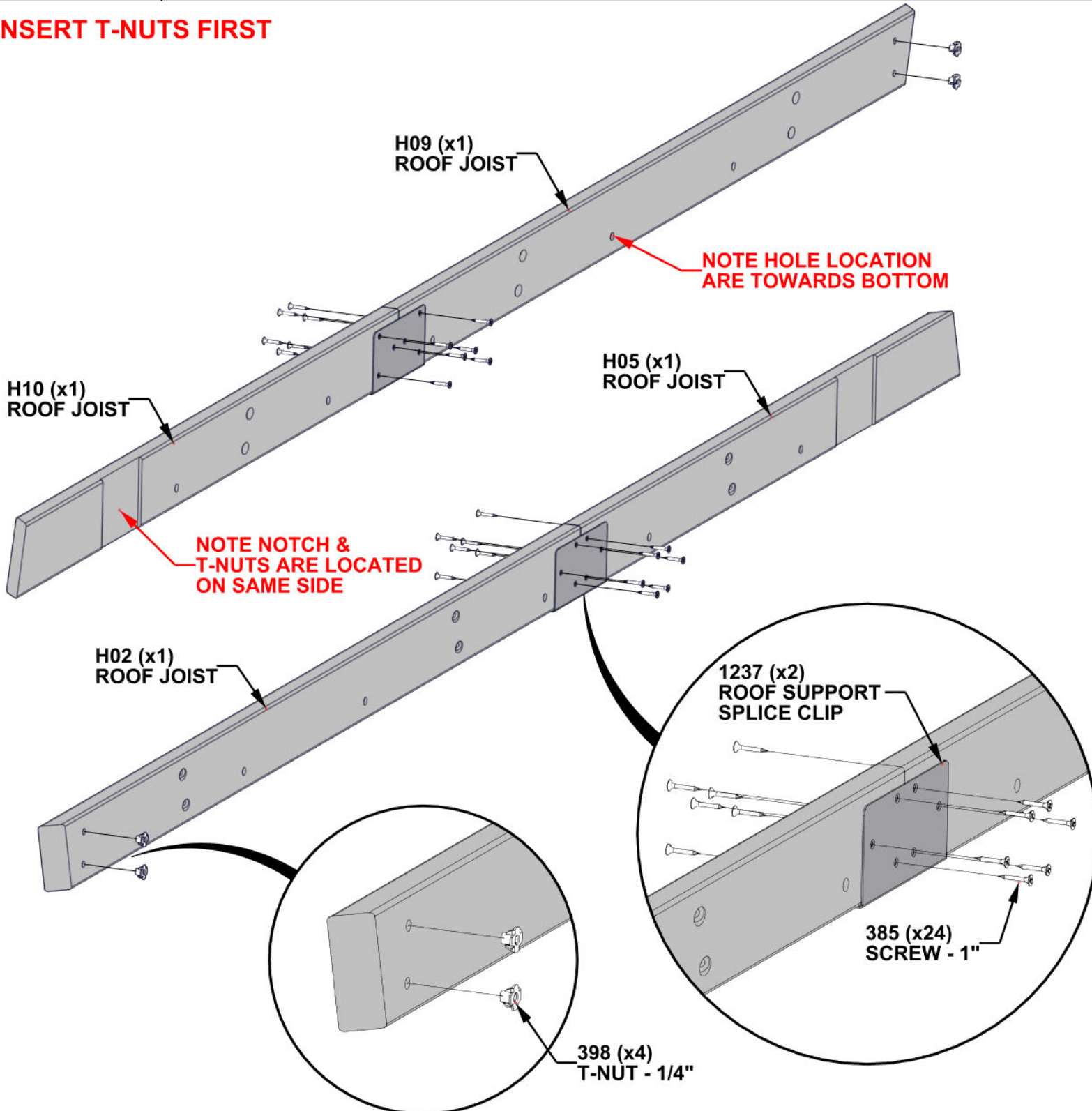


**H02** | ROOF JOIST- W4L15289  
(1) 1"x3 3/8"x61 1/4" (24x86x1556)



**A4M01237** | ROOF SUPPORT  
SPLICE CLIP  
(2)

## INSERT T-NUTS FIRST



# STEP 20B - 16FT ROOF PANEL ASSEMBLY

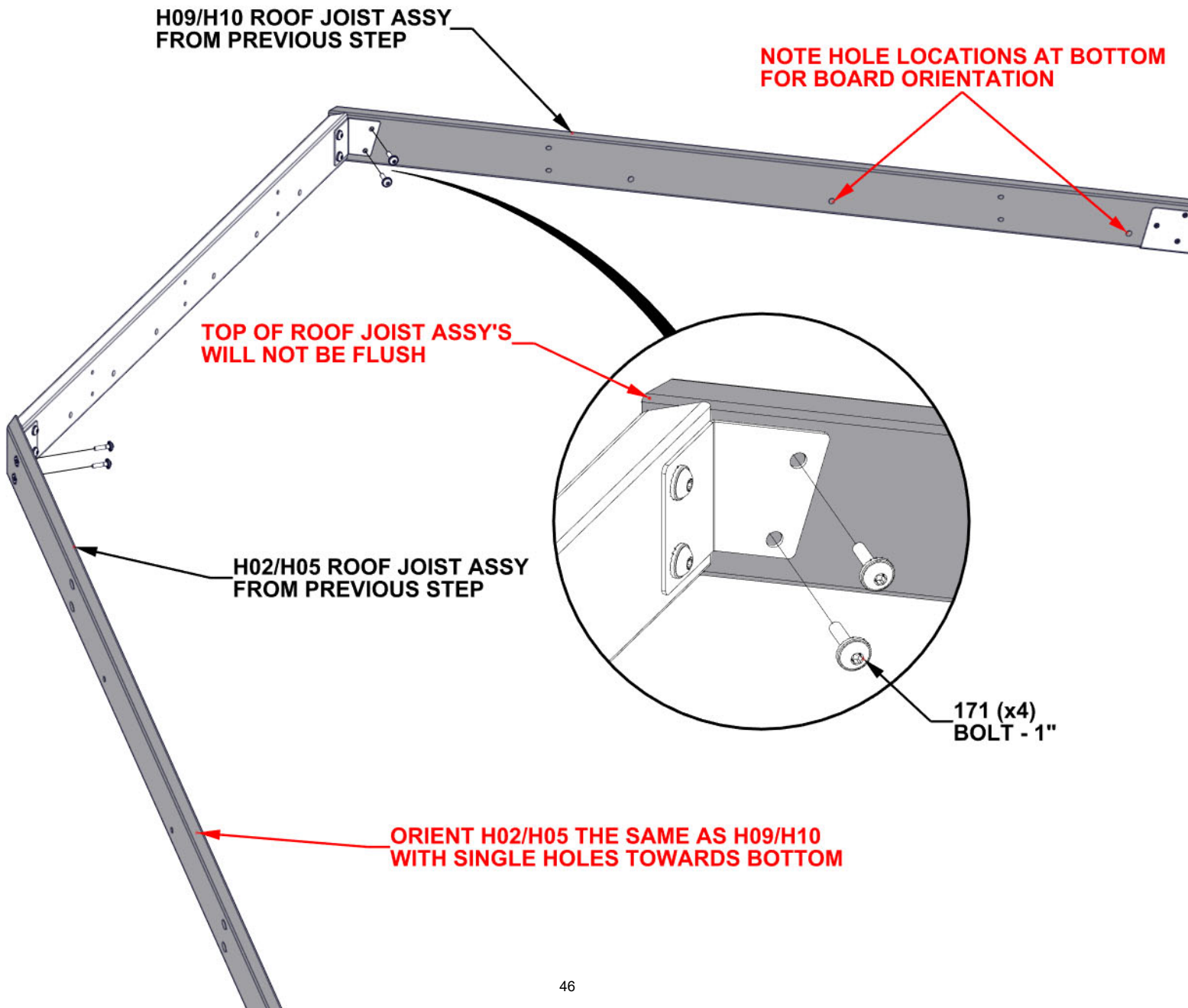
Qty	PART NUMBER	DESCRIPTION
4	H100171	BOLT WH 1/4x1 BLK



H09/H10 (x1) ROOF JOIST ASSY'S  
FROM PREVIOUS STEP



H02/H05 (x1) ROOF JOIST ASSY'S  
FROM PREVIOUS STEP



# STEP 21A - 16FT ROOF PANEL ASSEMBLY

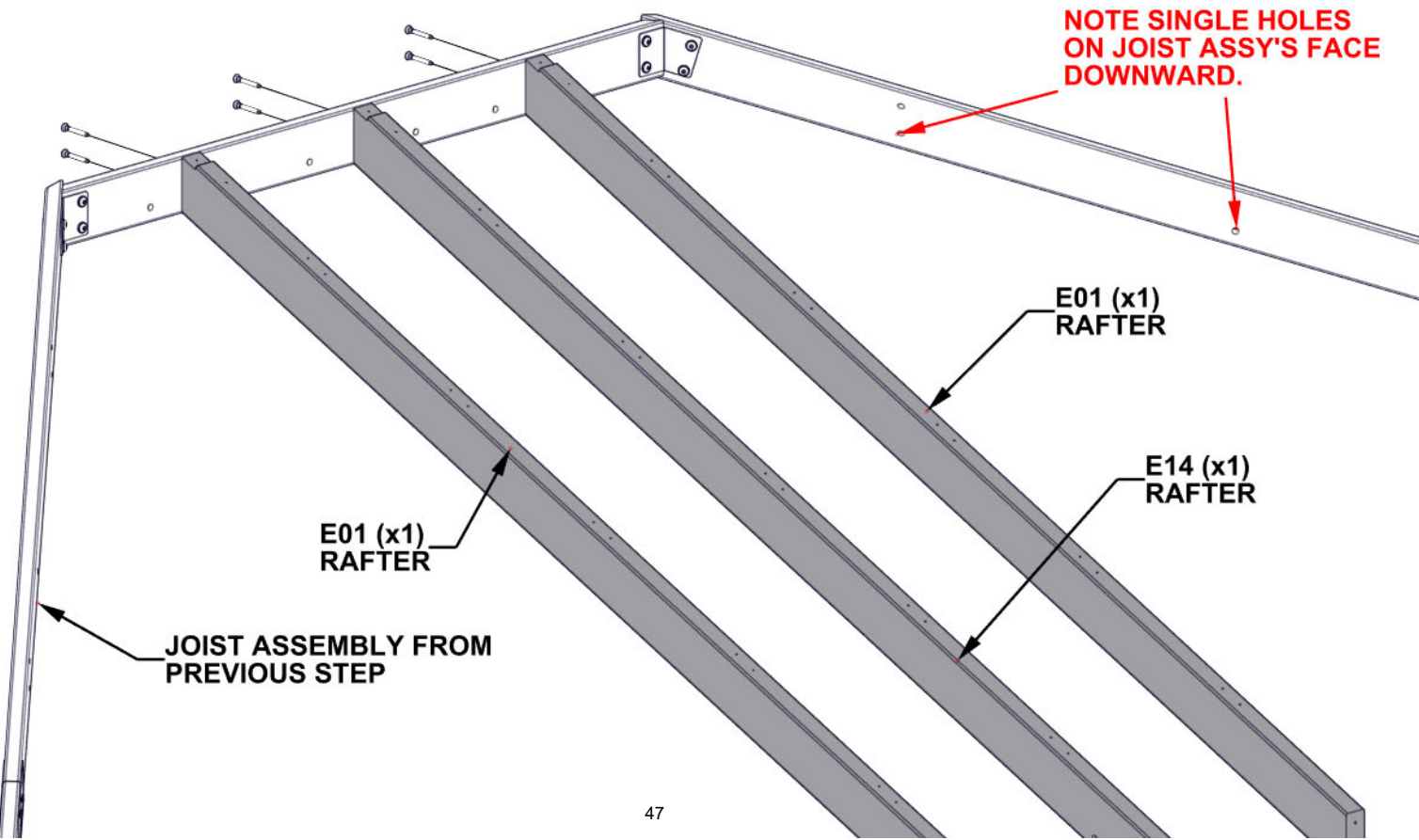
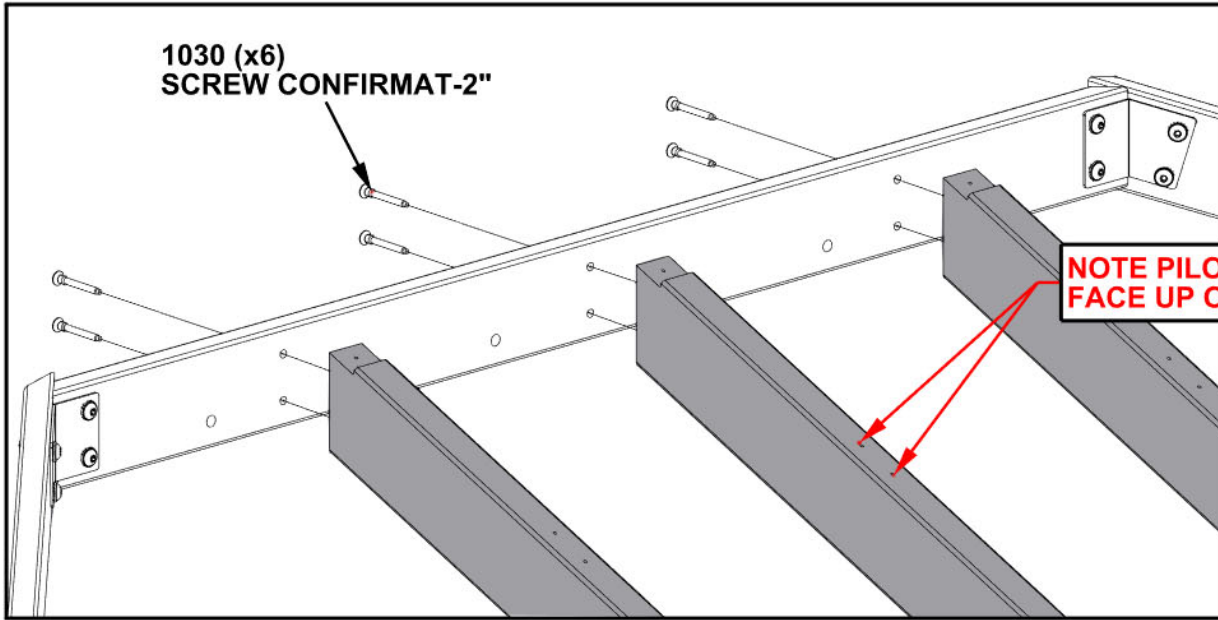
Qty	PART NUMBER	DESCRIPTION
6	H101030	SCREW 2" CONFIRMAT



**E01** | RAFTER- W4L15312  
 (2) | 1 3/8"x3 3/8"x76 11/16" (36x86x1948)



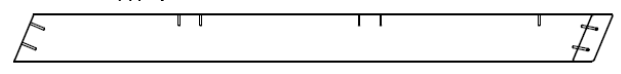
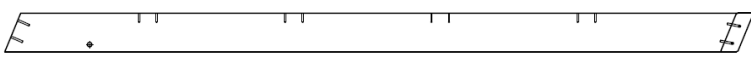
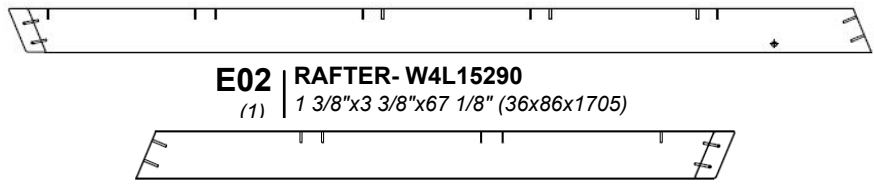
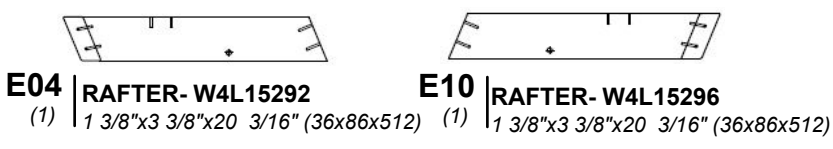
**E14** | RAFTER- W4L15299  
 (1) | 1 3/8"x3 3/8"x76 11/16" (36x86x1948)



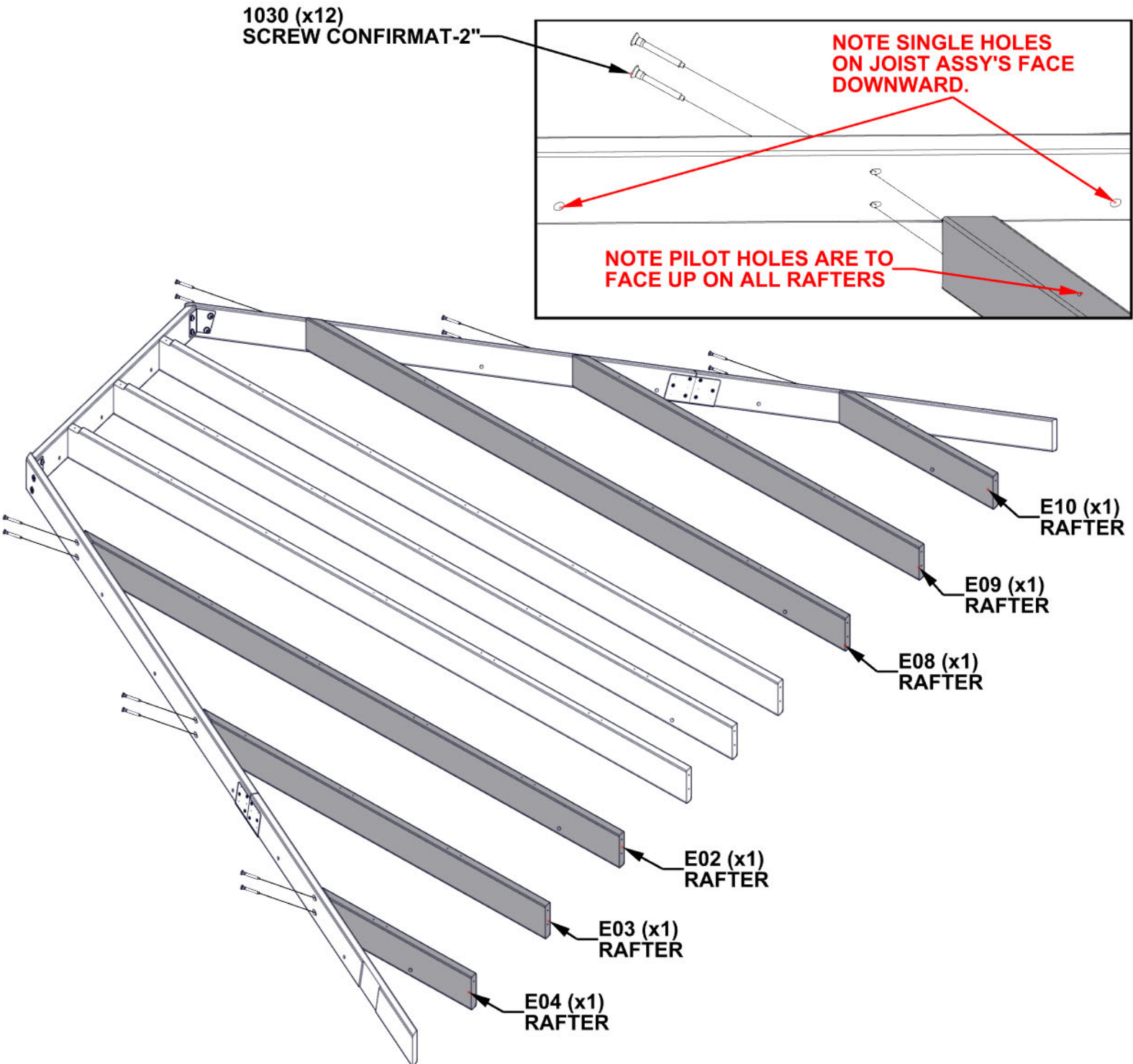
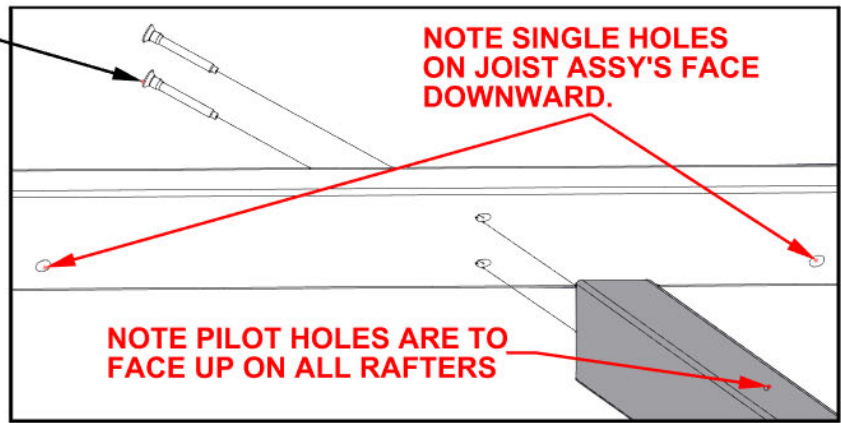


# STEP 21B - 16FT ROOF PANEL ASSEMBLY

Qty	PART NUMBER	DESCRIPTION
12	H101030	SCREW 2" CONFIRMAT



1030 (x12)  
SCREW CONFIRMAT-2"

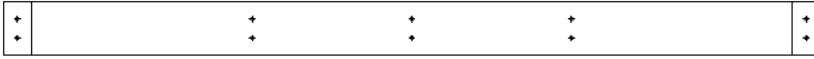


# STEP 22A - 16FT ROOF PANEL ASSEMBLY

Qty	PART NUMBER	DESCRIPTION
4	H100382	SCREW PFH 8x1 3/4 BLK
18	H101030	SCREW 2" CONFIRMAT

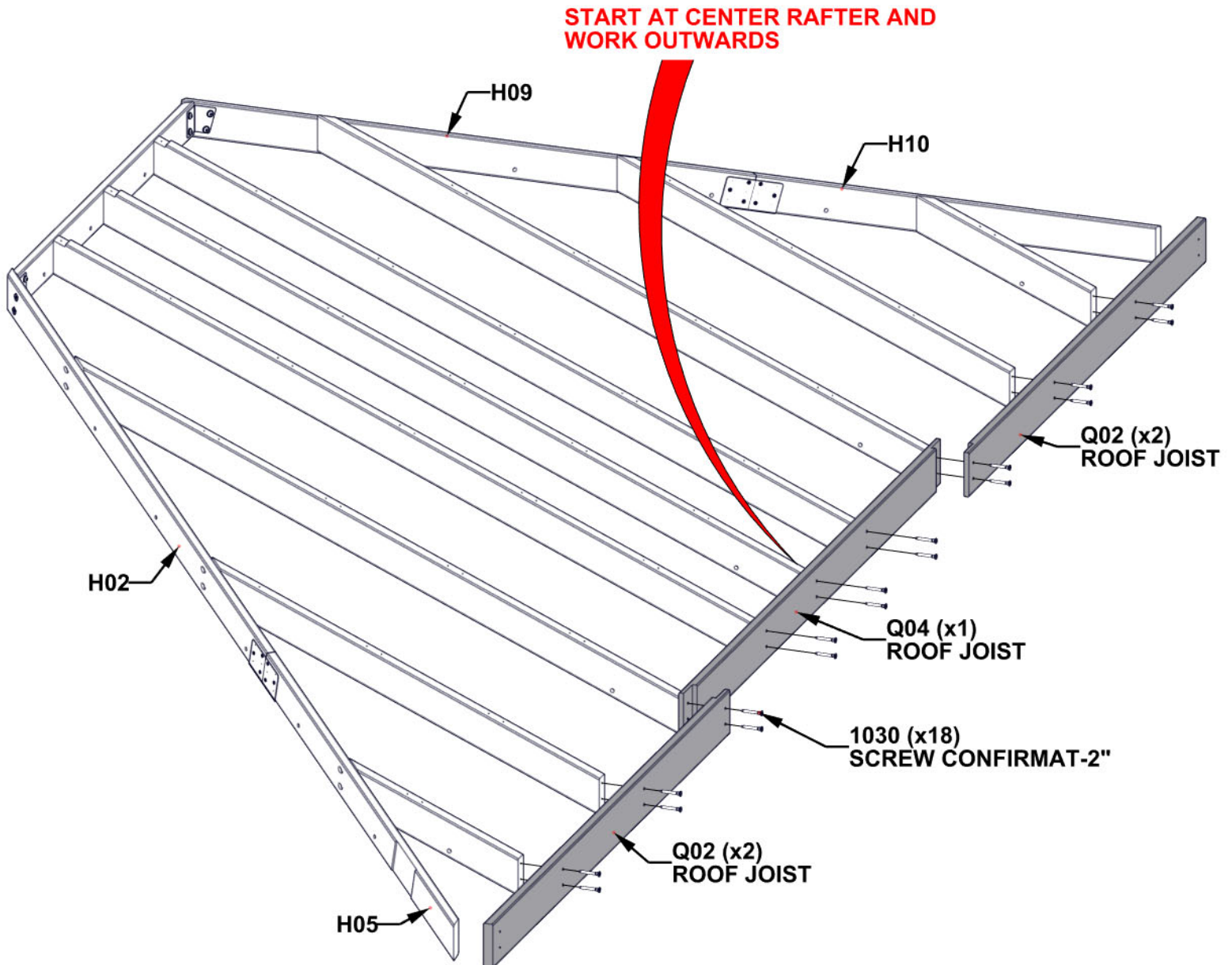


**Q02** | ROOF JOIST- W4L15300  
 (2) | 1"x4 7/16"x63 13/16" (24x112x1605)



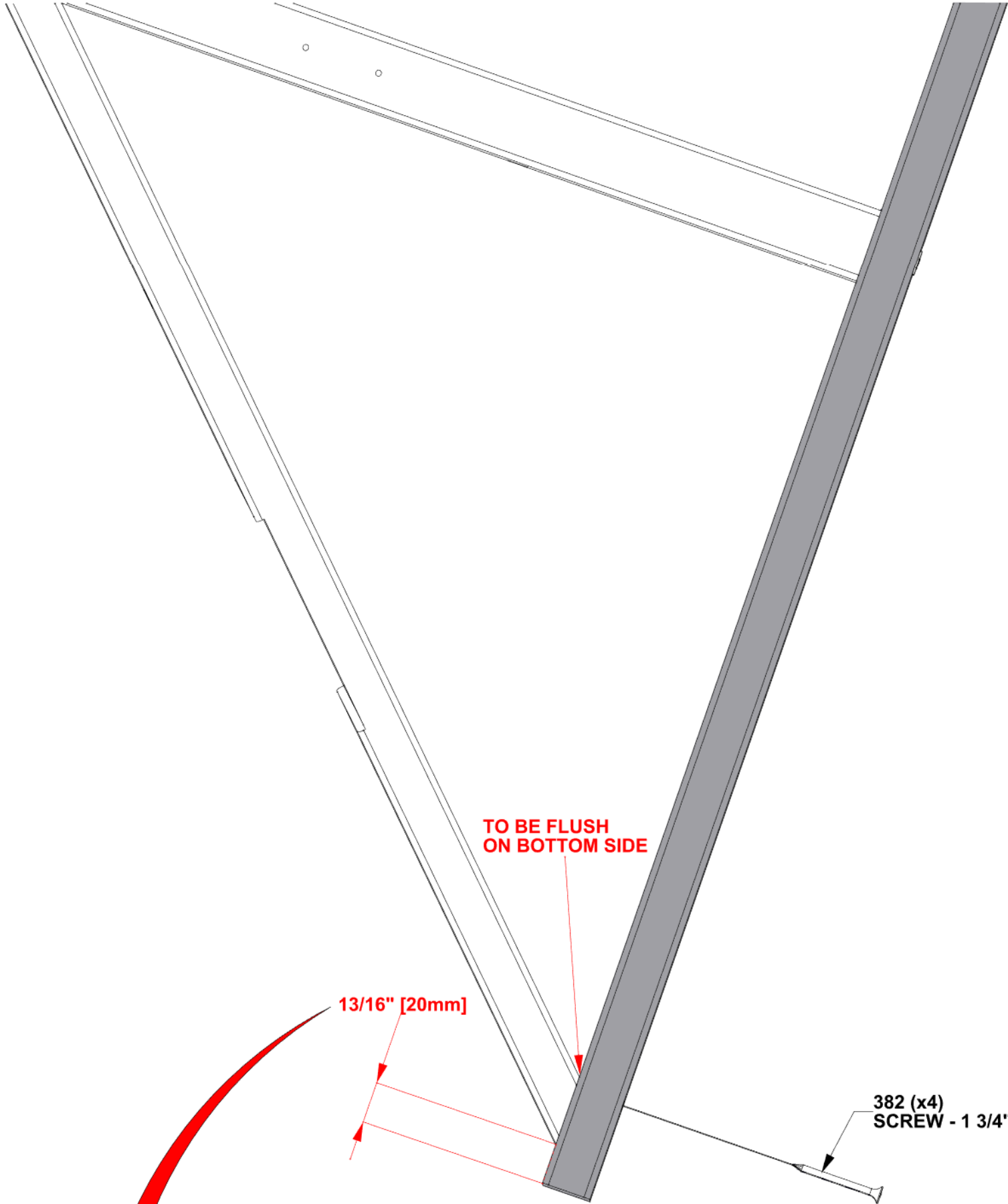
**Q04** | ROOF JOIST- W4L1301  
 (1) | 1"x4 7/16"x68 1/2" (24x112x1740)

**TIP: RAFTERS MAY NEED TO BE LOOSENED UP TO ATTACH Q02 TO H05/H10**



# STEP 22B - 164FT ROOF PANEL ASSEMBLY

**TIPS:**  
USING THE Q02 BOARD AS A GUID AND A 1/8" DRILL BIT, DRILL PILOT HOLES INTO THE H05 BOARD  
USING THE DIMENSION BELOW.  
REPEAT ON OPPOSITE END WITH H10 BOARD.



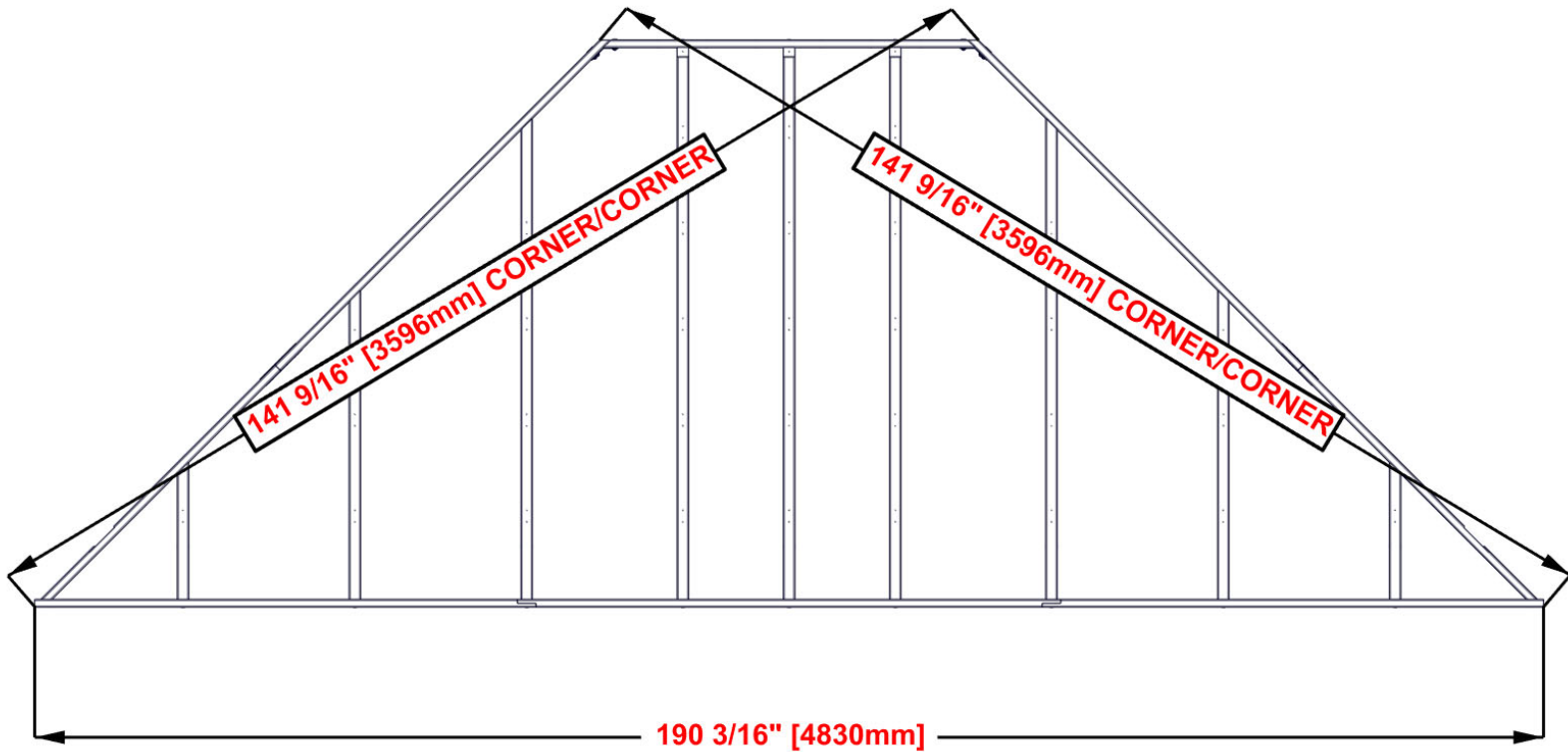
**THIS DIMENSION IS CRITICAL TO THE PANEL ASSEMBLY**

# STEP 22C - 16FT ROOF PANEL ASSEMBLY

TIP: LOOSEN HARDWARE TO ADJUST FOR SQUARING IF NEEDED.

**CRITICAL:**

- SQUARE UNIT BEFORE PROCEEDING TO NEXT STEPS.
- THE BELOW DIMENSIONS ARE CRITICAL TO THE FINAL ROOF ASSEMBLY.
- MEASUREMENTS SHOULD BE WITHIN +/- 1/4"
- MEASUREMENTS OUTSIDE OF TOLERANCE WILL LEAD TO THE INABILITY TO ASSEMBLE THE ROOF.



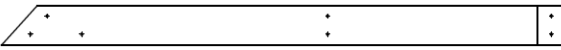


# STEP 23A - 16FT ROOF PANEL ASSEMBLY



**T01** | PURLIN - W4L15227  
(1) | 1"x1 5/16"x51 1/2" (24x34x1308)

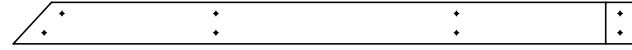
Qty	PART NUMBER	DESCRIPTION
3	H100200	SCREW PFH 8x1 1/2 BLK
42	H100391	SCREW PFH 8x2 BLK



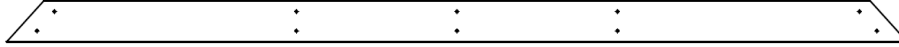
**H16** | PURLIN - W4L15305  
(2) | 1"x3 3/8"x49 9/16" (24x86x1259)



**H17** | PURLIN - W4L15306  
(1) | 1"x1 3/8"x29 1/8" (24x86x740)

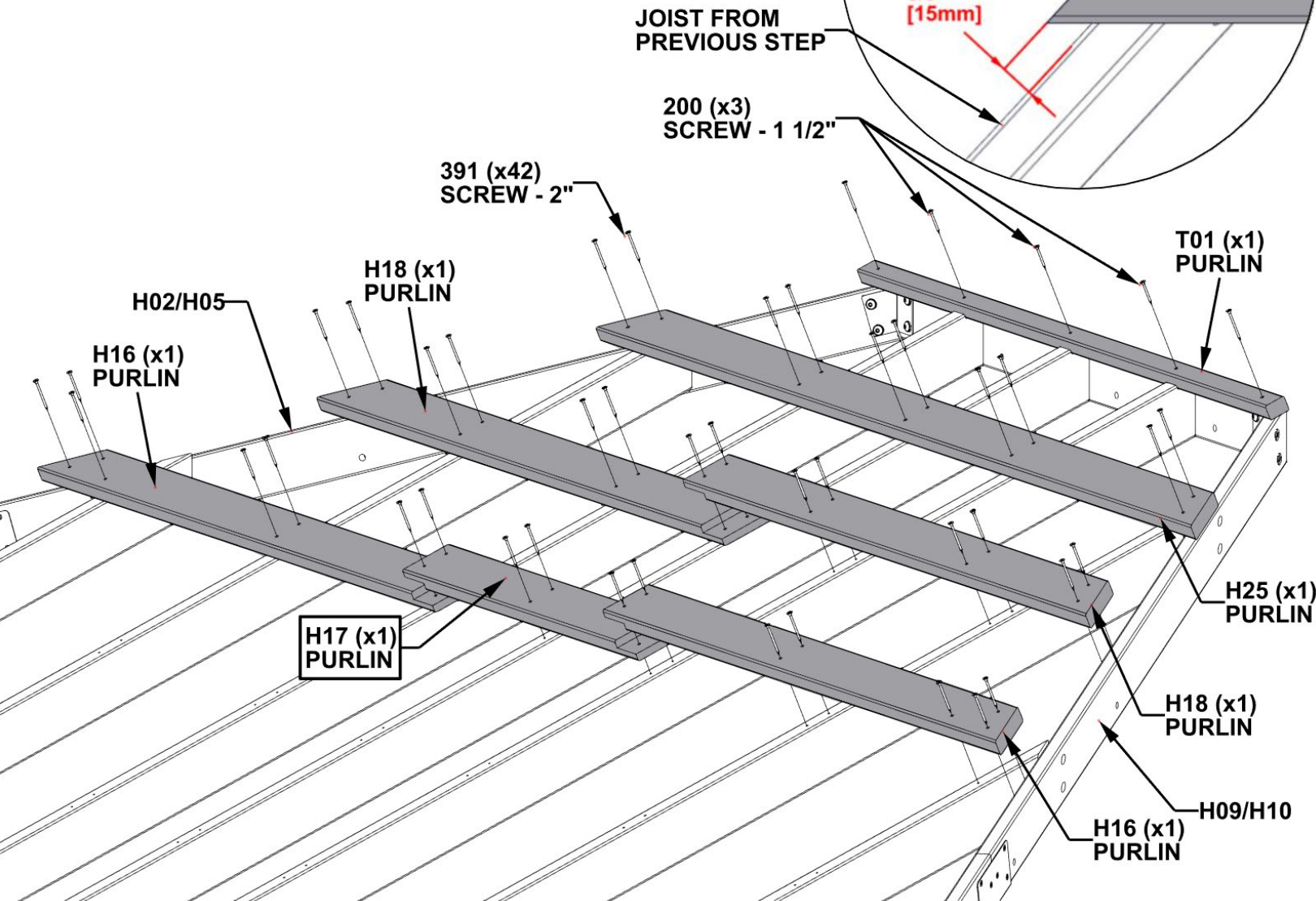
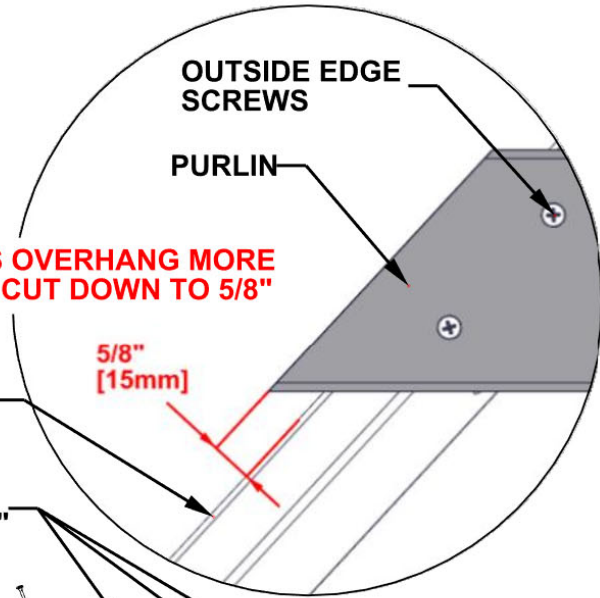


**H18** | PURLIN - W4L15307  
(2) | 1"x3 3/8"x50 13/16" (24x86x1291)



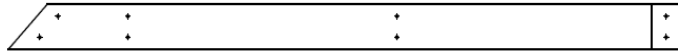
**H25** | PURLIN - W4L15308  
(1) | 1"x3 3/8"x75 1/16" (24x86x1907)

- TIPS:**
- ALIGN PURLIN PILOT HOLES WITH RAFTER PILOT HOLES
  - ATTACH SCREWS FROM THE CENTER AND WORK OUTWARDS.
  - H02/H05 AND H09/H10 BOARDS DO NOT HAVE PILOT HOLES FOR OUTSIDE EDGE SCREWS.
  - USING THE PURLINS AS A GUIDE AND A 1/8" DRILL BIT, DRILL PILOT HOLES INTO H02/H05 AND H09/H10 BOARDS.



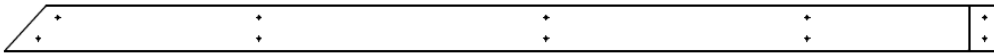


# STEP 23B - 16FT ROOF PANEL ASSEMBLY



**H14** | PURLIN - W4L15303  
(2) 1"x3 3/8"x54 1/8" (24x86x1374)

Qty	PART NUMBER	DESCRIPTION
40	H100391	SCREW PFH 8x2 BLK



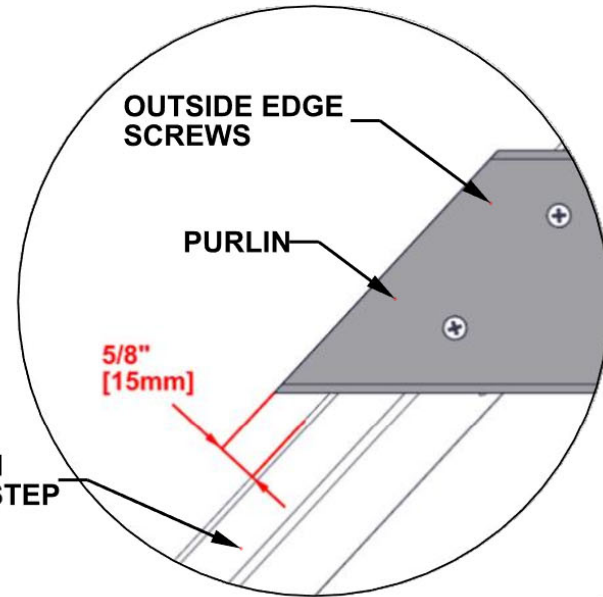
**H15** | PURLIN - W4L15304  
(2) 1"x3 3/8"x75 1/16" (24x86x1906)



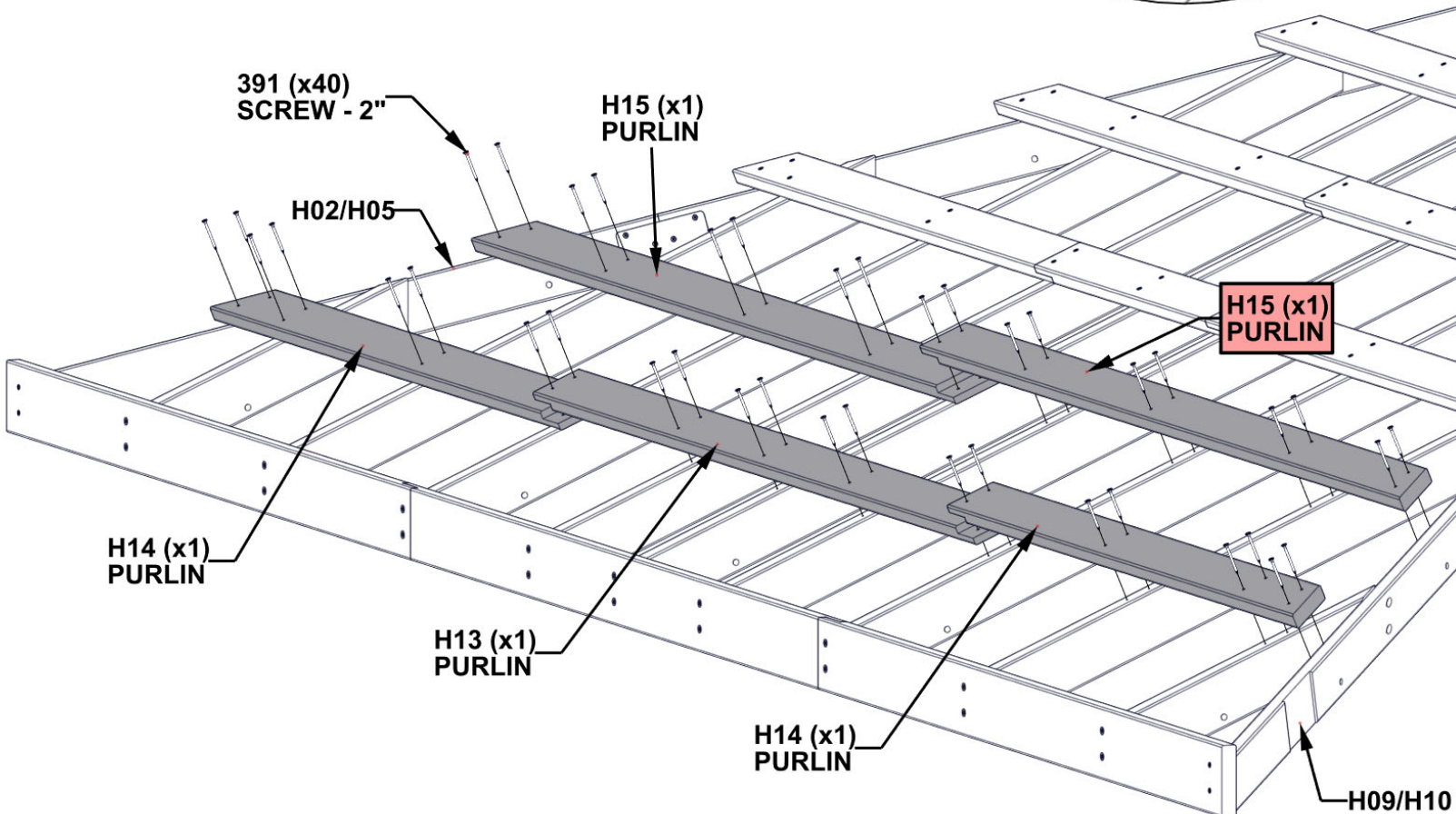
**H13** | PURLIN - W4L15302  
(1) 1"x3 3/8"x68 1/2" (24x86x1740)

## TIPS:

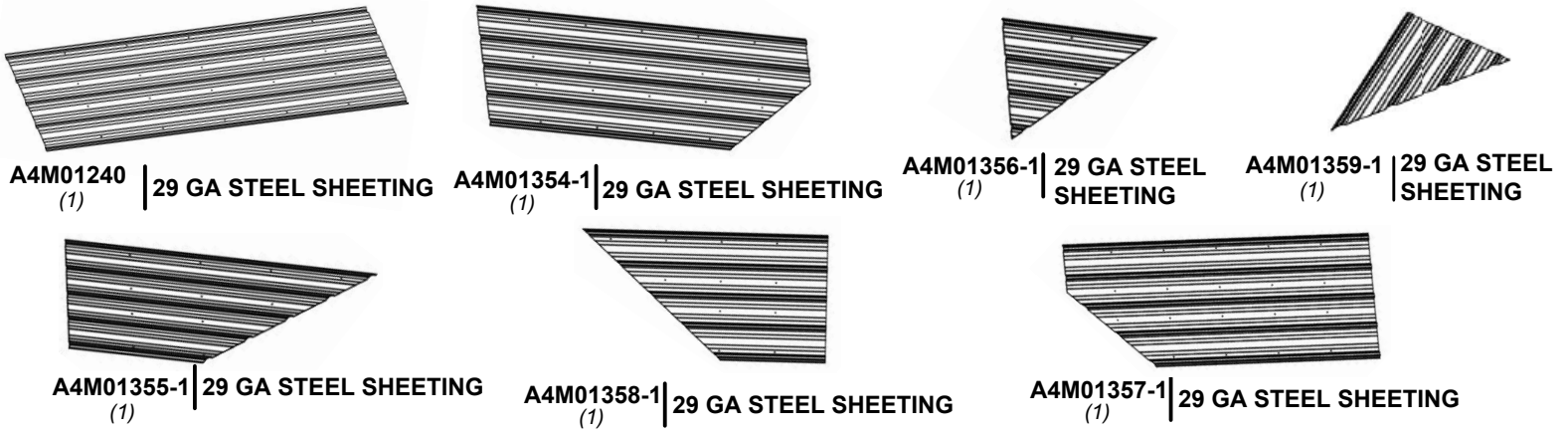
- ALIGN PURLIN PILOT HOLES WITH RAFTER PILOT HOLES
- ATTACH SCREWS FROM THE CENTER AND WORK OUTWARDS.
- H02/H05 AND H09/H10 BOARDS DO NOT HAVE PILOT HOLES FOR OUTSIDE EDGE SCREWS.
- USING THE PURLINS AS A GUIDE AND A 1/8" DRILL BIT, DRILL PILOT HOLES INTO H02/H05 AND H09/H10 BOARDS.



**IF PURLINS OVERHANG MORE THAN 5/8", CUT DOWN TO 5/8"**



# STEP 24 - 16FT ROOF PANEL ASSEMBLY

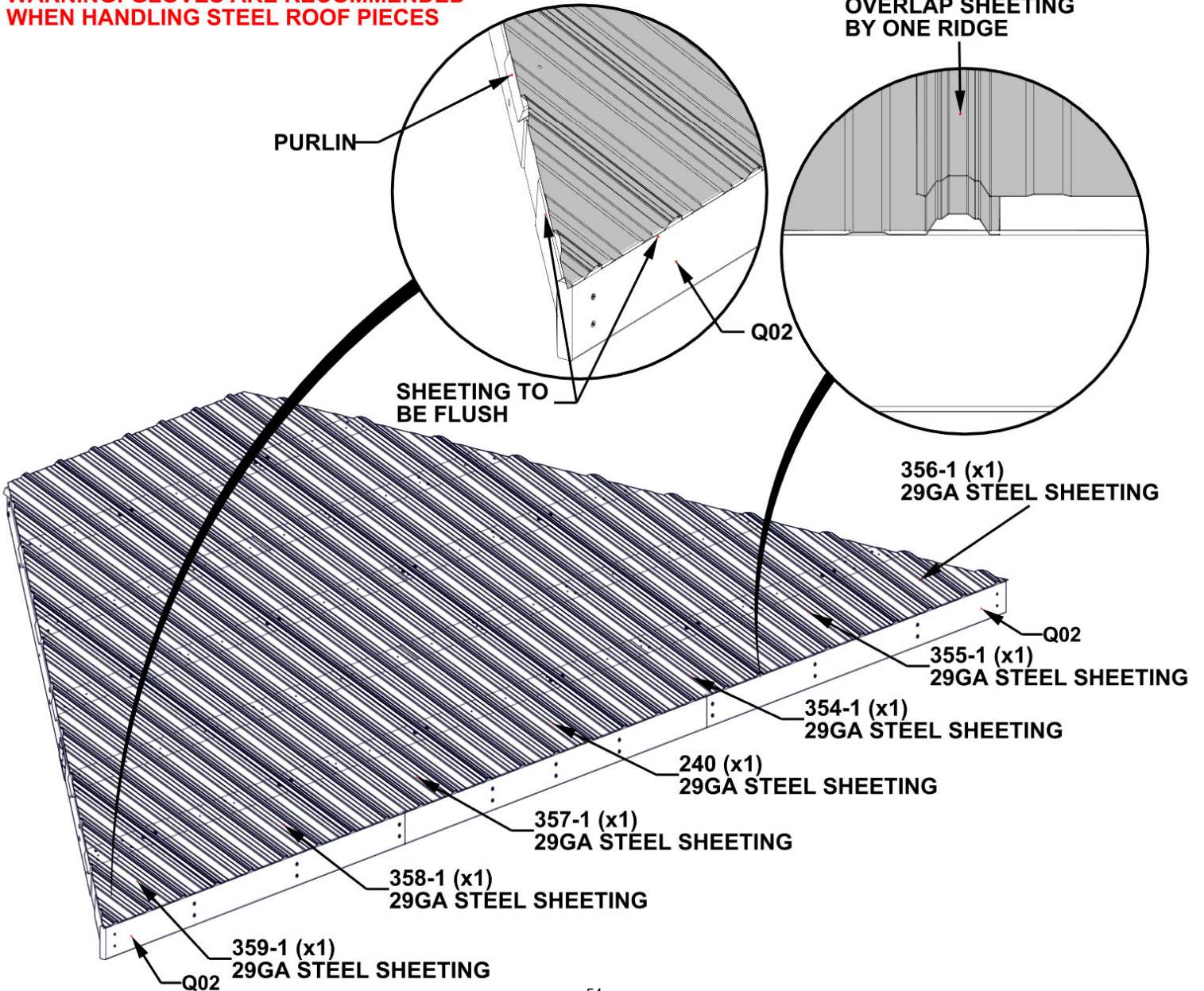


**TIPS:**

- REMOVE PROTECTIVE BLUE FILM.
- STARTING IN THE CENTER, PLACE PANELS AS SHOWN BELOW.
- OVERLAP PANELS BY ONE RIDGE.
- PANELS SHOULD BE FLUSH WITH PURLIN ENDS AND Q02 ROOF JOIST.
- ONCE SHEETING IS IN PLACE, IT IS RECOMMENDED TO ADD H100833 SCREWS IN THE MIDDLE OF THE SHEETS TO HOLD SHEETING FOR THE NEXT STEP.

Qty	PART NUMBER	DESCRIPTION
24	H100833	SCREW WOODGRIP 10-16x3/4

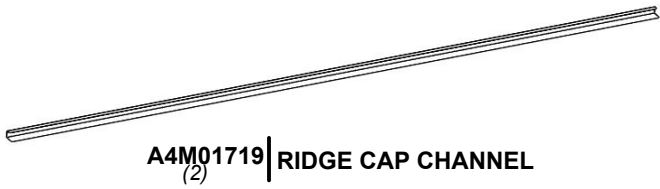
**WARNING: GLOVES ARE RECOMMENDED WHEN HANDLING STEEL ROOF PIECES**



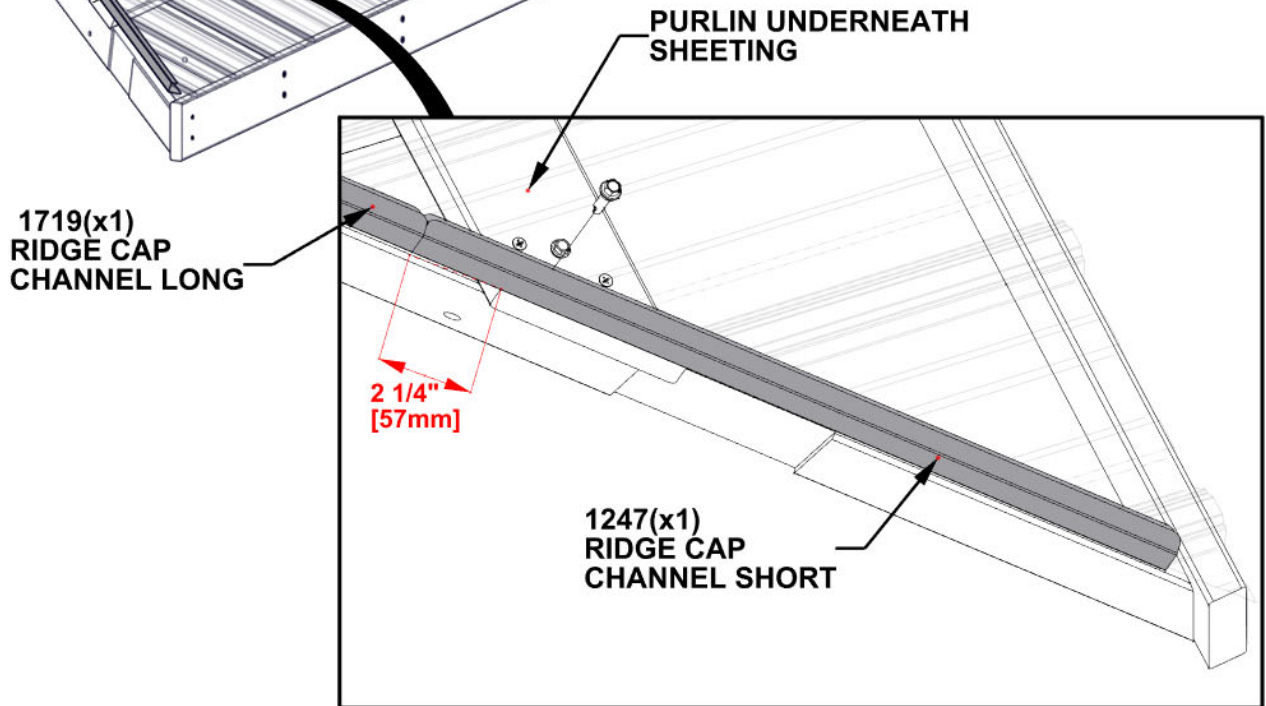
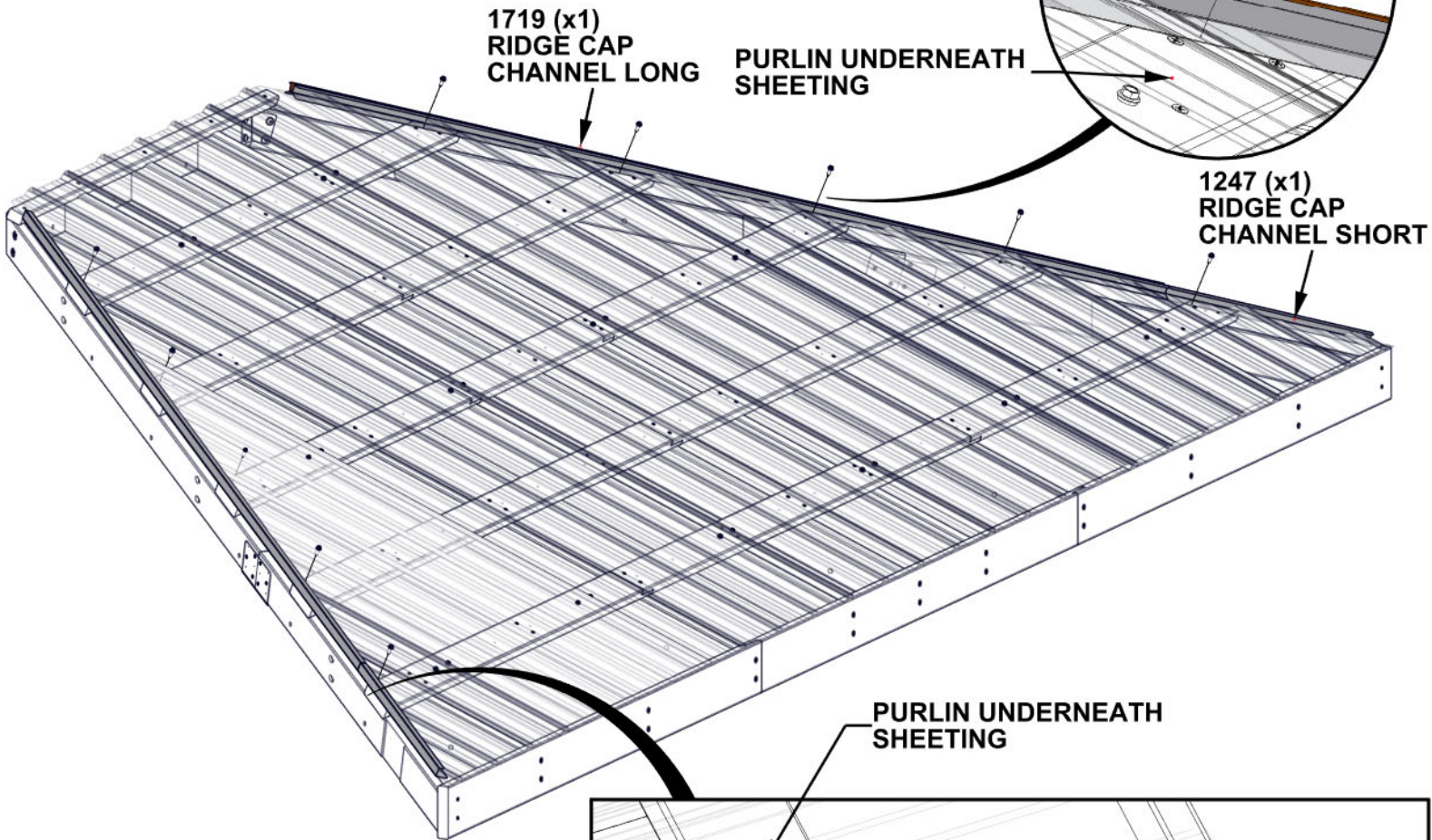
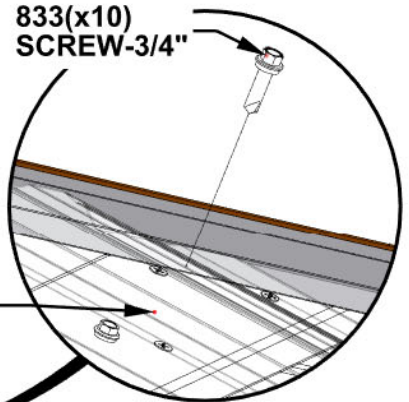


# STEP 25 - 16FT ROOF PANEL ASSEMBLY

Qty	PART NUMBER	DESCRIPTION
10	H100833	SCREW WOODGRIP 10-16x3/4



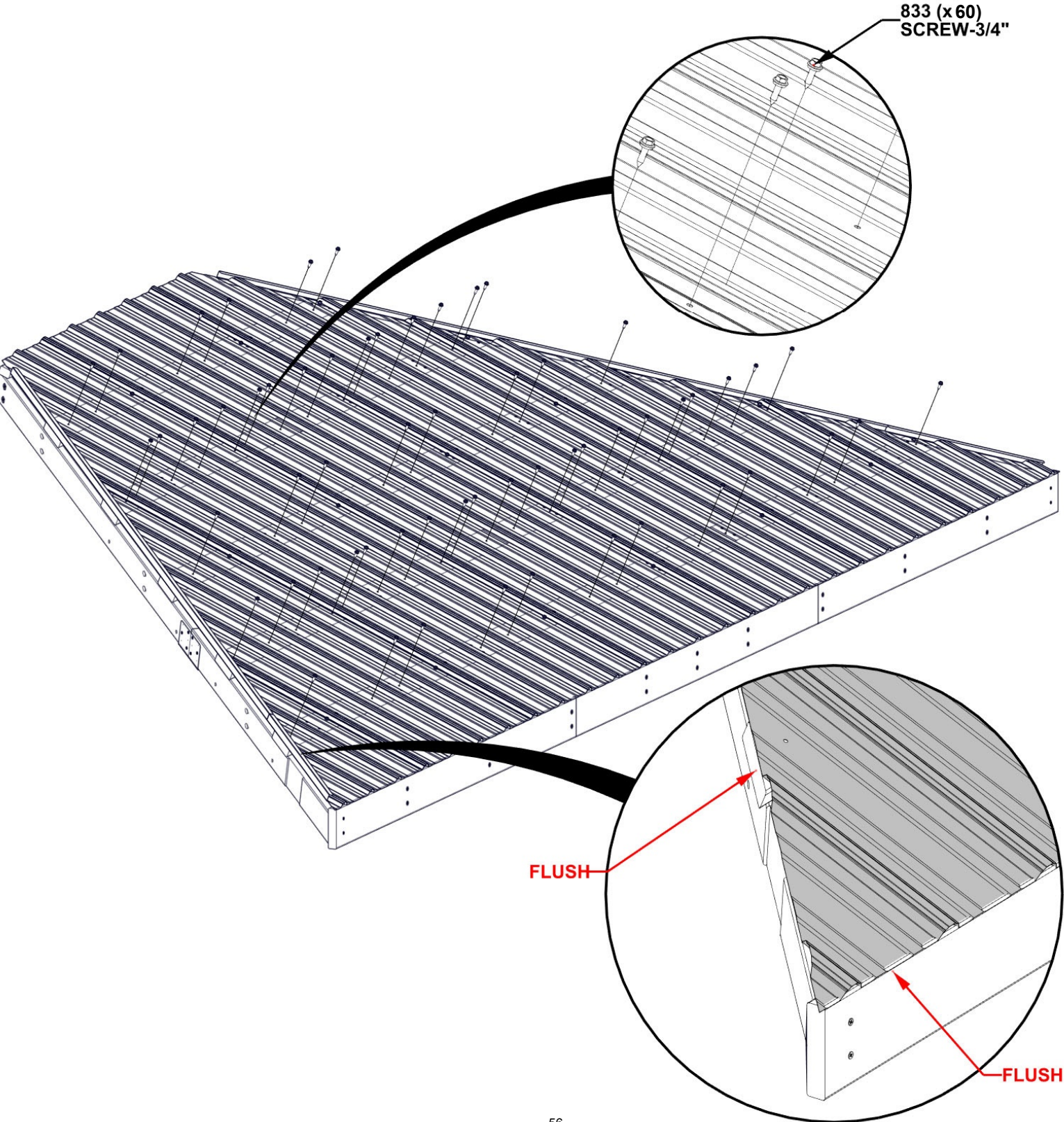
- TIPS:**
- POSITION THE RIDGE CAP CHANNEL OVER THE EDGE OF THE ROOF PANELS WITH THE WIDER SIDE OF THE CHANNEL ON THE BOTTOM.
  - MAKE SURE THE PANELS ARE FULLY SEATED INTO THE CHANNEL.
  - FLUSH THE TOP OF THE CHANNEL WITH THE TOP OF THE METAL PANELS.





# STEP 26 - 16FT ROOF PANEL ASSEMBLY

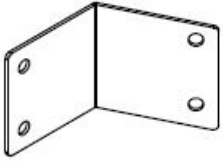
Qty	PART NUMBER	DESCRIPTION
60	H100833	SCREW WOODGRIP 10-16x3/4



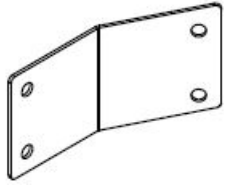
**REPEAT 16FT ROOF PANEL  
ASSEMBLY STEPS 19 THROUGH 26**

# STEP 27 - 12FT ROOF PANEL ASSEMBLY

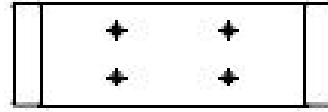
Qty	PART NUMBER	DESCRIPTION
4	H100171	BOLT WH 1/4x1 BLK
4	H100398	T-NUT 1/4 BLK



A4M01238 (1) | PANEL BRACKET

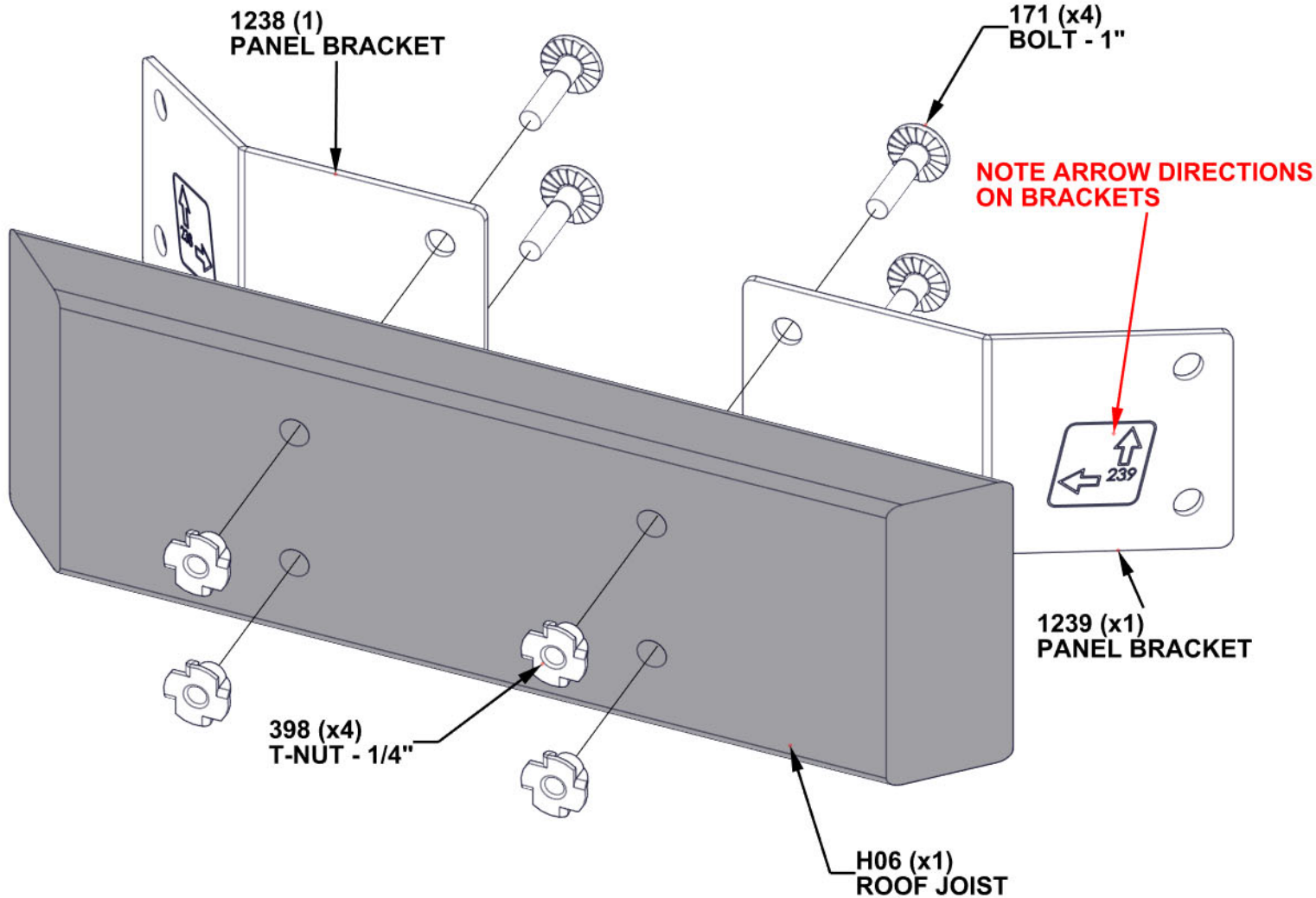


A4M01239 (1) | PANEL BRACKET



H06 | ROOF JOIST - W4L15203  
(1) 1"x3 3/8"x10 11/16" (24x86x272)

**INSERT T-NUTS FIRST  
HAND TIGHTEN ONLY**

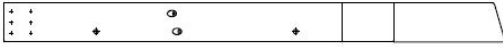




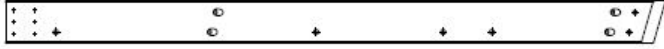
# STEP 28 - 12FT ROOF PANEL ASSEMBLY



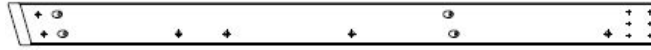
**H11** | ROOF JOIST- W4L15216  
(1) 1"x3 3/8"x44 1/2" (24x86x1130)



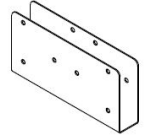
**H12** | ROOF JOIST- W4L15220  
(1) 1"x3 3/8"x44 1/2" (24x86x1130)



**H07** | ROOF JOIST - W4L15315  
(1) 1"x3 3/8"x53 3/16" (24x86x1351)



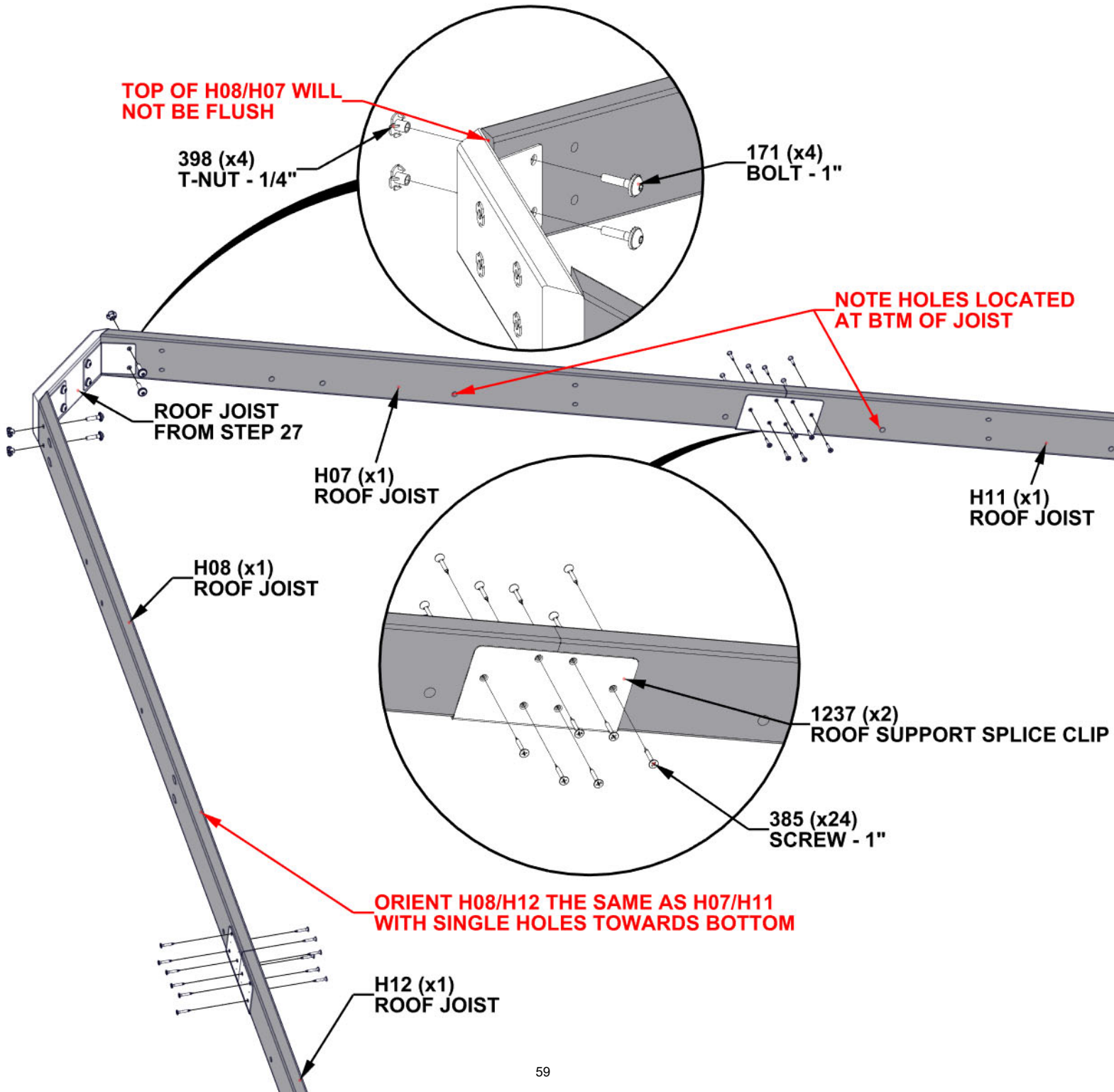
**H08** | ROOF JOIST - W4L15316  
(1) 1"x3 3/8"x53 3/16" (24x86x1351)



**A4M01237** | ROOF SUPPORT SPLICE CLIP  
(2)

Qty	PART NUMBER	DESCRIPTION
4	H100171	BOLT WH 1/4x1 BLK
24	H100385	SCREW PFH 8x1 BLK
4	H100398	T-NUT 1/4 BLK

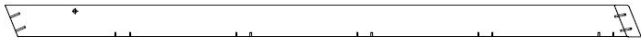
## INSERT T-NUTS FIRST





# STEP 29 - 12FT ROOF PANEL ASSEMBLY

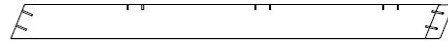
Qty	PART NUMBER	DESCRIPTION
12	H101030	SCREW 2" CONFIRMAT



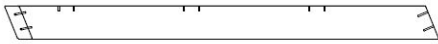
**E05** RAFTER - W4L15207  
(1) 1 3/8"x3 3/8"x69" (36x86x1752)



**E11** RAFTER- W4L15217  
(1) 1 3/8"x3 3/8"x69" (36x86x1752)



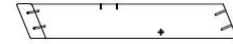
**E06** RAFTER - W4L15208  
(1) 1 3/8"x3 3/8"x45 7/16" (36x86x1155)



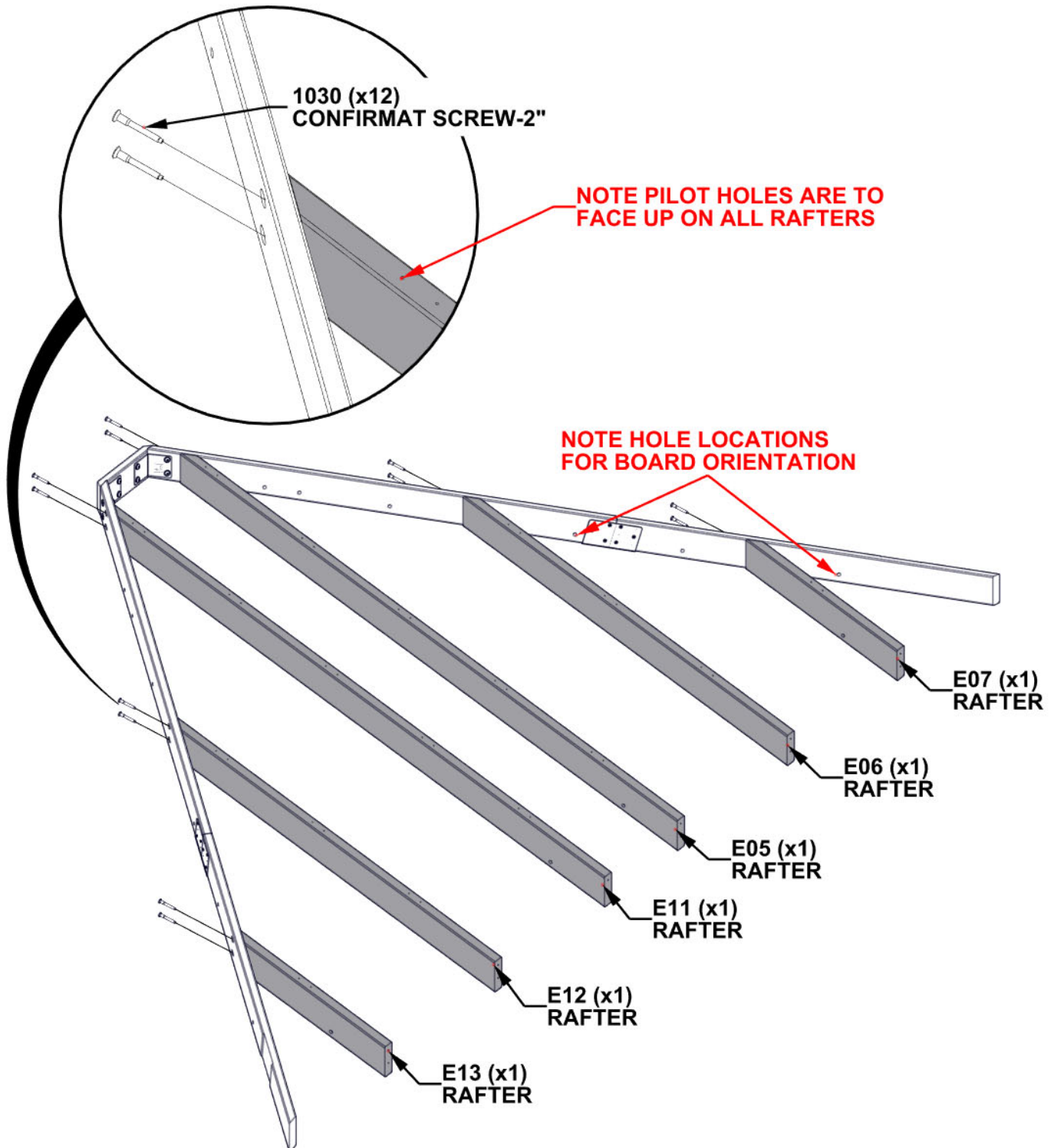
**E12** RAFTER W4L15218  
(1) 1 3/8"x3 3/8"x45 7/16" (36x86x1155)



**E07** RAFTER- W4L15209  
(1) 1 3/8"x3 3/8"x21 15/16" (36x86x557)



**E13** RAFTER- W4L15219  
(1) 1 3/8"x3 3/8"x21 15/16" (36x86x557)



# STEP 30A - 12FT ROOF PANEL ASSEMBLY

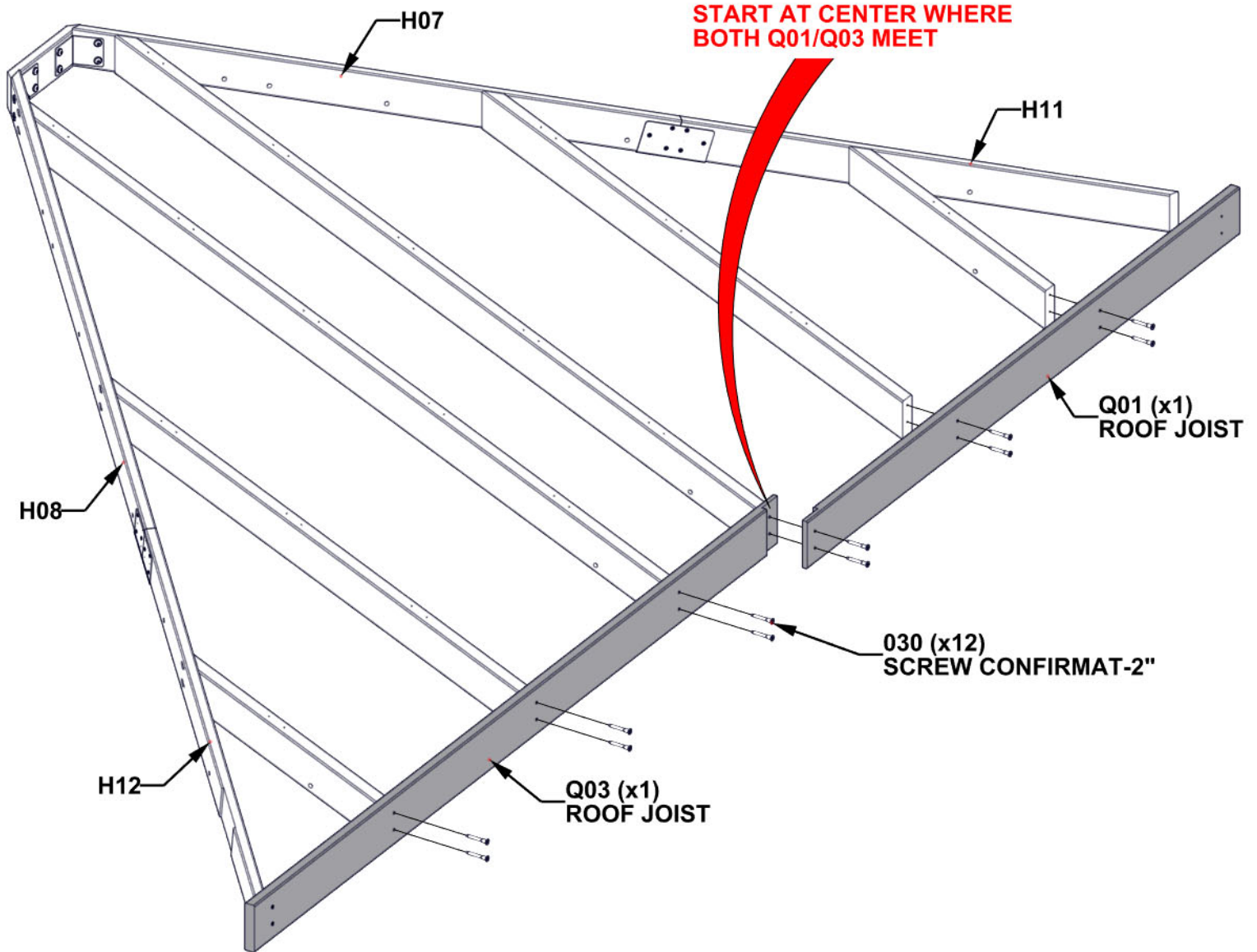
Qty	PART NUMBER	DESCRIPTION
4	H100382	SCREW PFH 8x1 3/4 BLK
12	H101030	SCREW 2" CONFIRMAT



**Q03** | ROOF JOIST- W4L15221  
 (1) | 1"x4 7/16"x80 1/2" (24x112x2044)



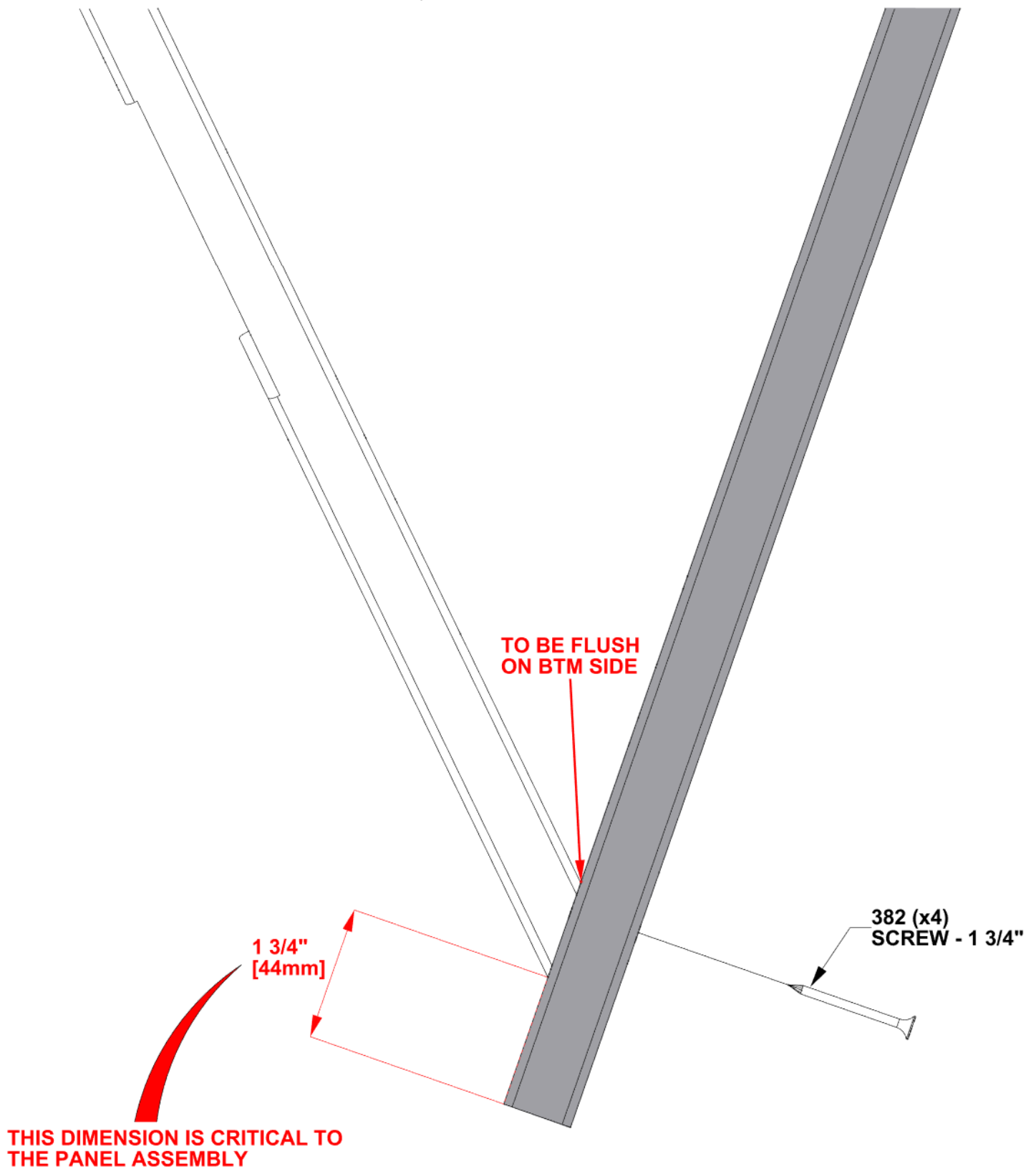
**Q01** | ROOF JOIST- W4L15204  
 (1) | 1"x4 7/16"x65 15/16" (24x112x1675)



# STEP 30B - 12FT ROOF PANEL ASSEMBLY

## TIPS:

- USING THE Q03 BOARDS AS A GUIDE AND A 1/8" DRILL BIT, DRILL PILOT HOLES INTO THE H12 BOARD USING THE DIMENSION BELOW.
- REPEAT ON OPPOSITE END USING Q01 AS A GUIDE TO DRILL PILOT HOLES INTO THE H11 BOARD.

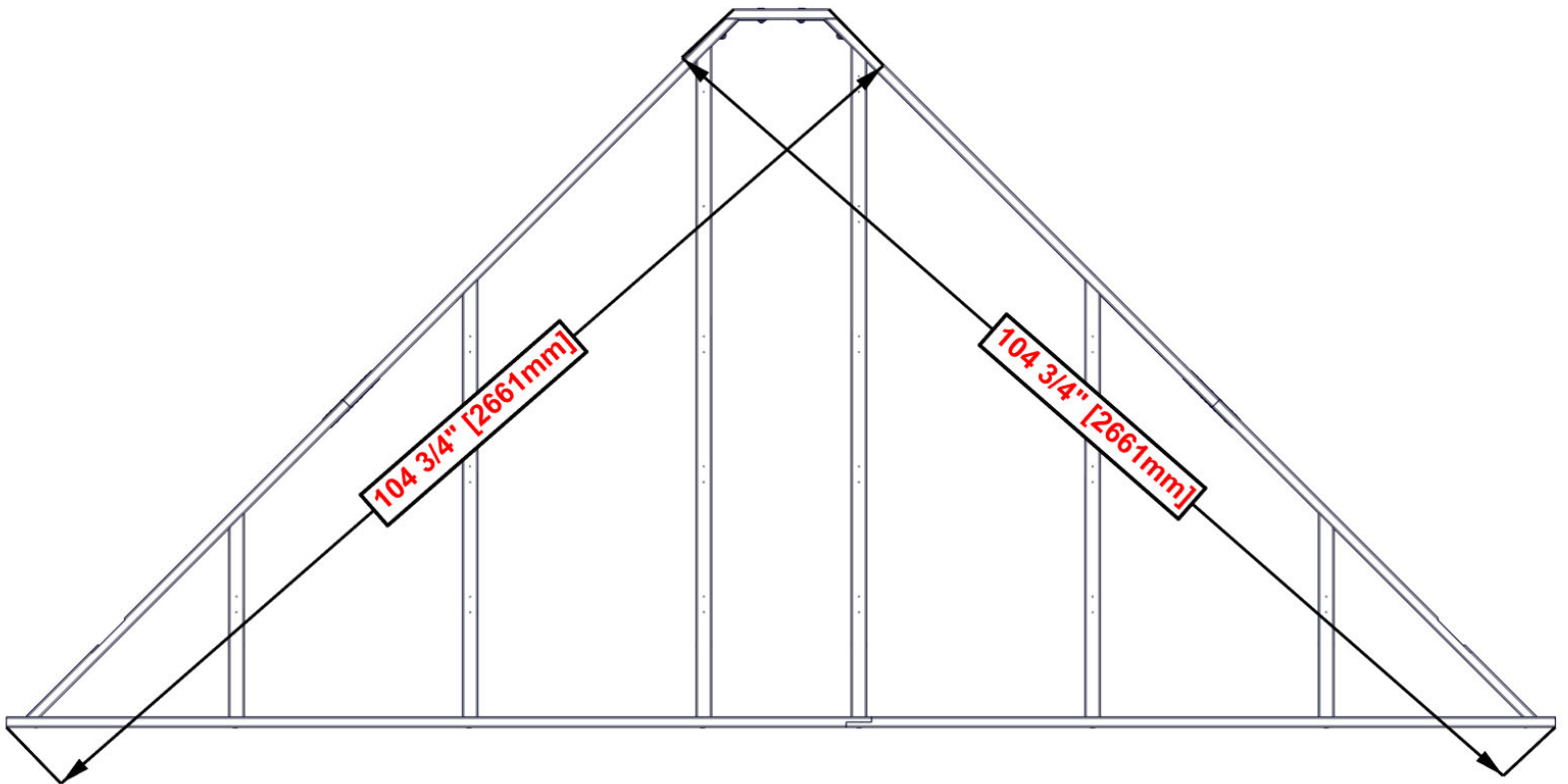


# STEP 30C - 12FT ROOF PANEL ASSEMBLY

**TIP: LOOSEN HARDWARE TO ADJUST FOR SQUARING IF NEEDED.**

**CRITICAL:**

- SQUARE UNIT BEFORE PROCEEDING TO NEXT STEPS.
- THE BELOW DIMENSIONS ARE CRITICAL TO THE FINAL ROOF ASSEMBLY.
- MEASUREMENTS SHOULD BE WITHIN +/- 1/4"
- MEASUREMENTS OUTSIDE OF TOLERANCE WILL LEAD TO THE INABILITY TO ASSEMBLE THE ROOF.





# STEP 31 - 12FT ROOF PANEL ASSEMBLY

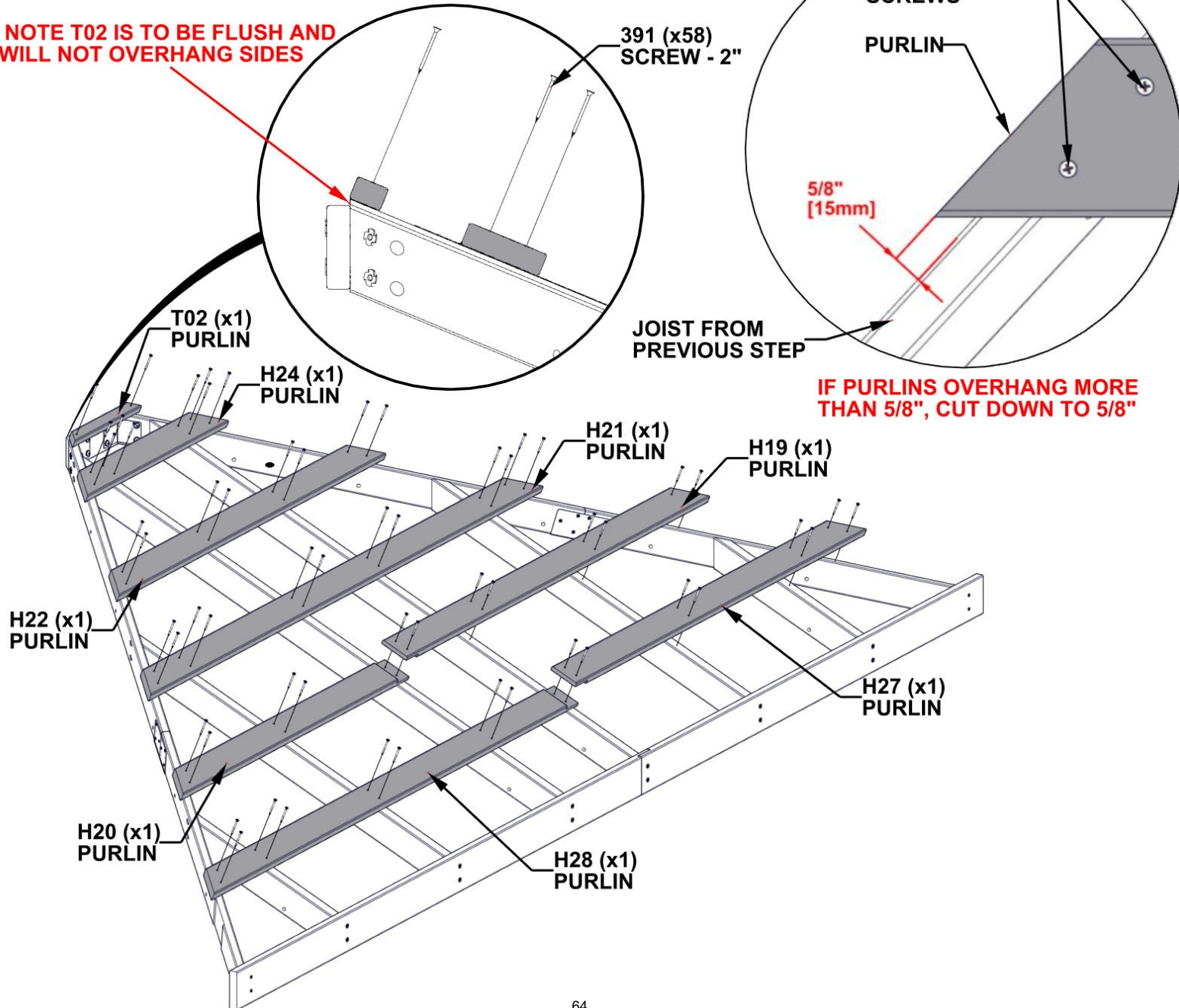
<b>T02</b>   PURLIN- W4L15239 (1)   1"x1 5/16"x12 3/4" (24x34x324)	<b>H24</b>   PURLIN W4L15232 (1)   1"x3 3/8"x27 1/4" (24x86x692)	<b>H27</b>   PURLIN- W4L15237 (1)   1"x3 3/8"x56" (24x86x1422)
<b>H22</b>   PURLIN- W4L15231 (1)   1"x3 3/8"x51 7/16" (24x86x1307)	<b>H19</b>   PURLIN- W4L15228 (1)   1"x3 3/8"x58 5/16" (24x86x1481)	<b>H20</b>   PURLIN- W4L15229 (1)   1"x3 3/8"x43 7/8" (24x86x1114)
<b>H21</b>   PURLIN- W4L15230 (1)   1"x3 3/8"x75 11/16" (24x86x1922)		
<b>H28</b>   PURLIN- W4L15238 (1)   1"x3 3/8"x70 1/2" (24x86x1791)		

QTY.	PART NUMBER	DESCRIPTION
58	H100391	SCREW PFH 8x2 BLK

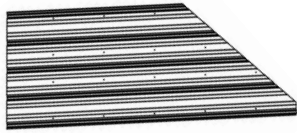
- TIPS:**
- ALIGN PURLIN PILOT HOLES WITH RAFTER PILOT HOLES.
  - ATTACH SCREWS FROM THE CENTER AND WORK OUTWARD.
  - H08/H12 & H07/H11 BOARDS DO NOT HAVE PILOT HOLES FOR OUTSIDE EDGE SCREWS.
  - USING THE PURLINS AS A GUIDE AND A 1/8" DRILL BIT, DRILL PILOT HOLES INTO H08/H12 & H07/H11 BOARDS

**NOTE T02 IS TO BE FLUSH AND WILL NOT OVERHANG SIDES**

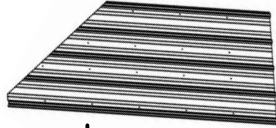




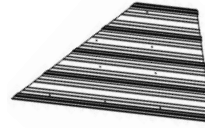
# STEP 32 - 12FT ROOF PANEL ASSEMBLY



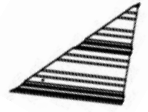
A4M01359-2 | 29 GA STEEL SHEETING  
(1)



A4M01356-2 | 29 GA STEEL SHEETING  
(1)



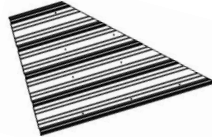
A4M01355-2 | 29 GA STEEL SHEETING  
(1)



A4M01354-2 | 29 GA STEEL SHEETING  
(1)



A4M01357-2 | 29 GA STEEL SHEETING  
(1)

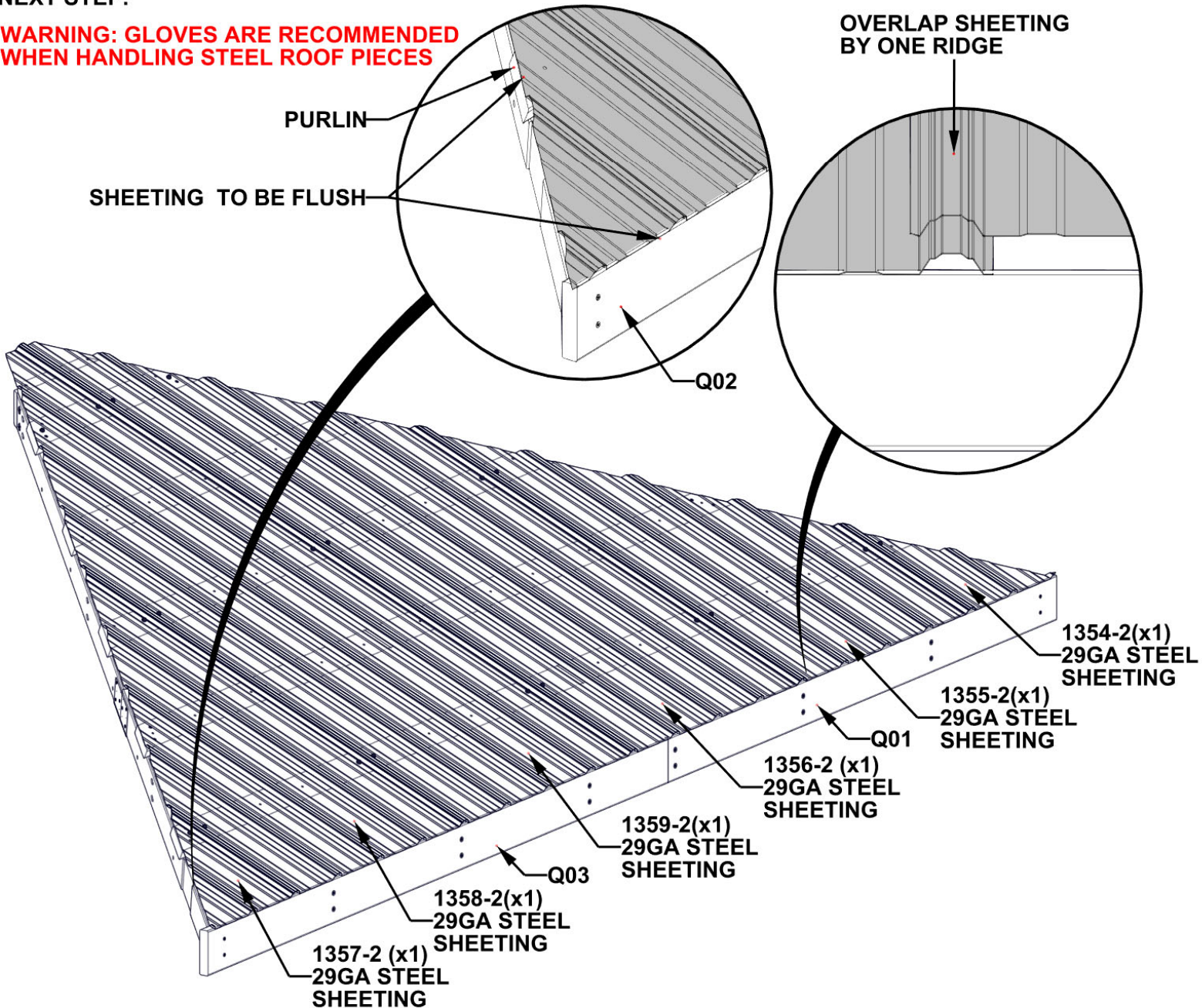


A4M01358-2 | 29 GA STEEL SHEETING  
(1)

Qty	PART NUMBER	DESCRIPTION
20	H100833	SCREW WOODGRIP 10-16x3/4

- TIPS:**
- REMOVE PROTECTIVE BLUE FILM.
  - STARTING IN THE CENTER, PLACE PANELS AS SHOWN BELOW.
  - OVERLAP PANELS BY ONE RIDGE.
  - PANELS SHOULD BE FLUSH WITH PURLIN ENDS AND Q02 ROOF JOIST.
  - ONCE SHEETING IS IN PLACE, IT IS RECOMMENDED TO ADD H100833 SCREWS IN THE MIDDLE OF THE SHEETS TO HOLD SHEETING FOR THE NEXT STEP.

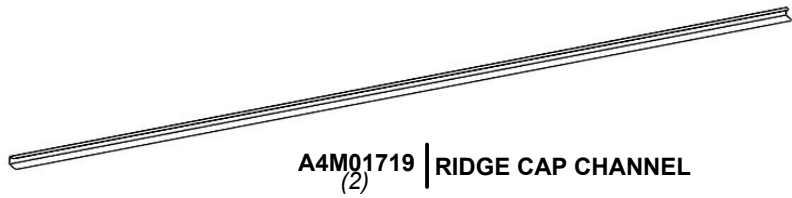
**WARNING: GLOVES ARE RECOMMENDED WHEN HANDLING STEEL ROOF PIECES**





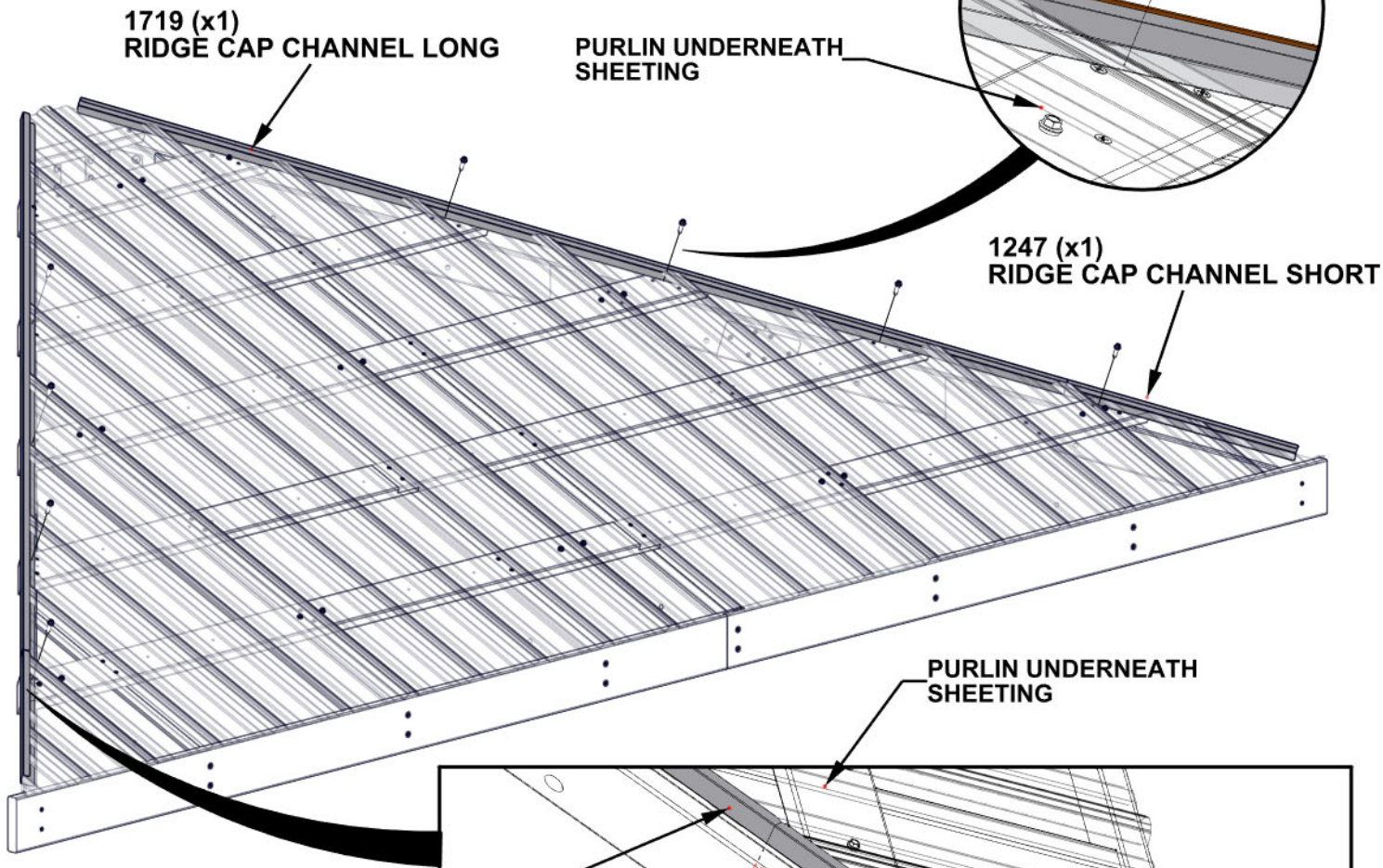
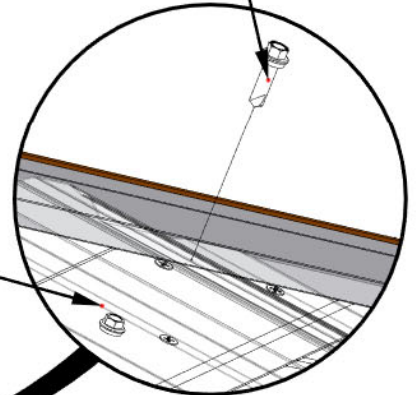
# STEP 33 - 12FT ROOF PANEL ASSEMBLY

Qty	PART NUMBER	DESCRIPTION
8	H100833	SCREW WOODGRIP 10-16x3/4

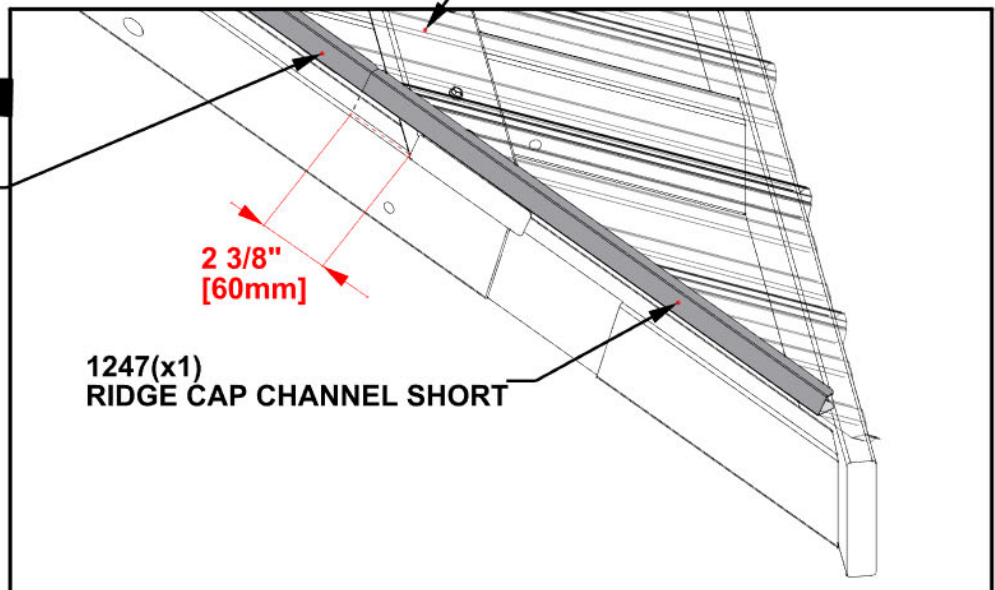


- TIPS:**
- POSITION THE RIDGE CAP CHANNEL OVER THE EDGE OF THE ROOF PANELS WITH THE WIDER SIDE OF THE CHANNEL ON THE BOTTOM.
  - MAKE SURE THE PANELS ARE FULLY SEATED INTO THE CHANNEL.
  - FLUSH THE TOP OF THE CHANNEL WITH THE TOP OF THE METAL PANELS.

833(x8)  
SCREW-3/4"



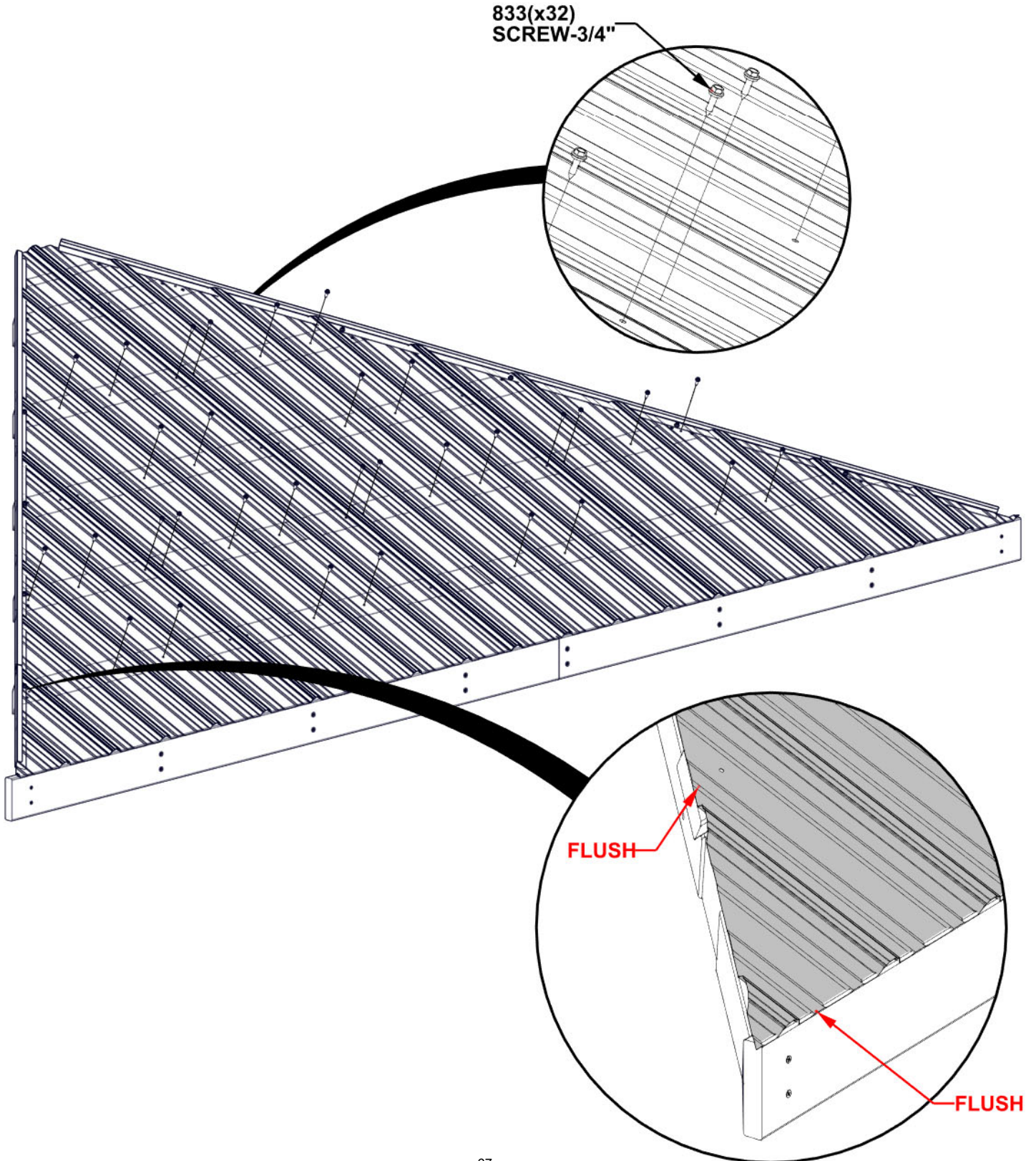
1719(X1)  
RIDGE CAP CHANNEL LONG





# STEP 34 - 12FT ROOF PANEL ASSEMBLY

Qty	PART NUMBER	DESCRIPTION
32	H100833	SCREW WOODGRIP 10-16x3/4





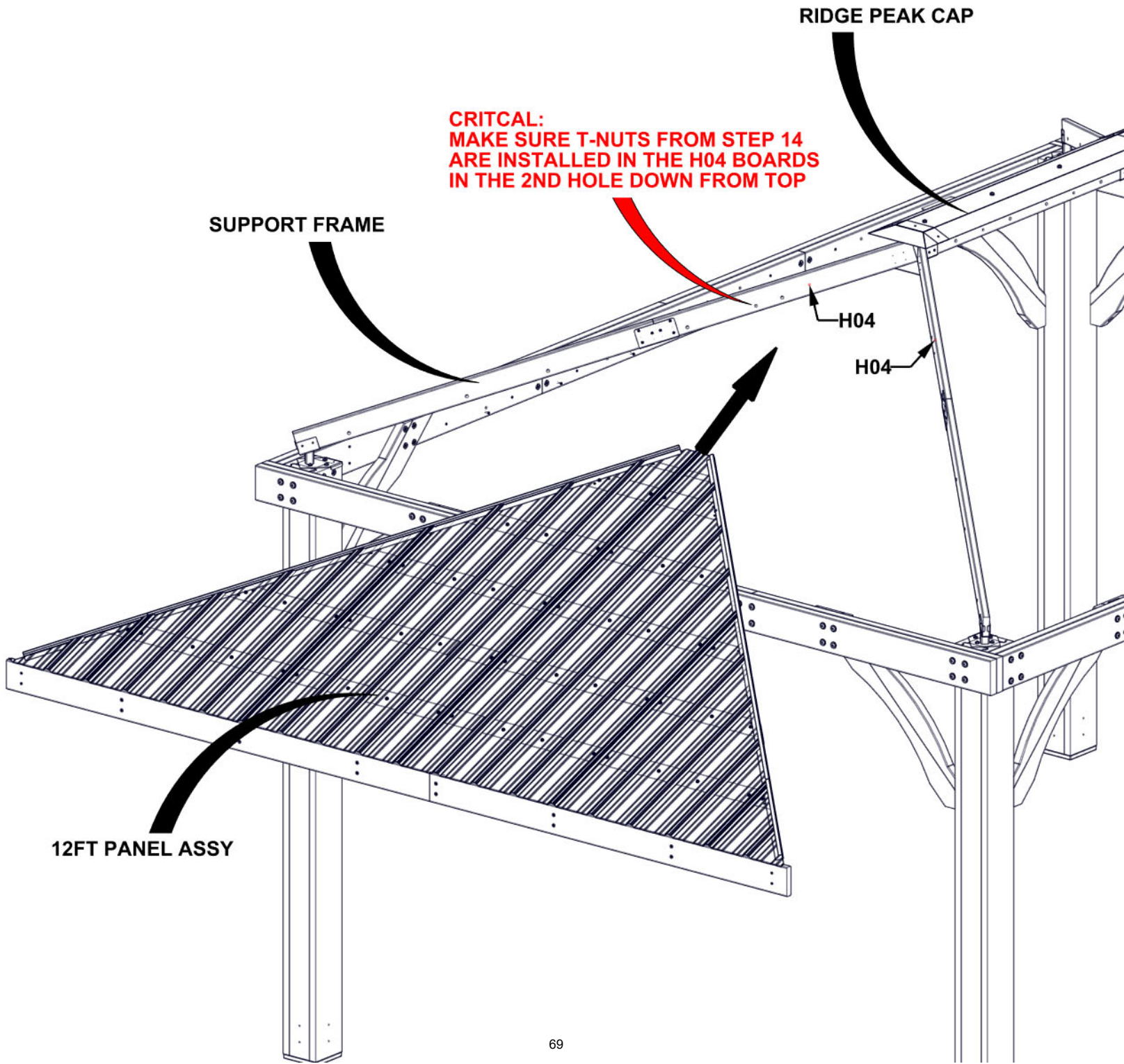
**REPEAT 12FT ROOF PANEL  
ASSEMBLY STEPS 27 THROUGH 34**

# STEP 35A - 12FT ROOF PANEL ATTACHMENT

## TIPS:

- THREE PEOPLE ARE HELPFUL FOR THIS STEP.
- POSITION A PERSON ON A LADDER IN THE CENTER OF THE GAZEBO TO HELP SUPPORT THE ROOF PANEL.
- WITH TWO PEOPLE, WORK THE PANEL UP WITHOUT SLIDING OR DRAGGING, UNTIL IT MEETS THE ROOF SUPPORT FRAME.
- MAKE SURE THE ROOF PANEL SLIDES UNDERNEATH THE RIDGE CAP.

**WARNING: GLOVES ARE RECOMMENDED WHEN HANDLING STEEL ROOF PIECES**

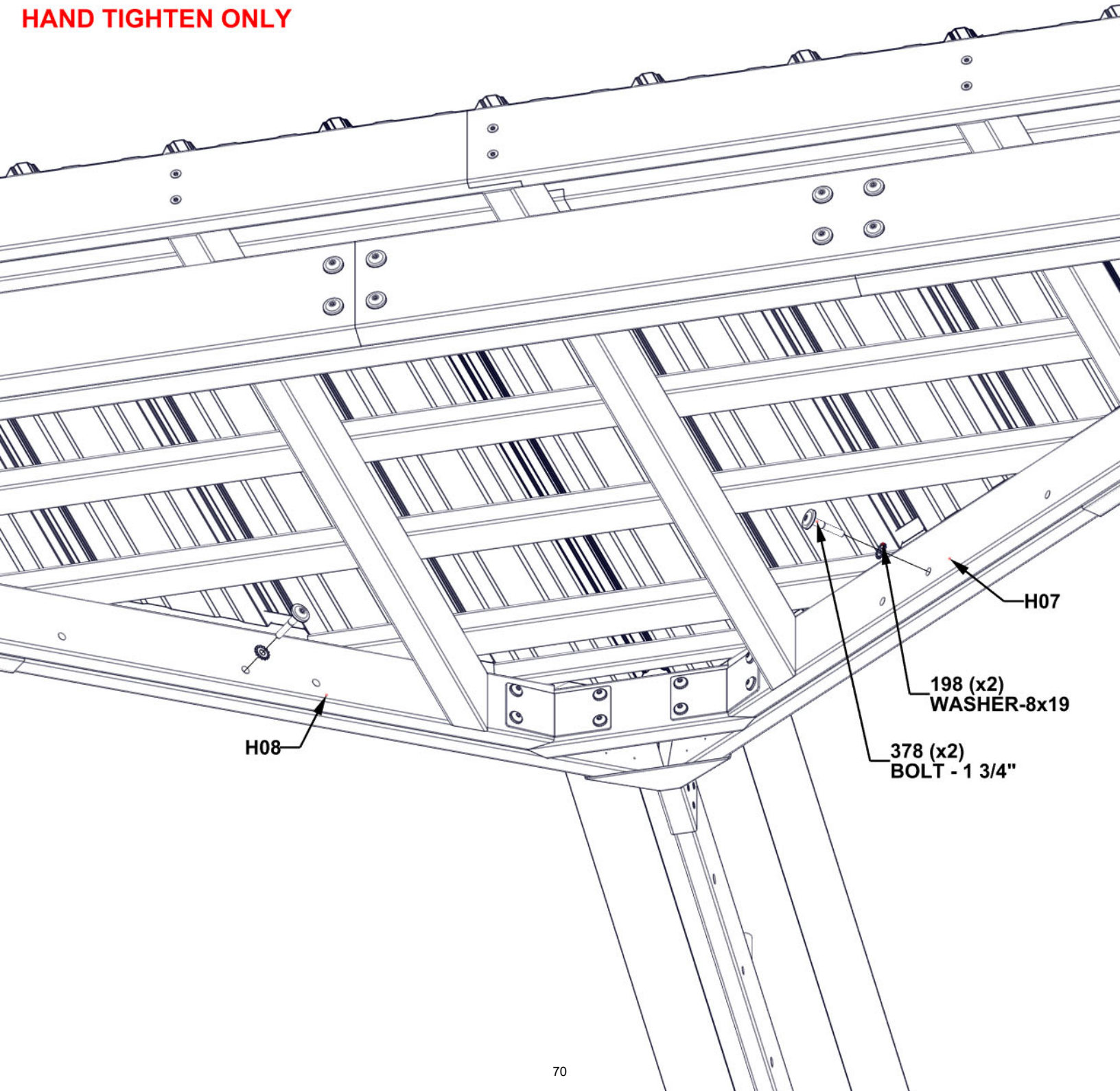


# STEP 35B - 12FT ROOF PANEL ATTACHMENT

Qty	PART NUMBER	DESCRIPTION
2	H100198	WASHER LOCK EXT 8X19 BLK
2	H100378	BOLT WH 5/16x1 3/4 BLK

- TIPS:
- IF NECESSARY, USE A LONG SCREWDRIVER OR CLAMPS TO HOLD PANELS IN PLACE.
  - INSERT BOLTS INTO THE FIRST HOLE FROM THE TOP OF THE H07/H08 BOARDS.

**HAND TIGHTEN ONLY**



**REPEAT 12FT ROOF PANEL INSTALLATION  
STEPS 35A & 35B**

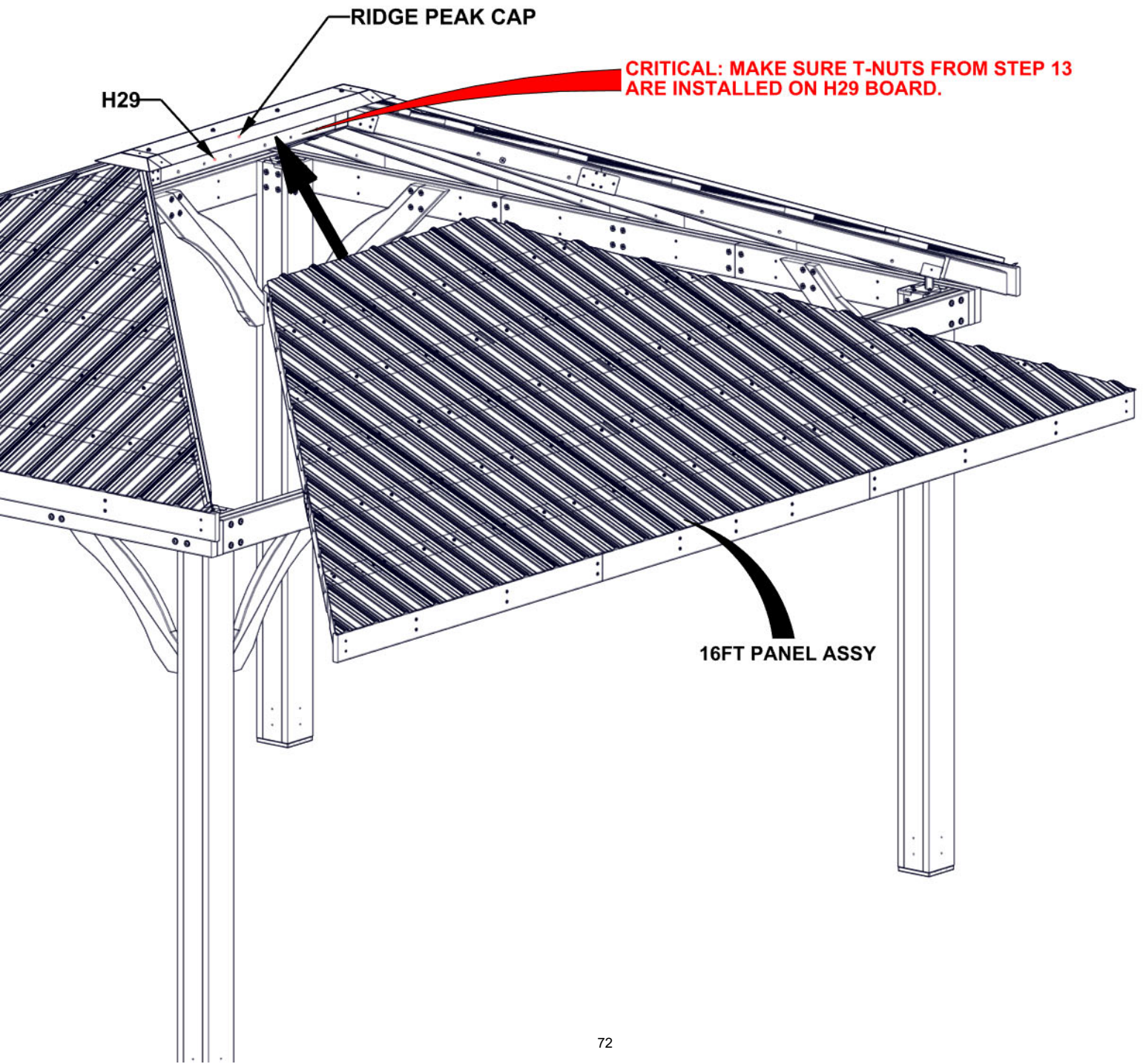


# STEP 36A - 16FT ROOF PANEL ATTACHMENT

## TIPS:

- THREE PEOPLE ARE HELPFUL FOR THIS STEP.
- POSITION A PERSON ON A LADDER IN THE CENTER OF THE GAZEBO TO HELP SUPPORT THE ROOF PANEL.
- WITH TWO PEOPLE, WORK THE PANEL UP WITHOUT SLIDING OR DRAGGING, UNTIL IT MEETS THE ROOF SUPPORT FRAME.
- MAKE SURE THE ROOF PANEL SLIDES UNDERNEATH THE RIDGE CAP.

**WARNING: GLOVES ARE RECOMMENDED WHEN HANDLING STEEL ROOF PIECES**

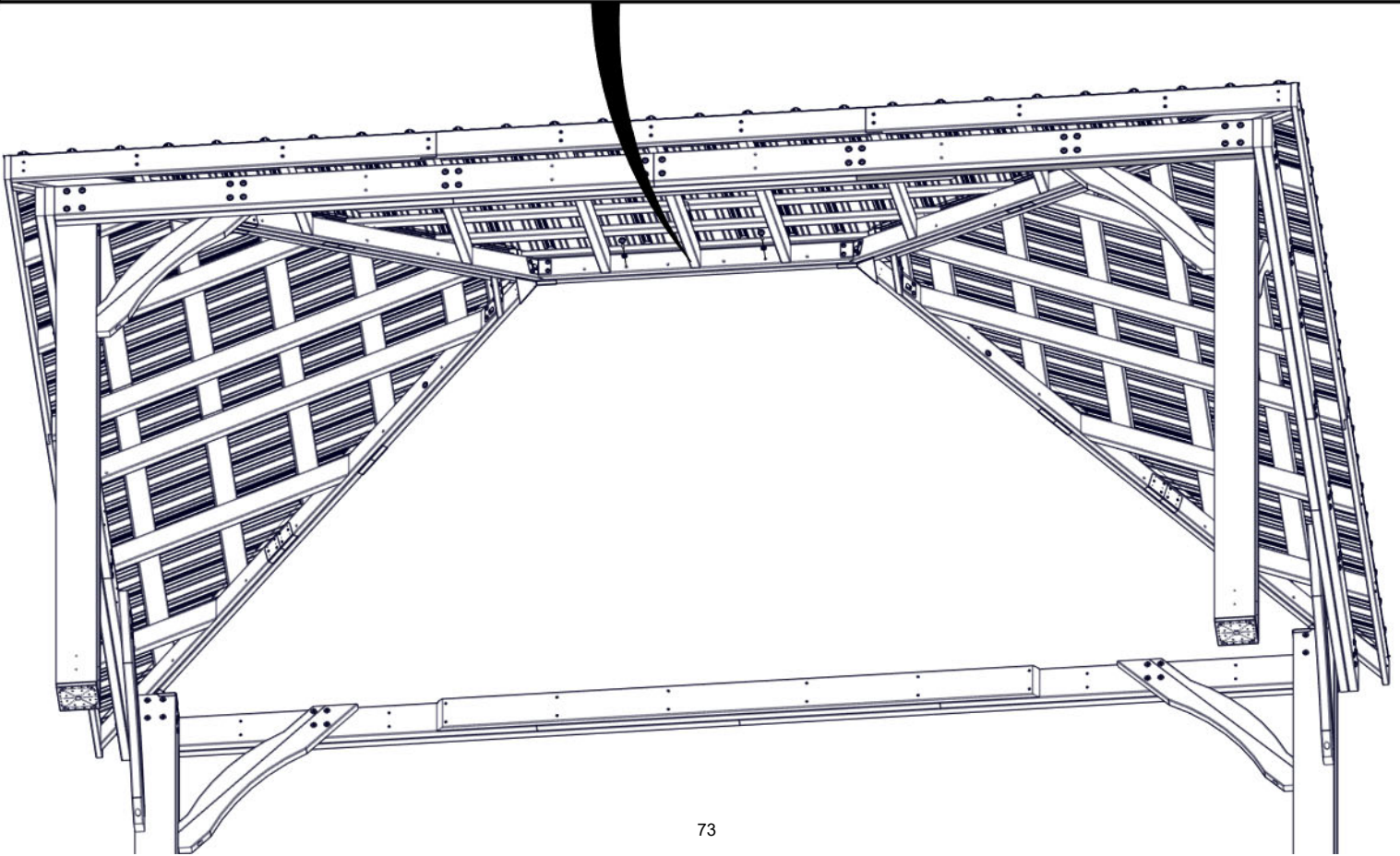
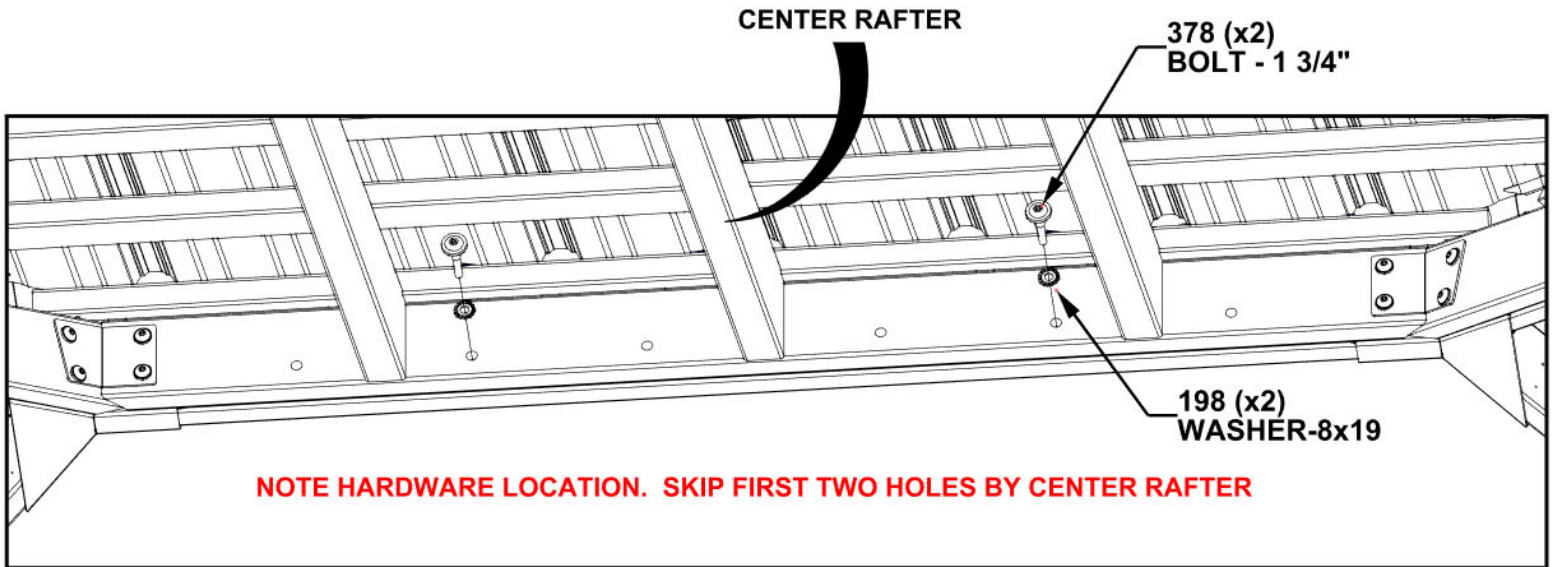


# STEP 36B - 16FT ROOF PANEL ATTACHMENT

Qty	PART NUMBER	DESCRIPTION
2	H100198	WASHER LOCK EXT 8X19 BLK
2	H100378	BOLT WH 5/16x1 3/4 BLK

TIP:  
- IF NECESSARY, USE A LONG SCREWDRIVER OR CLAMPS TO HOLD PANELS IN PLACE.

**HAND TIGHTEN ONLY**



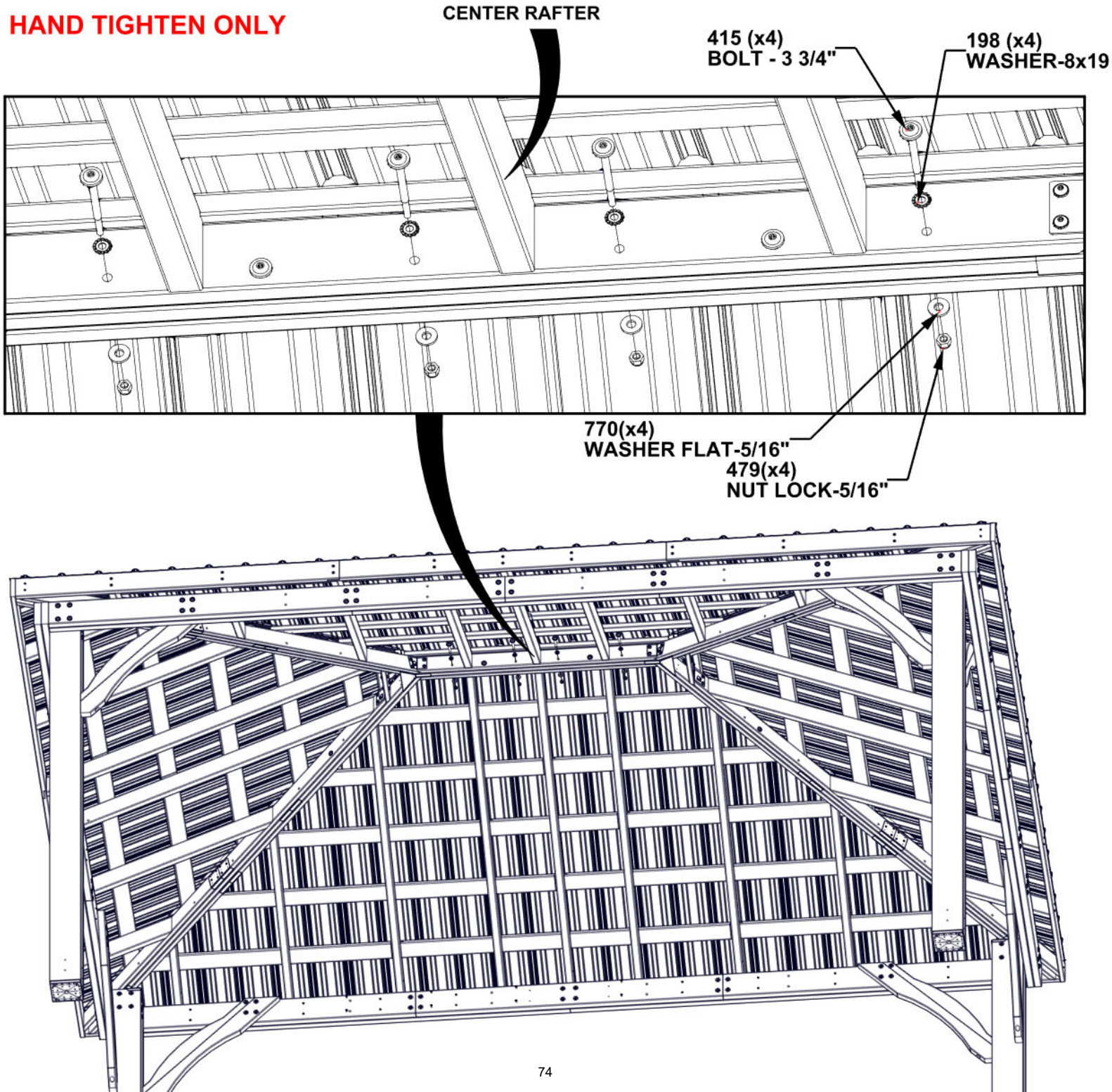


# STEP 37A - 16FT ROOF PANEL ATTACHMENT

Qty	PART NUMBER	DESCRIPTION
4	H100198	WASHER LOCK EXT 8X19 BLK
4	H100415	BOLT WH 5/16x3 3/4 BLK
4	H100479	LOCK NUT 5/16 BLK
4	H100770	WASHER FLAT 5/16 BLK

- TIPS:**
- REPEAT STEP 36A FOR SECOND 16FT PANEL.
  - IF NECESSARY USE A LONG SCREWDRIVER OR CLAMPS TO HOLD PANEL IN PLACE.

**HAND TIGHTEN ONLY**

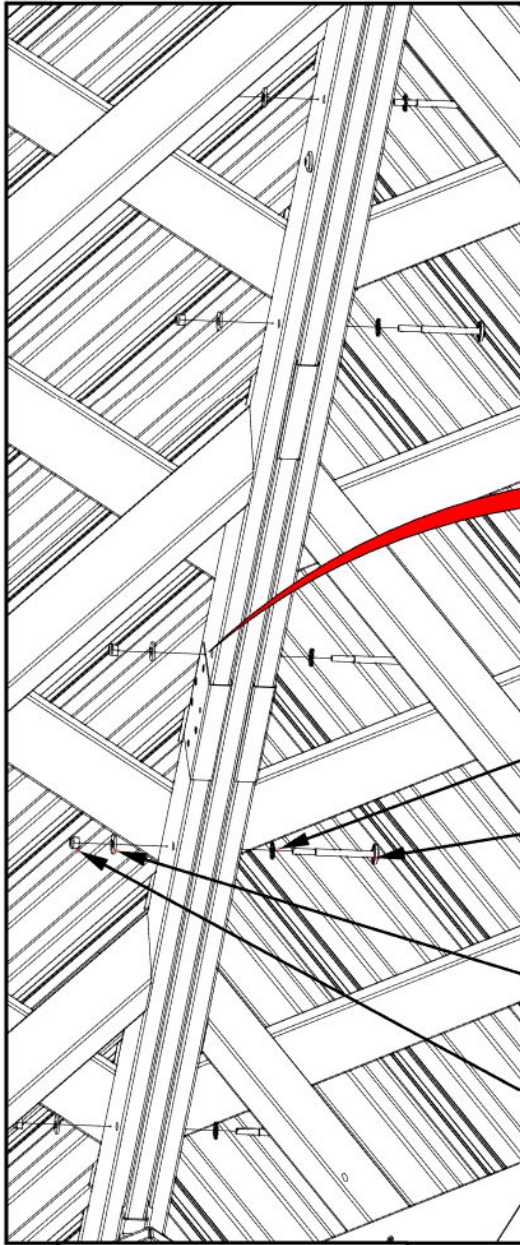




# STEP 37B - 16FT ROOF PANEL ATTACHMENT

Qty	PART NUMBER	DESCRIPTION
20	H100198	WASHER LOCK EXT 8X19 BLK
20	H100415	BOLT WH 5/16x3 3/4 BLK
20	H100479	NUT LOCK 5/16 BLK
20	H100770	WASHER FLAT 5/16 BLK

**HAND TIGHTEN ONLY**



**IF THE HOLES ARE SLIGHTLY UNALIGNED, DRIVE THE BOLT THROUGH THE (3) BOARDS USING A DRILL. THIS WILL ENABLE THE BOLTS TO SCREW INTO THE HOLES.**

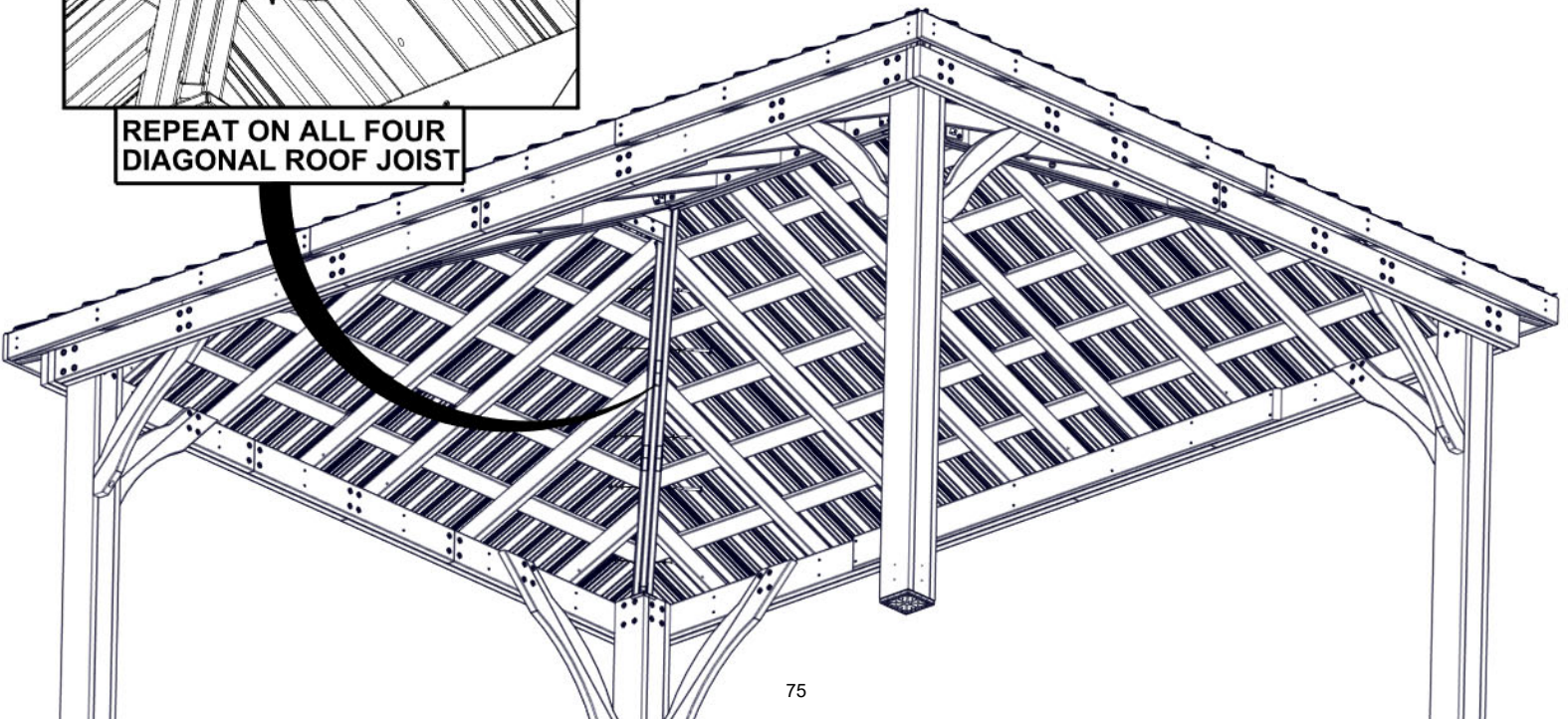
198 (x5)  
WASHER-8x19

415 (x5)  
BOLT - 3 3/4"

770(x5)  
WASHER FLAT-5/16"

479(x5)  
NUT LOCK-5/16"

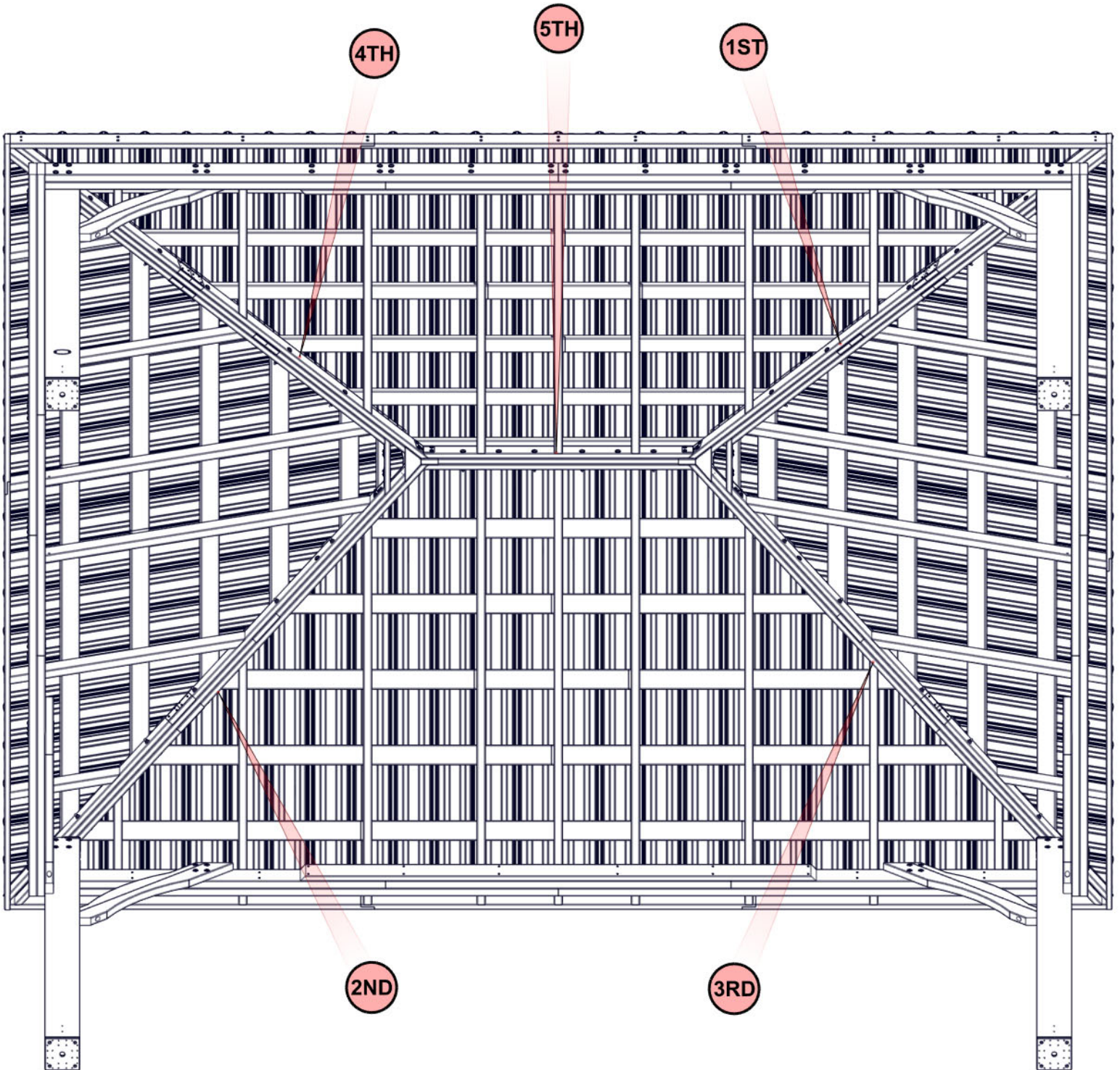
**REPEAT ON ALL FOUR  
DIAGONAL ROOF JOIST**





# STEP 38 - ROOF PANEL ATTACHMENT

**TIGHTEN ALL THE HARDWARE IN THE ORDER SHOW BELOW.  
START AT THE TOP AND WORK YOUR WAY DOWN**

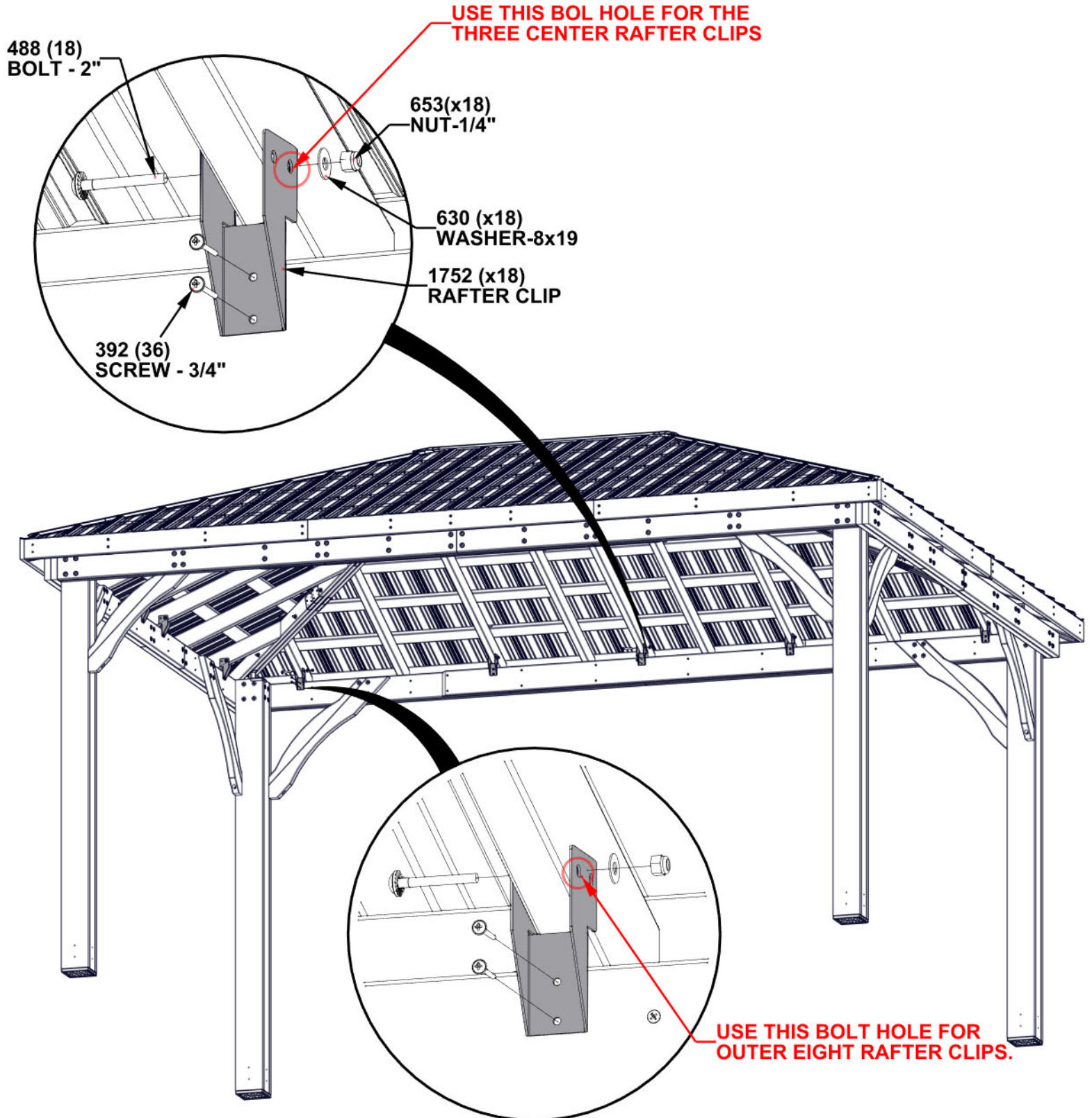


# STEP 39 - ROOF ASSEMBLY

Qty	PART NUMBER	DESCRIPTION
18	H100488	BOLT WH 1/4x2 BLK
36	H100536	SCREW PWH 8x1 1/4 BLK
18	H100630	WASHER FLAT 8x19 BLK
18	H100653	NUT LOCK 1/4 BLK

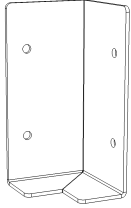


A4M01752 | RAFTER CLIP  
(18)



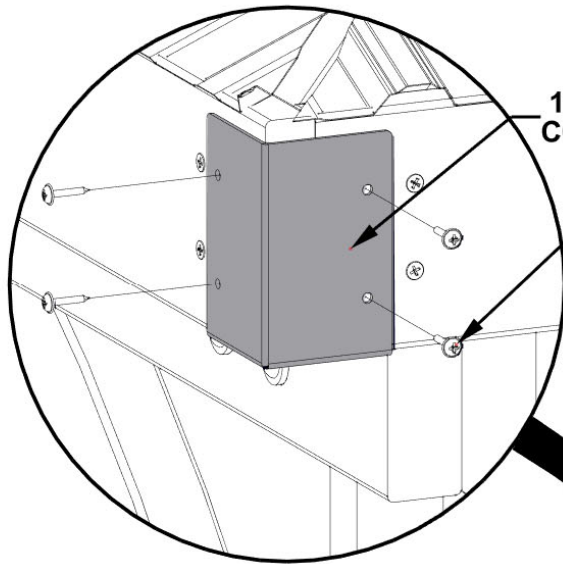


# STEP 40 - ROOF ASSEMBLY



Qty	PART NUMBER	DESCRIPTION
16	H100392	SCREW PWH 8x3/4 BLK

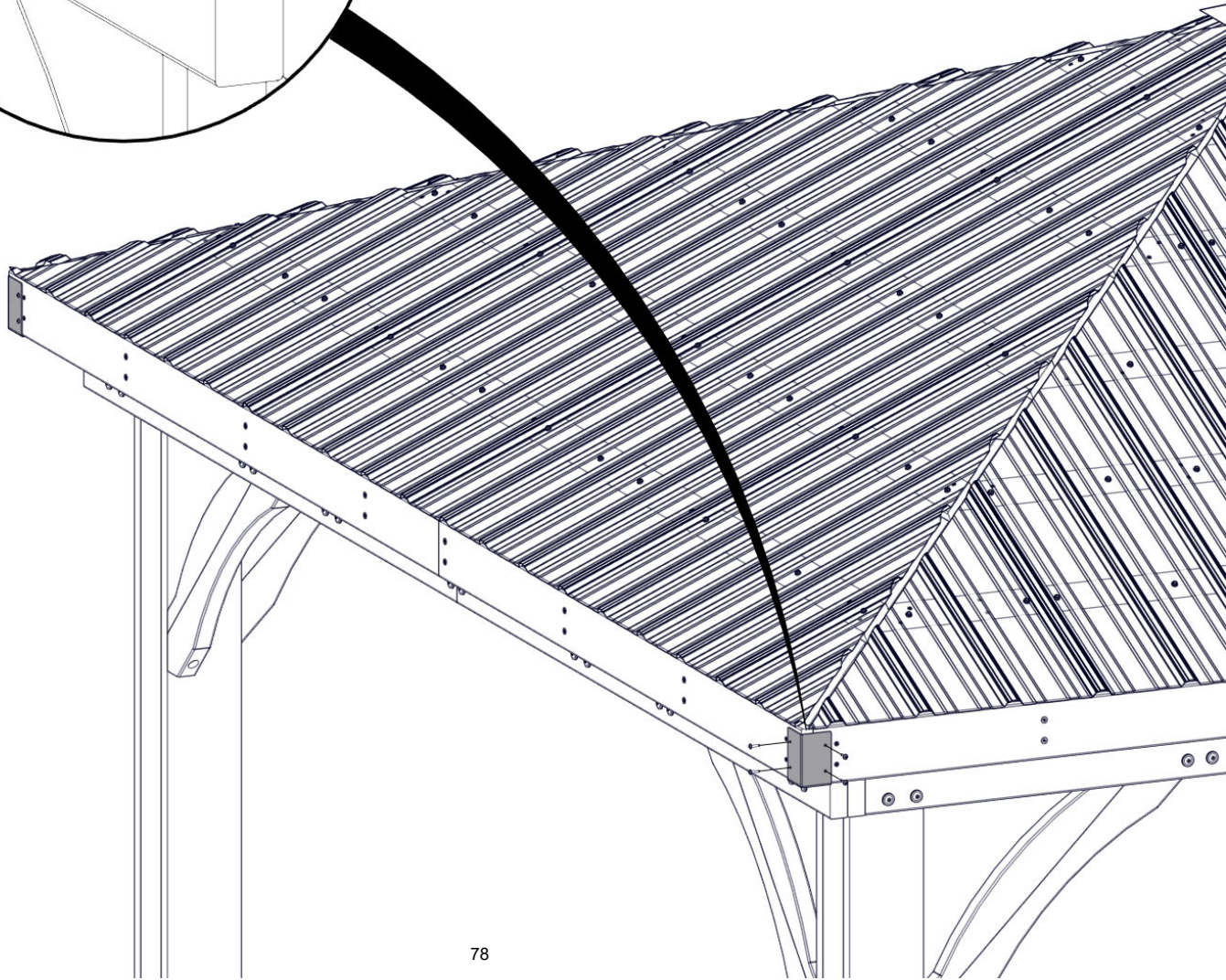
A4M01185  
(4) CORNER BRACKET



1185(x4)  
CORNER BRACKET

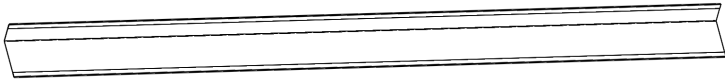
**REPEAT ON ALL FOUR CORNERS**

392 (x4)  
SCREW - 3/4"





# STEP 41 - 12FT ROOF TRIM

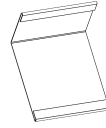


A4M01257 | EDGE TRIM LONG  
(4)

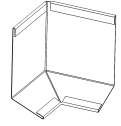


A4M01203 | EDGE TRIM SHORT  
(2)

Qty	PART NUMBER	DESCRIPTION
26	H100759	SCREW SELF TAPPING 1/4x1

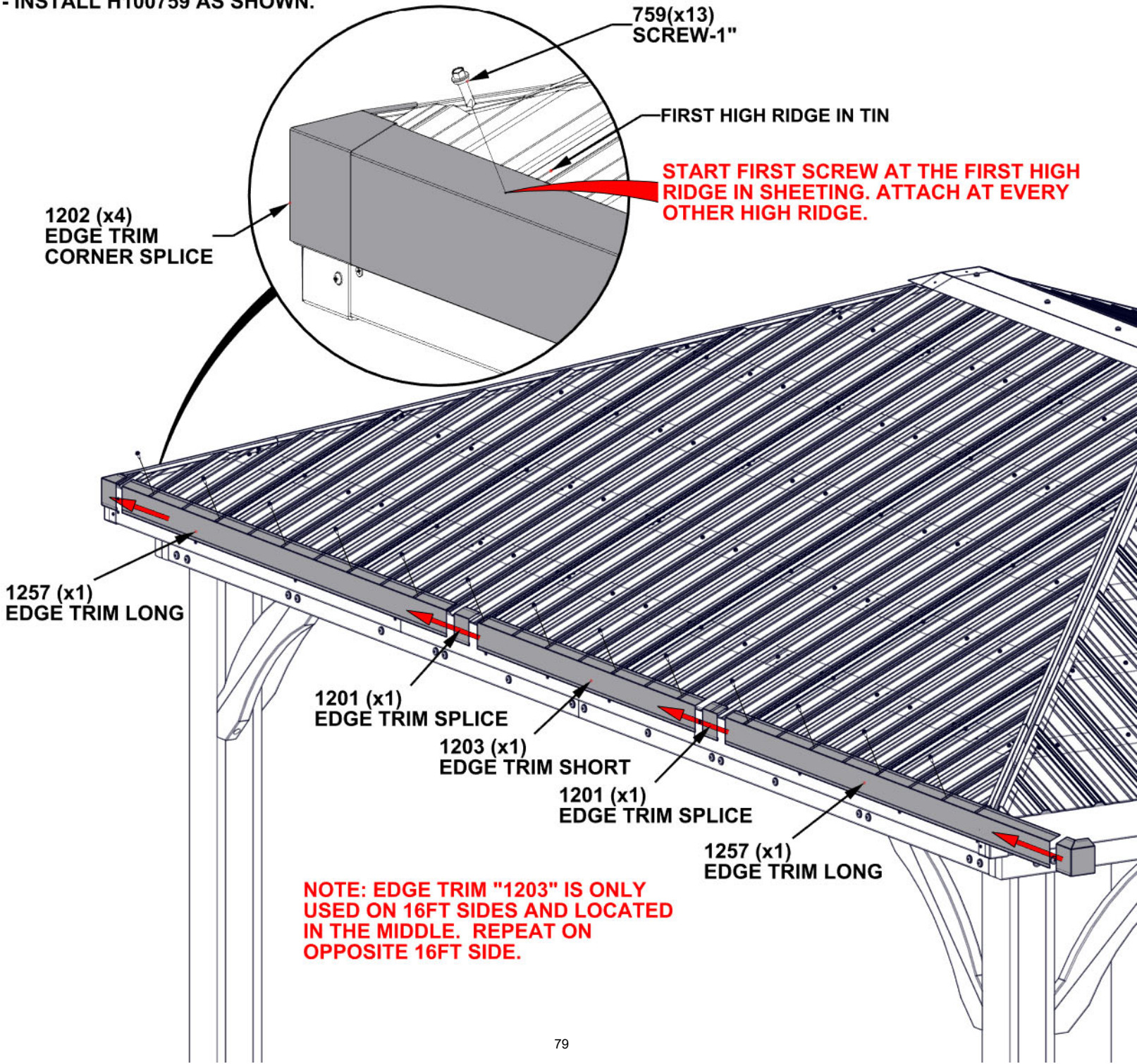


A4M01201 | EDGE TRIM SPLICE  
(4)



A4M01202 | EDGE TRIM CORNER SPLICE  
(4)

- TIPS:**
- START ON THE LEFT SIDE OF A 16FT PANEL.
  - SLIDE EDGE TRIM PIECES TOGETHER AS SHOWN BELOW.
  - MAKE SURE ALL PANELS ARE COVERED BEFORE INSTALLING SCREWS.
  - INSTALL H100759 AS SHOWN.



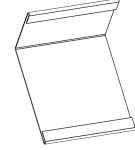


# STEP 42 - 12FT ROOF TRIM

Qty	PART NUMBER	DESCRIPTION
20	H100759	SCREW SELF TAPPING 1/4x1



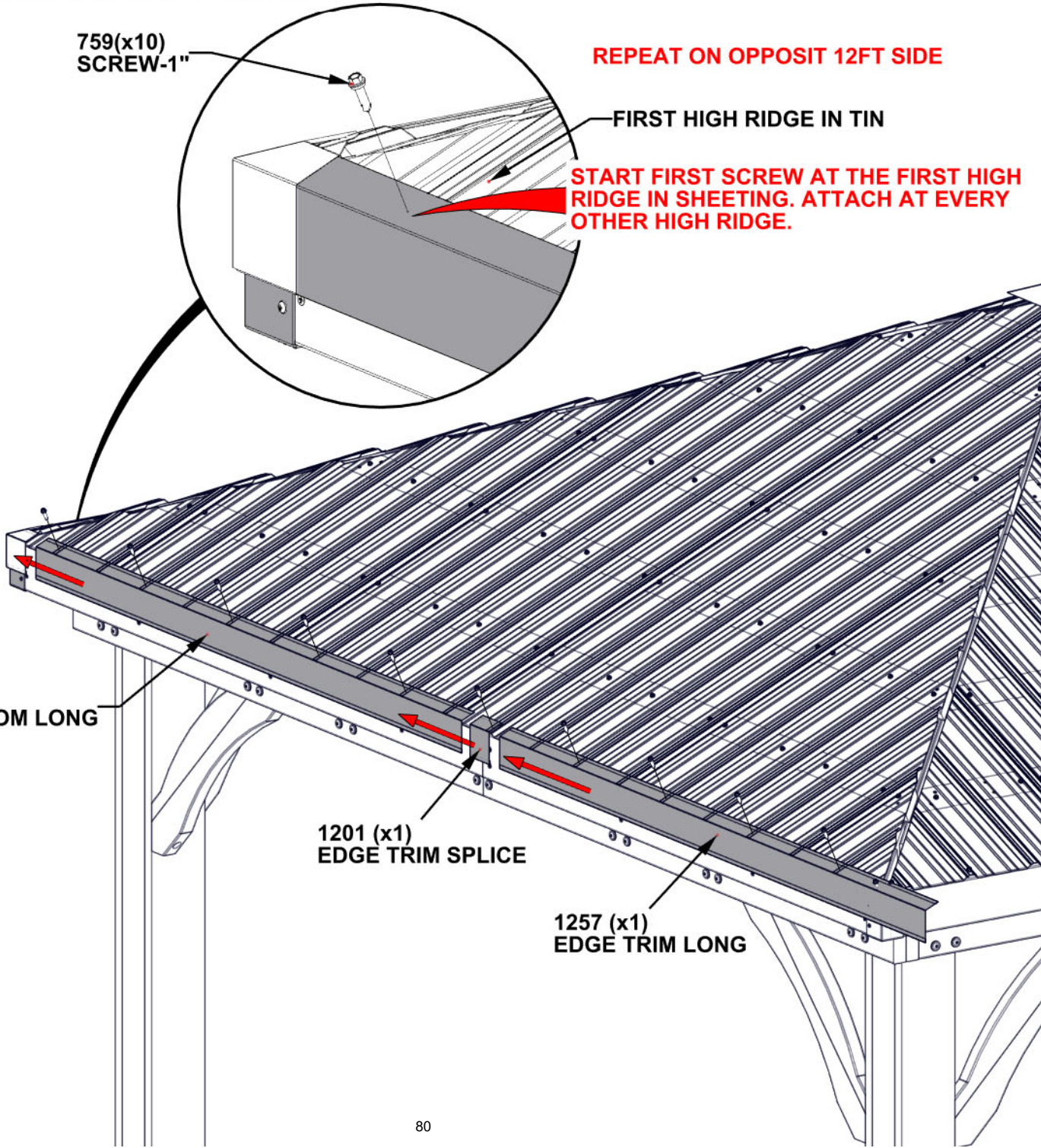
A4M01257 | EDGE TRIM LONG  
(4)



A4M01201 | EDGE TRIM SPLICE  
(2)

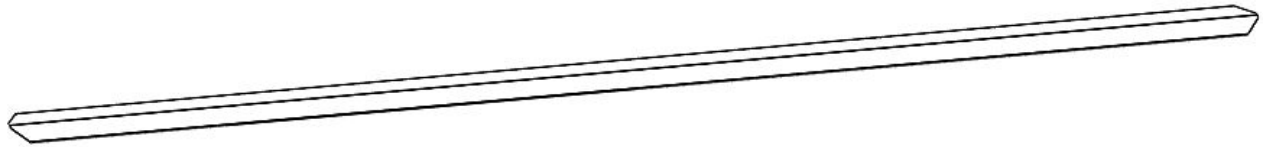
## TIPS"

- START ON THE LEFT SIDE OF A 12FT PANEL.
- SLIDE EDGE TRIM PIECES TOGETHER AS SHOWN BELOW.
- MAKE SURE ALL PANELS ARE COVERED BEFORE INSTALLING SCREWS.
- INSTALL H100759 SCREWS AS SHOWN.





# STEP 43 - ROOF ASSEMBLY

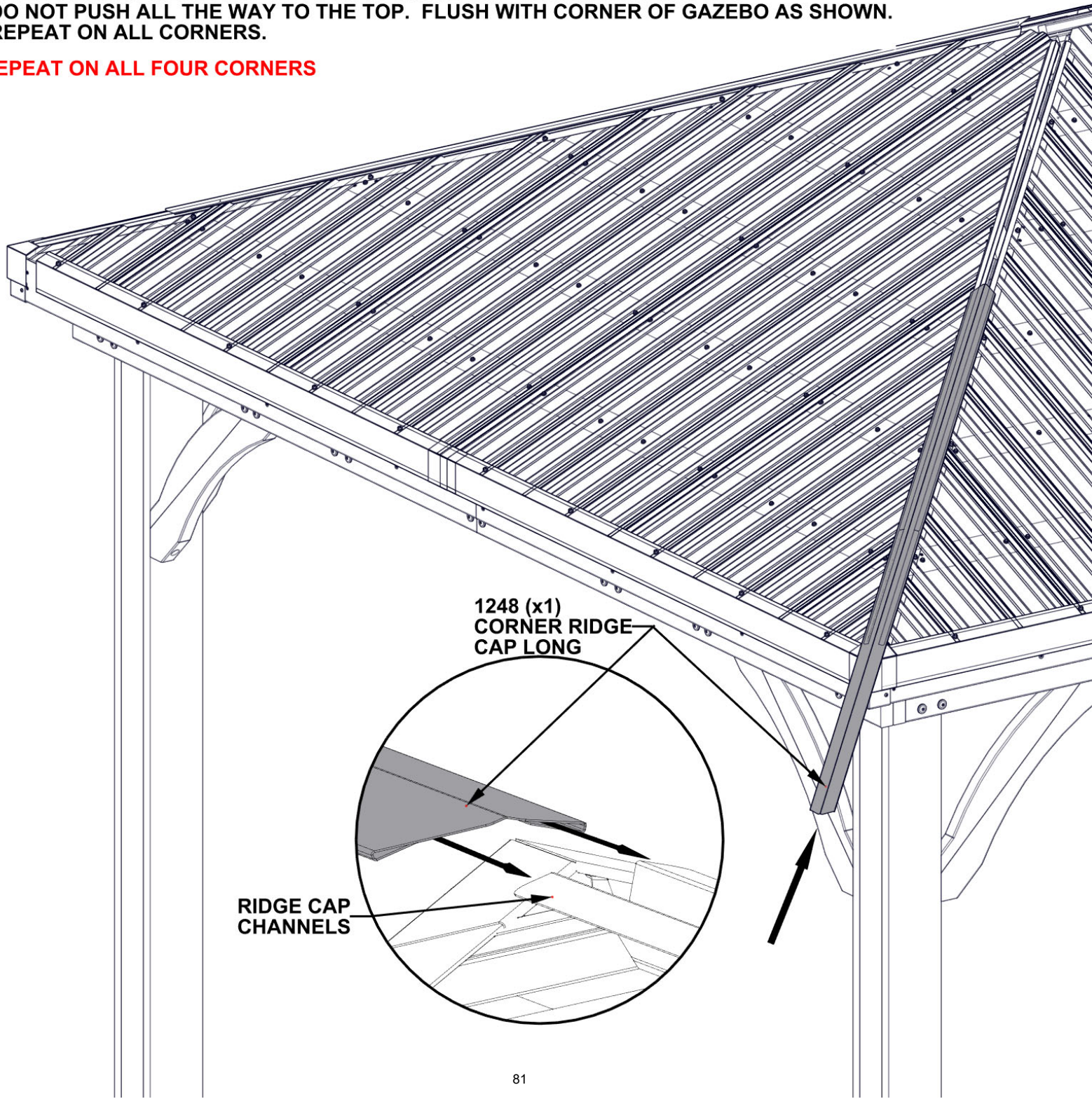


A4M01248 | CORNER RIDGE CAP LONG  
(4)

## TIPS:

- SLIDE CORNER RIDGE CAP ONTO ROOF RIDGE CAP CHANNEL AS SHOWN.
- DO NOT PUSH ALL THE WAY TO THE TOP. FLUSH WITH CORNER OF GAZEBO AS SHOWN.
- REPEAT ON ALL CORNERS.

**REPEAT ON ALL FOUR CORNERS**

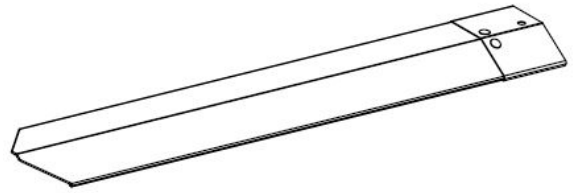


1248 (x1)  
CORNER RIDGE  
CAP LONG

RIDGE CAP  
CHANNELS

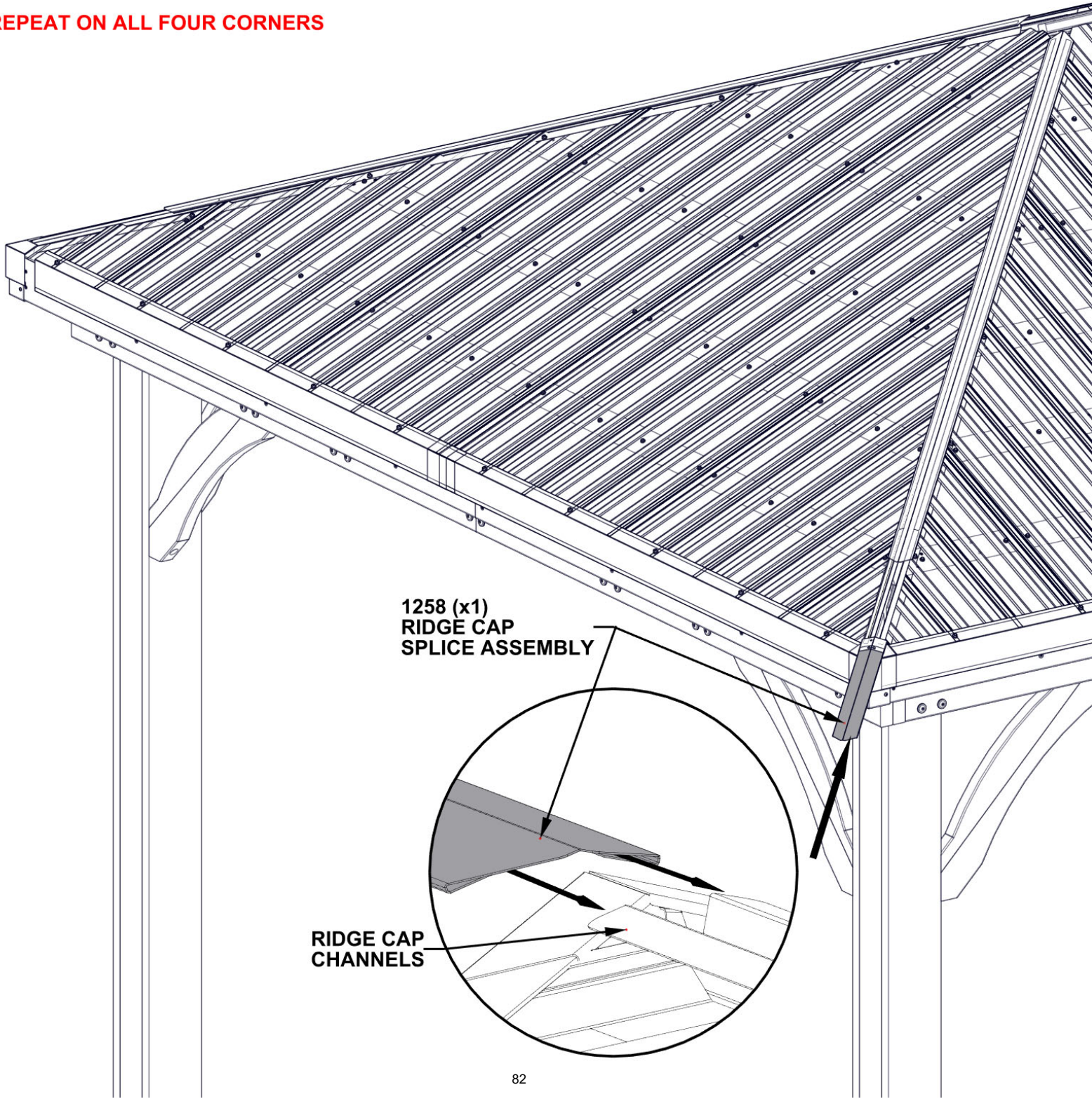


# STEP 44 - ROOF ASSEMBLY



A4M01258 | RIDGE CAP SPLICE ASSEMBLY  
(4)

REPEAT ON ALL FOUR CORNERS



1258 (x1)  
RIDGE CAP  
SPLICE ASSEMBLY

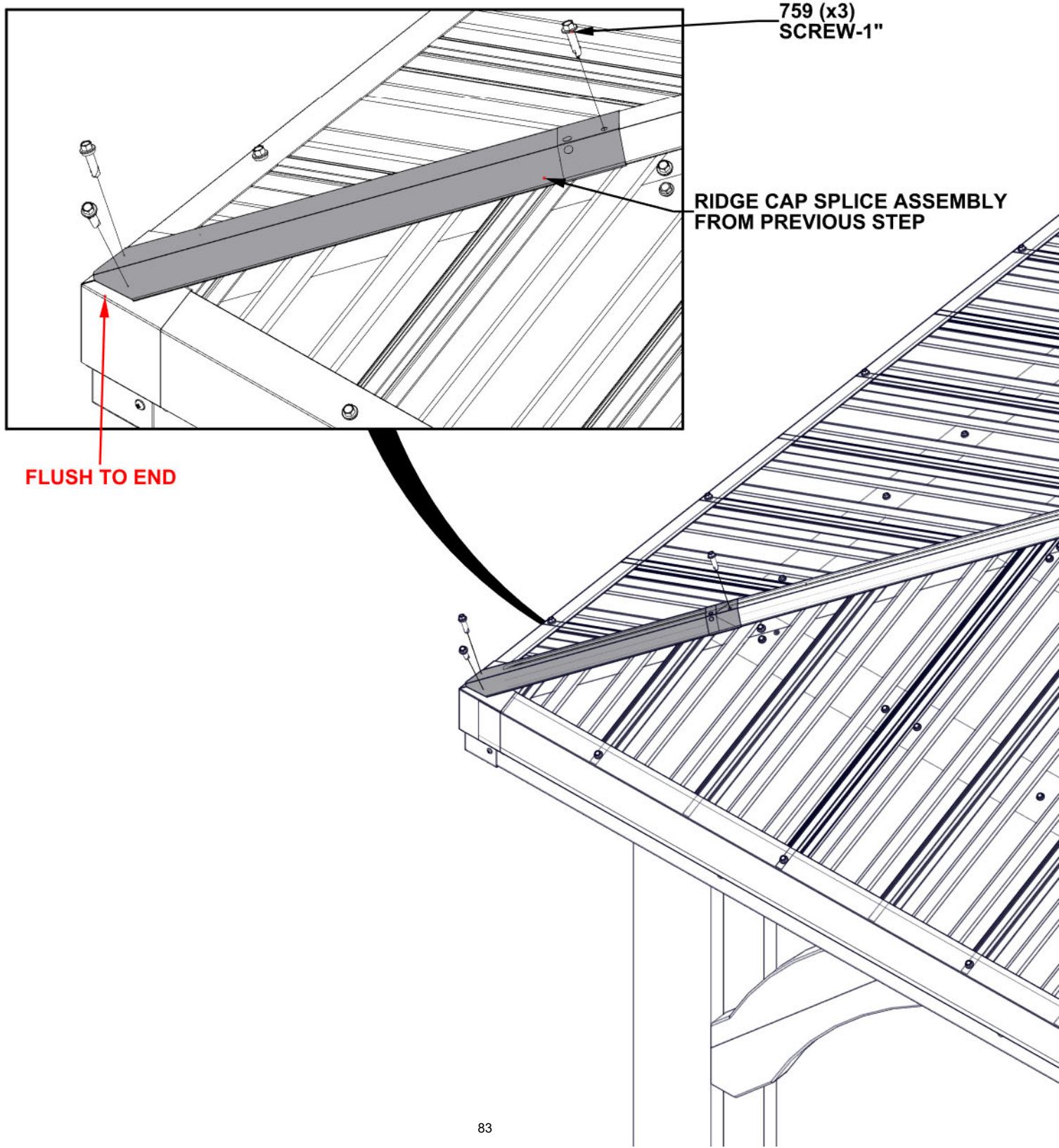
RIDGE CAP  
CHANNELS



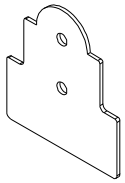
# STEP 45 - ROOF ASSEMBLY

Qty	PART NUMBER	DESCRIPTION
12	H100759	SCREW SELF TAPPING 1/4x1

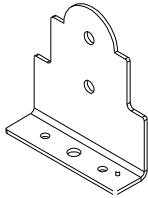
**REPEAT ON ALL FOUR CORNERS**



# STEP 46 - GAZEBO ASSEMBLY



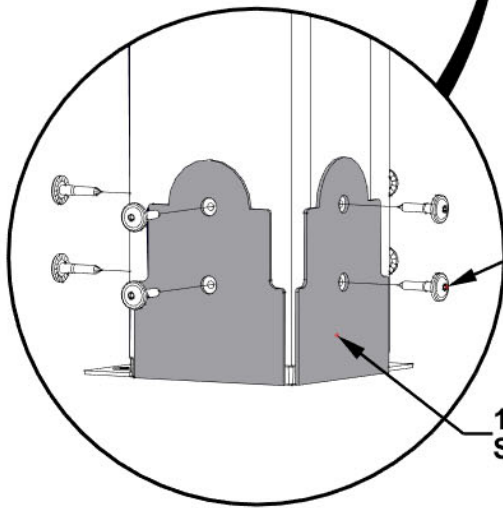
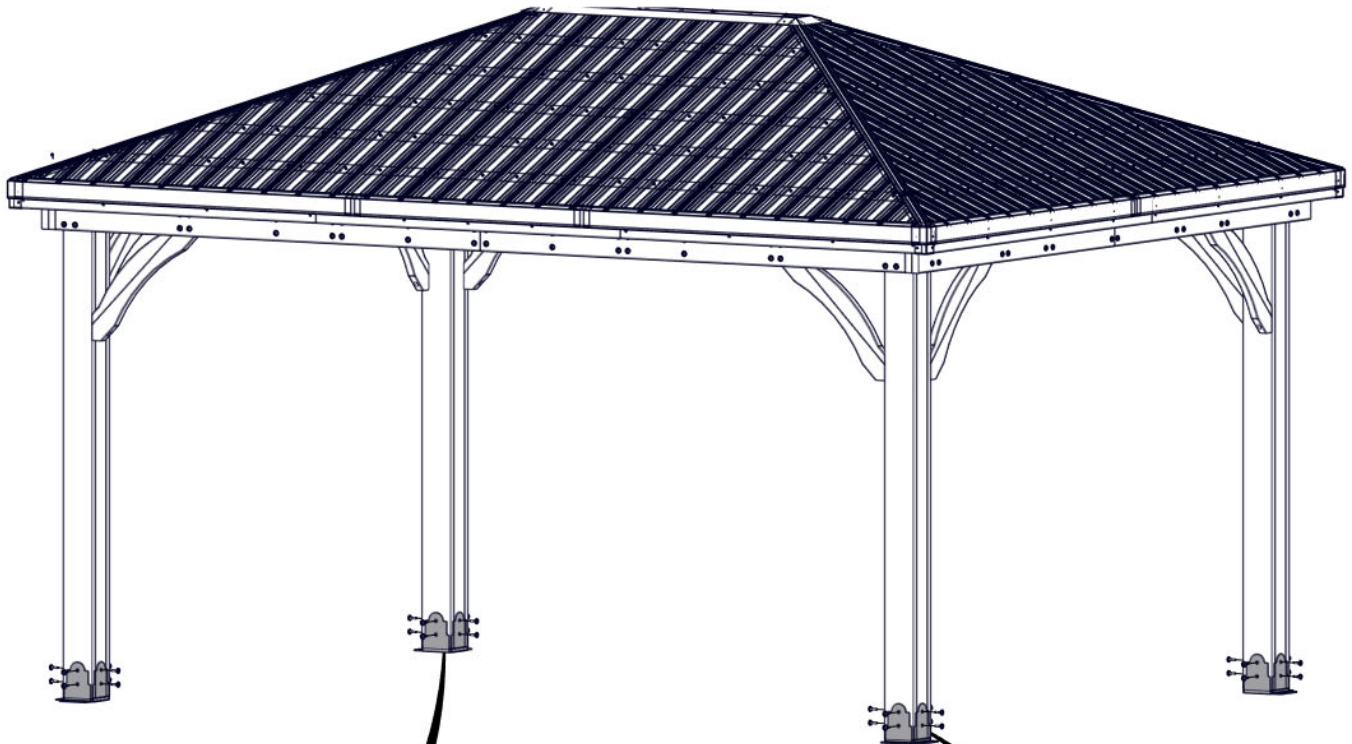
A4M01236 (8) STEEL POST PLATE



A4M01235 (8) STEEL POST ANCHORING PLATE

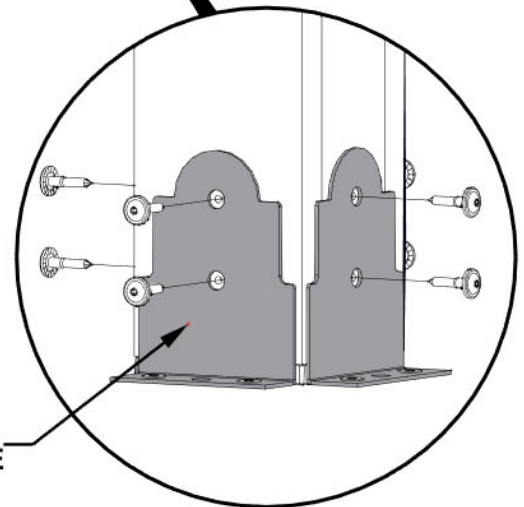
Qty	PART NUMBER	DESCRIPTION
32	H100471	LAG SCREW WH 5/16x1 1/2 BLK

- TIPS:**
- ALL 950 STEEL POST PLATES GO ON THE INSIDES OF THE POST AS SHOWN.
  - ALL 949 STEEL POST ANCHORING PLATES GO ON THE OUTSIDES OF THE POST AS SHOWN



471 (x32)  
LAG SCREW - 1 1/2"

1236 (x8)  
STEEL POST PLATE



1235 (x8)  
STEEL POST ANCHOR PLATE

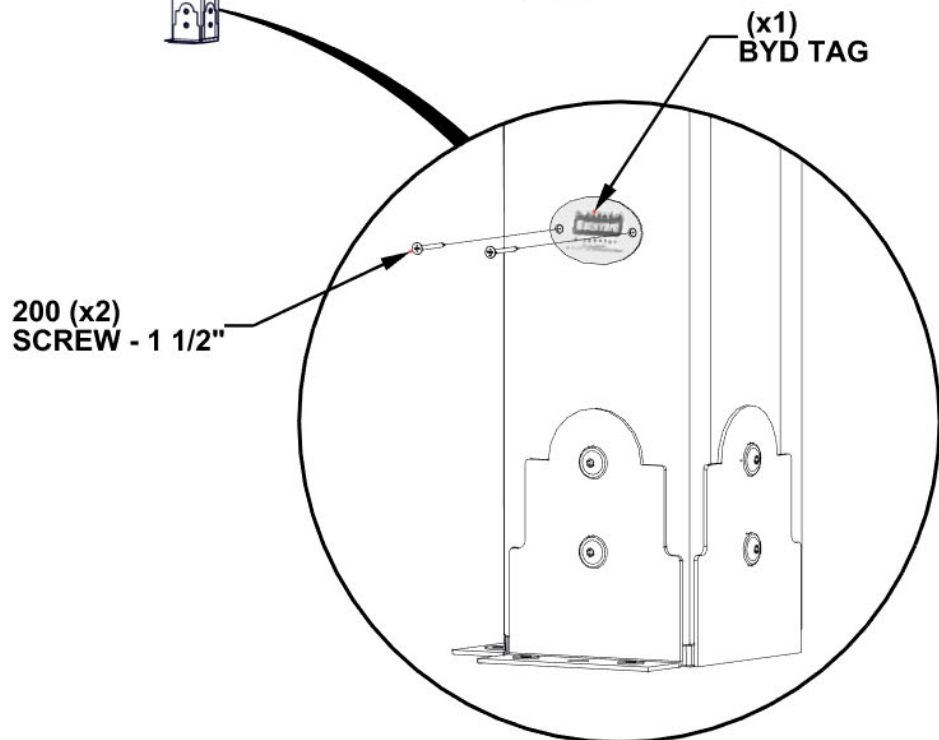
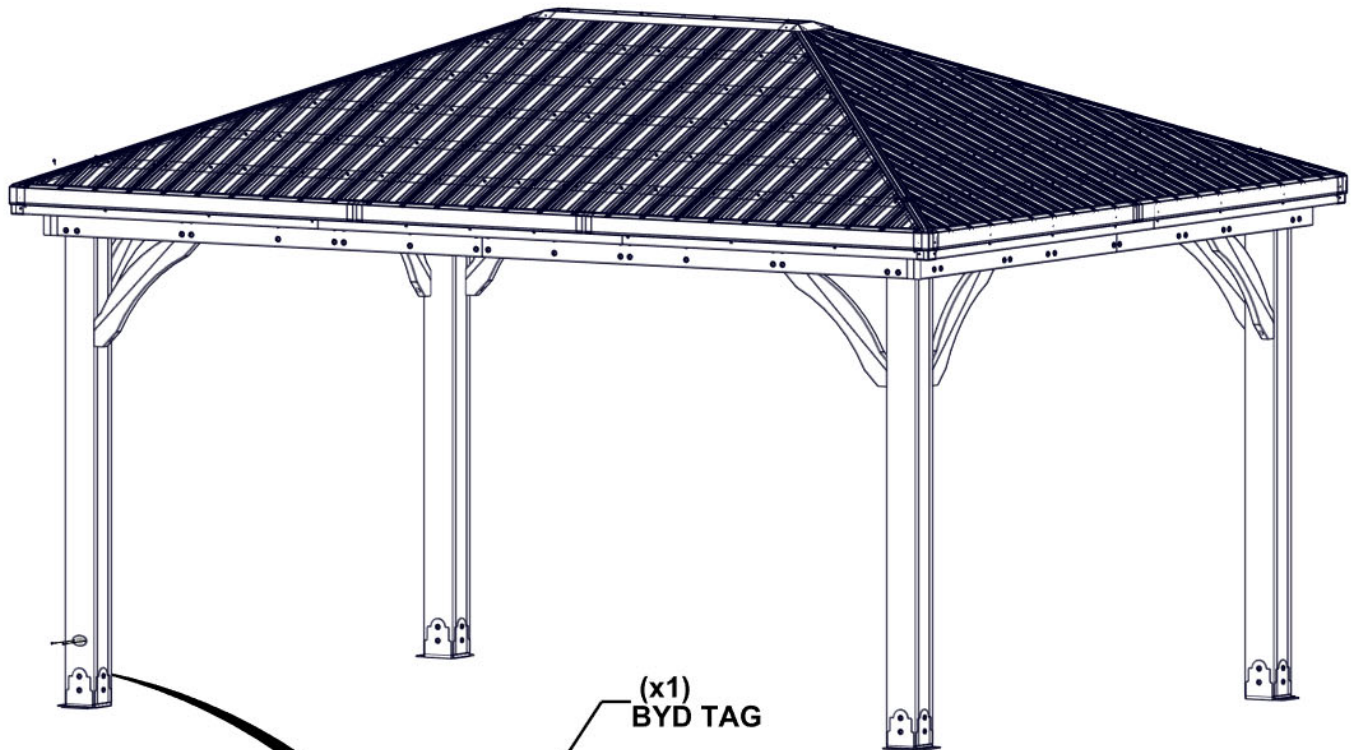


# STEP 47 - GAZEBO ASSEMBLY

Qty	PART NUMBER	DESCRIPTION
2	H100200	SCREW PFH 8x1 1/2 BLK

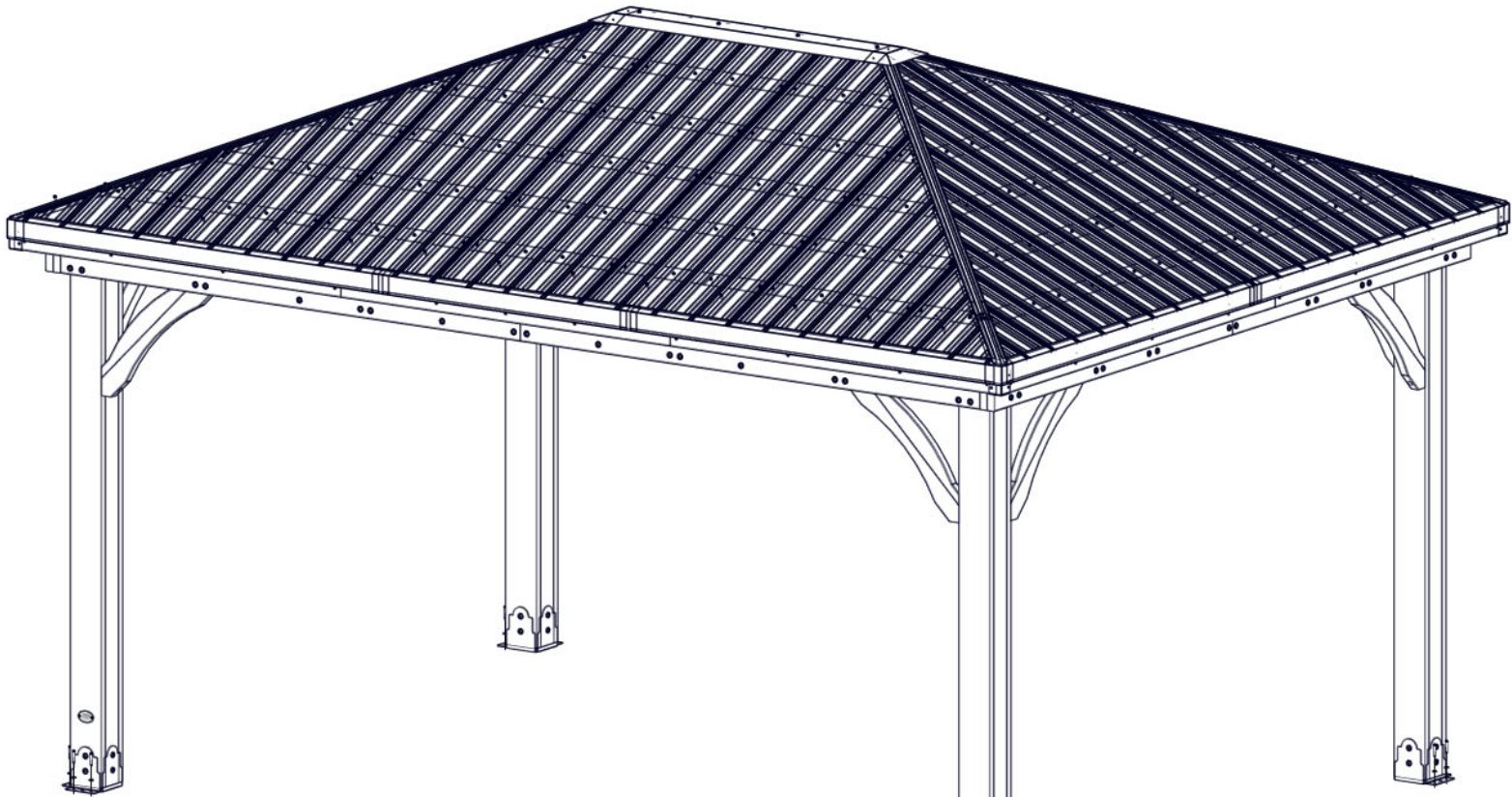


A100241 | BYD ID TAG  
(1) | (SMALL)  
WITHOUT AGES



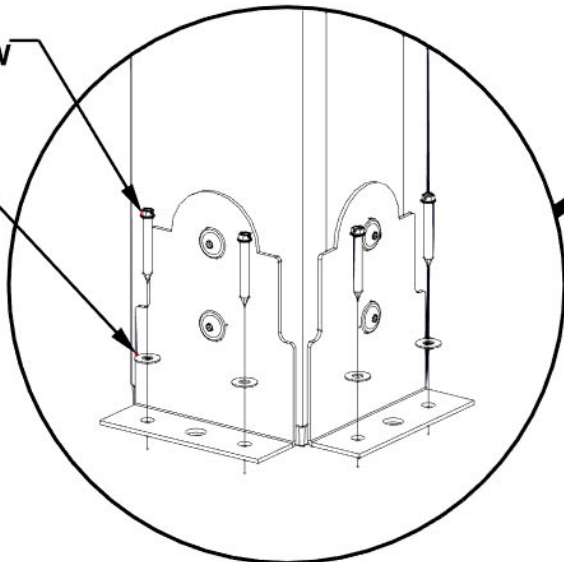
# STEP 48 - GAZEBO ASSEMBLY

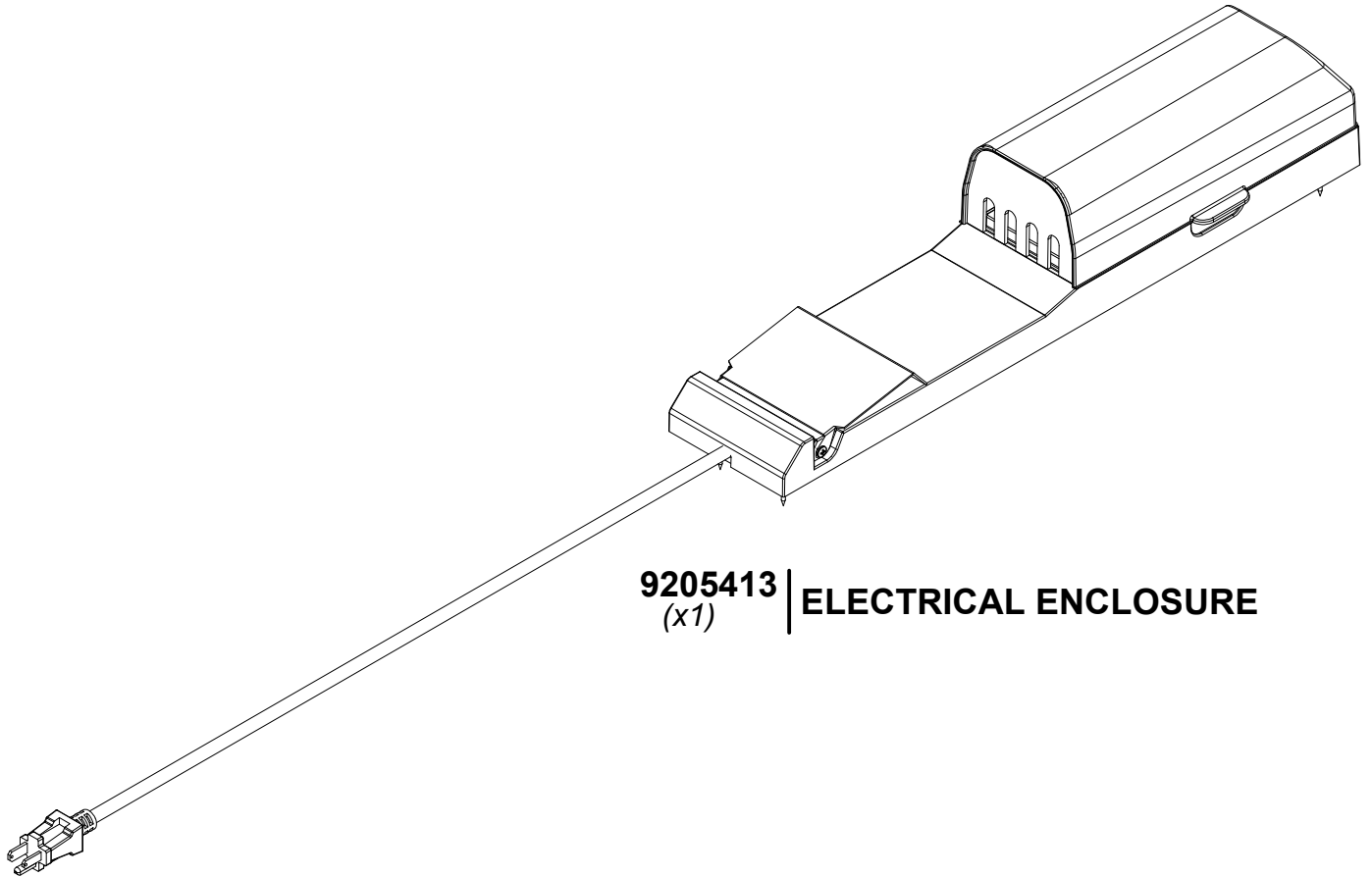
Qty	PART NUMBER	DESCRIPTION
16	H100120	CONCRETE ANCHOR 1/4"x2"
16	H100630	WASHER FLAT 8x19 BLK



120 (x16)  
CONCRETE SCREW

630 (x16)  
WASHER-8x19





**9205413** | **ELECTRICAL ENCLOSURE**  
(x1)

FOR POWERPORT INSTALLATION REFER TO ASSEMBLY INSTRUCTIONS THAT COME PACKAGED WITH THE POWERPORT KIT. INSTALL ON ANY POST THAT IS DESIRED. FOLLOW DIRECTIONS FOR PROPER INSTALLATION.