



Manufactured by:
 Backyard Discovery
 3305 Airport Drive, Pittsburg,
 KS 66762 800-856-4445

Basepoint Business Centre: Rivermead Drive, Westlea, Swindon SN5 7EX Phone: 0800-118-2476
 J.P. Coenstraat 7, The Bridge, The Hague, 2595 WP, Netherlands Phone: 08005678990

SAXONY XL

MODEL # : 2206083

**THE ASSEMBLY MANUAL MUST BE RETAINED
 SINCE IT CONTAINS IMPORTANT INFORMATION**



Please visit www.backyarddiscovery.com
 For the most up to date assembly manual, to register your product, or to order
 replacement parts *Para obtener instrucciones en español, visite*
www.backyarddiscovery.com



EASY STEP-BY-STEP
3D INTERACTIVE INSTRUCTIONS
 DOWNLOAD THE FREE APP



**INSTALLATION
 SERVICES
 AVAILABLE!**
See inside for details



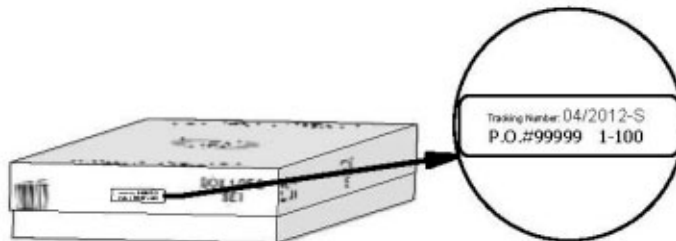
Please read entire booklet completely before beginning the assembly process

Please retain these instructions and your receipt for future reference. Keep them in a safe place where you can refer to them as needed. In order to provide you with the most efficient service, it is required that you provide us with the part numbers when ordering parts.

For Your Records:

Please take time and fill out the information below. This information will be needed for warranty issues.

Where Purchased: _____
 Date of Purchase: _____
 Installation Date: _____
 Installed by: _____
 Tracking Number: _____



Tracking Number Reference Label

Tracking ID number on the carton and on the bottom of the vertical ID plate are included for tracking purposes associated with warranty claims.

This Limited Warranty by Backyard Discovery applies to products manufactured under the Backyard Discovery brand or its other brands including but not limited to Backyard Botanical, Adventure Playsets, and Leisure Time Products.

Backyard Discovery warrants that this product is free from defect in materials and workmanship for a period of one (1) year from the original date of purchase. This one (1) year warranty covers all parts including wood, hardware, and accessories. All wood carries a five (5) year pro-rated warranty against rot and decay. Refer to the schedule below for charges associated with replacement of parts under this Limited Warranty. In addition, Backyard Discovery will replace any parts within the first 30 days from date of purchase found to be missing from or damaged in the original packaging.

This warranty applies to the original owner and registrant and is non-transferable. Regular maintenance is required to assure maximum life and performance of this product. Failure by the owner to maintain the product according to the maintenance requirements may void this warranty. Maintenance guidelines are provided in the Owner's Manual.

This Limited Warranty does not cover:

- Labor for any inspection
- Labor for replacement of any defective item(s)
- Incidental or consequential damages
- Cosmetic defects which do not affect performance or integrity of a part or the entire product
- Vandalism, improper use, failure due to loading or use beyond the capacities stated in the applicable Assembly Manual.
- Acts of nature including but not limited to wind, storms, hail, floods, excessive water exposure
- Improper installation including but not limited to installation on uneven, unlevel, or soft ground
- Minor twisting, warping, checking, or any other natural occurring properties of wood that do not affect performance or integrity

Backyard Discovery products have been designed for safety and quality. Any modifications made to the original product could damage the structural integrity of the unit leading to failure and possible injury. Modification voids any and all warranties and Backyard Discovery assumes no liability for any modified products or consequences resulting from failure of a modified product.

This product is warranted for RESIDENTIAL USE ONLY. Under no circumstance should a Backyard Discovery product be used in public settings. Such use may lead to product failure and potential injury. Any and all public use will void this warranty. Backyard Discovery disclaims all other representations and warranties of any kind, express or implied.

Pro Rated Part Replacement Schedule

<u>Product Age</u>	<u>Customer Pays</u>
All Parts	
0-30 days from date of purchase	\$0 and free shipping
31 days to 1 year	\$0 + S&H
Wood Rot and Decay Only	
1 year	\$0 and free shipping
2 year	20% + S&H
3 year	40% + S&H
4 year	60% + S&H
5 year	80% + S&H
Over 5 years	100% + S&H



WARNING

IT IS IMPORTANT TO CHECK AND TIGHTEN ALL HARDWARE AT THE BEGINNING AND DURING THE SEASON AS THEY MAY LOOSEN DUE TO WOOD EXPANSION AND CONTRACTION.

- **DO NOT climb or walk on the roof for any reason**
- **Requires two or more people to assemble safely**
- **Check for underground utilities before digging or driving stakes into the ground.**
- **Check carefully for overhead lines and ensure there is at least 6ft (2m) clearance from any overhead electrical wires.**
- **Permanent structures may require a building permit. As the purchaser and or installer of this product you are advised to consult local planning, zoning and building inspection departments for guidance on applicable building codes and/or zoning requirements.**
- Wood is NOT flame retardant and will burn. Grills, fire pits and chimineas are a fire hazard if place too close to your structure.
- Wear gloves to avoid injury during installation.
- During installation, follow all safety warnings provided with your tools and use safety glasses.
- Check all nuts and bolts twice monthly during the usage season and tighten as required.(But not so tight that you crack the wood) It is particularly important that this procedure be followed at the beginning of each season.
- Oil all metallic moving parts monthly during the usage period.
- Check all coverings for bolts and sharp edges twice monthly during usage season to be certain they are in place. Replace when necessary. It is especially important to do this at the beginning of each new season.
- For rusted areas on metallic members such as hinges, brackets, etc. sand and repaint, using a non lead-based paint meeting the requirements of Title 16 CRF Part 1303.
- Inspect wood parts monthly. The grain of the wood sometimes will lift in the dry season causing splinters to appear. Light sanding may be necessary to maintain a safe environment. Treating your Product with protection (sealant) after sanding will help prevent severe checking/splitting and other weather damage.
- We have applied a waterborne translucent stain to your unit. This is done for color only. Once or twice a year, depending on your climate conditions, you must apply some type of protection (sealant) to the wood of your unit. Prior to the application of sealant, lightly sand any "rough" spots on your set. Please note this is a requirement of your warranty.

OWNERS SHALL BE RESPONSIBLE FOR MAINTAINING THE LEGIBILITY OF THE WARNING LABELS



Your Backyard Discovery structure is designed and constructed of quality materials. As with all outdoor products it will weather and wear. To maximize the enjoyment, safety and life of your structure it is important that you properly maintain it.

About Our Wood

Backyard Discovery uses 100% Cedar (C. Lanceolata) wood. Although we take great care in selecting the best quality lumber available, wood is still a product of nature and susceptible to weathering which can change the appearance of your set.

What causes weathering? Does it affect the strength of my product?

One of the main reasons for weathering is the effects of water (moisture); the moisture content of the wood at the surface is different than the interior of the wood. As the climate changes, moisture moves in or out of the wood, causing tension which can result in checking and or warping. You can expect the following due to weathering. These changes will not affect the strength of the product:

1. Checking is surface cracks in the wood along the grain. A post (4" x 4") will experience more checking than a board (1" x 4") because the surface and interior moisture content will vary more widely than in thinner wood.

2. Warping results from any distortion (twisting, cupping) from the original plane of the board and often happens from rapid wetting and drying of the wood.

3. Fading happens as a natural change in the wood color as it is exposed to sun-light and will turn grey over time.

How can I reduce the amount of weathering to wood product?

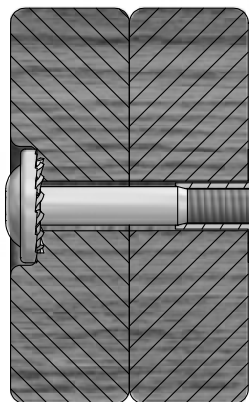
1. Your wood product is coated with a water-based stain. Sunlight will break down the coating, so we recommend applying a water repellent or stain on a yearly basis (see your local stain and paint supplier for a recommended product). You must apply some type of protection (sealant) to the wood of your product. **Please note this is a requirement of your warranty.** Most weathering is just the normal result of nature and will not affect safety. However if you are concerned that a part has experienced a severe weathering problem please call our customer service department for further assistance.

2. Inspect wood parts monthly. The grain of the wood sometimes will lift in the dry season causing splinters to appear. Light sanding may be necessary to maintain a safe environment. Treating your Product with protection (sealant) after sanding will help prevent severe checking/ splitting and other weather damage.



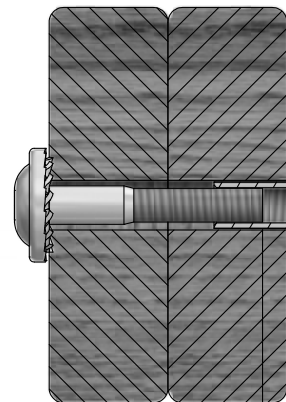
Protrusion Hazard

Incorrect



If you see exposed threads and your bolt protrudes beyond the T-Nut you may have overtightened the bolt or used incorrect hardware. If you've overtightened, remove the bolt and add washers to eliminate the protrusion.

Correct

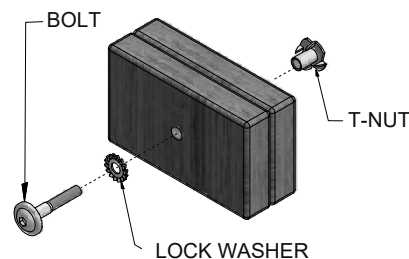


1/8"

Proper Hardware Assembly

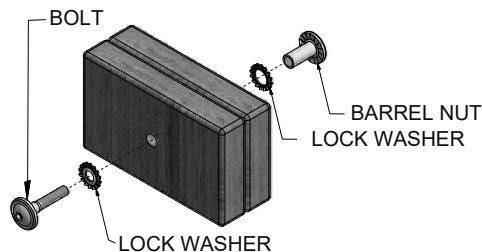
Bolt and T-Nut Assembly

Tap T-nut into the provided hole. Insert your bolt through the lock washer and insert into the provided hole opposite from the T-Nut. Turn clockwise to thread into T-nut. Do not completely tighten until instructed.



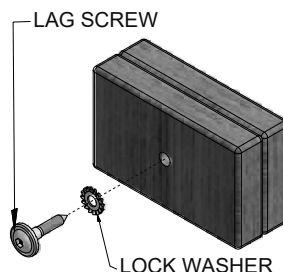
Bolt and Barrel Nut Assembly

Insert barrel nut through the lock washer and press the pair through the provided hole. Insert your bolt through the second lock washer and insert the pair into the provided hole opposite from the barrel nut. Turn clockwise to thread into the barrel nut. Do not completely tighten until instructed.



Lag Assembly

Normally there will be a pre-drilled pilot hole on assemblies that require a Lag Screw. If there is no pilot hole, line up the two boards as they are to be attached and use the factory drilled hole as a guide to drill another pilot hole into the adjoining board. This will keep the wood from splitting. Only a lock washer is required for steps with Lag Screws.

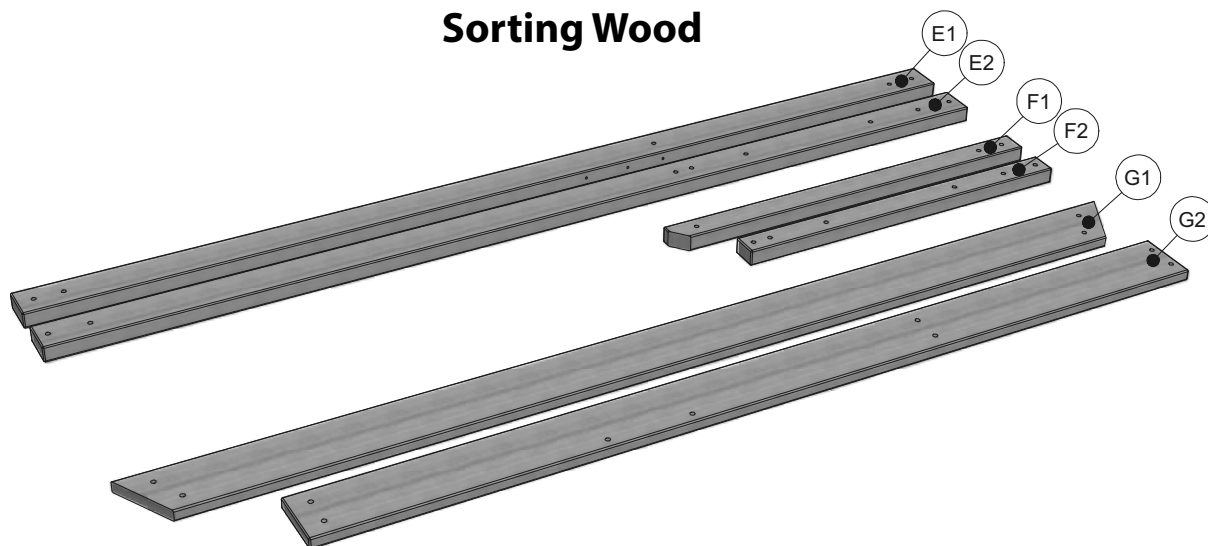




ASSEMBLY TIP:

Keep an eye out for these boxes which will contain helpful pictures and information making the assembly process as quick and painless as possible.

Sorting Wood



When removing the wood from the boxes we recommend arranging them by part number before you begin assembly. This will allow for faster assembly and easily identify any parts that may be missing or damaged.

Sorting Hardware

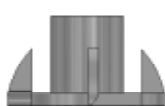
NUT BARREL
H100545



SCREW
H100695



T-NUT
H100699



WASHER FLAT
H100706



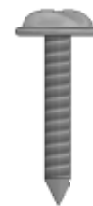
BOLT HEX
H100716



BOLT
H100718



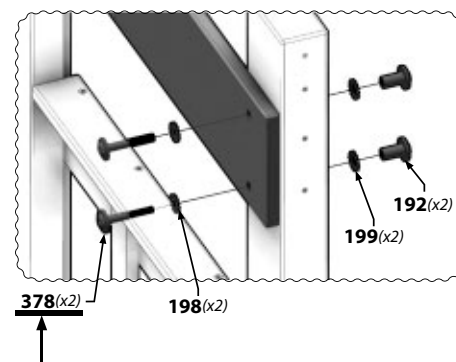
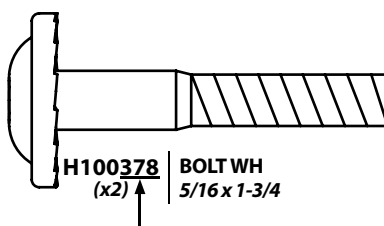
SCREW PWH
H100742

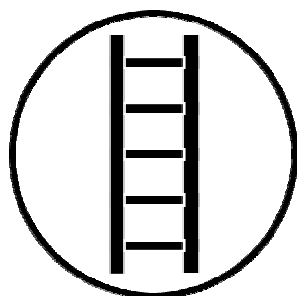
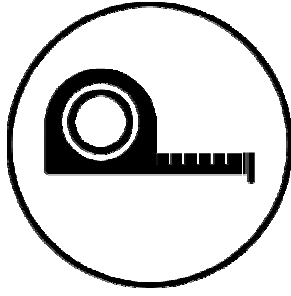
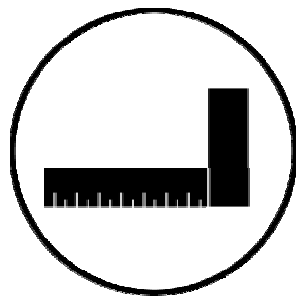
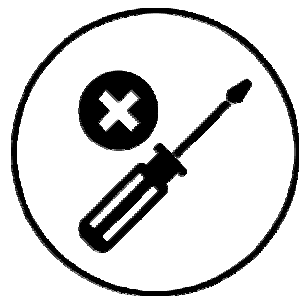
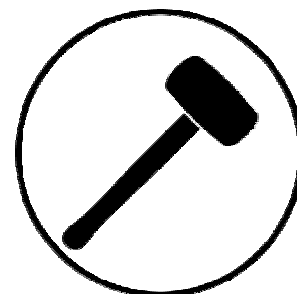
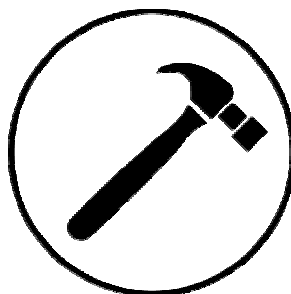
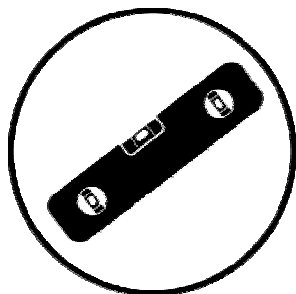
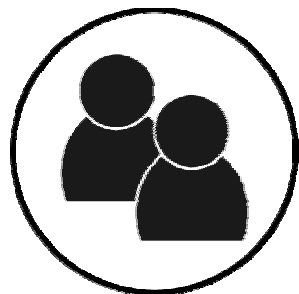


To help with assembly we recommend sorting your hardware bags with the seven digit alpha-numeric number printed on the bags or by hardware type (i.e. bolts, nuts, etc.). Organizing your hardware will make assembly easier.

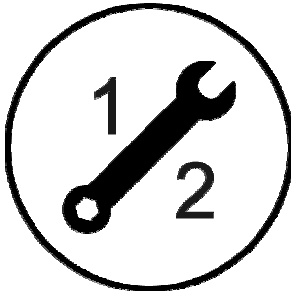
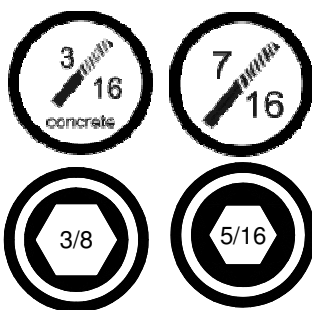
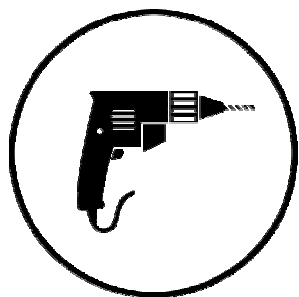
Hardware Identification

Hardware bags are printed with a seven digit alpha-numeric part number. During assembly you only need to reference the last three digits of the part number as noted in each step. This will make finding the correct hardware easier.





(2 NEEDED)



Icons and their uses you will see throughout this manual



You will need to make sure that your assembly is square before tightening your bolts.



When you see this icon you will need a socket wrench. The icons below show the size of attachments needed for assembly 1/2.



For proper assembly you will need to ensure that your structure is level before proceeding to the next step.



This icon warns you to not over tighten your bolts. This is to prevent structural damage and also splintering your wood.



Some steps in the assembly process will require an extra set of hands. Make sure you have a helper available.



A ladder will be needed for assembly. Do NOT stand on the set when it is incomplete, unstable, and not anchored. Failure to do so may result in injury.



This icon shows the size of an open ended wrench. Using the wrench as the fraction bar.



This icon will show you what drill attachments are needed. For this example you will need a Phillips head attachment and 3/8 drill bit.



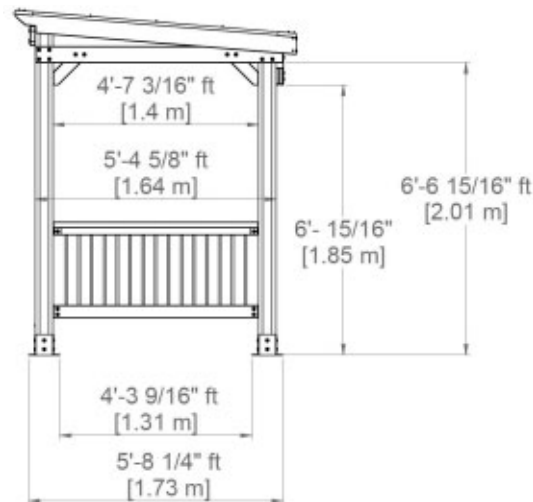
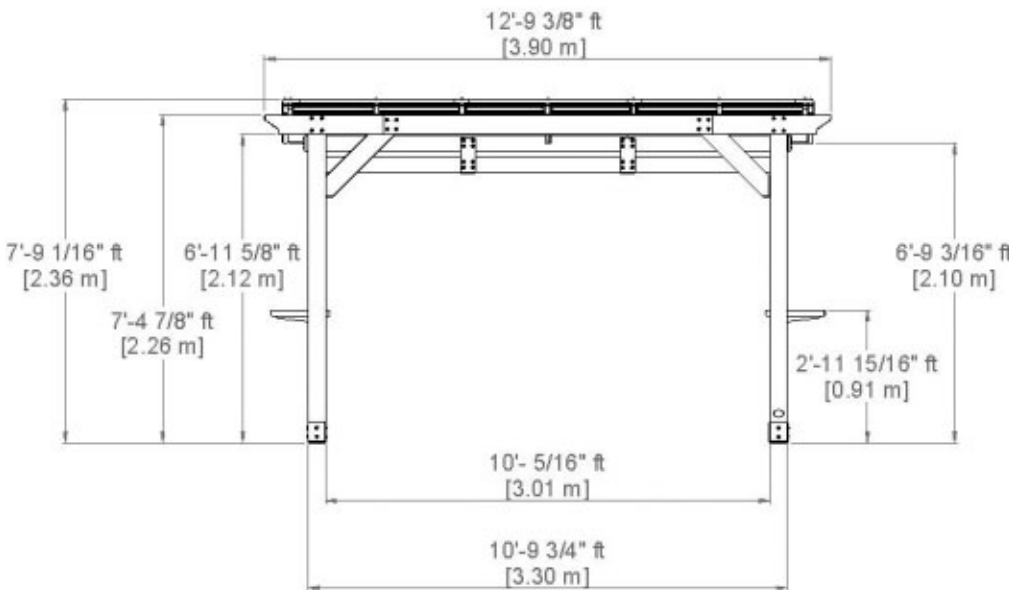
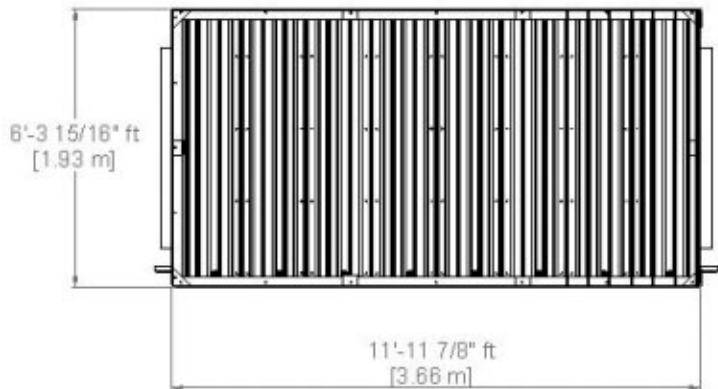
OWNER'S MANUAL - BASIC SETUP DIMENSIONS & ASSEMBLY NOTES

It is critically important that you start with square and level footings, concrete pad or deck to attach your structure

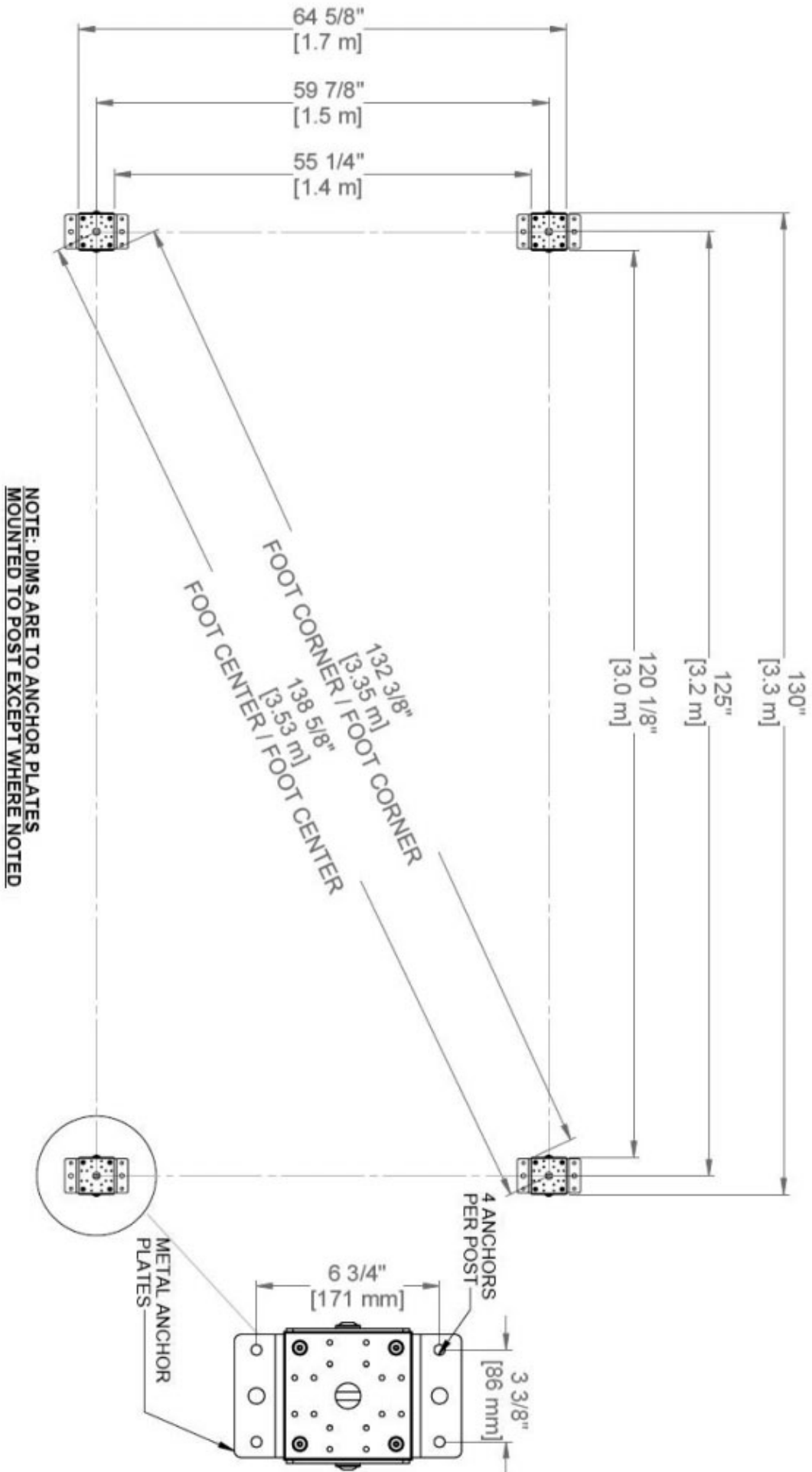
- Pay close attention to the items needed for each step. Make sure you are using the correct hardware for each step. Using incorrect hardware may result in improper assembly
- Remember to double check for underground utilities and overhead electrical lines

Post mounts are provided with your structure which allows you to permanently install your structure to a pre-existing or new wood or concrete surface. See Anchor Instructions for further details and recommendations.

- The hardware to attach the post mounts to the structure is included.
- The hardware to mount the structure permanently to a concrete surface is included.
- The hardware to mount the structure permanently to a wood deck is NOT included and will need to be purchased separately. You must ensure there is ample structural support under the deck before permanently attaching.



OWNER'S MANUAL - ANCHORING LAYOUT



OWNER'S MANUAL - PARTS IDENTIFICATION

Wood Components (Not to Scale)



Q1 | RAIL-W4L16185
(x2) | 15/16"x4 7/16"x86 7/16" (24x112x2196)



Q2 | RAIL-W4L16186
(x2) | 15/16"x4 7/16"x43 5/16" (24x112x1100)



Q3 | RAIL-W4L16187
(x2) | 1 7/16"x4 7/16"x66 9/16" (36x112x1690)



D1 | JOIST END-W4L16188
(x1) | 1 7/16"x5 1/4"x35 13/16" (36x134x910)



D3 | JOIST END-W4L16190
(x1) | 1 7/16"x5 1/4"x35 13/16" (36x134x910)



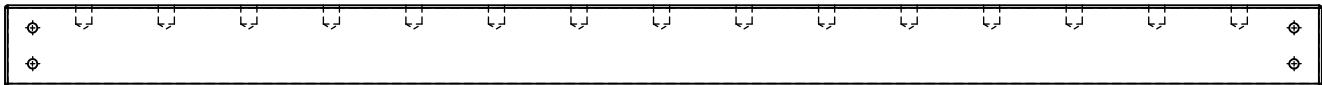
D2 | JOIST-W4L16189
(x1) | 1 7/16"x5 1/4"x89 3/16" (36x134x2266)



D4 | CORBEL-W4L16191
(x1) | 1 7/16"x5 1/4"x32 7/8" (36x134x830)



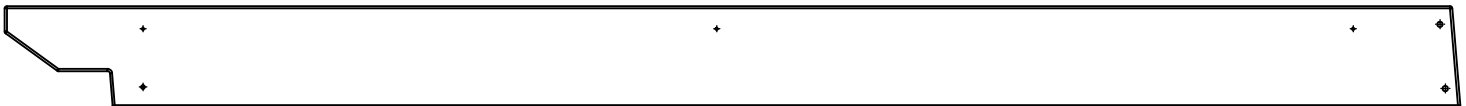
E1 | CORBEL-W4L16192
(x4) | 1 7/16"x3 3/8"x15 3/4" (36x86x394)



E2 | RAIL-W4L16193
(x4) | 1 7/16"x3 3/8"x54 7/8" (36x86x1394)



E3 | RAFTER-W4L16194
(x3) | 1 7/16"x3 3/8"x74 3/16" (36x86x1884)



D5 | BEAM-W4L16195
(x1) | 1 7/16"x5 1/4"x75 13/16" (36x134x1926)



D6 | JOIST-W4L16196
(x2) | 1 7/16"x5 1/4"x72 3/4" (36x134x1848)

OWNER'S MANUAL - PARTS IDENTIFICATION

Wood Components (Not to Scale)



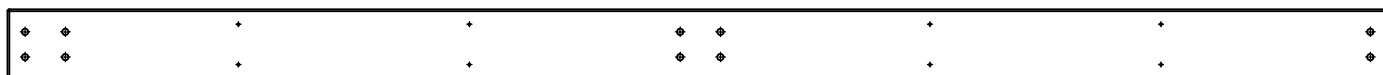
F1 | RAFTER-W4L16197
(x2) | 1 7/16"x2 3/8"x74 3/16" (36x60x1884)



H1 | PURLIN-W4L16198
(x8) | 15/16"x3 3/8"x71 7/8" (24x86x1826)



E4 | RAFTER-W4L16199
(x2) | 1 7/16"x3 3/8"x74 3/16" (36x86x1884)



Q4 | RAIL-W4L16200
(x1) | 15/16"x4 7/16"x86 7/16" (24x112x2196)



Q5 | RAIL-W4L16201
(x1) | 15/16"x4 7/16"x43 5/16" (24x112x1100)



D7 | BEAM-W4L16202
(x1) | 1 7/16"x5 1/4"x75 13/16" (36x134x1926)



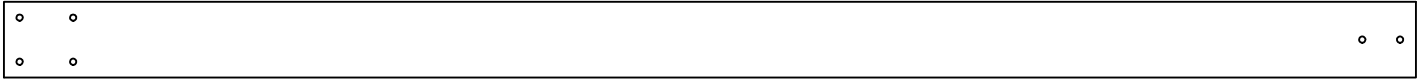
Q8 | RAIL-W4L16205
(x1) | 15/16"x4 7/16"x86 7/16" (24x112x2196)



Q9 | RAIL-W4L16206
(x1) | 15/16"x4 7/16"x43 5/16" (24x112x1100)

OWNER'S MANUAL - PARTS IDENTIFICATION

Wood Components (Not to Scale)



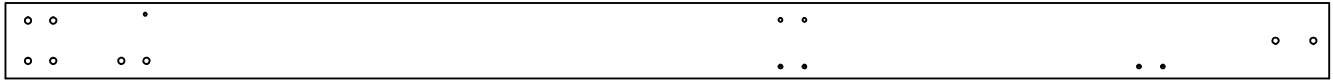
P1 | POST-W2A03364
(x1) | 4 3/4"x4 3/4"x88 1/4" (120x120x2242)



P2 | POST-W2A03365
(x1) | 4 3/4"x4 3/4"x82 3/4" (120x120x2102)



P3 | POST-W2A03366
(x1) | 4 3/4"x4 3/4"x88 1/4" (120x120x2242)



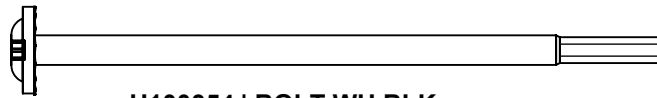
P4 | POST-W2A03367
(x1) | 4 3/4"x4 3/4"x82 3/4" (120x120x2102)



C1 | CORBEL W/ TAG-W2A03369
(x1) | 1 7/16"x5 1/4"x32 7/8" (36x134x830)

OWNER'S MANUAL - PARTS IDENTIFICATION

Hardware Components (Not to Scale)



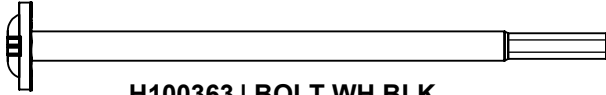
H100354 | BOLT WH BLK
(x15) | 5/16 x 6 1/2



H100653 | NUT LOCK BLK
(x10) | 1/4



H100630 | WASHER FLAT BLK
(x27) | 8 x 19



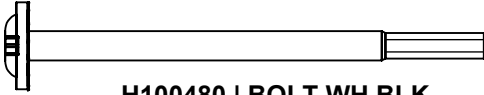
H100363 | BOLT WH BLK
(x26) | 5/16 x 6



H100379 | T-NUT BLK
(x60) | 5/16



H100198 | WASHER LOCK EXT BLK
(x48) | 8 x 19



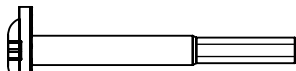
H100480 | BOLT WH BLK
(x9) | 5/16 x 4 3/4



H100469 | NUT BARREL WH BLK
(x42) | 5/16 x 5/8



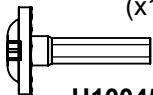
H100199 | WASHER LOCK EXT BLK
(x9) | 12 x 19



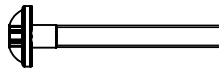
H100195 | BOLT WH BLK
(x18) | 5/16 x 2 3/4



H100378 | BOLT WH BLK
(x18) | 5/16 x 1 3/4



H100459 | BOLT WH BLK
(x22) | 5/16 x 1 1/4



H100488 | BOLT WH BLK
(x6) | 1/4 x 2



H100405 | WASHER LOCK EXT BLK
(x7) | 6 x 15



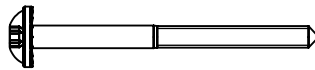
H100486 | BOLT WH BLK
(x4) | 1/4 x 5/8



H100392 | SCREW PWH BLK
(x13) | 8 x 3/4



H100120 | SCREW CONCRETE ANCHOR
(x18) | 1/4x2"



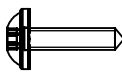
H100792 | LAG SCREW WH BLK
(x7) | 1/4 x 3



H100536 | SCREW PWH BLK
(x11) | 8 x 1 1/4



H101008 | SCREW CONFIRMAT BLK
(x17) | 7 x 3



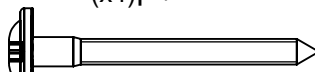
H100460 | LAG SCREW WH BLK
(x4) | 1/4 x 1



H100200 | SCREW PFH BLK
(x17) | 8 x 1 1/2



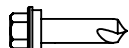
H101117 | SCREW WOODGRIP
(x84) | 10 x 3/4



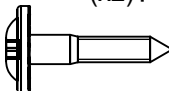
H100206 | LAG SCREW WH BLK
(x2) | 5/16 x 3



H100382 | SCREW PFH BLK
(x84) | 8 x 1 3/4



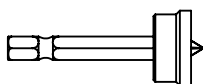
H101116 | SCREW TAPPING
(x26) | 1/4 x 3/4



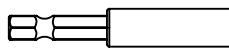
H100471 | LAG SCREW WH BLK
(x42) | 5/16 x 1 1/2



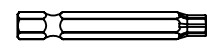
H100201 | SCREW PFH BLK
(x7) | 8 x 2 1/2



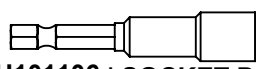
H100764 | SCREW SETTER
(x1) |



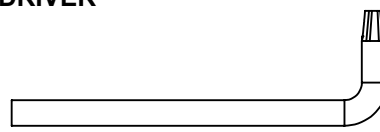
H101100 | MAGNETIC DRIVER
(x1) |



H100147 | TORX BIT
(x1) | T-30



H101106 | SOCKET DRIVER
(x1) | 10mm



H100114 | TORX WRENCH
(x1) | T-30

OWNER'S MANUAL - PARTS IDENTIFICATION

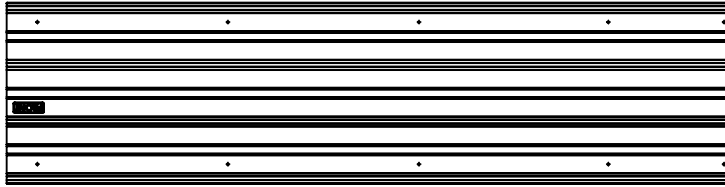
Accessory Components (Not to Scale)



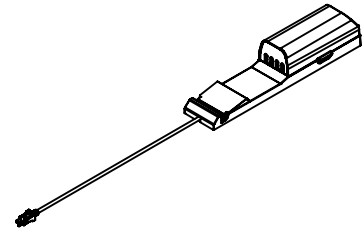
A4M01491
(x2) | ROOF EDGE TRIM



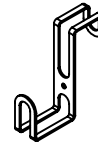
A4M01492
(x4) | ROOF EDGE TRIM



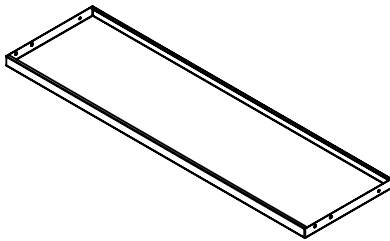
A4M01485
(x8) | 29GA STEEL SHEETING



9205413
(x1) | ELECTRICAL ENCLOSURE



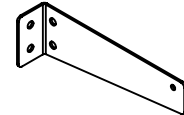
A4M01591
(x10) | HOOK



A4M01488
(x2) | TABLE



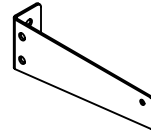
A4M01496
(x2) | ROOF EDGE TRIM SPLICE



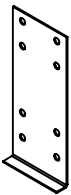
A4M01487
(x2) | L BRACKET



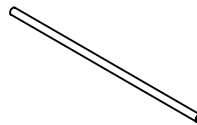
A4M01494
(x4) | CORNER SPLICE TRIM



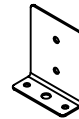
A4M01486
(x2) | L BRACKET



A4M01490
(x6) | SPLICE BRACKET



A4M01225
(x30) | METAL TUBE



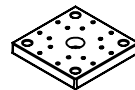
A4M01478
(x8) | POST ANCHORING PLATE



A4M01228
(x5) | RAFTER CLIP



A4M01047
(x2) | L BRACKET 2.5x38x55



A6P00500
(x4) | PLASTIC POST FOOT



A4M00855
(x8) | L BRACKET
51x32x82x3.175



A4M01477
(x8) | POST PLATE



A100241
(x1) | BYD ID TAG (SMALL) WITHOUT AGES

PRE-ASSEMBLY STEP 1 - TOOLS REQUIRED



Cordless Drill
or Electric Drill



Drill
Attachments:
Phillips Head



Open End
Wrenches
1/2" & 7/16"



1/8", 3/16", 3/8" &
7/16" Drill Bits



3/8" Drive Ratchet, 1/2" &
7/16" STD Sockets, 1/2" &
7/16" Deep Sockets



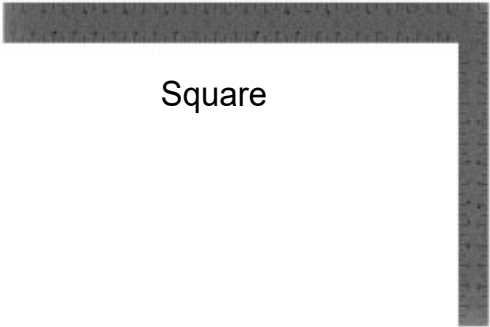
Tape Measure



Claw Hammer



Phillips Screw Driver



Square



Level 24"



Rubber Mallet
- Optional

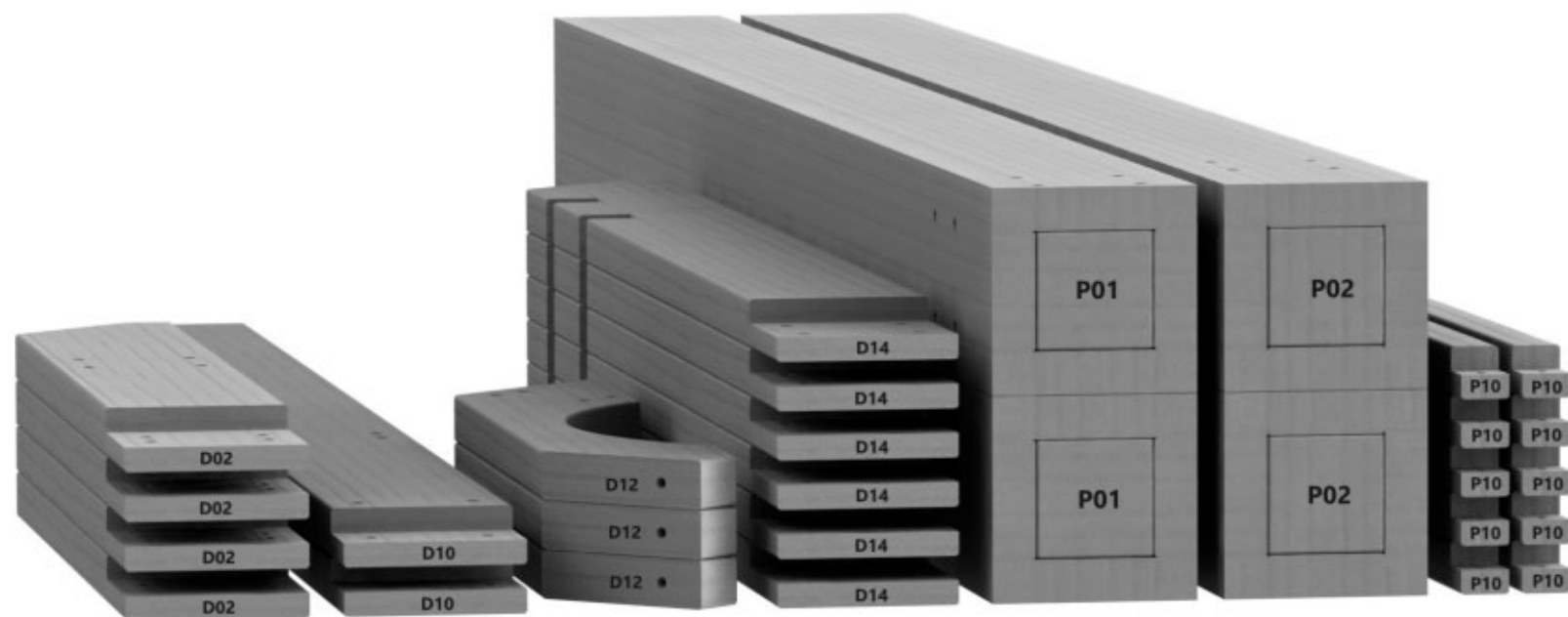
PRE-ASSEMBLY STEP 2 - SORTING PARTS

It is critical for ease of assembly that you take the time to sort and organize the wood and hardware.

WOOD PARTS:

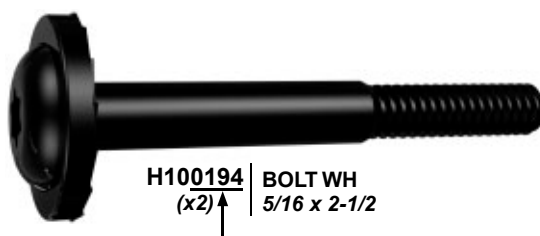
- Organize wood parts by the three-digit, alpha-numeric number stamped on each board (ex. P01).
- If there are multiple boards with the same stamped number, stack those pieces together.
- Stamps can be found on the flat surface of the boards or on the end of the boards.
- Allow yourself plenty of room - the wood pieces can take up a significant amount of space.

NOTE: CARTONS ARE NOT ORGANIZED BY BOARD NUMBER.



HARDWARE PARTS:

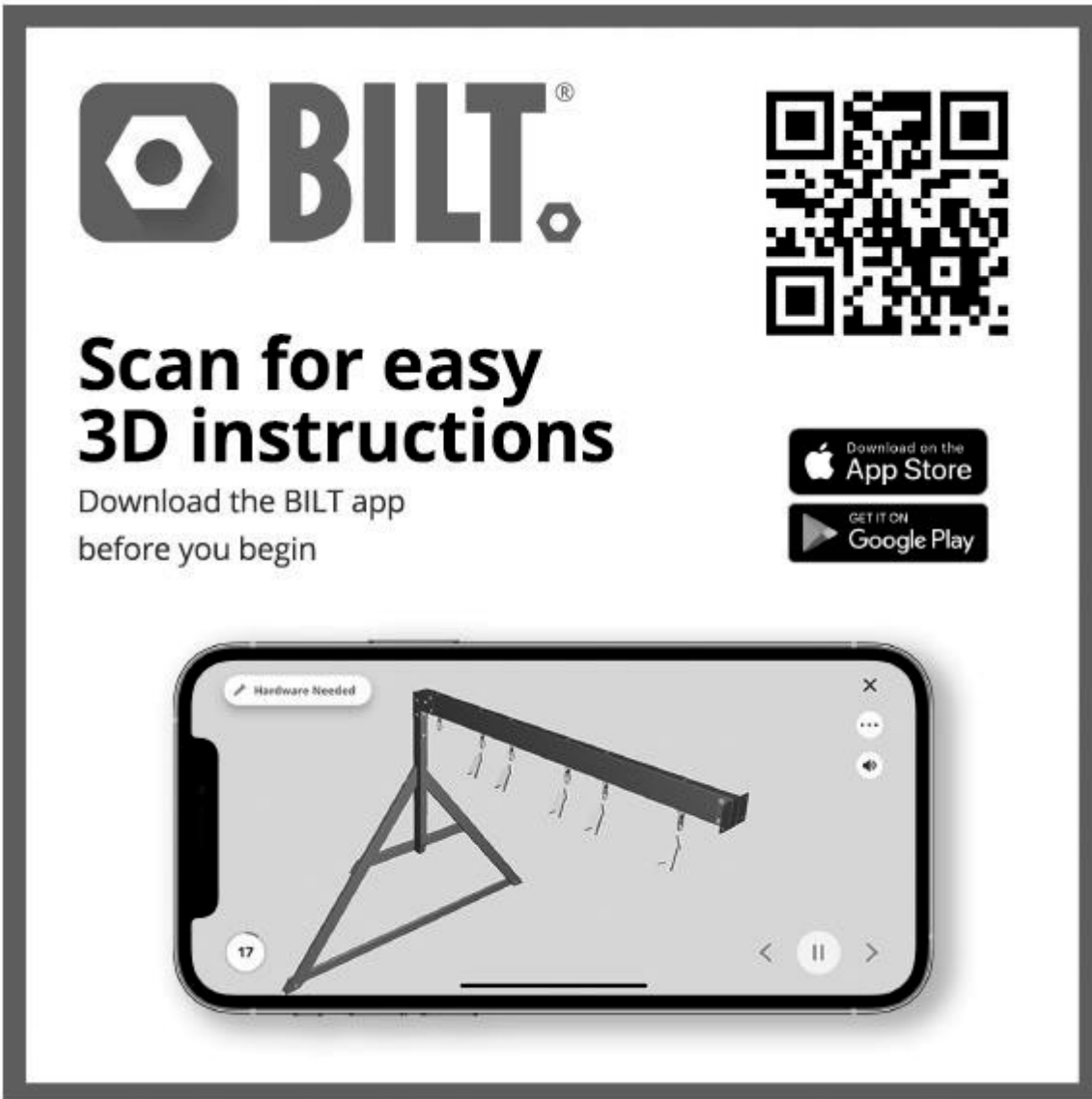
- We recommend that you have a separate table to organize the hardware.
- Hardware bags are printed with a seven-digit, alpha-numeric part number.
- You can organize your hardware by part number or group by hardware type (i.e. bolts, nuts, etc.).
- During assembly you only need to reference the last four digits of the number.



PRE-ASSEMBLY STEP 3 - CHOOSE YOUR ASSEMBLY METHOD

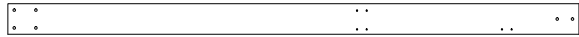
There are several types of assembly instructions available to you.

1. Printed Assembly Manual included with your set
2. BILT APP - 3D interactive instructions
3. Combination of the Printed Manual and BILT APP (Note: Step numbers can differ between the two methods)



The graphic is a rectangular advertisement for the BILT app. At the top left is the BILT logo, which consists of a stylized hexagonal bolt head icon followed by the word "BILT." in a bold, sans-serif font with a registered trademark symbol. To the right of the logo is a large QR code. Below the logo and QR code, the text "Scan for easy 3D instructions" is written in a large, bold, black font. Underneath this, in a smaller font, it says "Download the BILT app before you begin". To the right of this text are two buttons: "Download on the App Store" with the Apple logo and "GET IT ON Google Play" with the Google Play logo. At the bottom of the graphic is a smartphone displaying the BILT app interface. The screen shows a 3D model of a metal truss structure. A label "Hardware Needed" is visible in the top left corner of the app screen. The number "17" is in a small circle in the bottom left corner of the app screen. In the bottom right corner of the app screen, there are navigation icons: a back arrow, a pause button, and a forward arrow.

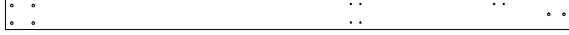
STEP 1 - GAZEBO ASSEMBLY



P1 | POST-W2A03364
 (x1) | 4 3/4"x4 3/4"x88 1/4" (120x120x2242)



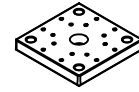
P2 | POST-W2A03365
 (x1) | 4 3/4"x4 3/4"x82 3/4" (120x120x2102)



P3 | POST-W2A03366
 (x1) | 4 3/4"x4 3/4"x88 1/4" (120x120x2242)

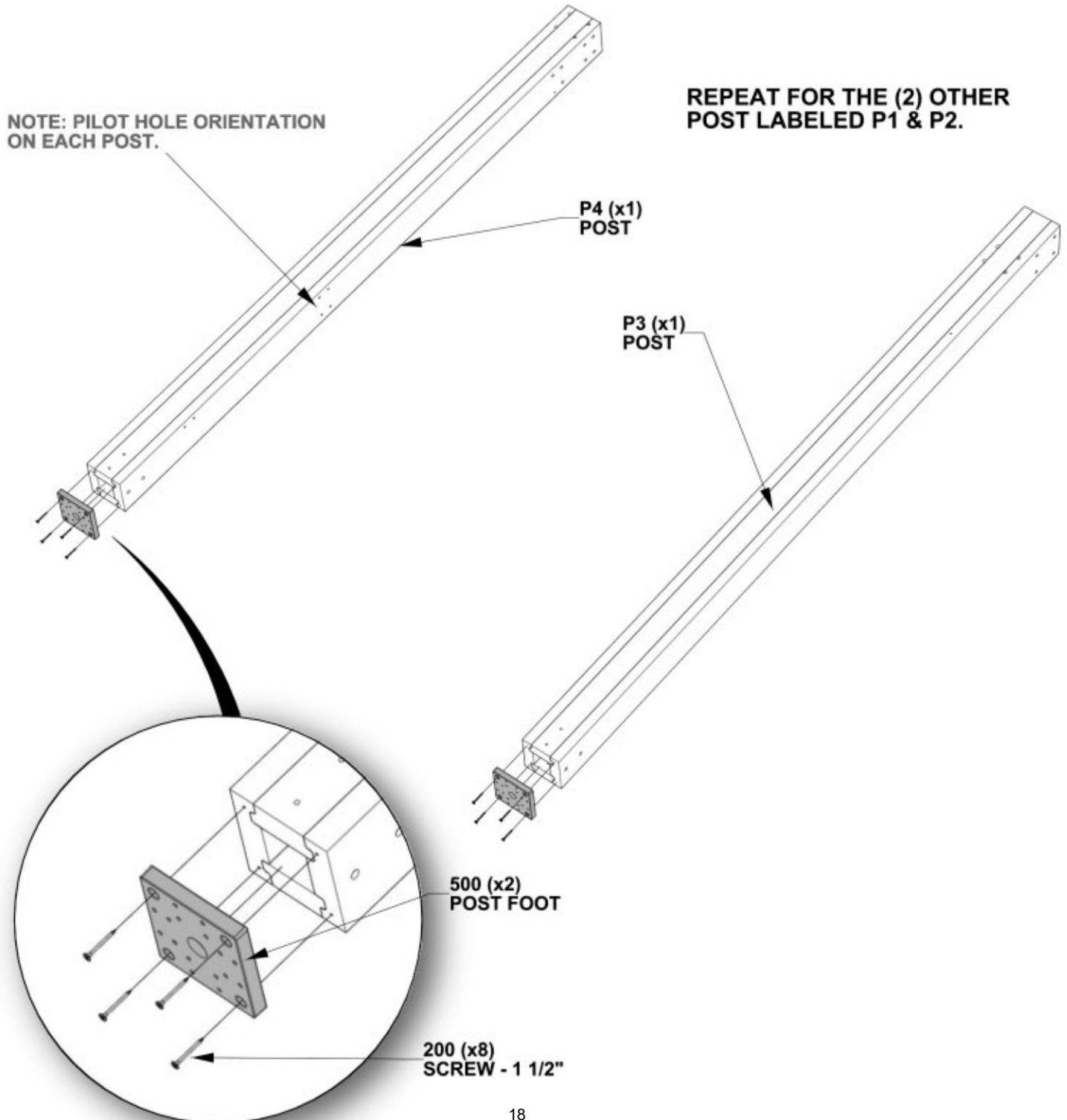


P4 | POST-W2A03367
 (x1) | 4 3/4"x4 3/4"x82 3/4" (120x120x2102)



A6P00500
 (x4) | PLASTIC POST FOOT

QTY.	PART NUMBER	DESCRIPTION
16	H100200	SCREW PFH 8 X 1 1/2 BLK

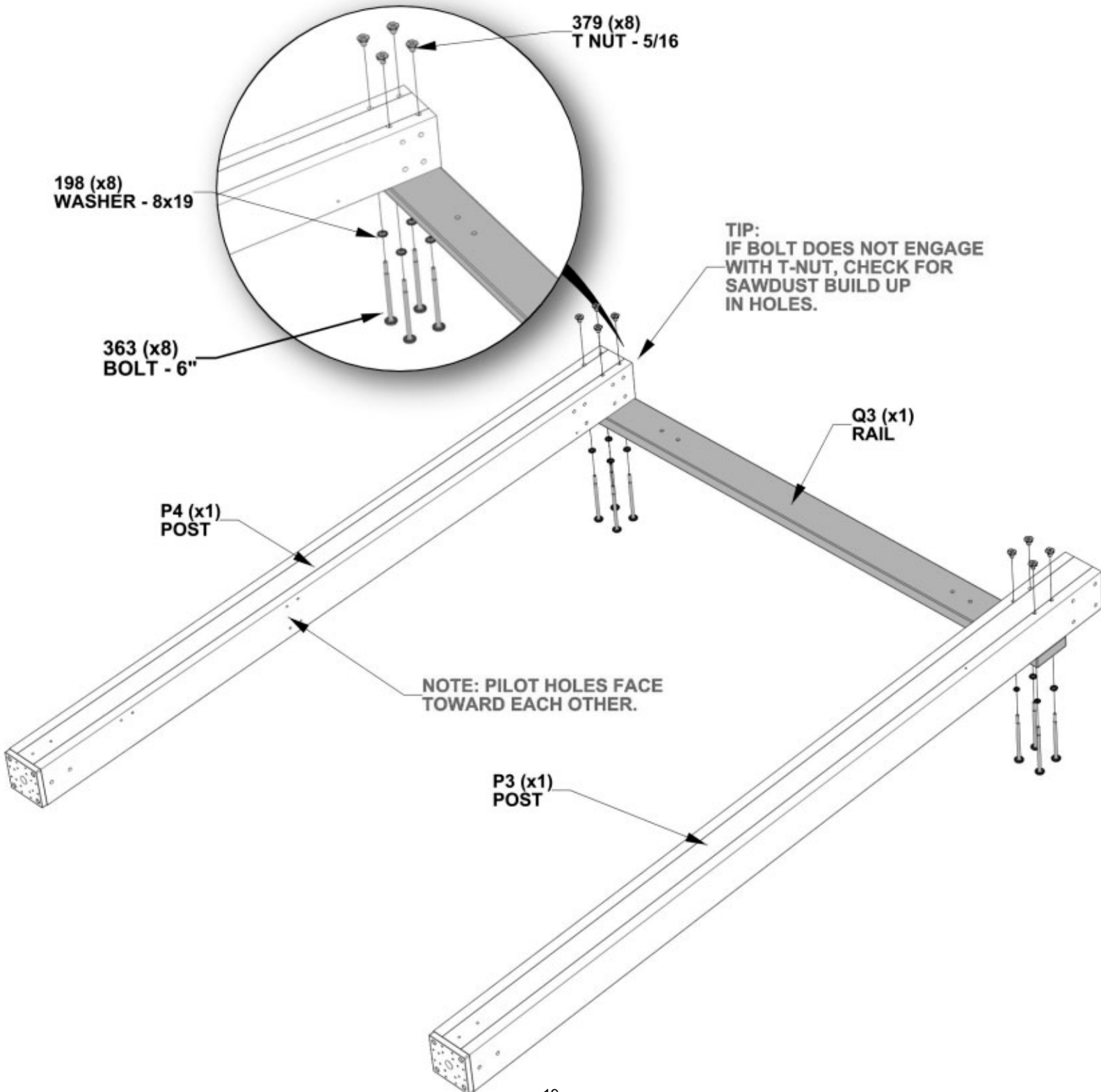


STEP 2 - GAZEBO ASSEMBLY

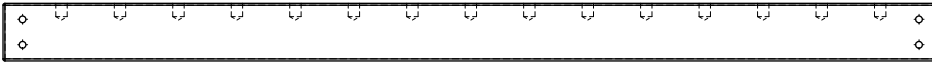


Q3 | RAIL-W4L16187
 (x1) | 1 7/16"x4 7/16"x66 9/16" (36x112x1690)

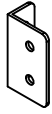
QTY.	PART NUMBER	DESCRIPTION
8	H100379	T-NUT 5/16 BLK
8	H100363	BOLT 5/16 X 6 BLK
8	H100198	WASHER LOCK EXT 8X19 BLK



STEP 3 - GAZEBO ASSEMBLY

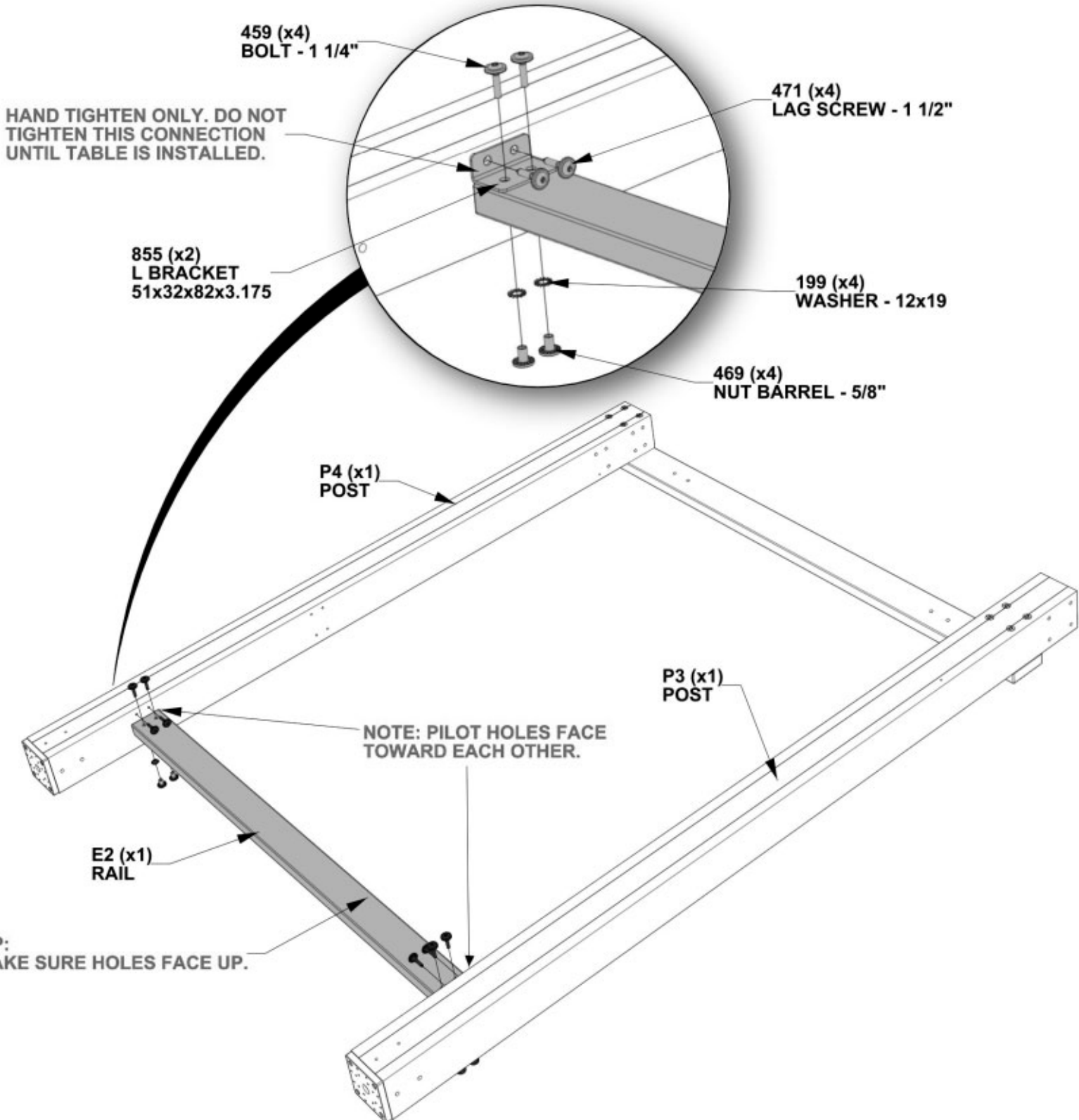


E2 | RAIL-W4L16193
(x1) | 1 7/16"x3 3/8"x55" (36x86x1394)



A4M00855 | L BRACKET
(x2) | 51x32x82x3.175

QTY.	PART NUMBER	DESCRIPTION
4	H100471	LAG SCREW WH 5/16 X 1 1/2 BLK
4	H100459	BOLT WH 5/16 X 1 1/4 BLK
4	H100199	WASHER LOCK EXT 12X19 BLK
4	H100469	NUT BARREL WH 5/16 X 5/8 BLK

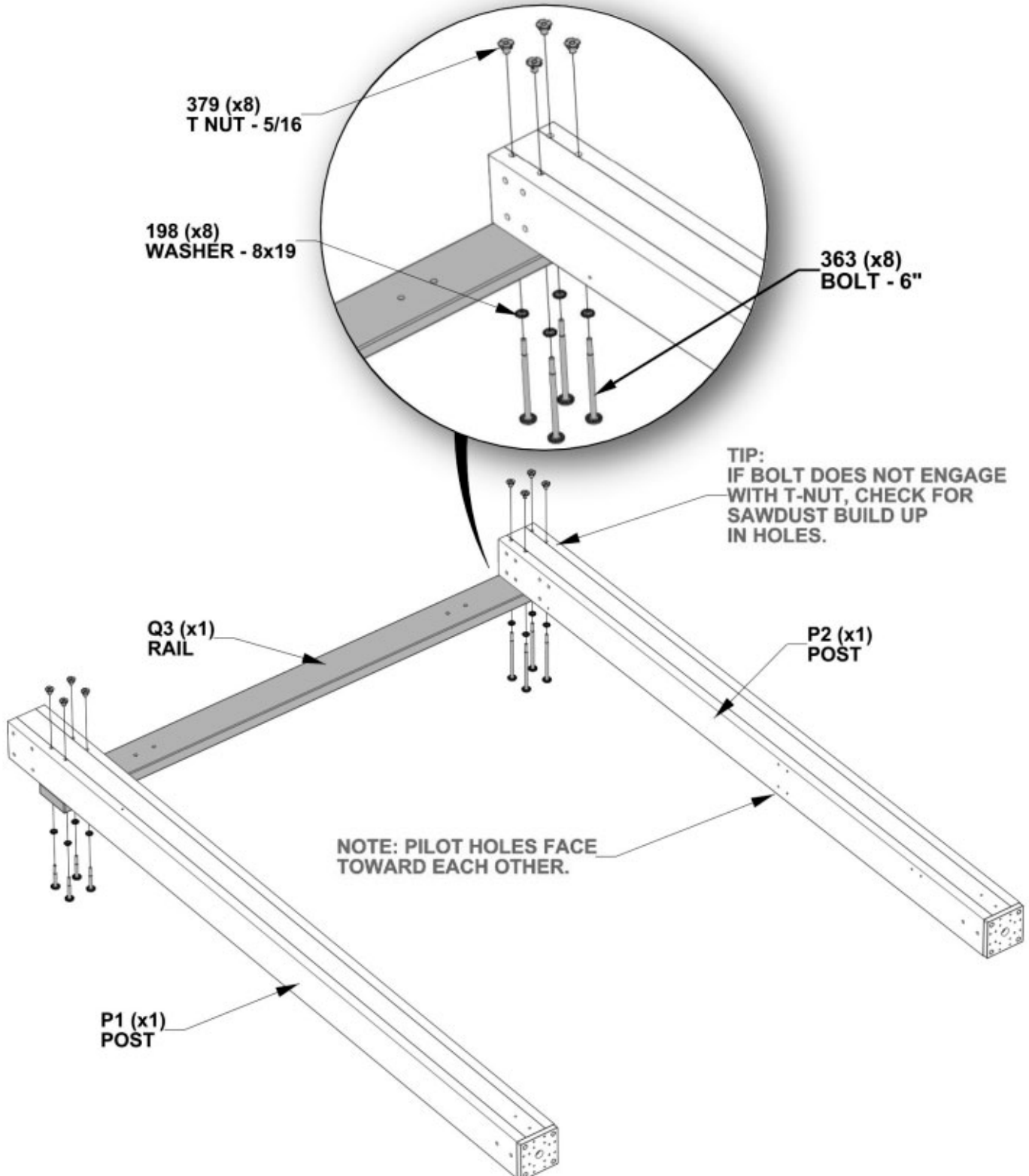


STEP 4 - GAZEBO ASSEMBLY

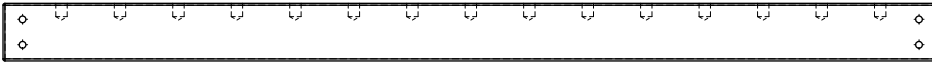


Q3 | RAIL-W4L16187
 (x1) | 1 7/16"x4 7/16"x66 9/16" (36x112x1690)

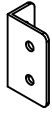
QTY.	PART NUMBER	DESCRIPTION
8	H100379	T-NUT 5/16 BLK
8	H100198	WASHER LOCK EXT 8X19 BLK
8	H100363	BOLT 5/16 X 6 BLK



STEP 5 - GAZEBO ASSEMBLY

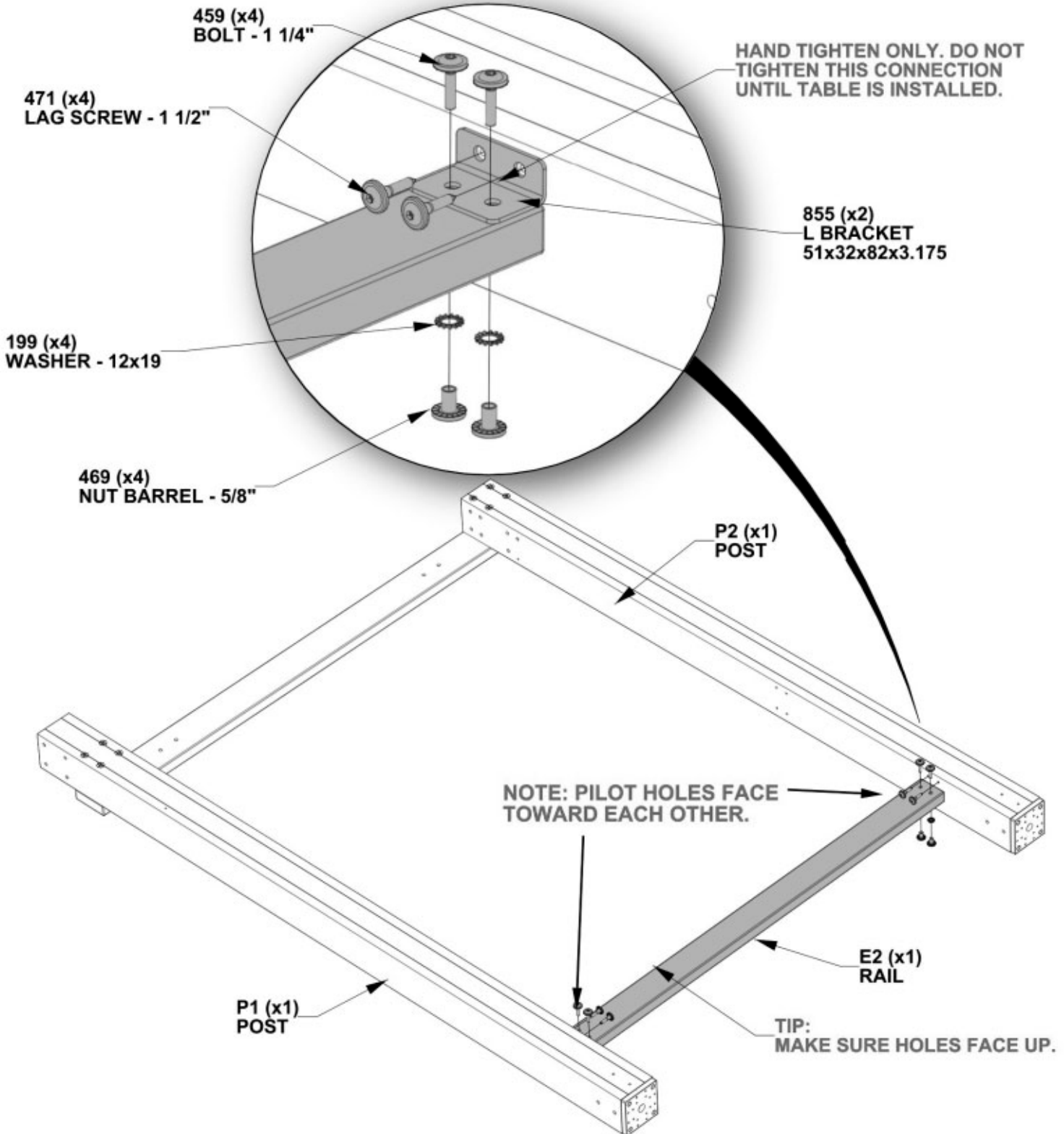


E2 | RAIL-W4L16193
(x1) | 1 7/16"x3 3/8"x55" (36x86x1394)



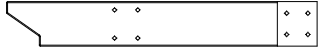
A4M00855 | L BRACKET
(x2) | 51x32x82x3.175

QTY.	PART NUMBER	DESCRIPTION
4	H100199	WASHER LOCK EXT 12X19 BLK
4	H100471	LAG SCREW WH 5/16 X 1 1/2 BLK
4	H100469	NUT BARREL WH 5/16 X 5/8 BLK
4	H100459	BOLT WH 5/16 X 1 1/4 BLK



STEP 6 - GAZEBO ASSEMBLY

QTY.	PART NUMBER	DESCRIPTION
8	H100379	T-NUT 5/16 BLK
8	H100195	BOLT WH 5/16 X 2 3/4 BLK
8	H100198	WASHER LOCK EXT 8X19 BLK



D1 | JOIST END-W4L16188
(x1) | 1 7/16"x5 1/4"x36 13/16" (36x134x910)



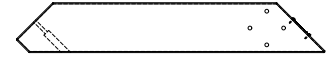
D3 | JOIST END-W4L16190
(x1) | 1 7/16"x5 1/4"x36 13/16" (36x134x910)



D4 | CORBEL-W4L16191
(x1) | 1 7/16"x5 1/4"x32 7/8" (36x134x830)

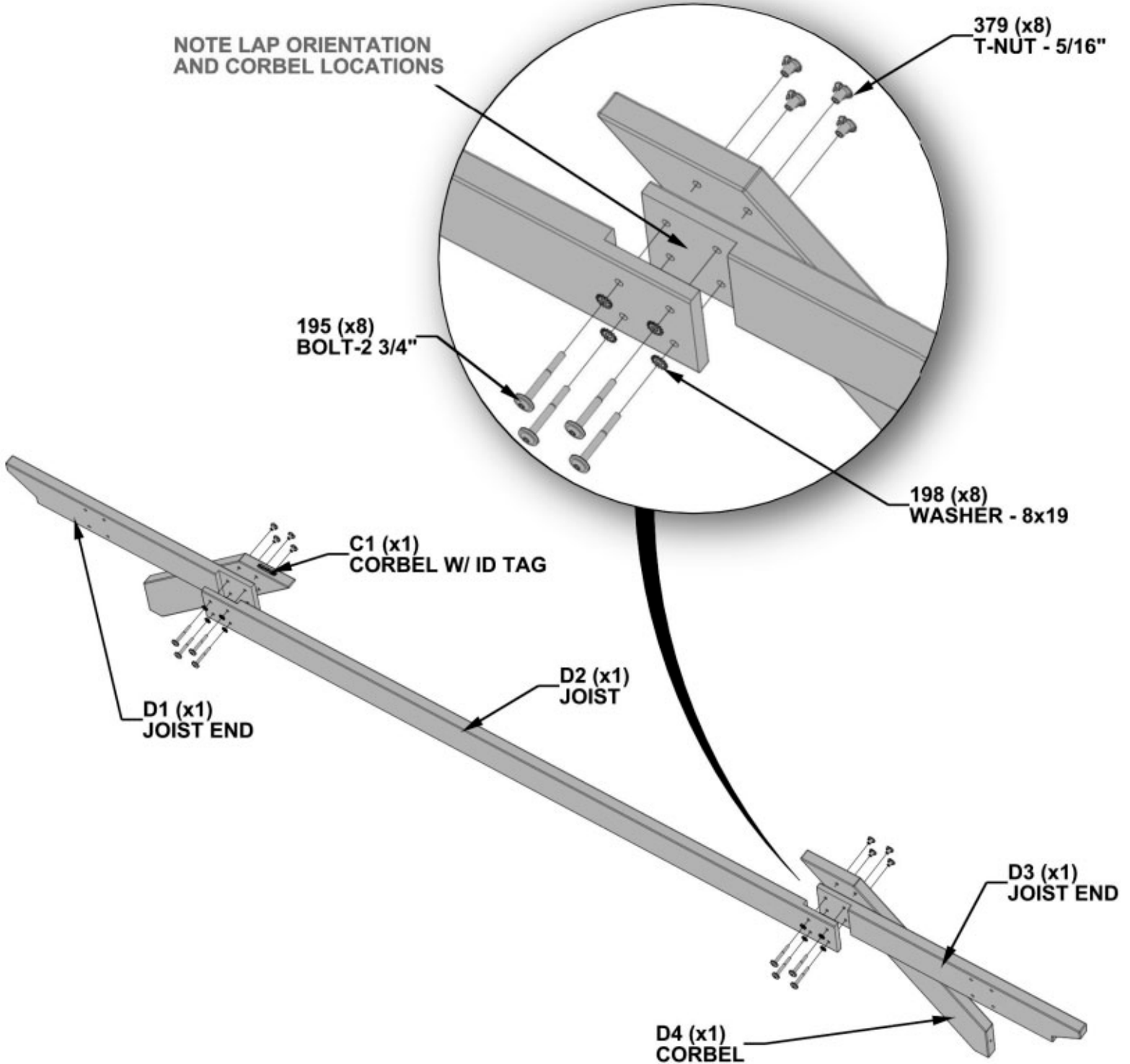


D2 | JOIST-W4L16189
(x1) | 1 7/16"x5 1/4"x89 3/16" (36x134x2266)



C1 | CORBEL W/ TAG-W2A03369
(x1) | 1 7/16"x5 1/4"x32 7/8" (36x134x830)

NOTE LAP ORIENTATION AND CORBEL LOCATIONS



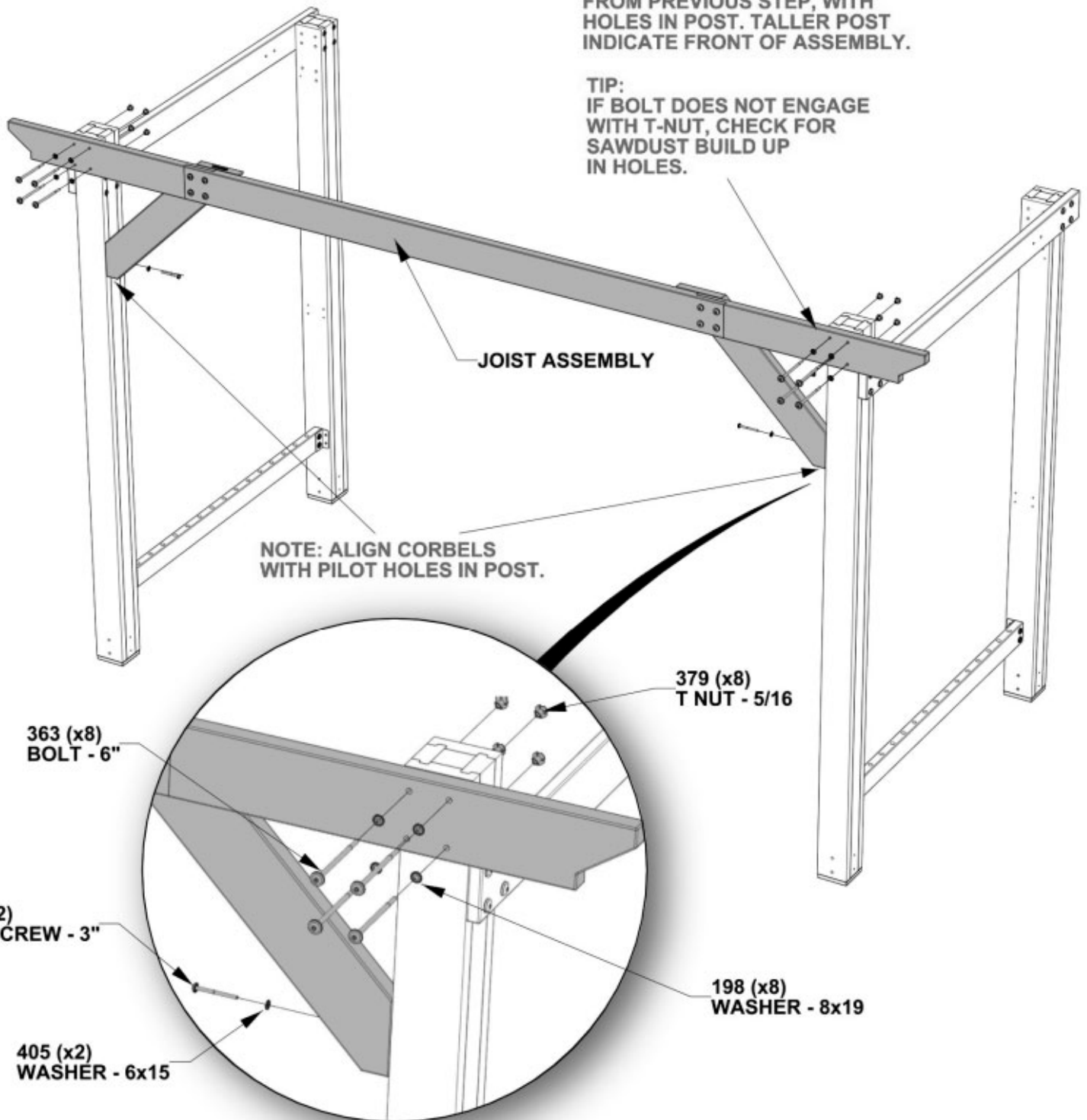
STEP 7 - GAZEBO ASSEMBLY



QTY.	PART NUMBER	DESCRIPTION
2	H100792	LAG SCREW WH 1/4 X 3 BLK
2	H100405	WASHER LOCK EXT 6X15 BLK
8	H100379	T-NUT 5/16 BLK
8	H100363	BOLT 5/16 X 6 BLK
8	H100198	WASHER LOCK EXT 8X19 BLK

NOTE: ALIGN JOIST ASSEMBLY FROM PREVIOUS STEP, WITH HOLES IN POST. TALLER POST INDICATE FRONT OF ASSEMBLY.

TIP: IF BOLT DOES NOT ENGAGE WITH T-NUT, CHECK FOR SAWDUST BUILD UP IN HOLES.



JOIST ASSEMBLY

NOTE: ALIGN CORBELS WITH PILOT HOLES IN POST.

**379 (x8)
T NUT - 5/16**

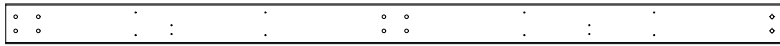
**363 (x8)
BOLT - 6"**

**198 (x8)
WASHER - 8x19**

**792 (x2)
LAG SCREW - 3"**

**405 (x2)
WASHER - 6x15**

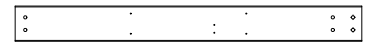
STEP 8 - GAZEBO ASSEMBLY



Q8 | RAIL-W4L16205
 (x1) | 15/16"x4 7/16"x86 7/16" (24x112x2196)



Q1 | RAIL-W4L16185
 (x1) | 15/16"x4 7/16"x86 7/16" (24x112x2196)



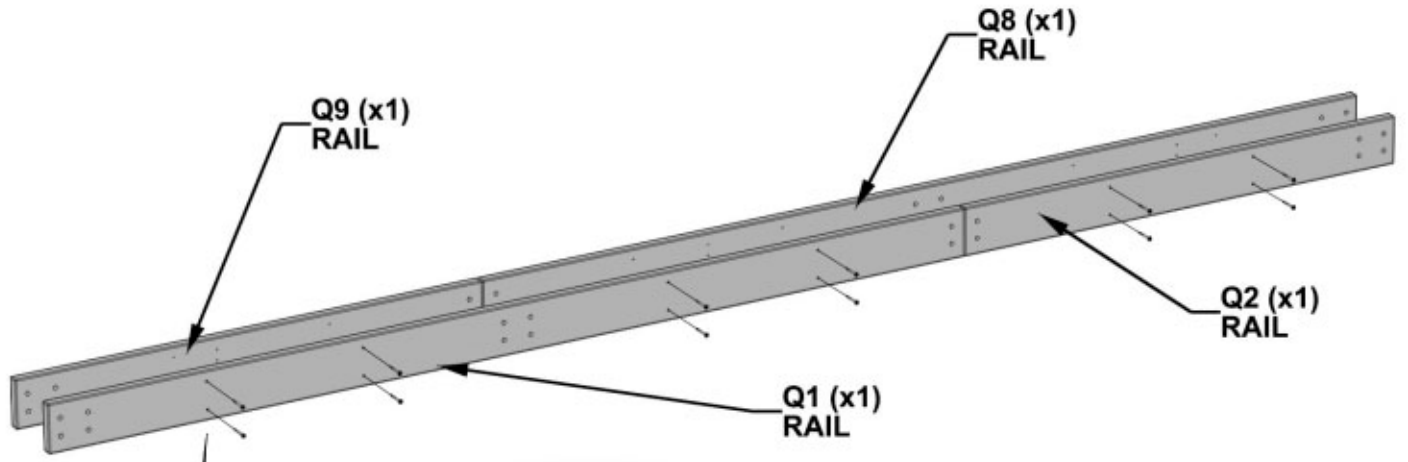
Q9 | RAIL-W4L16206
 (x1) | 15/16"x4 7/16"x43 5/16" (24x112x1100)



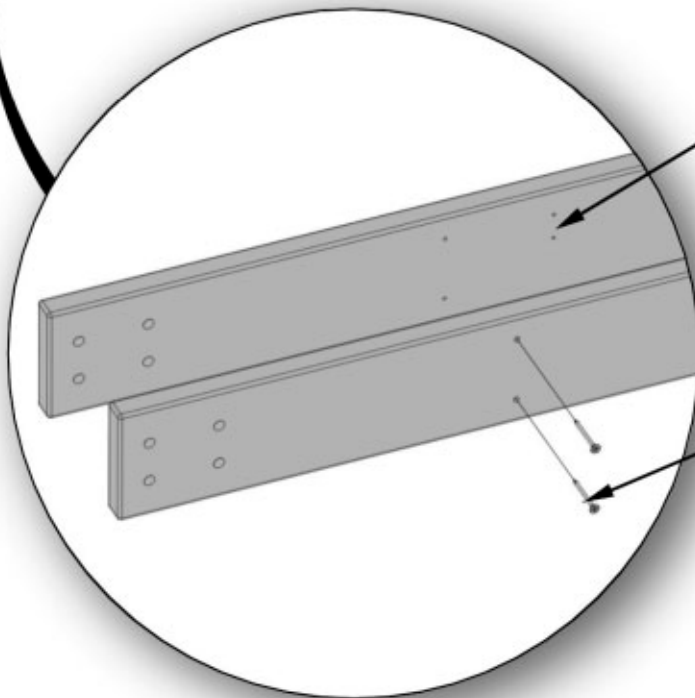
Q2 | RAIL-W4L16186
 (x1) | 15/16"x4 7/16"x43 5/16" (24x112x1100)

QTY.	PART NUMBER	DESCRIPTION
12	H100382	SCREW PFH 8 X 1 3/4 BLK

ALIGN Q1 & Q2 WITH PILOT HOLES IN Q9 & Q8.
 ALL EDGES SHOULD BE FLUSH.

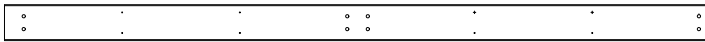


NOTE:
 TWO PILOT HOLES ON Q9 & Q8
 CLOSEST TO TOP OF BOARDS



382 (x12)
SCREW - 1 3/4"

STEP 9 - GAZEBO ASSEMBLY



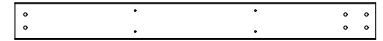
Q4 | RAIL-W4L16200
 (x1) | 15/16"x4 7/16"x86 7/16" (24x112x2196)



Q1 | RAIL-W4L16185
 (x1) | 15/16"x4 7/16"x86 7/16" (24x112x2196)



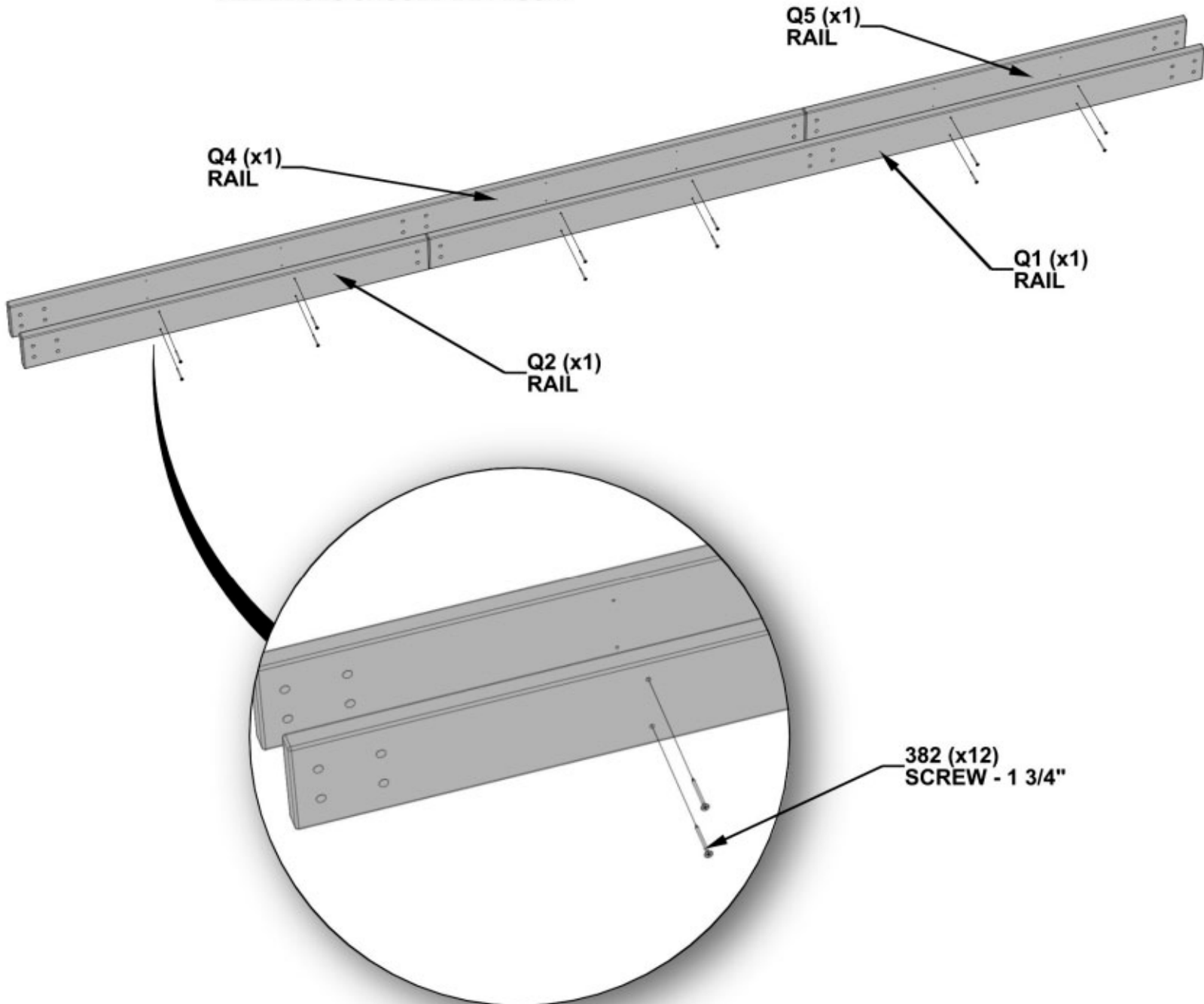
Q5 | RAIL-W4L16201
 (x1) | 15/16"x4 7/16"x43 5/16" (24x112x1100)



Q2 | RAIL-W4L16186
 (x1) | 15/16"x4 7/16"x43 5/16" (24x112x1100)

QTY.	PART NUMBER	DESCRIPTION
12	H100382	SCREW PFH 8 X 1 3/4 BLK

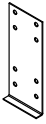
ALIGN Q1 & Q2 WITH PILOT HOLES IN Q4 & Q5.
 ALL EDGES SHOULD BE FLUSH.



STEP 10 - GAZEBO ASSEMBLY



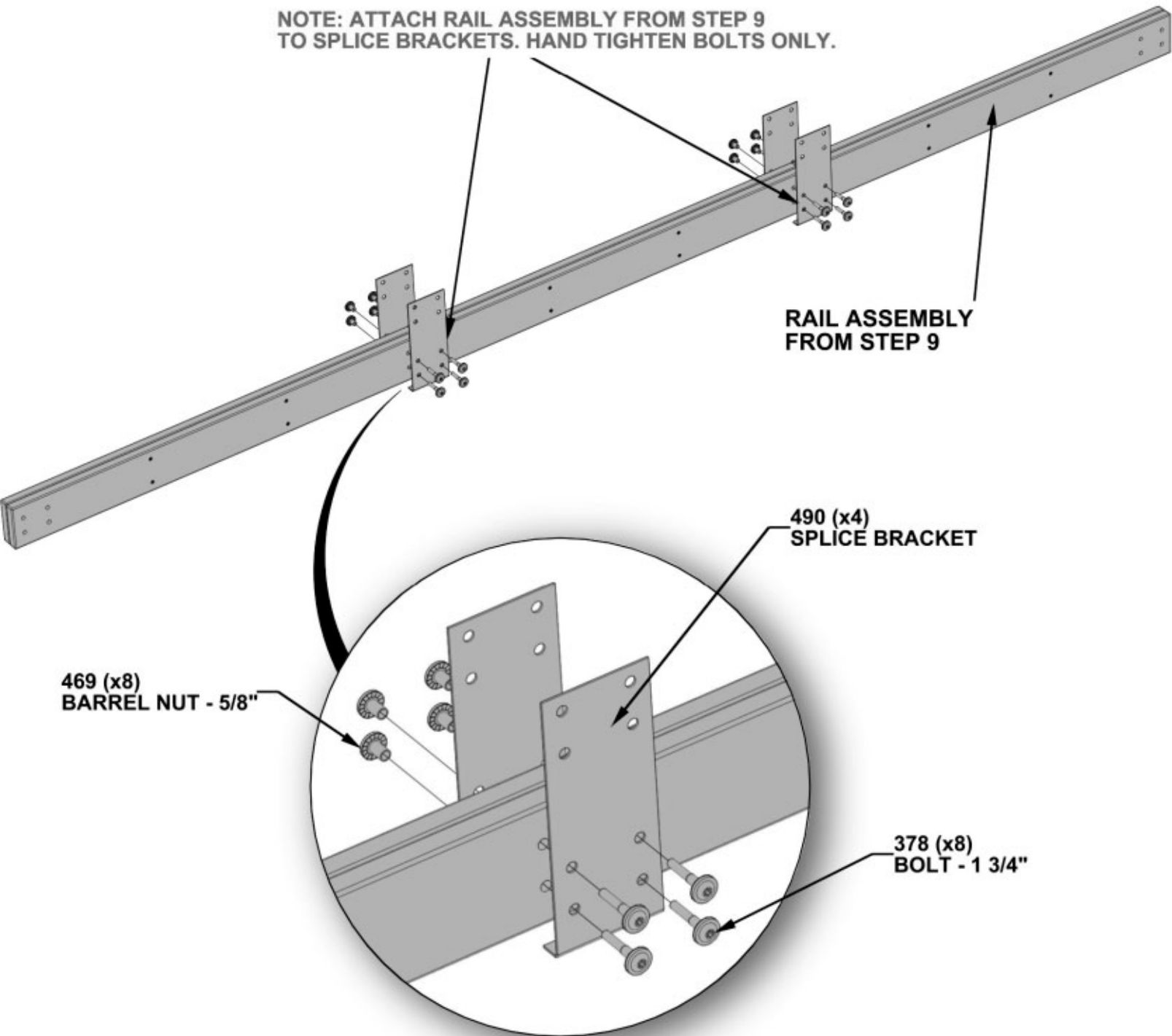
RAIL ASSEMBLY - STEP 9



A4M01490
(x4) | **SPLICE BRACKET**

QTY.	PART NUMBER	DESCRIPTION
8	H100469	NUT BARREL WH 5/16 X 5/8 BLK
8	H100378	BOLT WH 5/16 X 1 3/4 BLK

NOTE: ATTACH RAIL ASSEMBLY FROM STEP 9 TO SPLICE BRACKETS. HAND TIGHTEN BOLTS ONLY.

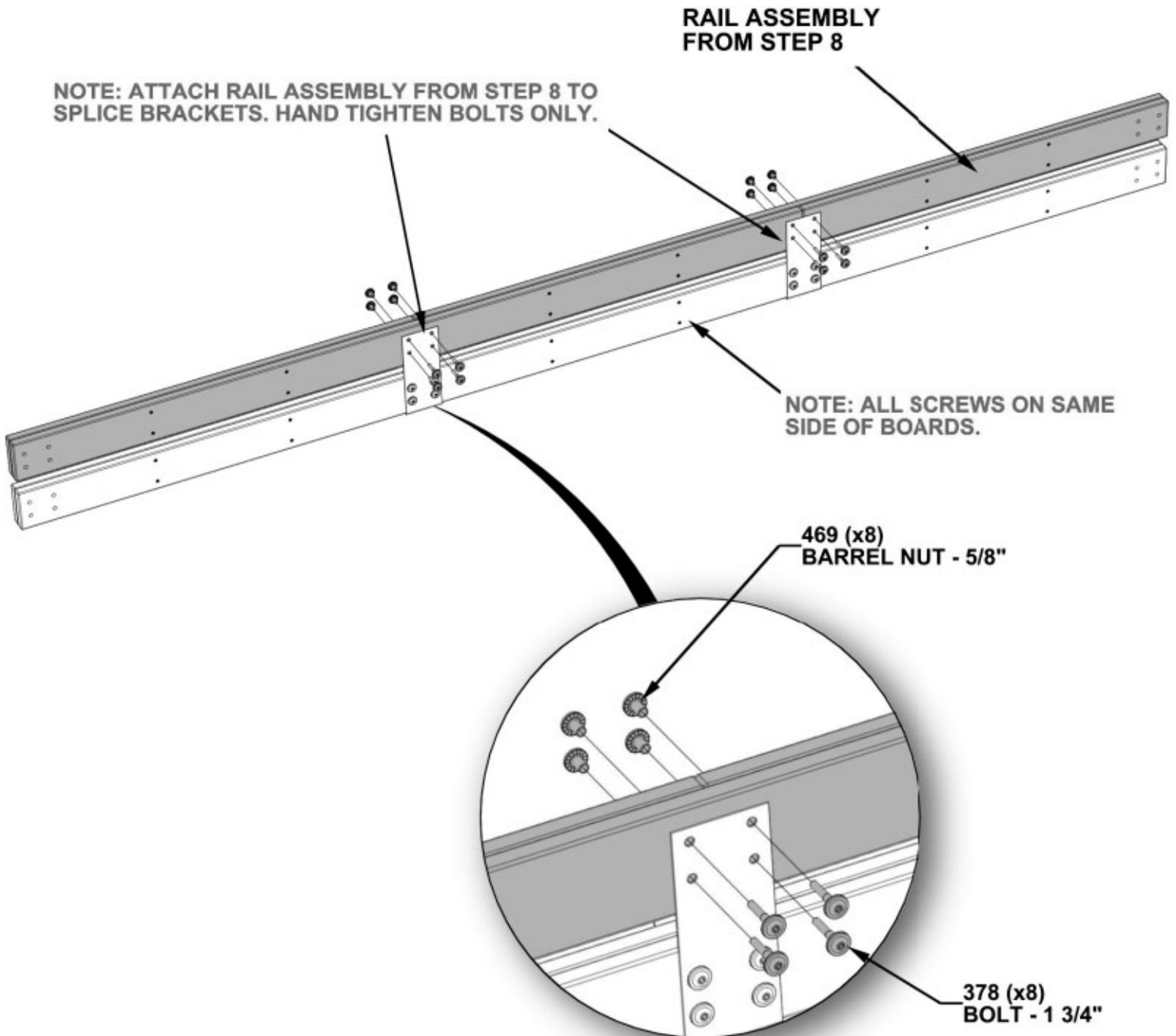


STEP 11 - GAZEBO ASSEMBLY

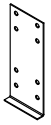


RAIL ASSEMBLY - STEP 8

QTY.	PART NUMBER	DESCRIPTION
8	H100469	NUT BARREL WH 5/16 X 5/8 BLK
8	H100378	BOLT WH 5/16 X 1 3/4 BLK

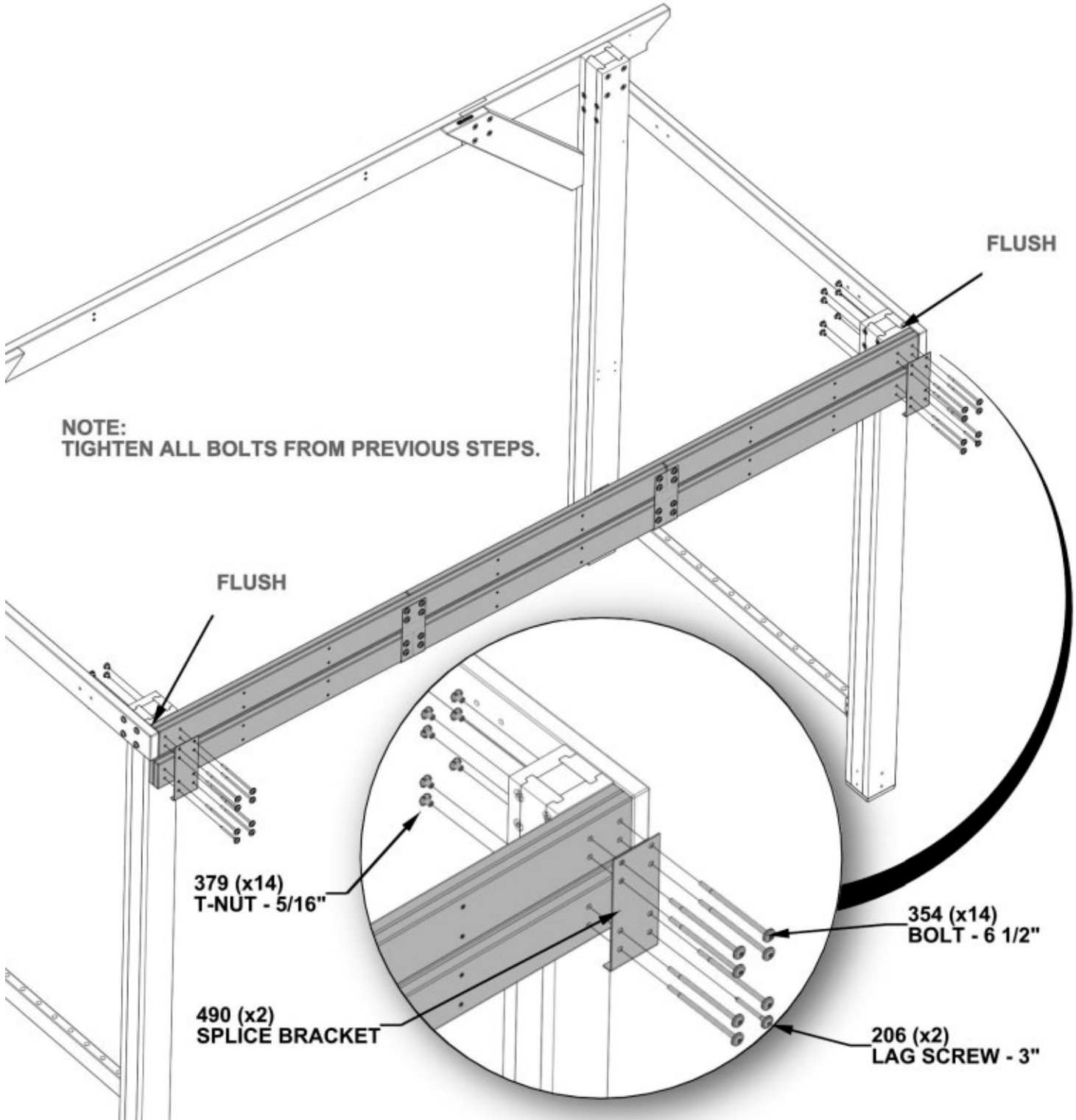


STEP 12 - GAZEBO ASSEMBLY



A4M01490
(x2) | SPLICE BRACKET

QTY.	PART NUMBER	DESCRIPTION
2	H100206	LAG SCREW WH 5/16 X 3 BLK
14	H100379	T-NUT 5/16 BLK
14	H100354	BOLT WH 5/16 X 6 1/2 BLK

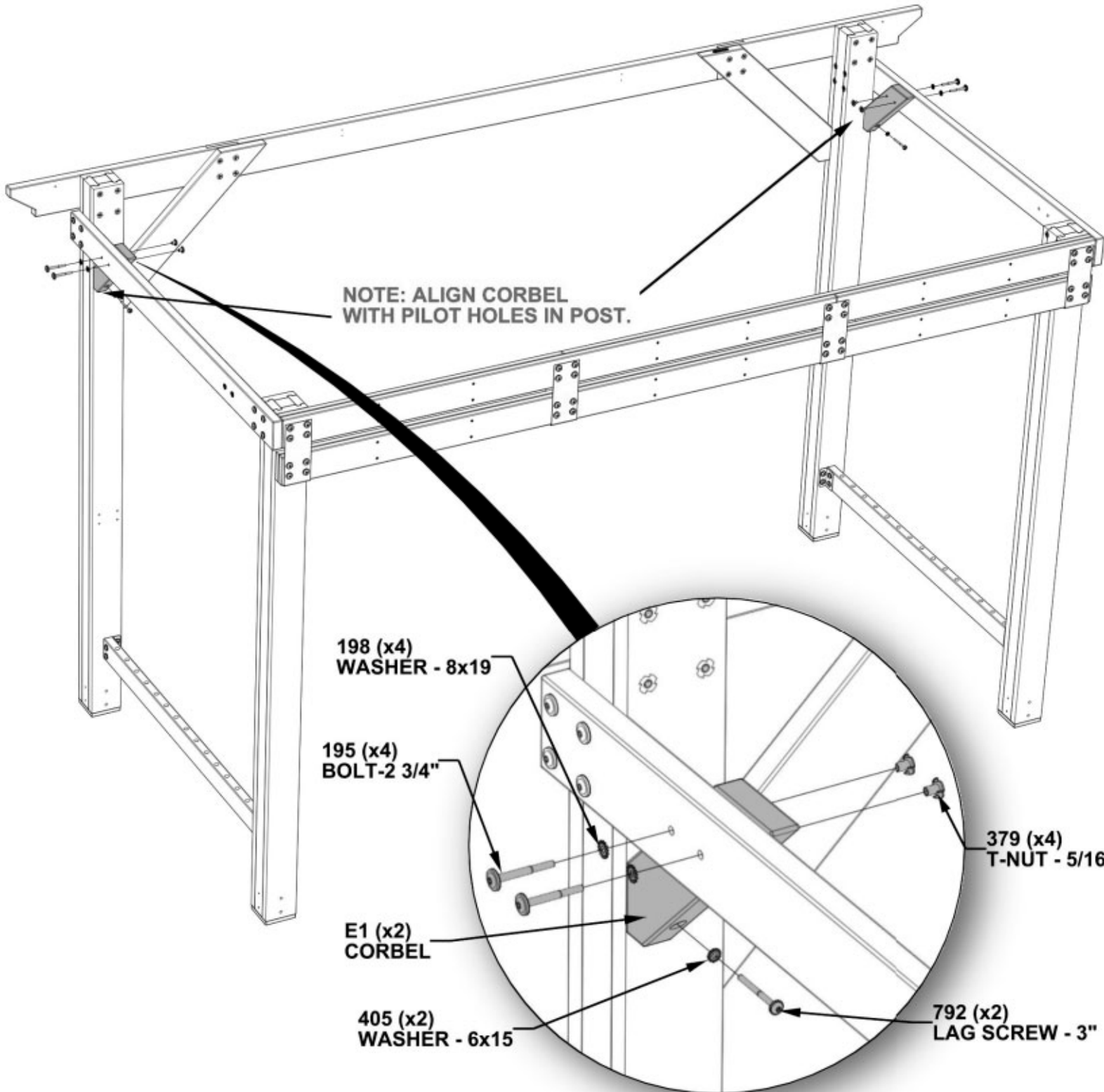


STEP 13 - GAZEBO ASSEMBLY



E1 | CORBEL-W4L16'192
 (x2) | 1 7/16"x3 3/8"x15 3/4" (36x86x394)

QTY.	PART NUMBER	DESCRIPTION
2	H100792	LAG SCREW WH 1/4 X 3 BLK
2	H100405	WASHER LOCK EXT 6X15 BLK
4	H100379	T-NUT 5/16 BLK
4	H100195	BOLT WH 5/16 X 2 3/4 BLK
4	H100198	WASHER LOCK EXT 8X19 BLK



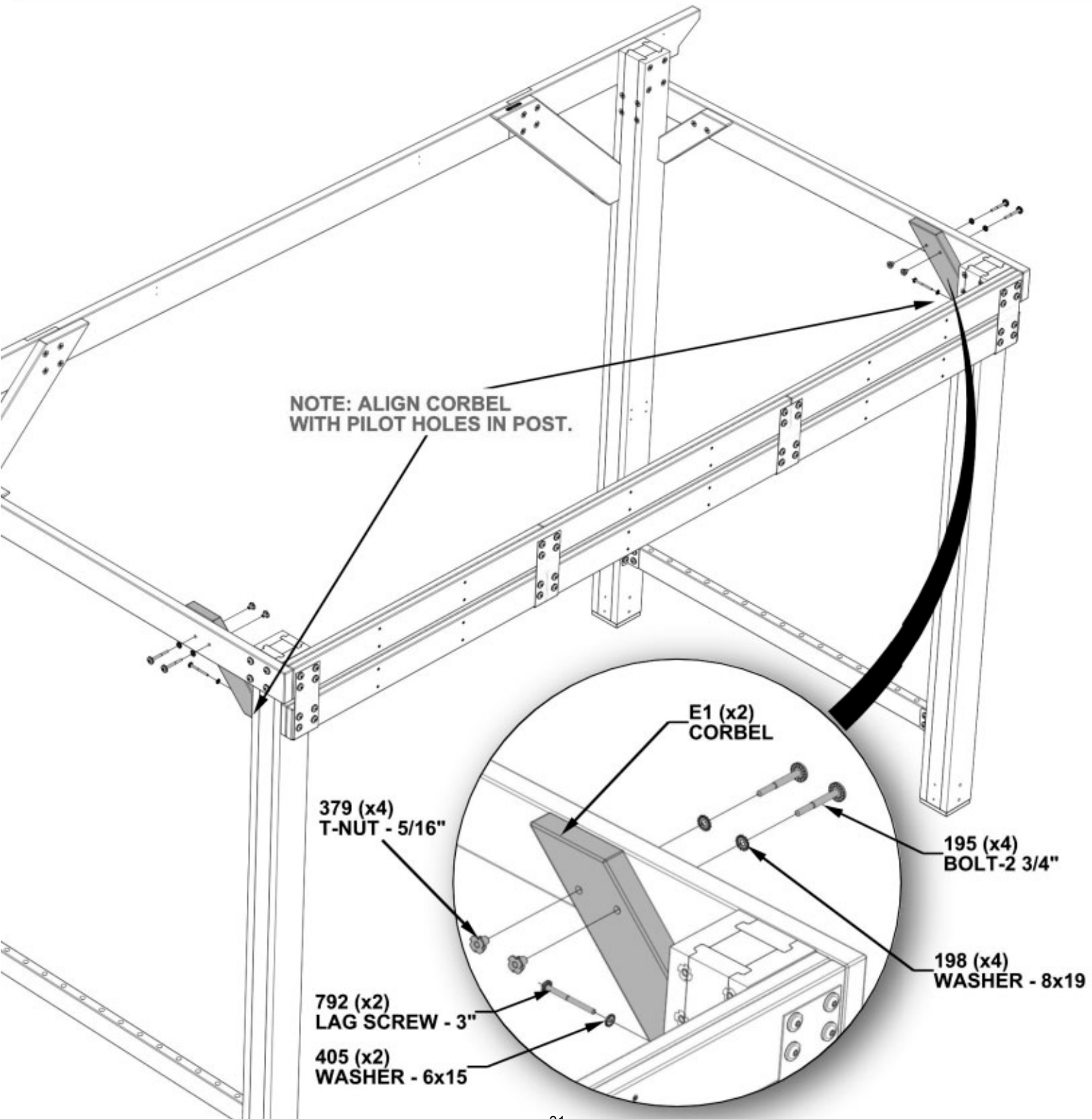
STEP 14 - GAZEBO ASSEMBLY



E1 | CORBEL-W4L16192
 (x2) | 1 7/16"x3 3/8"x15 3/4" (36x86x394)

QTY.	PART NUMBER	DESCRIPTION
2	H100792	LAG SCREW WH 1/4 X 3 BLK
2	H100405	WASHER LOCK EXT 6X15 BLK
4	H100379	T-NUT 5/16 BLK
4	H100195	BOLT WH 5/16 X 2 3/4 BLK
4	H100198	WASHER LOCK EXT 8X19 BLK

NOTE: ALIGN CORBEL WITH PILOT HOLES IN POST.

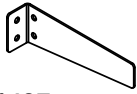


STEP 15 - GAZEBO ASSEMBLY

QTY.	PART NUMBER	DESCRIPTION
8	H100469	NUT BARREL WH 5/16 X 5/8 BLK
8	H100459	BOLT WH 5/16 X 1 1/4 BLK



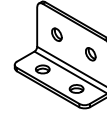
E2 | RAIL-W4L16193
(x2) | 1 7/16"x3 3/8"x55" (36x86x1394)



A4M01487
(x2) | L BRACKET

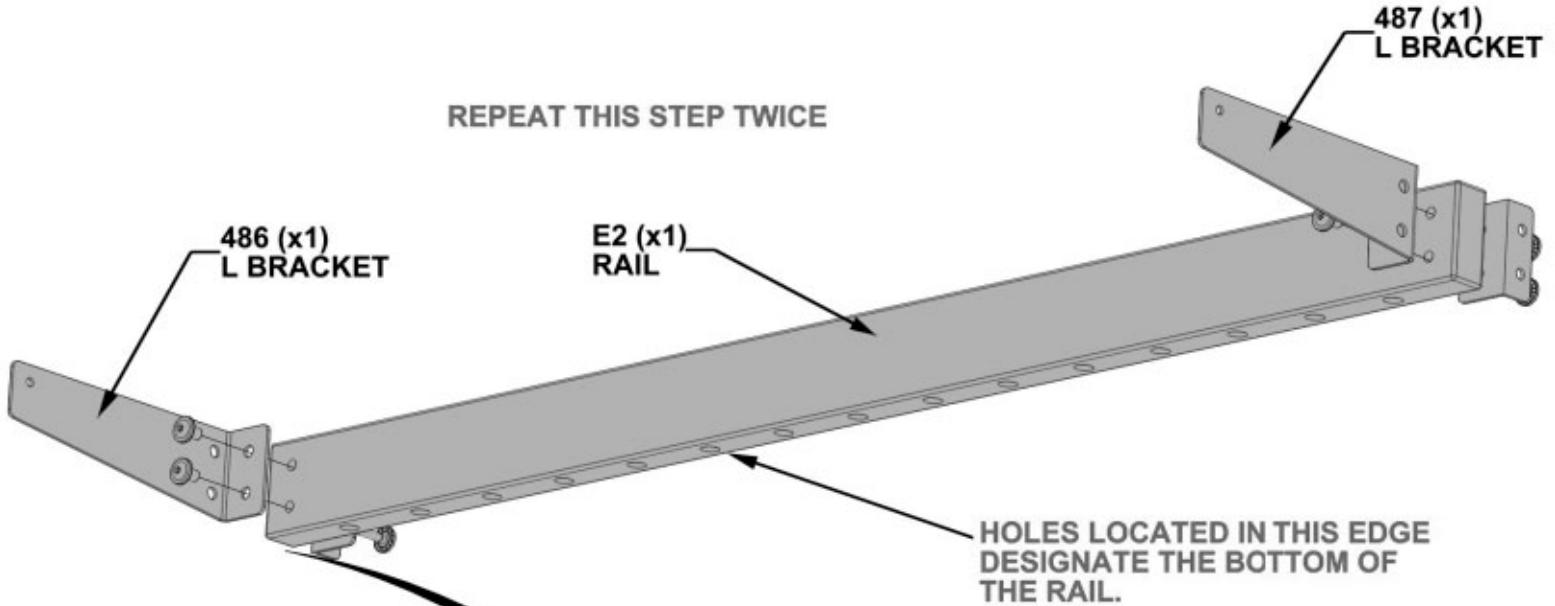


A4M01486
(x2) | L BRACKET



A4M00855
(x4) | L BRACKET 51x32x82x3.175

REPEAT THIS STEP TWICE



NOTE:
FLAT SIDE OF L BRACKET UP.

459 (x4) BOLT - 1 1/4"

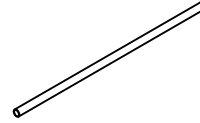
855 (x2) L BRACKET 51x32x82x3.175

469 (x4) BARREL NUT - 5/8"

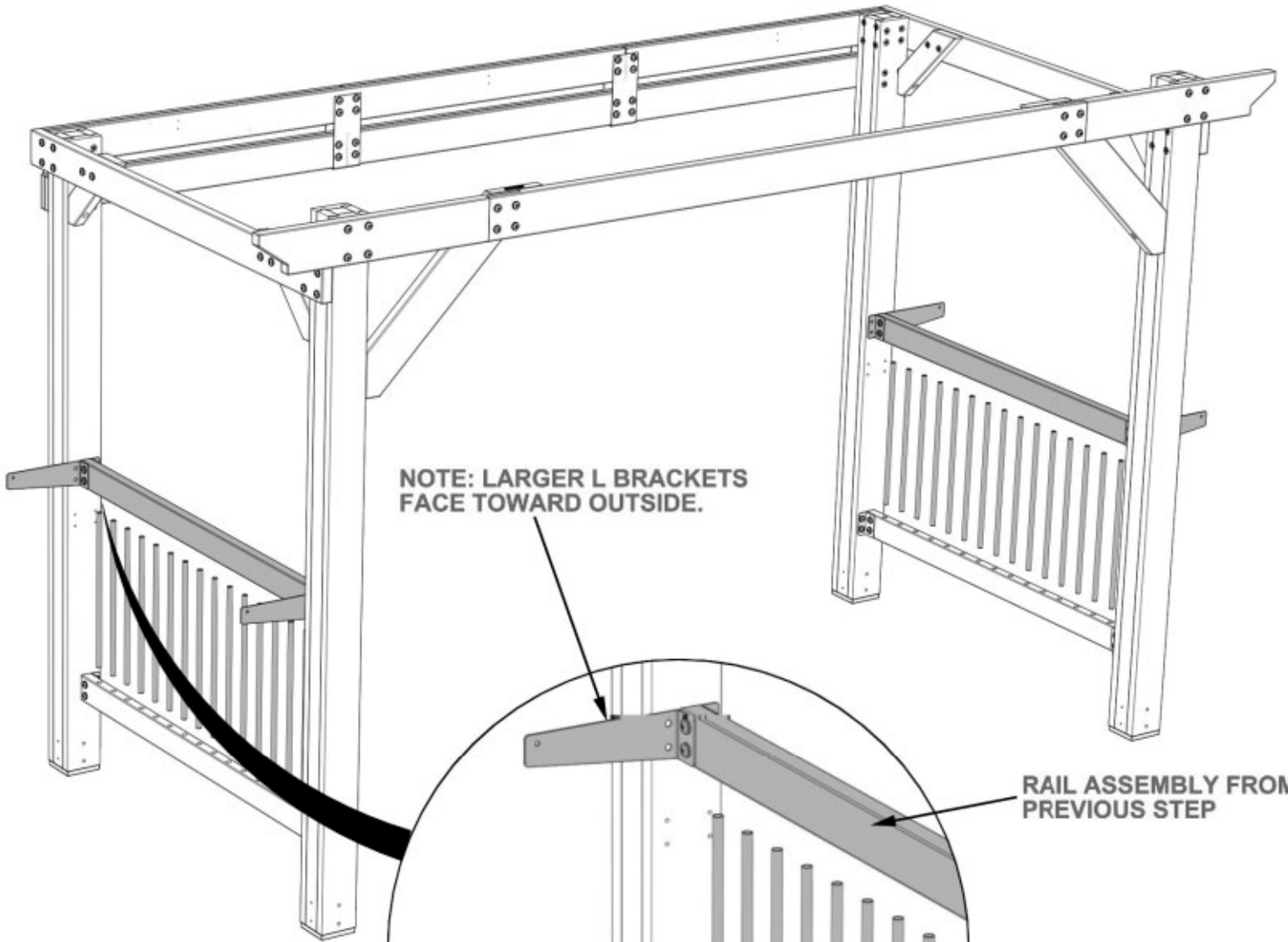
STEP 16 - GAZEBO ASSEMBLY



(2) | RAIL ASSEMBLY



A4M01225
(x30) | METAL TUBE



NOTE: LARGER L BRACKETS
FACE TOWARD OUTSIDE.

RAIL ASSEMBLY FROM
PREVIOUS STEP

225 (x30)
METAL TUBE

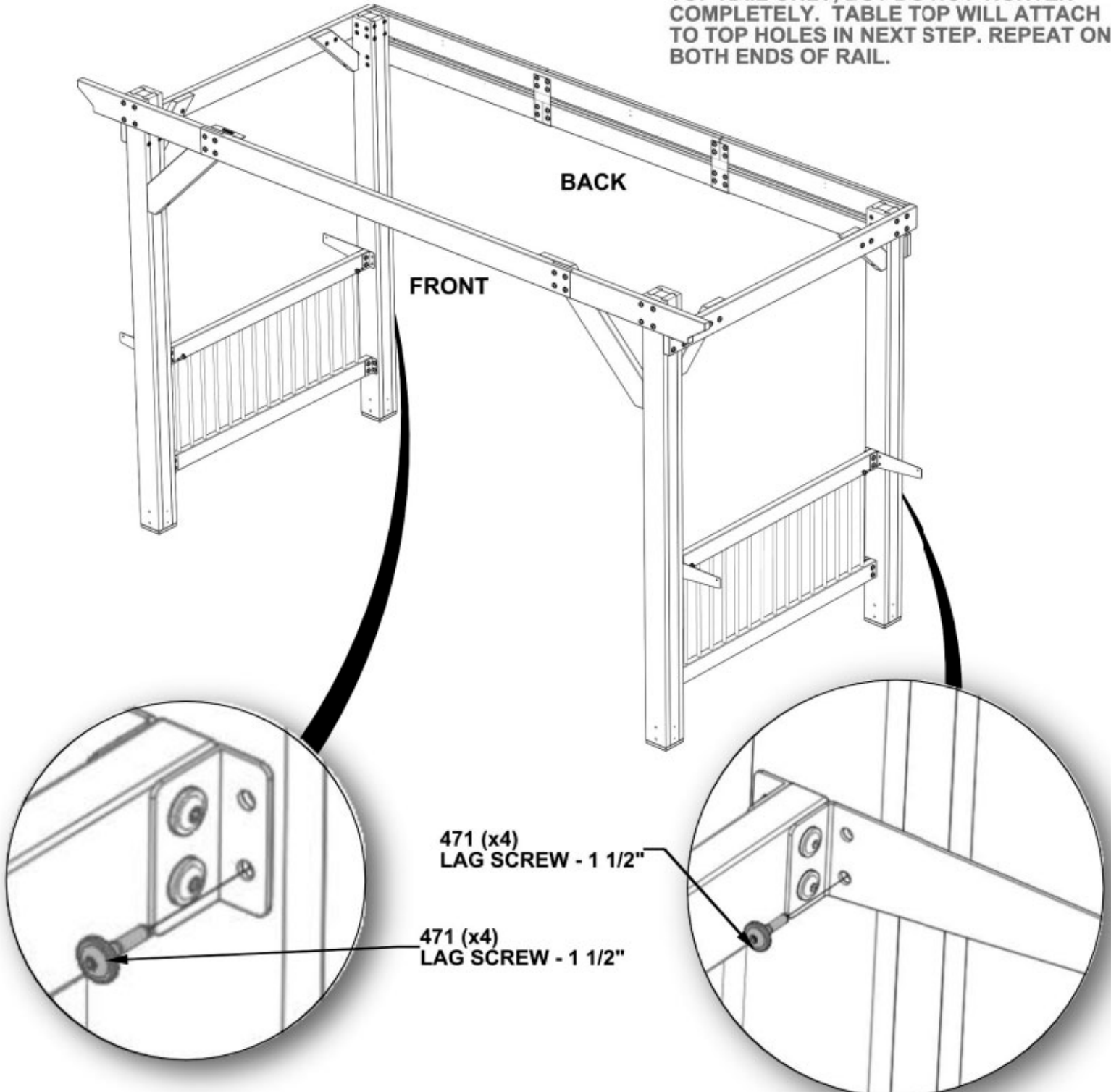
PLACE RODS INTO BOTTOM
BOARD ON UPRIGHT. PLACE RAIL
ASSEMBLY ON TOP. SECURE
BETWEEN BOARDS.

STEP 17 - GAZEBO ASSEMBLY

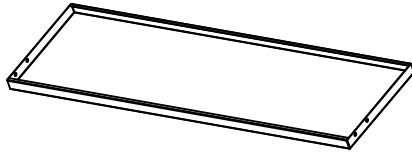
QTY.	PART NUMBER	DESCRIPTION
8	H100471	LAG SCREW WH 5/16 X 1 1/2 BLK

REPEAT THIS STEP FOR OPPOSITE SIDE

ATTACH BOTTOM TWO SCREWS ON TOP RAIL ONLY, BUT DO NOT TIGHTEN COMPLETELY. TABLE TOP WILL ATTACH TO TOP HOLES IN NEXT STEP. REPEAT ON BOTH ENDS OF RAIL.



STEP 18 - GAZEBO ASSEMBLY

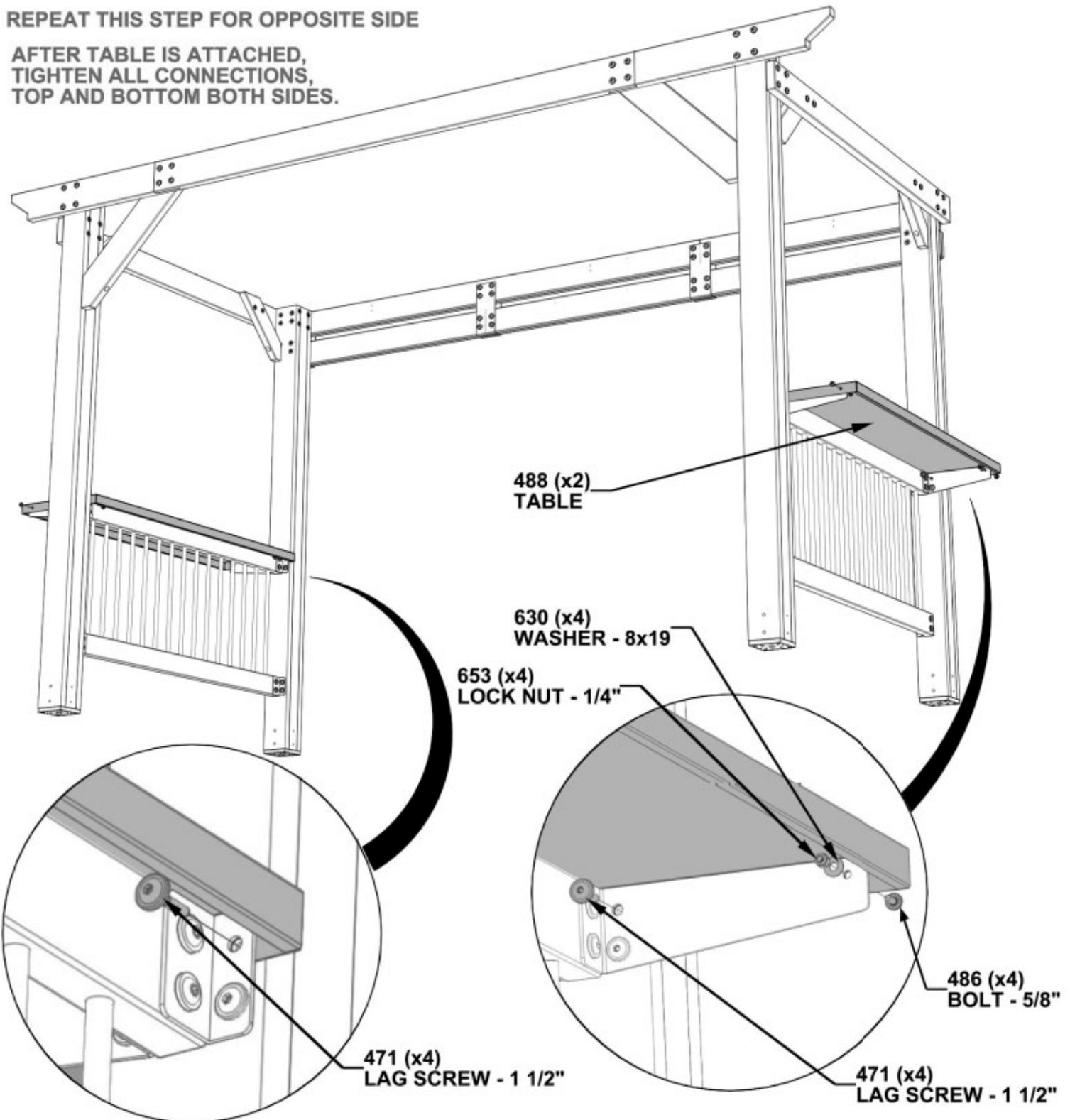


A4M01488 | TABLE
(x2)

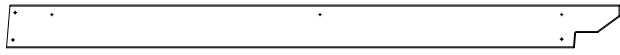
QTY.	PART NUMBER	DESCRIPTION
4	H100653	NUT LOCK 1/4 BLK
4	H100486	BOLT WH 1/4 X 5/8
4	H100630	WASHER FLAT 8x19 BLK
8	H100471	LAG SCREW WH 5/16 X 1 1/2 BLK

REPEAT THIS STEP FOR OPPOSITE SIDE

AFTER TABLE IS ATTACHED,
TIGHTEN ALL CONNECTIONS,
TOP AND BOTTOM BOTH SIDES.

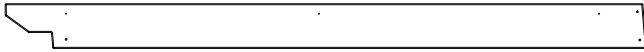


STEP 19 - GAZEBO ASSEMBLY

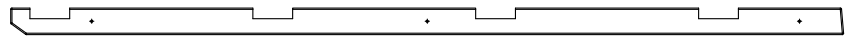


D7 | BEAM-W4L16202
(x1) | 1 7/16"x5 1/4"x75 13/16" (36x134x1926)

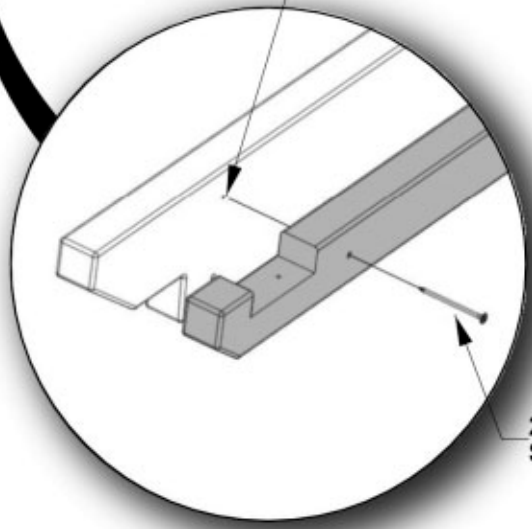
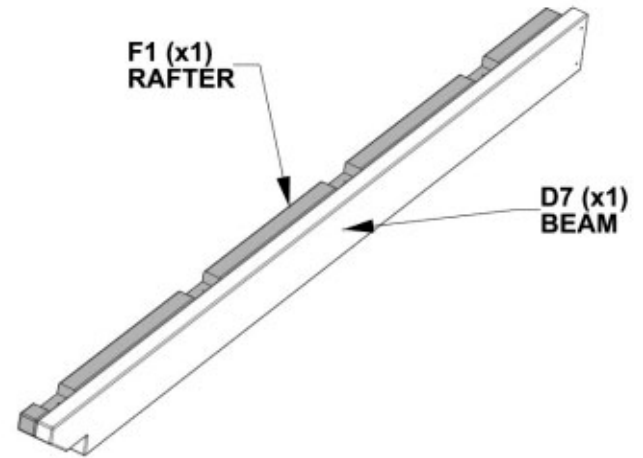
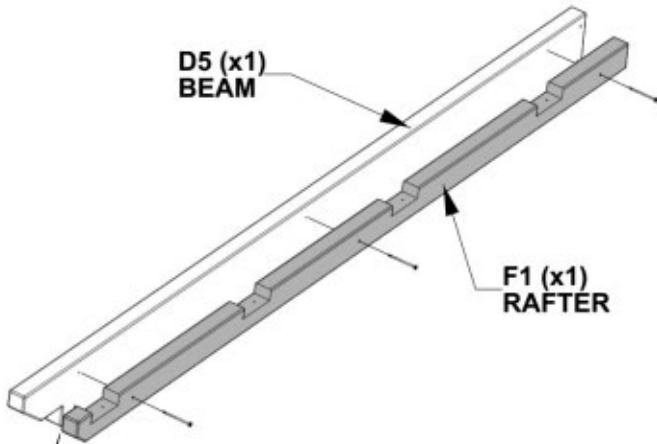
QTY.	PART NUMBER	DESCRIPTION
6	H100201	SCREW PFH 8 X 2 1/2 BLK



D5 | BEAM-W4L16195
(x1) | 1 7/16"x5 1/4"x75 13/16" (36x134x1926)

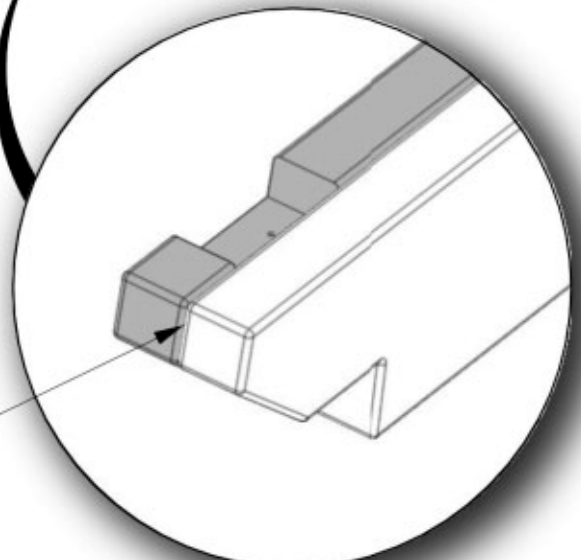


F1 | RAFTER-W4L16197
(x2) | 1 7/16"x2 3/8"x74 3/16" (36x60x1884)



ALIGN RAFTER WITH PILOT HOLES ON BEAM.

201 (x6)
SCREW - 2 1/2"



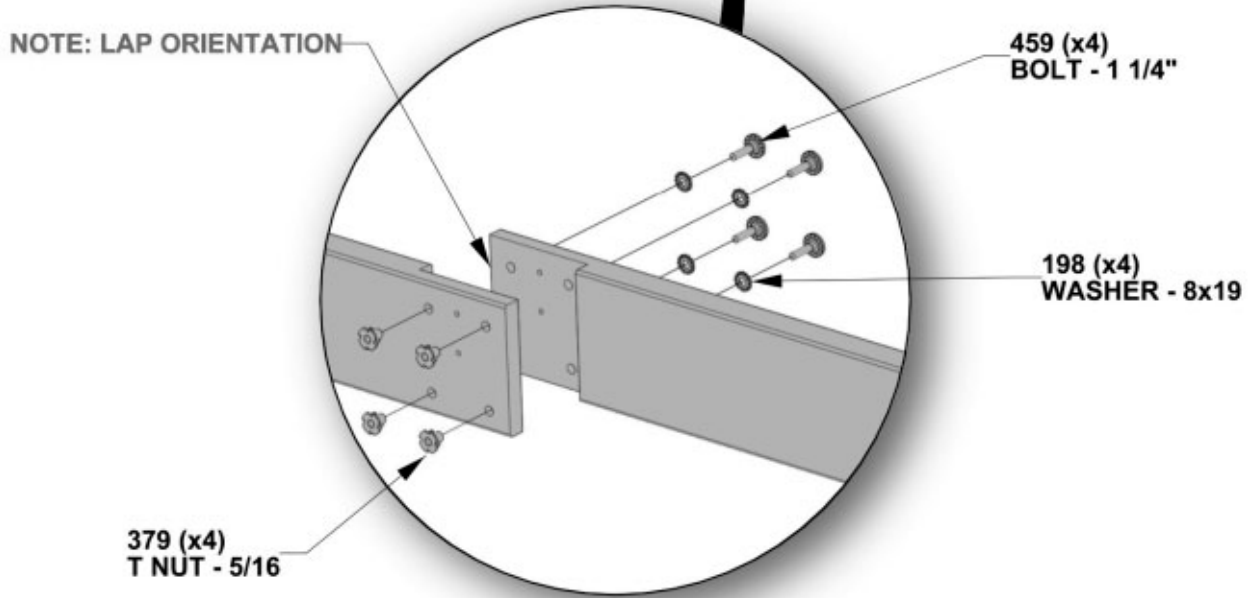
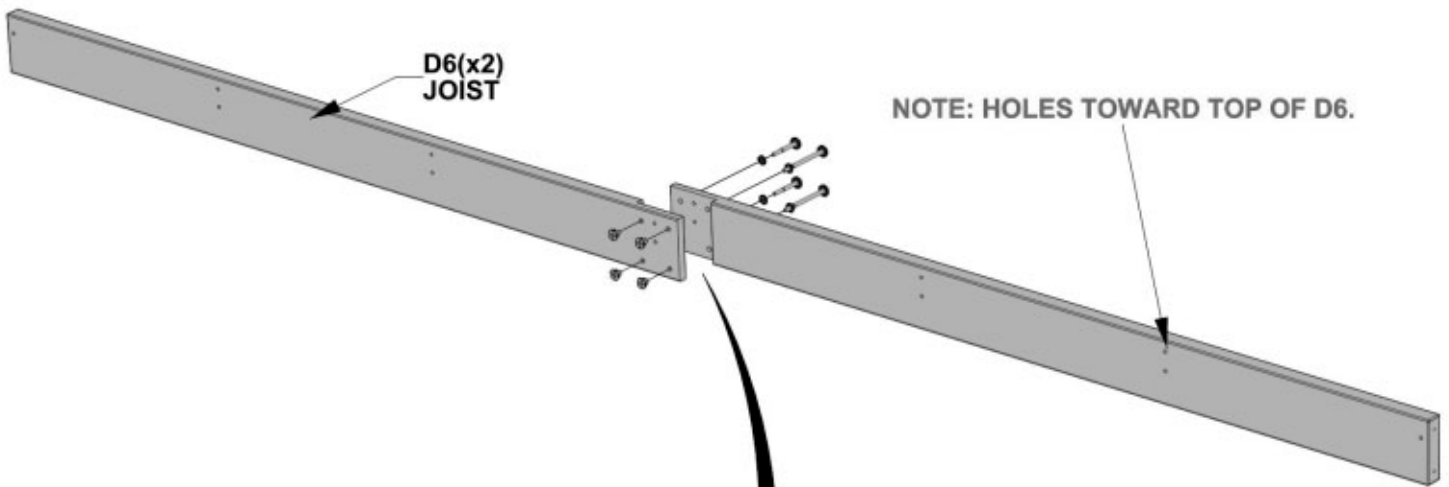
FRONT AND TOP EDGE OF BEAM & RAFTER TO BE FLUSH

STEP 20 - GAZEBO ASSEMBLY



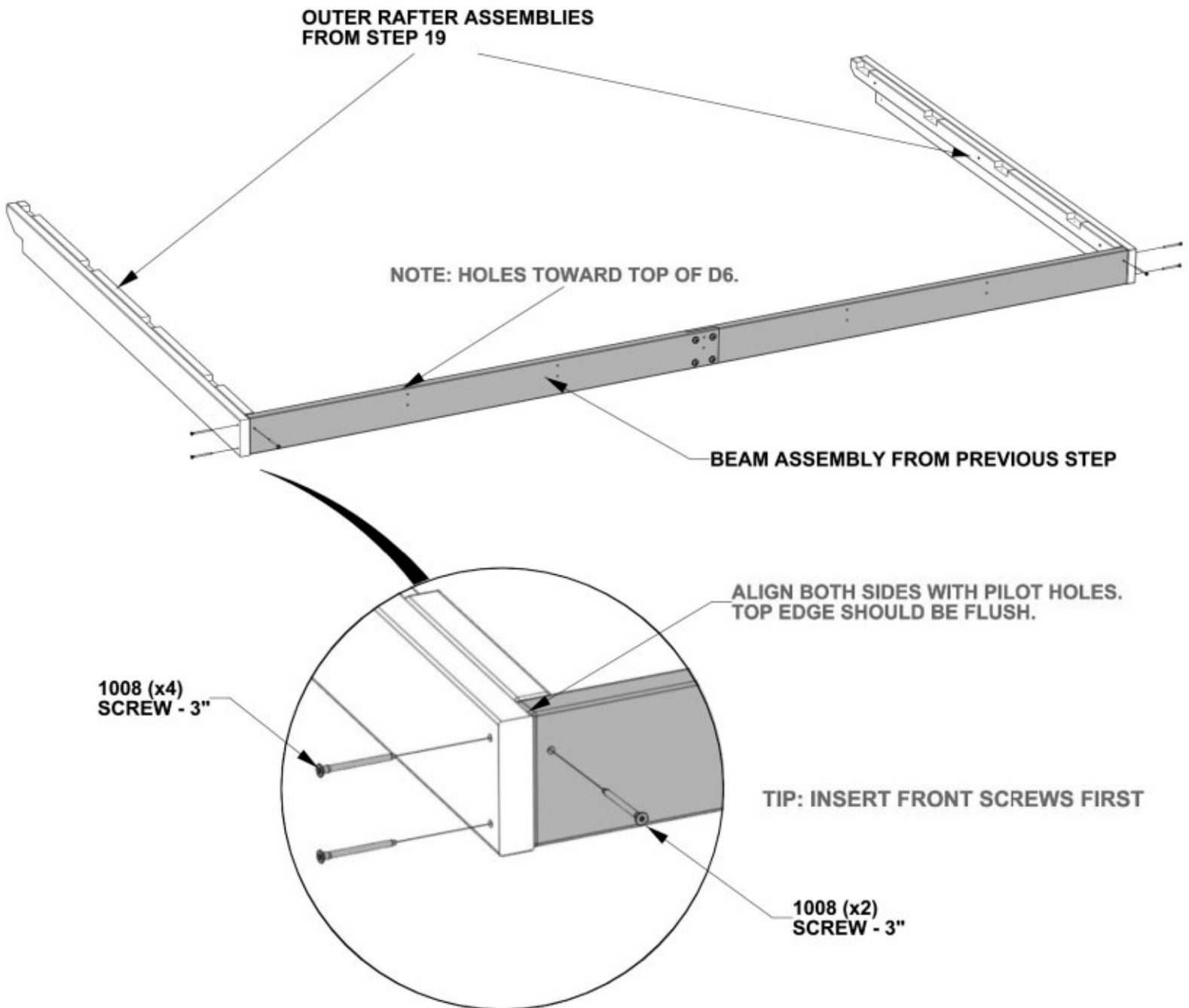
D6 | JOIST-W4L16196
 (x2) | 1 7/16"x5 1/4"x72 3/4" (36x134x1848)

QTY.	PART NUMBER	DESCRIPTION
4	H100379	T-NUT 5/16 BLK
4	H100459	BOLT WH 5/16 X 1 1/4 BLK
4	H100198	WASHER LOCK EXT 8X19 BLK



STEP 21 - GAZEBO ASSEMBLY

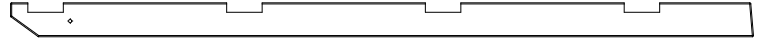
QTY.	PART NUMBER	DESCRIPTION
6	H101008	SCREW CONFIRMAT 7 X 3 BLK



STEP 22 - GAZEBO ASSEMBLY



E3 | RAFTER-W4L16194
(x3) | 1 7/16"x3 3/8"x74 3/16" (36x86x1884)

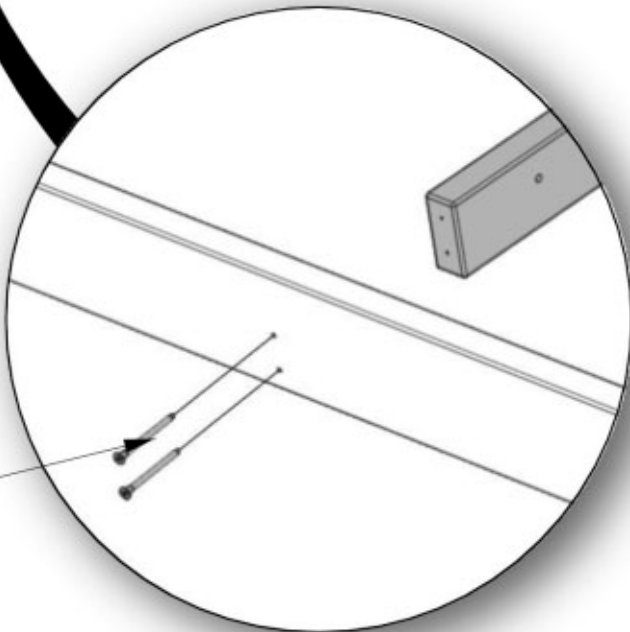
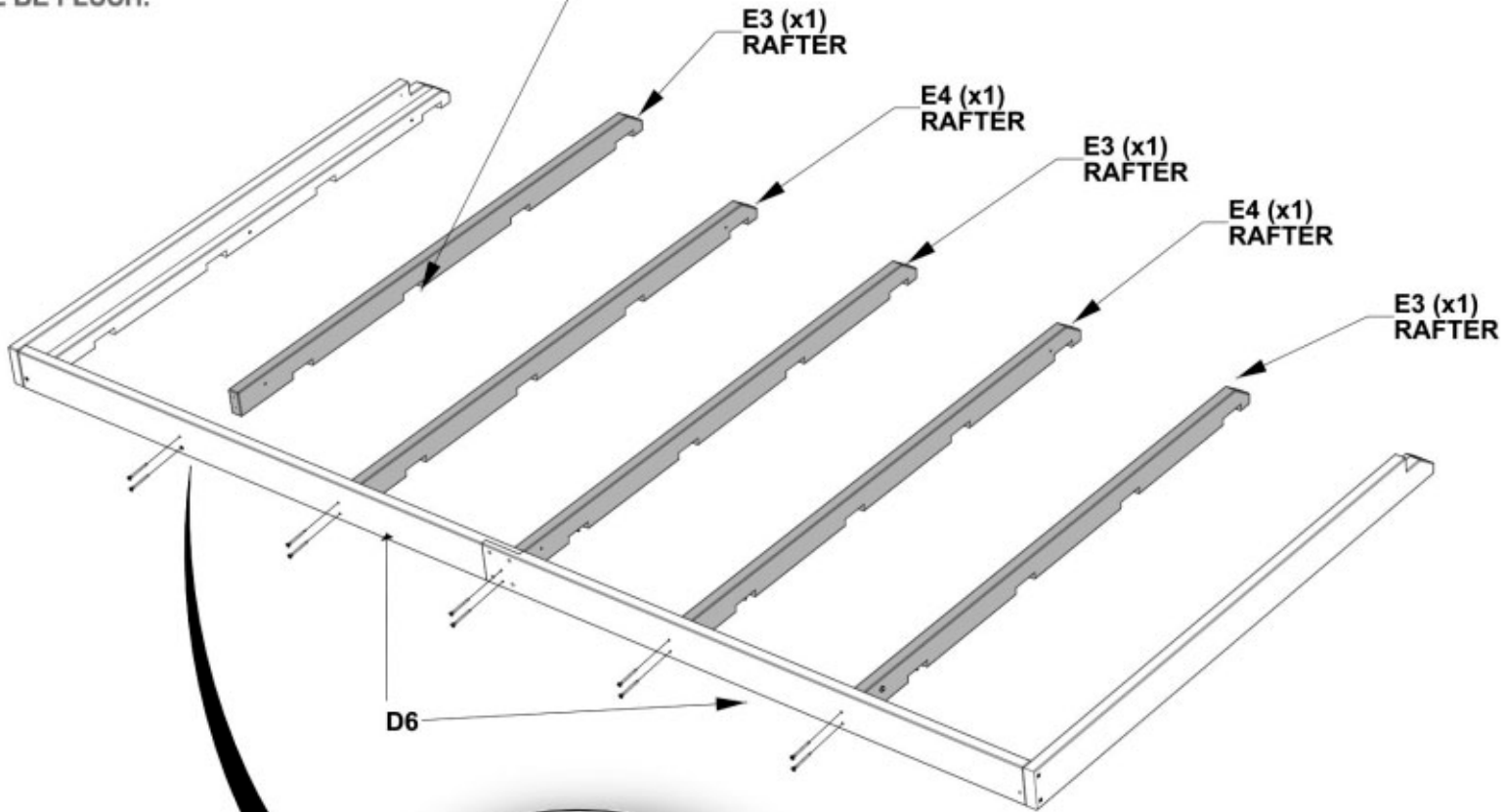


E4 | RAFTER-W4L16199
(x2) | 1 7/16"x3 3/8"x74 3/16" (36x86x1884)

QTY.	PART NUMBER	DESCRIPTION
10	H101008	SCREW CONFIRMAT 7 X 3 BLK

FLIP ASSEMBLY FROM PREVIOUS STEP OVER. LAY RAFTERS FLAT, ALIGNING PILOT HOLES WITH HOLES IN D6 BOARDS. BOTTOM EDGE WILL BE FLUSH.

NOTCHES IN RAFTERS SHOULD FACE DOWN.



1008 (x10) SCREW - 3"

STEP 23 - GAZEBO ASSEMBLY

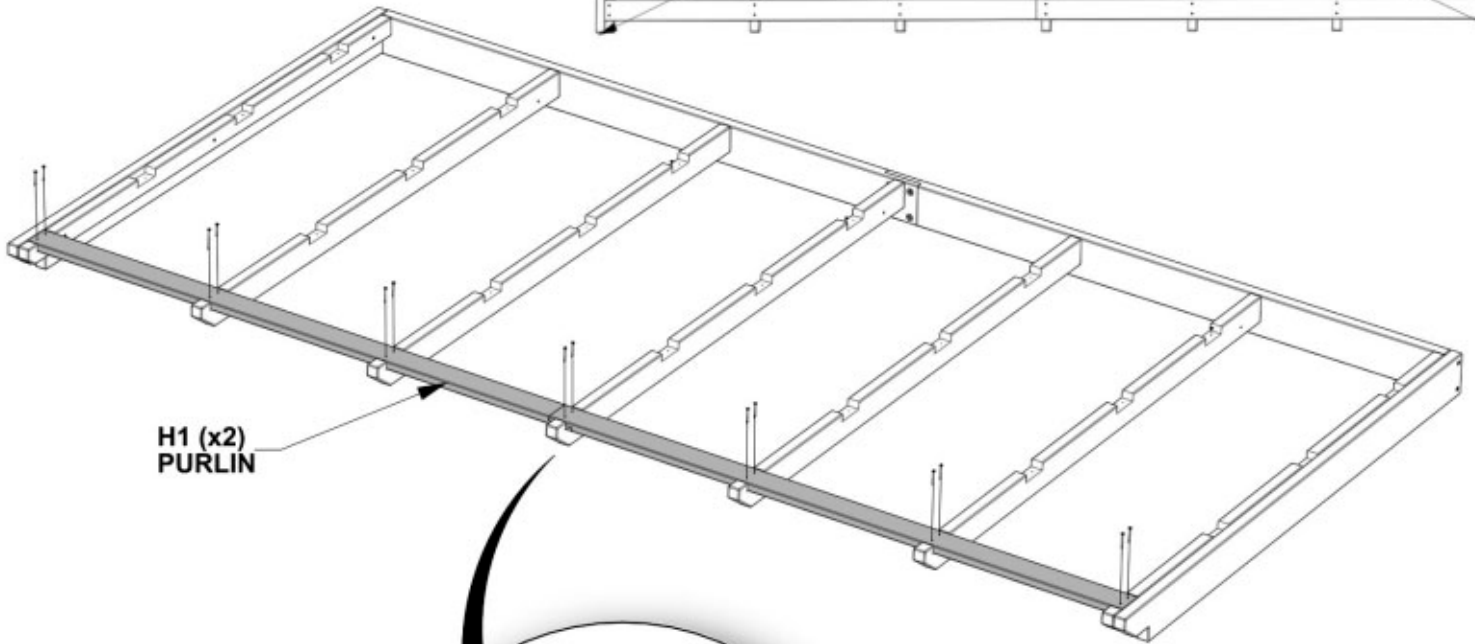
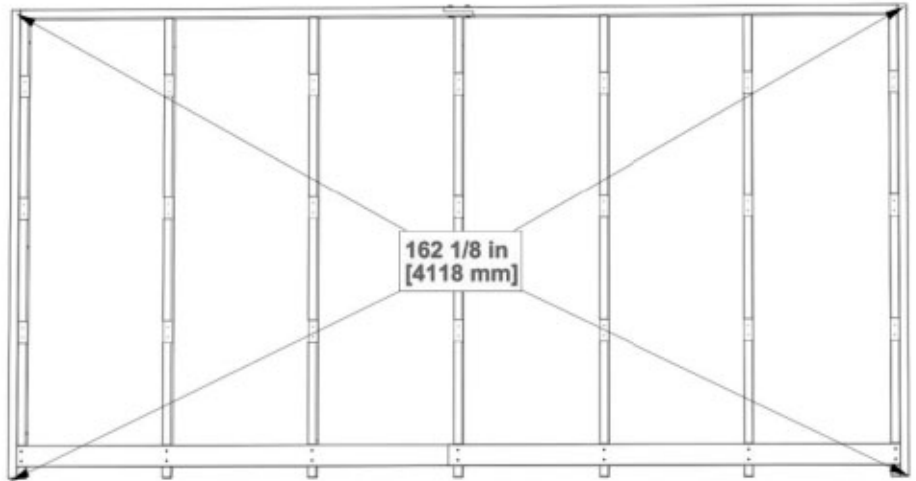


H1 | PURLIN-W4L16198
 (x2) | 15/16"x3 3/8"x71 7/8" (24x86x1826)

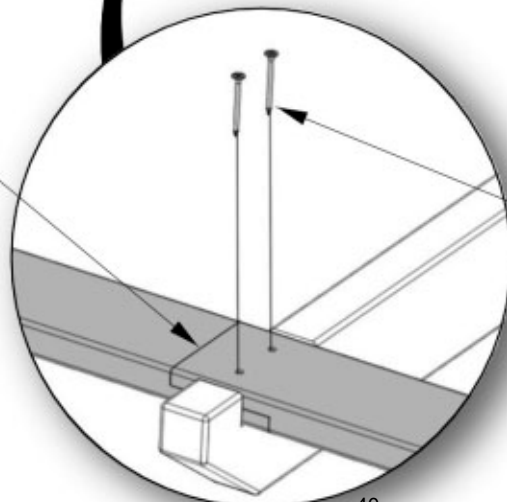
QTY.	PART NUMBER	DESCRIPTION
14	H100382	SCREW PFH 8 X 1 3/4 BLK

FLIP ASSEMBLY FROM PREVIOUS STEP OVER.
 POSITION H1 PURLIN IN PLACE. MEASURE
 DIAGONALLY AND SQUARE AS NEEDED.
 MEASUREMENT SHOULD BE 162 1/8 in [4118 mm].

ONCE SQUARE, INSERT SCREWS.
 RE-MEASURE CORNER TO CORNER.



NOTE: LAP ORIENTATION



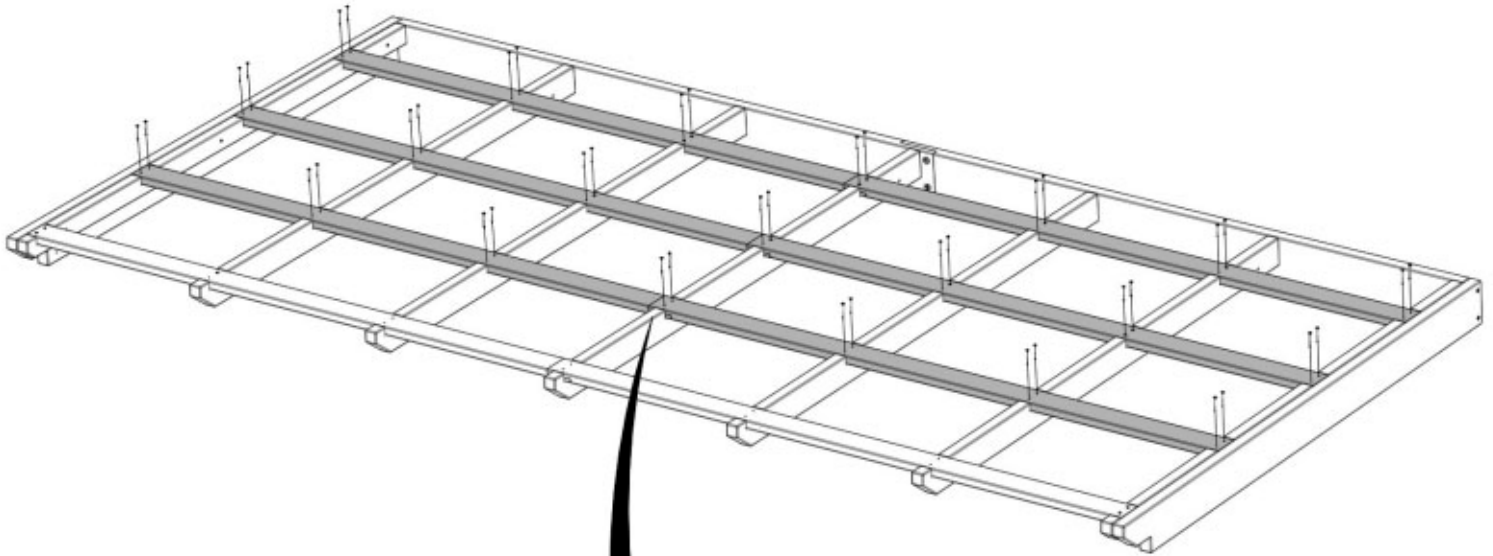
382 (x14)
SCREW - 1 3/4"

STEP 24 - GAZEBO ASSEMBLY



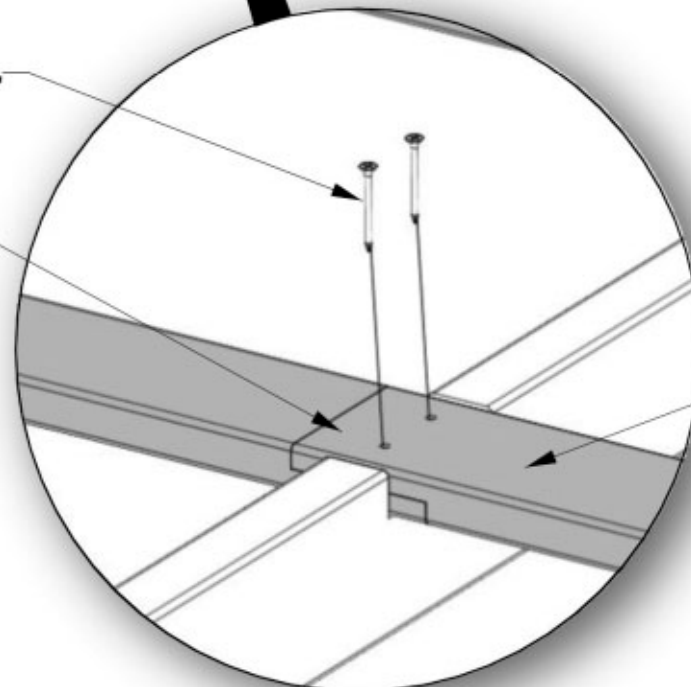
H1 | PURLIN-W4L16198
(x6) | 15/16"x3 3/8"x71 7/8" (24x86x1826)

QTY.	PART NUMBER	DESCRIPTION
42	H100382	SCREW PFH 8 X 1 3/4 BLK



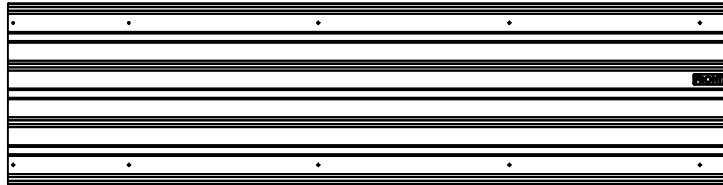
382 (x42)
SCREW - 1 3/4"

NOTE: LAP ORIENTATION



H1 (x6)
PURLIN

STEP 25 - GAZEBO ASSEMBLY

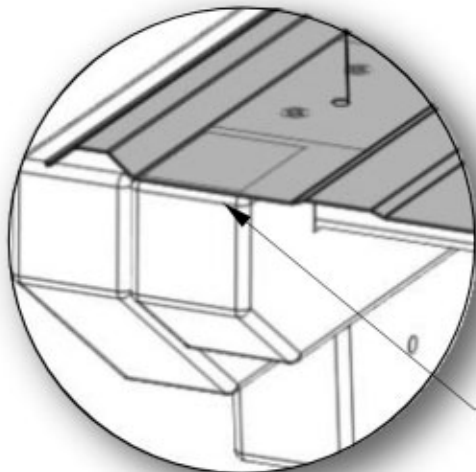


A4M01485 | 29GA STEEL SHEETING
(x8)

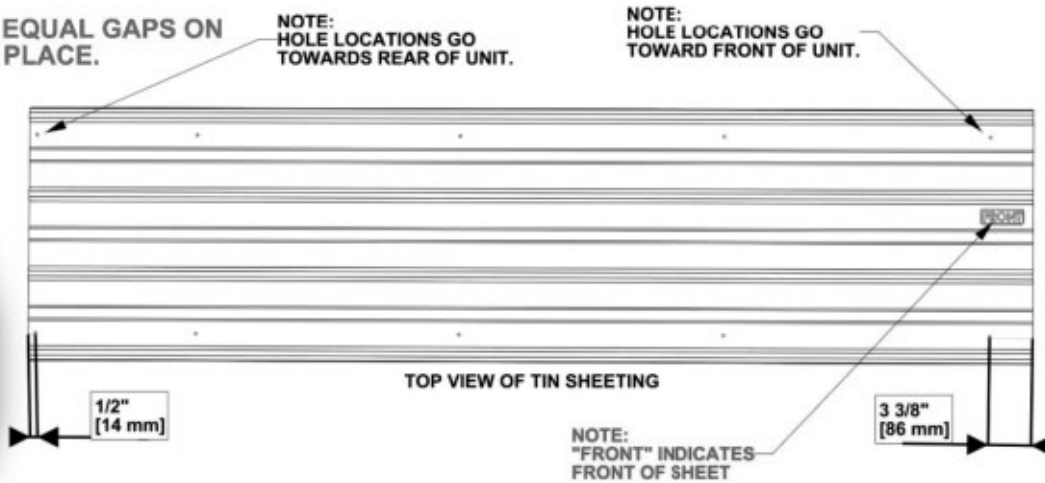
QTY.	PART NUMBER	DESCRIPTION
80	H101117	SCREW WOODGRIP 10-16x3/4" BLK

NOTE:
WARNING:
GLOVES SHOULD BE WORN WHEN HANDLING ROOF PANELS.
EDGES ARE SHARP. REMOVE BLUE FILM FROM EACH SHEET.

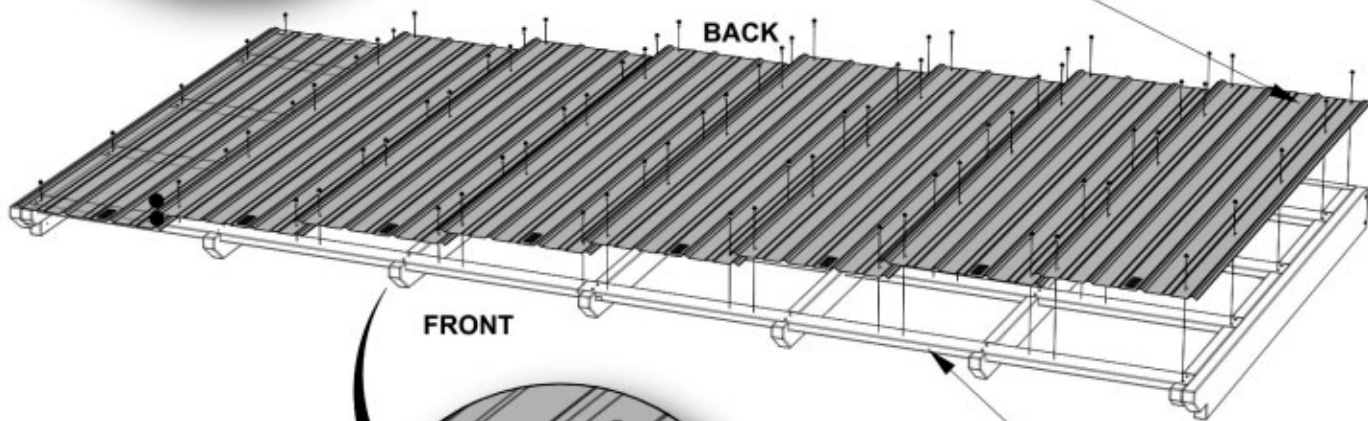
1. LOOKING AT THE FRONT OF THE UNIT AS PICTURED BELOW, PLACE TIN SHEETS DOWN.
2. STARTING AT THE LEFT SIDE AND WORKING TOWARD THE RIGHT SIDE OVER LAPPING BY ONE RIB.
3. CENTER SHEETS ON ROOF AND LEAVE EQUAL GAPS ON BOTH LEFT AND RIGHT SIDES. SCREW IN PLACE.



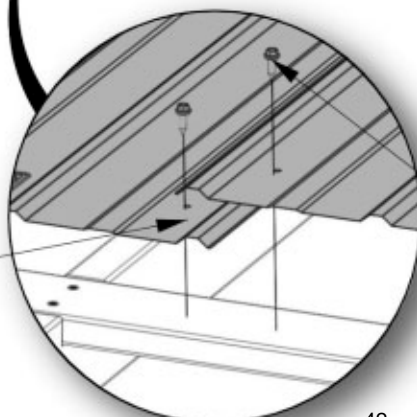
FLUSH EDGE OF SHEET WITH END OF RAFTER



485 (x8)
29 GA STEEL SHEETING



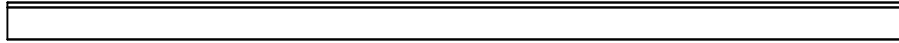
ROOF/RAFTER ASSEMBLY FROM PREVIOUS STEPS



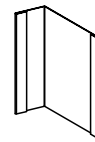
NOTE: SHEETS OVERLAP BY (1) RIB

117 (x80)
SCREW - 3/4"

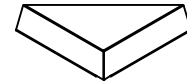
STEP 26 - GAZEBO ASSEMBLY



A4M01492 | ROOF EDGE TRIM
(x2)



A4M01496 | ROOF EDGE TRIM SPLICE
(x1)

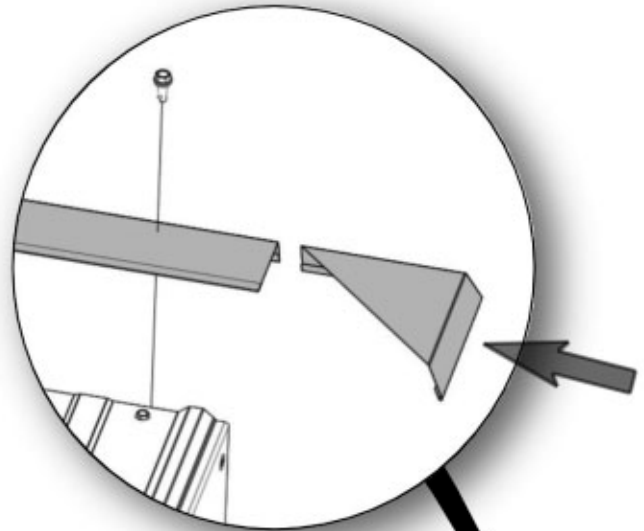
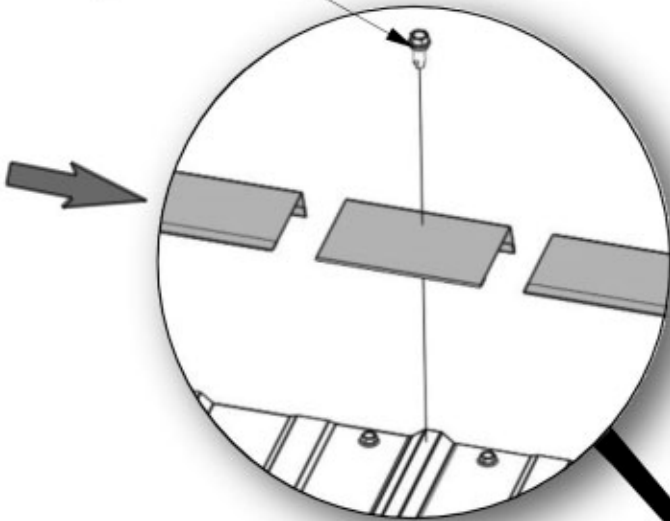


A4M01494 | CORNER SPLICE TRIM
(x2)

QTY.	PART NUMBER	DESCRIPTION
7	H101116	SCREW SELF TAPPING 1/4x1 BLK

LAYOUT ROOF EDGE TRIM, TRIM SPLICE, AND CORNER SPLICE AS SHOWN BELOW. SLIDE TRIM PIECE INTO SPLICE. ATTACH CORNER SPLICES BY PRESSING INTO EDGE TRIM. SCREWS GO THROUGH EDGE TRIM INTO THE TOP OF THE RIBS IN THE APPROXIMATE LOCATIONS SHOW.

116 (x7)
SCREW - 1"



494 (x2)
CORNER SPLICE TRIM

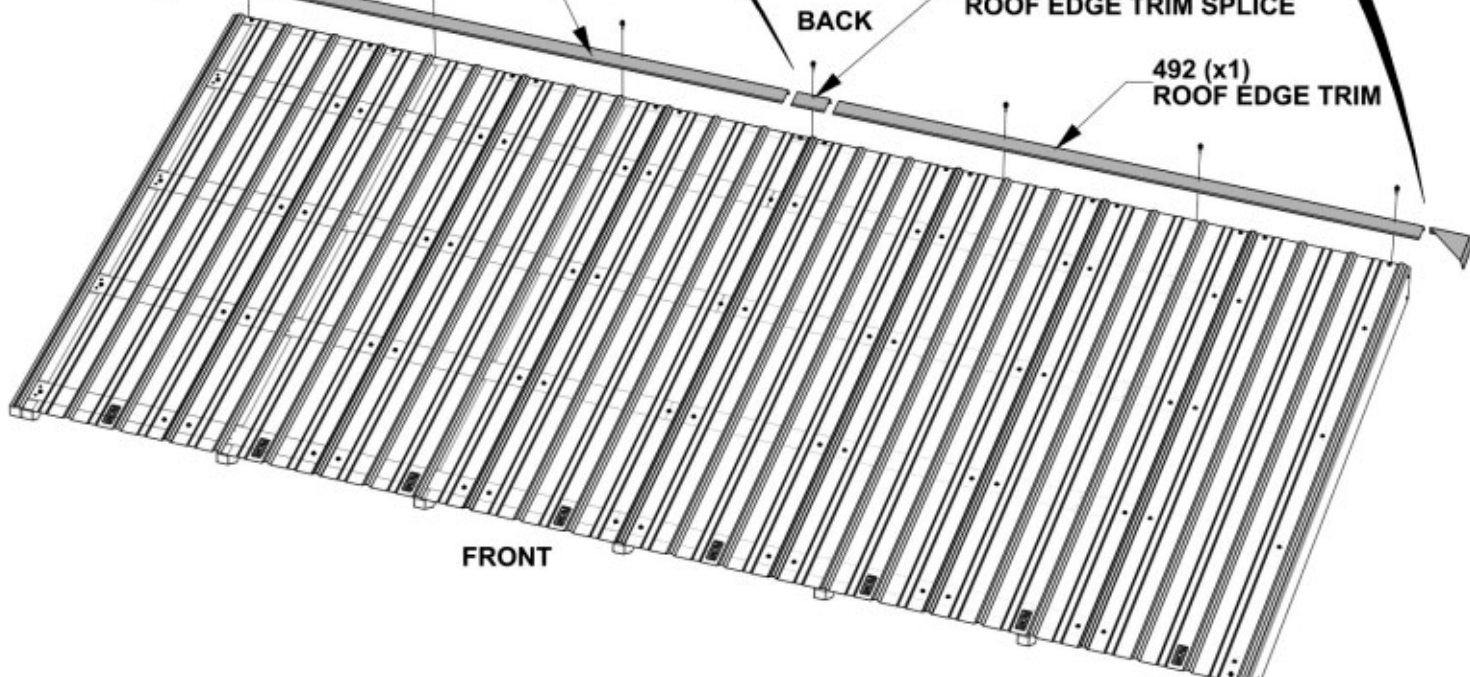
492 (x1)
ROOF EDGE TRIM

496 (x1)
ROOF EDGE TRIM SPLICE

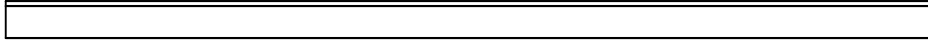
492 (x1)
ROOF EDGE TRIM

BACK

FRONT

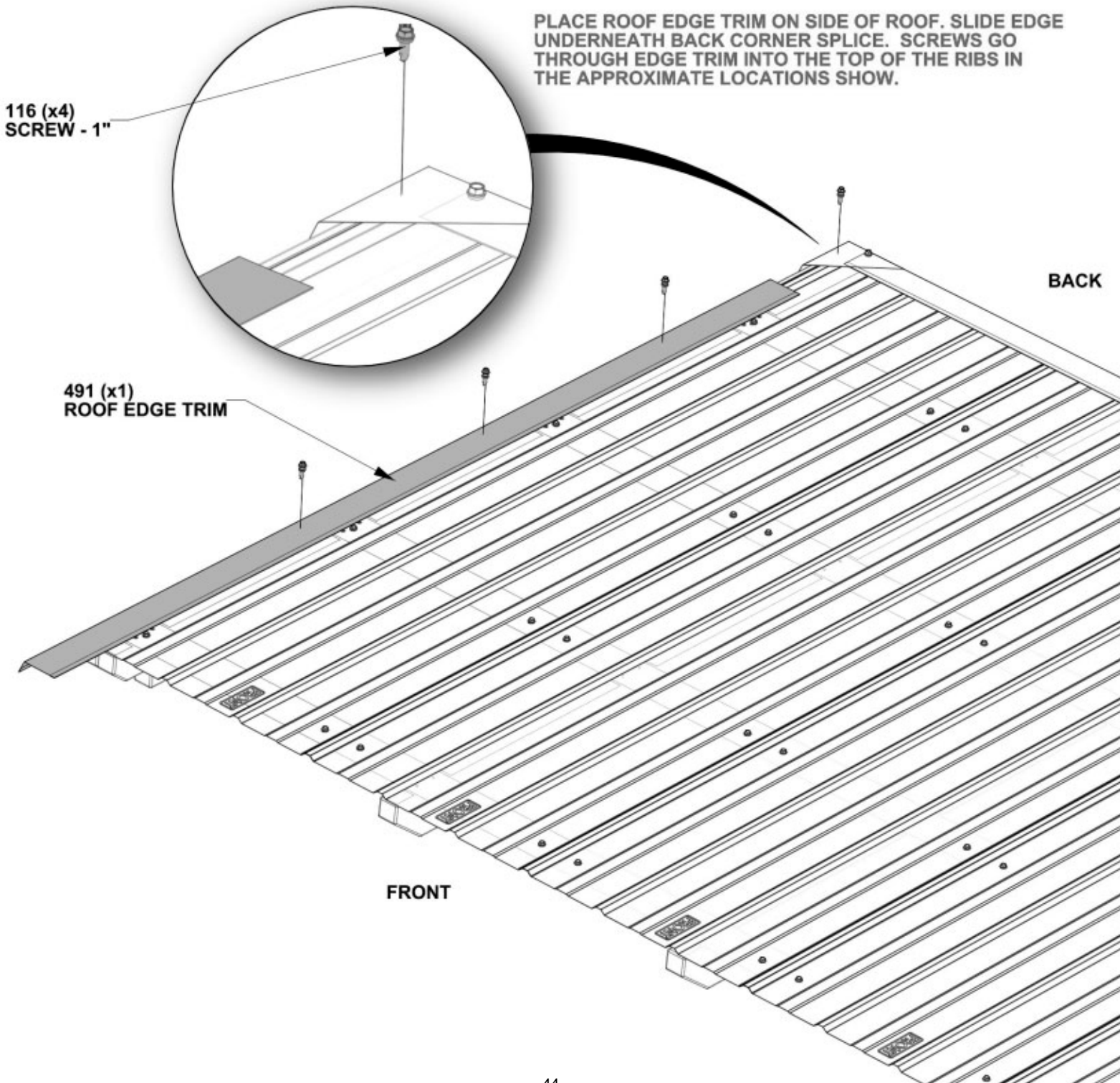


STEP 27 - GAZEBO ASSEMBLY

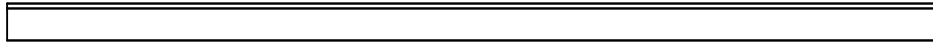


A4M01491 | ROOF EDGE TRIM
(x1)

QTY.	PART NUMBER	DESCRIPTION
4	H101116	SCREW SELF TAPPING 1/4x1 BLK



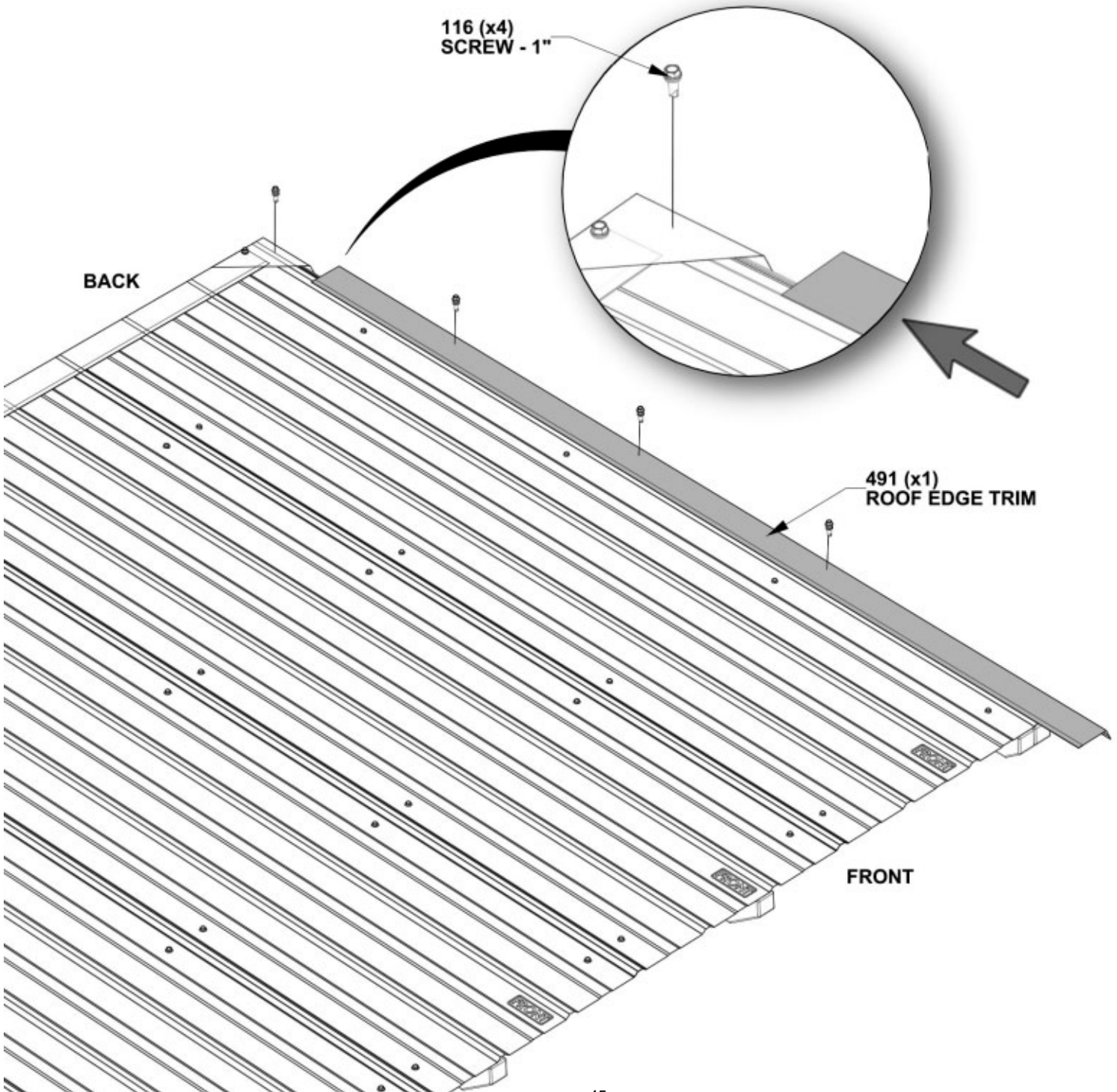
STEP 28 - GAZEBO ASSEMBLY



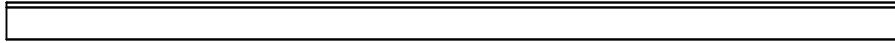
A4M01491 | ROOF EDGE TRIM
(x1)

QTY.	PART NUMBER	DESCRIPTION
4	H101116	SCREW SELF TAPPING 1/4x1 BLK

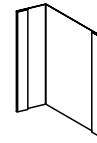
PLACE ROOF EDGE TRIM ON SIDE OF ROOF. SLIDE EDGE UNDERNEATH BACK CORNER SPLICE. SCREWS GO THROUGH EDGE TRIM INTO THE TOP OF THE RIBS IN THE APPROXIMATE LOCATIONS SHOW.



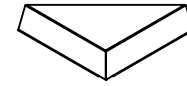
STEP 29 - GAZEBO ASSEMBLY



A4M01492 | ROOF EDGE TRIM
(x2)



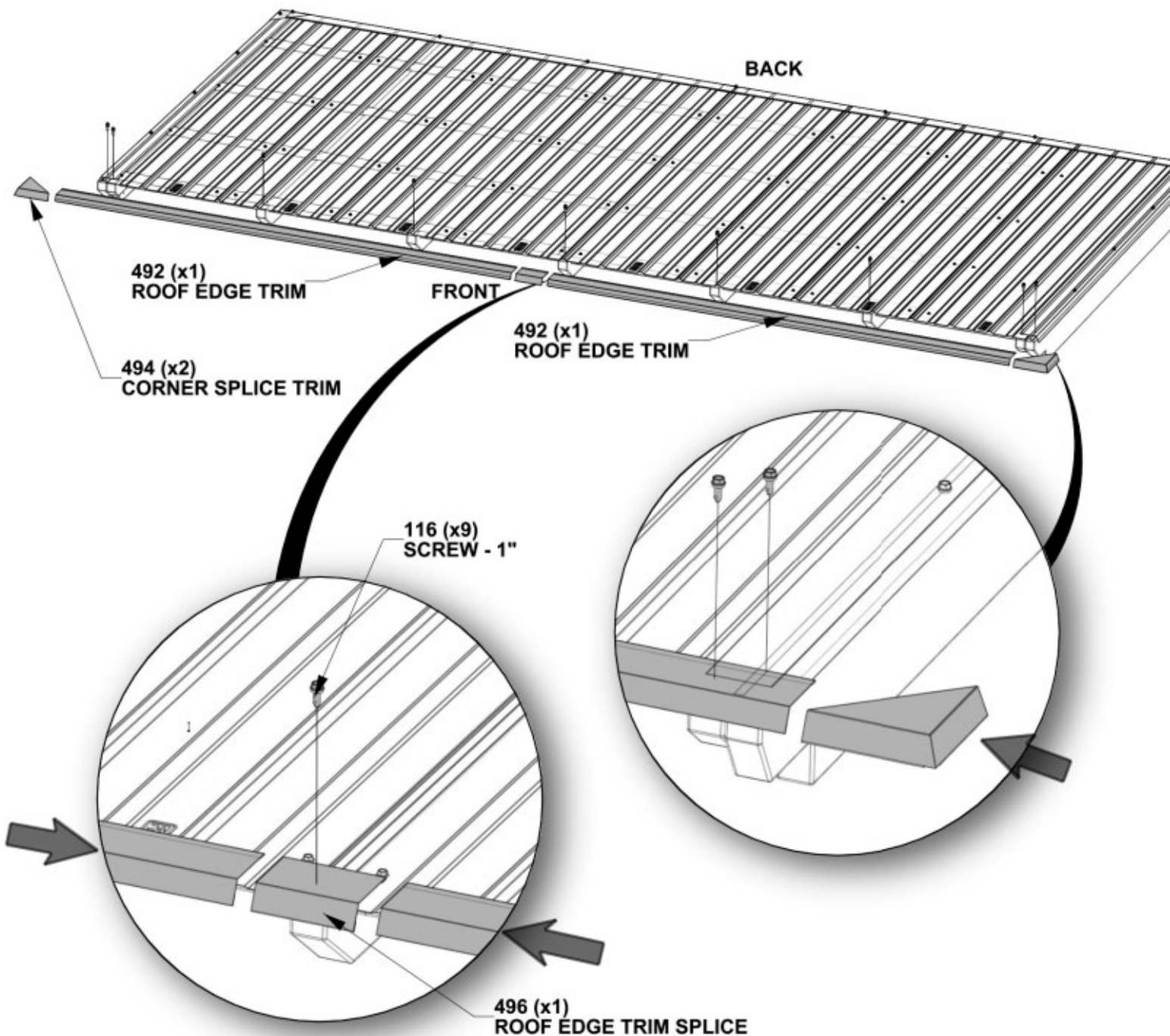
A4M01496 | ROOF EDGE TRIM SPLICE
(x1)



A4M01494 | CORNER SPLICE TRIM
(x2)

QTY.	PART NUMBER	DESCRIPTION
9	H101116	SCREW SELF TAPPING 1/4x1 BLK

LAYOUT ROOF EDGE TRIM, TRIM SPLICE, AND CORNER SPLICE AS SHOWN BELOW. SLIDE TRIM PIECE INTO SPLICE. ATTACH CORNER SPLICES BY PRESSING INTO EDGE TRIM. SCREWS GO THROUGH EDGE TRIM INTO THE TOP OF THE RIBS IN THE APPROXIMATE LOCATIONS SHOW.



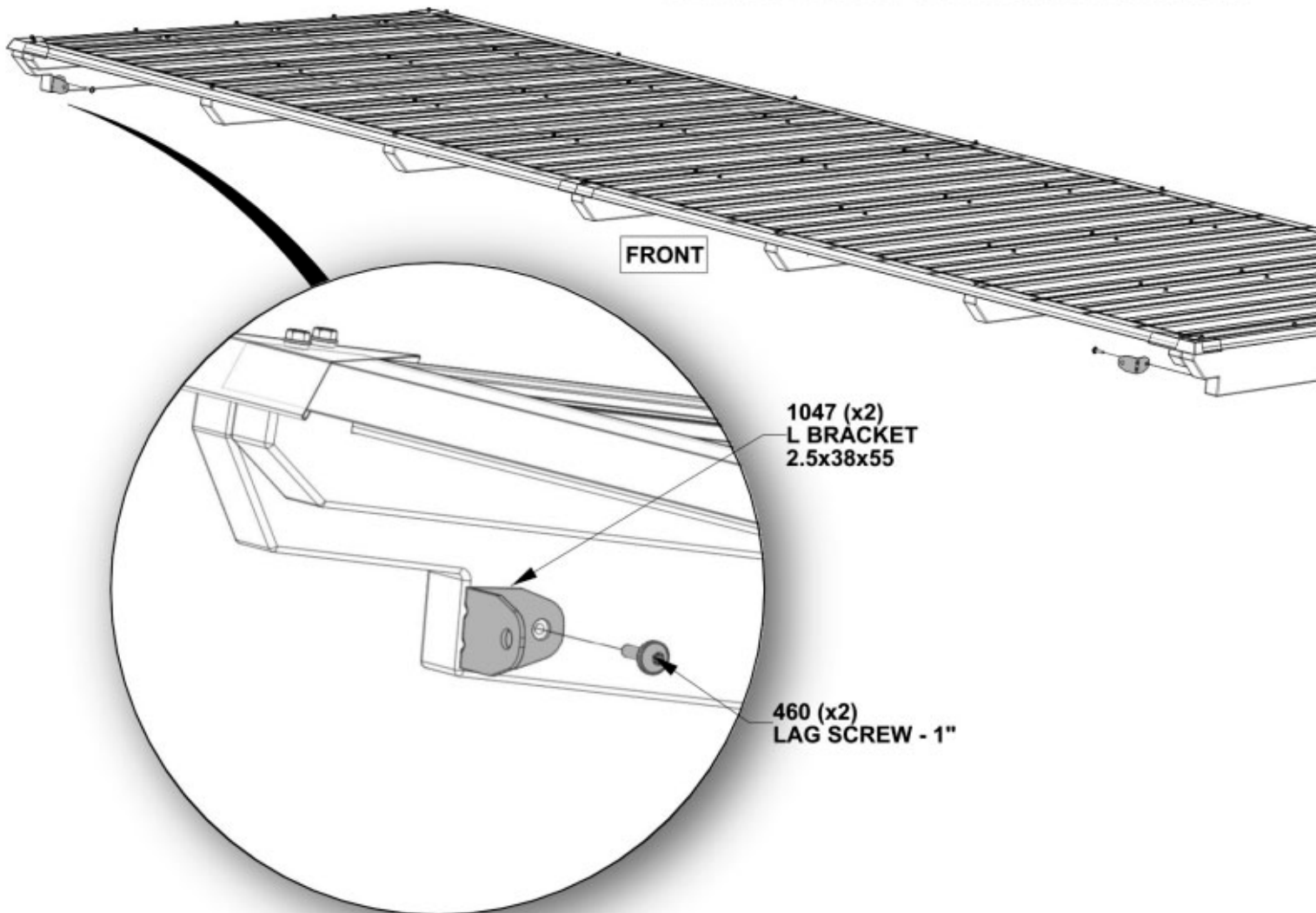
STEP 30 - GAZEBO ASSEMBLY



A4M01047
(x2) | L BRACKET 2.5x38x55

QTY.	PART NUMBER	DESCRIPTION
2	H100460	LAG SCREW WH 1/4 X 1 BLK

NOTE:
ATTACH L BRACKET TO FRONT LEFT
AND RIGHT EDGE USING PILOT HOLES.
BRACKET MUST BE ATTACHED TO OUTSIDE
BEAM BEFORE ROOF IS ATTACHED TO ASSEMBLY.

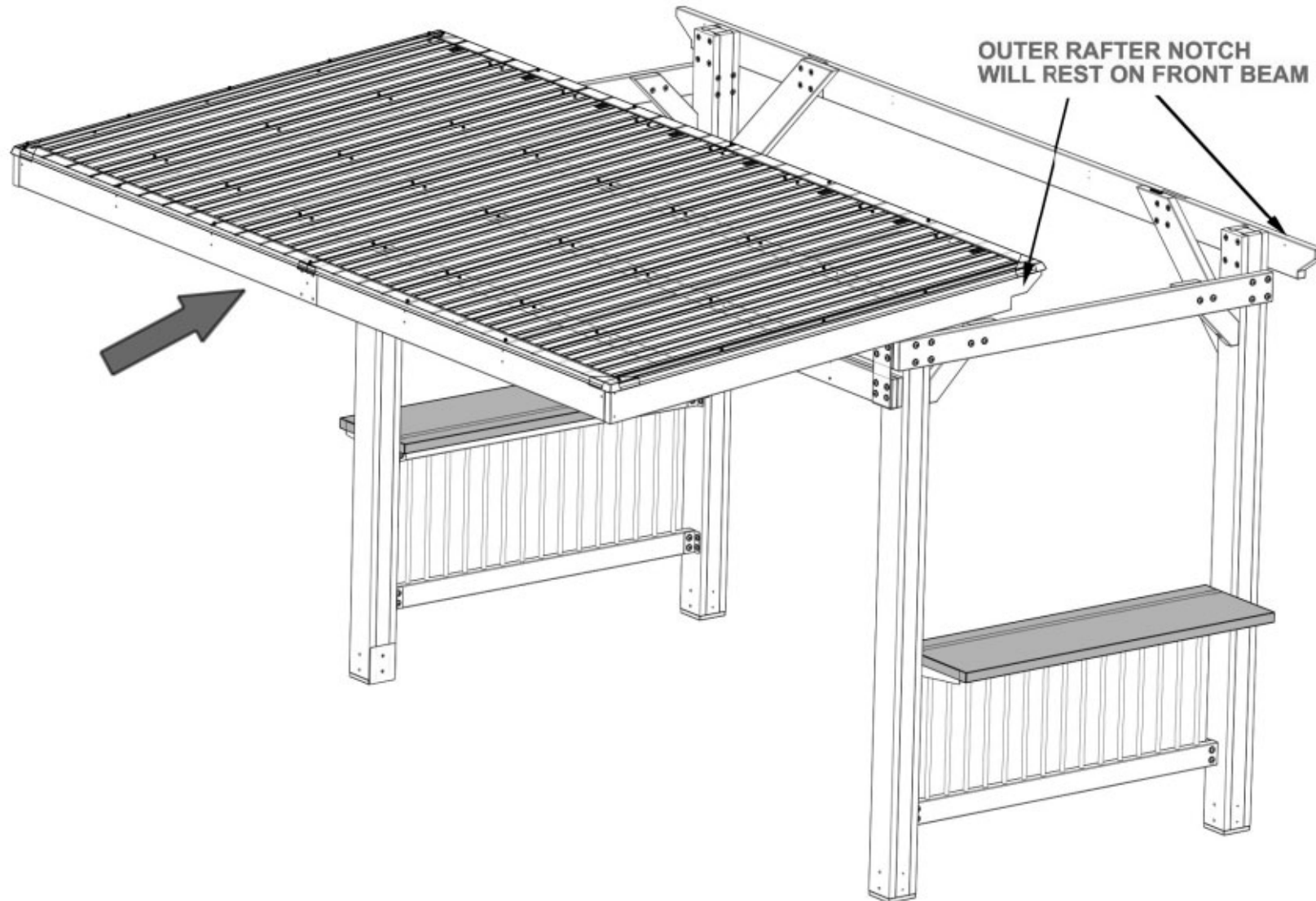


STEP 31 - GAZEBO ASSEMBLY

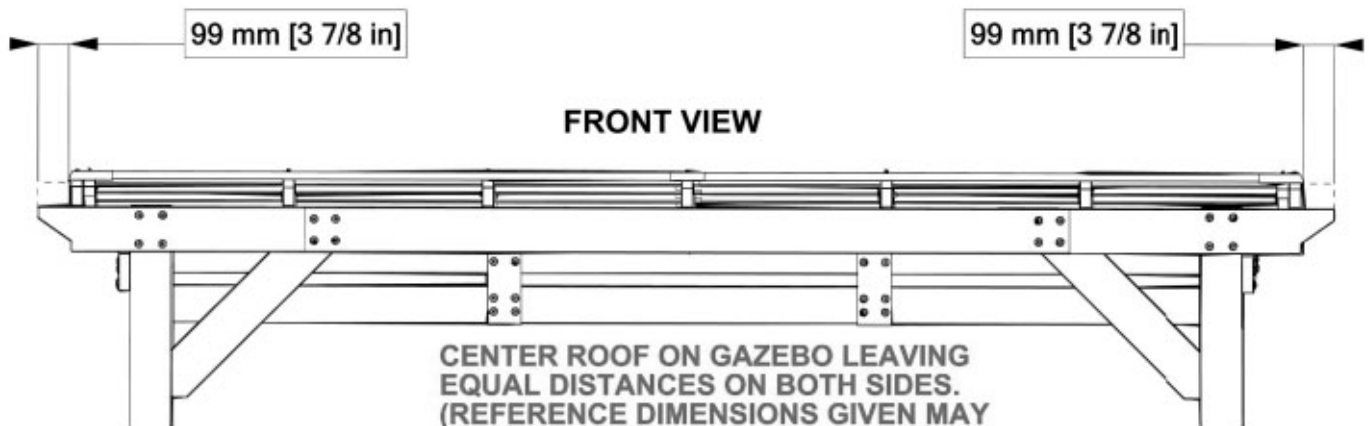
WARNING: GLOVES SHOULD BE WORN WHEN HANDLING METAL PIECES.

TIPS:

- ROOF ASSEMBLY WILL WEIGH APPROXIMATELY 150-180LBS.
- THREE PEOPLE ARE HELPFUL FOR THIS STEP.
- PLACE A PERSON ON A LADDER IN THE CENTER OF THE GAZEBO TO HELP SUPPORT THE ROOF PANEL.
- WITH TWO PEOPLE, CAREFULLY WORK THE PANEL UP FROM THE BACKSIDE OF THE GAZEBO UNTIL THE OUTER RAFTER NOTCH RESTS ON FRONT BEAM.



**OUTER RAFTER NOTCH
WILL REST ON FRONT BEAM**



FRONT VIEW

**CENTER ROOF ON GAZEBO LEAVING
EQUAL DISTANCES ON BOTH SIDES.
(REFERENCE DIMENSIONS GIVEN MAY
CHANGE ACCORDINGLY)**

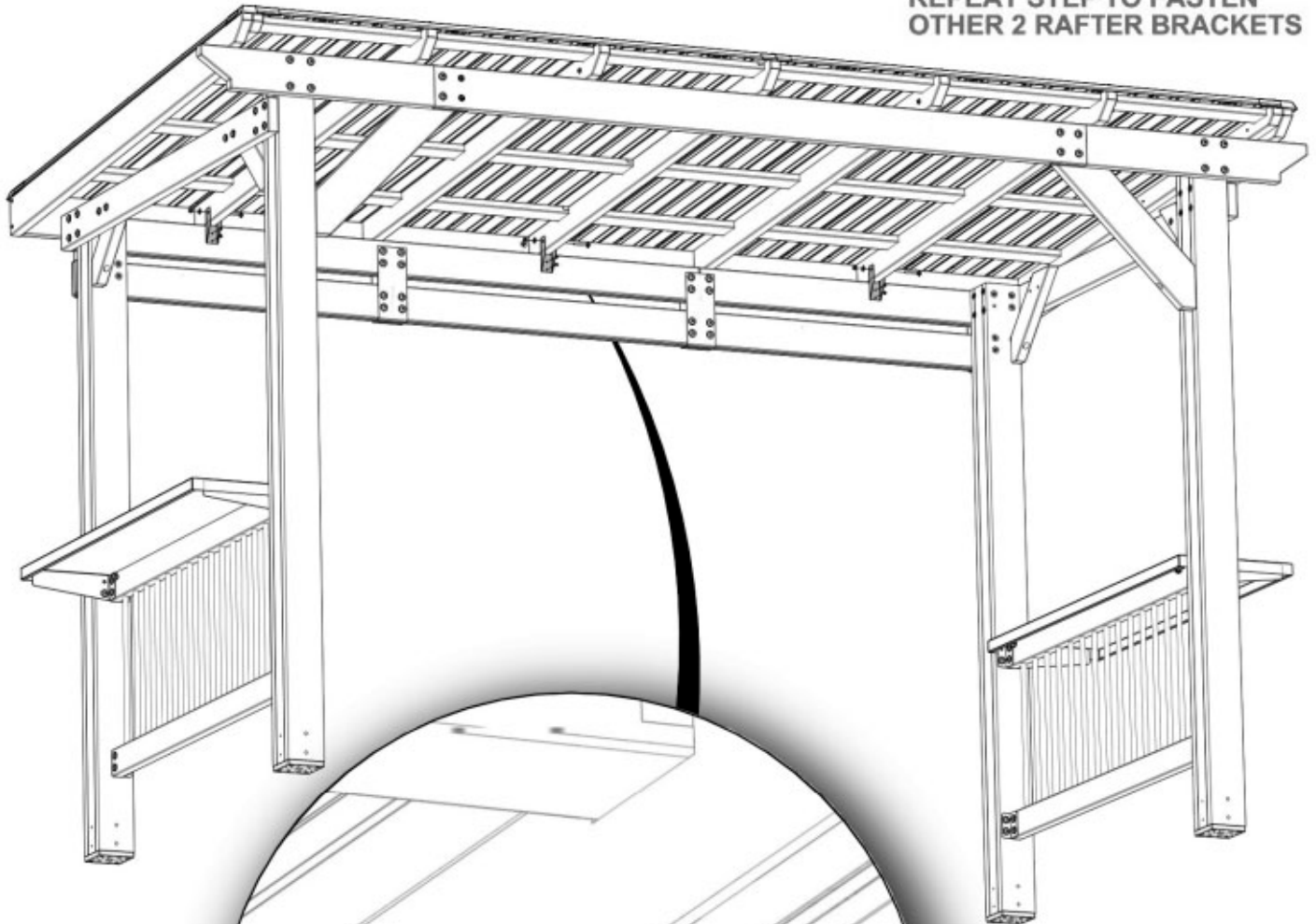
STEP 32 - GAZEBO ASSEMBLY



A4M01228
(x3) | RAFTER BRACKET

QTY.	PART NUMBER	DESCRIPTION
3	H100488	BOLT WH 1/4 X 2 BLK
3	H100630	WASHER FLAT 8x19 BLK
3	H100653	NUT LOCK 1/4 BLK
6	H100536	SCREW PWH 8 X 1 1/4 BLK

REPEAT STEP TO FASTEN
OTHER 2 RAFTER BRACKETS



653 (x3)
LOCK NUT - 1/4"

630 (x3)
WASHER - 8x19

228 (x3)
RAFTER CLIP

488 (x3)
BOLT - 2"

536 (x6)
SCREW - 1 1/4"

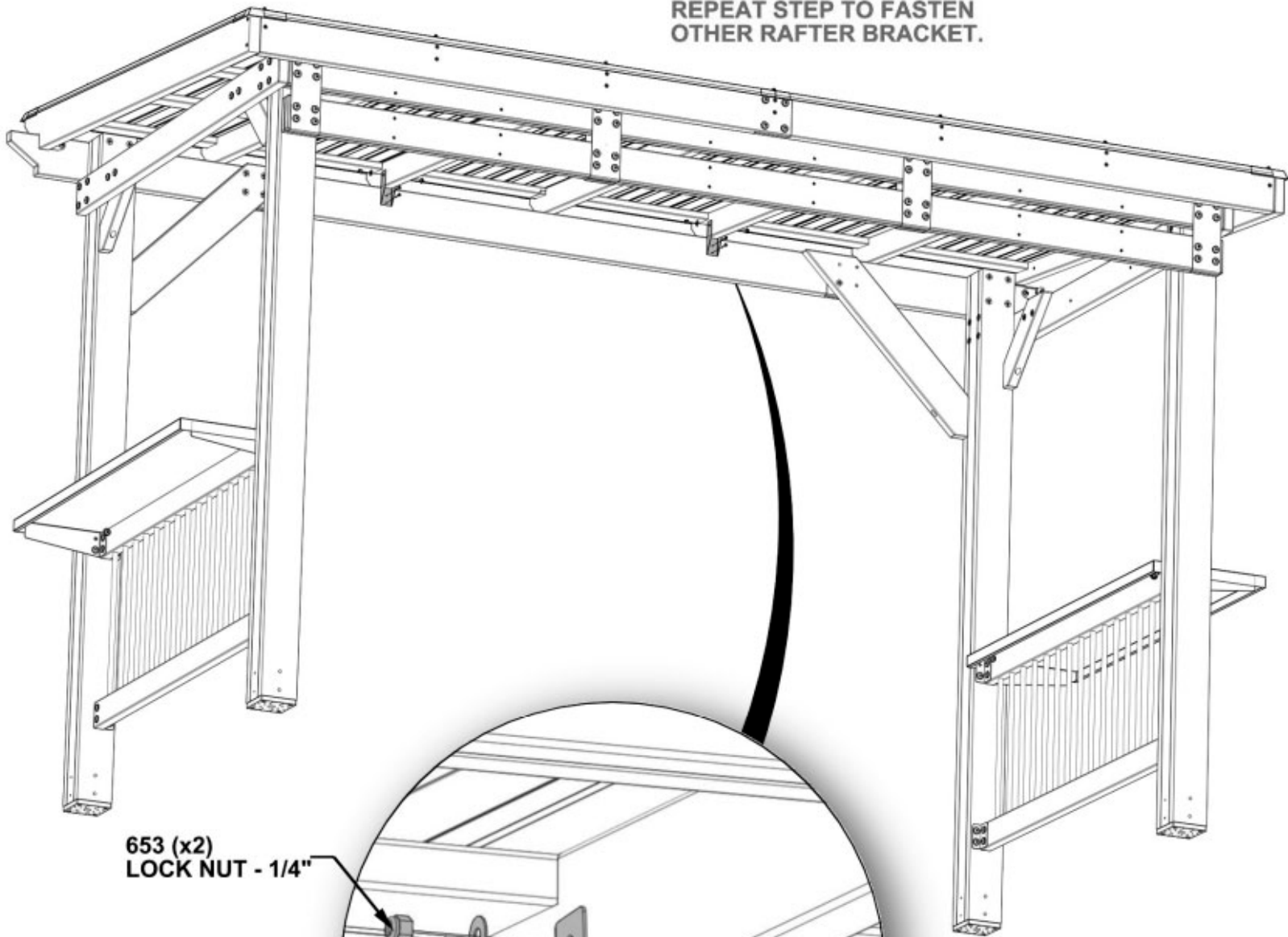
STEP 33 - GAZEBO ASSEMBLY



A4M01228
(x2) | RAFTER BRACKET

QTY.	PART NUMBER	DESCRIPTION
2	H100488	BOLT WH 1/4 X 2 BLK
2	H100630	WASHER FLAT 8x19 BLK
2	H100653	NUT LOCK 1/4 BLK
4	H100536	SCREW PWH 8 X 1 1/4 BLK

REPEAT STEP TO FASTEN
OTHER RAFTER BRACKET.



653 (x2)
LOCK NUT - 1/4"

630 (x2)
WASHER - 8x19

228 (x2)
RAFTER CLIP

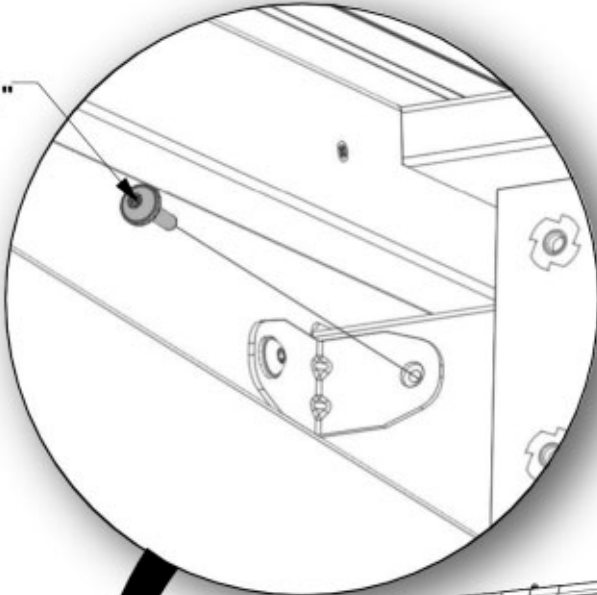
488 (x2)
BOLT - 2"

536 (x4)
SCREW - 1 1/4"

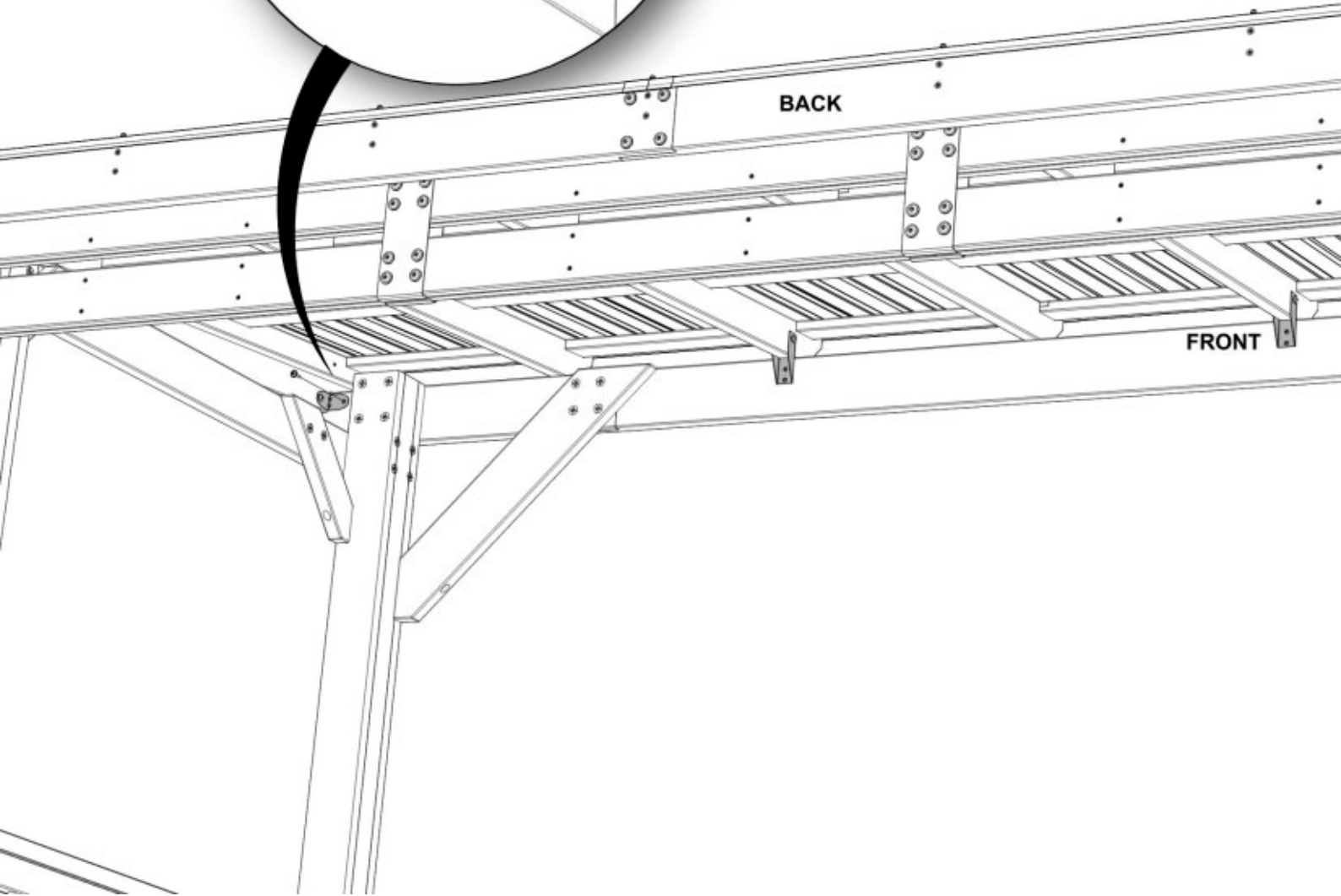
STEP 34 - GAZEBO ASSEMBLY

QTY.	PART NUMBER	DESCRIPTION
2	H100460	LAG SCREW WH 1/4 X 1 BLK

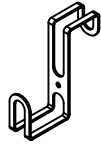
460 (x2)
LAG SCREW - 1"



NOTE:
FASTEN BOTH L BRACKETS ON ROOF
ASSEMBLY, TO FRONT JOIST
USING PILOT HOLE.



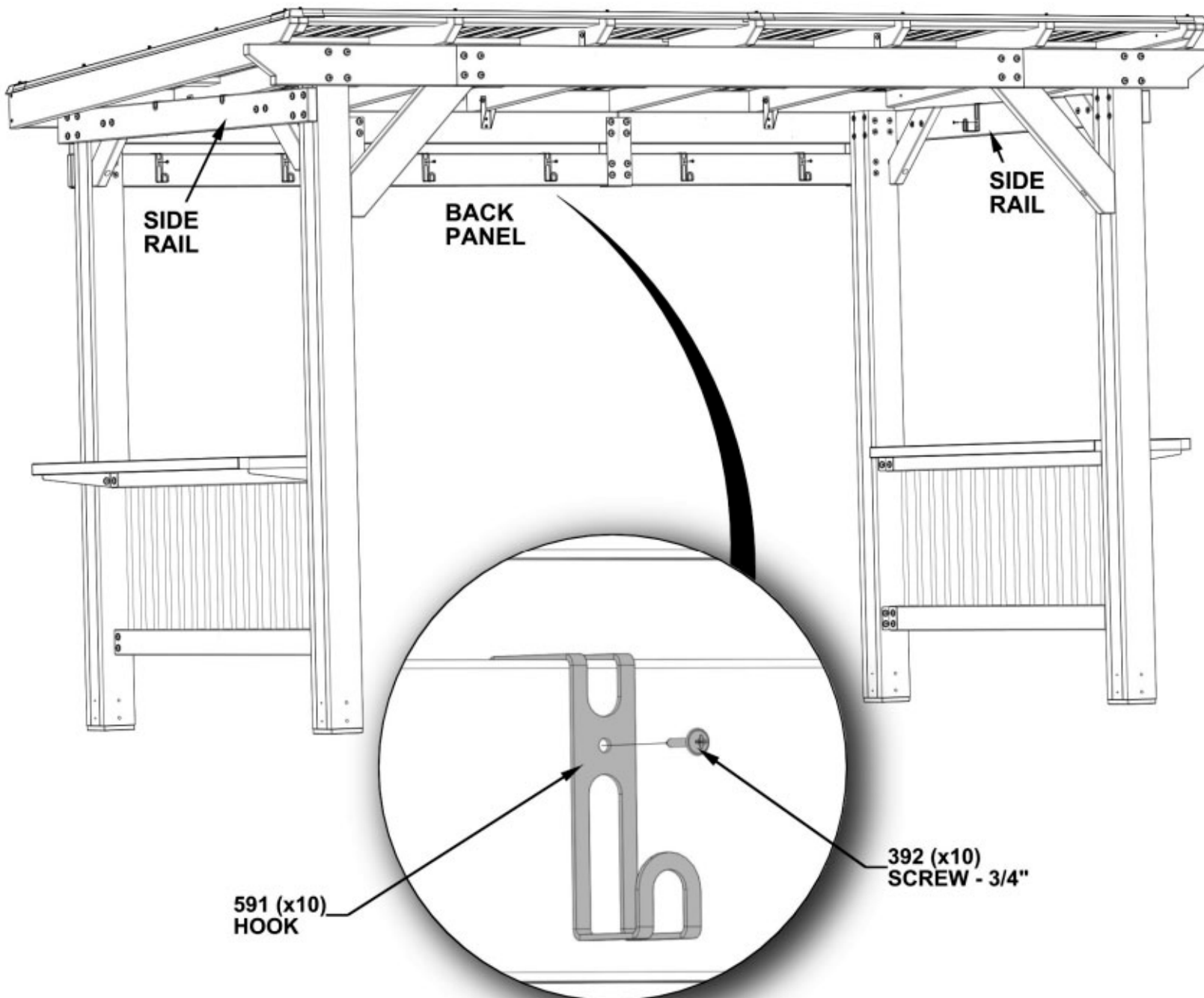
STEP 35 - GAZEBO ASSEMBLY



A4M01591
(x10) | HOOK

QTY.	PART NUMBER	DESCRIPTION
10	H100392	SCREW PWH 8 X 3/4 BLK

NOTE:
GAZEBO INCLUDES 10 UNIVERSAL HOOKS THAT CAN BE
INSTALLED ANYWHERE THE CONSUMER DESIRES ALONG
THE BACK PANEL OR SIDE RAILS OF THE GAZEBO.



STEP 36 - GAZEBO ASSEMBLY

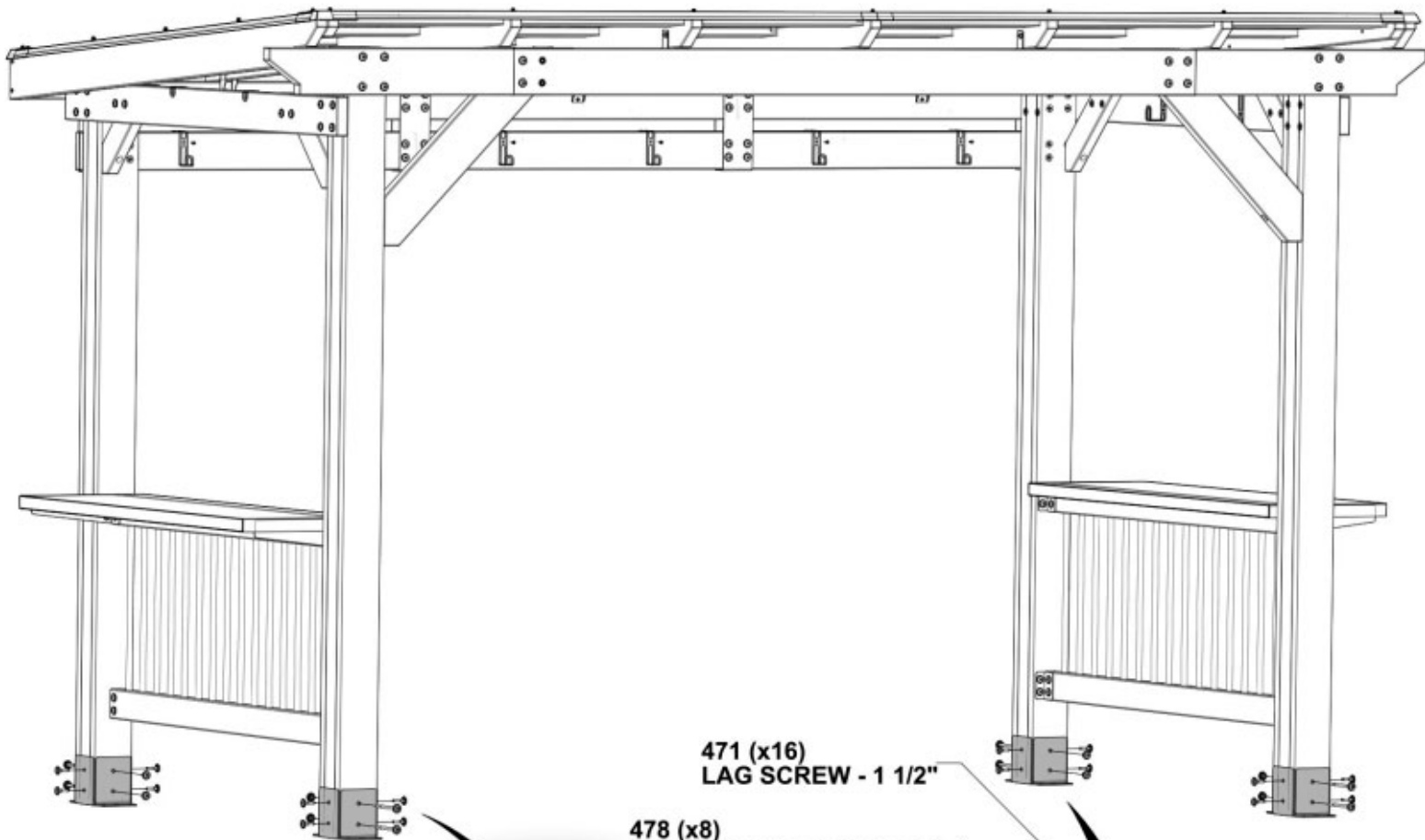
QTY.	PART NUMBER	DESCRIPTION
8	H100469	NUT BARREL WH 5/16 X 5/8 BLK
8	H100480	BOLT WH 5/16 X 4 3/4 BLK
16	H100471	LAG SCREW WH 5/16 X 1 1/2 BLK



A4M01478
(x8) | **POST ANCHORING PLATE**

A4M01477
(x8) | **POST PLATE**

NOTES:
477 POST PLATES MOUNT ON LEFT AND RIGHT SIDE OF POST.
478 POST ANCHORING PLATES MOUNT ON FRONT AND BACK OF POST.



469 (x8)
NUT BARREL - 5/8"

478 (x8)
POST ANCHORING PLATE

480 (x8)
BOLT - 4 3/4"

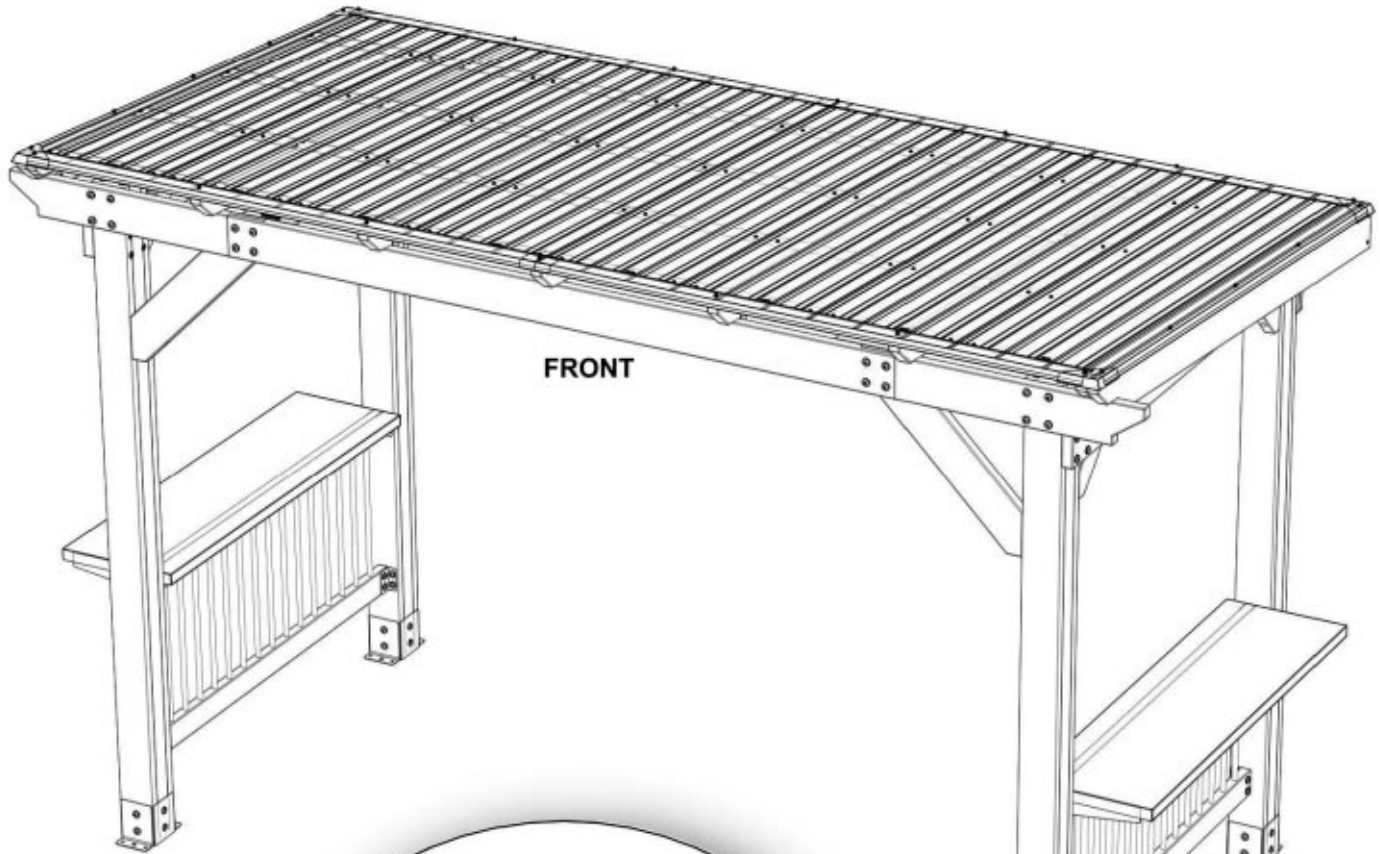
477 (x8)
POST PLATE

STEP 37 - GAZEBO ASSEMBLY



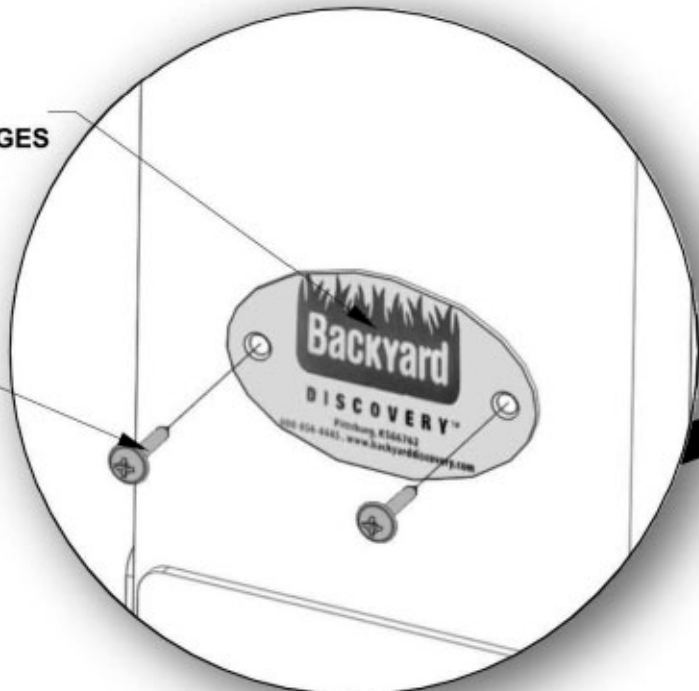
A100241 (x1) | BYD ID TAG (SMALL) WITHOUT AGES

QTY.	PART NUMBER	DESCRIPTION
2	H100392	SCREW PWH 8 X 3/4 BLK



241 (x1)
BYD ID TAG
(SMALL) WITHOUT AGES

392 (x2)
SCREW -3/4"



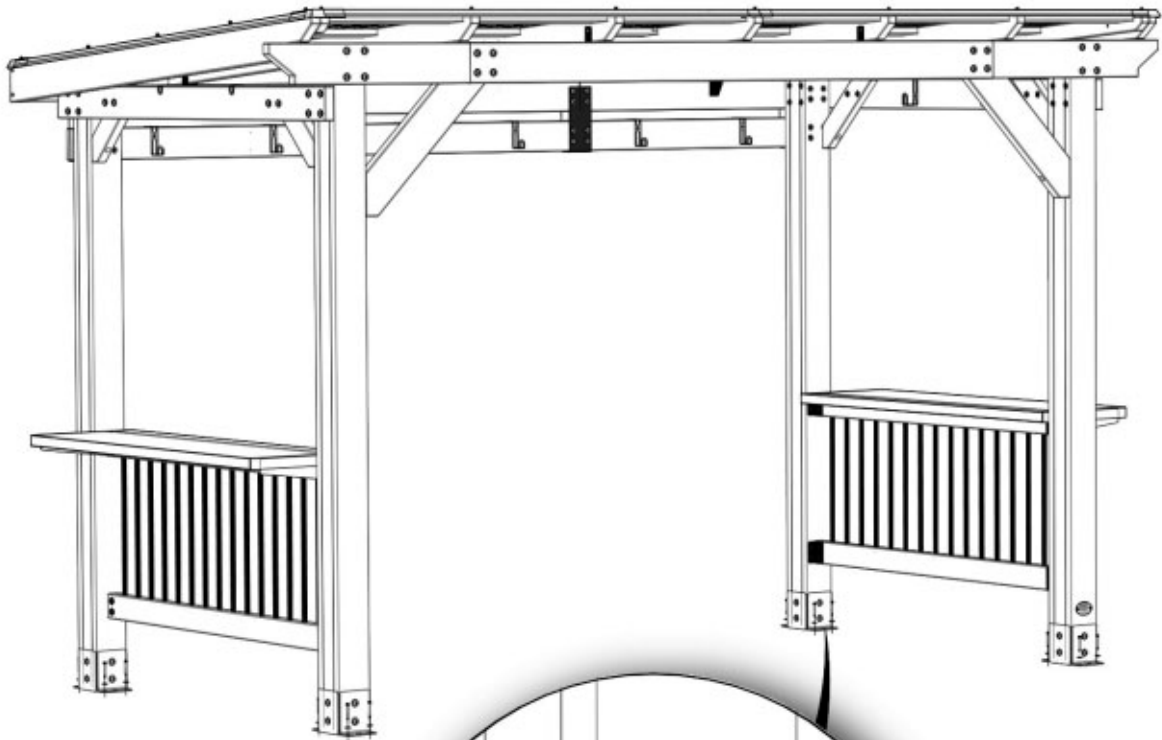
STEP 38 - GAZEBO ASSEMBLY

QTY.	PART NUMBER	DESCRIPTION
16	H100630	WASHER FLAT 8x19 BLK
16	H100120	CONCRETE ANCHOR 1/4"x2"

NOTES:
 MANUFACTURER RECOMMENDS INSTALLATION ON CONCRETE SURFACE OR CONCRETE POST PADS. SEE BELOW.

NOTES:
 PRE-DRILL HOLES FOR CONCRETE ANCHORS USING A 3/16" CONCRETE DRILL BIT.

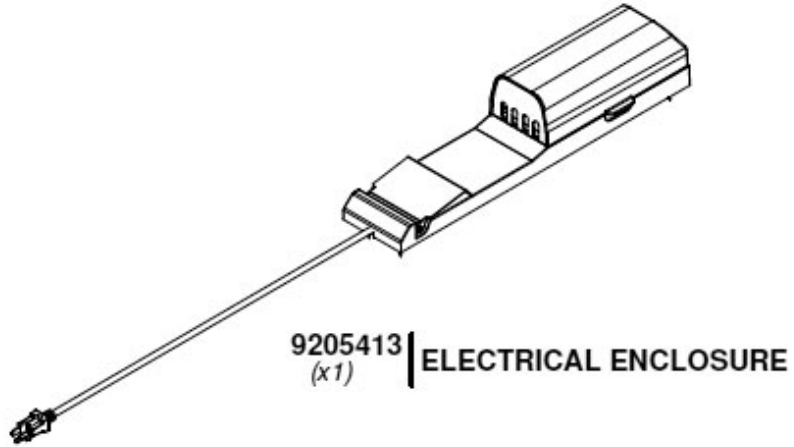
FOR INSTALLATION ON WOOD DECKS, YOU MUST ENSURE THERE IS AMPLE STRUCTURAL SUPPORT UNDER DECK.



630 (x16)
 WASHER - 8x19

120 (x16)
 SCREW - 2"

ELECTRICAL ENCLOSURE



FOR ELECTRICAL ENCLOSURE INSTALLATION REFER TO ASSEMBLY INSTRUCTIONS THAT COMES PACKAGED WITH THE ELECTRICAL ENCLOSURE KIT. INSTALL ON ANY POST THAT IS DESIRED. FOLLOW DIRECTIONS FOR PROPER INSTALLATION.