



Manufactured by:
 Backyard Discovery
 3305 Airport Drive, Pittsburg, KS 66762
 800-856-4445

Basepoint Business Centre: Rivermead Drive, Westlea, Swindon SN5 7EX Phone: 0800-118-2476 J.P. Coenstraat 7, The Bridge, The Hague, 2595 WP, Netherlands Phone: 08005678990

16x12 TRENTON, WINDHAM PERGOLA

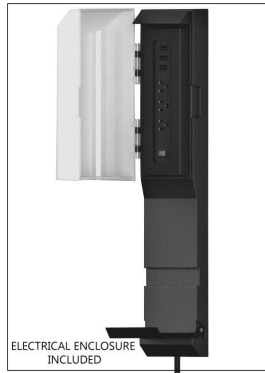
MODEL #'s : 2105119, 2105140, 2105416B, 2105447B



2105140, 2105447B AU
 WINDHAM (WHITE)



2105119, 2105416B AU
 TRENTON (BLACK)



Please visit www.backyarddiscovery.com
 For the most up to date assembly manual, to register your product, or to order
 replacement parts *Para obtener instrucciones en español, visite*
www.backyarddiscovery.com



EASY STEP-BY-STEP
 3D INTERACTIVE INSTRUCTIONS
 DOWNLOAD THE FREE APP



INSTALLATION
 SERVICES
 AVAILABLE!
 See inside for details



THE MANUFACTURER RESERVES THE RIGHT TO MAKE SUBSTITUTIONS TO WARRANTY CLAIMS IF PARTS ARE UNAVAILABLE OR OBSOLETE

This Limited Warranty by Backyard Discovery applies to products manufactured under the Backyard Discovery brand or its other brands, including but not limited to, Adventure Playsets and Leisure Time Products.

Backyard Discovery Wood Patio Structure

Backyard Discovery warrants this wood patio product to be free from defects in materials and workmanship for a period of two (2) years from the original date of purchase. All wood carries a five (5) year warranty against rot and decay from the original purchase date. LIMITED WARRANTY

OUTDOOR PATIO ITEMS

THE MANUFACTURER RESERVES THE RIGHT TO MAKE SUBSTITUTIONS TO WARRANTY CLAIMS IF PARTS ARE UNAVAILABLE OR OBSOLETE

This Limited Warranty by Backyard Discovery applies to products manufactured under the Backyard Discovery brand or its other brands, including but not limited to, Adventure Playsets and Leisure Time Products.

Backyard Discovery Wood Patio Structure

Backyard Discovery warrants this wood patio product to be free from defects in materials and workmanship for a period of two (2) years from the original date of purchase. All wood carries a five (5) year warranty against rot and decay from the original purchase date.

Backyard Discovery Metal Patio Structure

Backyard Discovery warrants this metal patio product to be free from defect in materials and workmanship for a period of five (5) years from the original date of purchase.

General Warranty Information

This warranty applies to the original owner and registrant and is non-transferable. Regular maintenance is required to ensure maximum life and performance of this product. Failure by the owner to maintain the product according to the maintenance requirements may void this warranty. Maintenance guidelines are provided in the Owner's Manual.

This Limited Warranty does not cover:

Backyard Discovery Metal Patio Structure

Backyard Discovery warrants this metal patio product to be free from defect in materials and workmanship for a period of five (5) years from the original date of purchase.

General Warranty Information

This warranty applies to the original owner and registrant and is non-transferable. Regular maintenance is required to ensure maximum life and performance of this product. Failure by the owner to maintain the product according to the maintenance requirements may void this warranty. Maintenance guidelines are provided in the Owner's Manual.

This Limited Warranty does not cover:

- Natural occurring properties of wood such as twisting, warping, checking, peeling or any other natural occurring properties of wood that do not affect performance or integrity.
- Installation – the warranty is null and void if installation is not in accordance with the Assembly Instructions.
- Labor for any inspection
- Labor for replacement of any defective item(s)
- Incidental or consequential damages
- Cosmetic defects, including rusting, color fading, minor cracks, corrosion, which do not affect performance or integrity of a part or the entire product.
- Vandalism, improper use, failure due to loading or use beyond the capacities stated in the applicable Assembly Manual.
- Acts of nature including but not limited to wind, storms, hail, floods, excessive water exposure.
- Improper installation including but not limited to installation on uneven, unlevel, or soft ground.

Backyard Discovery products have been designed for safety and quality. Any modifications made to the original product could damage the structural integrity of the unit leading to failure and possible injury. Modification voids any-and-all warranties and Backyard Discovery assumes no liability for the modified products or consequences resulting from failure of a modified product. Backyard Discovery disclaims all other representations and warranties of any kind, express or implied.

USA and Canada: To make a warranty or replacement part claim please visit backyarddiscovery.com or call Backyard Discovery customer service at **800-856-4445**. Backyard Discovery will, at its sole discretion, replace any part within the stated warranty period that is defective in workmanship or materials. At Backyard Discovery's discretion, photographs of the defective part, physical return of the defective part to Backyard Discovery, or proof of purchase may be required for verification.

Outside of the USA and Canada: Contact place of purchase or distributor for warranty service.

This Warranty gives you specific legal rights. You may have other rights as well which vary from state to state, province to province or country to country, where you bought the product. This warranty excludes all consequential damages however, some states do not allow the limitation or exclusion of consequential damages and therefore this limitation may not apply to you.

Please read entire booklet completely before beginning the assembly process

Please retain these instructions and your receipt for future reference. Keep them in a safe place where you can refer to them as needed. In order to provide you with the most efficient service, it is required that you provide us with the part numbers when ordering parts.

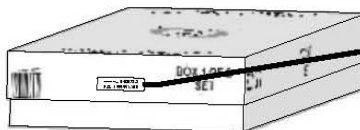
For Your Records:

Please take time and fill out the information below. This information will be needed for warranty issues.

Where Purchased: _____
 Date of Purchase: _____
 Installation Date: _____
 Installed by: _____
 Tracking Number: _____



Product Number Plate



Tracking Number Reference Label

Tracking ID number on the carton and on the product number plate are included for tracking purposes associated with warranty claims.





WARNING

IT IS IMPORTANT TO CHECK AND TIGHTEN ALL HARDWARE AT THE BEGINNING AND DURING THE SEASON AS THEY MAY LOOSEN DUE TO EXPANSION AND CONTRACTION.

- **DO NOT climb or walk on the roof for any reason**
- **Requires two or more people to assemble safely**
- **Check for underground utilities before digging or driving stakes into the ground.**
- **Check carefully for overhead lines and ensure there is at least 6ft (2m) clearance from any overhead electrical wires.**
- **Permanent structures may require a building permit. As the purchaser and or installer of this product you are advised to consult local planning, zoning and building inspection departments for guidance on applicable building codes and/or zoning requirements.**
- Wear gloves to avoid injury during installation.
- During installation, follow all safety warnings provided with your tools and use safety glasses.
- Check all nuts and bolts twice monthly during the usage season and tighten as required. It is particularly important that this procedure be followed at the beginning of each season.
- Oil all metallic moving parts monthly during the usage period.
- Check all coverings for bolts and sharp edges twice monthly during usage season to be certain they are in place. Replace when necessary. It is especially important to do this at the beginning of each new season.
- For rusted areas on metallic members such as hinges, brackets, etc. sand and repaint, using a non lead-based paint meeting the requirements of Title 16 CRF Part 1303.
- Touch up paint is available through Backyard Discovery. Please have the product number tag available for reference for customer support. This insures the correct color will be provided.

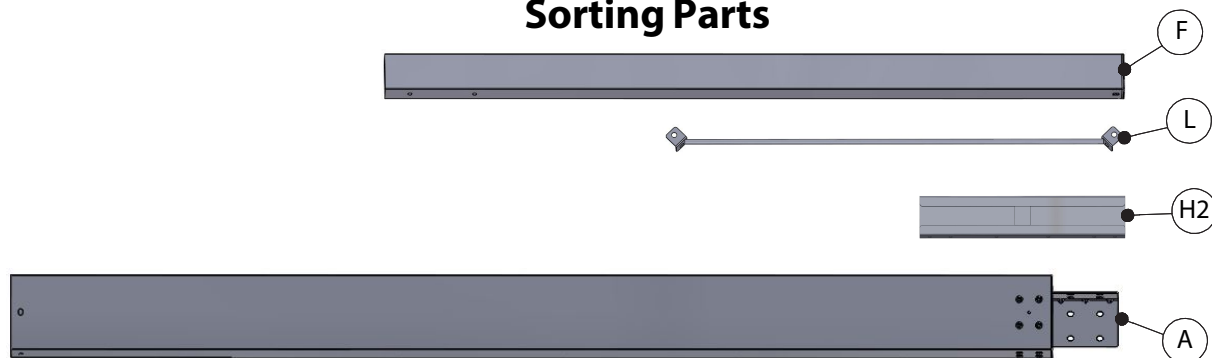
OWNERS SHALL BE RESPONSIBLE FOR MAINTAINING THE LEGIBILITY OF THE WARNING LABELS



ASSEMBLY TIP:

Keep an eye out for these boxes which will contain helpful pictures and information making the assembly process as quick and painless as possible.

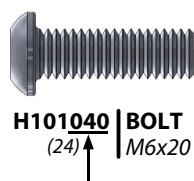
Sorting Parts



When removing the parts from the boxes we recommend arranging them by part number before you begin assembly. This will allow for faster assembly and easily identify any parts that may be missing or damaged.

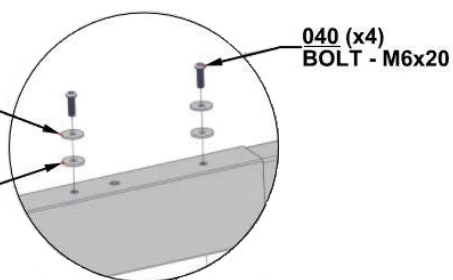
Hardware Identification

Hardware is identified with a seven digit alpha-numeric part number. During assembly you only need to reference the last three digits of the part number as noted in each step. This will make finding the correct hardware easier.



053 (x4)
STEEL WASHER - 6x20

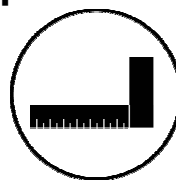
054 (x4)
RUBBER WASHER - 6x20



Tools Required



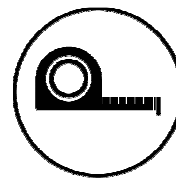
Some steps in the assembly process will require a second set of hands. Make sure you have a helper available.



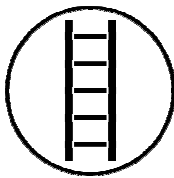
You will need to make sure that your assembly is square before fully tightening your bolts.



For proper assembly you will need to ensure that your structure is level before proceeding to the next step.



A tape measure may be needed to check overall dimensions to ensure structure is square.



A ladder will be needed for assembly. DO NOT stand or climb on any part of the structure at any point. Doing so may result in injury.



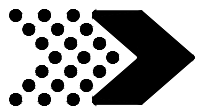
A rubber mallet may be useful during the assembly process.



A Phillips head screw driver will be used in an assembly step.



A drill and concrete drill bit will be used in an assembly step.



It is critically important that you start with square and level footings, concrete pad or deck to attach your structure

- Pay close attention to the items needed for each step. Make sure you are using the correct hardware for each step. Using incorrect hardware may result in improper assembly
- Remember to double check for underground utilities and overhead electrical lines

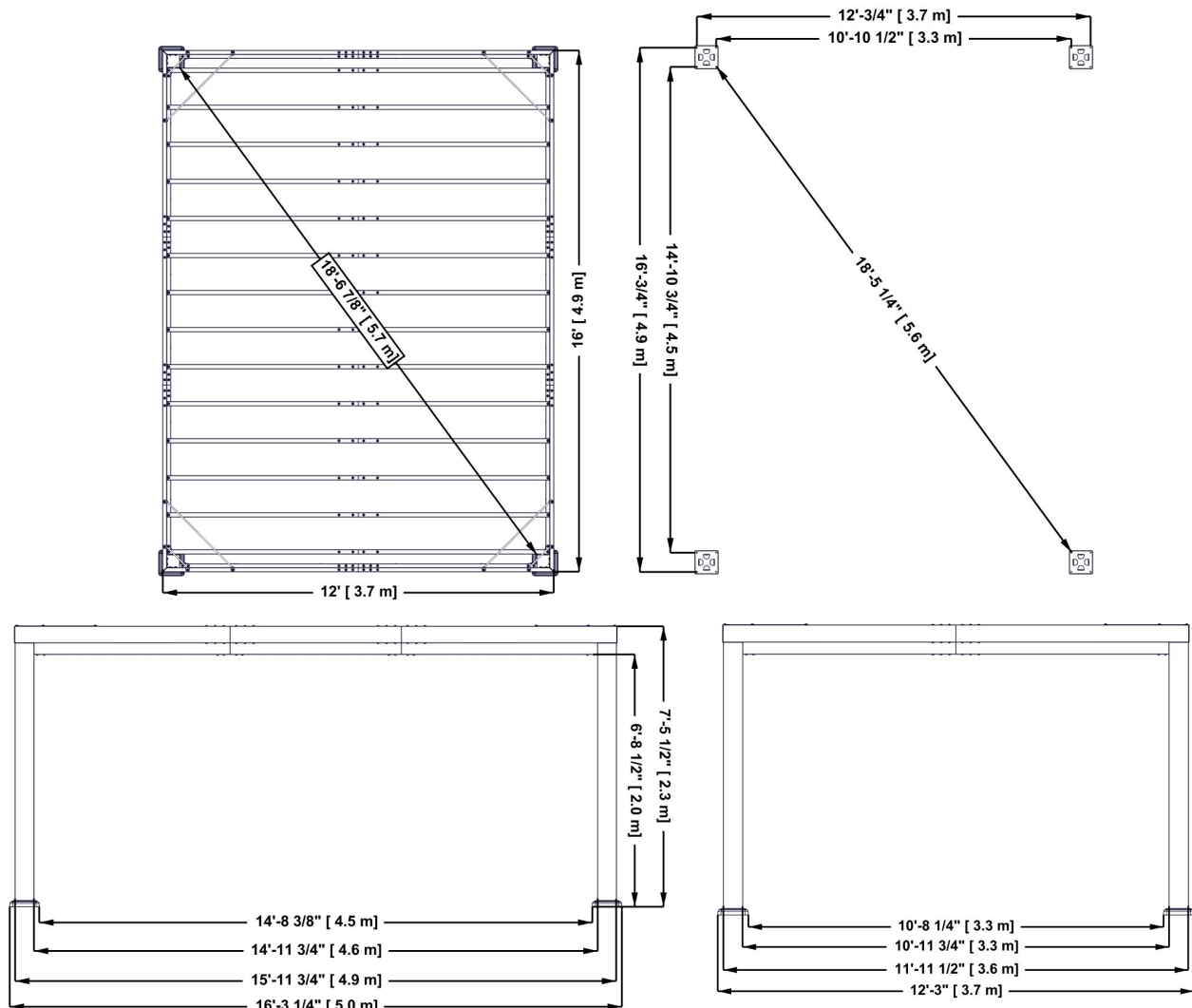
Post mounts are provided with your structure which allows you to permanently install your structure to a pre-existing or new wood or concrete surface.

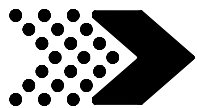
- The hardware to attach the post mounts to the structure is included.
- The hardware to mount the structure permanently to a concrete surface is NOT included.
- The hardware to mount the structure permanently to a wood deck is NOT included and will need to be purchased separately. **You must ensure there is ample structural support under the deck before permanently attaching.**

Metal Roof Assembly

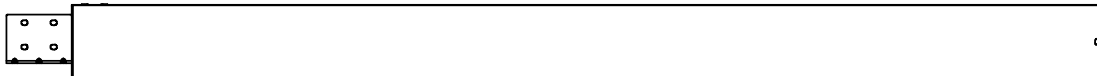
Remove plastic covering from metal roof panels before installing each piece. Place roofing materials on a nonabrasive, flat surface before and after assembly as it could bend, dent or scratch

Overall Dimensions

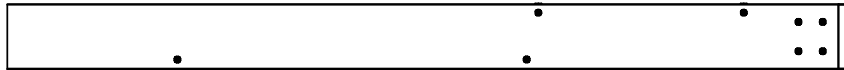




Metal Components (Not to Scale)



A | **POST-A4M01436**
(x4) | 6"X6"X89" (152x152x2261)



B1 | **JOIST END-A4M01441**
(x2) | 1 3/8"X5 1/4"X68 5/8" (36x134x1743)



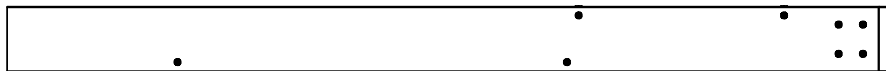
B2 | **JOIST END-A4M01442**
(x2) | 1 3/8"X5 1/4"X68 5/8" (36x134x1743)



C1 | **JOIST END-A4M01444**
(x2) | 1 3/8"X5 1/4"X62 1/2" (36x134x1587)



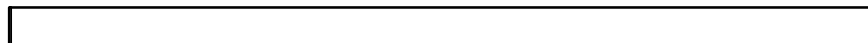
C2 | **JOIST END-A4M01445**
(x2) | 1 3/8"X5 1/4"X62 1/2" (36x134x1587)



D1 | **JOIST END-A4M01447**
(x2) | 1 3/8"X5 1/4"X71 7/8" (36x134x1826)



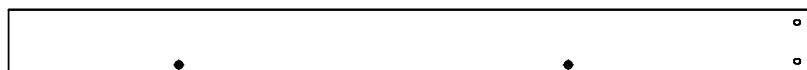
D2 | **JOIST END-A4M01448**
(x2) | 1 3/8"X5 1/4"X71 7/8" (36x134x1826)



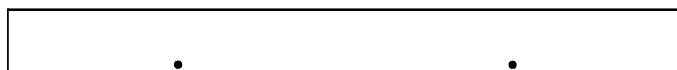
F | **JOIST END-A4M01449**
(x28) | 1 5/8"x3 1/8"x70 1/2" (41x81x1790)



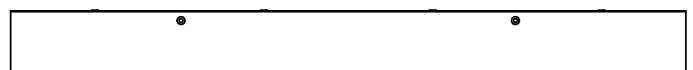
E1 | **JOIST END-A4M01456**
(x2) | 1 3/8"X5 1/4"X65 3/4" (36x134x1670)



E2 | **JOIST END-A4M01457**
(x2) | 1 3/8"X5 1/4"X65 3/4" (36x134x1670)



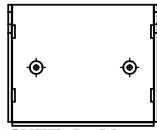
B3 | **JOIST-A4M01443**
(x2) | 1 3/8"X5 1/4"X54 5/8" (36x134x1387)



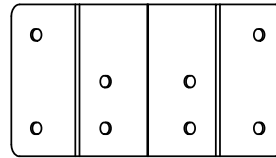
C3 | **JOIST-A4M01446**
(x2) | 1 3/8"X5 1/4"X54 5/8" (36x134x1387)



Metal Components (Not to Scale)



G1 | BRACKET-A4M01452
(x8) | 1 1/4"X4 1/8"X5" (32x104x128)



G2 | W BRACKET-A4M01453
(x4) | 3"X5 1/8"X9 1/8" (78x130x233)



H1 | SPLICE BRACKET-A4M01437
(x4) | 1 1/4"X5 1/8"X15 3/4" (33x131x400)



H2 | SPLICE BRACKET-A4M01438
(x14) | 1 1/2"X3"X15 3/4" (37x77x400)



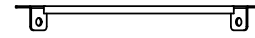
H3 | SPLICE BRACKET-A4M01439
(x4) | 1 1/4"X5 1/8"X19 5/8" (33x131x500)



H4 | SPLICE BRACKET-A4M01440
(x4) | 1 1/4"X5 1/8"X11" (33x130x280)

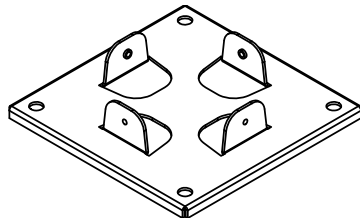


L | ANGLED ROD-A4M01450
(x4) | 1 1/4"X1 1/2"X36 3/8" (33x38x924)

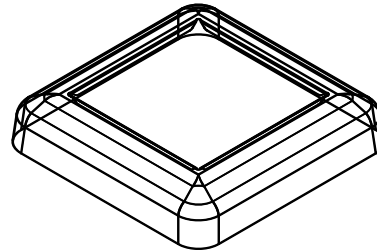


M | ANGLED ROD-A4M01451
(x4) | 1 1/4"X1 1/2"X12 7/8" (33x38x327)

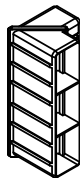
Accessory Components (Not to Scale)



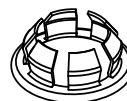
P1 | A4M01454
(x4) | POST FOOT



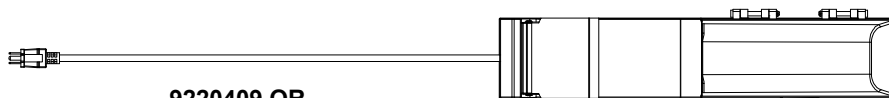
P2 | A4M01455
(x4) | POST FOOT COVER



N1 | A6P00493
(x4) | L PLUG



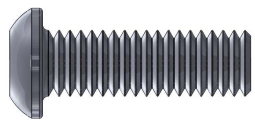
N2 | A4M01352
(x20) | HOLE COVER



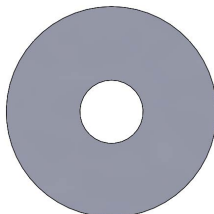
9220409 OR 9205413 | ELECTRICAL ENCLOSURE
(x1)



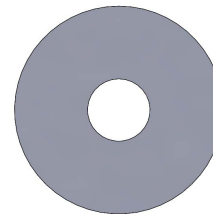
Hardware Components



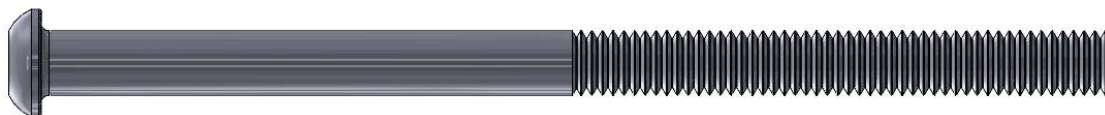
H101101 | TORX PAN HEAD
(396) | 1/4-20x3/4"



H101053 | STEEL WASHER
(424) | 6x20



H101054 | SEALANT WASHER
(424)



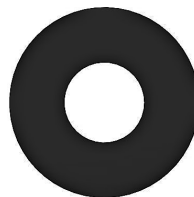
H101102 | TORX PAN HEAD
(28) | 1/4-20x4"



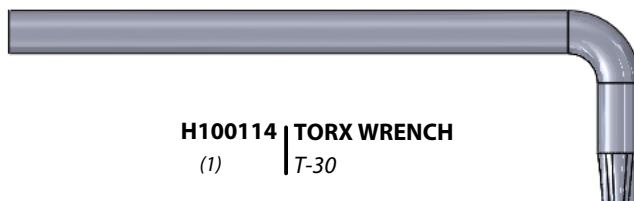
H101103 | TORX SOCKET SCREW
(20) | 1/4-20



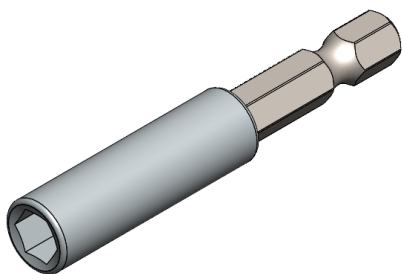
H100120 | CONCRETE ANCHOR
(16) | 1/4x2



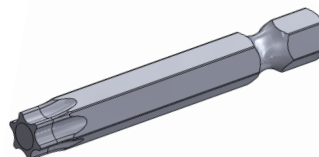
H100630 | FLAT WASHER
(16) | BLK 8x19



H100114 | TORX WRENCH
(1) | T-30



H101100 | BIT EXTENSION
(1)



H100147 | TORX BIT
(1) | T-30

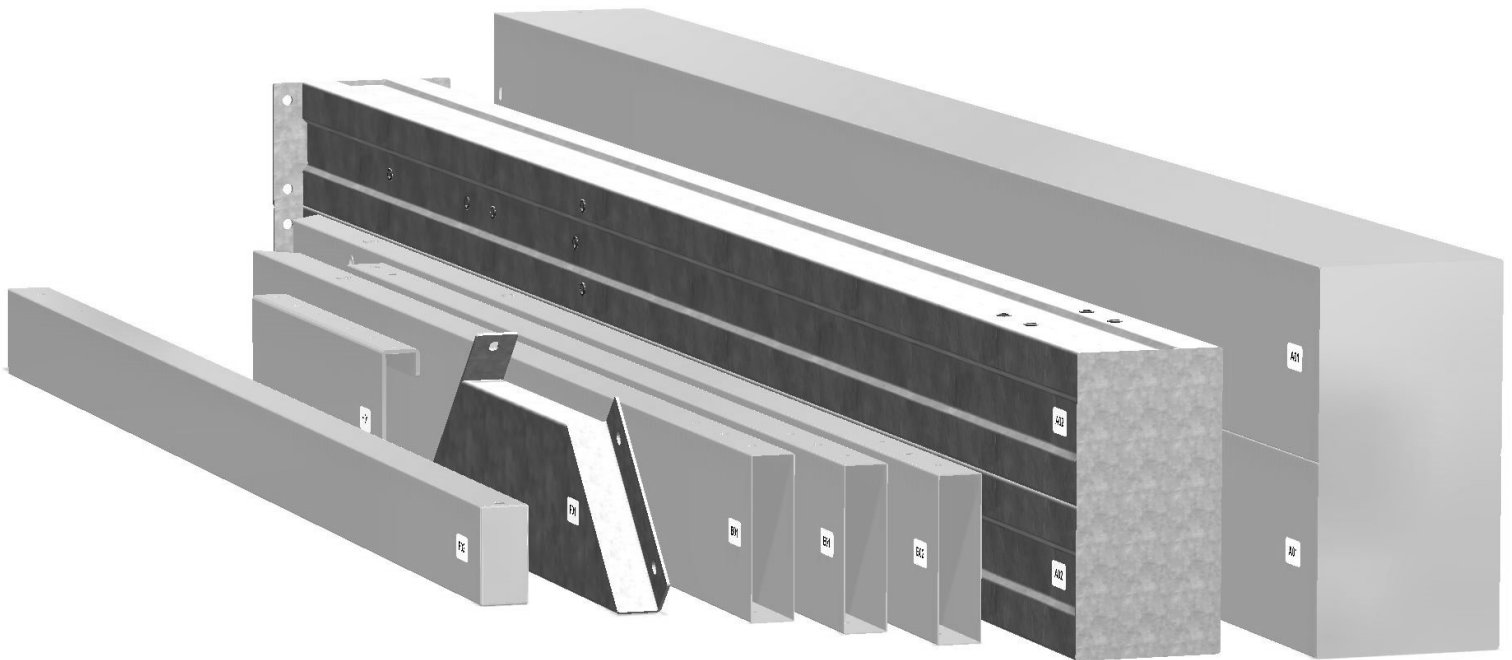
PRE-ASSEMBLY STEP 1 - SORTING PARTS

It is critical for ease of assembly that you take the time to sort and organize the parts and hardware.

METAL PARTS:

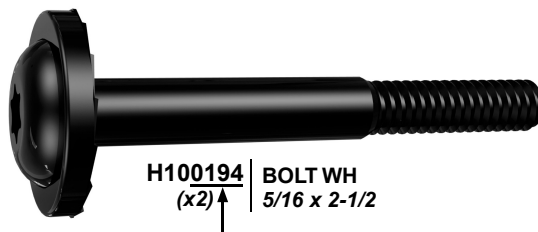
- Organize metal parts by the three-digit, alpha-numeric number stamped on each part (ex. P01).
- If there are multiple parts with the same stamped number, stack those pieces together.
- Stamps can be found on the flat surface of the parts or on the end of the parts.
- Allow yourself plenty of room - the parts can take up a significant amount of space.

NOTE: CARTONS ARE NOT ORGANIZED BY PART NUMBER.



HARDWARE PARTS:

- We recommend that you have a separate table to organize the hardware.
- Hardware bags are printed with a seven-digit, alpha-numeric part number.
- You can organize your hardware by part number or group by hardware type (i.e. bolts, nuts, etc.).
- During assembly you only need to reference the last four digits of the number.



PRE-ASSEMBLY STEP 2 - TOOLS REQUIRED



Cordless Drill or
Electric Drill



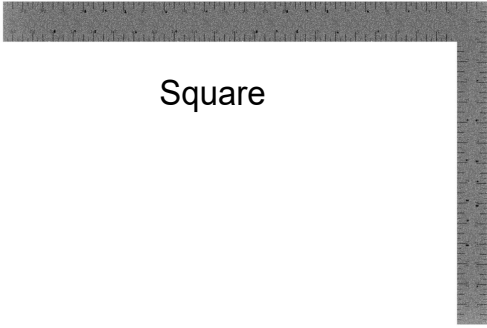
Drill Attachments:
Phillips Head



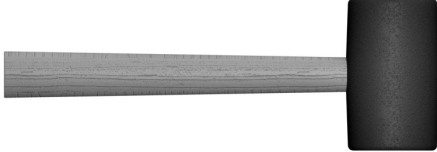
3/16" Concrete
Drill Bit



Phillips Screw Driver



Square



Rubber Mallet -
Optional



Tape Measure



Level 24"

PRE-ASSEMBLY STEP 3 - CHOOSE YOUR ASSEMBLY METHOD

There are several types of assembly instructions available to you.

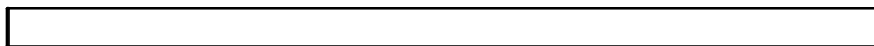
1. Printed Assembly Manual included with your set
2. BILT APP - 3D interactive instructions
3. Combination of the Printed Manual and BILT APP (Note: Step numbers can differ between the two methods)





PERGOLA ASSEMBLY

STEP 1



F | JOIST END-A4M01449
(x14) | 1 5/8"x3 1/8"x70 1/2" (41x81x1790)



H2 | SPLICE BRACKET-A4M01438
(x14) | 1 1/2"x3"x15 3/4" (37x77x400)



H101101 | TORX PAN HEAD
(56) | 1/4-20x3/4"



H101053 | STEEL WASHER
(56) | 6x20



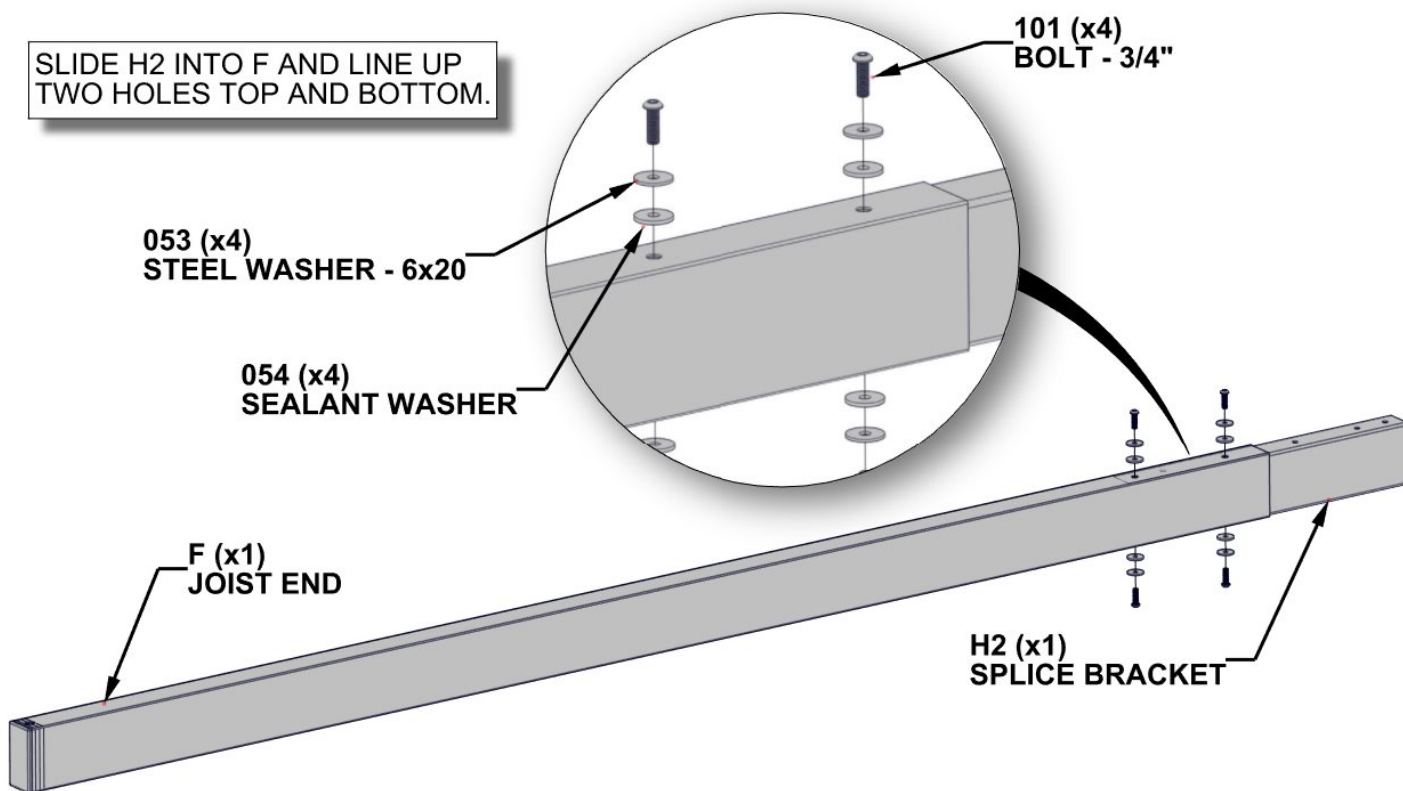
H101054 | SEALANT WASHER
(56)

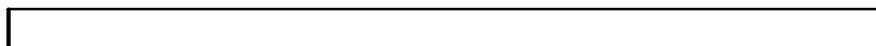
COMPLETE THIS STEP FOURTEEN TIMES.



DO NOT FULLY TIGHTEN BOLTS AT THIS STEP.

SLIDE H2 INTO F AND LINE UP TWO HOLES TOP AND BOTTOM.





F | JOIST END-A4M01449
(x14) | 1 5/8"x3 1/8"x70 1/2" (41x81x1790)



H101101 | TORX PAN HEAD
(56) | 1/4-20x3/4"



H101053 | STEEL WASHER
(56) | 6x20



H101054 | SEALANT WASHER
(56)

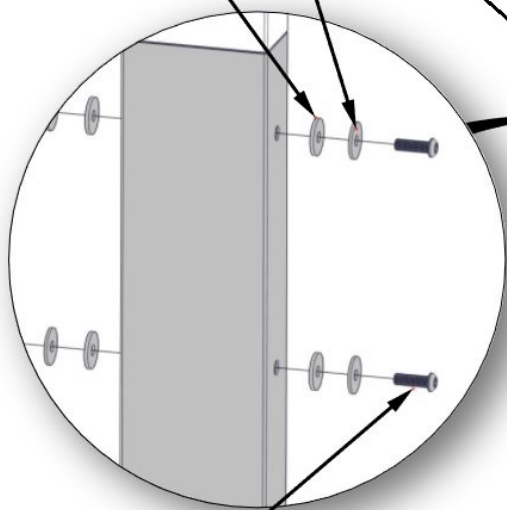
COMPLETE THIS STEP FOURTEEN TIMES.

SLIDE F ONTO SPLICE BRACKET AND STAND UP ASSEMBLY WITH PACKAGING CARDBOARD UNDERNEATH. GENTLY TAP ASSEMBLY ON CARDBOARD UNTIL GAP CLOSES THEN TIGHTEN ALL BOLTS ON JOIST.

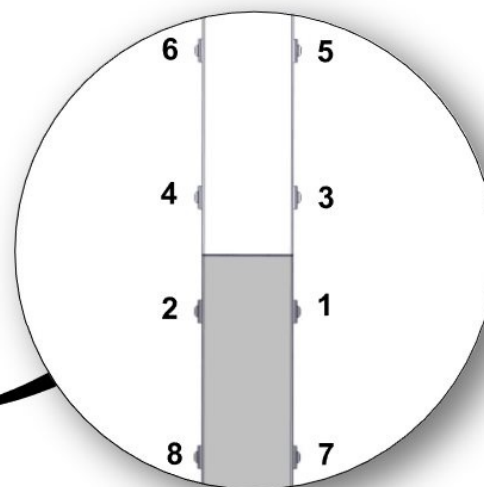
IT IS RECOMMENDED THAT BOLTS ARE FULLY TIGHTENED IN THIS ORDER.

**053 (x4)
STEEL WASHER - 6x20**

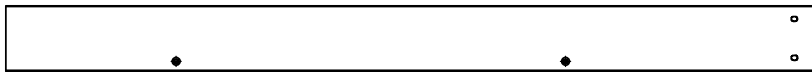
**054 (x4)
SEALANT WASHER**



**101 (x4)
BOLT - 3/4"**



**F (x1)
JOIST END**



E2 | JOIST END-A4M01457
(x2) | 1 3/8"X5 1/4"X65 3/4" (36x134x1670)



H1 | SPLICE BRACKET-A4M01437
(x2) | 1 1/4"X5 1/8"X15 3/4" (33x131x400)



H101101 | TORX PAN HEAD
(12) | 1/4-20x3/4"



H101053 | STEEL WASHER
(12) | 6x20

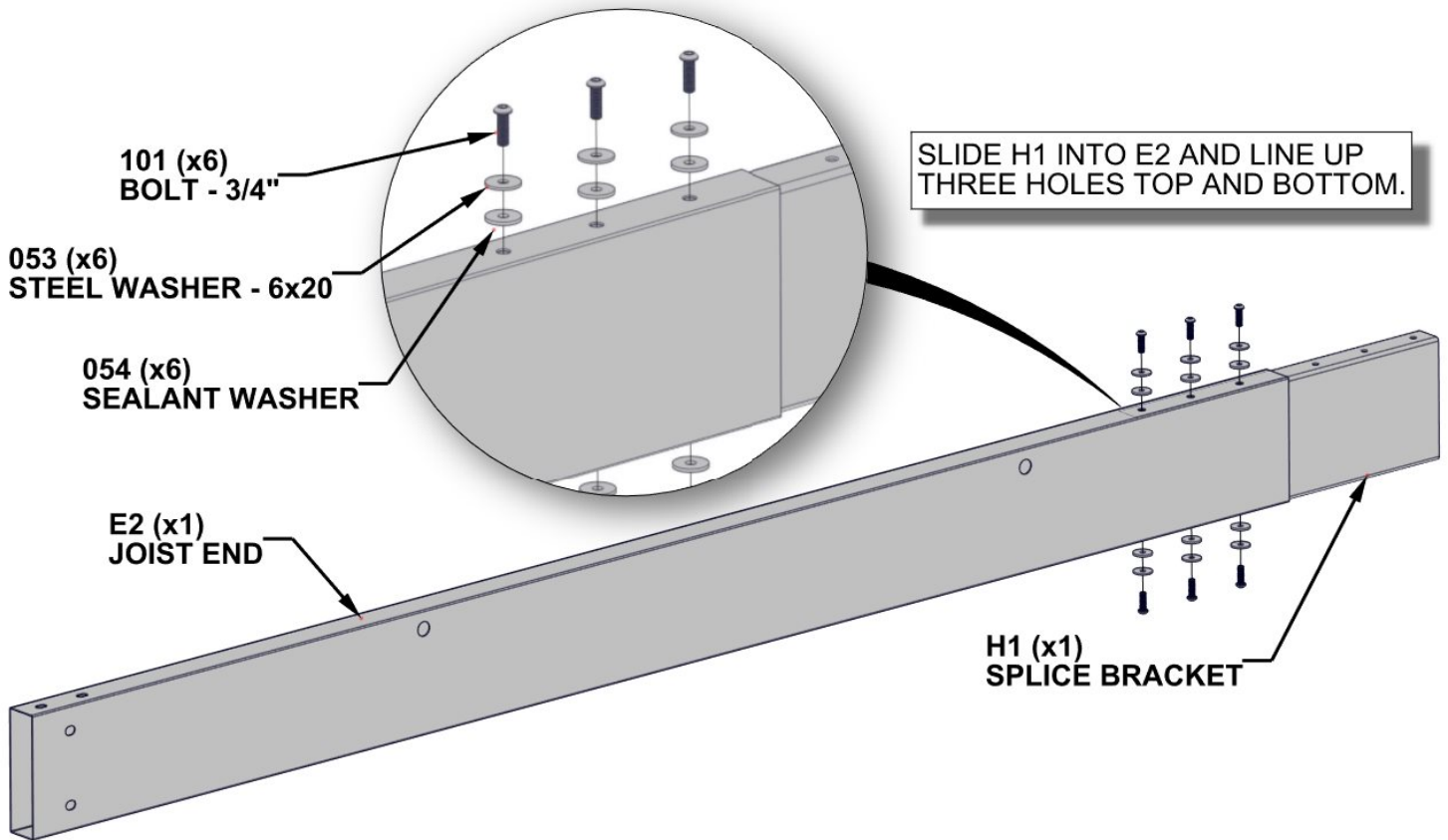


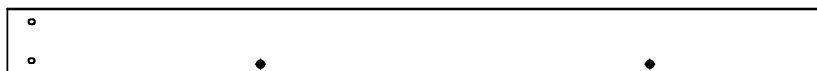
H101054 | SEALANT WASHER
(12)

COMPLETE THIS STEP TWICE.



DO NOT FULLY TIGHTEN BOLTS AT THIS STEP.





E1 | JOIST END-A4M01456
(x2) | 1 3/8"X5 1/4"X65 3/4" (36x134x1670)



H101101 | TORX PAN HEAD
(12) | 1/4-20x3/4"



H101053 | STEEL WASHER
(12) | 6x20



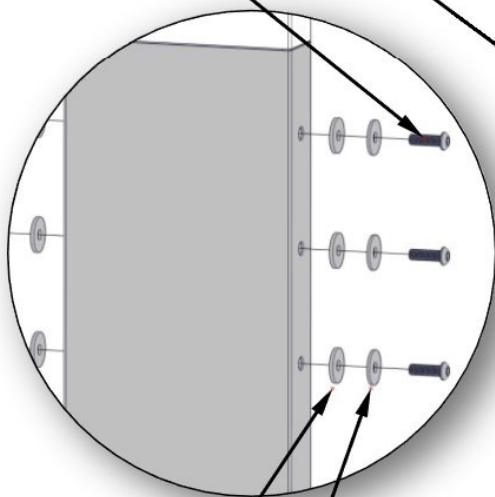
H101054 | SEALANT WASHER
(12)

COMPLETE THIS STEP TWICE.

SLIDE E1 ONTO SPLICE BRACKET AND STAND UP ASSEMBLY WITH PACKAGING CARDBOARD UNDERNEATH. GENTLY TAP ASSEMBLY ON CARDBOARD UNTIL GAP CLOSSES THEN TIGHTEN ALL BOLTS ON JOIST.

IT IS RECOMMENDED THAT BOLTS ARE FULLY TIGHTENED IN THIS ORDER.

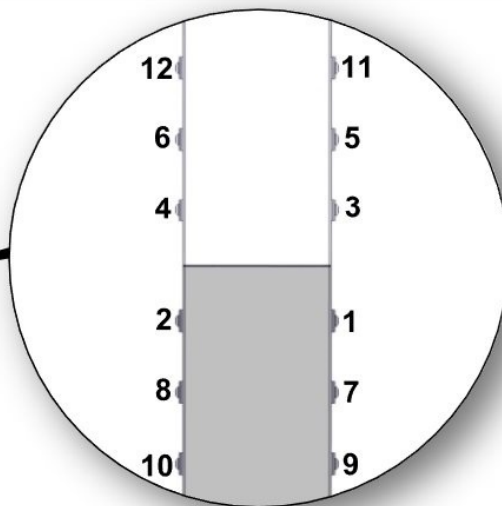
**101 (x6)
BOLT - 3/4"**



**054 (x6)
SEALANT WASHER**

**053 (x6)
STEEL WASHER - 6x20**

**E1 (x1)
JOIST END**



ENSURE HOLES ARE ORIENTED TO THE SAME SIDE ON BOTH ENDS.



D1 | JOIST END-A4M01447
(x2) | 3/8"X5 1/4"X7 7/8" (36x134x1826)



H1 | SPLICE BRACKET-A4M01437
(x2) | 1 1/4"X5 1/8"X15 3/4" (33x131x400)



H101101 | TORX PAN HEAD
(12) | 1/4-20x3/4"



H101053 | STEEL WASHER
(12) | 6x20

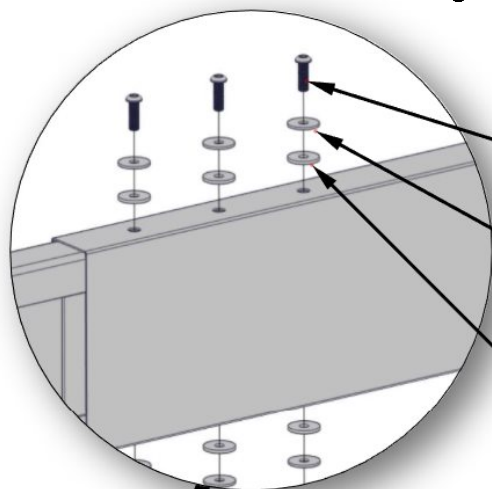


H101054 | SEALANT WASHER
(12)

COMPLETE THIS STEP TWICE.



DO NOT FULLY TIGHTEN BOLTS AT THIS STEP.



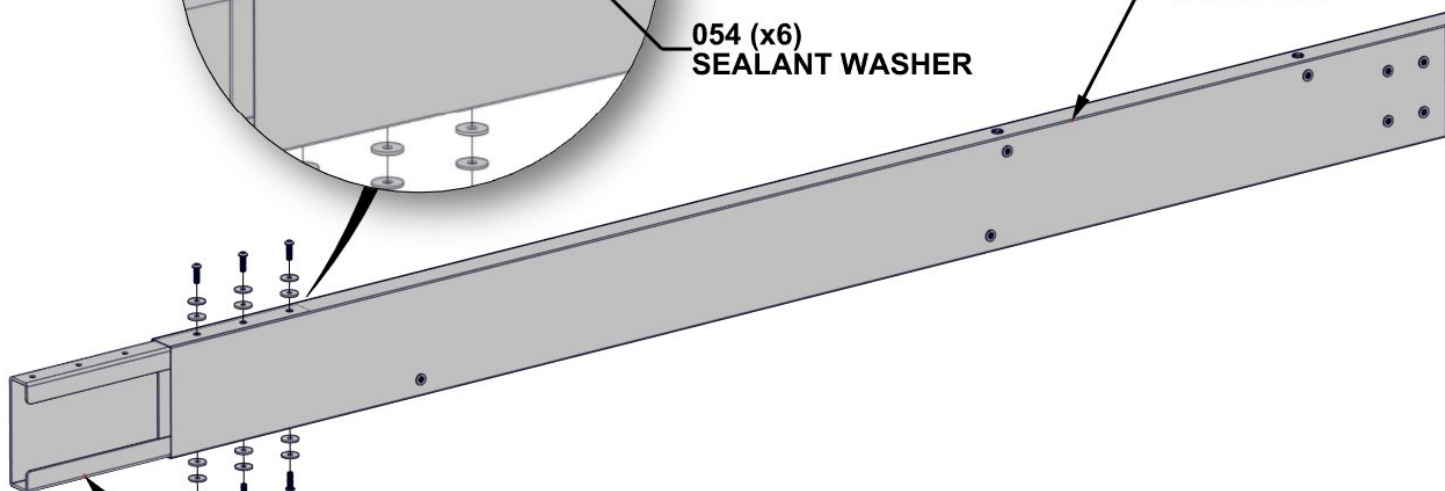
**101 (x6)
BOLT - 3/4"**

**053 (x6)
STEEL WASHER - 6x20**

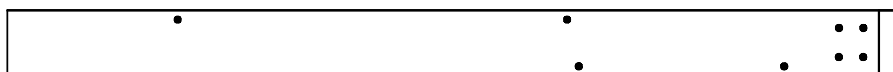
**054 (x6)
SEALANT WASHER**

**SLIDE H1 INTO D1 AND LINE UP
THREE HOLES TOP AND BOTTOM.**

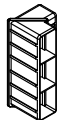
**D1 (x1)
JOIST END**



**H1 (x1)
SPLICE BRACKET**



D2 | JOIST END-A4M01448
(x2) | 1 3/8"X5 1/4"X71 7/8" (36x134x1826)



N1 | A6P00493
(x4) | L PLUG



H101101 | TORX PAN HEAD
(12) | 1/4-20x3/4"



H101053 | STEEL WASHER
(12) | 6x20



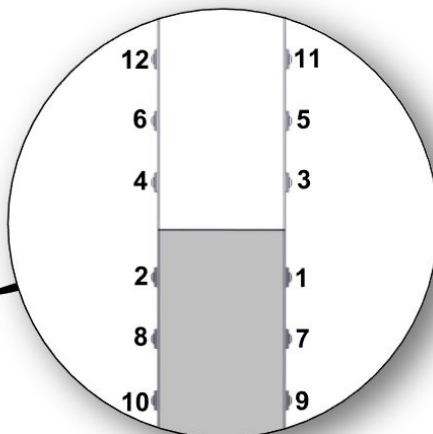
H101054 | SEALANT WASHER
(12)

COMPLETE THIS STEP TWICE.

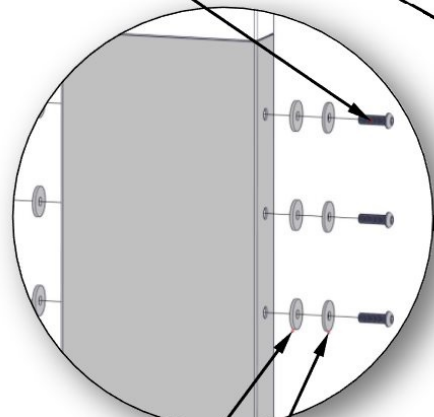


SLIDE D2 ONTO SPLICE BRACKET AND STAND UP ASSEMBLY WITH PACKAGING CARDBOARD UNDERNEATH. GENTLY TAP ASSEMBLY ON CARDBOARD UNTIL GAP CLOSES THEN TIGHTEN ALL BOLTS ON JOIST.

IT IS RECOMMENDED THAT BOLTS ARE FULLY TIGHTENED IN THIS ORDER.



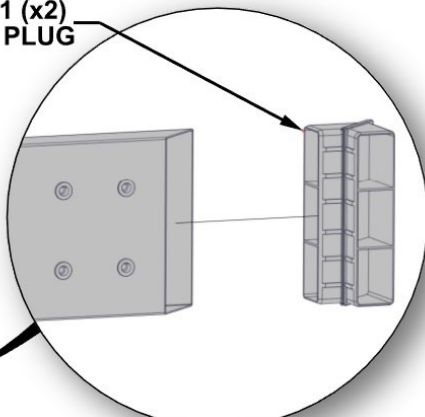
101 (x6)
BOLT - 3/4"



ENSURE THAT HOLES ARE ORIENTED TO THE SAME SIDE.

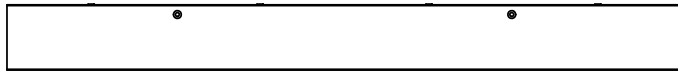
054 (x6)
SEALANT WASHER
053 (x6)
STEEL WASHER - 6x20

N1 (x2)
L PLUG



D2 (x1)
JOIST END

ONCE BOLTS ARE FULLY TIGHTENED, LAY THE ASSEMBLY BACK DOWN FLAT. USING A RUBBER MALLET, TAP AN N1 INTO EACH END AS SHOWN.



C3 | JOIST-A4M01446
(x2) | 1 3/8"X5 1/4"X54 5/8" (36x134x1387)



H4 | SPLICE BRACKET-A4M01440
(x4) | 1 1/4"X5 1/8"X11" (33x130x280)



H101101 | TORX PAN HEAD
(16) | 1/4-20x3/4"



H101053 | STEEL WASHER
(16) | 6x20

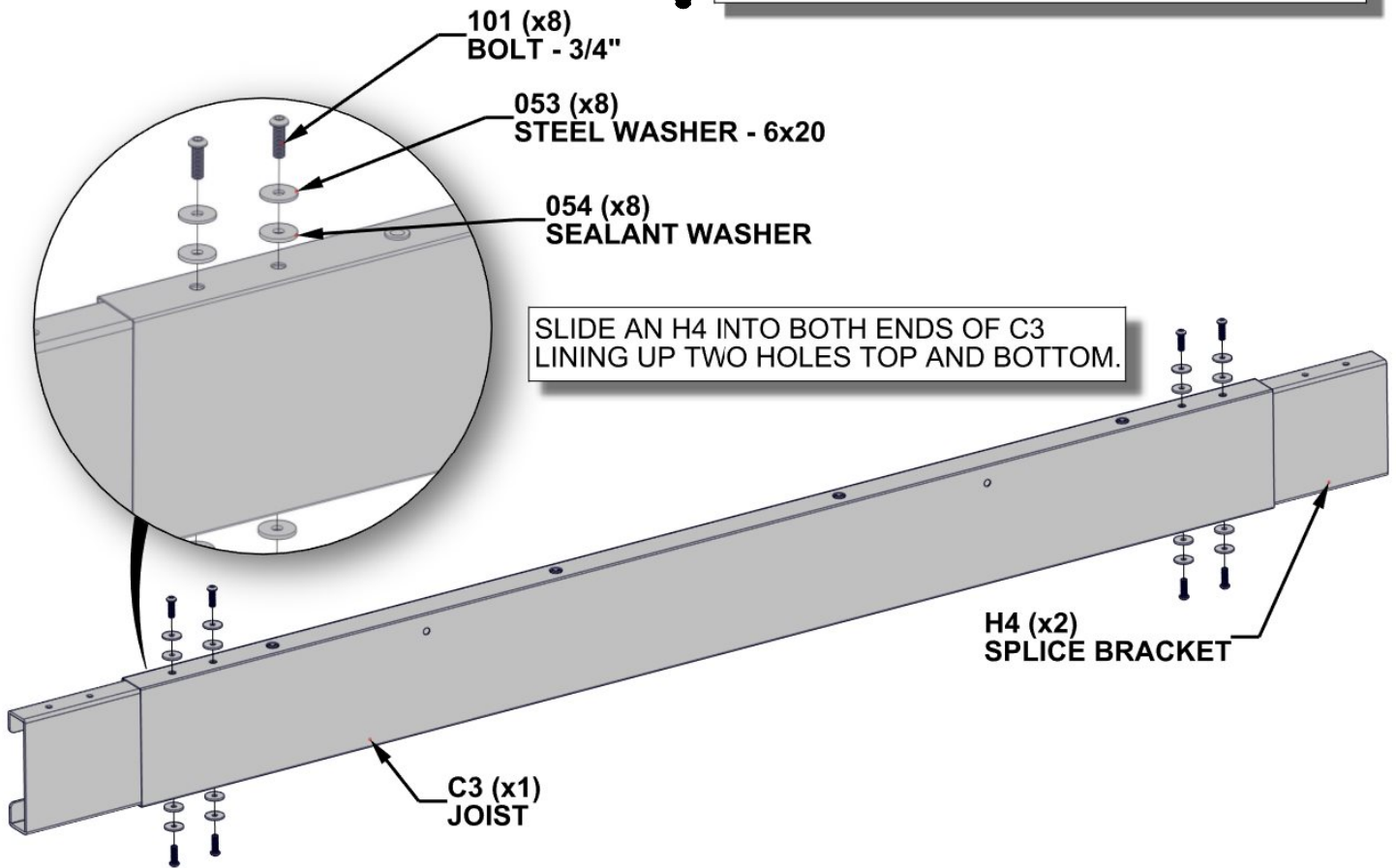


H101054 | SEALANT WASHER
(16)

COMPLETE THIS STEP TWICE.



DO NOT FULLY TIGHTEN BOLTS AT THIS STEP.



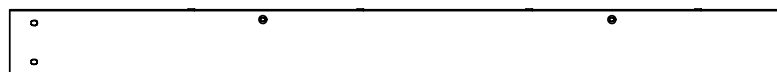


PERGOLA ASSEMBLY

STEP 8



C1 | JOIST END-A4M01444
(x2) | 1 3/8"X5 1/4"X62 1/2" (36x134x1587)



C2 | JOIST END-A4M01445
(x2) | 1 3/8"X5 1/4"X62 1/2" (36x134x1587)



H101101 | TORX PAN HEAD
(16) | 1/4-20x3/4"

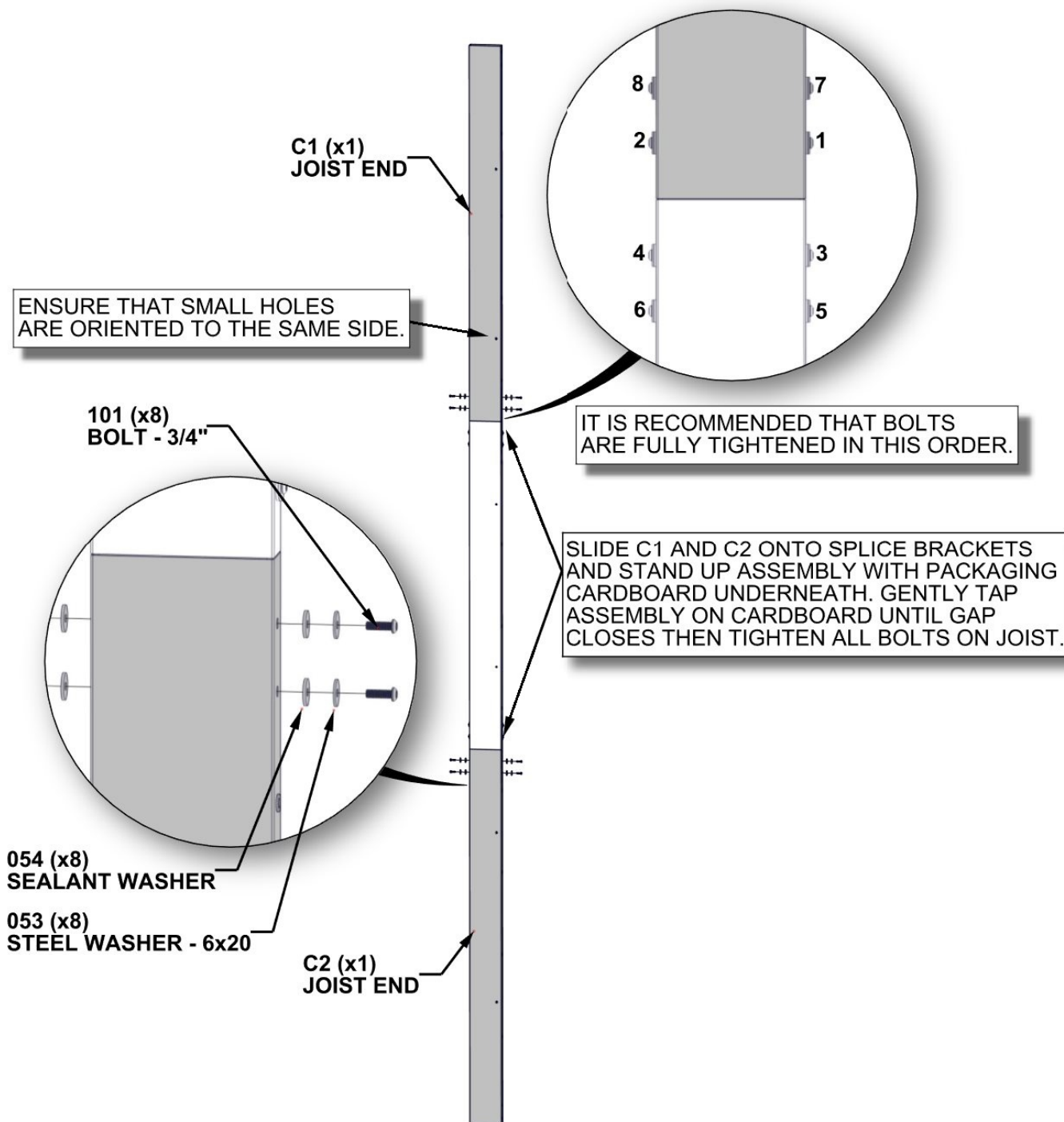


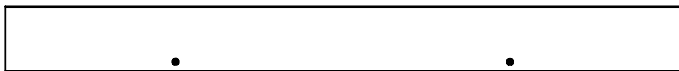
H101053 | STEEL WASHER
(16) | 6x20



H101054 | SEALANT WASHER
(16)

COMPLETE THIS STEP TWICE.





B3 | **JOIST-A4M01443**
(x2) | 1 3/8"X5 1/4"X54 5/8" (36x134x1387)



H3 | **SPLICE BRACKET-A4M01439**
(x4) | 1 1/4"X5 1/8"X19 5/8" (33x131x500)



H101101 | **TORX PAN HEAD**
(24) | 1/4-20x3/4"



H101053 | **STEEL WASHER**
(24) | 6x20



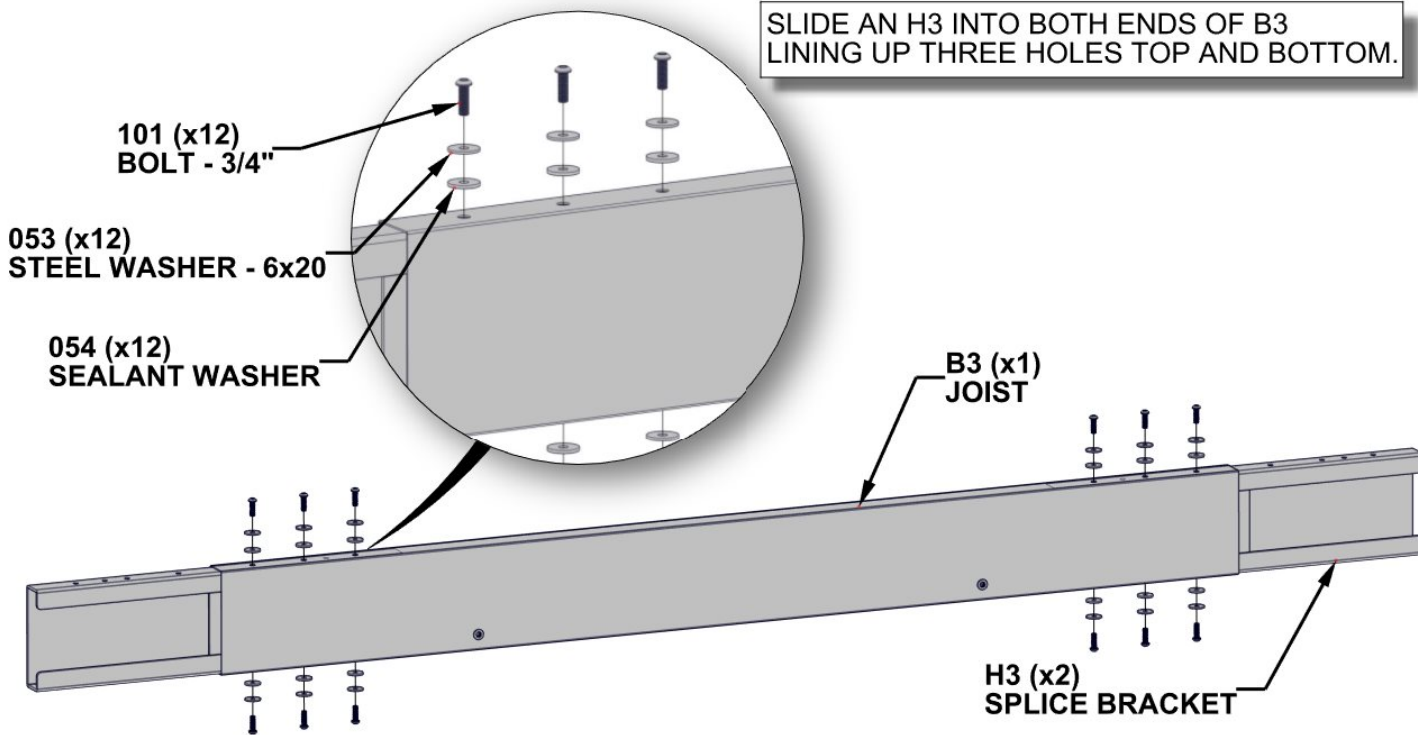
H101054 | **SEALANT WASHER**
(24)

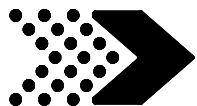
COMPLETE THIS STEP TWICE.



DO NOT FULLY TIGHTEN BOLTS AT THIS STEP.

**SLIDE AN H3 INTO BOTH ENDS OF B3
LINING UP THREE HOLES TOP AND BOTTOM.**





B1 | JOIST END-A4M01441
(x2) | 1 3/8"X5 1/4"X68 5/8" (36x134x1743)



B2 | JOIST END-A4M01442
(x2) | 1 3/8"X5 1/4"X68 5/8" (36x134x1743)



H101101 | TORX PAN HEAD
(24) | 1/4-20x3/4"

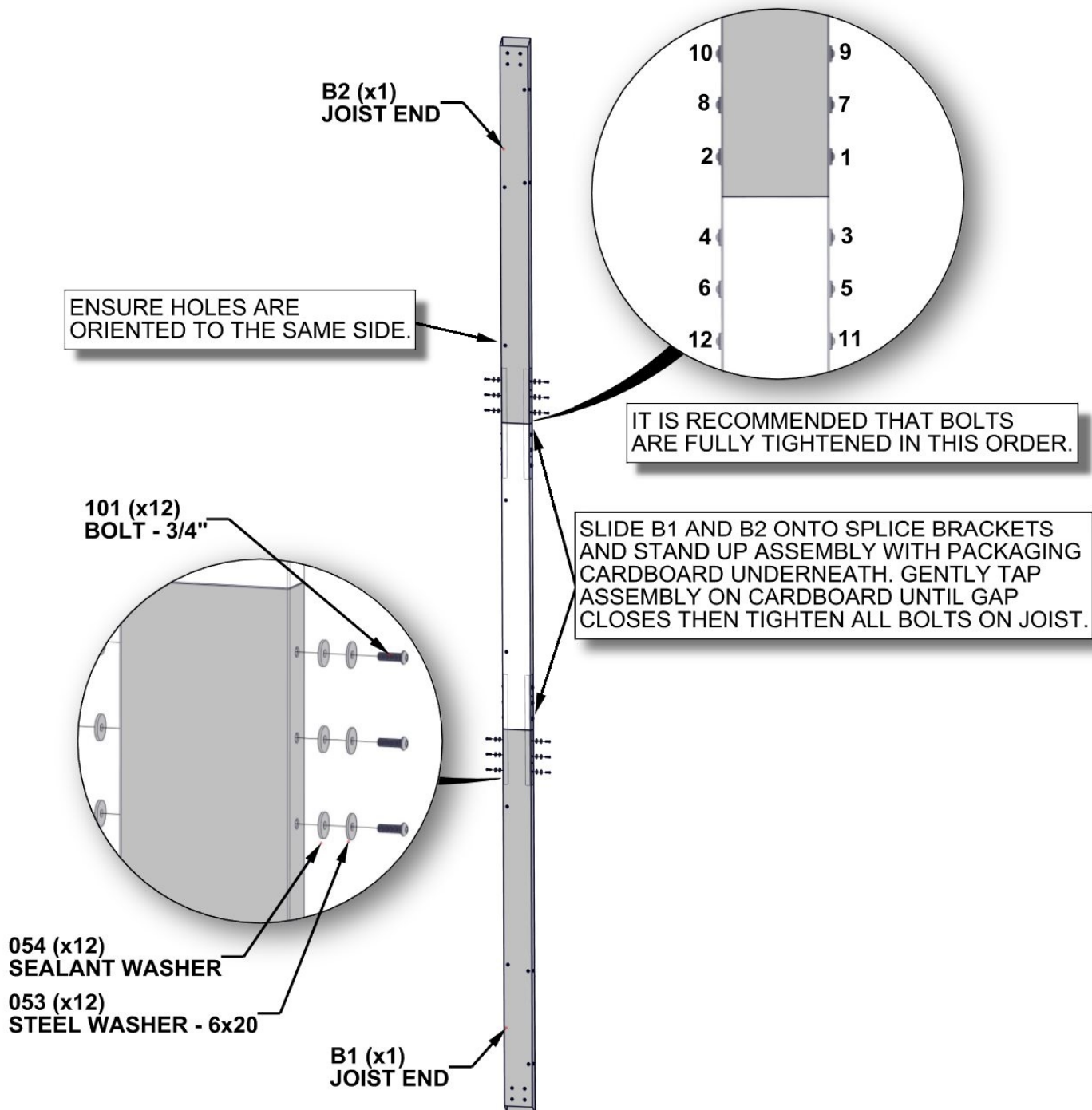


H101053 | STEEL WASHER
(24) | 6x20



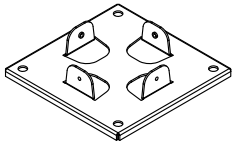
H101054 | SEALANT WASHER
(24)

COMPLETE THIS STEP TWICE.

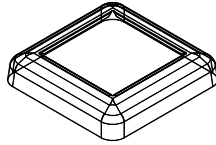




A | **POST-A4M01436**
(x4) | 6"X6"X89" (152x152x2261)



P1 | **A4M01454**
(x4) | **POST FOOT**



P2 | **A4M01455**
(x4) | **POST FOOT COVER**



H101101 | **TORX PAN HEAD**
(16) | 1/4-20x3/4"



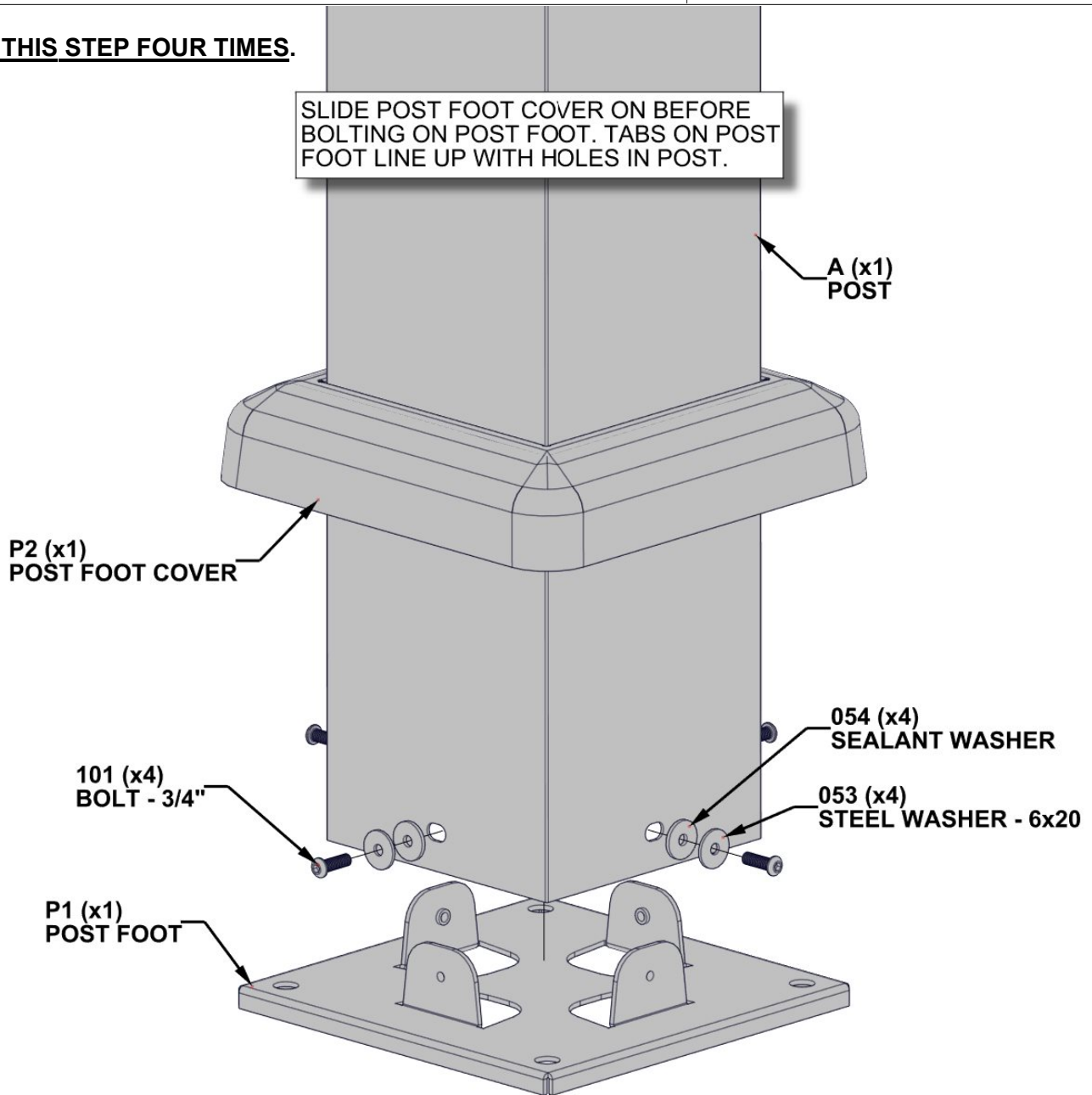
H101053 | **STEEL WASHER**
(16) | 6x20

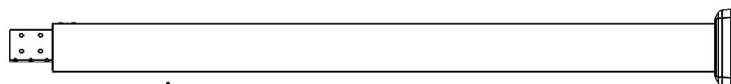


H101054 | **SEALANT WASHER**
(16)

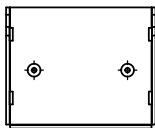
COMPLETE THIS STEP FOUR TIMES.

SLIDE POST FOOT COVER ON BEFORE BOLTING ON POST FOOT. TABS ON POST FOOT LINE UP WITH HOLES IN POST.





(4) POST ASSEMBLY - FROM STEP 11



G1 BRACKET-A4M01452
(x8) | 1 1/4"X4 1/8"X5" (32x104x128)



H101101 TORX PAN HEAD
(16) | 1/4-20x3/4"



H101053 STEEL WASHER
(16) | 6x20



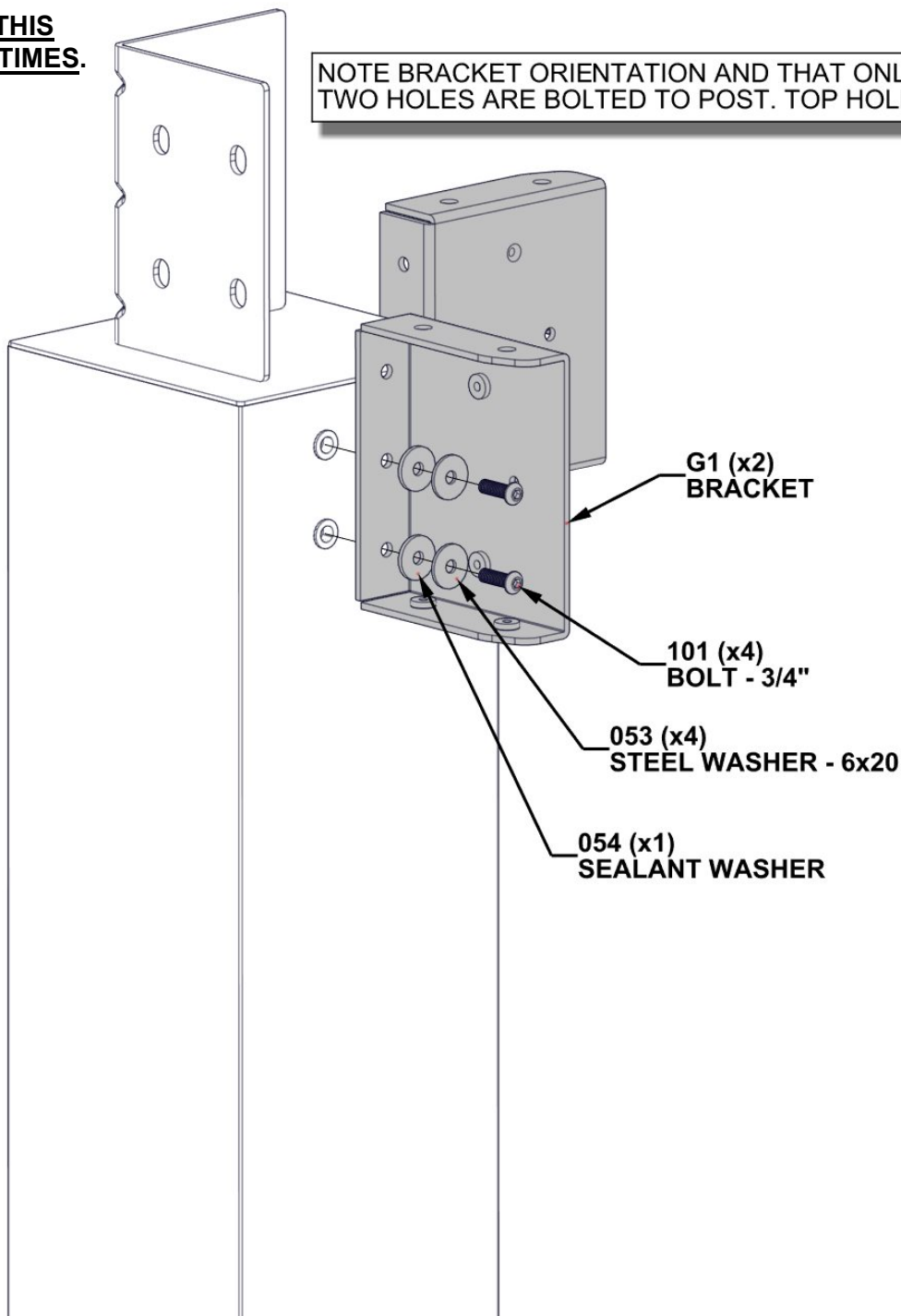
H101054 SEALANT WASHER
(16)

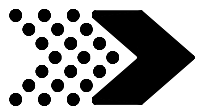


CORRECT ORIENTATION AND ATTACHMENT IS CRITICAL FOR LATER STEPS.

COMPLETE THIS STEP FOUR TIMES.

NOTE BRACKET ORIENTATION AND THAT ONLY BOTTOM TWO HOLES ARE BOLTED TO POST. TOP HOLE IS LEFT OPEN.





(2) INNER END JOIST ASSEMBLY - FROM STEPS 3 & 4



H101101 TORX PAN HEAD
(16) 1/4-20x3/4"



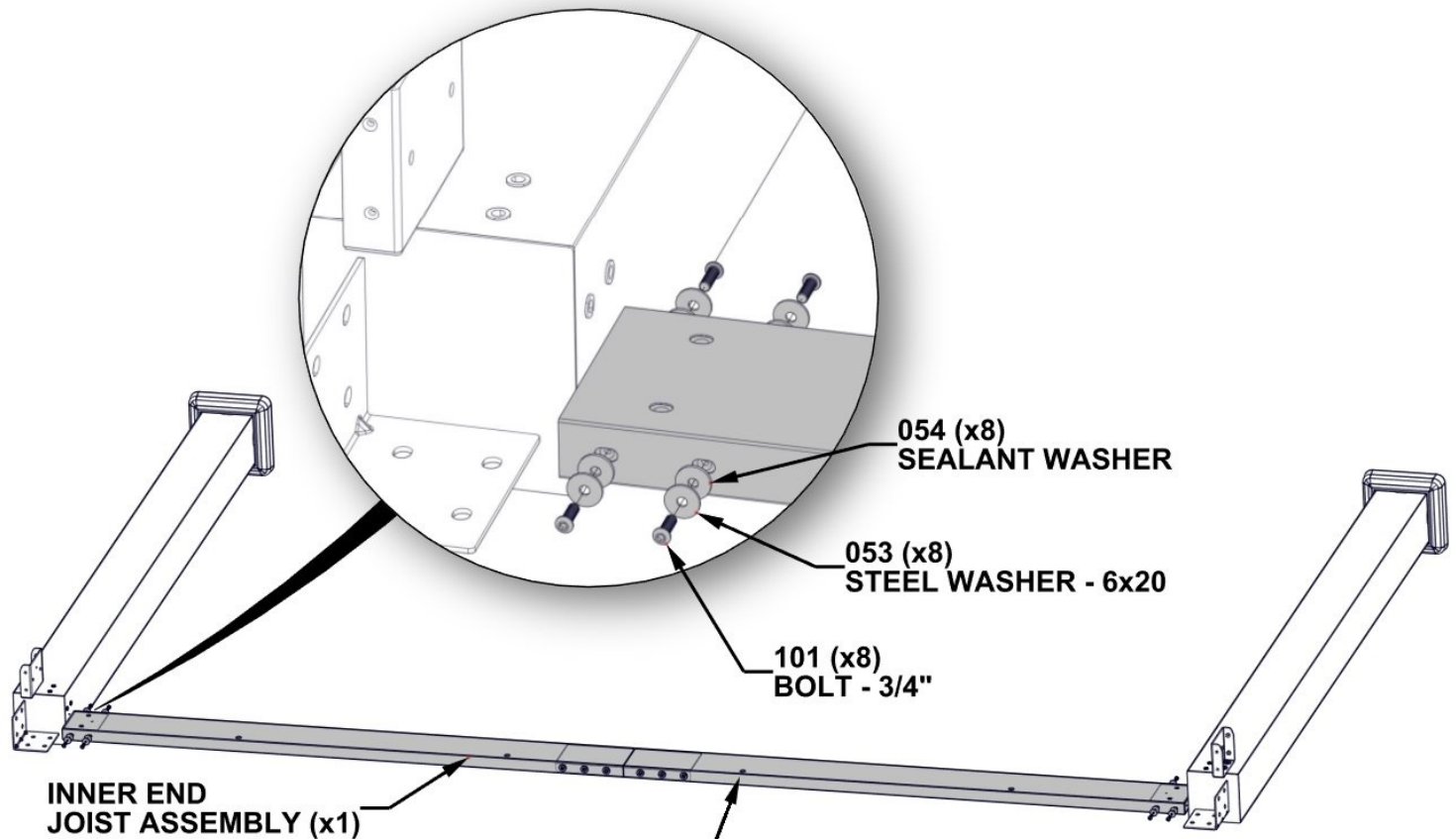
H101053 STEEL WASHER
(16) 6x20



H101054 SEALANT WASHER
(16)

COMPLETE THIS STEP TWICE.

DO NOT FULLY TIGHTEN BOLTS AT THIS STEP.



ENSURE CORRECT HOLE ORIENTATION WITH HOLES UP AND LARGER HOLES ON JOIST FACING IN.



(2) INNER SIDE JOIST ASSEMBLY - FROM STEPS 7 & 8



H101101 TORX PAN HEAD
(12) 1/4-20x3/4"

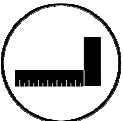


H101053 STEEL WASHER
(12) 6x20

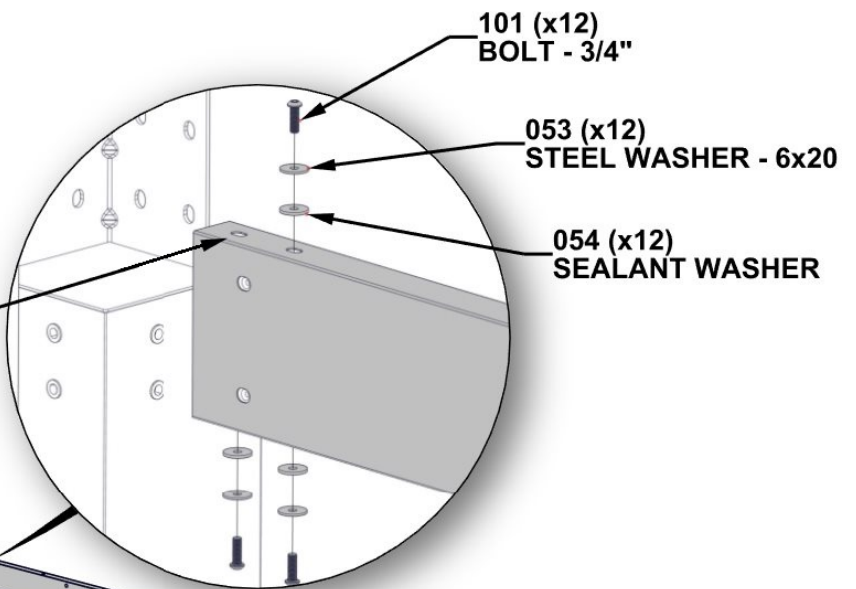


H101054 SEALANT WASHER
(12)

STAND UP ASSEMBLIES FROM PREVIOUS STEP. SLIDE JOIST ASSEMBLIES ONTO BRACKETS AND BOLT THEM ON. NOTE ORIENTATION AND BOLT PLACEMENT.



LEAVE BOLT HOLE OPEN.

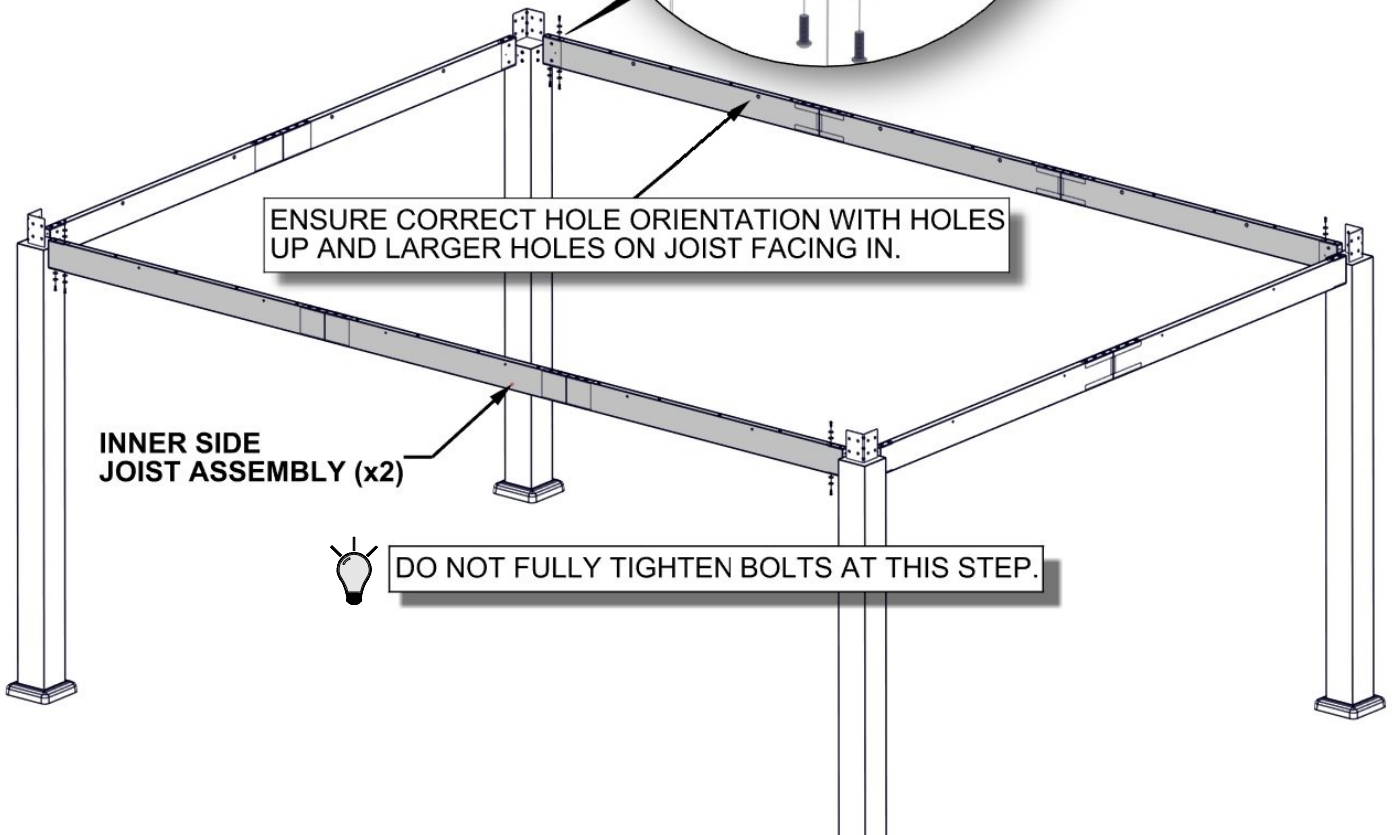


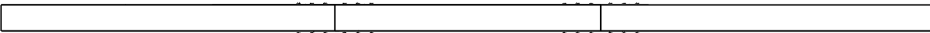
ENSURE CORRECT HOLE ORIENTATION WITH HOLES UP AND LARGER HOLES ON JOIST FACING IN.

INNER SIDE JOIST ASSEMBLY (x2)



DO NOT FULLY TIGHTEN BOLTS AT THIS STEP.





(2) OUTER SIDE JOIST ASSEMBLY - FROM STEPS 9 & 10



H101101 | TORX PAN HEAD
(16) | 1/4-20x3/4"



H101053 | STEEL WASHER
(16) | 6x20



H101103 | TORX SOCKET SCREW
(12) | 1/4-20



H101054 | SEALANT WASHER
(16)



HAND TIGHTEN BOTTOM BOLTS WITH WRENCH.

WHEN INSERTING 103 BOLTS USE THE ALLEN WRENCH TO GET THEM STARTED. THIS WILL REDUCE THE POTENTIAL OF DROPPING A BOLT INTO THE CHANNEL.



101 (x16)
BOLT - 3/4"

053 (x16)
STEEL WASHER - 6x20

054 (x16)
SEALANT WASHER

103 (x12)
BOLT - 1/4-20

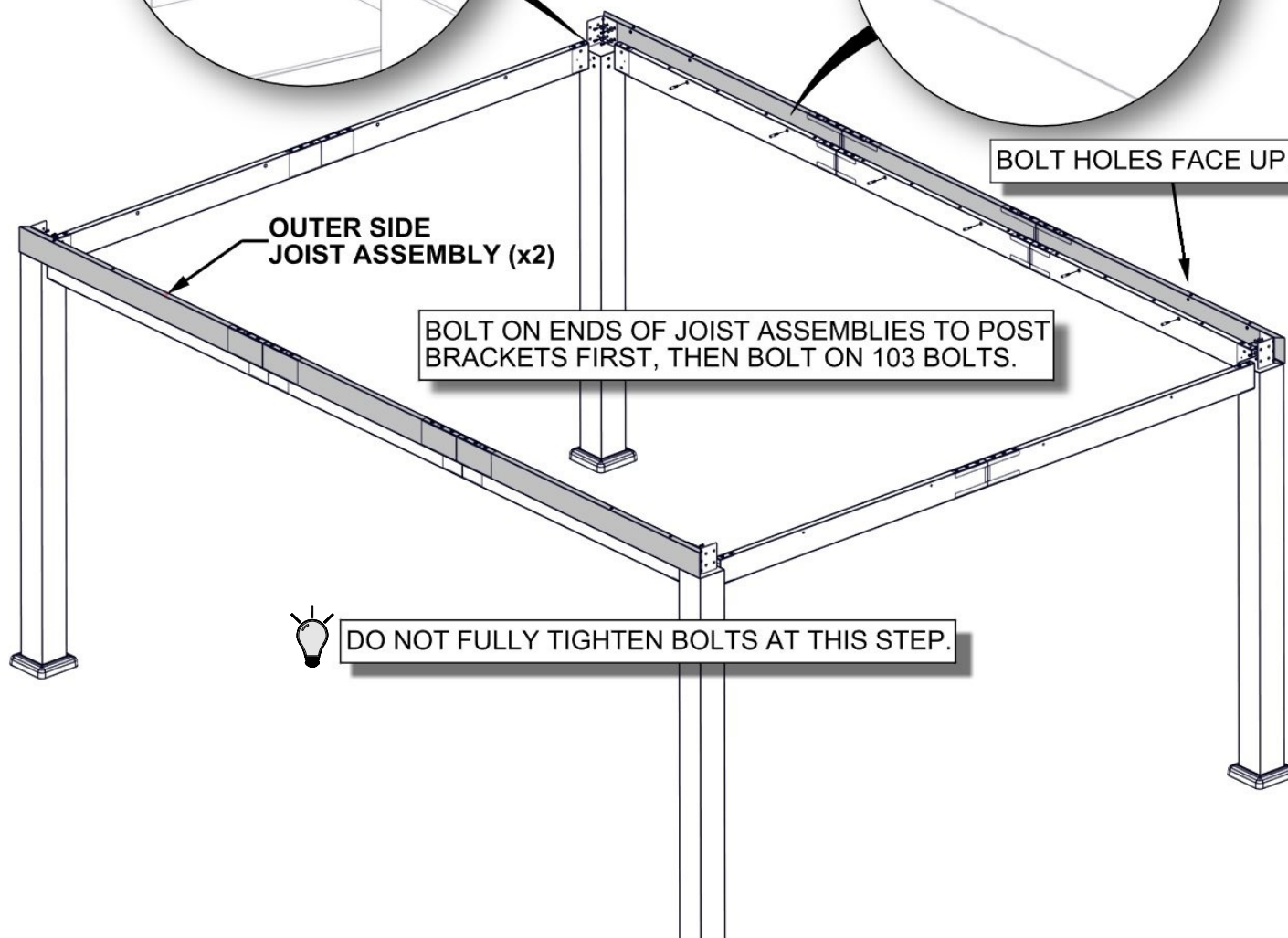
BOLT HOLES FACE UP.

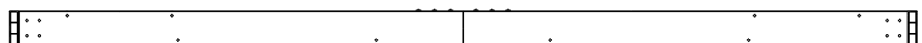
OUTER SIDE
JOIST ASSEMBLY (x2)

BOLT ON ENDS OF JOIST ASSEMBLIES TO POST BRACKETS FIRST, THEN BOLT ON 103 BOLTS.



DO NOT FULLY TIGHTEN BOLTS AT THIS STEP.





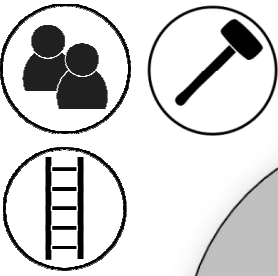
(2) OUTER END JOIST ASSEMBLY - FROM STEPS 5 & 6

H101101 | TORX PAN HEAD
(16) | 1/4-20x3/4"

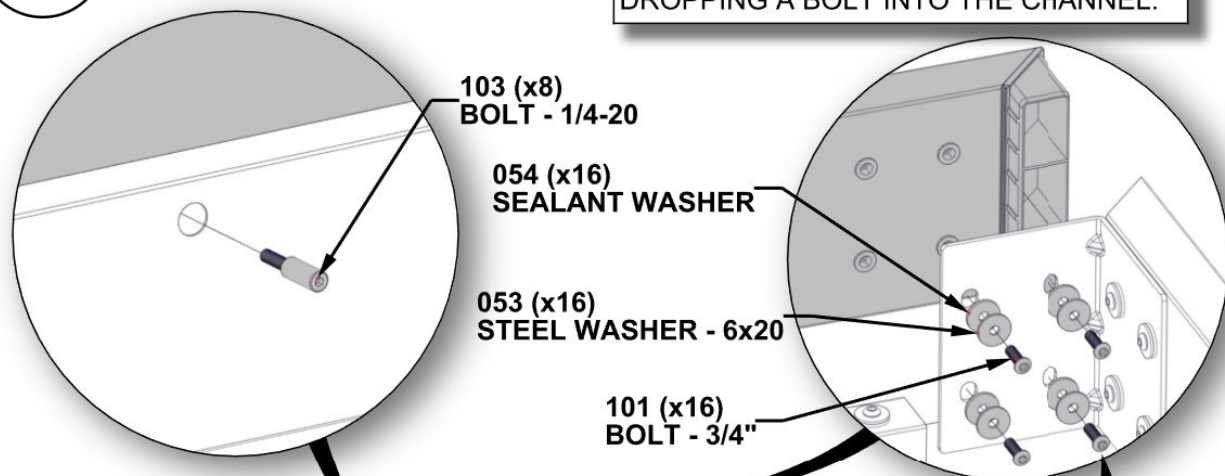
H101053 | STEEL WASHER
(16) | 6x20

H101103 | TORX SOCKET SCREW
(8) | 1/4-20

H101054 | SEALANT WASHER
(16)



WHEN INSERTING 103 BOLTS USE THE ALLEN WRENCH TO GET THEM STARTED. THIS WILL REDUCE THE POTENTIAL OF DROPPING A BOLT INTO THE CHANNEL.



103 (x8)
BOLT - 1/4-20

054 (x16)
SEALANT WASHER

053 (x16)
STEEL WASHER - 6x20

101 (x16)
BOLT - 3/4"

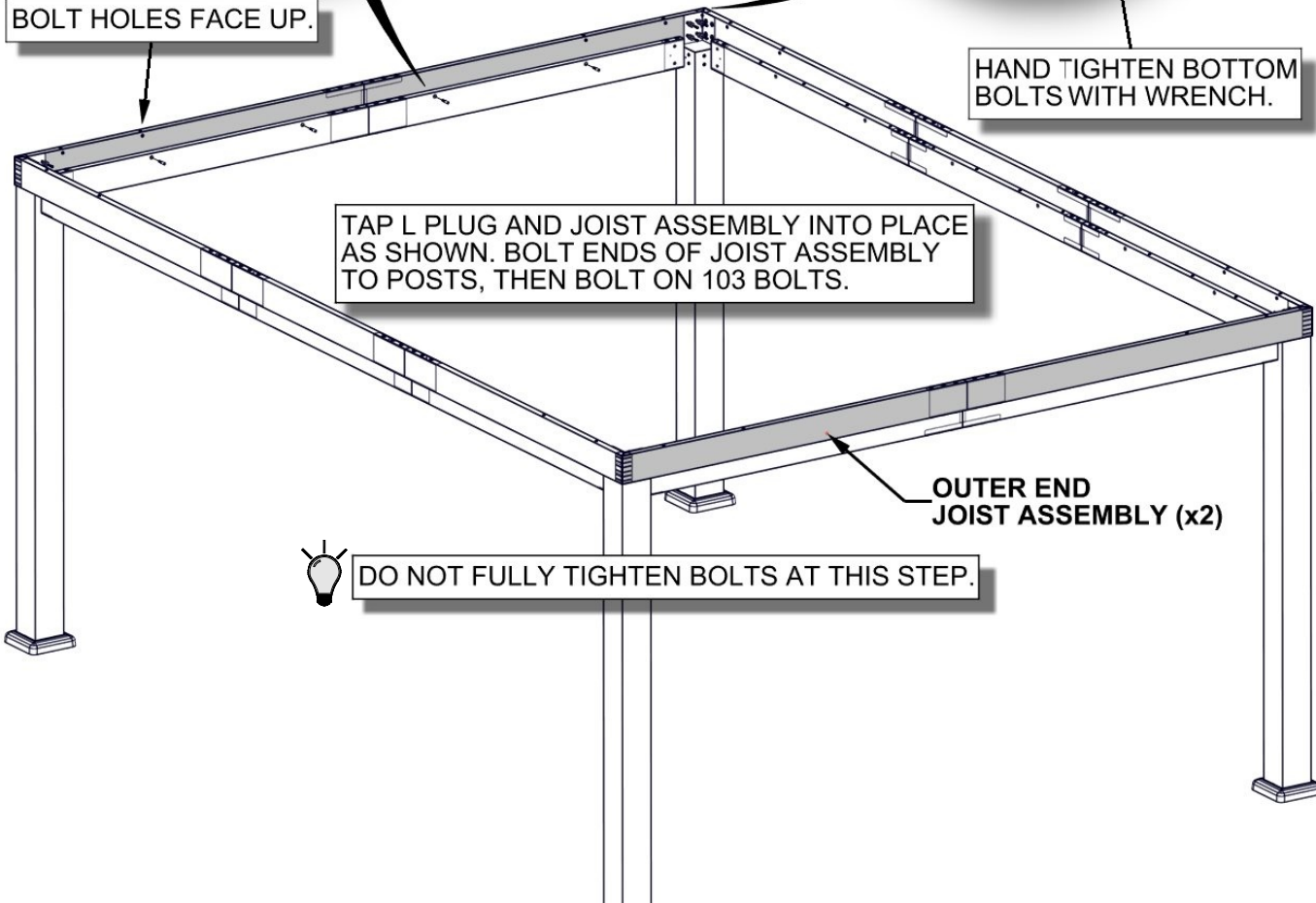
BOLT HOLES FACE UP.

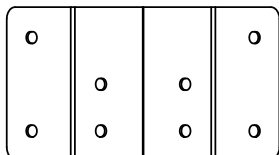
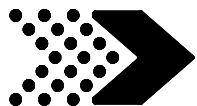
HAND TIGHTEN BOTTOM BOLTS WITH WRENCH.

TAP L PLUG AND JOIST ASSEMBLY INTO PLACE AS SHOWN. BOLT ENDS OF JOIST ASSEMBLY TO POSTS, THEN BOLT ON 103 BOLTS.

OUTER END JOIST ASSEMBLY (x2)

DO NOT FULLY TIGHTEN BOLTS AT THIS STEP.





G2 | W BRACKET-A4M01453
(x4) | 3"X5 1/8"X9 1/8" (78x130x233)



H101101 | TORX PAN HEAD
(32) | 1/4-20x3/4"



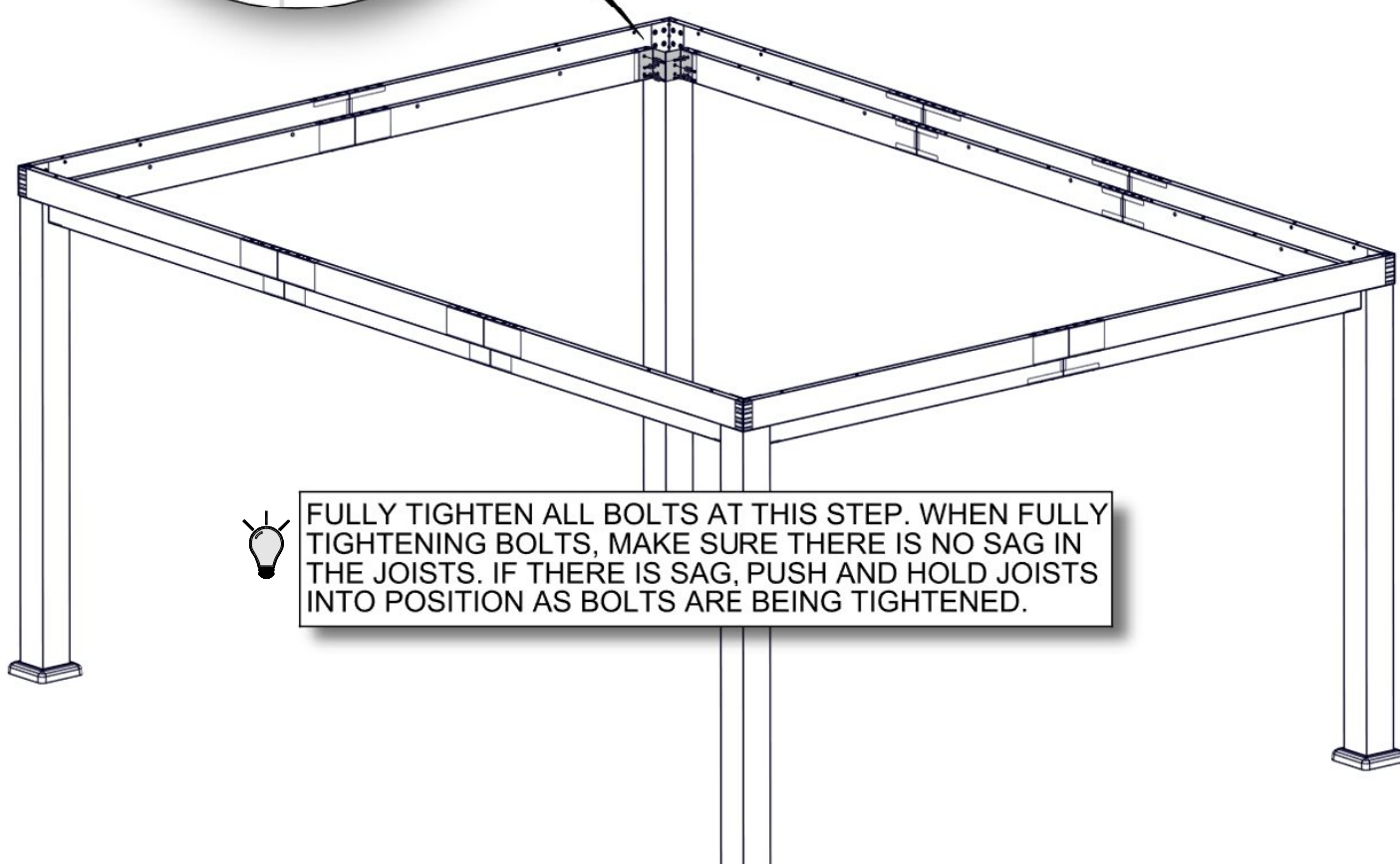
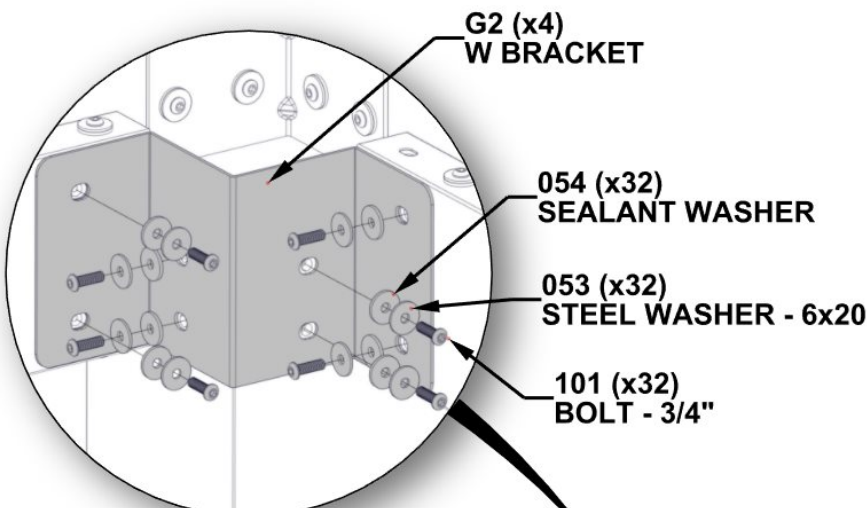
H101053 | STEEL WASHER
(32) | 6x20



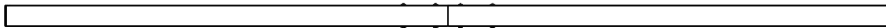
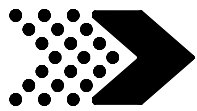
H101054 | SEALANT WASHER
(32)



ATTACH AND FULLY TIGHTEN W BRACKET FIRST.



FULLY TIGHTEN ALL BOLTS AT THIS STEP. WHEN FULLY TIGHTENING BOLTS, MAKE SURE THERE IS NO SAG IN THE JOISTS. IF THERE IS SAG, PUSH AND HOLD JOISTS INTO POSITION AS BOLTS ARE BEING TIGHTENED.



(14) JOIST ASSEMBLY - FROM STEPS 1 & 2



H101102 | TORX PAN HEAD
(28) | 1/4-20x4"



H101053 | STEEL WASHER
(28) | 6x20



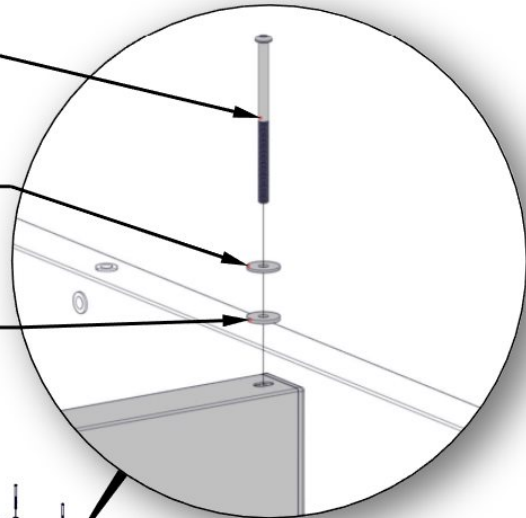
H101054 | SEALANT WASHER
(28)



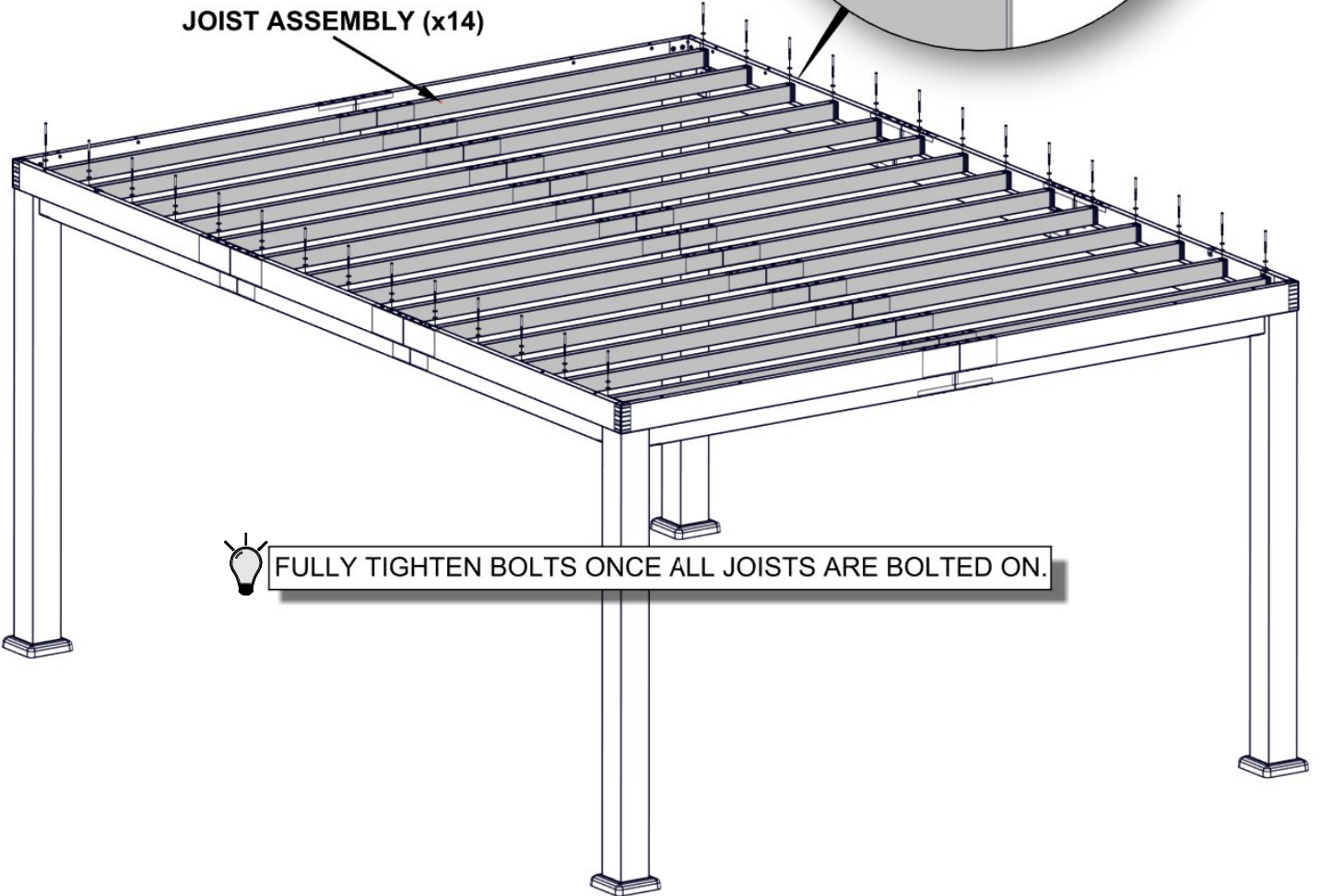
102 (x28)
BOLT - 4"

053 (x28)
STEEL WASHER - 6x20

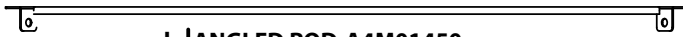
054 (x28)
SEALANT WASHER



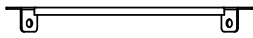
JOIST ASSEMBLY (x14)



FULLY TIGHTEN BOLTS ONCE ALL JOISTS ARE BOLTED ON.



L | ANGLED ROD-A4M01450
(x4) | 1 1/4"X1 1/2"X36 3/8" (33x38x924)



M | ANGLED ROD-A4M01451
(x4) | 1 1/4"X1 1/2"X12 7/8" (33x38x327)



H101101 | TORX PAN HEAD
(32) | 1/4-20x3/4"



H101053 | STEEL WASHER
(32) | 6x20



H101054 | SEALANT WASHER
(32)

COMPLETE THIS STEP FOUR TIMES.

TO GET ANGLED RODS TO LINE UP DIAGONAL MEASUREMENTS MAY NEED TO BE TAKEN FROM POST TO POST. ADJUSTMENTS TO SQUARE UP ASSEMBLY MAY NEED TO BE MADE.



**101 (x8)
BOLT - 3/4"**

**053 (x8)
STEEL WASHER - 6x20**

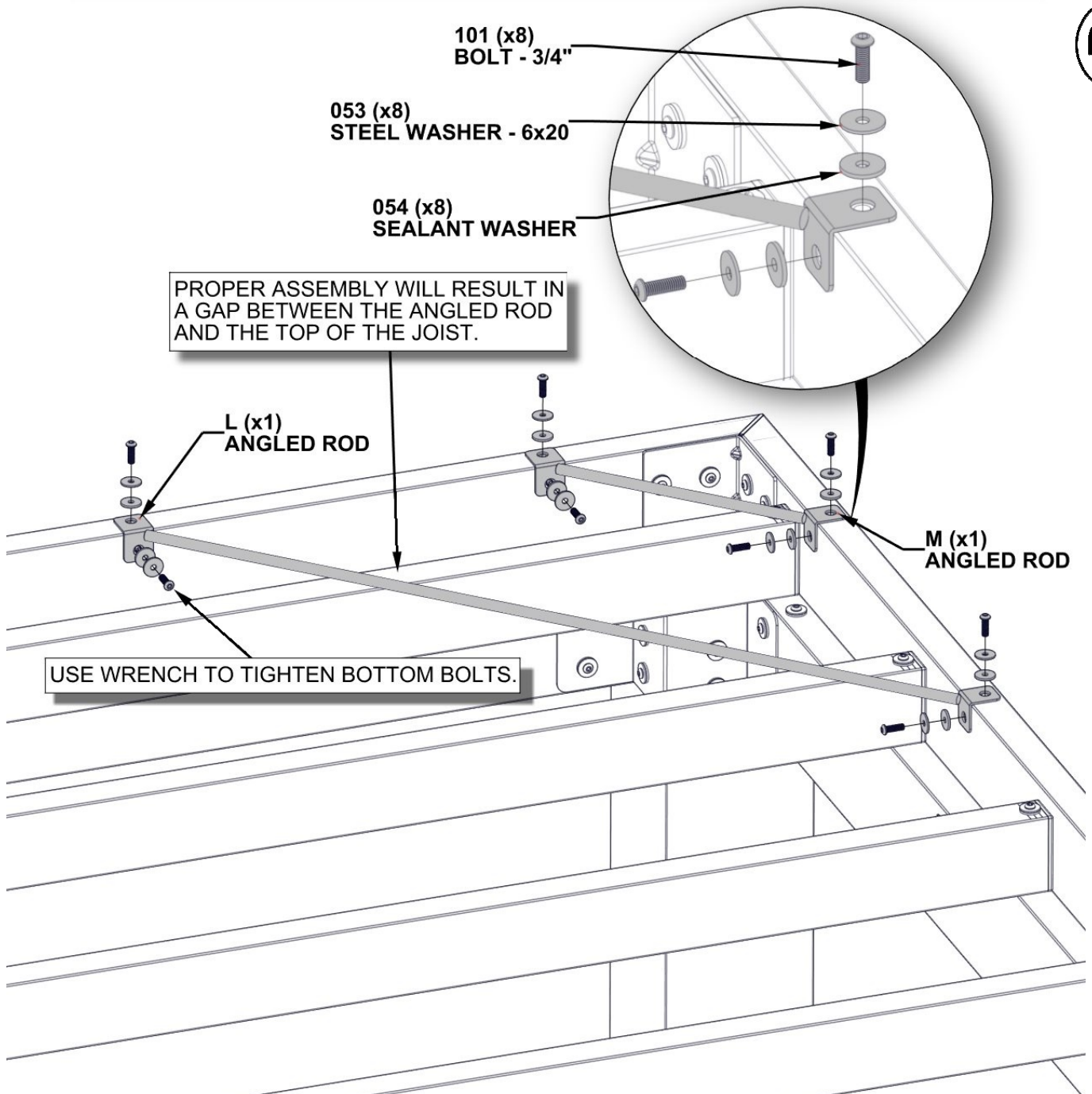
**054 (x8)
SEALANT WASHER**

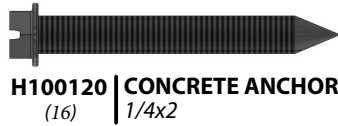
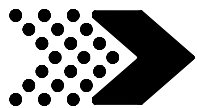
PROPER ASSEMBLY WILL RESULT IN A GAP BETWEEN THE ANGLED ROD AND THE TOP OF THE JOIST.

**L (x1)
ANGLED ROD**

**M (x1)
ANGLED ROD**

USE WRENCH TO TIGHTEN BOTTOM BOLTS.





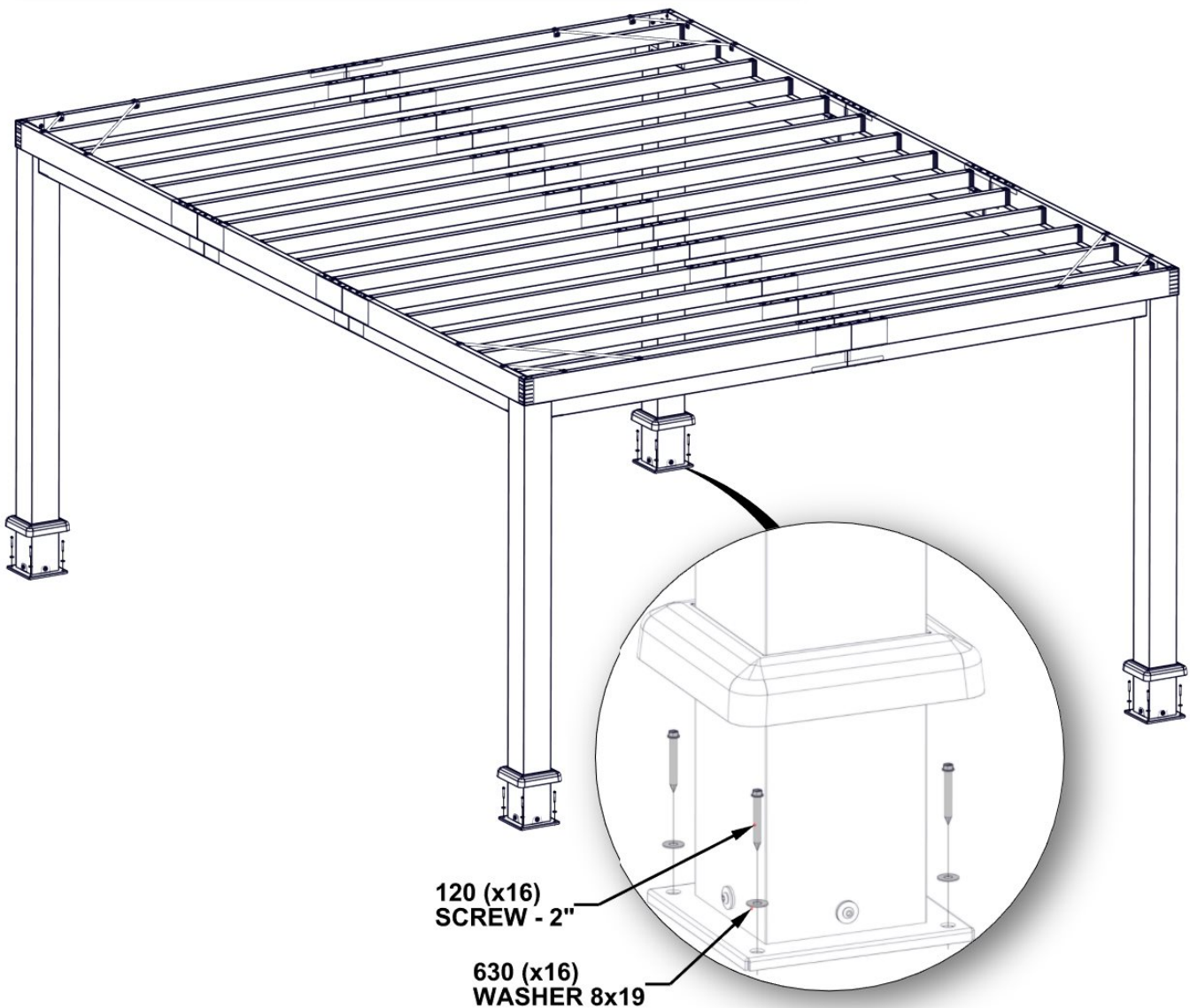
H100120 | CONCRETE ANCHOR
(16) | 1/4x2



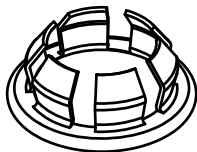
H100630 | FLAT WASHER
(16) | BLK 8x19

NOTE: MANUFACTURER RECOMMENDS INSTALLATION ON CONCRETE SURFACE OR CONCRETE POST PADS. SEE BELOW.

FOR INSTALLATION ON A WOOD DECK, YOU MUST ENSURE THERE IS AMPLE STRUCTURAL SUPPORT UNDER THE DECK. SCREWS ARE NOT PROVIDED TO ATTACH TO DECK.



ONCE PERGOLA IS PLACED IN THE DESIRED LOCATION, PRE-DRILL HOLES FOR CONCRETE ANCHORS USING A 3/16" CONCRETE DRILL BIT.



N2 | A4M01352
(x20) | HOLE COVER

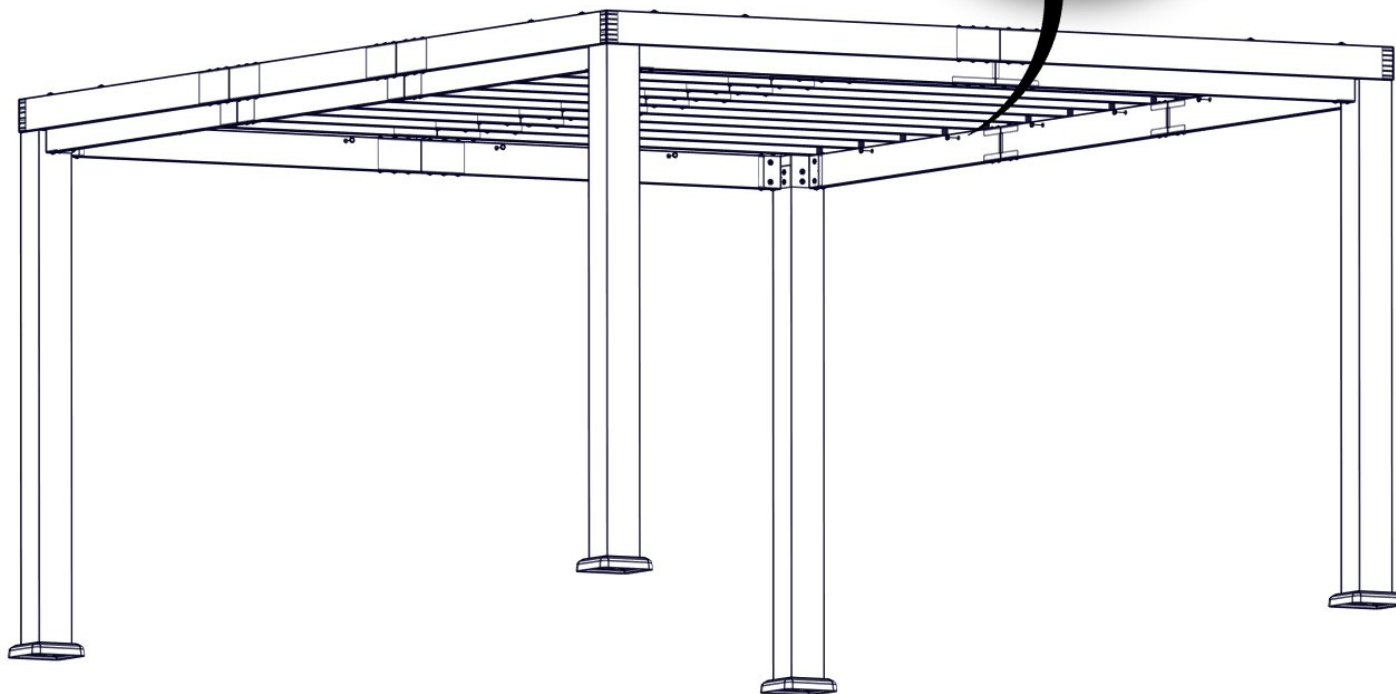
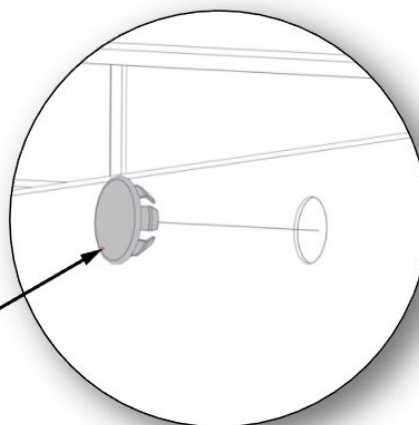


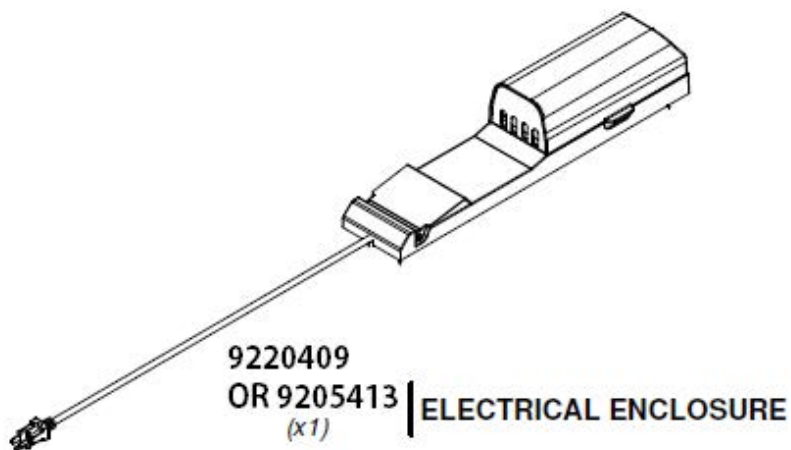
BEFORE HOLE COVERS ARE INSTALLED, ENSURE ALL JOISTS ARE WITHOUT SAG. ADJUST AND TIGHTEN BOLTS AS NEEDED TO ELIMINATE ANY SAG.



USE A SMALL PIECE OF WOOD TO TAP HOLE COVERS IN WITH A RUBBER Mallet.

N2 (x20)
HOLE COVER





FOR ELECTRICAL ENCLOSURE INSTALLATION REFER TO ASSEMBLY INSTRUCTIONS THAT COMES PACKAGED WITH THE ELECTRICAL ENCLOSURE KIT. INSTALL ON ANY POST THAT IS DESIRED. FOLLOW DIRECTIONS FOR PROPER INSTALLATION.