



ASPEN PLAYHOUSE



- Owner's Manual
- Frequently Asked Questions
- Assembly Instructions
- Warranty Information

Features the **SAFE-I-FUSE** fastening system.
Patent Pending

Save this assembly manual for future reference in the event that you need to order replacement parts.



Free BILT Intelligent Instructions®
Download on <https://biltapp.com/>
Available on Apple and Google Play



Adult Assembly Required.
Not suitable for children under two years,
due to sharp points and small parts.

Made in China

GENERAL SAFETY INSTRUCTIONS

PURPOSE

This product is intended for outdoor, domestic use only. It is not suitable for commercial or medical use.

DANGER FOR CHILDREN

- **WARNING! No eating while using the product**
- This product may only be used with adult supervision at all times.
- The packaging material is not suitable for children due to choking and suffocation hazards.

RISK OF INJURIES

- Do not use the product if it is damaged or defective. If it is damaged or defective, please contact a qualified technician.
- Check the product before each use. Defective parts must be changed immediately as they can impair the function and the safety of the product.
- No more than one person per swing or per attachment.
- Use the product only on even and non-slipping surfaces. Never use it near water and keep sufficient space around for safety.

PRODUCT DAMAGE

- Do not make alterations to the product. Only use original spare parts. Qualified technicians should only carry out repairs – improper repairs can lead to danger for the user. Use this product only as described in this manual.
- Protect the product against splashes, humidity, high temperature and direct sunlight.

ASSEMBLY ADVICE

- The assembly of the product must be done carefully and by an able-bodied adult. If in any doubt, ask a technically qualified person.
- Before you start with the assembly, read the instructions carefully.
- Remove all packaging materials and lay down all parts on an open space. This gives you an overview and simplifies the assembly procedure.
- Check with the parts list that all parts are available. Dispose of the packaging material when the assembly is completed.
- Beware that when using tools or doing technical work, there is always a risk of injuries. Assemble the product with care.
- Create a danger free environment; for example, do not let tools lay around the workspace. Store the packaging material in a way that cannot cause any danger.
- After installing the product according to the instruction manual, ensure all screws, bolts and nuts are correctly installed and tightened and that all joints are secure.
- Reasonable space must be kept between the product and possible sources of danger, such as other equipment swimming pools and fences.
- The product must be assembled correctly before use.
- Place the product on a level surface at least 2 m from any structure or obstruction such as a fence, garage or house.
- No modifications are to be made to the original product.
- The product must always be used in a well-lit area.
- Do not place anything under the product.
- Use gloves during assembly and disassembly.
- Outdoor products should be equipped with a device that in strong wind conditions avoid displacement due to wind (e.g. steel bars in the ground or loads like sand bag or water bags).

- In certain areas during winter, snow buildup and the low temperatures can damage the product. It is recommended to remove snow buildup and to store the product indoor.
- We strongly recommend visual inspections every 3 months to insure the integrity of the entire product. Replace any parts as necessary.

SAFETY INSTRUCTIONS

- The safety instructions of the product should always be considered and obeyed.
- Using the product may result in permanent injury such as paralysis, or even death. Falling off the product may lead to injuries, particularly to the back, neck or head.
- No clothes with hooks or lose parts should be worn or carried during product usage in order to avoid hooks getting caught and causing injury.
- Moving the product whilst assembled may affect the integrity of the frame. Should it be necessary to move the product, please consider the following:
 - 1.) Force to be evenly spaced around the frame to lift the product off the ground
 - 2.) The product must be carried horizontally
 - 3.) Use caution whilst moving as it could bend the product frame.
- Users should be familiar with the assembly manual. This manual contains assembly guidance; selected precautionary measures as well as recommendations for servicing and maintenance of the product, in order to ensure safe and fun usage.
- It is the responsibility of the owner or the supervisor to guarantee that all users of the product are informed sufficiently of all warning references and safety instructions.

For the supervisor:

The supervisor's role is to make sure users are aware of all safety precautions and that these precautions are enforced. When a supervisor is not available, the product may be disassembled or covered to limit access.

- The product can be only used if it is in good condition, worn or damaged parts should be replaced.
- Objects, which could be dangerous to the user, should be away from the product
- Avoid unauthorized and unsupervised use of the product.
- Do not use the product under influence of alcohol or drugs (incl. medicines).
- Do not use the product or its attachments as a jumping platform.

Consumer Information Sheet for Playground Surfacing Materials

The US Consumer Product Safety Commission (CPSC) estimates that about 100 000 playground equipment-related injuries resulting from falls to the ground surface are treated annually in US hospital emergency rooms. Injuries involving this hazard pattern tend to be among the most serious of all playground injuries, and have the potential to be fatal, particularly when the injury is to the head. The surface under and around playground equipment can be a major factor in determining the injury-causing potential of a fall. It is self-evident that a fall on to a shock-absorbing surface is less likely to cause a serious injury than a fall onto a hard surface. Playground equipment should never be placed on hard surfaces, such as concrete or asphalt, and while grass may appear to be acceptable, it may quickly turn to hard-packed earth in areas of high traffic. Shredded bark mulch, wood chips, fine sand or the gravel are considered to be acceptable shock absorbing surfaces when installed and maintained at a sufficient depth under and around playground equipment.

Table B.1 lists the maximum height from which a child would not be expected to sustain a life-threatening head injury in a fall on to four different loose-fill surfacing materials if they are installed and maintained at depths of 150 mm, 225 mm and 300 mm.

Table B.1: Fall height in millimetres from which a life-threatening head injury would not be expected

Type of Material	Depth of surfacing material		
	150mm	225mm	300mm
Double Shredded Bark Mulch	1800	3000	3300
Wood Chips	1800	2100	3600
Fine Sand	1500	1500	2700
Fine Gravel	1800	2100	3000

However, it should be recognised that all injuries due to falls cannot be prevented, no matter what surfacing material is used.

It is recommended that a shock absorbing material extend a minimum of 1 800 mm in all directions from the perimeter of stationary equipment such as climbing frames and slides. However, because children may deliberately jump from a moving swing, the shock absorbing material should extend in the front and rear of a swing a minimum distance of twice the height of the pivot point measured from a point directly beneath the pivot on the supporting structure.

This information is intended to assist in comparing the relative shock-absorbing properties of various materials. No particular material is recommended over another. However, each material is only effective when properly maintained. Materials should be checked periodically and replenished to maintain correct depth as determined necessary for the equipment in question. The choice of a material depends on the type and height of the playground equipment, the availability of the material in a particular area, and its cost.

WOOD ADVICE

Our products are manufactured from premium timber. Great care is taken in selecting, machining and treating the timber before it is sold to you.

1. Inspect wood parts monthly. The grain of the wood sometimes will lift in dry periods causing splinters to appear. Light sanding may be necessary to maintain a safe environment. Treating your Product with protection (sealant) after sanding will help prevent severe checking/splitting and other weather damage.
2. We have applied a waterborne translucent stain to your unit. This is done for colour only. Once or twice a year, depending on your climate conditions, you must apply some type of protection (sealant) to the wood of your unit. Prior to the application of sealant, lightly sand any "rough" spots on your set. Please note this is a requirement of your warranty.

Bear in mind that timber is a natural product and may experience changes throughout the course of its life.

It may:

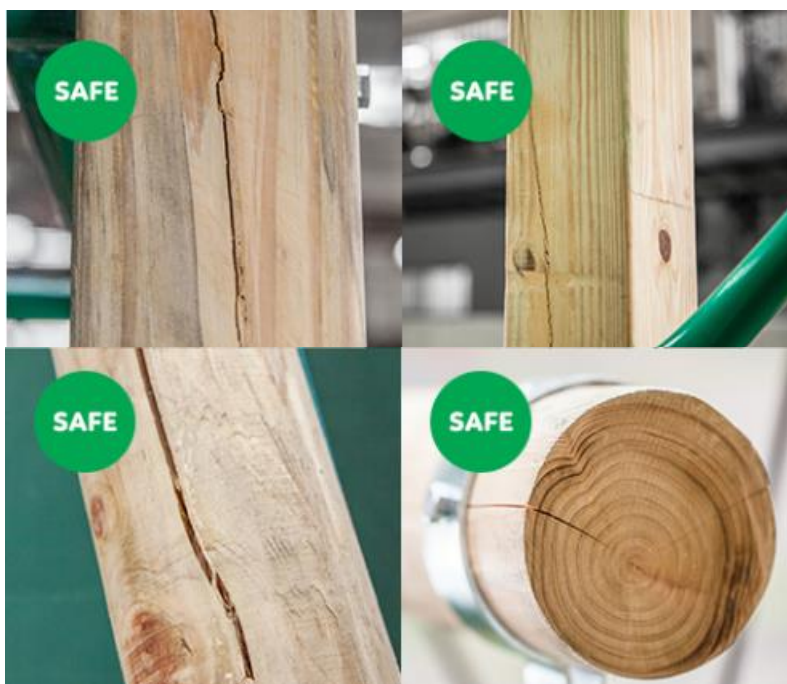
- Develop openings/checks (gaps, slits, apertures, cracks) along the line of the grain.
- Fade as the timber reacts with sunlight.

All woods are hygroscopic, that is, it will absorb or discharge moisture to attain equilibrium with the surrounding atmosphere. Timber openings/checks occur due to the moisture content between internal and outer surfaces of the timber. No two pieces of wood are exactly alike. Each piece has its own characteristics and personality and reacts differently to climate changes. When any wood products are exposed to the elements, it develops 'wood checks'. A check is the radial separation of the wood fibres running with the grain of the wood. These are caused by the varying temperature and moisture conditions. A check does not affect the strength or durability of the wood or structural integrity of the play set.

When should wood cracks be a concern?

Most of the wood splits will never become large enough to affect the reliability and strength of our products, however, there can be rare cases where splits can occur. This happens when a crack develops past the halfway point from the timber, splitting it into two separate pieces.

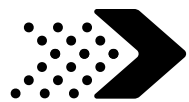
Feel free to contact us with detailed pictures of your product so we can assess and ensure that your playground remains safe.



Dimensional timbers contain very little heart wood so less splits can be seen.

Round pole swing sets are very thick so that cracks (shown left) will not affect the strength and durability of our swing sets.

For more information: <http://www.lifespankids.com.au/natural-timber>



Your Backyard Discovery structure is designed and constructed of quality materials. As with all outdoor products it will weather and wear. To maximize the enjoyment, safety and life of your structure it is important that you properly maintain it.

About Our Wood

Backyard Discovery uses 100% Cedar (C. Lanceolata) wood. Although we take great care in selecting the best quality lumber available, wood is still a product of nature and susceptible to weathering which can change the appearance of your set.

What causes weathering? Does it affect the strength of my product?

One of the main reasons for weathering is the effects of water (moisture); the moisture content of the wood at the surface is different than the interior of the wood. As the climate changes, moisture moves in or out of the wood, causing tension which can result in checking and or warping. You can expect the following due to weathering. These changes will not affect the strength of the product:

1. Checking is surface cracks in the wood along the grain. A post (4" x 4") will experience more checking than a board (1" x 4") because the surface and interior moisture content will vary more widely than in thinner wood.

2. Warping results from any distortion (twisting, cupping) from the original plane of the board and often happens from rapid wetting and drying of the wood.

3. Fading happens as a natural change in the wood color as it is exposed to sun-light and will turn grey over time.

How can I reduce the amount of weathering to wood product?

1. Your wood product is coated with a water-based stain. Sunlight will break down the coating, so we recommend applying a water repellent or stain on a yearly basis (see your local stain and paint supplier for a recommended product). You must apply some type of protection (sealant) to the wood of your product. **Please note this is a requirement of your warranty.** Most weathering is just the normal result of nature and will not affect safety. However if you are concerned that a part has experienced a severe weathering problem please call our customer service department for further assistance.

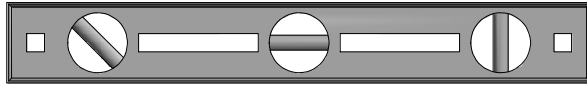
2. Inspect wood parts monthly. The grain of the wood sometimes will lift in the dry season causing splinters to appear. Light sanding may be necessary to maintain a safe environment. Treating your Product with protection (sealant) after sanding will help prevent severe checking/ splitting and other weather damage.

Play House Assembly Manual FAQs:

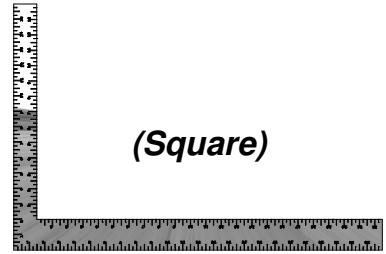
1. Does the area for the play house need to be level? Yes. We recommend the play house be positioned on a flat level area for maximum safety and durability. Any stakes provided should be used to secure it firmly to the ground.
2. What size area is recommended for the play house? We recommend at least a 6' (six foot) perimeter around and above the play house for maximum safety.
3. What age range is appropriate for the play houses? The play houses are recommended for children ages 2 – 10 years.
4. Is the wood treated with chemicals? Backyard Discovery uses 100% Chinese Cedar wood which is naturally bug resistant, decay and rot resistant. To help ensure your child's safety, our wood is completely chemical free and we do not use pressure-treated wood. The stain we use is a top coat using a water-based product that is for appearance only.
5. How often should the play house be stained? We recommend the play house be stained once each year. A water or oil based stain can be used at the customer's discretion.
6. Why does it seem that my play house is developing cracks? Wood is a natural material; no two pieces are exactly alike. Each piece has its own characteristics and personality and reacts differently to climate changes. When any wood product is exposed to the elements, it develops "wood checks". A check is the radial separation of the wood fibers running with the grain of the wood. These are caused by the varying temperature and moisture conditions. A check is not a crack – it does not affect the strength or durability of the wood or structural integrity of the play house.
7. What is the best way to get started assembling the play house? We recommend taking all the parts out of the boxes and arranging them by part number before you begin any assembly. This will not only allow faster assembly, but will also identify any parts that may be missing or damaged so they can be replaced before assembly.
8. The play house seems to rock or sway too much. What's wrong? Rocking is caused by uneven ground or obstructions such as rocks, roots, etc. under the ground rails. These should be removed and the ground underneath re-leveled to prevent rocking. Also ensure the play house is securely staked to the ground using any stakes provided.
9. The 2"x4" boards do not measure 2"x 4". Why not? It is common practice to describe lumber dimensions using the rough cut sizes from the sawmill and not the finished dimensions. Retailers, home stores, etc. all use this accepted practice for describing lumber dimensions. However, Backyard Discovery play houses are designed and constructed using the actual dimensions so everything fits properly and remains so during the life of the play house.

Tools Required for Installation:

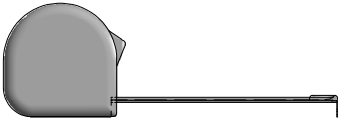
(These are the tools that are generally required for assembly of our outdoor products. These tools are not included with the outdoor product purchase.)



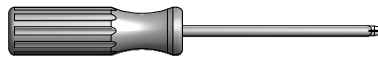
(Level 24")



(Square)



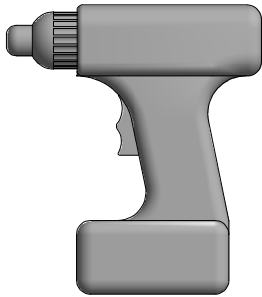
(Tape Measure)



(Phillips Screw Driver)



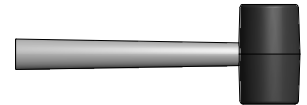
(Claw Hammer)



(Cordless Drill or Electric Drill)



***(Drill Attachments:
Phillips Head)***



(Rubber Mallet - Optional)



(An Adult w/ an Adult Helper)

SAFETY AND ASSEMBLY INFORMATION

SELECTING THE CORRECT LOCATION FOR YOUR PLAY PRODUCT IS IMPORTANT FOR YOUR CHILDREN'S SAFETY AND THE PRODUCT'S LONGEVITY

Dimensions:

- The Aspen Playhouse has one layout option.

Layout	Ground Dimension	Safe Play Area*
	4'-4 ¹ / ₈ " x 6'-6 ⁷ / ₈ " x 67'- ¹ / ₄ " Tall	16'-4 ¹ / ₈ " x 18'-6 ⁷ / ₈ "

*Level Ground Surface - See below

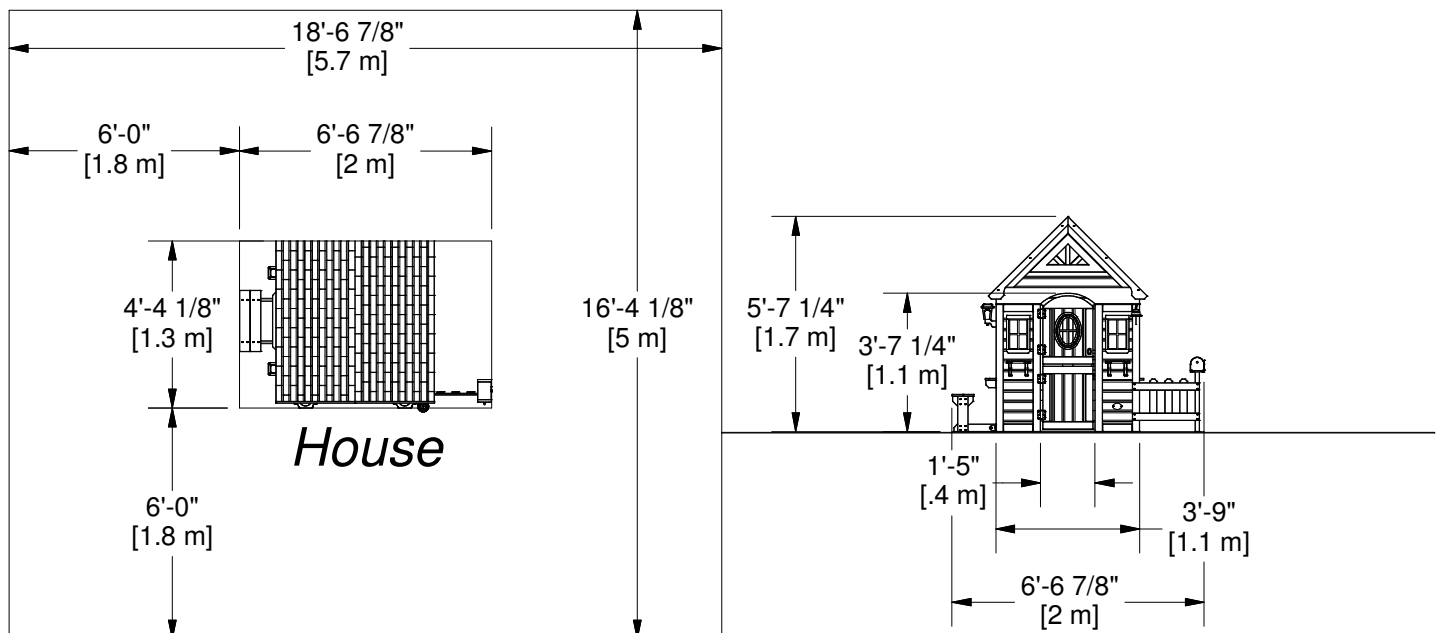
General Information:

Your set has been designed and engineered for children only and for residential use only. A maximum of 150 lbs. per child is recommended for play activities designed for individual use. A maximum of 120 lbs. per child is recommended for play activities designed for multiple child use. A maximum of 6 children is recommended for this unit.

Safe Play Area:

- The safe play area refers to a zone extending 6' beyond the play product on all sides, including the space above the play product.
- The ground surface **must be level**. Installing your play product on sloping ground can cause it to lean or "rack". This leaning puts additional stress on all connections and joints and in time will cause those connections to loosen and fail.
- The safe play area must be free of all structures, landscaping, trees and branches, rocks, wires, and other obstacles to safe play. Children can be seriously injured running or swinging into these obstacles.
- Remove all tripping hazards from the safe play area. Tripping hazards include: roots, stumps, rocks, landscaping, sprinkler heads, railroad ties, plumbing and electrical connections.
- Play product needs to be installed on solid ground.

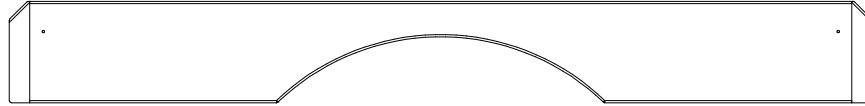
SAFE PLAY AREA DIAGRAM



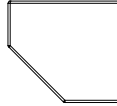
Parts Identification

Wood Components

(NOT TO SCALE)



- (1) **G1 - FRONT HEADER - W4L05074**
1"x5 1/4"x45" (24x134x1142)



- (1) **G2 - WALL SUPPORT - W4L05067**
1"x5 1/4"x5 7/8" (24x134x150)



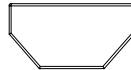
- (1) **H1 - LEFT ANGLED HEADER - W4L05071**
1"x3 3/8"x44 3/8" (24x86x1127)



- (1) **H2 - RIGHT ANGLED HEADER - W4L05072**
1"x3 3/8"x44 3/8" (24x86x1127)



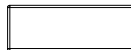
- (1) **H3 - REAR HEADER - W4L05073**
1"x3 3/8"x42 7/8" (24x86x1088)



- (2) **H4 - BENCH SEAT SUPPORT - W4L05289**
1"x3 3/8"x6 1/2" (24x86x166)



- (2) **H5 - BENCH UPRIGHT - W4L05290**
1"x3 3/8"x11" (24x86x280)



- (2) **J1 - SUPPORT BOARD - W4L05068**
1"x2 3/8"x6 3/4" (24x60x170)



- (2) **J2 - SHELF SUPPORT - W4L05288**
1"x2 3/8"x3 1/8" (24x60x80)



- (2) **J3 - BENCH GROUND BOARD - W4L05291**
1"x2 3/8"x13 1/4" (24x60x335)



- (2) **J4 - OUTER CURTAIN ROD HOLDER - W4L05293**
1"x2 3/8"x2 3/8" (24x60x60)

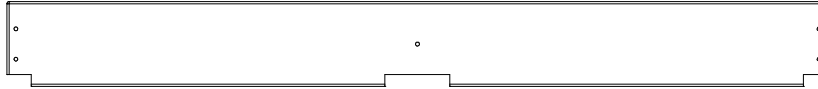


- (1) **J5 - INNER CURTAIN ROD HOLDER - W4L05294**
1"x2 3/8"x2 3/8" (24x60x60)

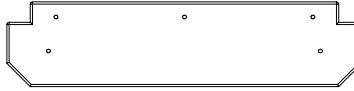
Parts Identification

Wood Components

(NOT TO SCALE)



- (1) **L1 - CABINET TOP - W4L05076**
5/8"x4 3/8"x42 3/4" (16x112x1087)



- (1) **L2 - SERVING SHELF - W4L05287**
5/8"x4 3/8"x18 1/2" (16x112x470)



- (1) **M1 - FRONT CABINET TOP - W4L05077**
5/8"x3 3/8"x42 3/4" (16x86x1087)



- (2) **M2 - BENCH SEAT - W4L05292**
5/8"x3 3/8"x19 1/8" (16x86x485)



- (2) **M3 - FASCIA BOARD - W4L05064**
5/8"x3 3/8"x35 1/4" (16x86x894)



- (2) **N1 - TIE STRAP - W4L05043**
5/8"x2"x3 1/8" (16x50x80)



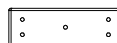
- (1) **N3 - LARGE WINDOW SHELF - W4L05065**
5/8"x2 3/8"x16 1/8" (16x60x409)



- (2) **N4 - TIE STRAP - W4L05075**
5/8"x2"x5 1/8" (16x50x130)



- (1) **N5 - DOOR STOP - W4L05070**
5/8"x2 3/8"x3 3/8" (16x60x86)

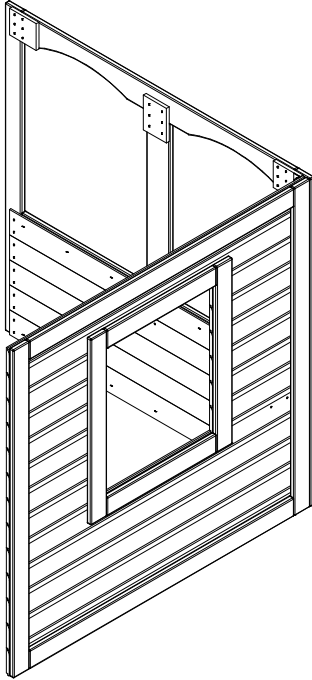


- (2) **N6 - TIE STRAP - W4L05078**
5/8"x2"x5 7/8" (16x50x150)

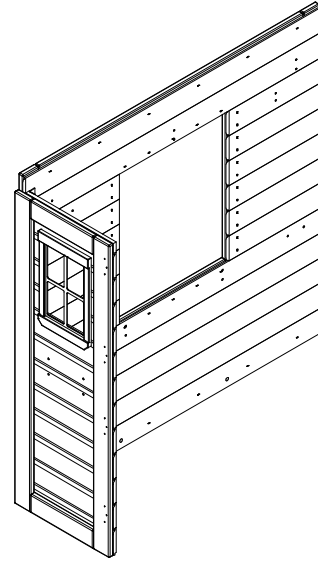
Parts Identification

Wood Components

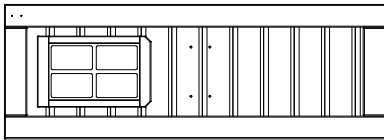
(NOT TO SCALE)



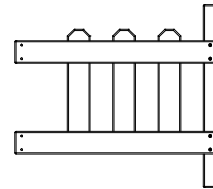
(1) WP1 - RIGHT REAR ASSEMBLY - W2A01592
44 3/8"x45"x41 3/4" (1127x1143x1061)



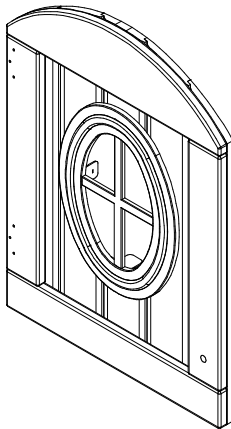
(1) WP2 - LEFT FRONT WALL ASSEMBLY - W2A01594
44 3/8"x14"x41 3/4" (1127x355x1061)



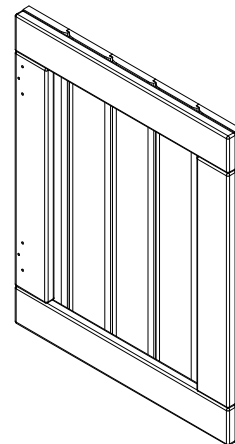
(1) WP3 - RIGHT FRONT WALL PANEL - W2A01595
1"x14"x39 3/4" (27x355x1010)



(1) WP4 - PICKET FENCE ASSEMBLY - W2A01598
2"x19"x21" (52x483x535)



(1) DP1 - TOP DOOR PANEL - W2A01596
1"x15 3/4"x21 7/16" (27x400x544)

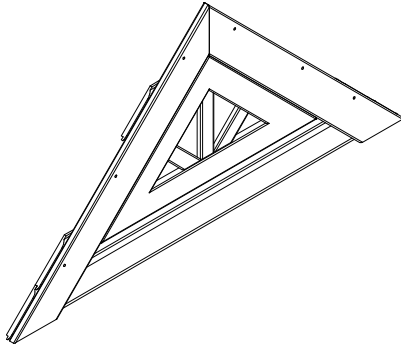


(1) DP2 - BOTTOM DOOR PANEL - W2A01597
1"x15 3/4"x19 3/4" (27x400x500)

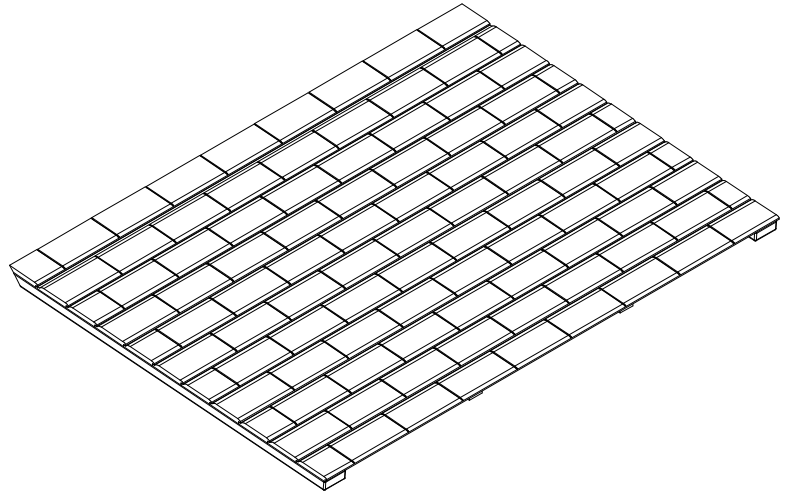
Parts Identification

Wood Components

(NOT TO SCALE)



(2) GP1 - GABLE END ASSEMBLY - W2A01581
1"x43 1/8"x21 1/2" (27x1095x547)



(2) RP1 - ROOF PANEL - W2A01582
1 3/8"x35 3/16"x50" (35x894x1270)

Parts Identification

Hardware



(9) SCREW PFH 8x1/2 BLK - H100203



(1) SCREW PFH 8x1 BLK - H100385



(4) SCREW PFH 8x1 1/8 BLK - H100386



(85) SCREW PFH 8x1 1/4 BLK - H100387



(2) SCREW PFH 8x1-1/2 BLK - H100200



(48) SCREW PFH 8x1 3/4 BLK - H100382



(4) SCREW PFH 8x2-1/2 BLK - H100201



(7) SCREW PWH 8x1/2 BLK - H100408



(17) SCREW PWH 8x5/8 BLK - H100202



(35) SCREW PWH 8x3/4 BLK - H100392



(2) BOLT WH 1/4x1/2 BLK - H100401



(2) BOLT WH 1/4x1-1/4 BLK - H100397



(2) NUT BARREL WH 1/4x7/8 BLK - H100399



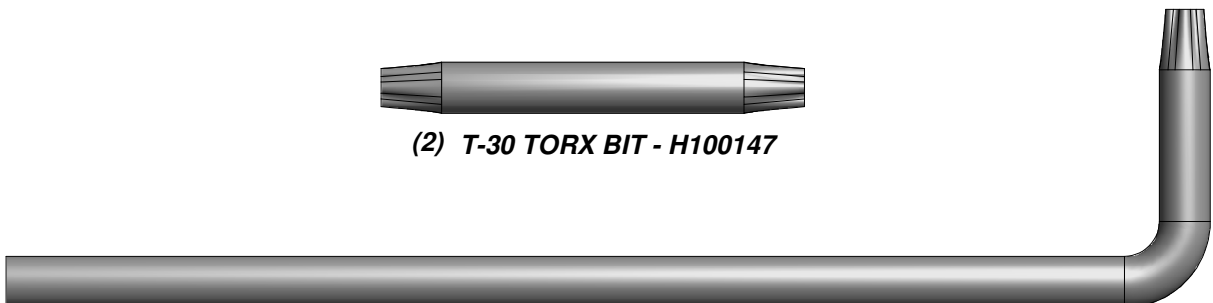
(2) T-NUT 1/4 BLK - H100398



(2) WASHER LOCK EXT 8x15 BLK - H100400



(2) T-30 TORX BIT - H100147

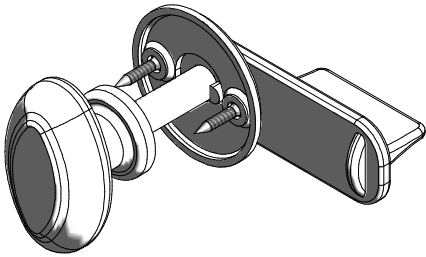


(2) T-30 TORX WRENCH - H100114

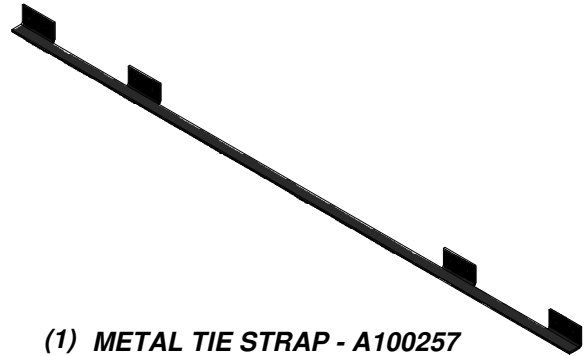
Parts Identification

Accessories

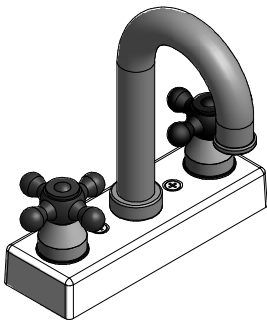
(NOT TO SCALE)



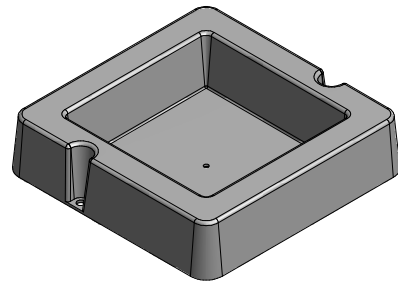
(1) KNOB KIT - A6P00020



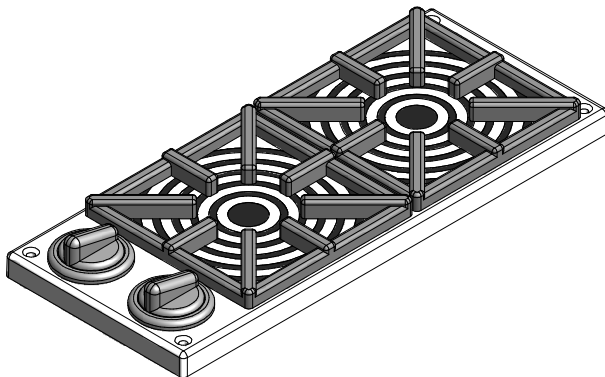
(1) METAL TIE STRAP - A100257



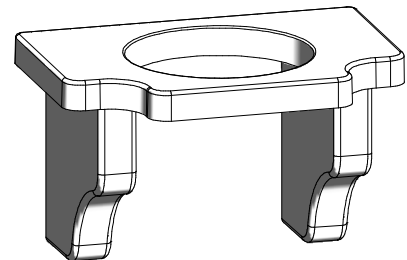
(1) FAUCET KIT - A6P00024



(1) SURFACE MOUNT BASIN - A6P00032



(1) STOVE KIT - A6P00025

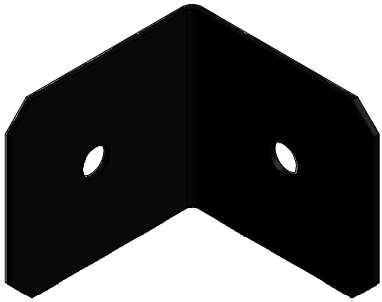


(2) FLOWER POT HOLDER - A6P00023

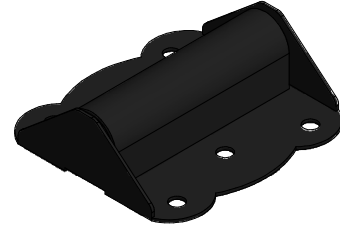
Parts Identification

Accessories

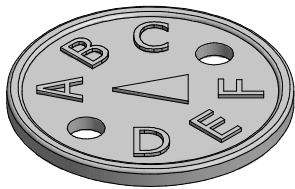
(NOT TO SCALE)



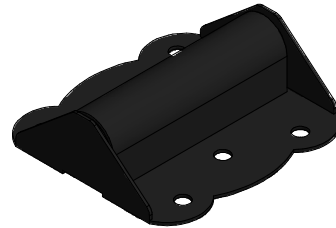
(8) 90° L-BRACKET - BLK - A4M00555



(2) HINGE (DOOR, NON-SPRING LOADED) - A4M00558



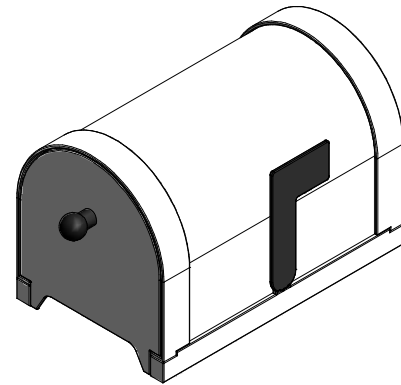
(1) "A" REVISION TAG - A100314



(2) HINGE (DOOR, SPRING LOADED) - A100327



(1) LTP ID TAG (SMALL) WITH AGES - A4M00515



(1) MAILBOX - A6P00017

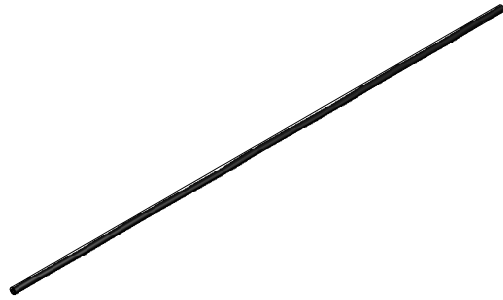
Parts Identification

Accessories

(NOT TO SCALE)



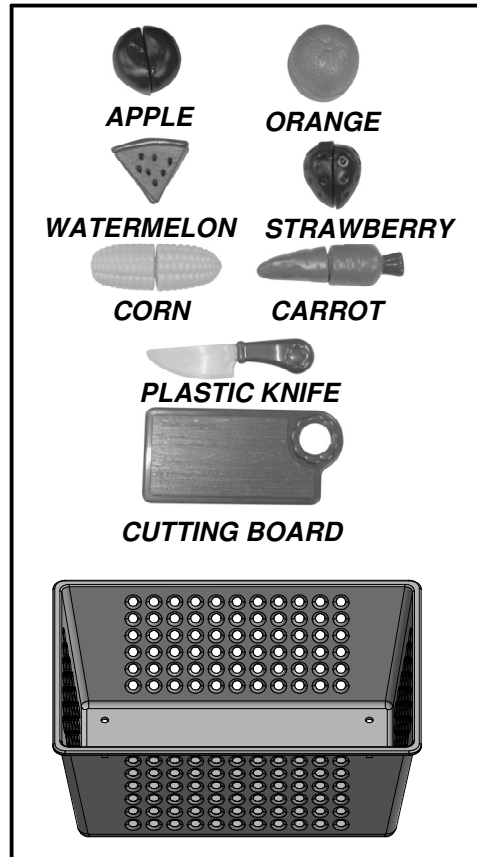
(2) CURTAIN - A6P00056



(1) PLASTIC CURTAIN ROD - A6P00057



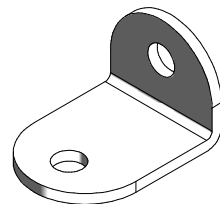
(2) - OUTDOOR LIGHT FIXTURE
-A6P00068



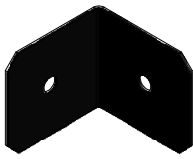
(1) FRUIT BASKET KIT - A6P00069



(1) BELL ASSEMBLY - A4M00554



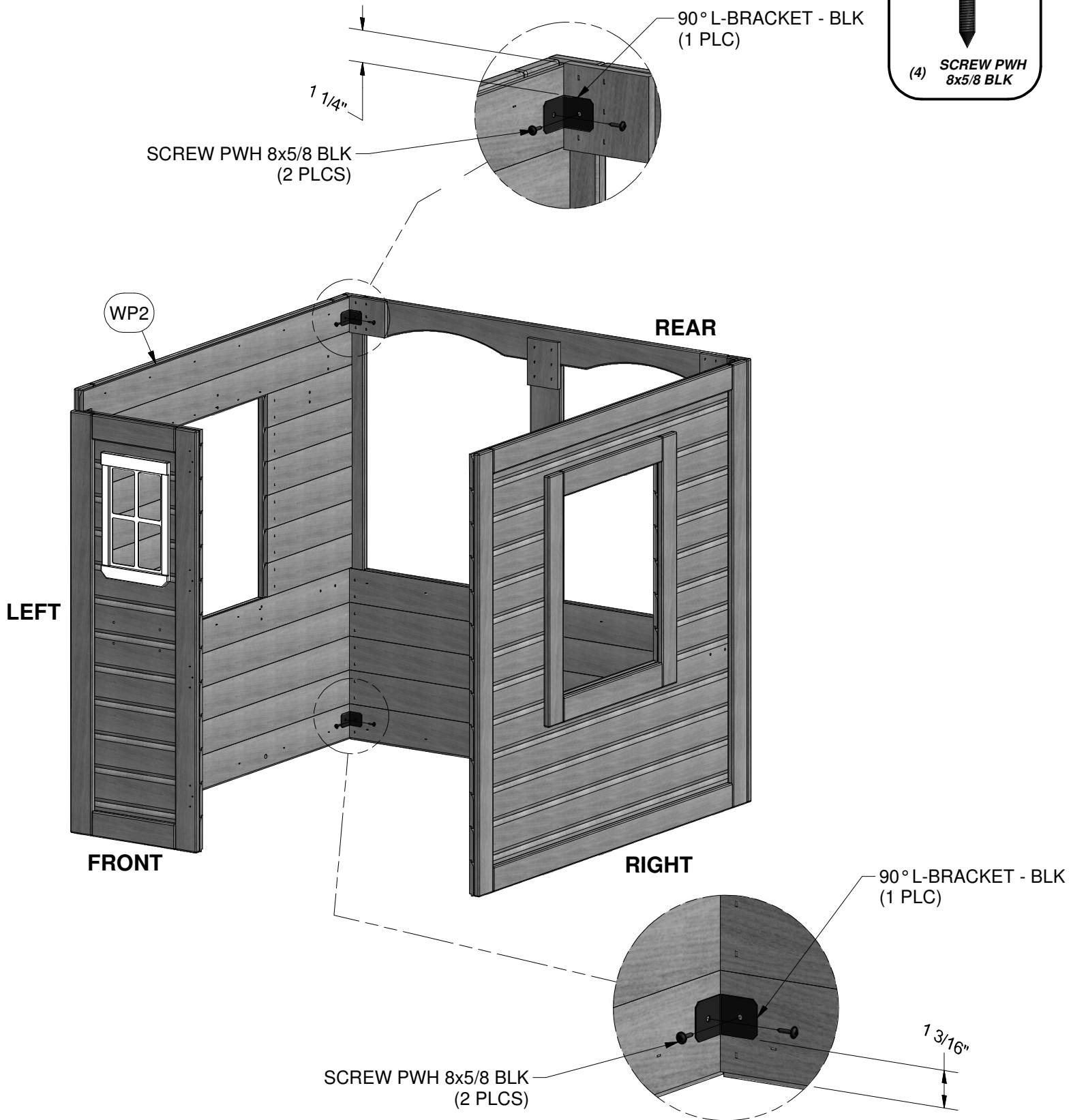
(2) L BRACKET WHITE 32x51 - A100133

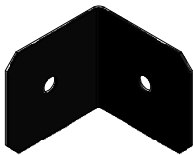


(2) 90° L-BRACKET - BLK - A4M00555

STEP 1:

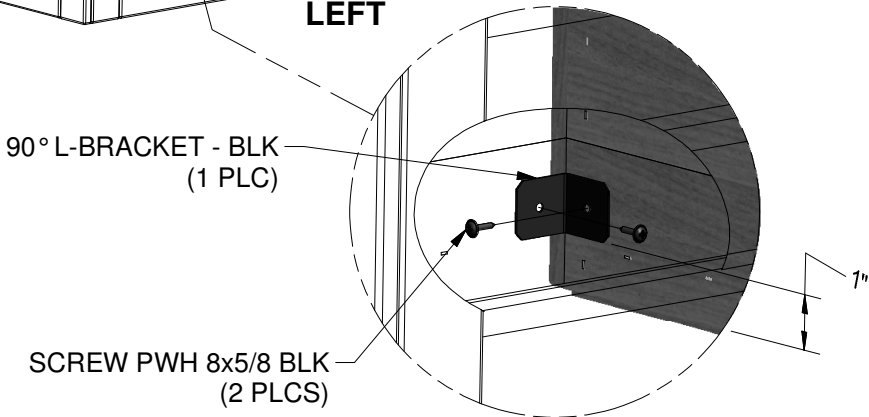
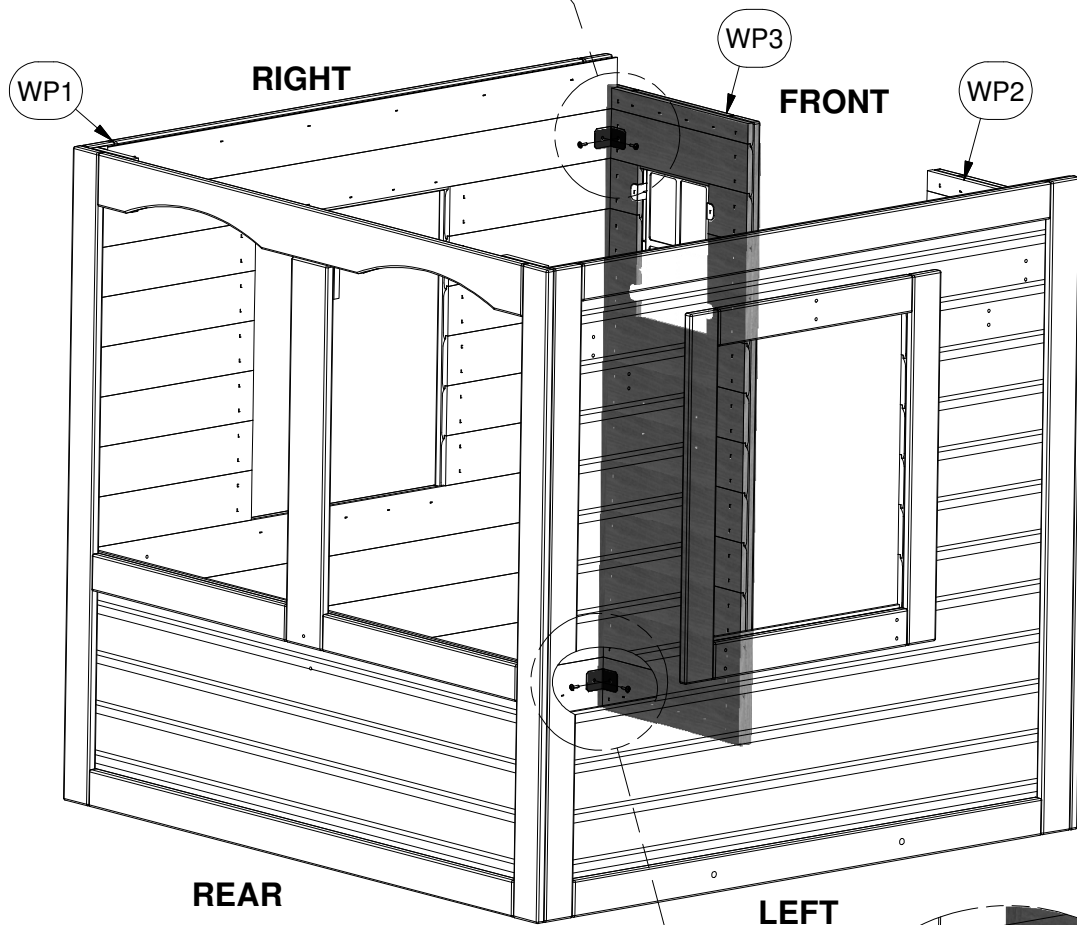
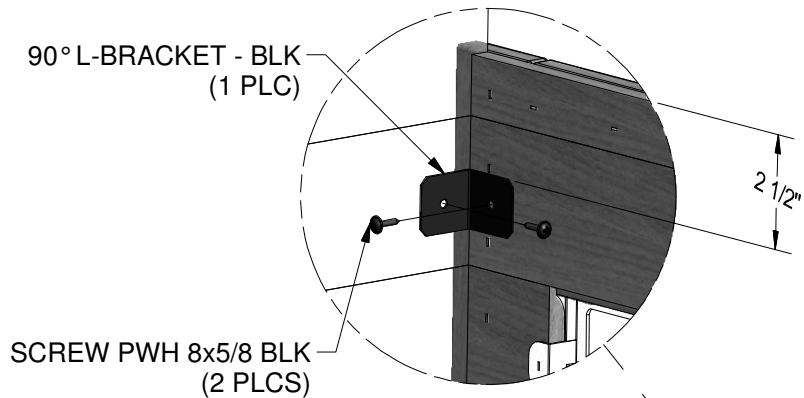
PLAYHOUSE ASSEMBLY





(2) 90° L-BRACKET - BLK - A4M00555

STEP 2:

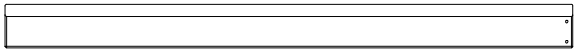




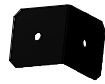
(1) **H1 - LEFT ANGLED HEADER - W4L05071**
 1"x3 3/8"x44 3/8" (24x86x1127)



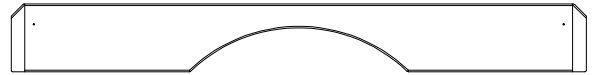
(1) **H3 - REAR HEADER - W4L05073**
 1"x3 3/8"x42 7/8" (24x86x1088)



(1) **H2 - RIGHT ANGLED HEADER - W4L05072**
 1"x3 3/8"x44 3/8" (24x86x1127)

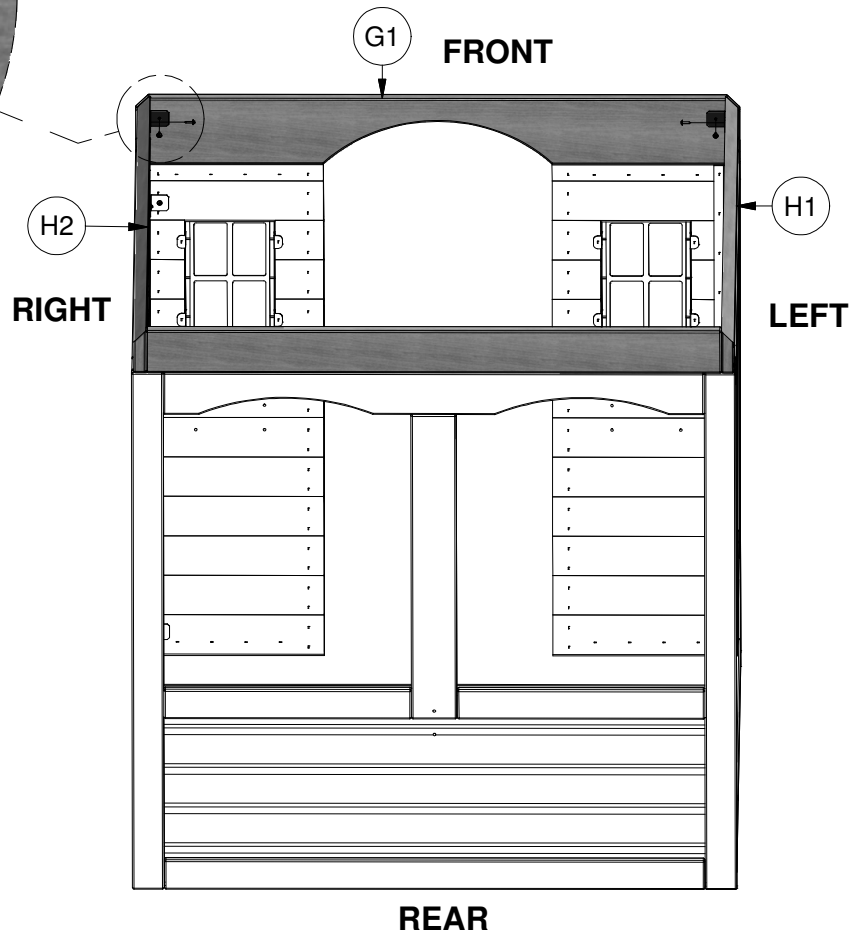
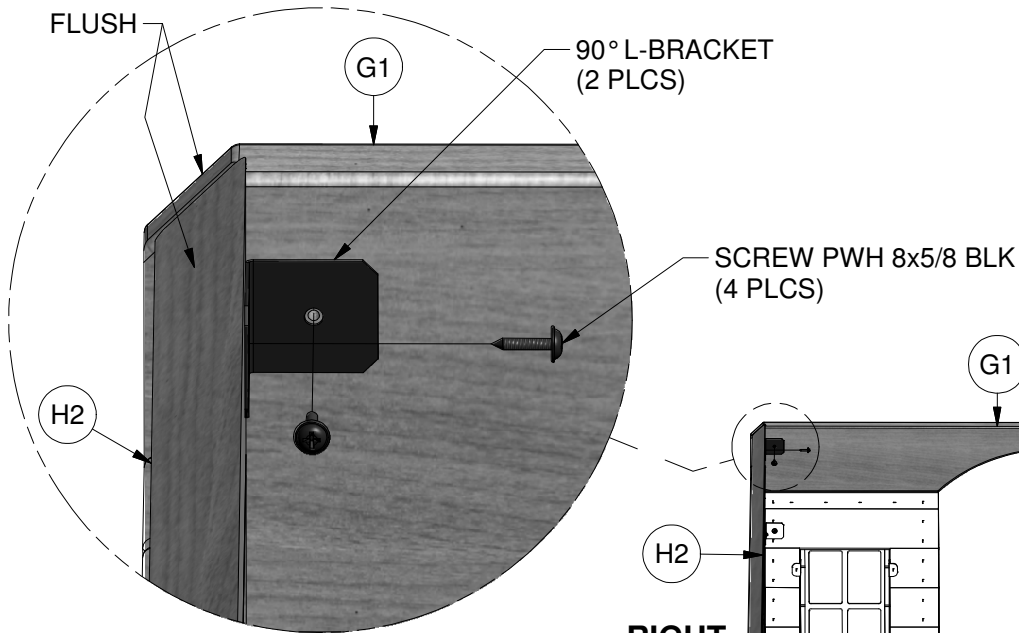
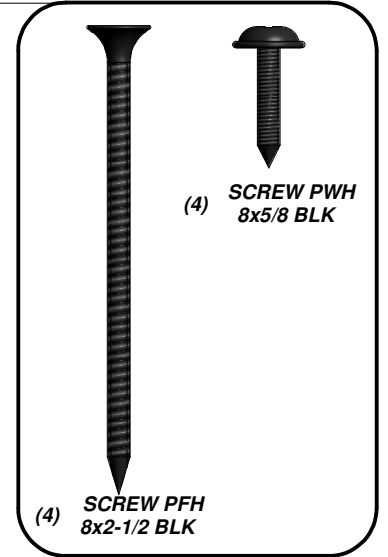
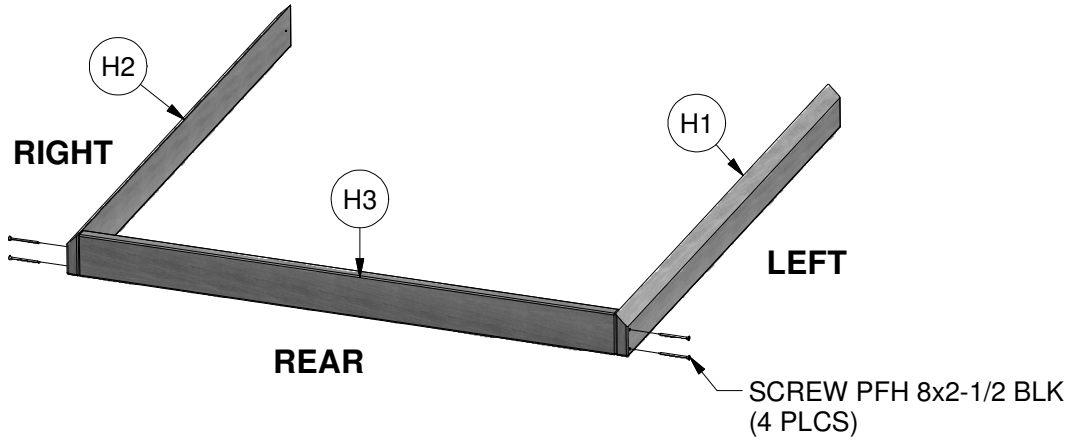


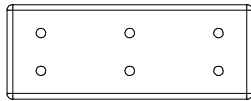
(2) **- 90° L-BRACKET - A4M00555**



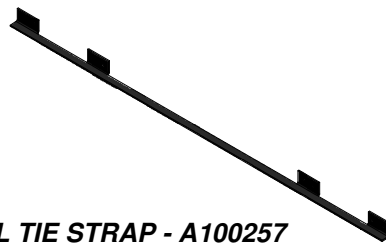
(1) **G1 - FRONT HEADER - W4L05074**
 1"x5 1/4"x45" (24x134x1142)

STEP 3:



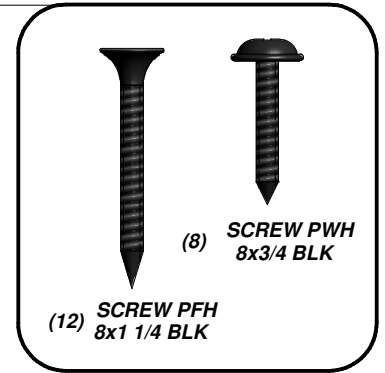
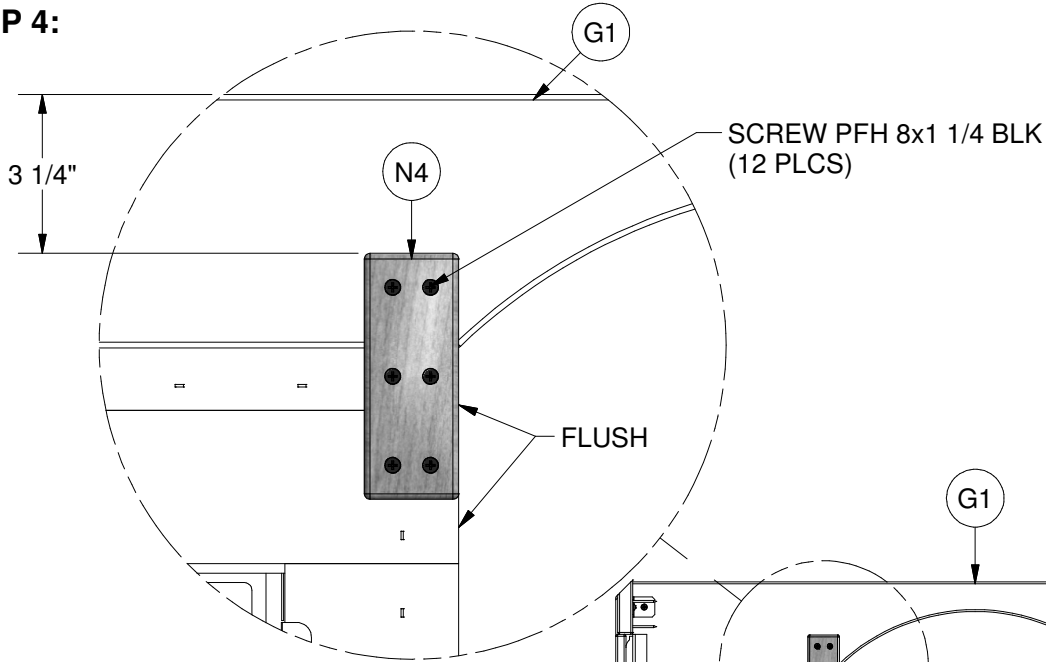


(2) **N4 - TIE STRAP - W4L05075**
5/8"x2"x5 1/8" (16x50x130)



(1) **METAL TIE STRAP - A100257**

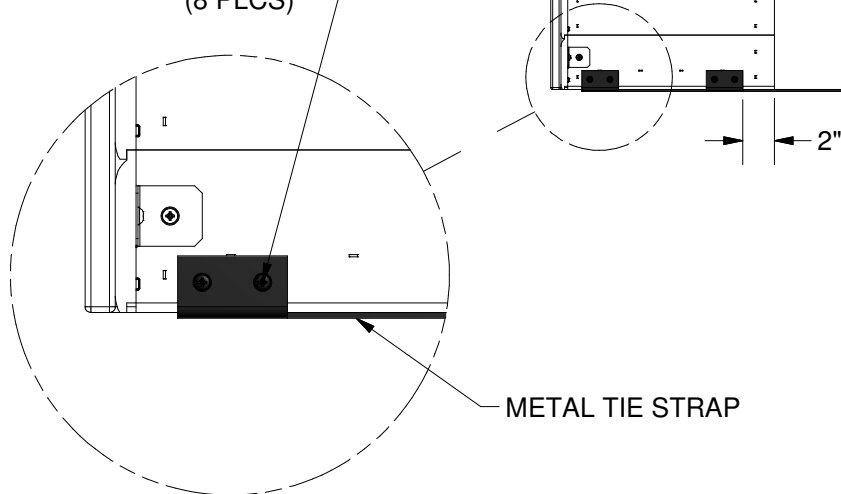
STEP 4:

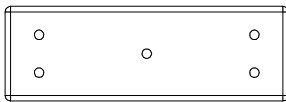


RIGHT

LEFT

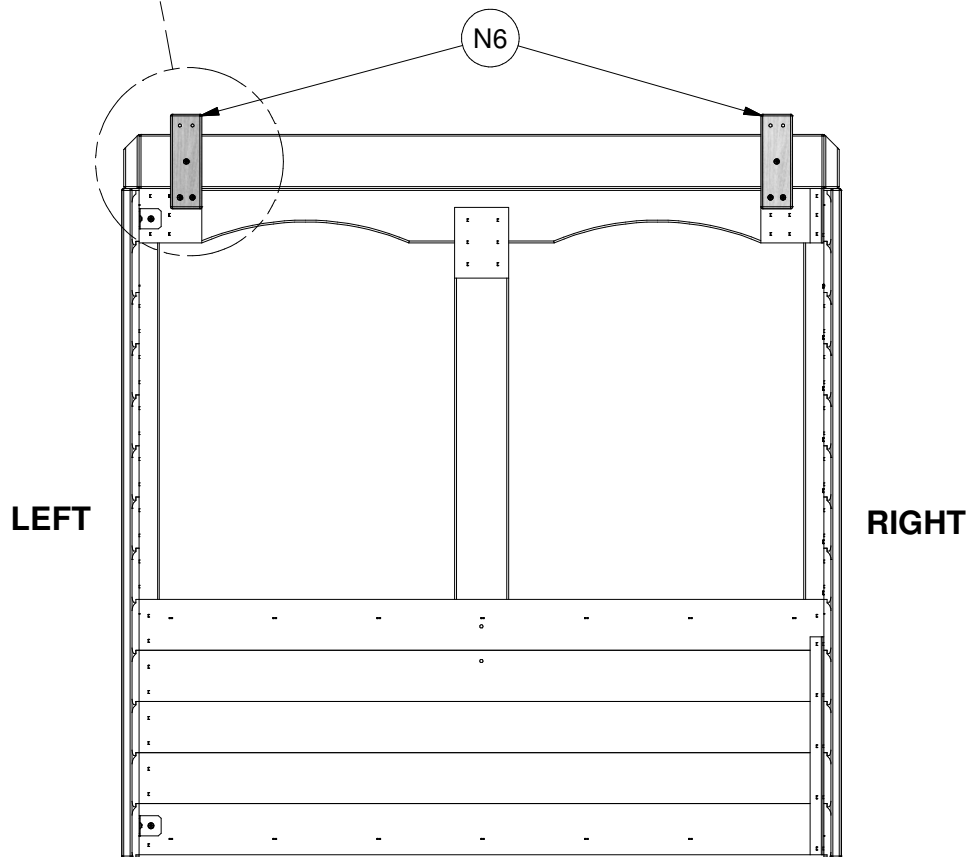
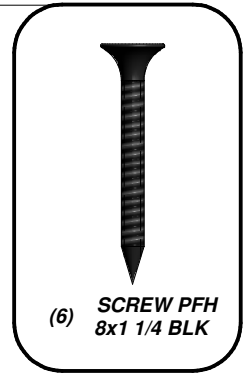
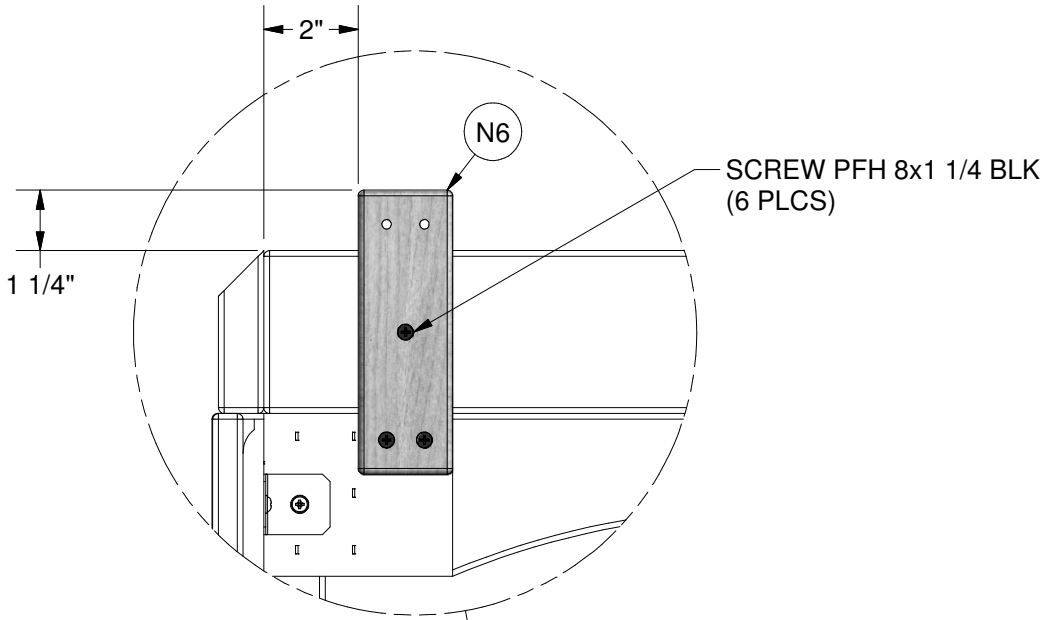
SCREW PWH 8x3/4 BLK
(8 PLCS)

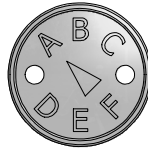
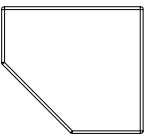




(2) **N6 - TIE STRAP - W4L05078**
5/8" x 2" x 5 7/8" (16x50x150)

STEP 5:



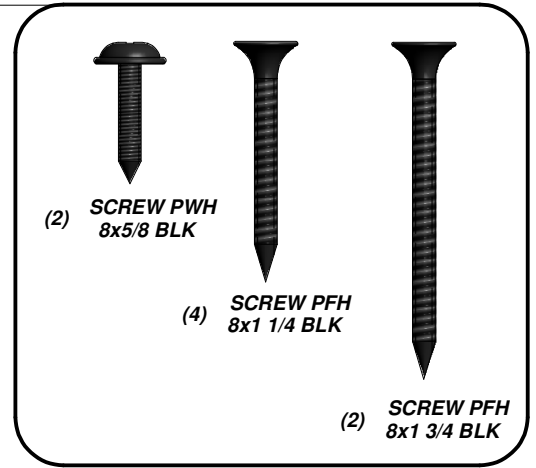
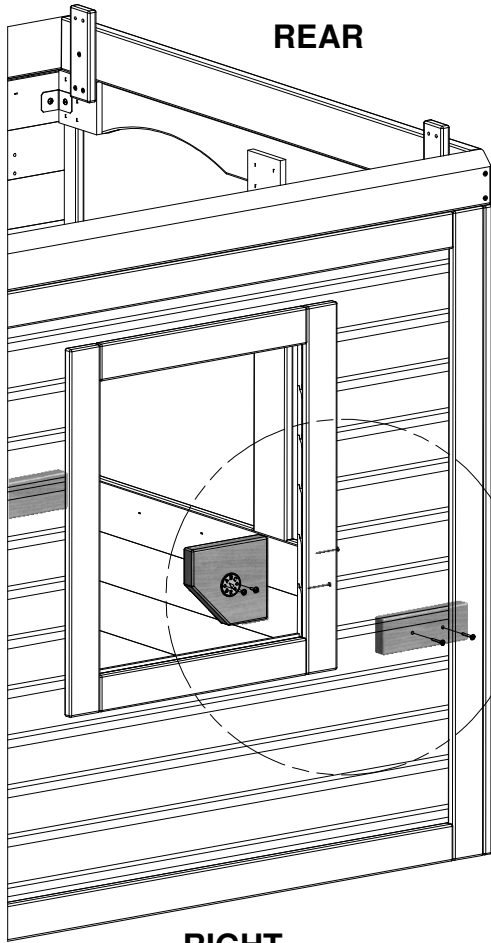


(1) **G2 - WALL SUPPORT - W4L05067**
 1"x5 1/4"x5 7/8" (24x134x150)

(2) **J1 - SUPPORT BOARD - W4L05068**
 1"x2 3/8"x6 3/4" (24x60x170)

(1) **SQ - "A" REVISION TAG - A100314**

STEP 6:



RIGHT

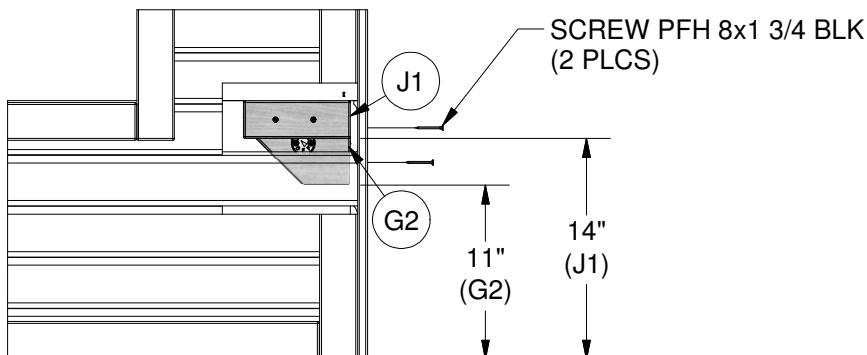
"A" REVISION TAG
(1 PLC)

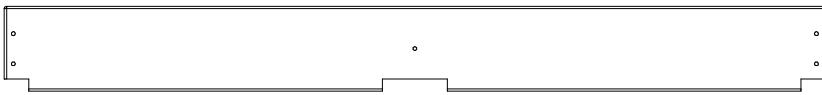
G2

J1

SCREW PWH 8x5/8 BLK
(2 PLCS)

SCREW PFH 8x1 1/4 BLK
(4 PLCS)



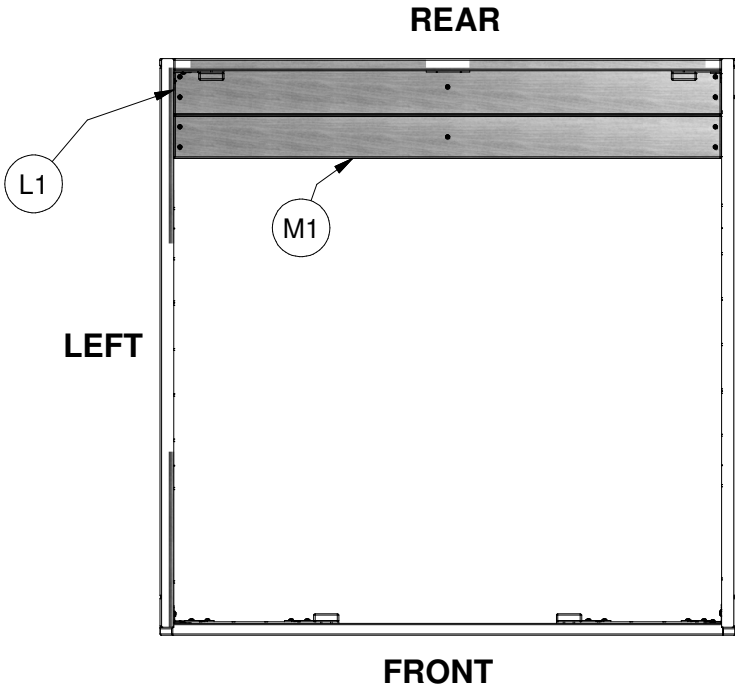


(1) **L1 - CABINET TOP - W4L05076**
5/8"x4 3/8"x42 3/4" (16x112x1087)

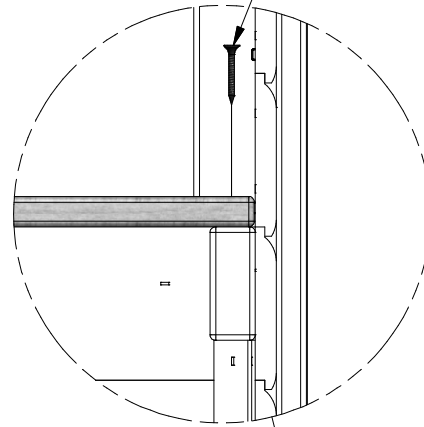


(1) **M1 - FRONT CABINET TOP - W4L05077**
5/8"x3 3/8"x42 3/4" (16x86x1087)

STEP 7:

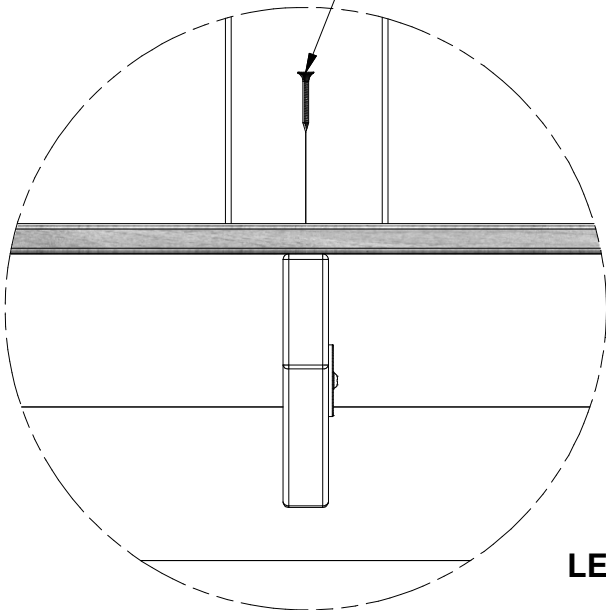


SCREW PFH 8x1 1/4 BLK
(8 PLCS)

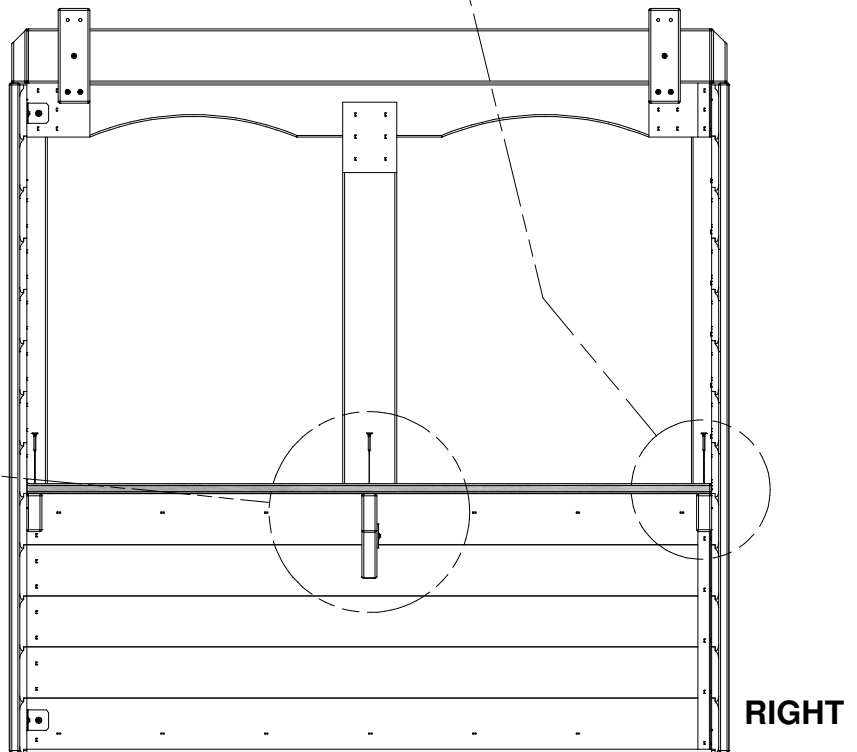


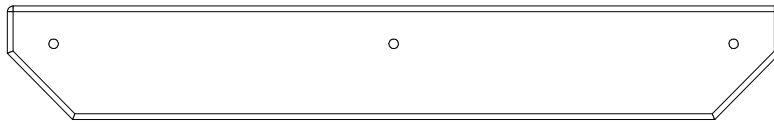
RIGHT

SCREW PFH 8x1 1/4 BLK
(2 PLCS)



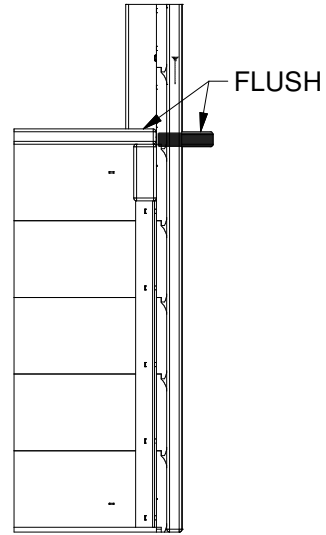
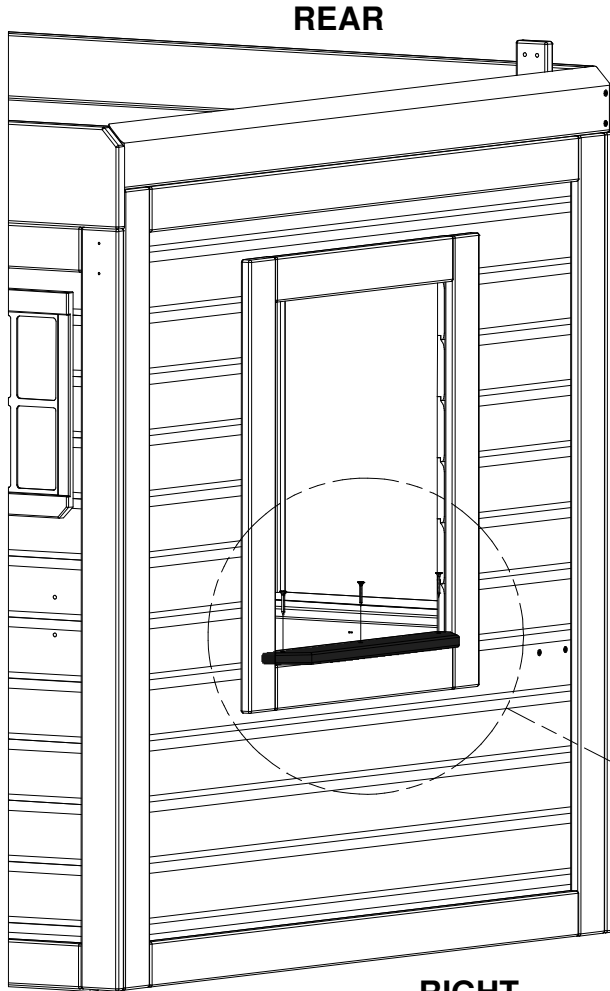
LEFT



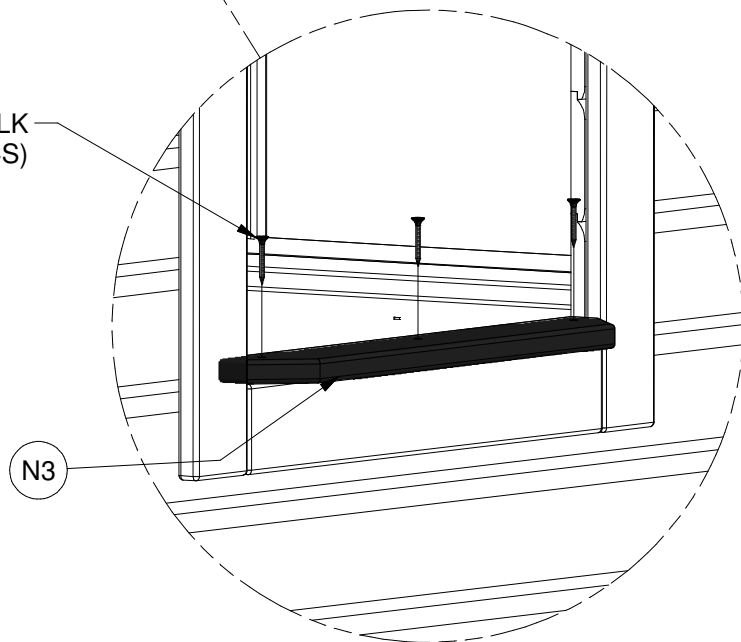


(1) **N3 - LARGE WINDOW SHELF - W4L05065**
5/8"x2 3/8"x16 1/8" (16x60x409)

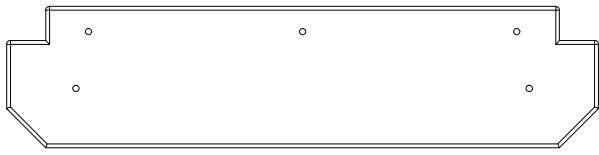
STEP 8:



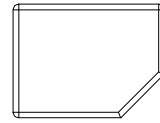
SCREW PFH 8x1 1/4 BLK
(3 PLCS)



N3

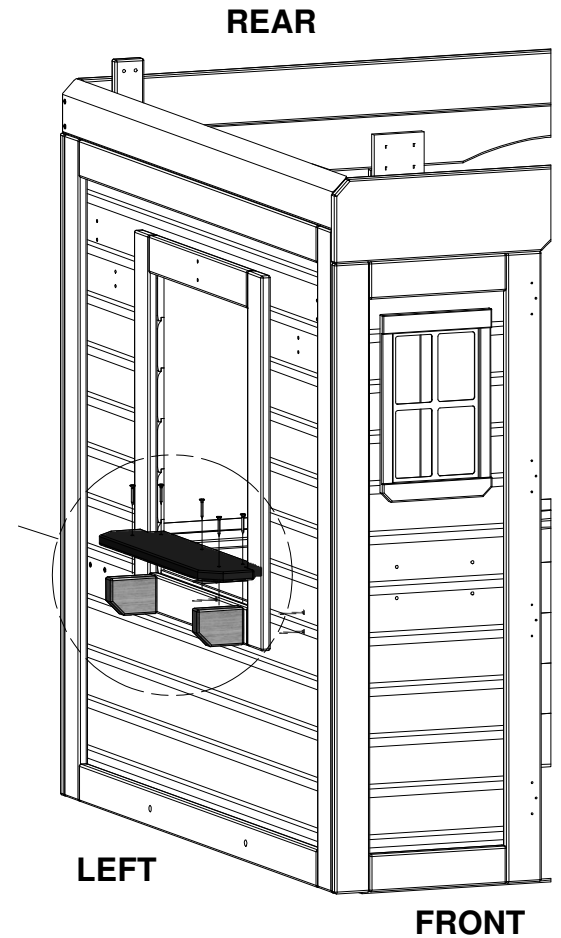
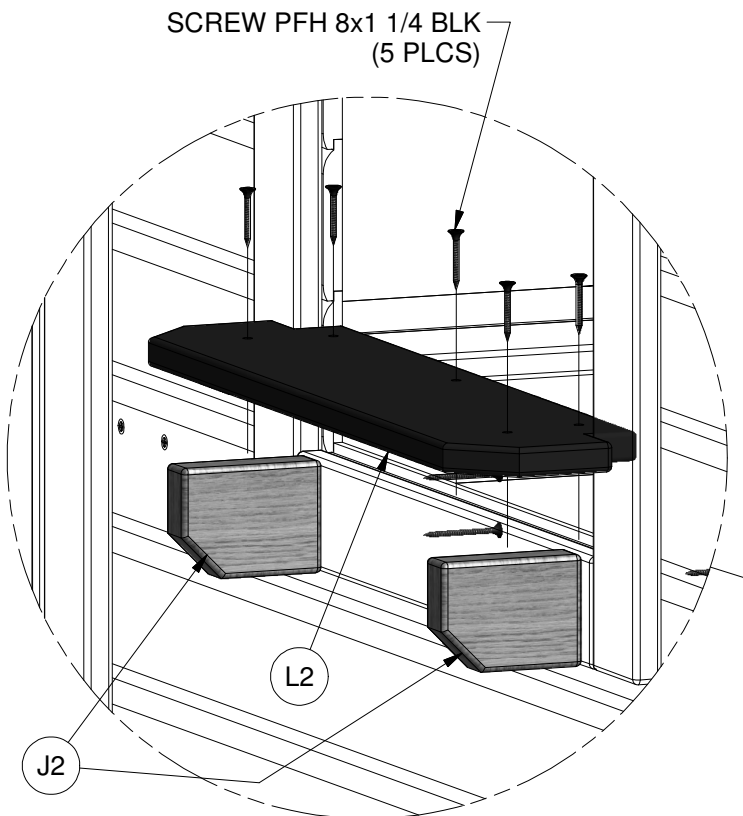
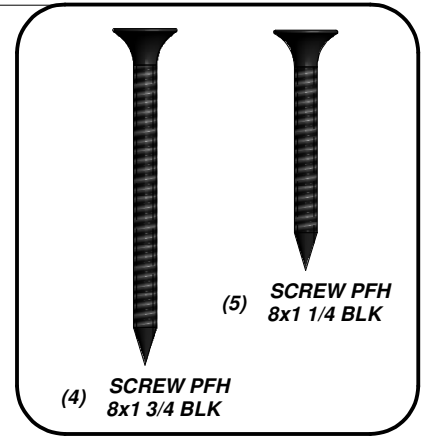
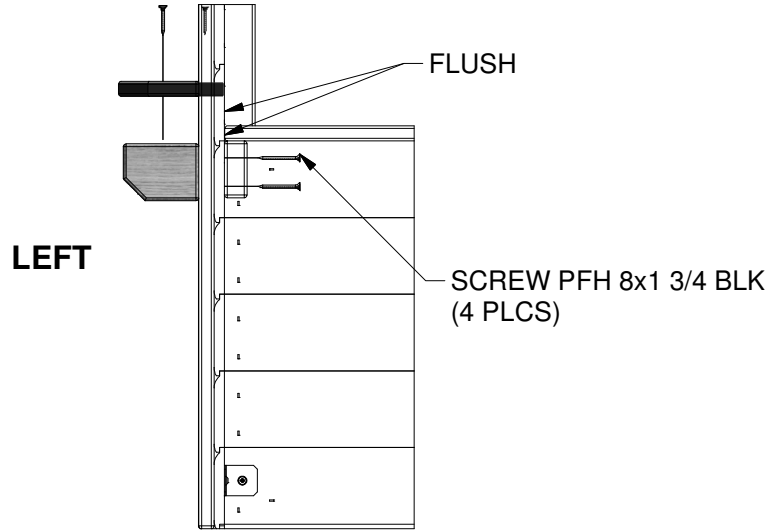


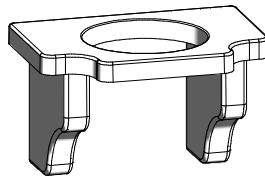
(1) **L2 - SERVING SHELF - W4L05287**
5/8"x4 3/8"x18 1/2" (16x112x470)



(2) **J2 - SHELF SUPPORT - W4L05288**
1"x2 3/8"x3 1/8" (24x60x80)

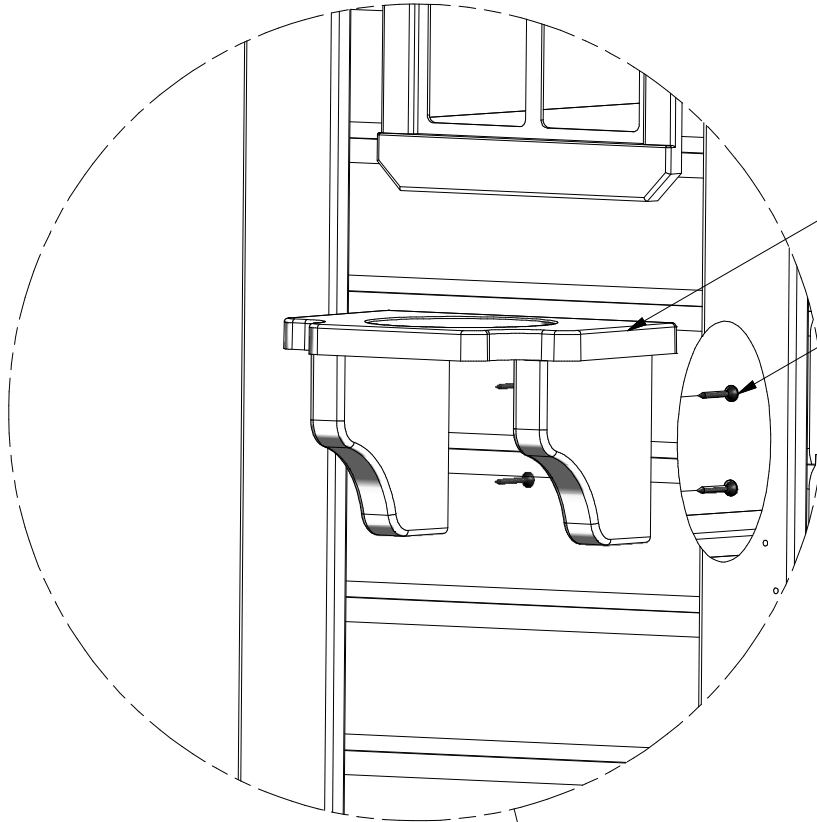
STEP 9:





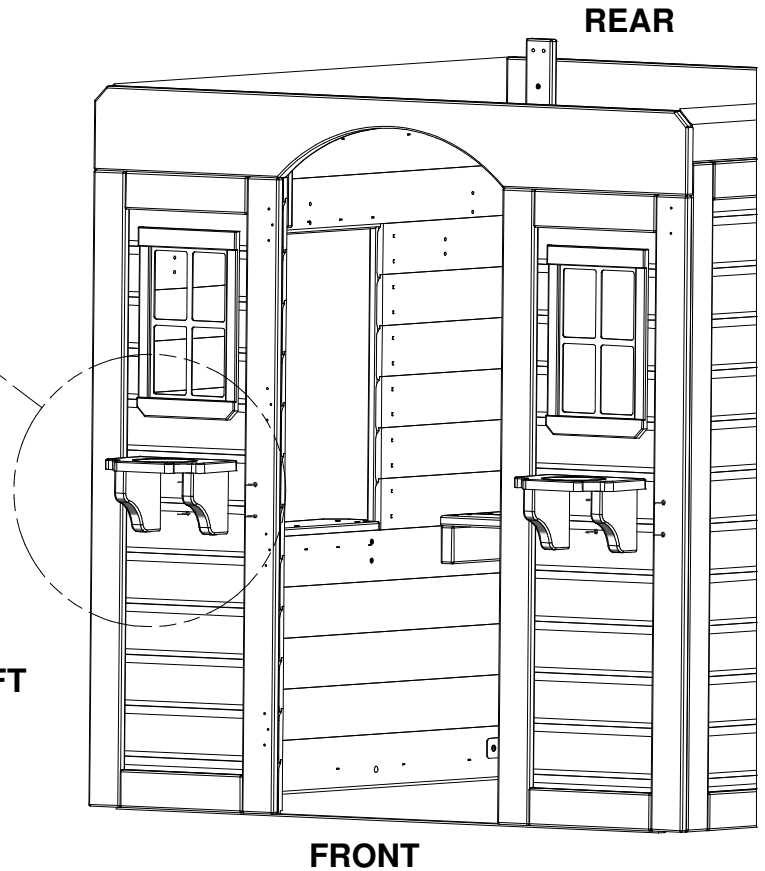
(2) FLOWER POT HOLDER - A6P00023

STEP 10:



FLOWER POT HOLDER
(2 PLCS)

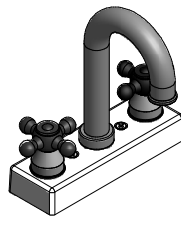
SCREW PFH 8x1 1/4 BLK
(8 PLCS)



LEFT

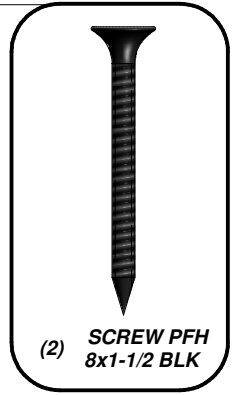
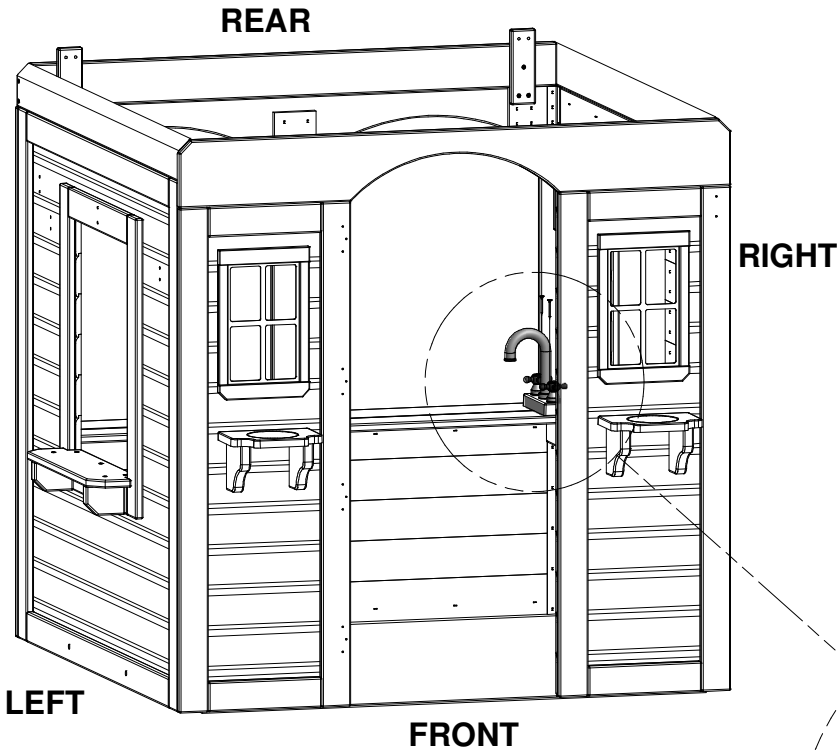
FRONT

REAR

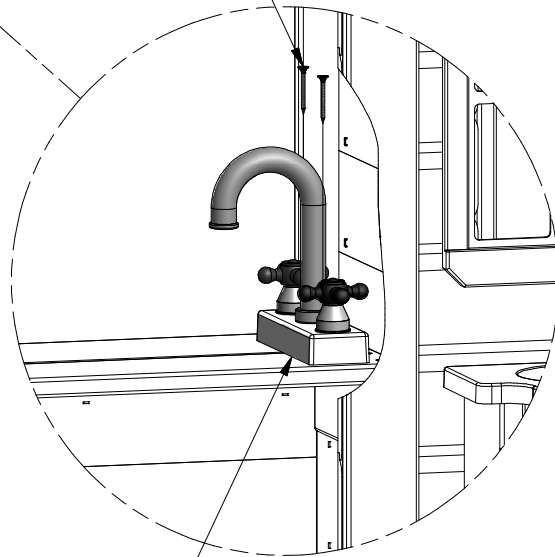


(1) FAUCET KIT - A6P00024

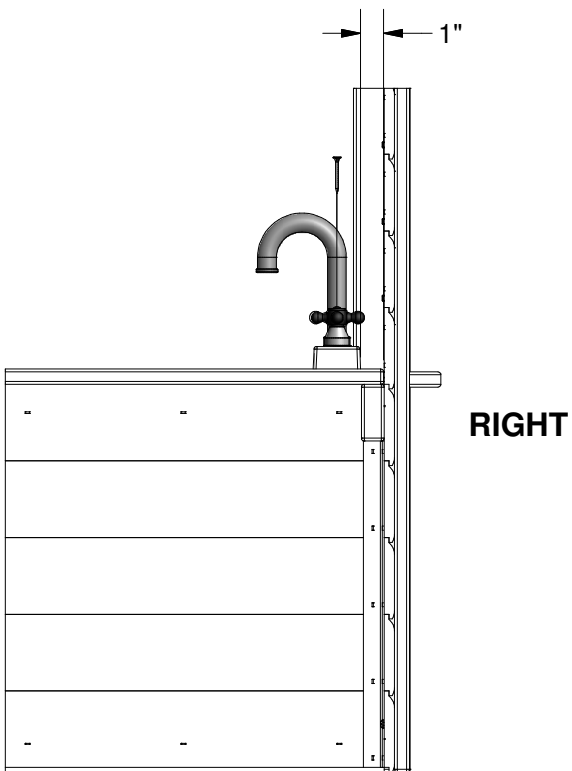
STEP 11:

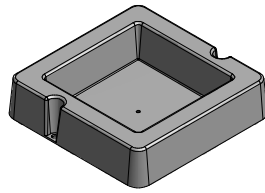


SCREW PFH 8x1-1/2 BLK
(2 PLCS)



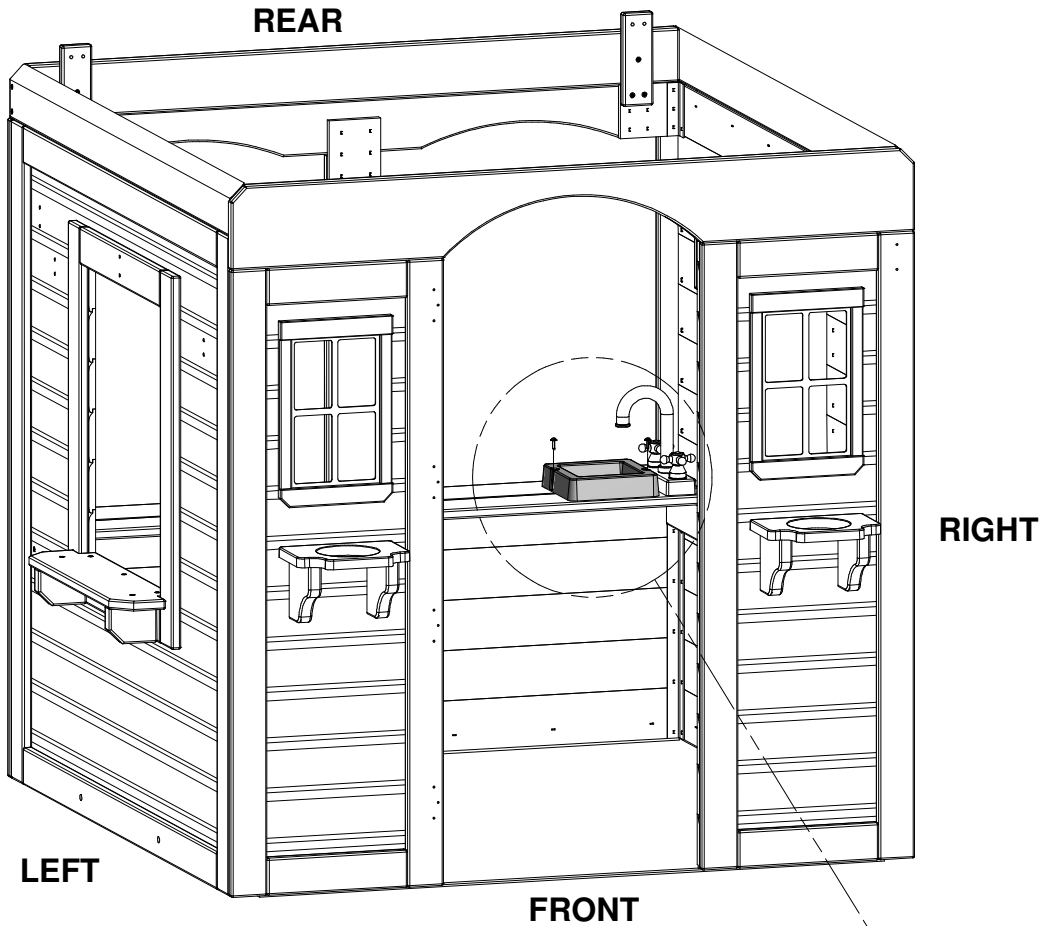
FAUCET KIT
(1 PLC)





(1) SURFACE MOUNT BASIN - A6P00032

STEP 12:



LEFT

REAR

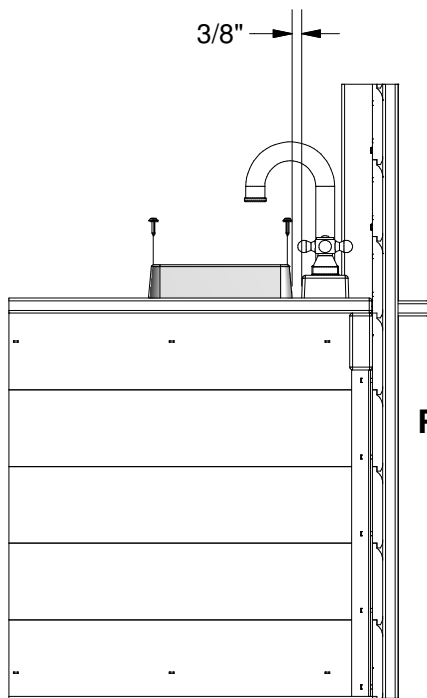
FRONT

RIGHT

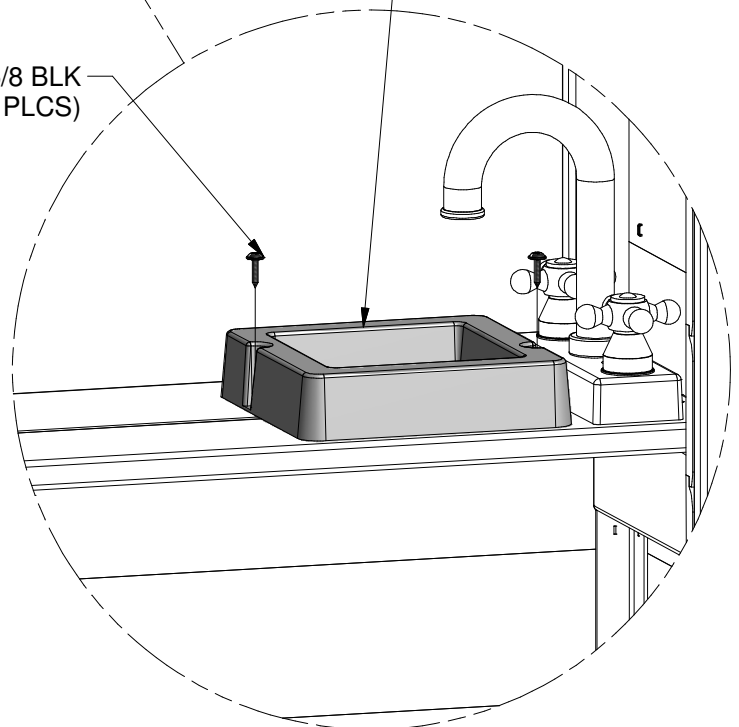
SURFACE MOUNT BASIN
(1 PLC)

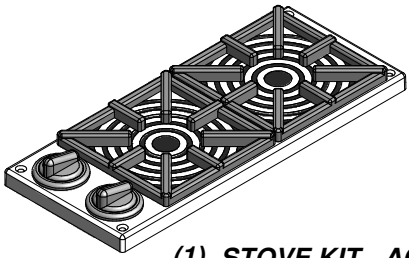
SCREW PWH 8x5/8 BLK
(2 PLCS)

3/8"



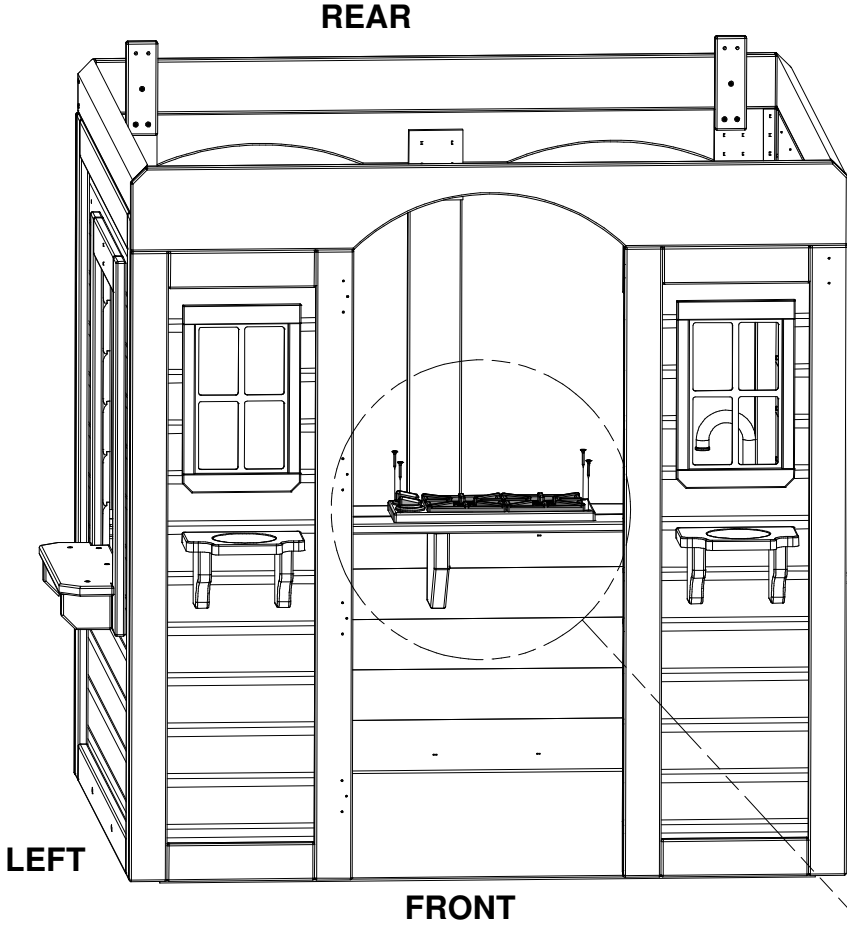
RIGHT





(1) STOVE KIT - A6P00025

STEP 13:

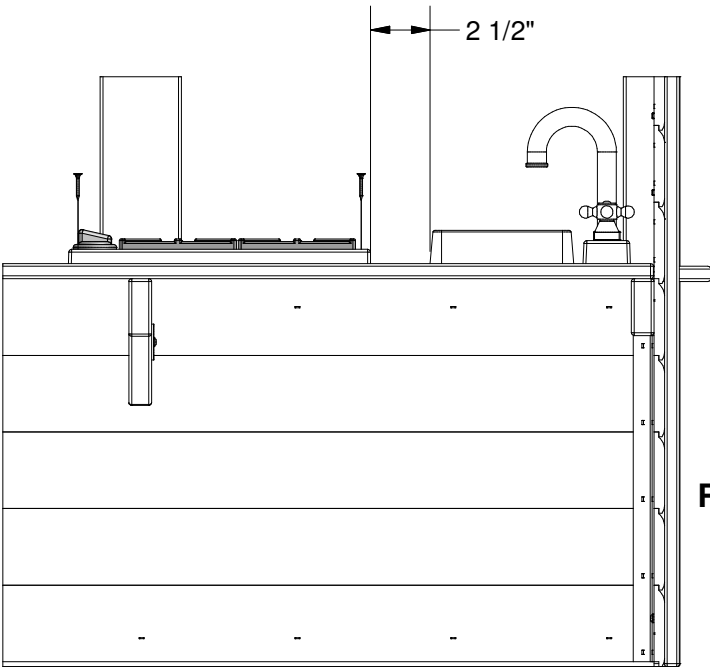


RIGHT

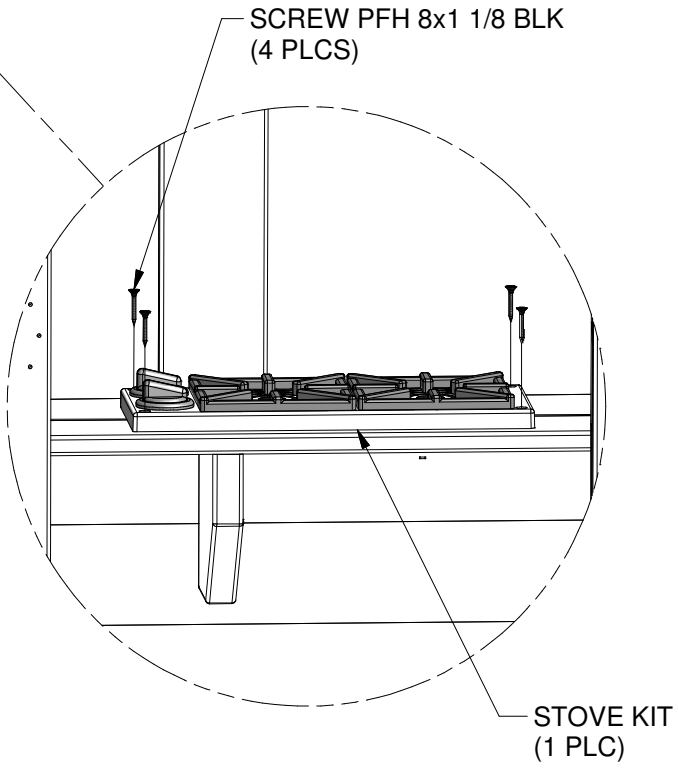
LEFT

FRONT

2 1/2"

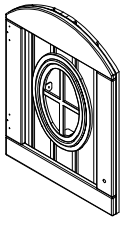


RIGHT

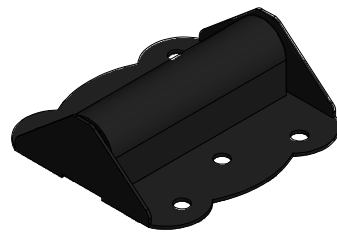


SCREW PFH 8x1 1/8 BLK
(4 PLCS)

STOVE KIT
(1 PLC)

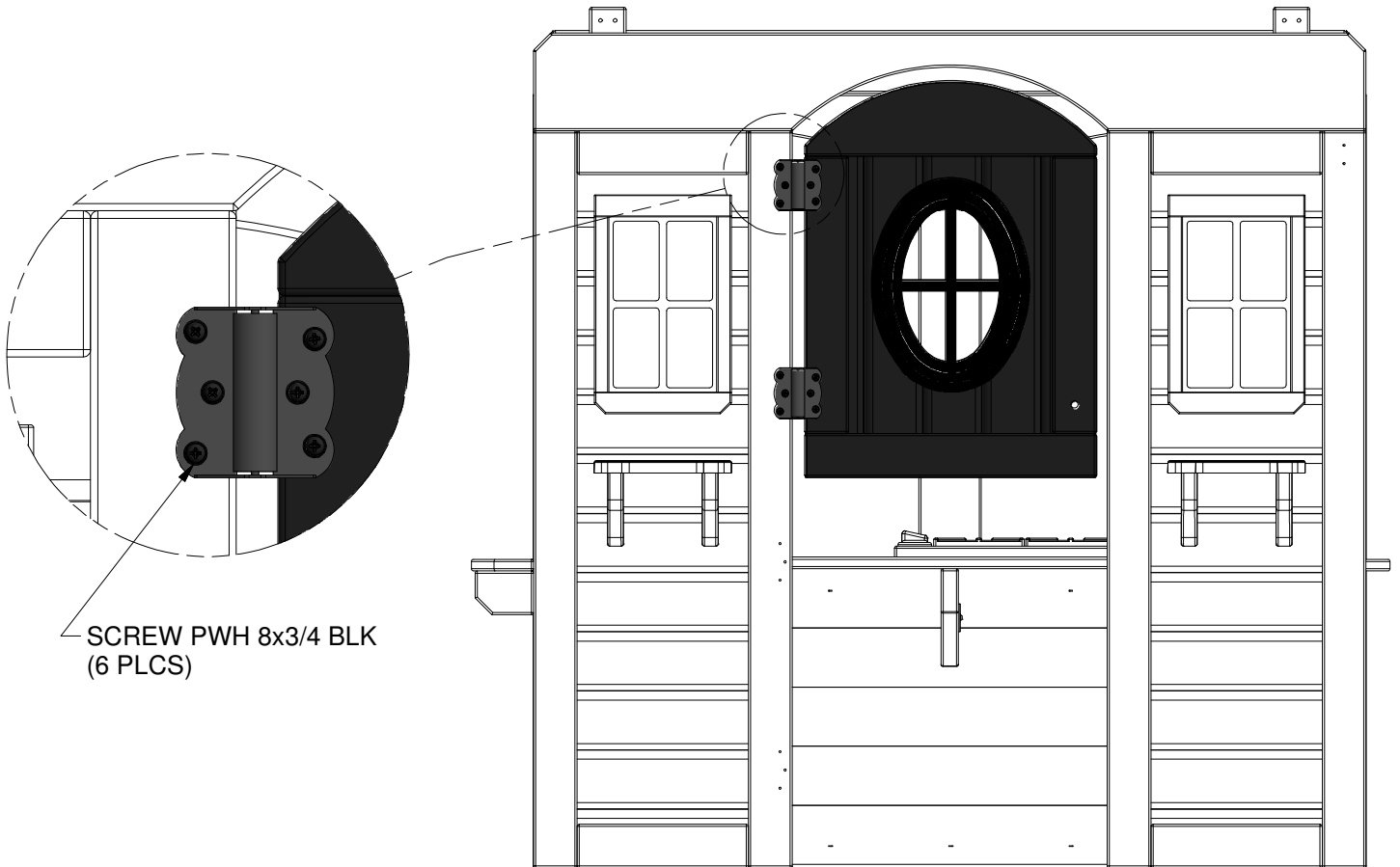
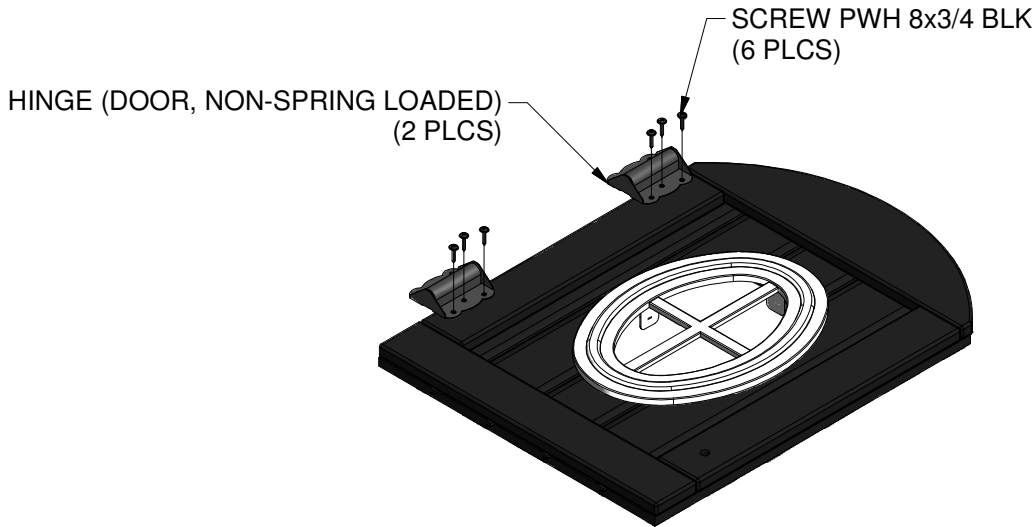


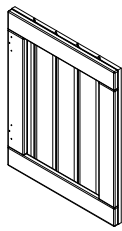
(1) DP1 - TOP DOOR PANEL - W2A01596
1"x15 3/4"x21 7/16" (27x400x544)



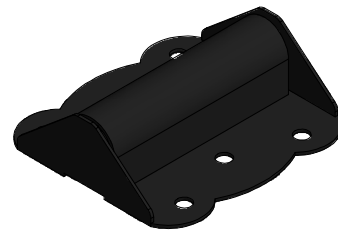
(2) HINGE (DOOR, NON-SPRING LOADED) - A4M00558

STEP 14:



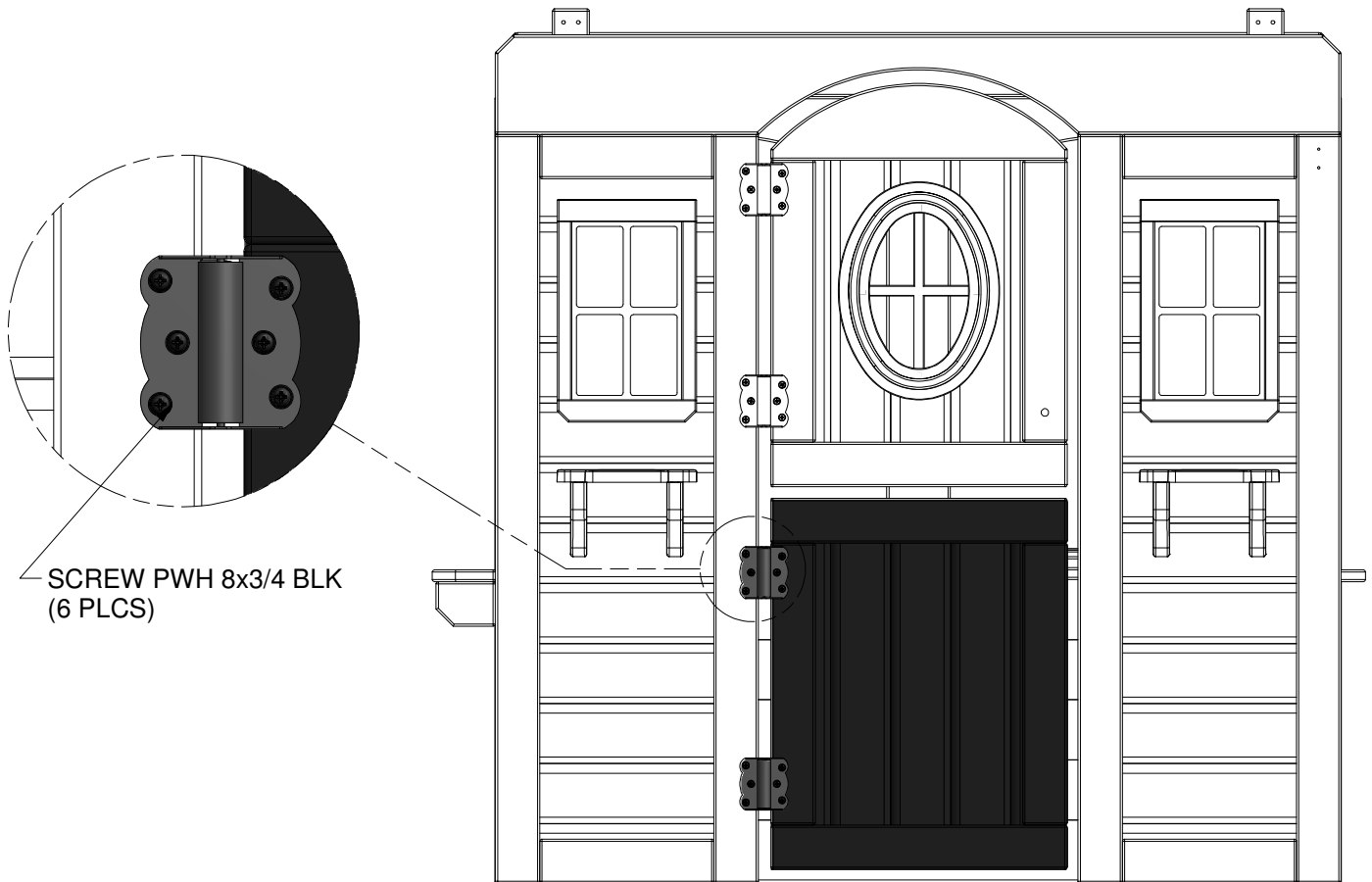
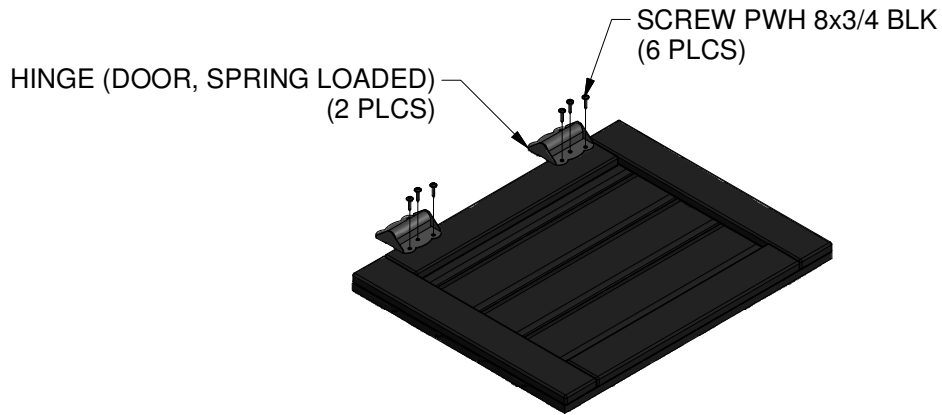


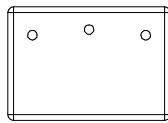
(1) DP2 - BOTTOM DOOR PANEL - W2A01597
1"x15 3/4"x19 3/4" (27x400x500)



(2) HINGE (DOOR, SPRING LOADED) - A100327

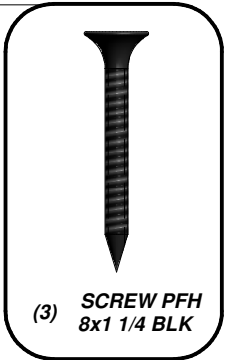
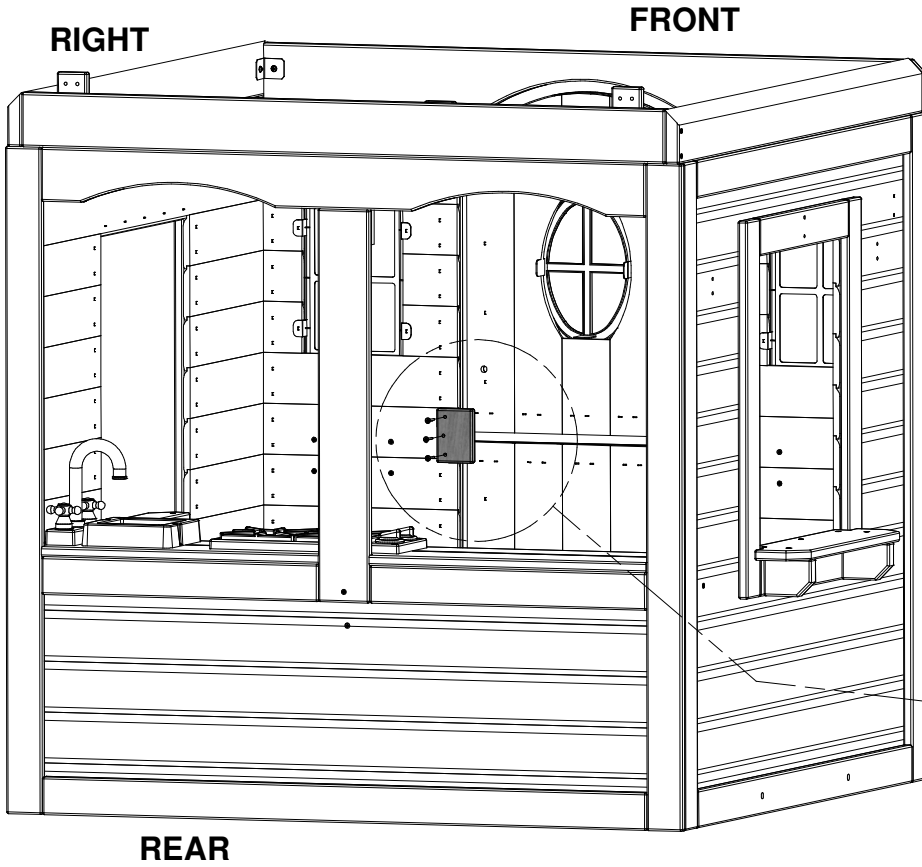
STEP 15:





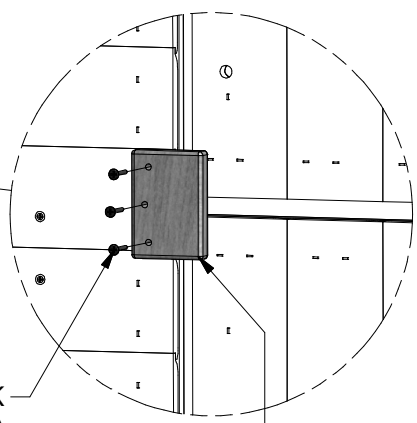
- (1) **N5 - DOOR STOP - W4L05070**
5/8"x2 3/8"x3 3/8" (16x60x86)

STEP 16:



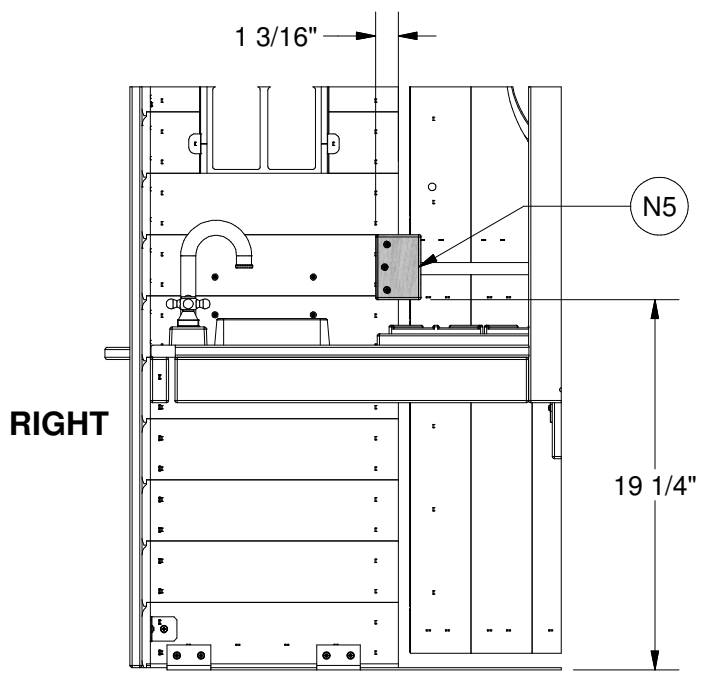
(3) **SCREW PFH**
8x1 1/4 **BLK**

LEFT



SCREW PFH 8x1 1/4 BLK
(3 PLCS)

N5

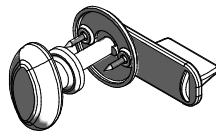


1 3/16"

19 1/4"

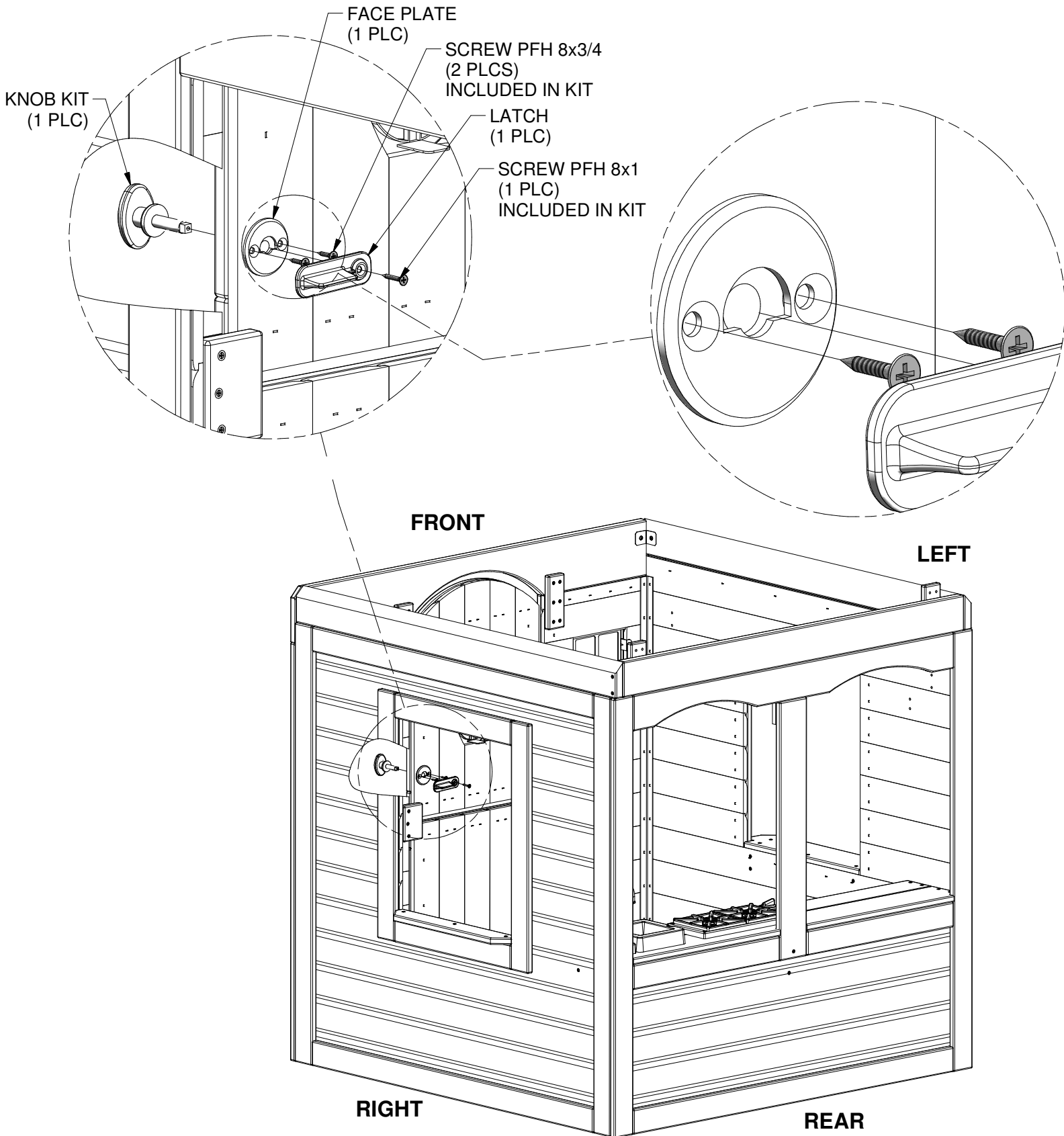
N5

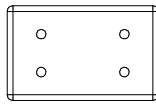
RIGHT



(1) **KNOB KIT - A6P00020**

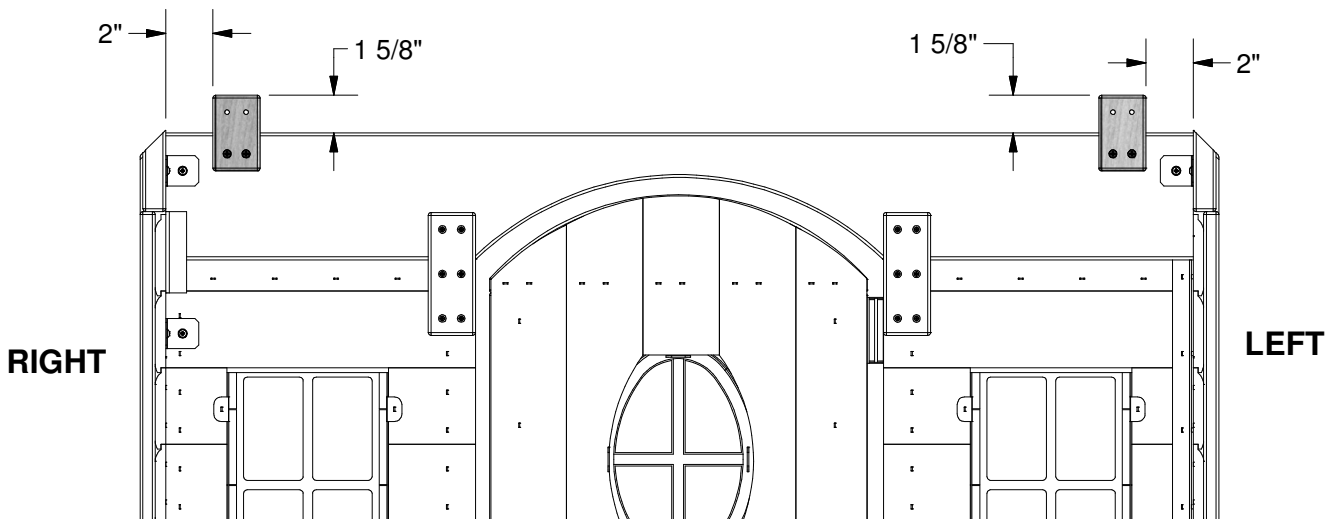
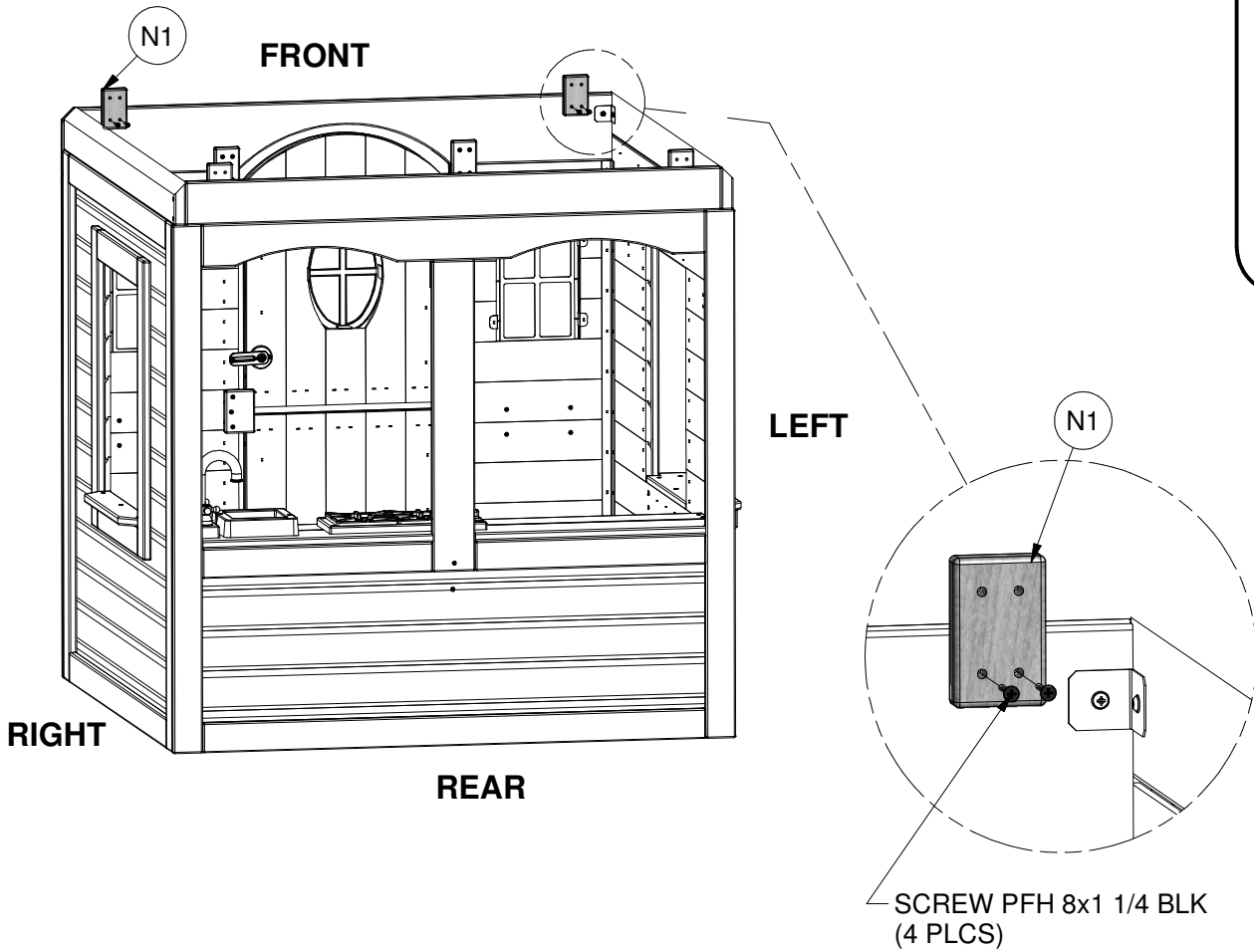
STEP 17:

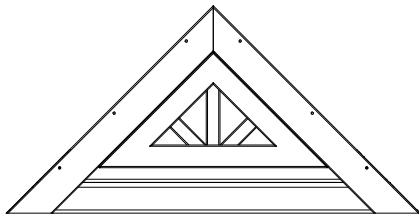




(2) **N1 - TIE STRAP - W4L05043**
5/8"x2"x3 1/8" (16x50x80)

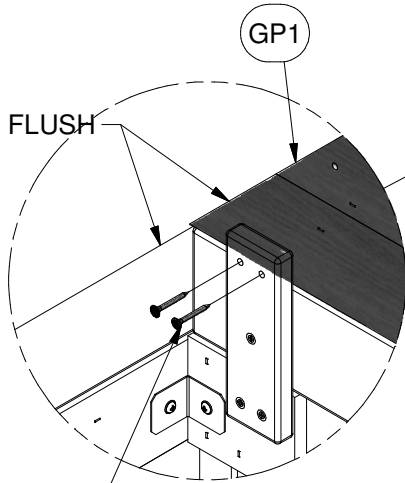
STEP 18:



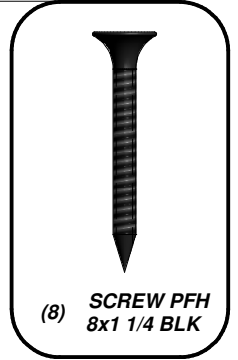
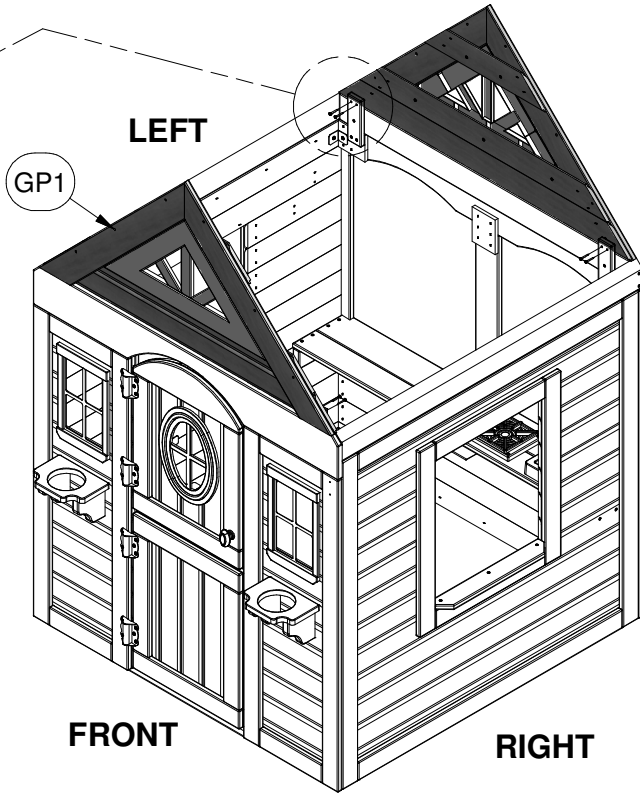


(2) GP1 - GABLE END ASSEMBLY - W2A01581
1"x43 1/8"x21 1/2" (27x1095x547)

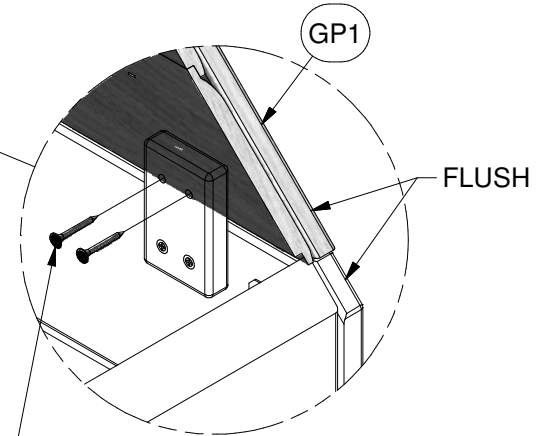
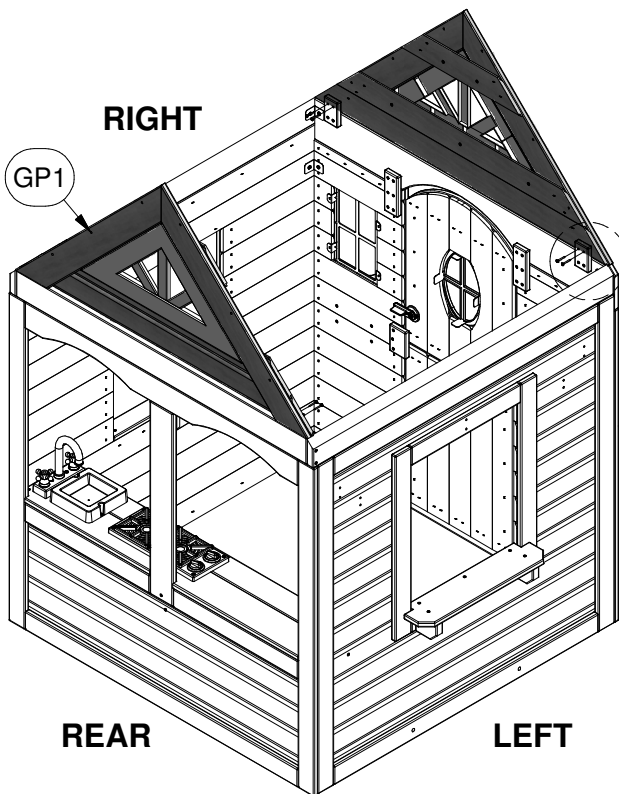
STEP 19:



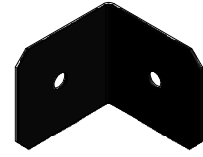
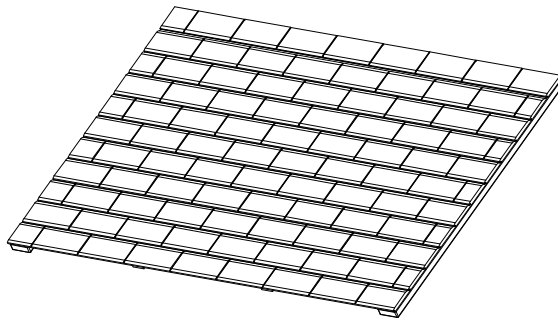
SCREW PFH 8x1 1/4 BLK
(4 PLCS)



(8) SCREW PFH
8x1 1/4 BLK



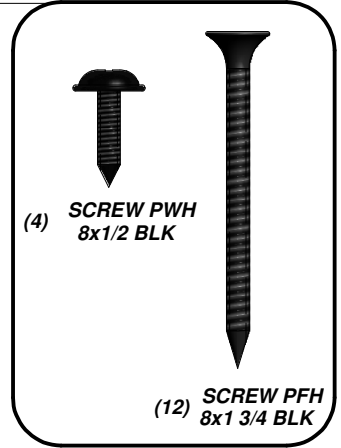
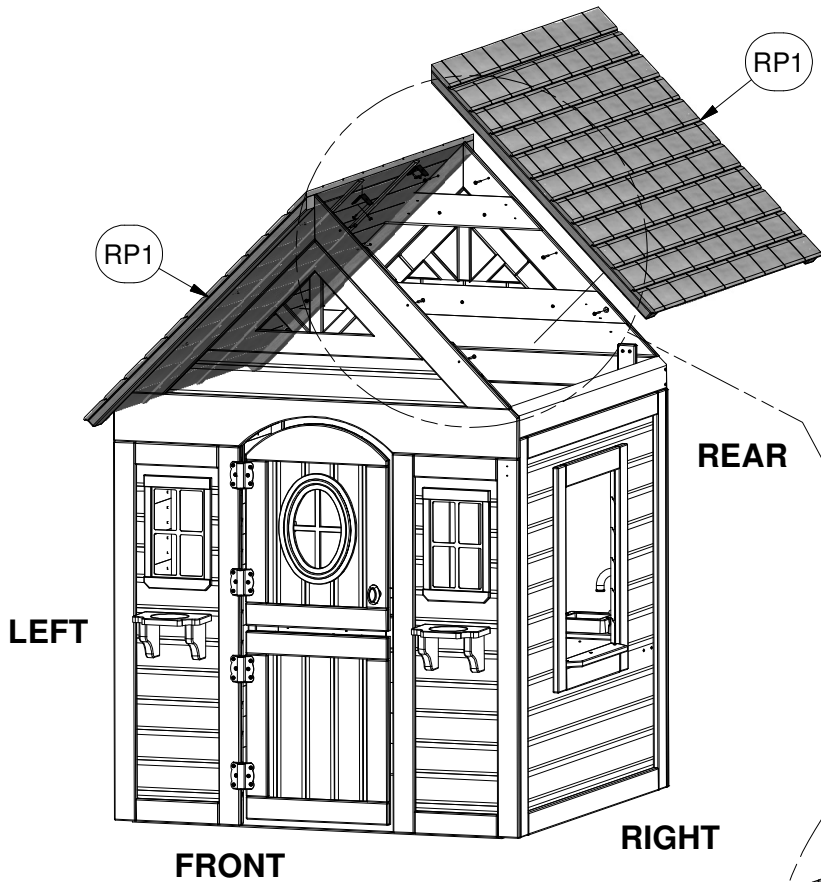
SCREW PFH 8x1 1/4 BLK
(4 PLCS)



(2) - 90° L-BRACKET - BLK - A4M00555

(2) RP1 - ROOF PANEL - W2A01582
1 3/8"x35 3/16"x50" (35x894x1270)

STEP 20:



LEFT

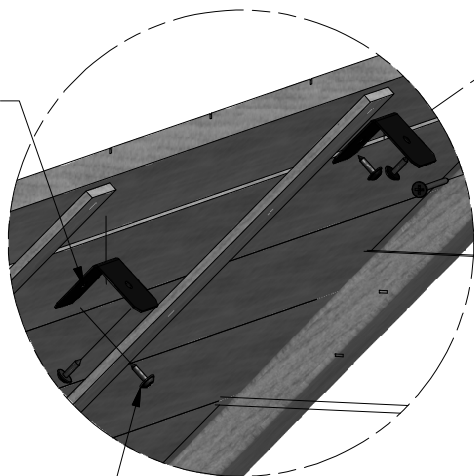
REAR

FRONT

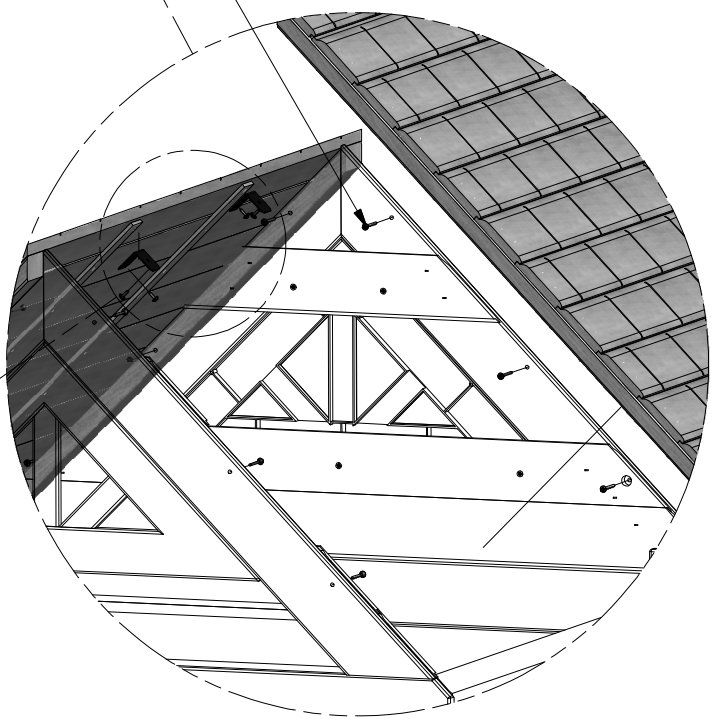
RIGHT

SCREW PFH 8x1 3/4 BLK
(12 PLCS)

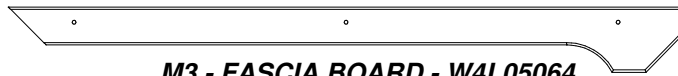
90° L-BRACKET - BLK
(2 PLCS)



SCREW PWH 8x1/2 BLK
(4 PLCS)

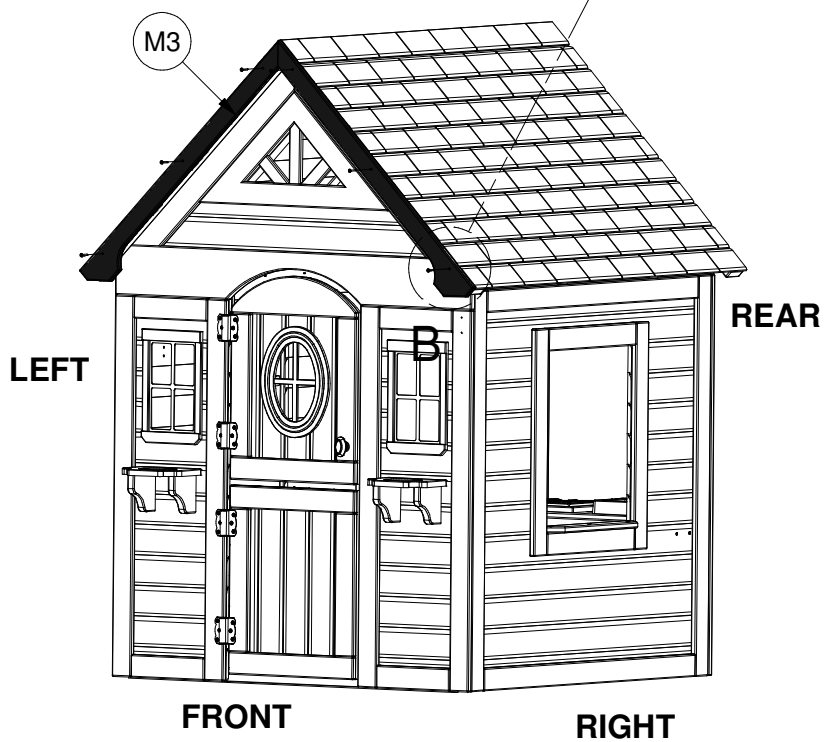
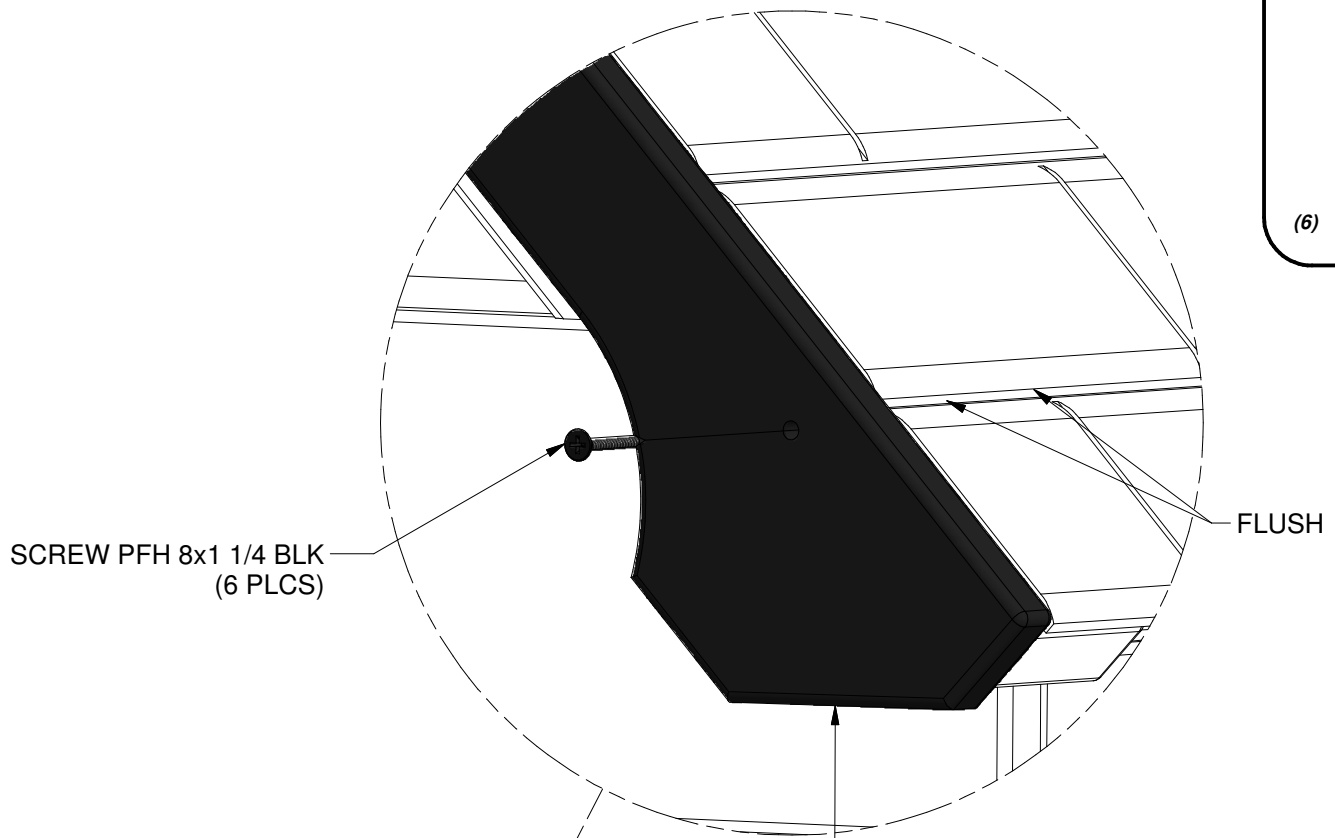
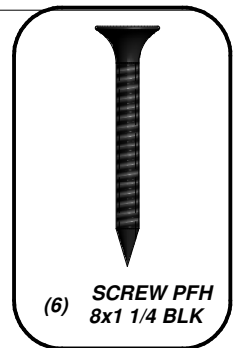


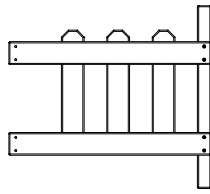
NOTE: L-BRACKETS MOUNT TO ROOF CLEATS



(2) **M3 - FASCIA BOARD - W4L05064**
5/8"x3 3/8"x35 1/4" (16x86x894)

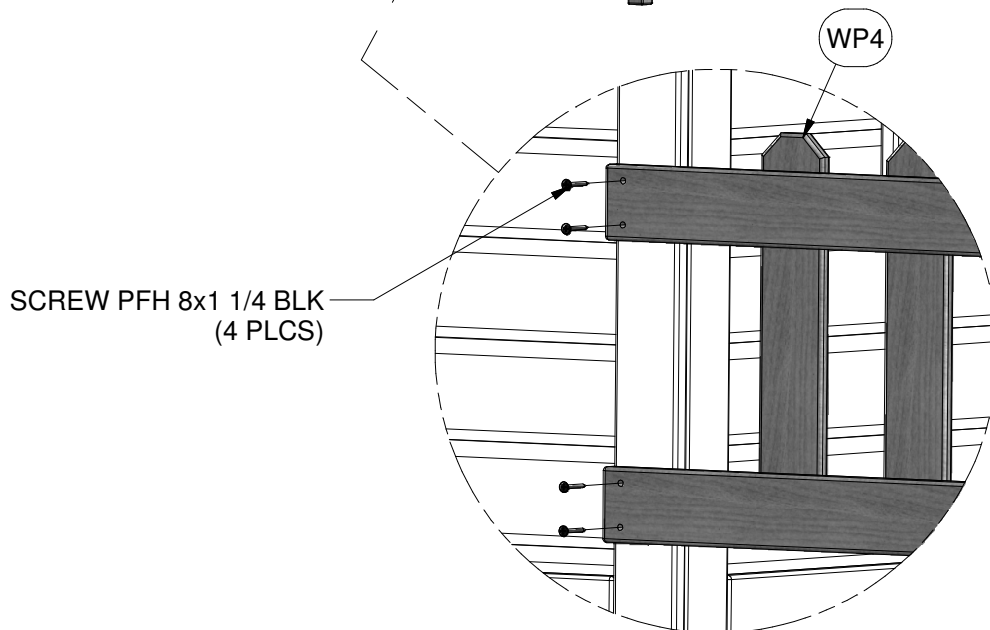
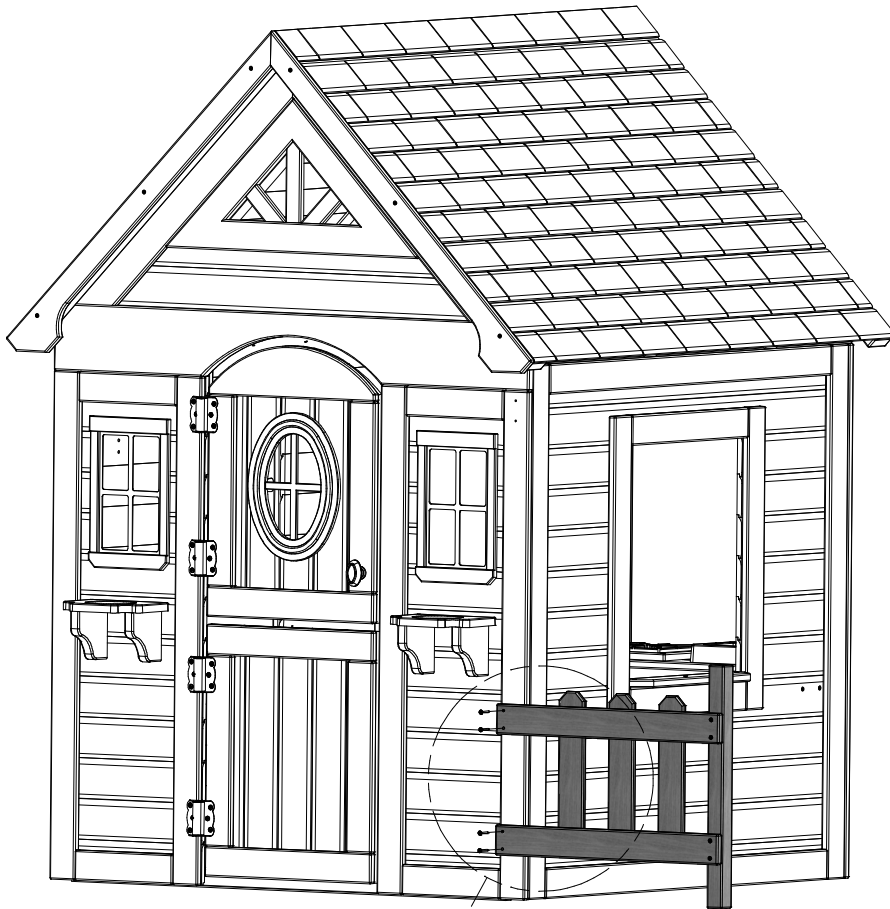
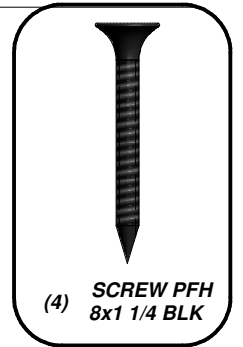
STEP 21:

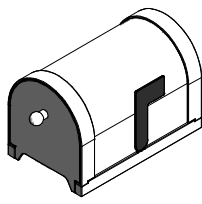




(1) WP4 - PICKET FENCE ASSEMBLY - W2A01598
2"x19"x21" (52x483x535)

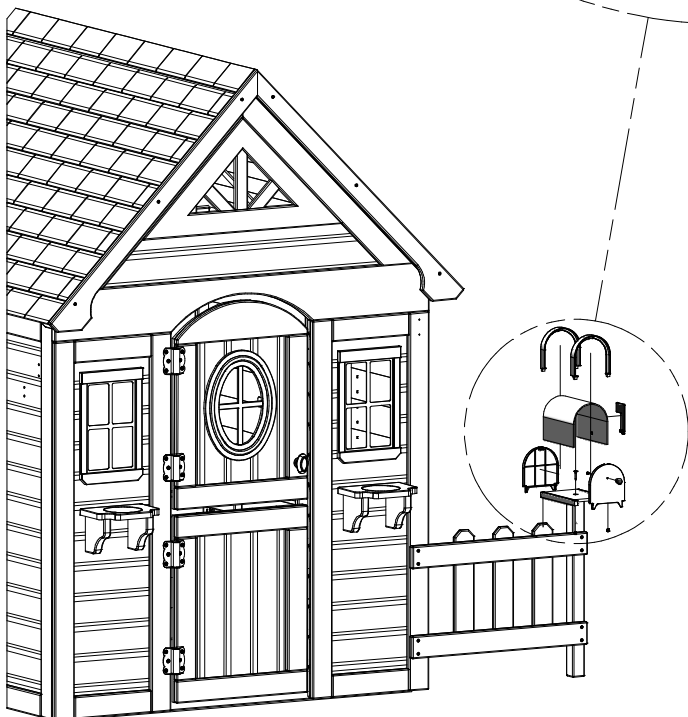
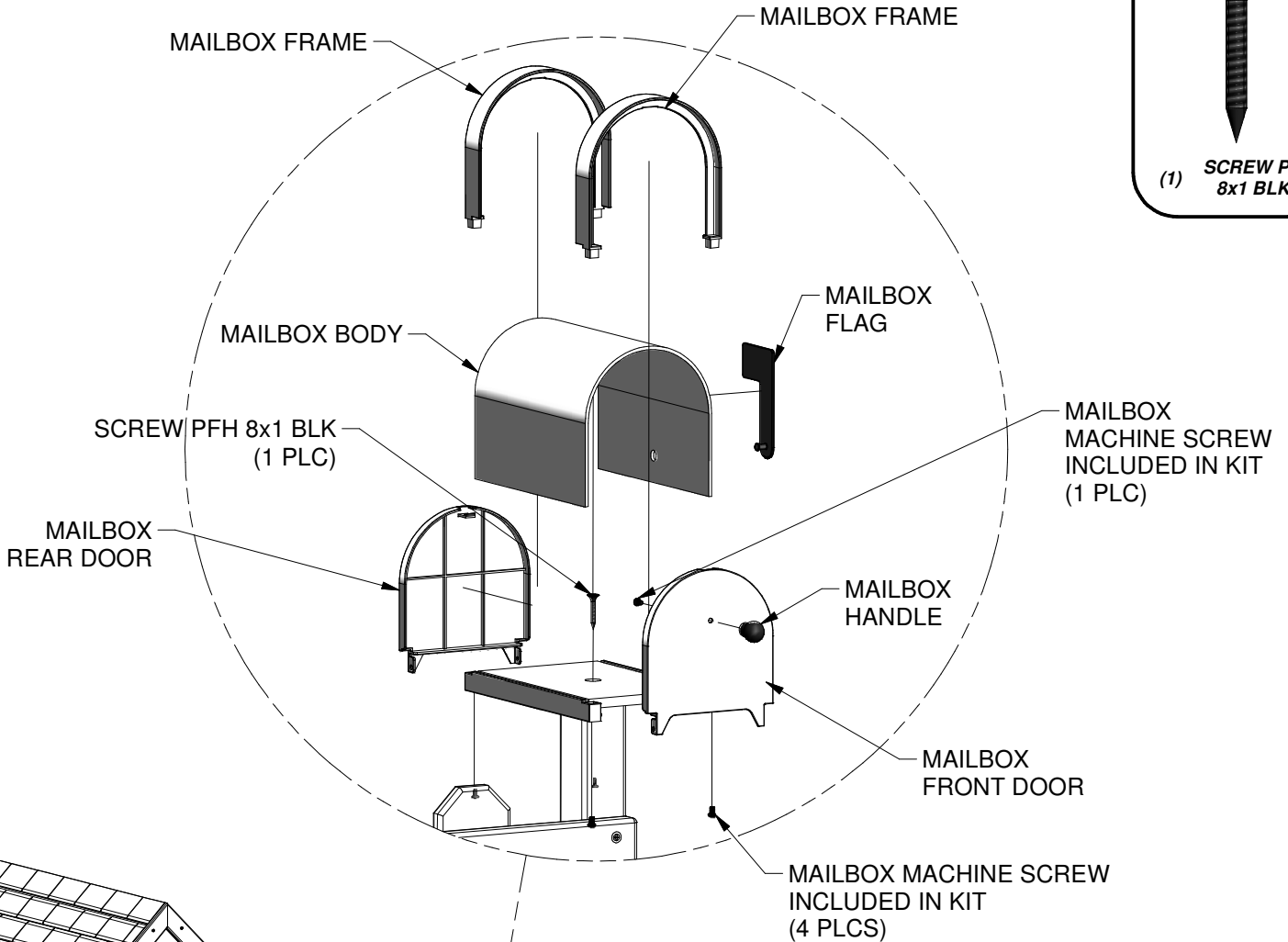
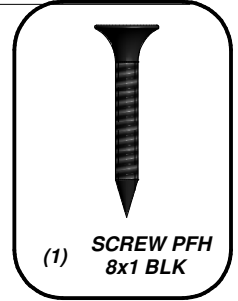
STEP 22:





(1) MAILBOX KIT - A6P00017

STEP 23:



FRONT

ASSEMBLE MAILBOX BASE TO PICKET FENCE POST USING (1) 8x1" PFH SCREW.

PRESS MAILBOX BODY INTO INSIDE OF MAILBOX FRAMES AND ATTACH TO BASE USING (4) MAILBOX MACHINE SCREWS.

LOCATE MAILBOX REAR DOOR AND SNAP INTO PLACE INSIDE MAILBOX FRAME. LOCATE MAILBOX FRONT DOOR AND MAILBOX HANDLE.

ASSEMBLE HANDLE TO MAILBOX FRONT DOOR USING (1) MAILBOX MACHINE SCREW.

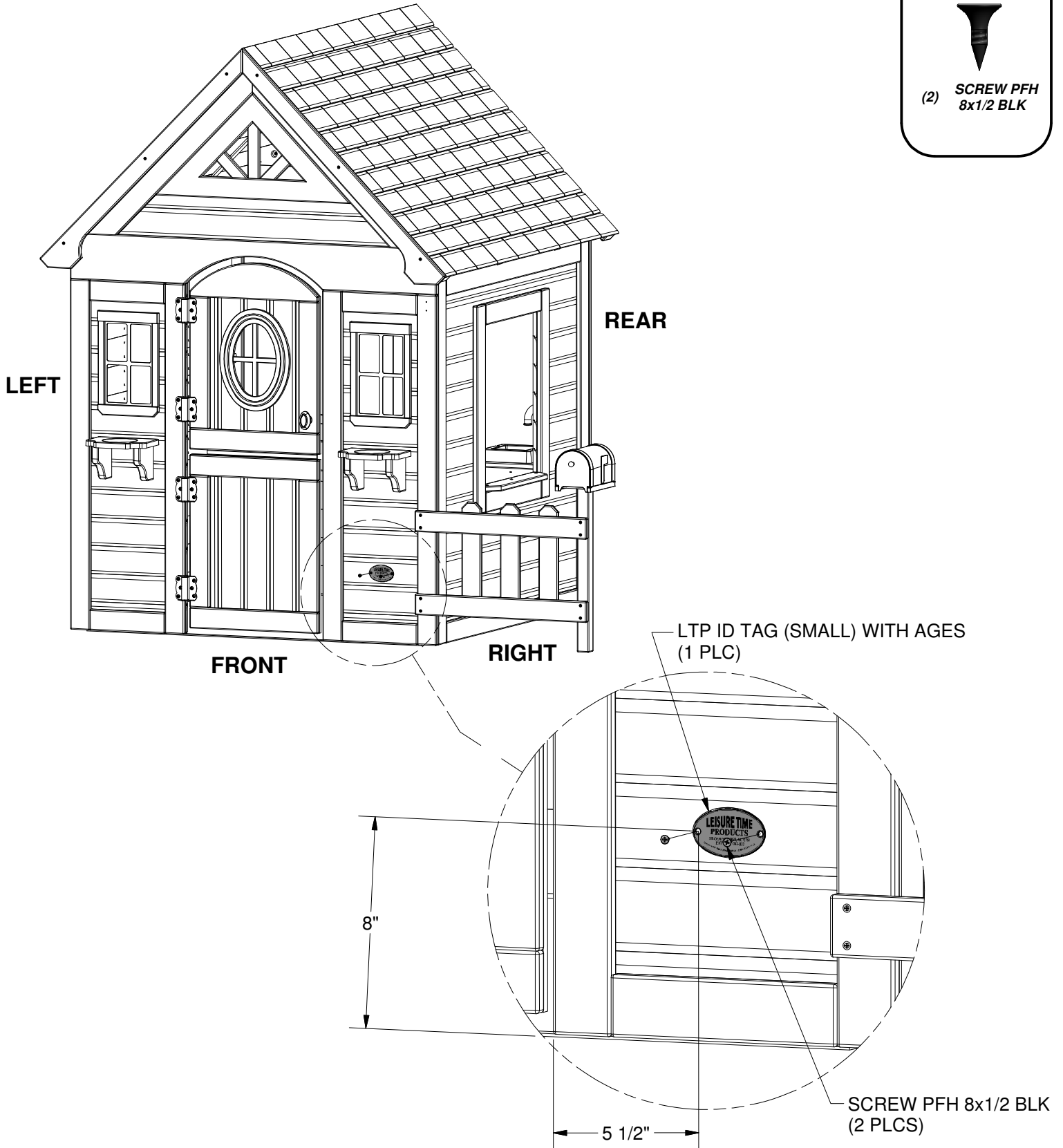
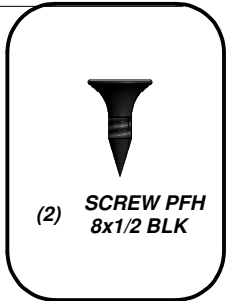
SNAP MAILBOX FRONT DOOR INTO MAILBOX FRAME.

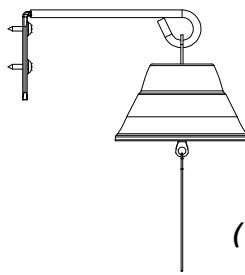
FINALLY, PRESS THE MAILBOX FLAG INTO PLACE ON THE SIDE OF THE MAILBOX BODY.



(1) LTP ID TAG (SMALL) WITH AGES - A4M00515

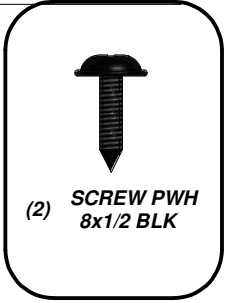
STEP 24:



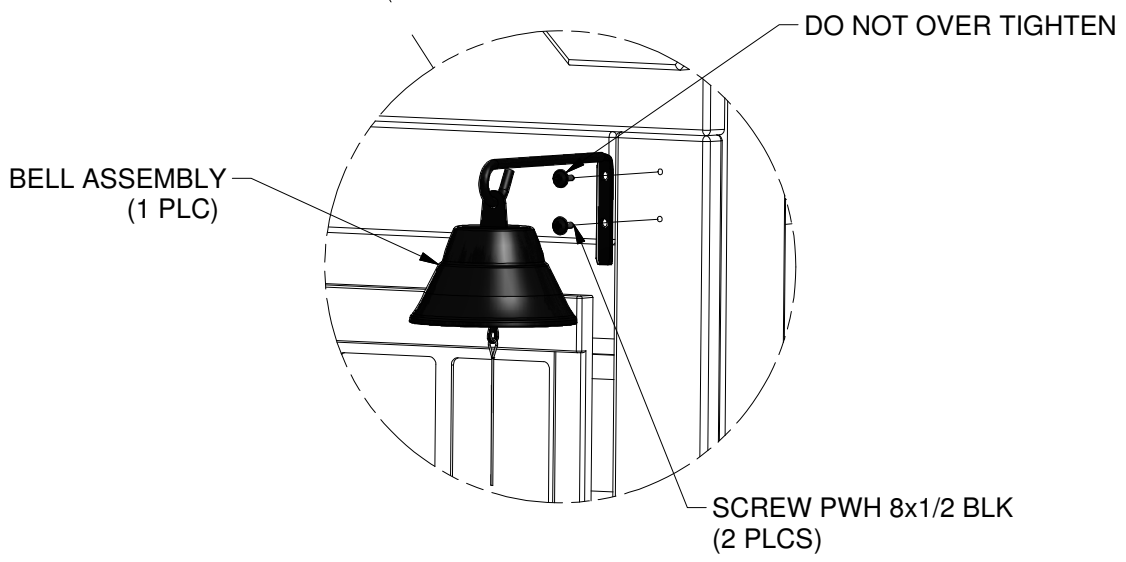
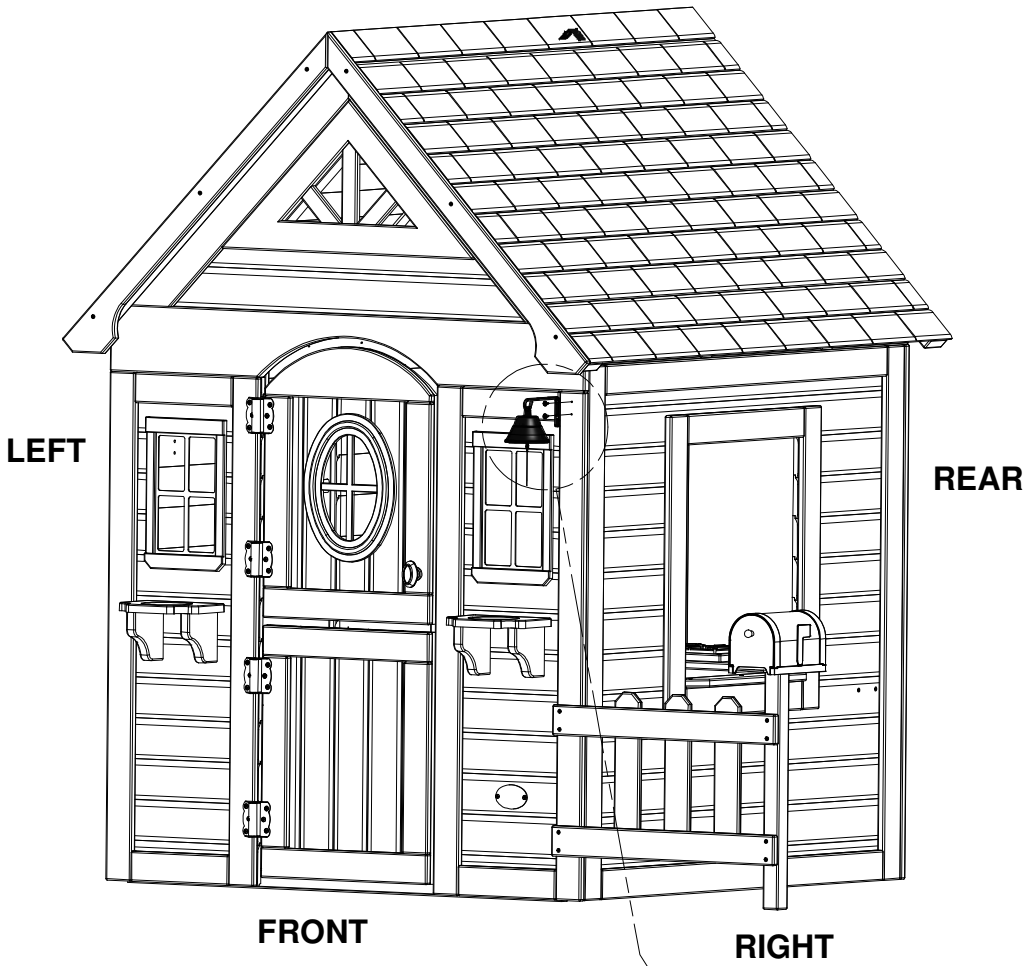


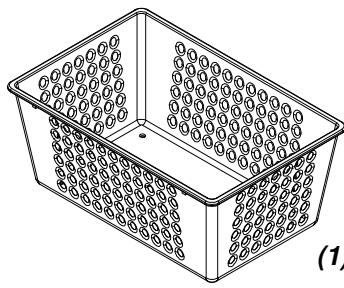
(1) BELL ASSEMBLY - A4M00554

STEP 25:



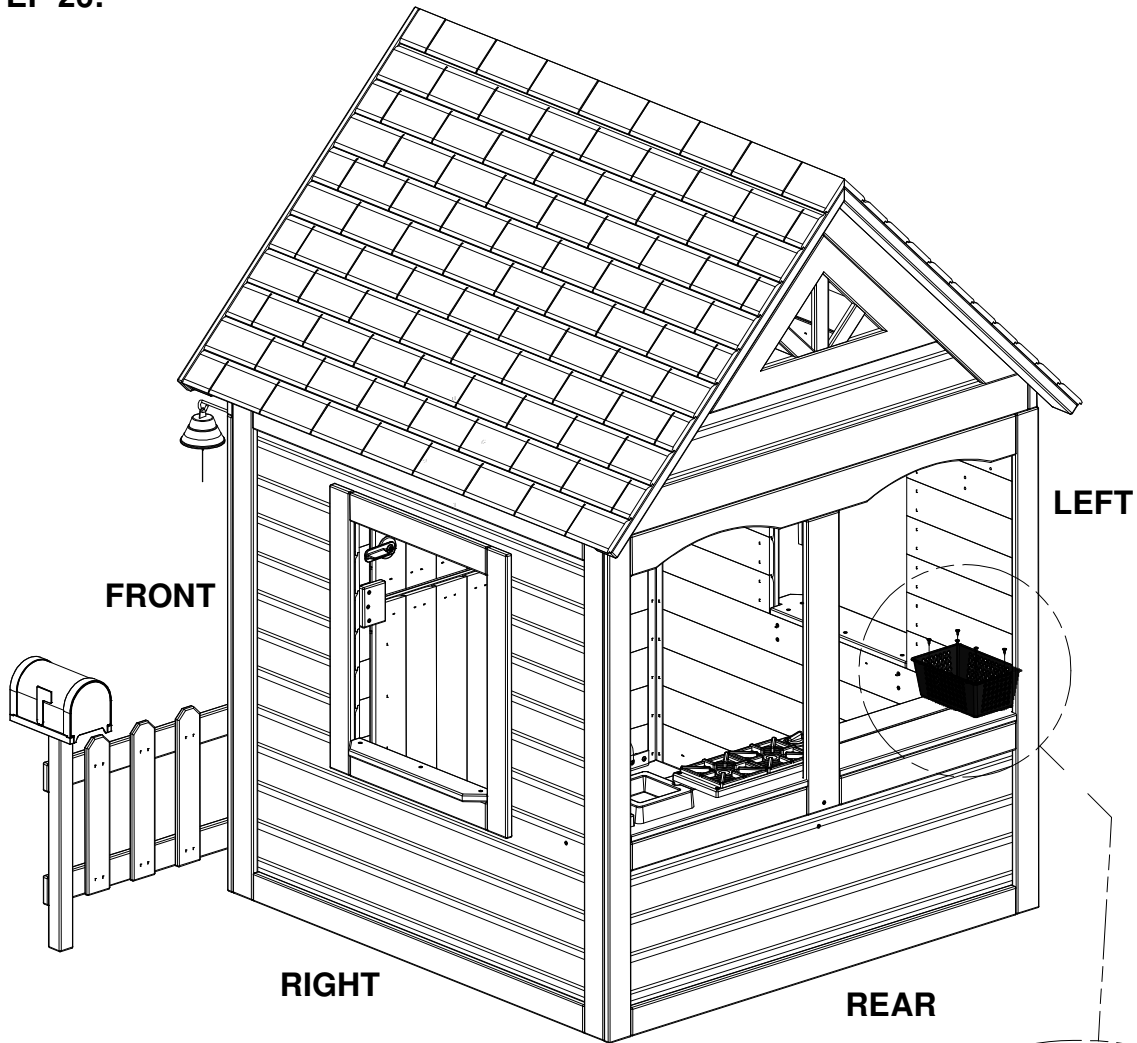
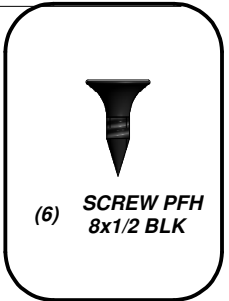
(2) SCREW PWH
8x1/2 BLK





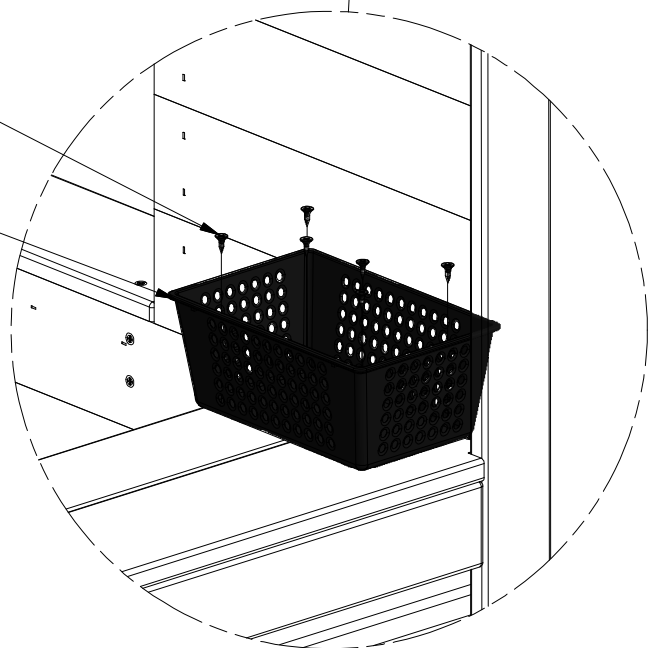
(1) FRUIT BASKET - AP600069

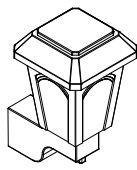
STEP 26:



SCREW PFH 8x1/2 BLK
(6 PLCS)

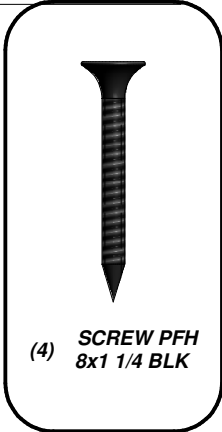
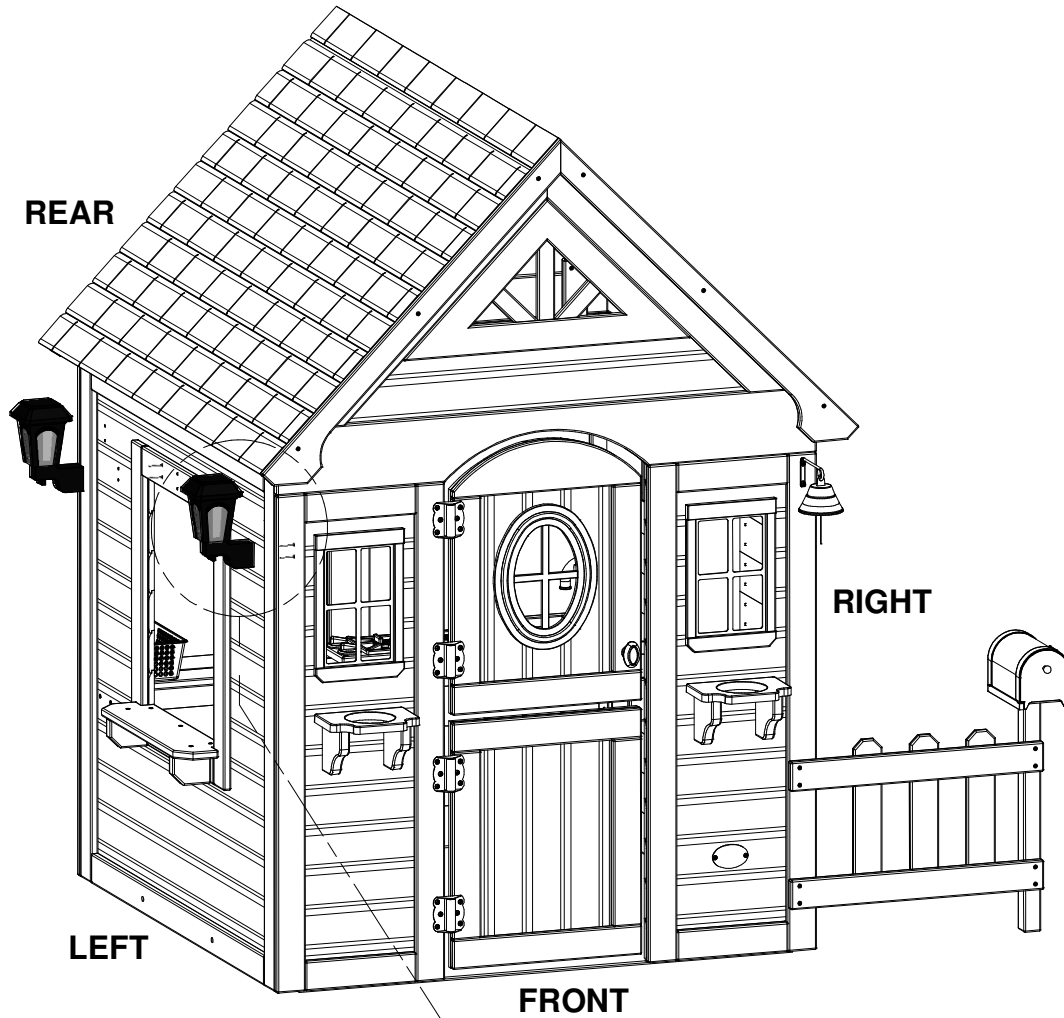
FRUIT BASKET KIT
(1 PLC)





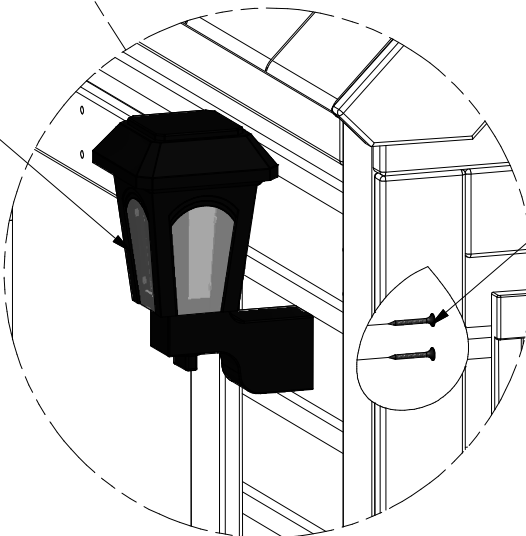
(2) OUTDOOR LIGHT FIXTURE - AP600068

STEP 27:



(4) SCREW PFH
8x1 1/4 BLK

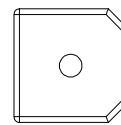
OUTDOOR LIGHT FIXTURE
(2 PLS)



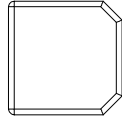
SCREW PFH 8x1 1/4 BLK
(4 PLCS)



(1) - **PLASTIC CURTAIN ROD - A6P00057**



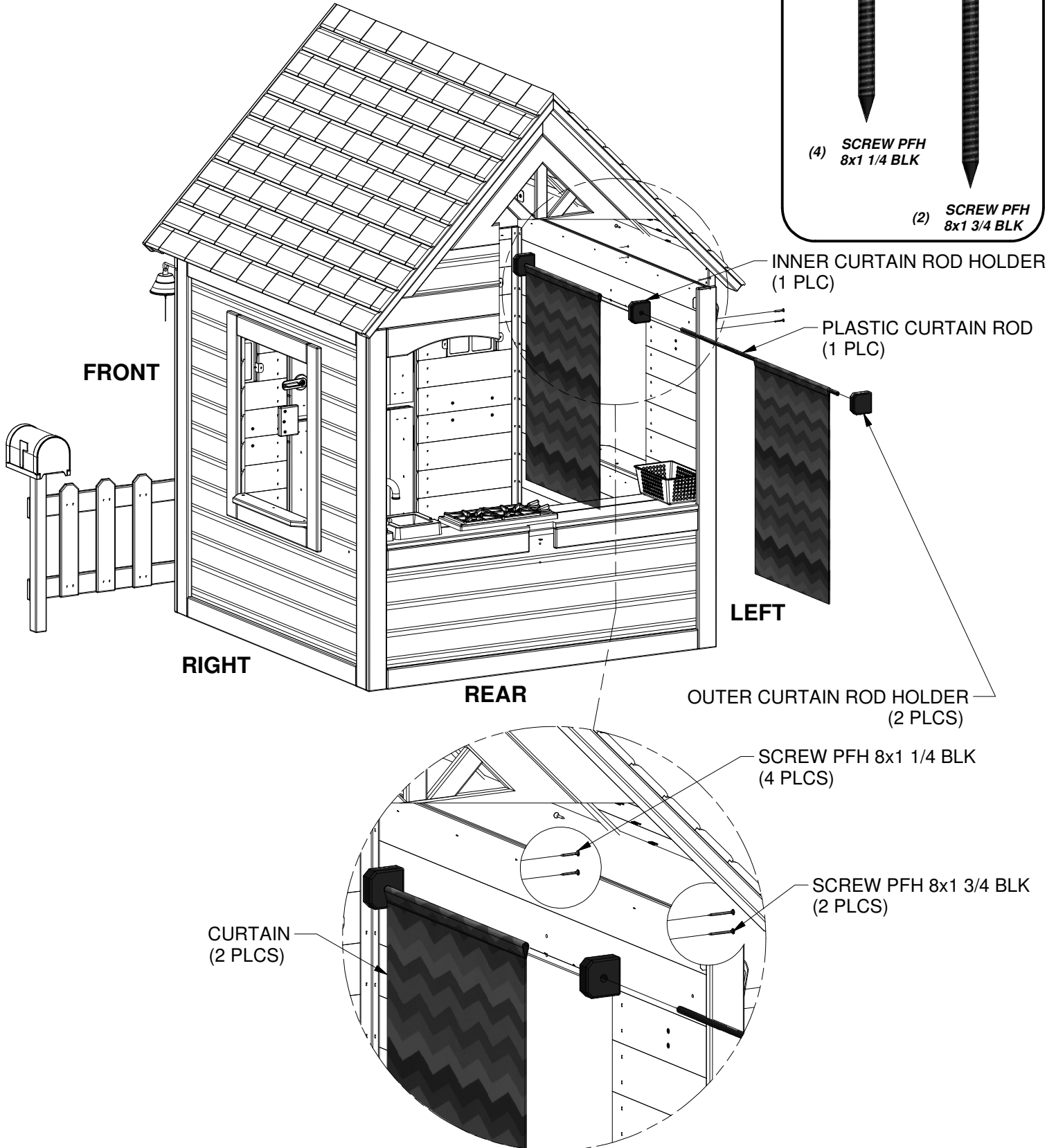
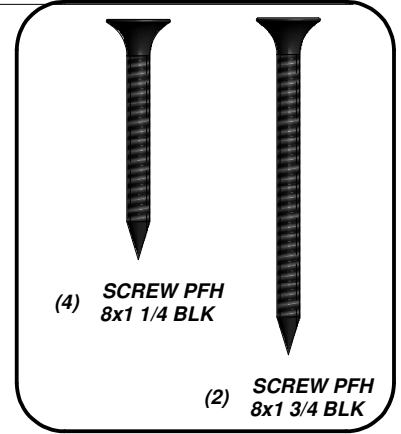
(1) **J5 - INNER CURTAIN ROD HOLDER - W4L05294**
1"x2 3/8"x2 3/8" (24x60x60)

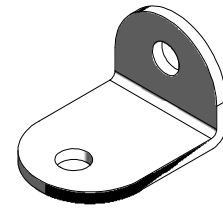
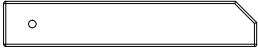


(2) - **CURTAIN - A6P00056**

(2) **J4 - OUTER CURTAIN ROD HOLDER - W4L05293**
1"x2 3/8"x2 3/8" (24x60x60)

STEP 28:



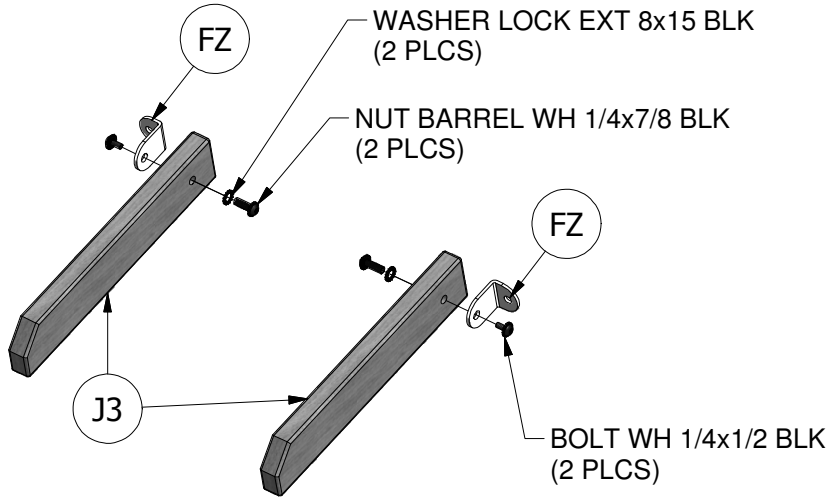


(2) **J3 - BENCH GROUND BOARD - W4L05291**
1"x2 3/8"x13 1/4" (24x60x335)

(2) **H5 - BENCH UPRIGHT - W4L05290**
1"x3 3/8"x11" (24x86x280)

(2) **FZ - L BRACKET WHITE 32x51 - A100133**

STEP 29



(2) **BOLT WH 1/4x1/2 BLK**

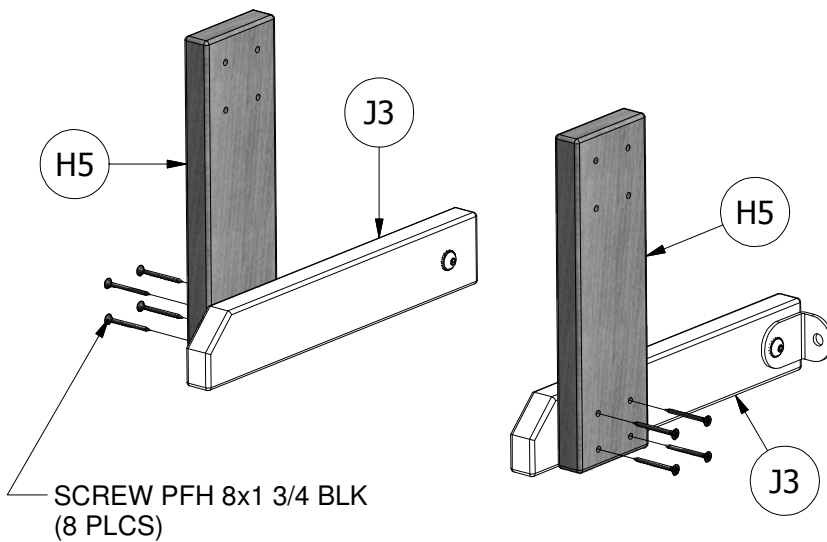


(2) **WASHER LOCK EXT 8x15 BLK**

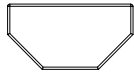


(2) **NUT BARREL WH 1/4x7/8 BLK**

STEP 30



(8) **SCREW PFH 8x1 3/4 BLK**

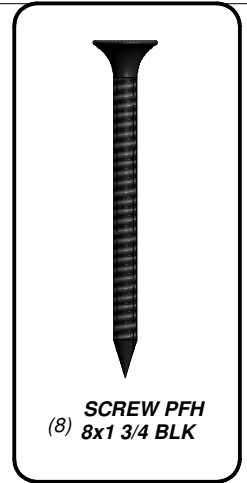
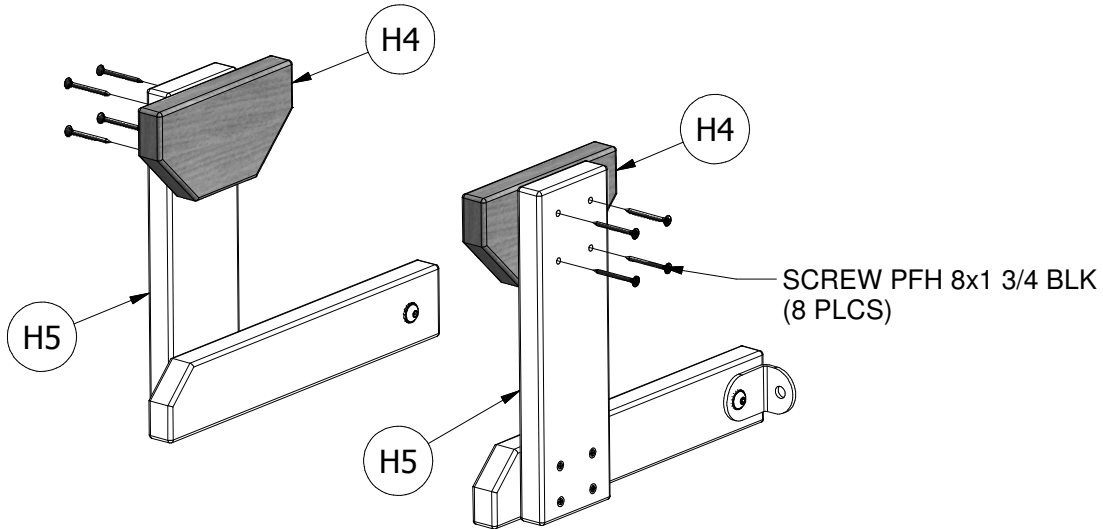


(2) **H4 - BENCH SEAT SUPPORT - W4L05289**
1"x3 3/8"x6 1/2" (24x86x166)

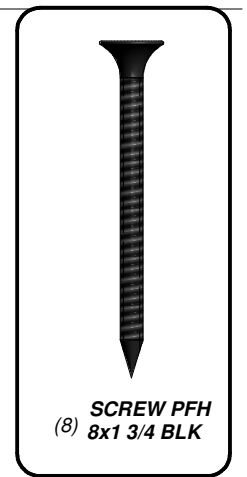
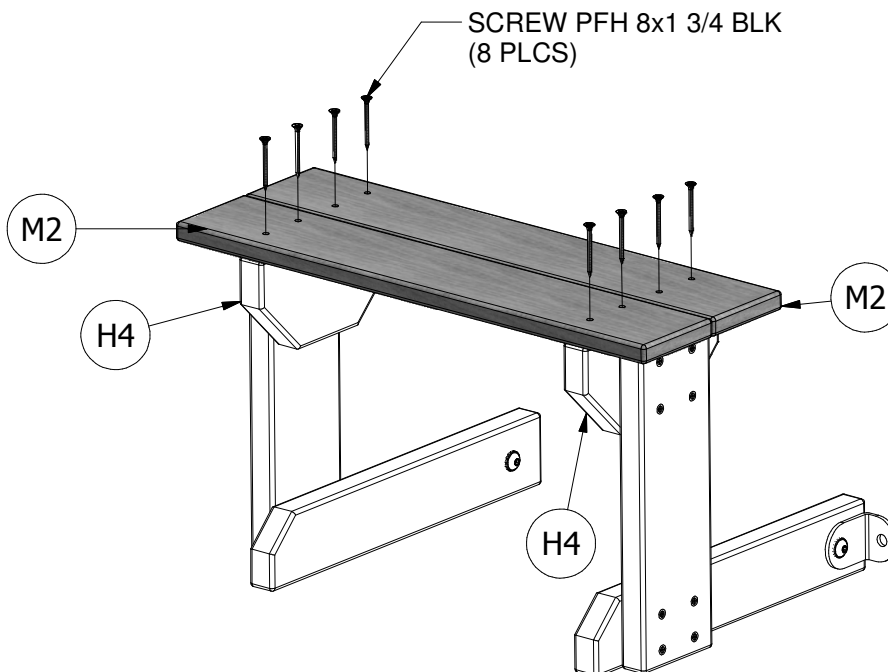


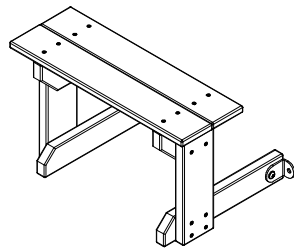
(2) **M2 - BENCH SEAT - W4L05292**
5/8"x3 3/8"x19 1/8" (16x86x485)

STEP 31



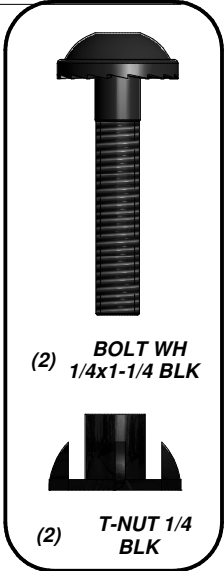
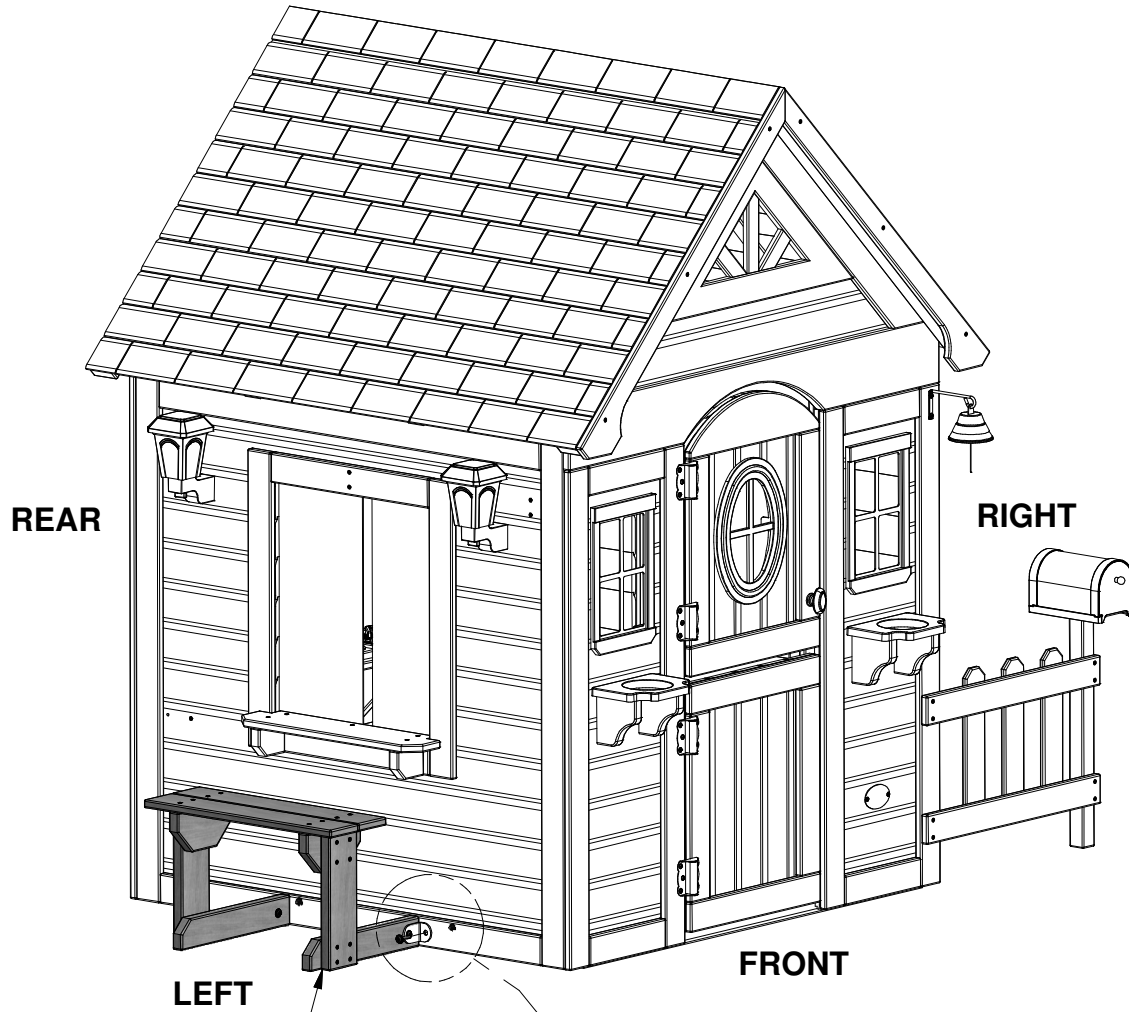
STEP 32





(1) BENCH ASSEMBLY

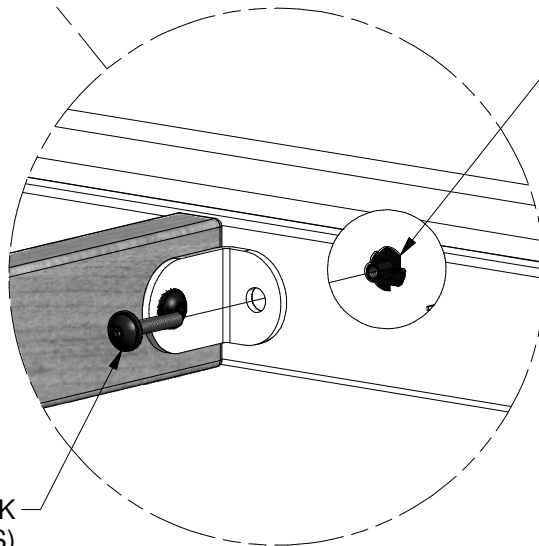
STEP 33:



BENCH ASSEMBLY
(1 PLC)

T-NUT 1/4 BLK
(2 PLCS)

BOLT WH 1/4x1-1/4 BLK
(2 PLCS)



WARRANTY

AUSTRALIAN CONSUMER LAW

Many of our products come with a guarantee or warranty from the manufacturer. In addition, they come with guarantees that cannot be excluded under the Australian Consumer law. You are entitled to a replacement or refund for a major failure and compensation for any other reasonably foreseeable loss or damage.

You are entitled to have the goods repaired or replaced if the goods fail to be of acceptable quality and the failure does not amount to a major failure. Full details of your consumer rights may be found at www.consumerlaw.gov.au

Please visit our website to view our full warranty terms and conditions:

<http://www.lifespankids.com.au/Warranty-Policy-Kids>

Please send all warranty and support inquiries through our ticketing system via the email address:

support@lifespankids.com.au.