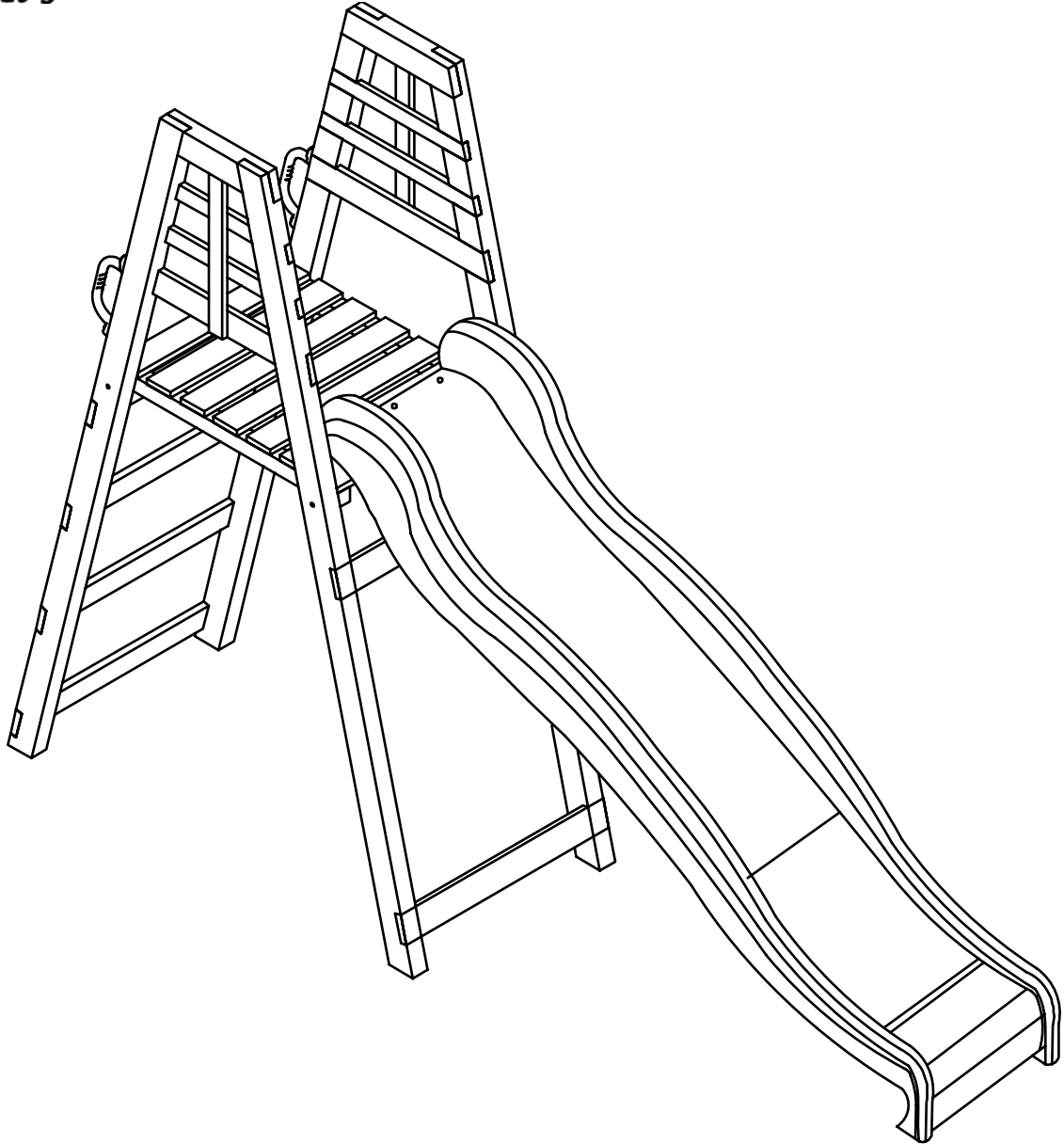




# PE06 Sunshine Climb and Slide User Manual



## **WARNING!**

Not suitable for children under 3 years until fully assembled. Small parts. Choking hazard.

## **IMPORTANT RETAIN FOR FUTURE REFERENCE: READ CAREFULLY**

The owner's manual contains safety, assembly, use and maintenance instructions. The product must be assembled by an adult who has read and understood these instructions. Keep the packaging away from children and dispose of all packaging before use.

For the installer and your children's safety, it is important to fully read and understand the instructions and safety hazards before commencing the assembly of the product.

This manual may be subject to change. Please view our website [www.lifespankids.com.au](http://www.lifespankids.com.au) for the most recent version of this manual



# Safety

- ⚠️ Only adults should assemble or disassemble this product.
- ⚠️ This product may contain sharp edges and small parts prior to assembly - product must be assembled by an adult.
- ⚠️ This product is safely designed for children between the ages of 3 years and up.
- ⚠️ Adult supervision of children is required at all times when on or around this product. We advise that parents should observe and ensure that their children have the strength and skills to enjoy all the equipment safely before using them on their own.
- ⚠️ To prevent serious injury do not allow children to play on the product until it is completely assembled and installed.
- ⚠️ Children using this product should only use the product in the manner intended. i.e. do not climb on the unit.
- ⚠️ Product is designed for domestic use only.
- ⚠️ To avoid possible injury, only one child to use this equipment at a time.

# Timber

Our product was manufactured from premium timber with great care dealt in selecting, machining and treating the timber before it is sold to you.

Bear in mind that timber is a natural product and may experience changes throughout the course of its life. It may:

- Develop openings (gaps, slits, apertures, cracks) along the line of the grain. This occurs due to moisture content between internal and outer surfaces of the timber. It is totally acceptable and will not affect the integral strength, life or guarantee of the product.
- Fade as the timber reacts with sunlight. The timber should be treated with a proprietary product to act as a protective barrier (i.e. a watery repellent on a annual basis)
- Warp and distort its shape. Any distortion will be slight and will not affect the safety or enjoyment of this product.

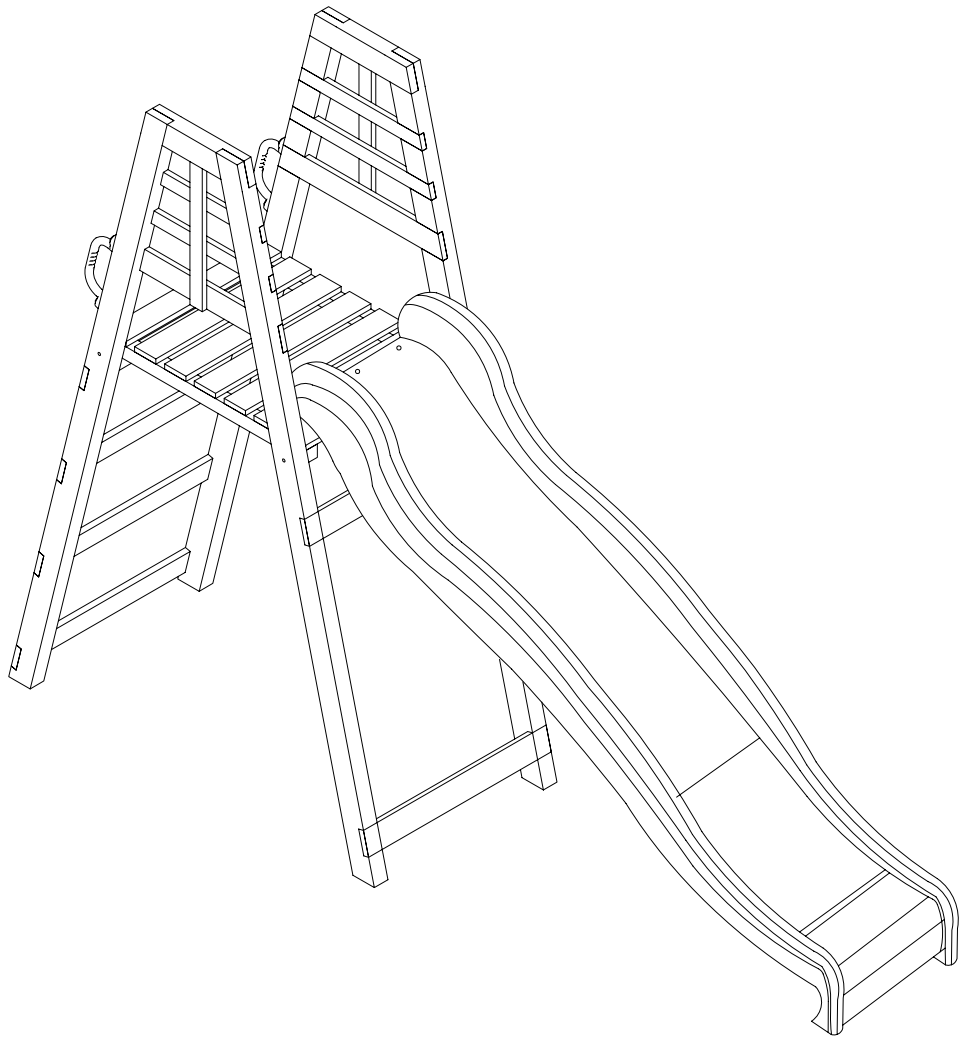
# Assembly

This product contains pre-assembled parts for easier assembly.

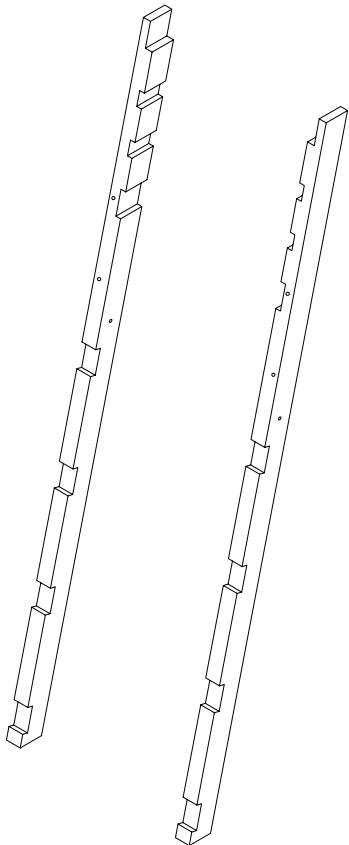
One adult is required for the assembly or disassembly of the product.

Do not allow children to play on the product until it is complete assembled and installed

**See the next page for Parts and Assembly instructions**

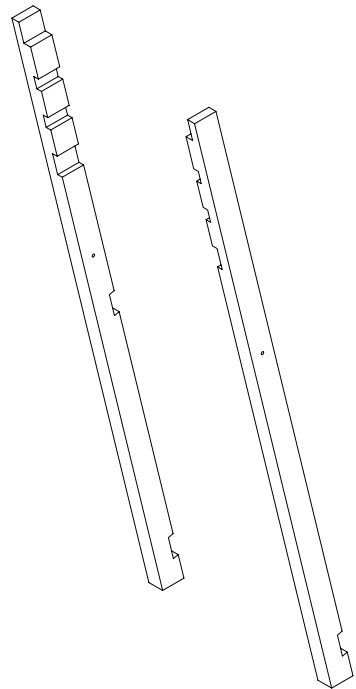


1

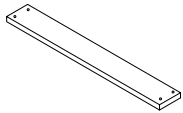
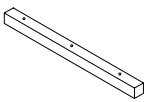
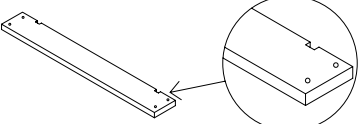
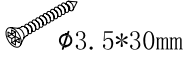
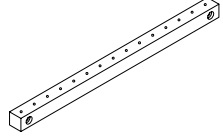
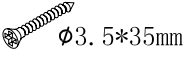
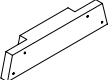
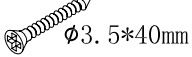
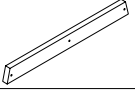

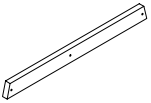
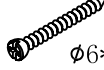
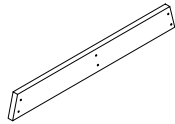
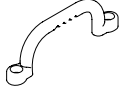
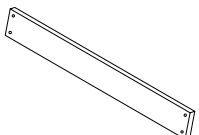
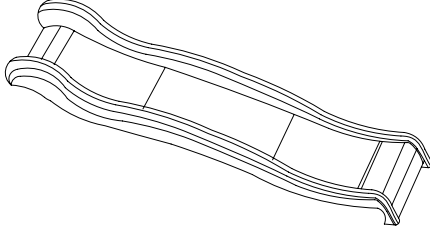
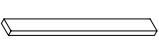


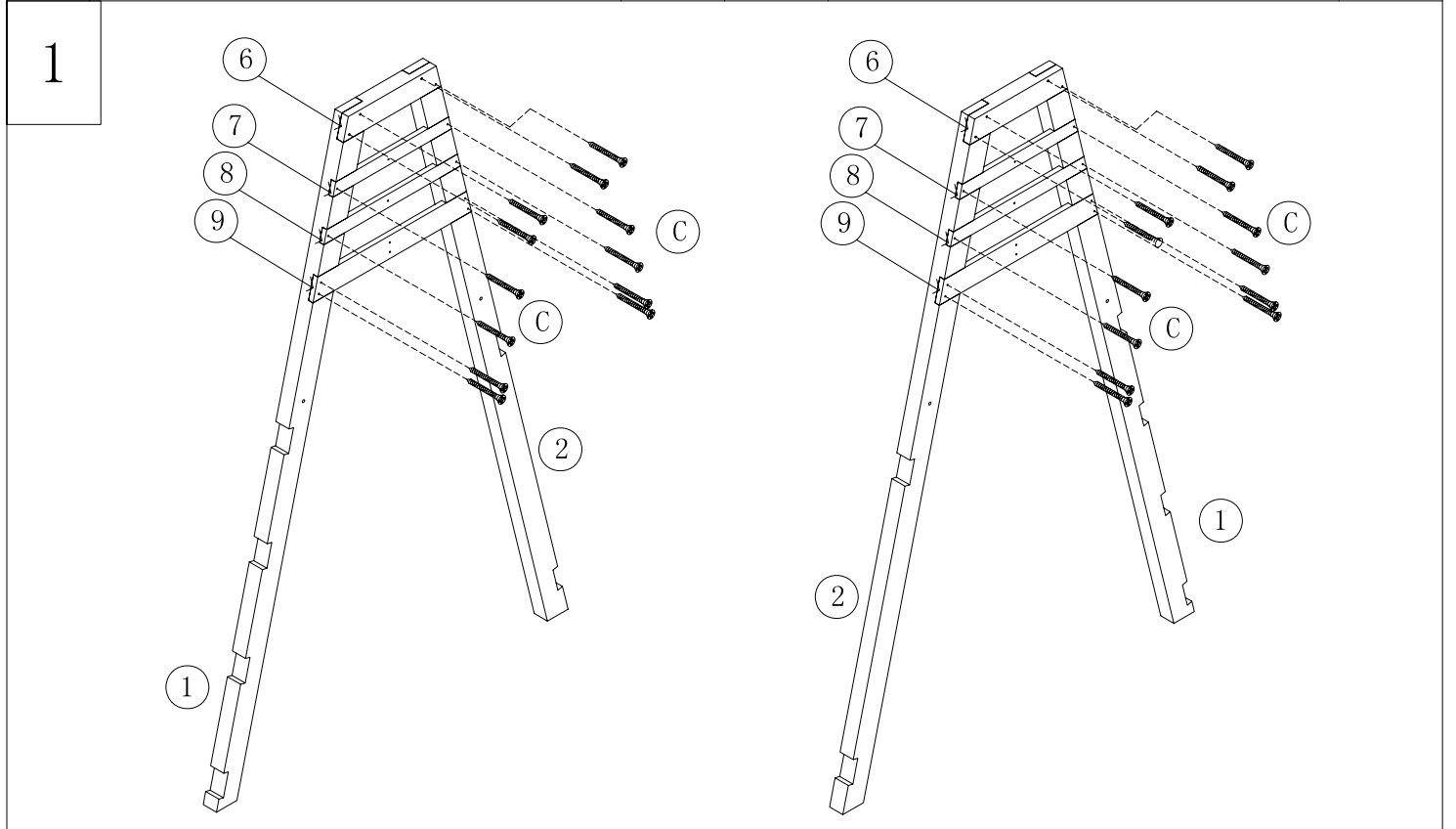
2PCS

2

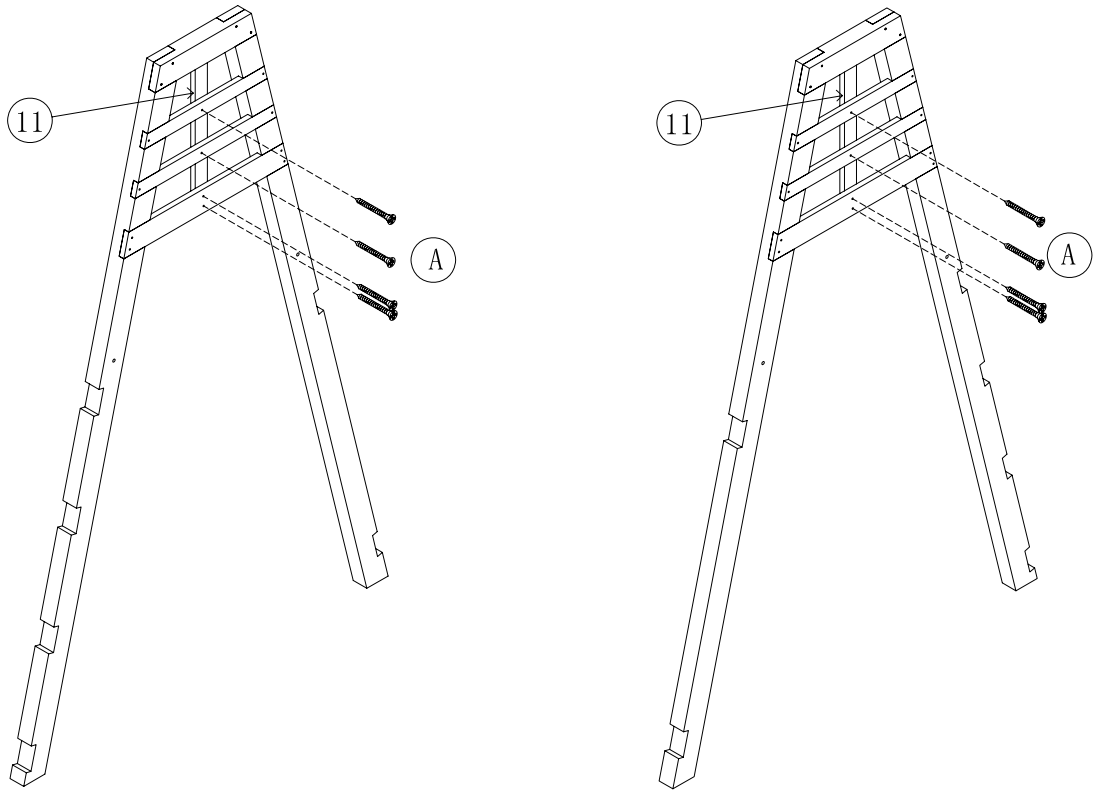


2PCS

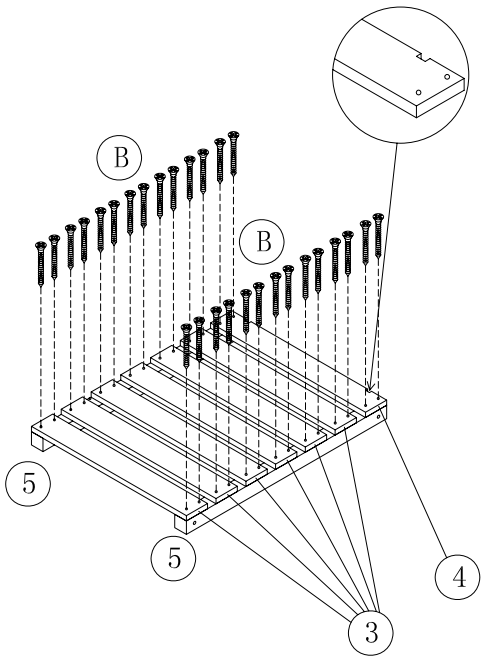
3		6PCS	12		1PC
4		1PC	A	 Ø3.5*30mm	8PCS
5		2PCS	B	 Ø3.5*35mm	31PCS
6		2PCS	C	 Ø3.5*40mm	48PCS
7		2PCS	D	 Ø8*85mm	4PCS
8		2PCS	E	 Ø6*35mm	6PCS
9		2PCS	F		2PCS
10		6PCS	G		1PC
11		2PCS			



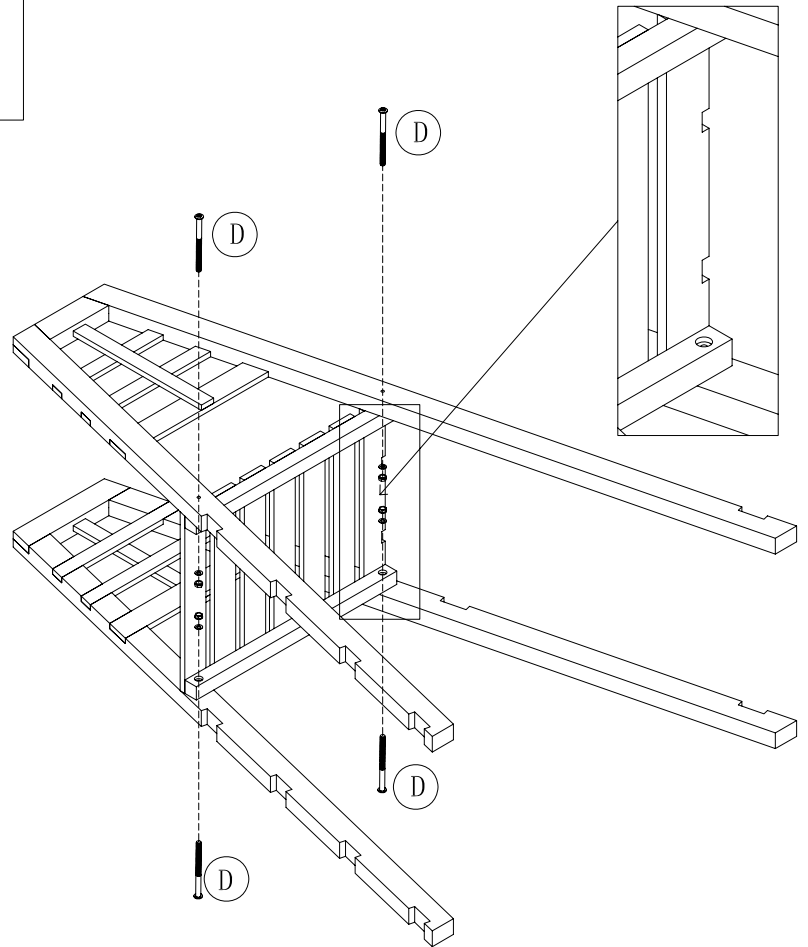
2



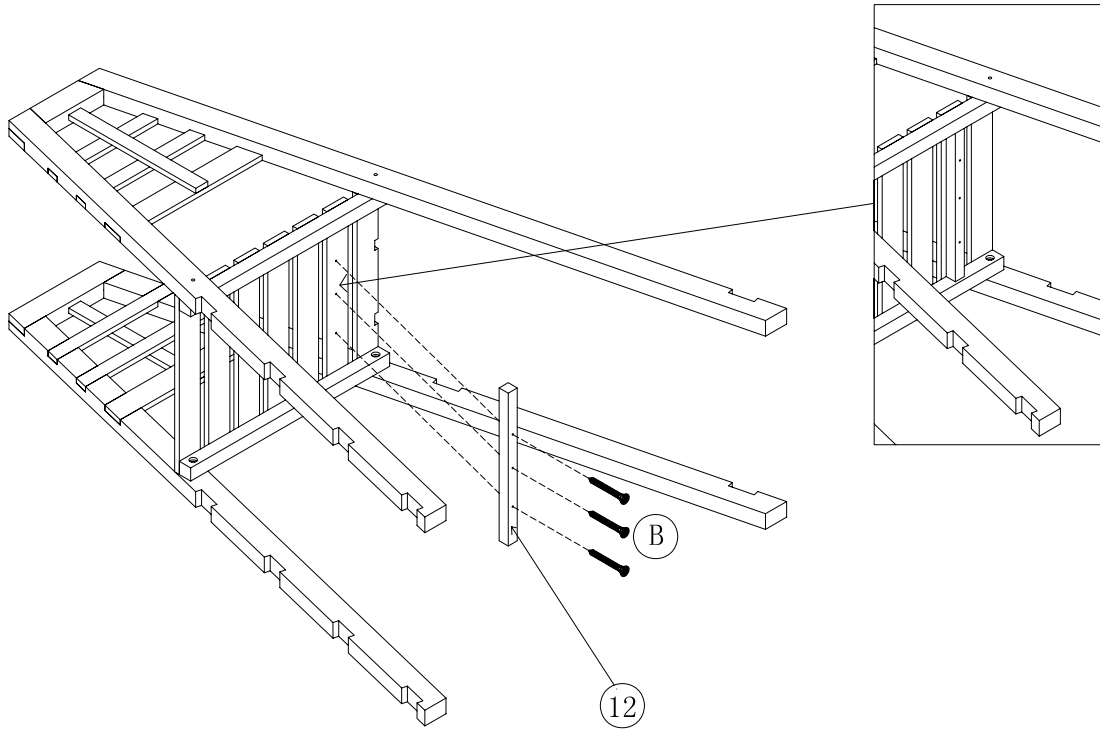
3



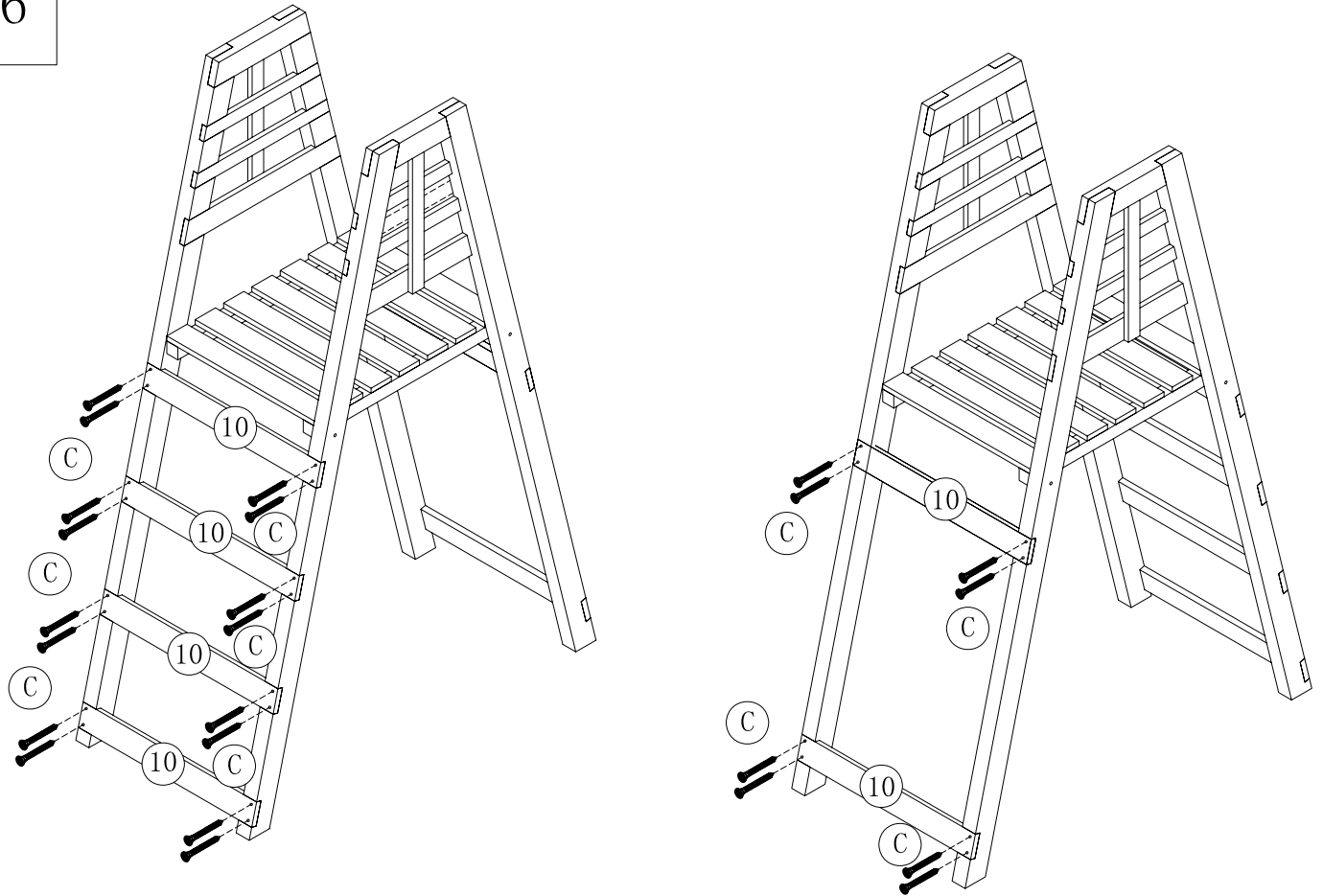
4



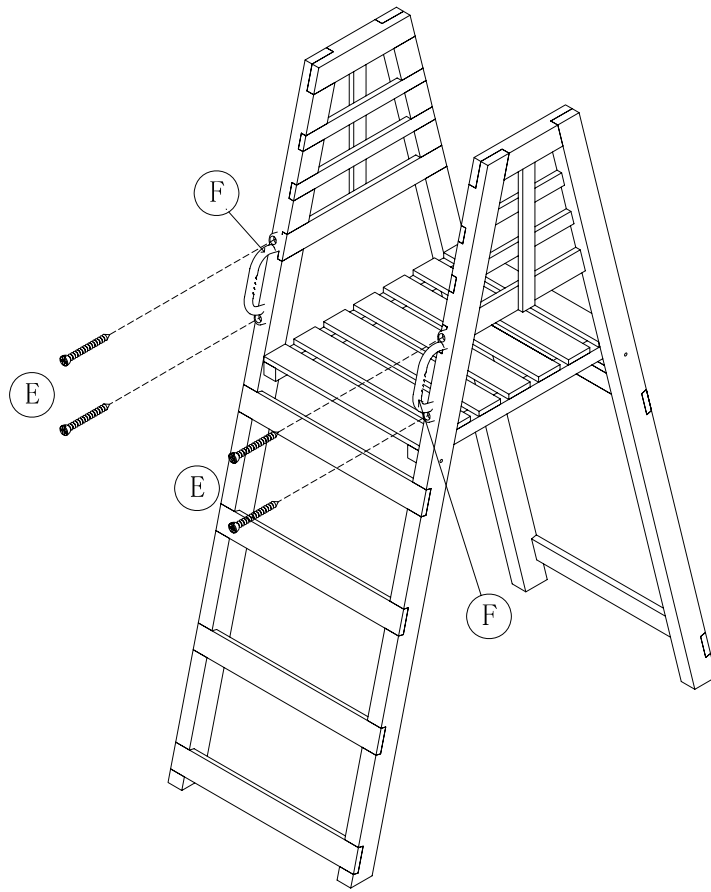
5



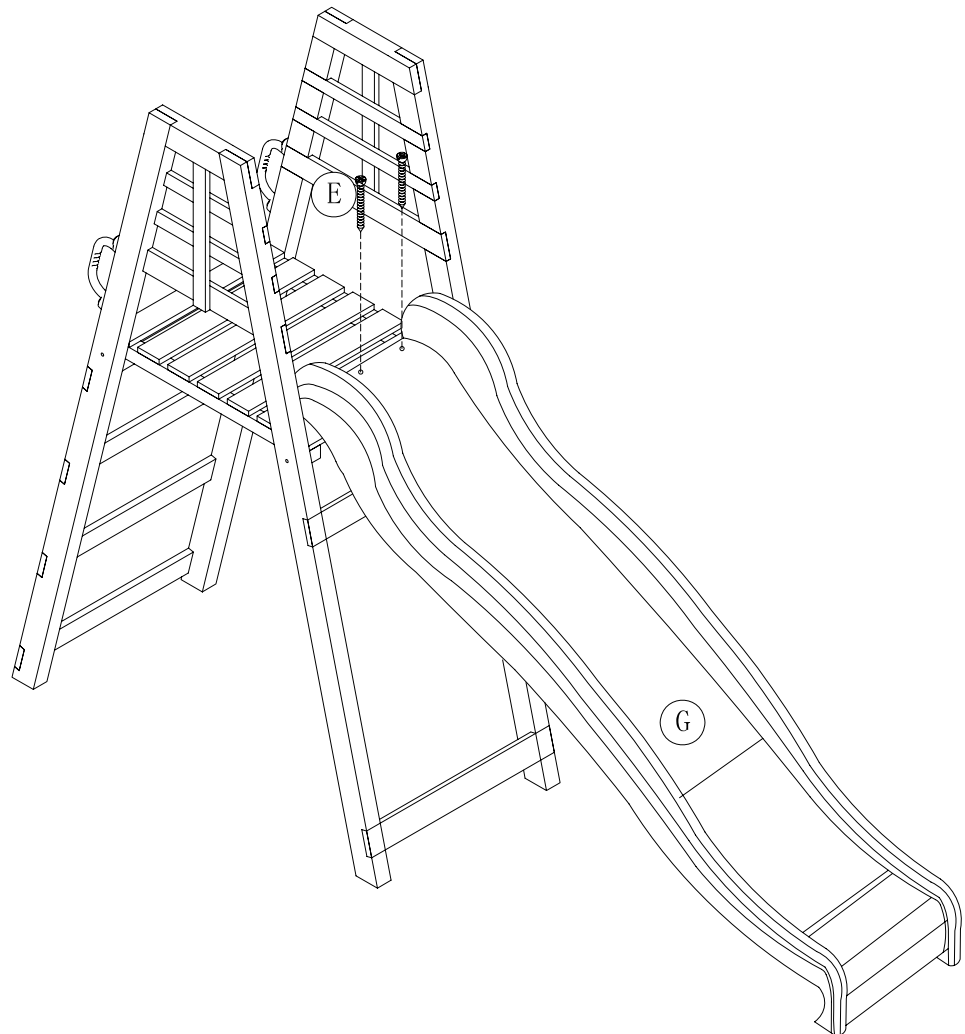
6



7



8



# Care and Maintenance

We recommend regular maintenance should be conducted at the beginning of each season for your play equipment to ensure all main parts/fixings are tightly secured, well-oiled and intact to avoid injury or hazard.

We advise the following tips where applicable:

1. Tighten all hardware.
2. Lubricate all metallic moving parts
3. Check all protective coverings on bolts, pipes, edges and corners. Replace if they are loose, cracked or missing
4. Check metal parts for rust. Replace as needed
5. Prevent weathering by applying protective barriers to your timber via proprietary products to maintain its quality.
6. Attachments must be regularly examined for evidence of deterioration. Replace any attachments if there are signs of deterioration.



# WOOD ADVICE

Our products are manufactured from premium timber. Great care is taken in selecting, machining and treating the timber before it is sold to you.

1. Inspect wood parts monthly. The grain of the wood sometimes will lift in dry periods causing splinters to appear. Light sanding may be necessary to maintain a safe environment. Treating your Product with protection (sealant) after sanding will help prevent severe checking/splitting and other weather damage.
2. We have applied a waterborne translucent stain to your unit. This is done for colour only. Once or twice a year, depending on your climate conditions, you must apply some type of protection (sealant) to the wood of your unit. Prior to the application of sealant, lightly sand any "rough" spots on your set. Please note this is a requirement of your warranty.

Bear in mind that timber is a natural product and may experience changes throughout the course of its life.

It may:

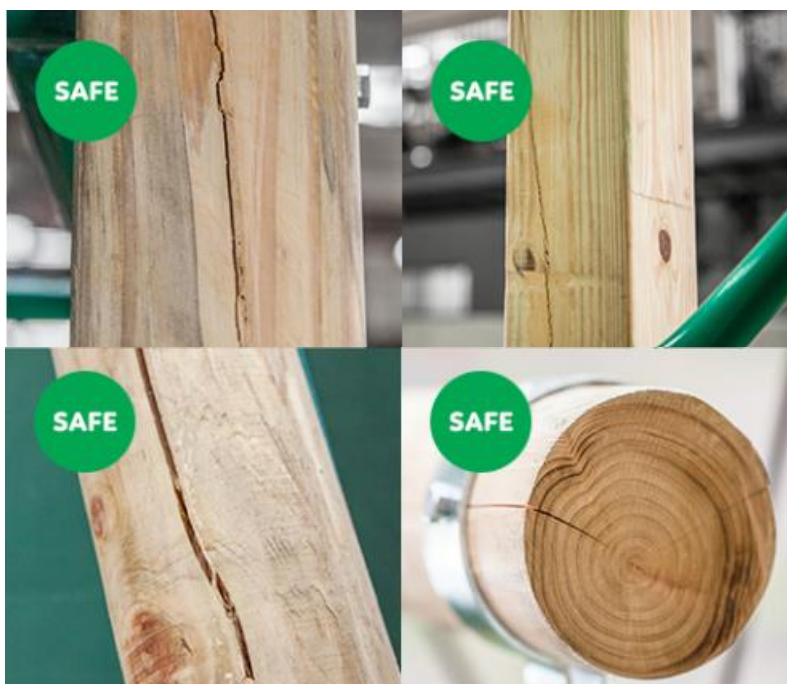
- Develop openings/checks (gaps, slits, apertures, cracks) along the line of the grain.
- Fade as the timber reacts with sunlight.

All woods are hygroscopic, that is, it will absorb or discharge moisture to attain equilibrium with the surrounding atmosphere. Timber openings/checks occur due to the moisture content between internal and outer surfaces of the timber. No two pieces of wood are exactly alike. Each piece has its own characteristics and personality and reacts differently to climate changes. When any wood products are exposed to the elements, it develops 'wood checks'. A check is the radial separation of the wood fibres running with the grain of the wood. These are caused by the varying temperature and moisture conditions. A check does not affect the strength or durability of the wood or structural integrity of the play set.

## When should wood cracks be a concern?

Most of the wood splits will never become large enough to affect the reliability and strength of our products, however, there can be rare cases where splits can occur. This happens when a crack develops past the halfway point from the timber, splitting it into two separate pieces.

Feel free to contact us with detailed pictures of your product so we can assess and ensure that your playground remains safe.



Dimensional timbers contain very little heart wood so less splits can be seen.

Round pole swing sets are very thick so that cracks (shown left) will not affect the strength and durability of our swing sets.

For more information: <http://www.lifespankids.com.au/natural-timber>

# Warranty

## AUSTRALIAN CONSUMER LAW

Many of our products come with a guarantee or warranty from the manufacturer. In addition, they come with guarantees that cannot be excluded under the Australian Consumer law. You are entitled to a replacement or refund for a major failure and compensation for any other reasonably foreseeable loss or damage.

You are entitled to have the goods repaired or replaced if the goods fail to be of acceptable quality and the failure does not amount to a major failure. Full details of your consumer rights may be found at [www.consumerlaw.gov.au](http://www.consumerlaw.gov.au)

Please visit our website to view our full warranty terms and conditions:

<http://www.lifespankids.com.au/Warranty-Policy-Kids>

Please send all warranty and support inquiries through our ticketing system via the email address: [support@lifespankids.com.au](mailto:support@lifespankids.com.au).

### **Head Office and Customer Service:**

Global Fitness and Leisure Pty Ltd  
17 Fordson Rd  
Campbellfield  
VIC, 3061  
Australia  
PH: 03 9357 2166