

TP499 Infinity Leap Trampoline

Instructions for assembly, maintenance and safe use.

We constantly strive to improve our assembly instructions. To see the most current version of this instruction for assembly, maintenance and safe use. Please visit the product page at tptoys.com



WARNINGS!

THIS PRODUCT CONTAINS SMALL PARTS AND IS NOT SUITABLE FOR CHILDREN UNDER 36 MONTHS. SMALL PARTS ARE A CHOKING HAZARD.

ONLY FOR DOMESTIC USE. FOR OUTDOOR USE ONLY.

TOY MUST BE ASSEMBLED BY AN ADULT BEFORE USE.

CHILDREN MUST NOT USE THE EQUIPMENT UNTIL PROPERLY INSTALLED.

ADULT SUPERVISION IS REQUIRED.

ONLY ONE USER. COLLISION HAZARD.

REMOVE ALL PACKAGING BEFORE GIVING TO YOUR CHILDREN.

RETAIN PACKAGING FOR FUTURE REFERENCE.

SHOES NOT TO BE WORN WHILE JUMPING.

ALWAYS CLOSE THE NET OPENING BEFORE JUMPING

ALWAYS JUMP IN THE MIDDLE OF THE MAT.

DO NOT EAT WHILE JUMPING.

DO NOT EXIT BY A JUMP.

DO NOT USE THE MAT WHEN WET.

EMPTY POCKETS AND HANDS BEFORE USING THE TRAMPOLINE.

LIMIT THE TIME OF CONTINUOUS USAGE (MAKE REGULAR STOPS).

DO NOT USE IN STRONG WIND CONDITIONS AND SECURE THE TRAMPOLINE.

THE NET SHOULD BE REPLACED EVERY 2 YEARS.

THIS PRODUCT IS INTENDED FOR USE BY CHILDREN AGED 6 YEARS +.

WARNING: MAXIMUM SINGLE USER WEIGHT 120KG



x2



4 Hrs
Build Time



0-3



IMPORTANT, BEFORE YOU BEGIN, READ THIS MANUAL

Thank you for buying this Trampoline. The trampoline is designed and manufactured to provide many years of fun and exercise but, **for your child's benefit and safety, please read this manual carefully and in full before assembling and using your trampoline.** Then, please retain this manual for future reference.



Warnings!

- Only one user. Collision hazard.
- Adult supervision of children - Children should always be supervised while they are playing on the trampoline.
- Users should not use the trampoline in an inappropriate or hazardous manner.
- Do not attempt somersaults.
- Jump without shoes.
- Do not use the mat when it is wet.
- Always close the net opening before jumping
- Always jump in the middle of the mat.
- Do not exit the mat by a jump.
- Do not eat while jumping.
- Limit the time of continuous use (make regular stops).
- Regular maintenance is required.
Neglecting regular maintenance can lead to a risk for users.
- Check all nuts and bolts for tightness and tighten when required.
- check that all spring-loaded (pit pin) joints are still intact and cannot become dislodged during play.
- Check all surfaces for sharp edges and replace when required.
- Wear clothing that is free of drawstrings, hooks, loops, buckles or anything that could get caught in the trampoline.
- Do not use in strong wind conditions.
- In certain countries during winter period, it is recommended to store the trampoline indoors.
- Keep away from fire.
- The mat should be replaced every 2 years.
- Retain the maintenance instruction manual.

ASSEMBLY

1. The trampoline must be assembled by an adult.
2. The trampoline must be erected in accordance with the assembly instructions.
3. Enlisting the aid of a helper will make assembly easier.
4. Take care during assembly as the manufacturing process can sometimes result in the occasional sharp edge and small pieces of waste metalwork. The use of gloves to protect hands from pinch points is also recommended.
5. Should there be any missing parts, the trampoline must not be used until replacement parts have been obtained.
6. Any changes to this toy including changing or adding an accessory, must be done in accordance with our instructions. Failure to do this will render your guarantee null and void and may make your product unsafe.
7. Retain the instructions for assembly, maintenance and safe use for future reference.

SITE PLANNING

1. Place the trampoline in a well-lit area.
2. Do not position the trampoline on a hard surface such as concrete.
3. Position the trampoline on an impact-absorbing surface, such as grass, wood chip, sand, rubber or synthetic compounds.
4. Ensure the trampoline is on a level surface.
5. Ensure the safe play free space area (see Page 3) is maintained.
6. Provide additional clearance for wires, tree branches, walls, fences and other possible hazards.
7. Do not place the trampoline on top of other objects, or store anything under the trampoline.
8. Disassemble the trampoline and store away safely when high winds are anticipated.

CARE AND MAINTENANCE

Improper maintenance or lack of care can lead to your trampoline deteriorating prematurely. Please follow these care instructions to ensure that your trampoline remains safe and lasts for as long as possible.

Metal Rust and Corrosion

1. Some areas of the trampoline are particularly prone to rusting: Places where water can become trapped. Hollow sections of steel (which can appear in good condition on the outside, while hiding rust on the inside). Sections where different metal components join.
2. Inspect the inside of all frame tubes and poles regularly, and remove any water from the inside surfaces.
3. Check tube and pole connection areas for rust.
4. Use general purpose grease on steel connection areas to reduce the chance of corrosion and wear.
5. Avoid excessively cleaning steel components, as it may reduce the effectiveness of the protective coatings.
6. If surface rust appears it should be removed with a wire brush or coarse sandpaper, and the area treated with a non-toxic paint.

Textile Deterioration

1. Clean the trampoline mat with a soft sponge only to avoid prematurely wearing the textiles.
2. Avoid using powerful soaps or detergents; they can damage the textiles.
3. Wipe dry with an absorbent cloth any water left after rain.
4. Remove shoes before using the trampoline along with sharp objects like belt buckles.
5. In certain countries during the winter period, the snow load and the very low temperature can damage the trampoline. It is recommended to remove the snow and store the trampoline indoors.

SAFETY CHECKS

1. Inspect the trampoline before and after use for component deterioration, which can happen over time from use and from environmental and weather conditions.
2. Replace any worn, defective, or missing parts immediately, and through TP Toys only.
3. Regularly check all nuts and bolts for tightness and adjust when required.
4. Check all surfaces for sharp and protruding edges.
5. Check the surface of the mat for foreign objects, and remove them.
6. Use only TP Toys-made accessories with, or on, our trampolines.

INSPECTION CHECKLIST

Frame Tubes and Legs

- Rust spots
- Cracking on the curved areas
- Distortion of spring holes
- Twisted or stretched steel
- Sharp protrusions
- Broken or missing push pins
- Distorted push pin holes
- Broken welds

Net Upright Poles

- Rusting
- Cracking on the curved areas
- Twisted or stretched steel
- Sharp protrusions
- Bent or twisted joints
- Cracks in the joints

- Rusty fluid leaking out of the joints
- Broken or missing push pins
- Distorted push pin holes

Mat

- Holes
- Burn marks
- Frayed yarn
- Broken sewing threads
- Sagging fabric
- Faded or torn fabric
- UV damage

Surround Net

- Holes
- Burn marks
- Frayed yarn
- Broken sewing threads
- Stretched mesh

- Torn edge belts
- Stretched seams
- Faded materials
- Detached top rods
- Damaged top rod connectors
- UV damage

Frame Pads

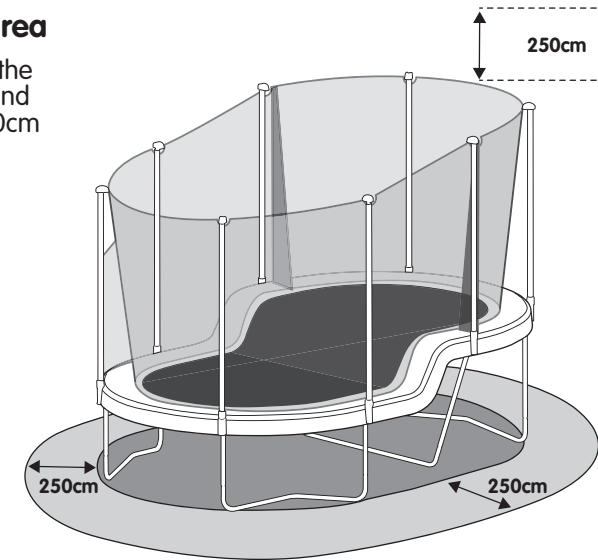
- Holes
- Burn marks
- Frayed yarn
- Broken sewing threads
- Stretched seams
- Faded materials
- UV damage

Springs

- Rusting
- Stretched, misshapen or weakened

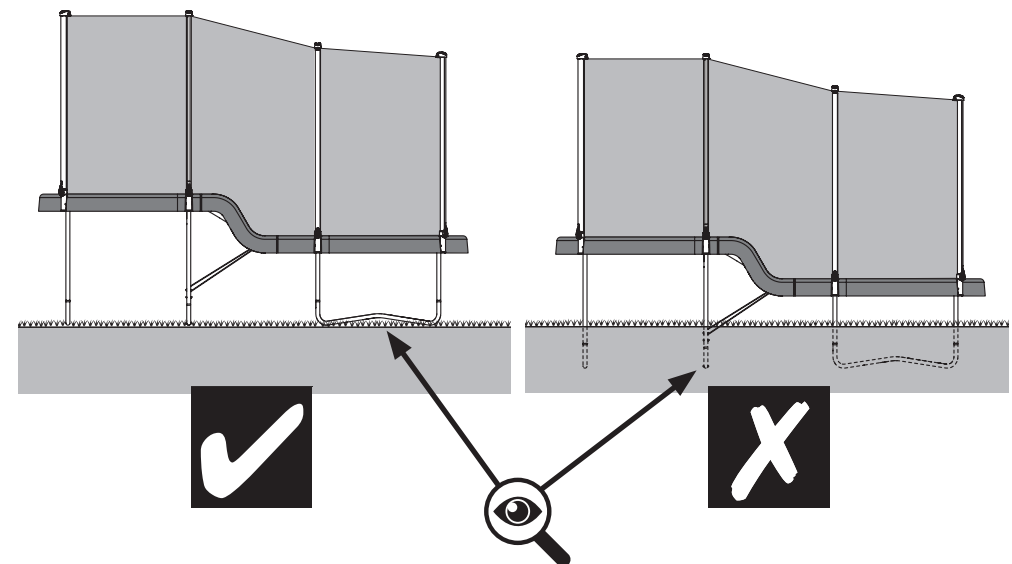
Safe play free space area

The safe play area refers to the zone extending 200cm around the toys on all sides and 250cm above the toy. The safe play area must be free from all obstacles.



Safe play

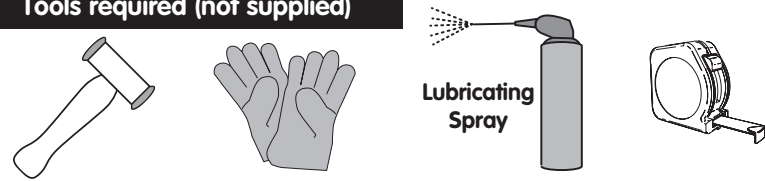
This trampoline is not intended to be buried into the ground.



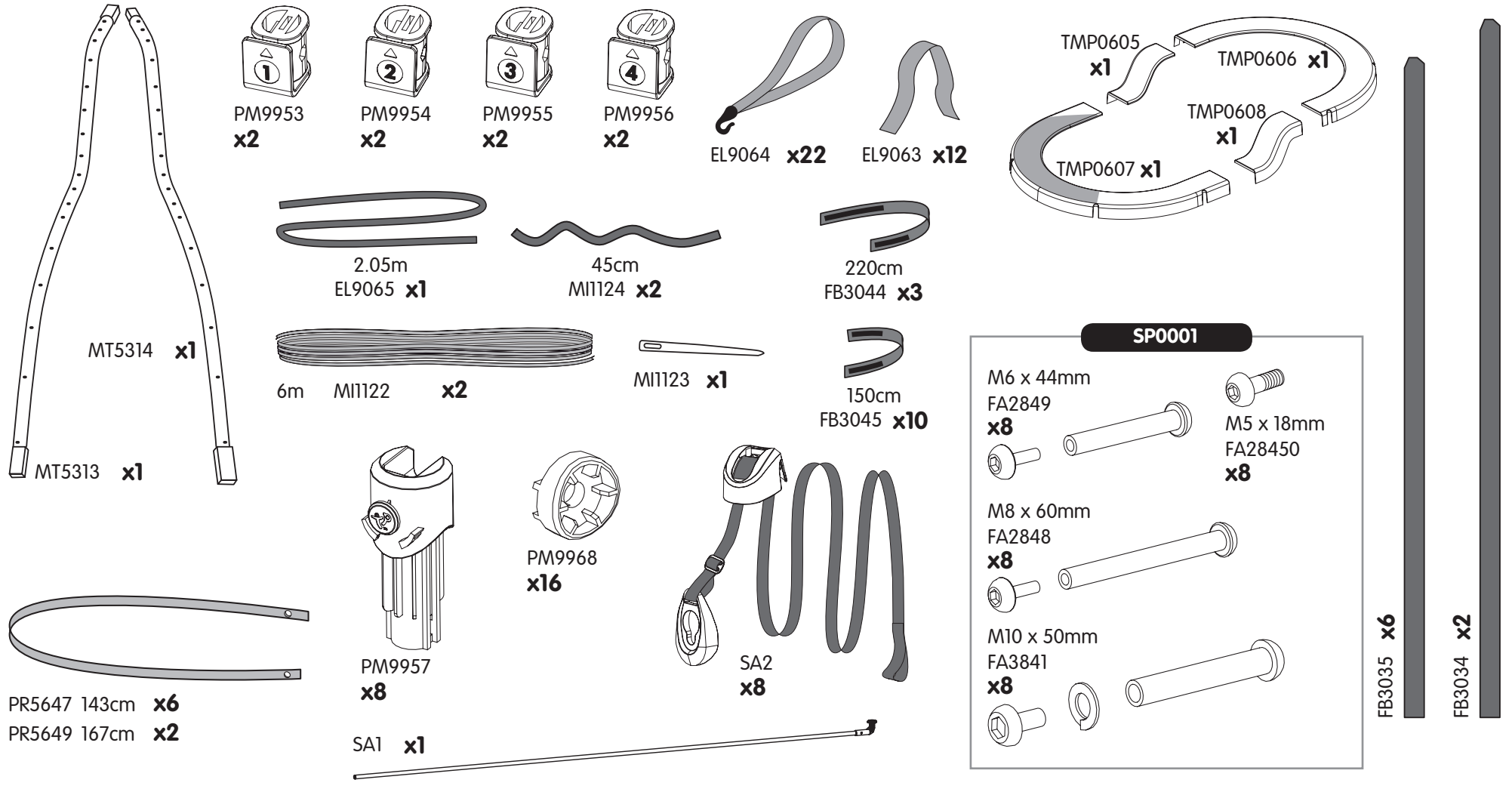
Tools Supplied



Tools required (not supplied)

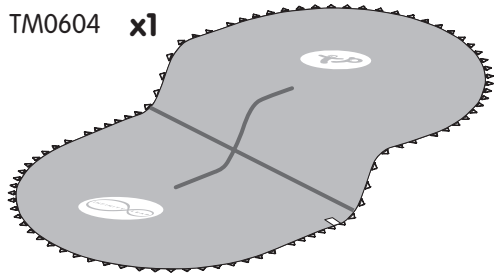


Pack 1

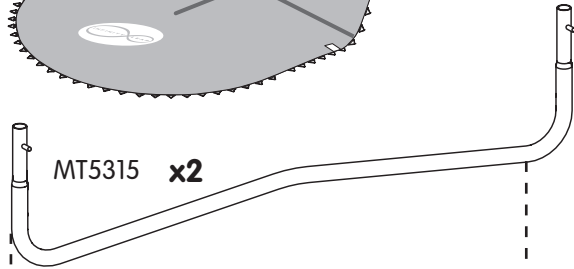


Pack 2

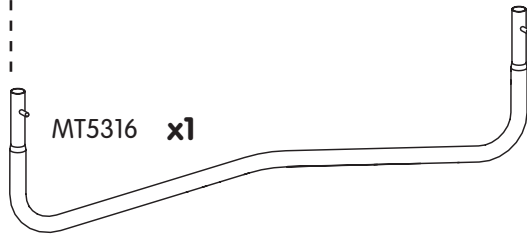
TM0604 **x1**



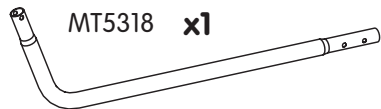
MT5315 **x2**



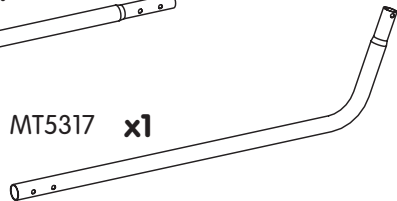
MT5316 **x1**



MT5318 **x1**



MT5317 **x1**



MT5323 **x1**

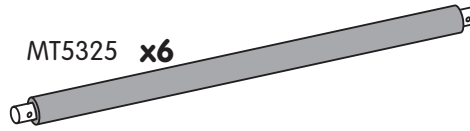


MT5324 **x1**

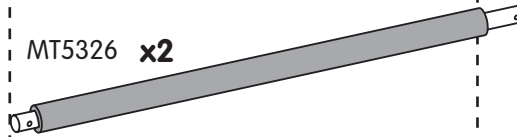


Pack 3

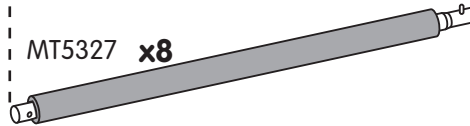
MT5325 **x6**



MT5326 **x2**

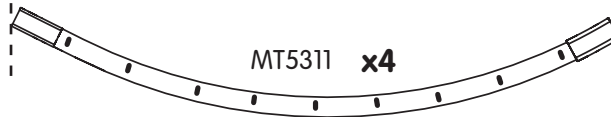


MT5327 **x8**



Pack 4

MT5311 **x4**



MT5312 **x2**

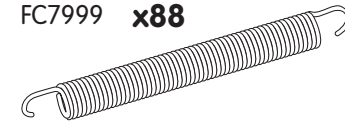


EL9066 **x15**

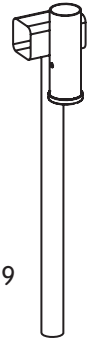


Pack 5

FC7999 **x88**

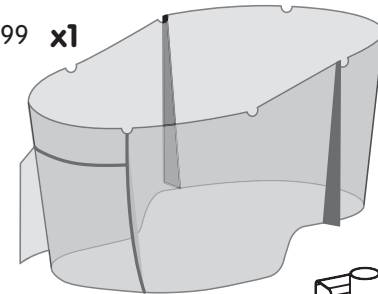


MT5319 **x4**

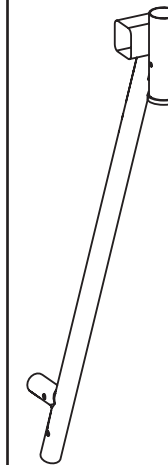


Pack 6

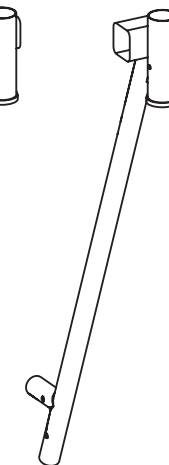
TS3499 **x1**



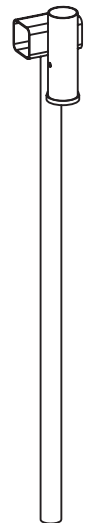
MT5322 **x1**



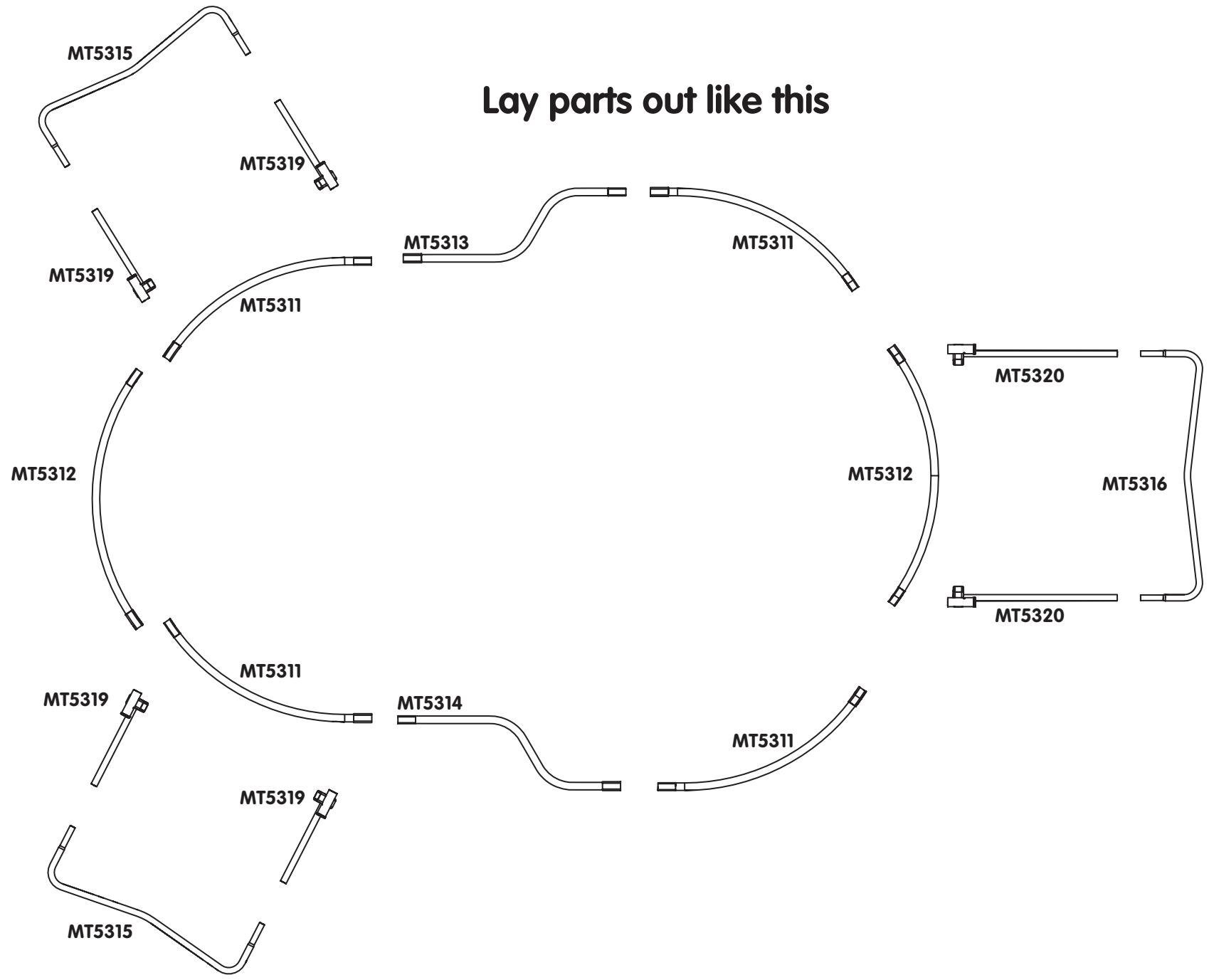
MT5321 **x1**



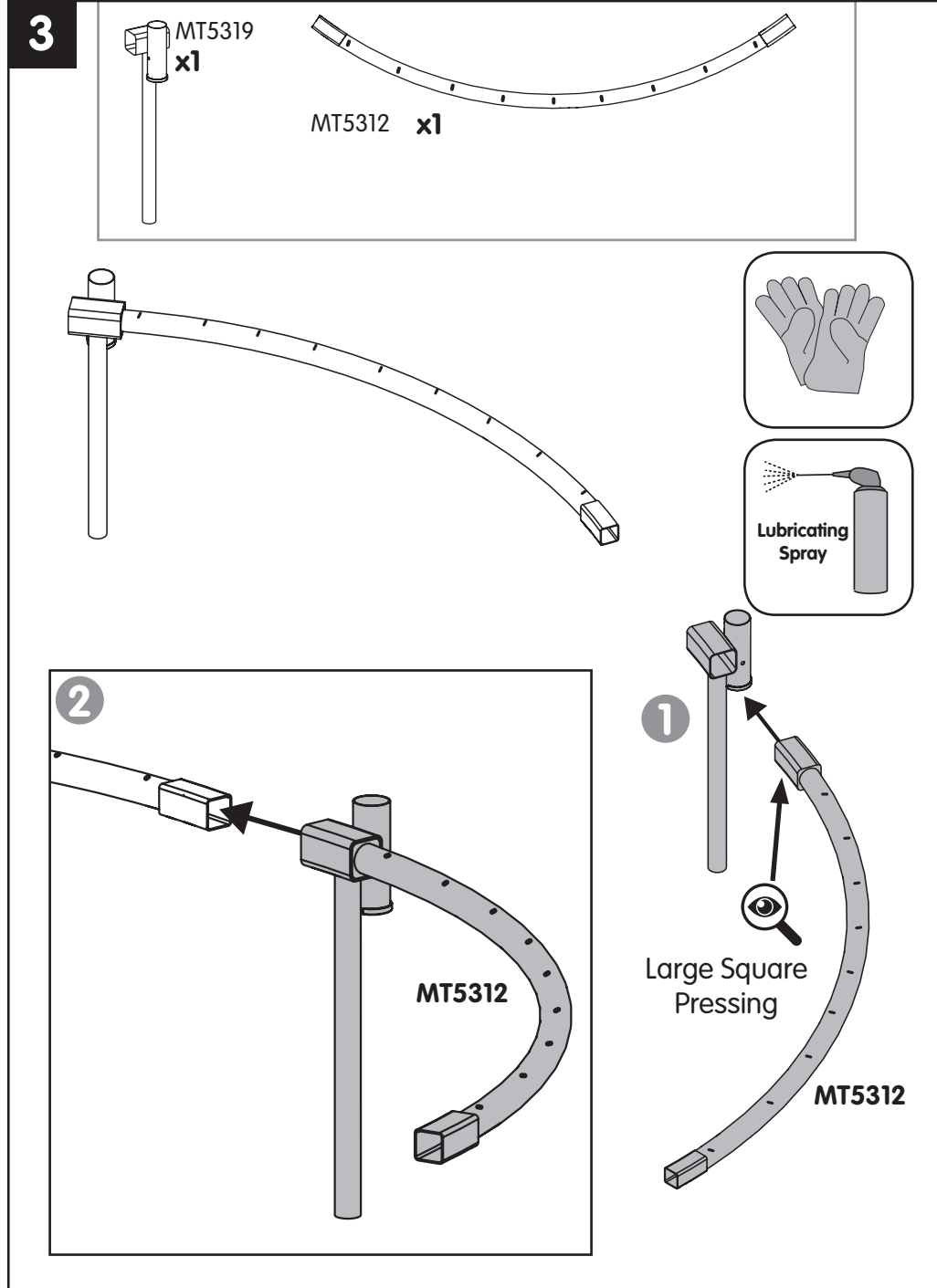
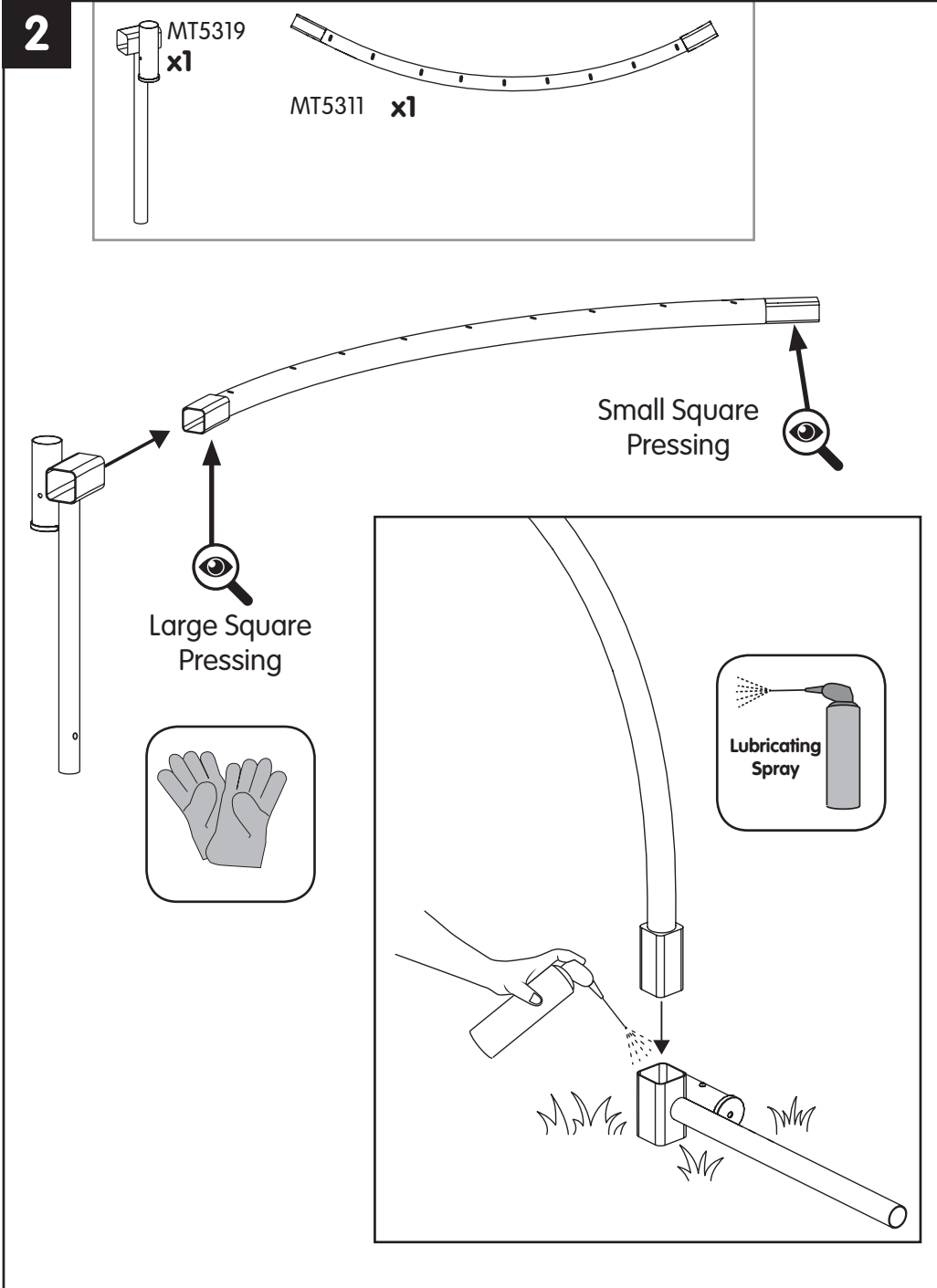
MT5320 **x2**



1

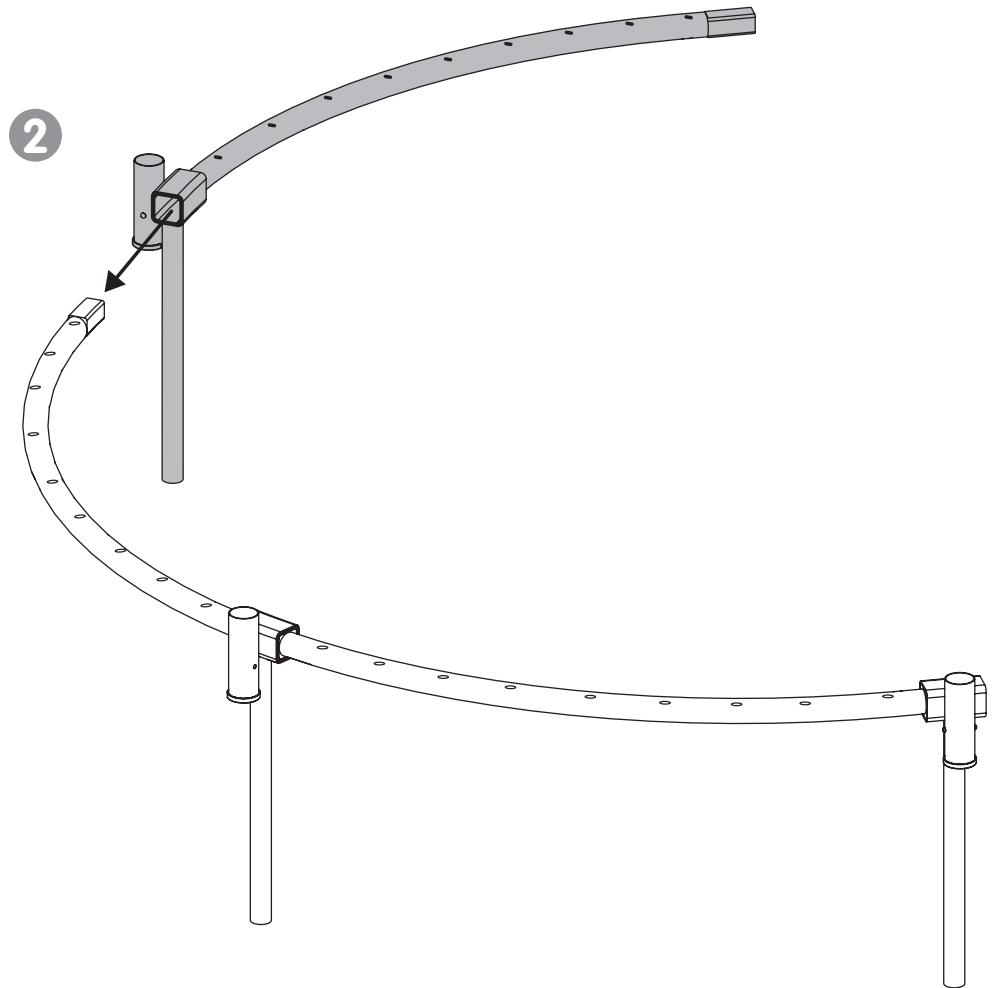
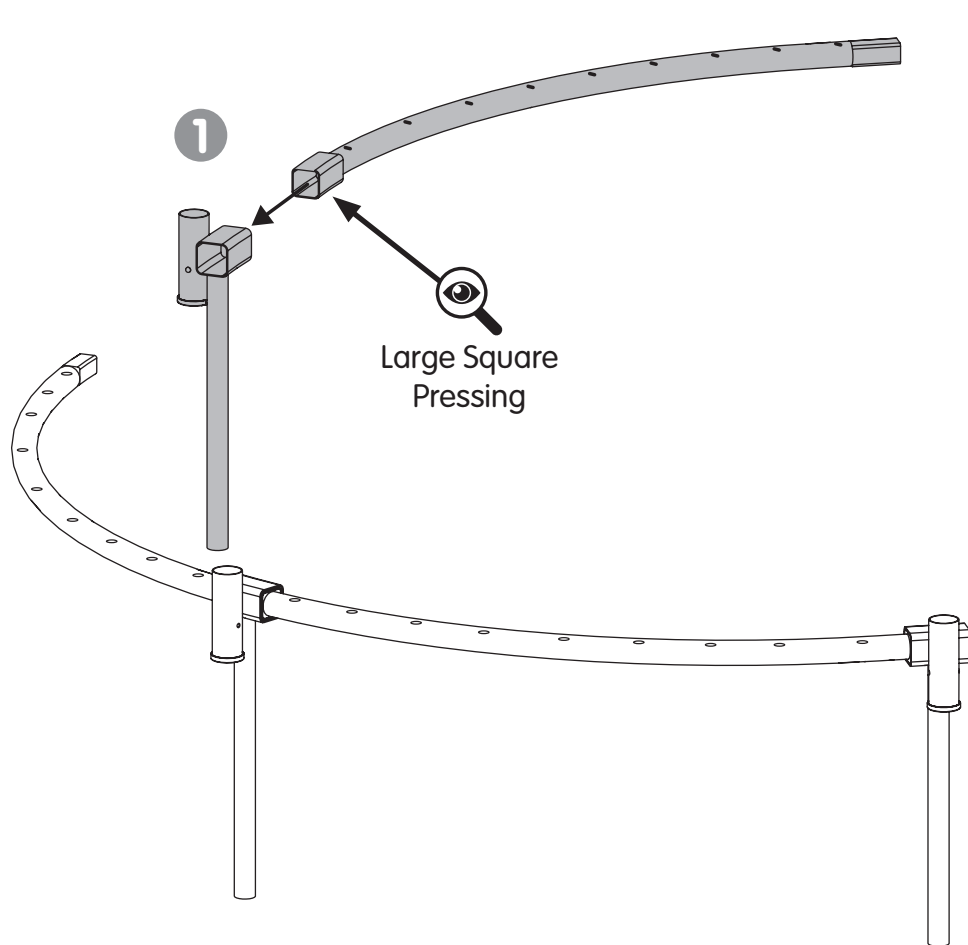
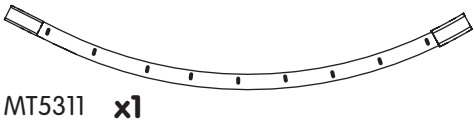
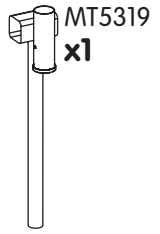


6



7

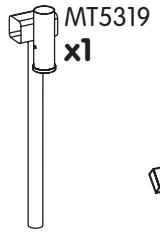
4



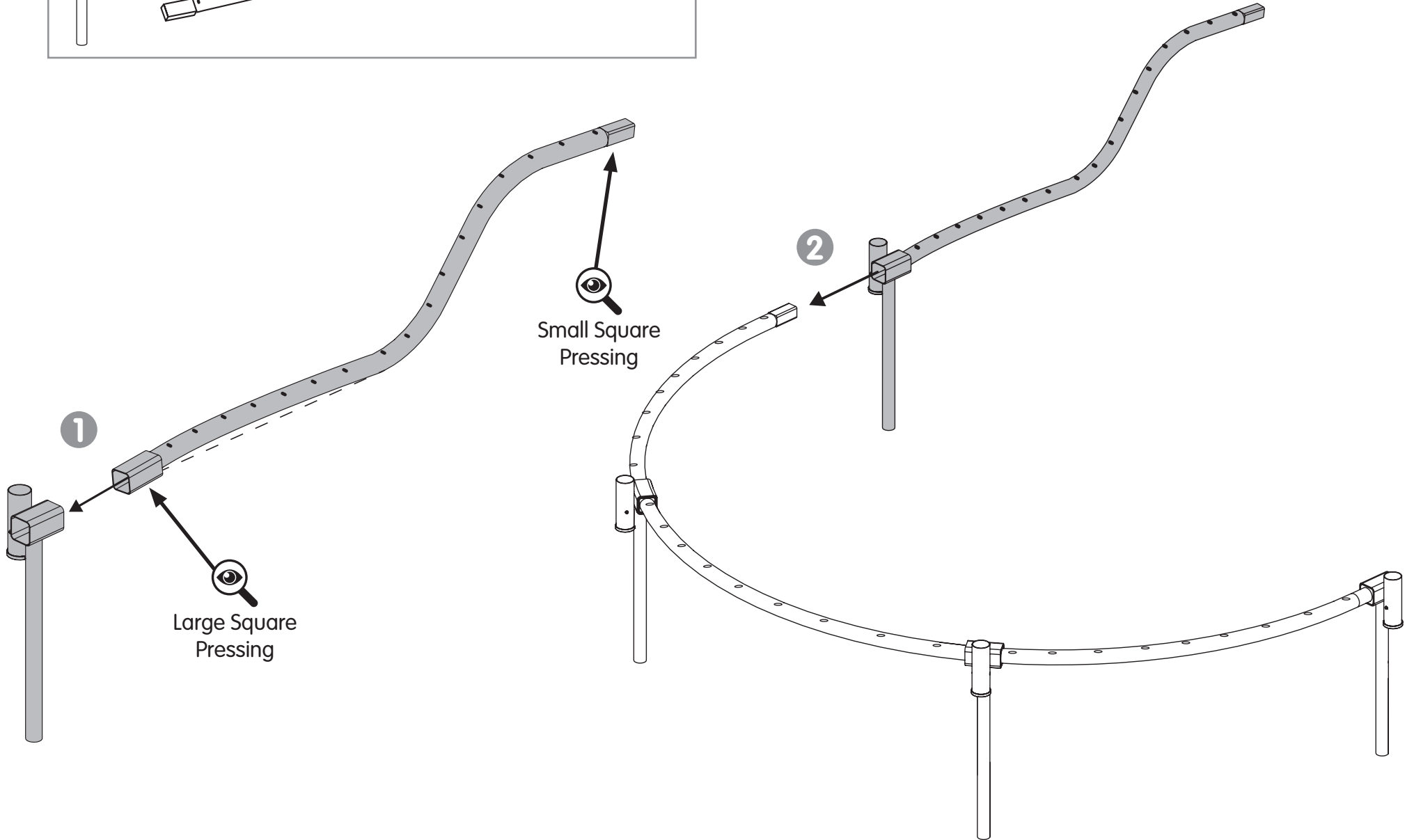
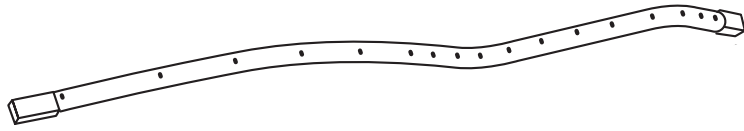
8

TP Infinity Leap Trampoline

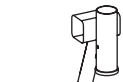
5



MT5313 x1



6



MT5322
x1

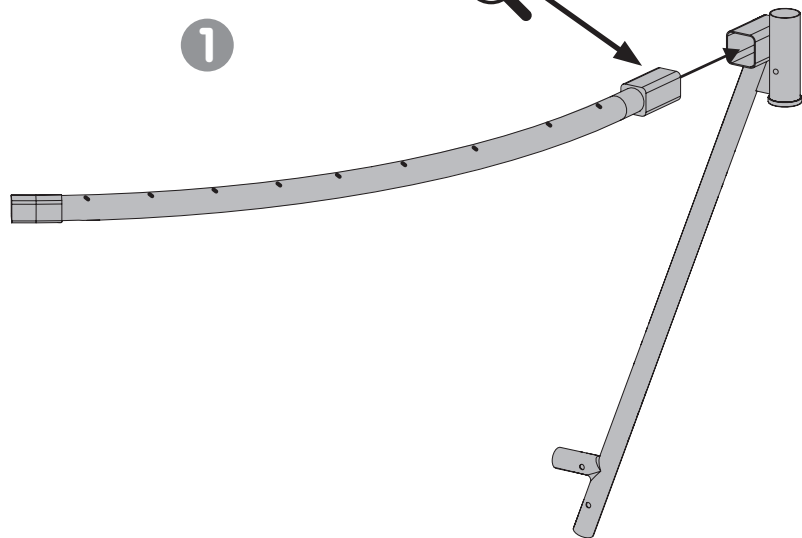


MT5311 x1

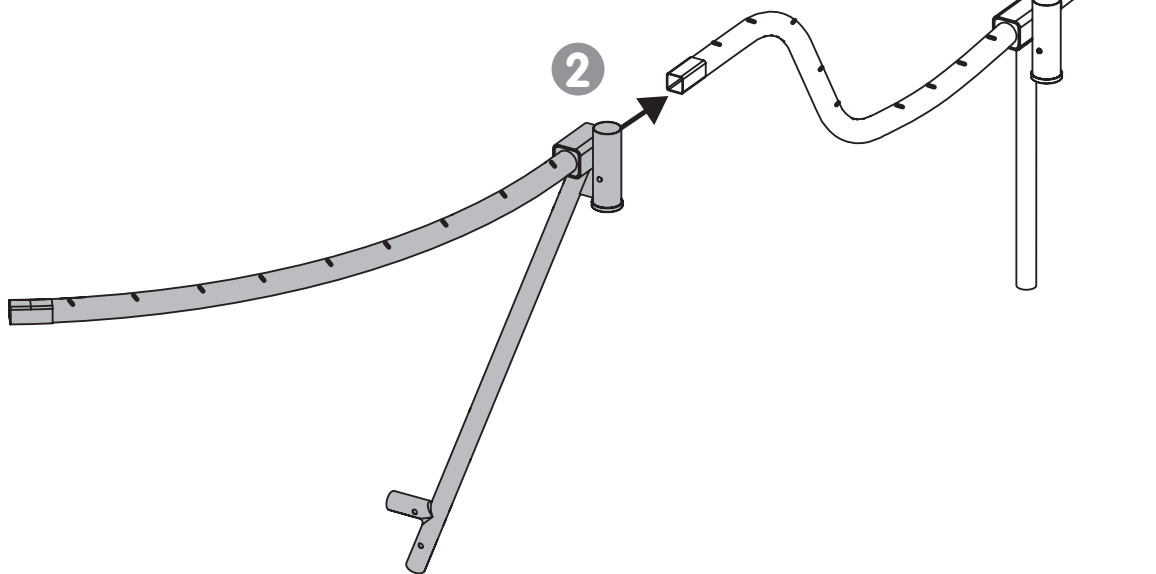
Large Square
Pressing



1



2

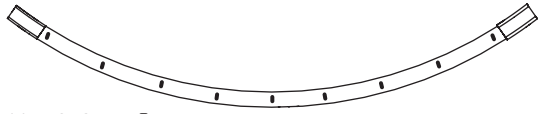


10

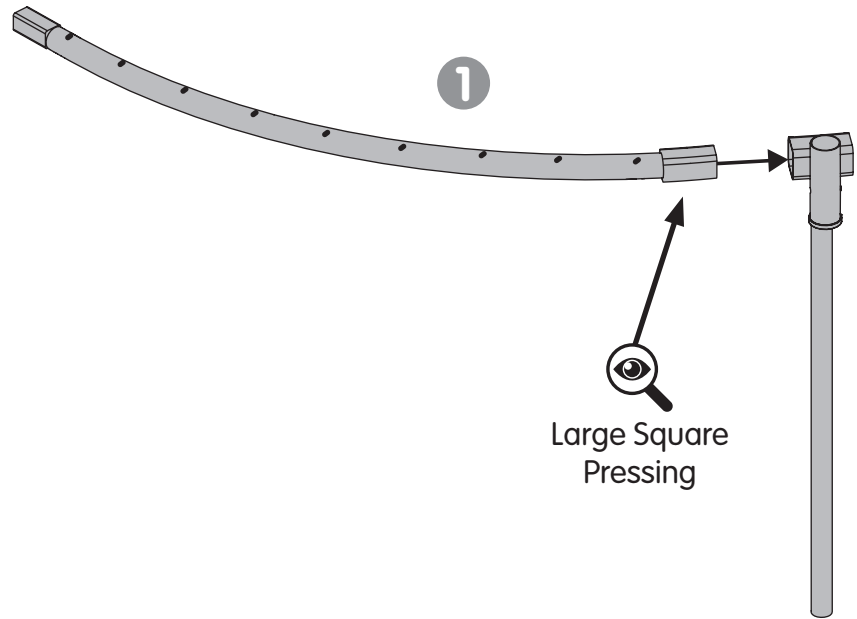
7



MT5320
x1

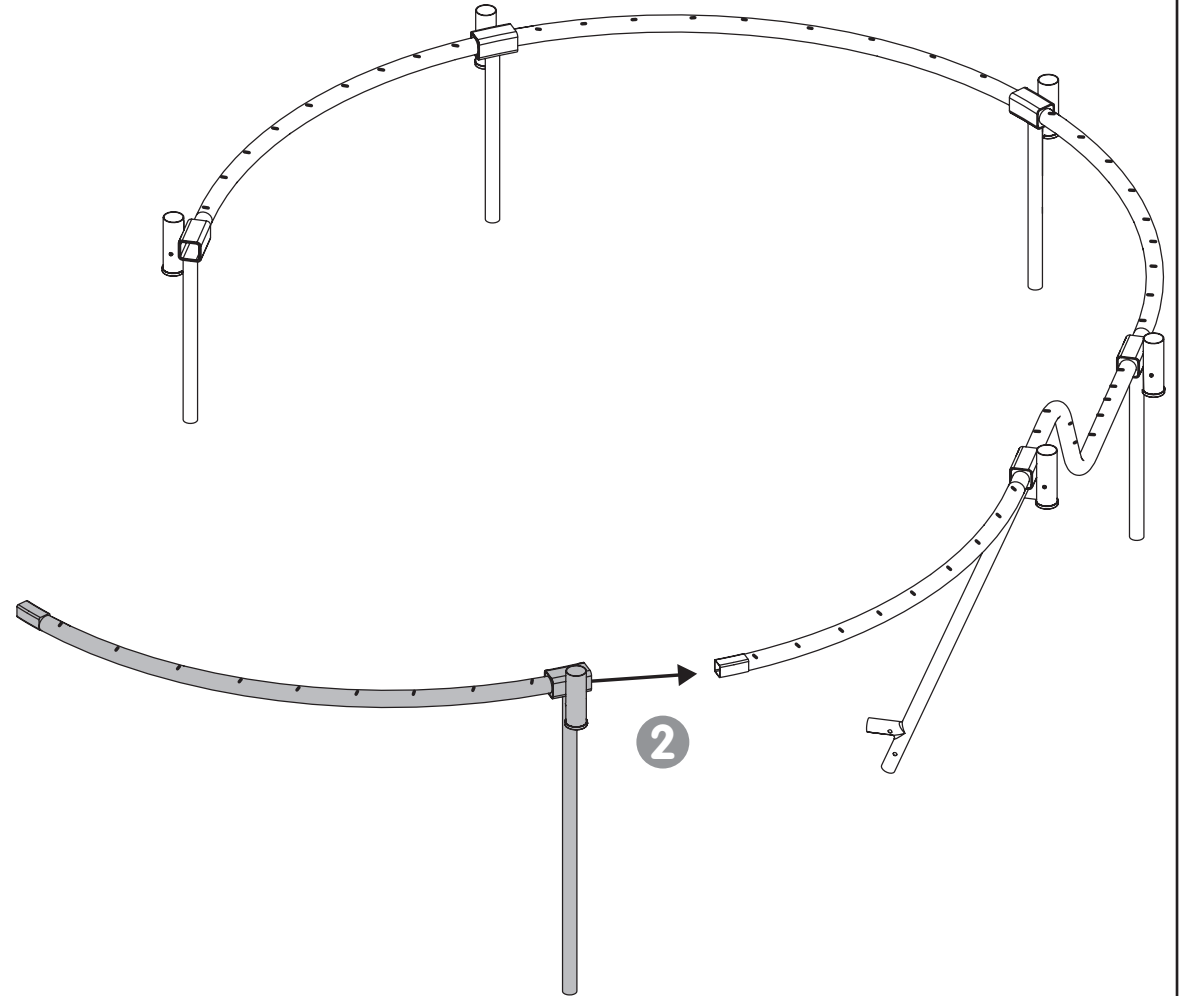


MT5312 x1



1

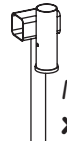
Large Square Pressing



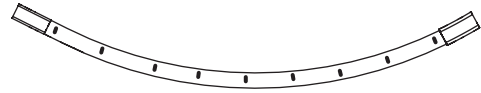
2

11

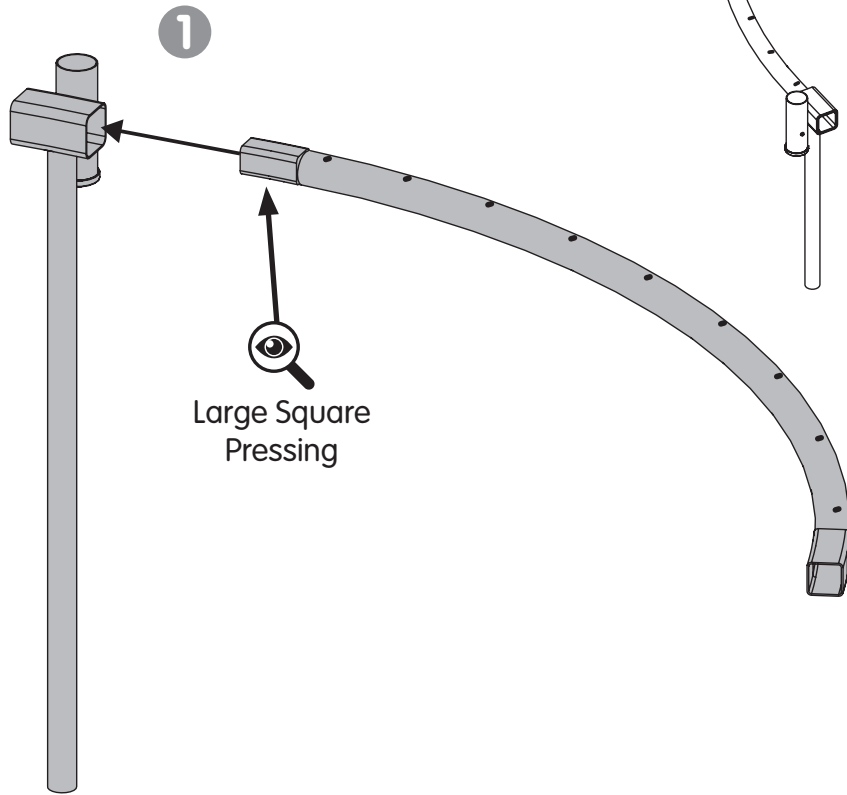
8



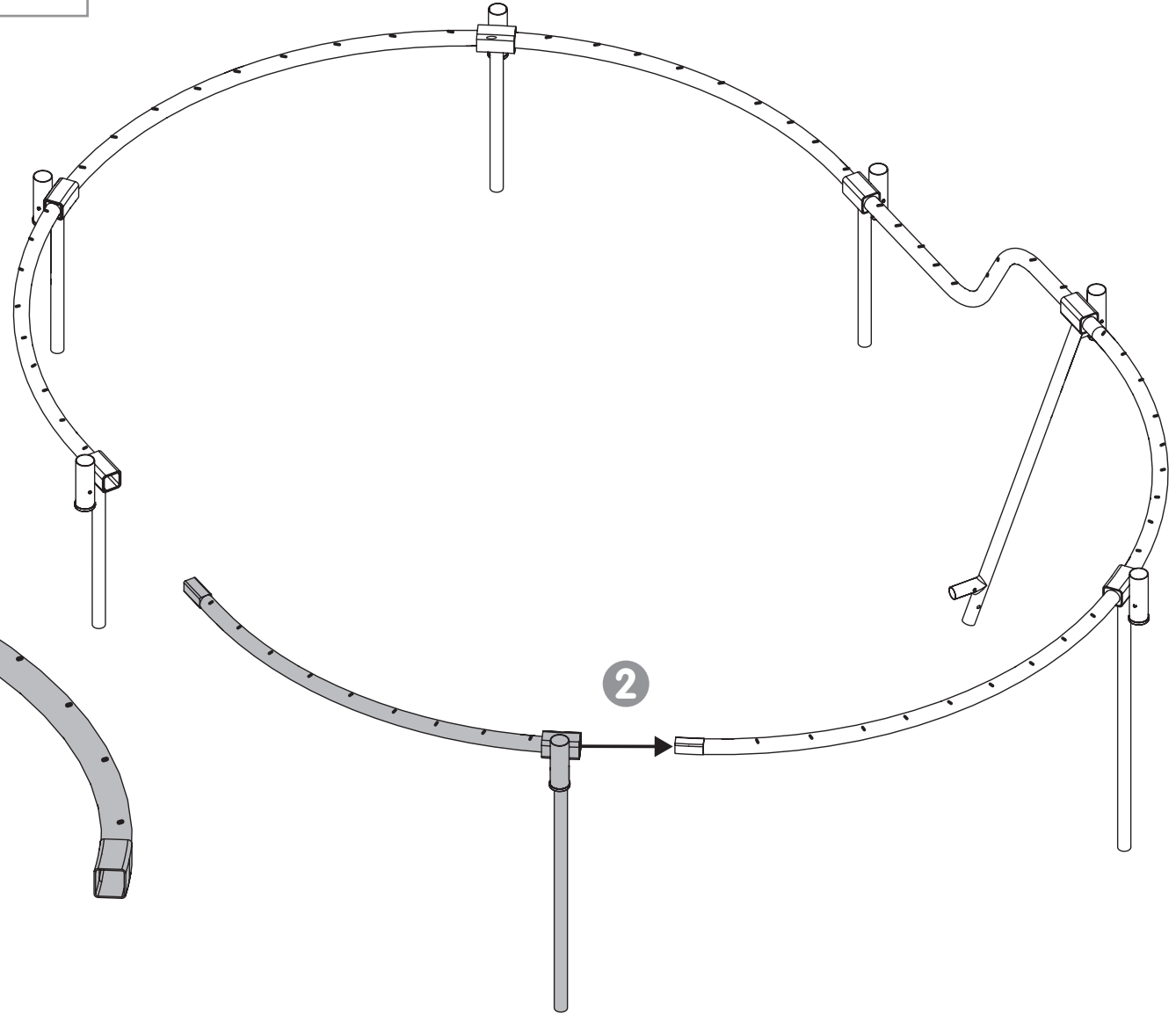
MT5320
x1



MT5311 x1



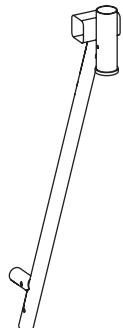
Large Square
Pressing



12

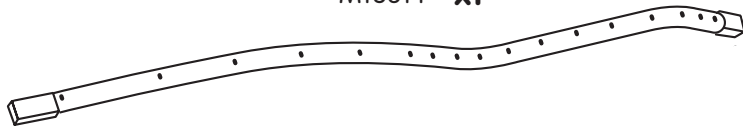
TP Infinity Leap Trampoline

9



MT5321
x1

MT5314 x1



Small Square
Pressing



1

Large Square
Pressing



2

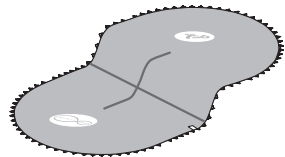
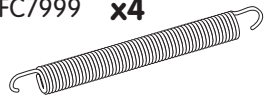
3

13

TP Infinity Leap Trampoline

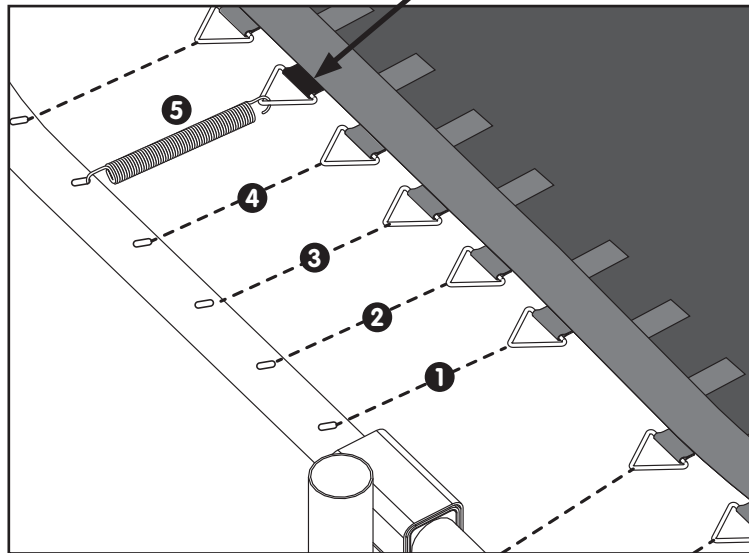
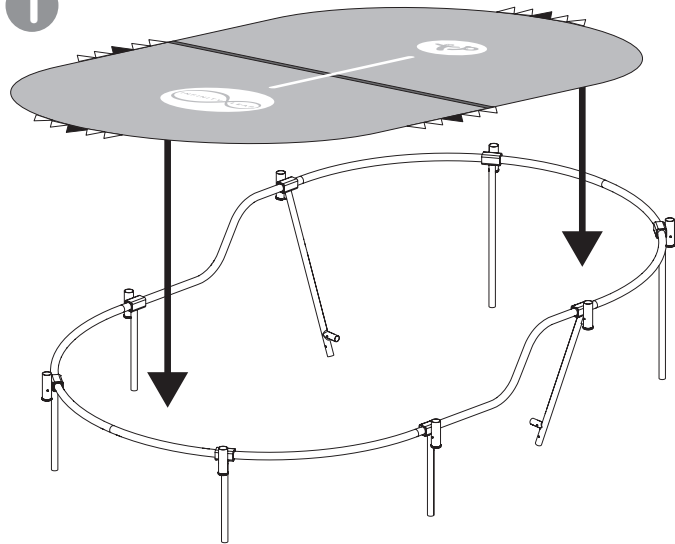
10

FC7999 x4

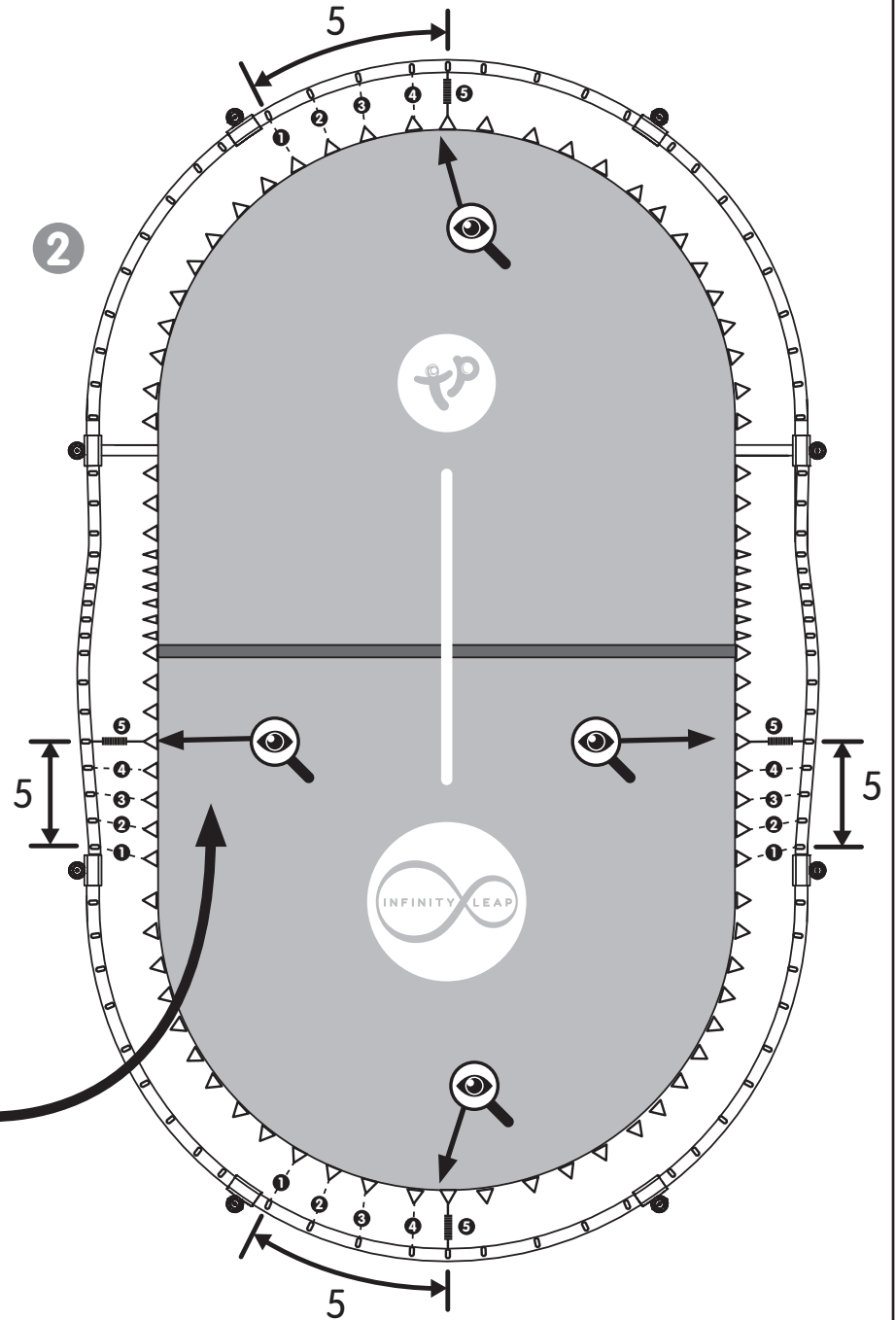


TM0604 x1

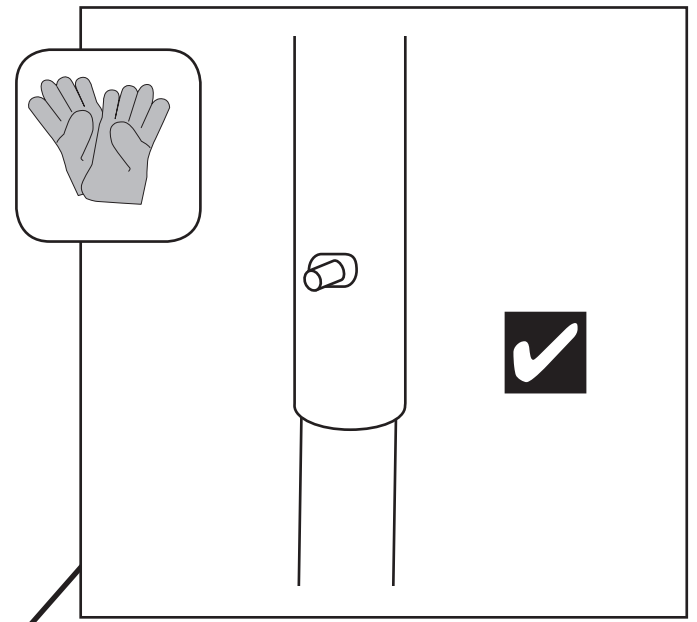
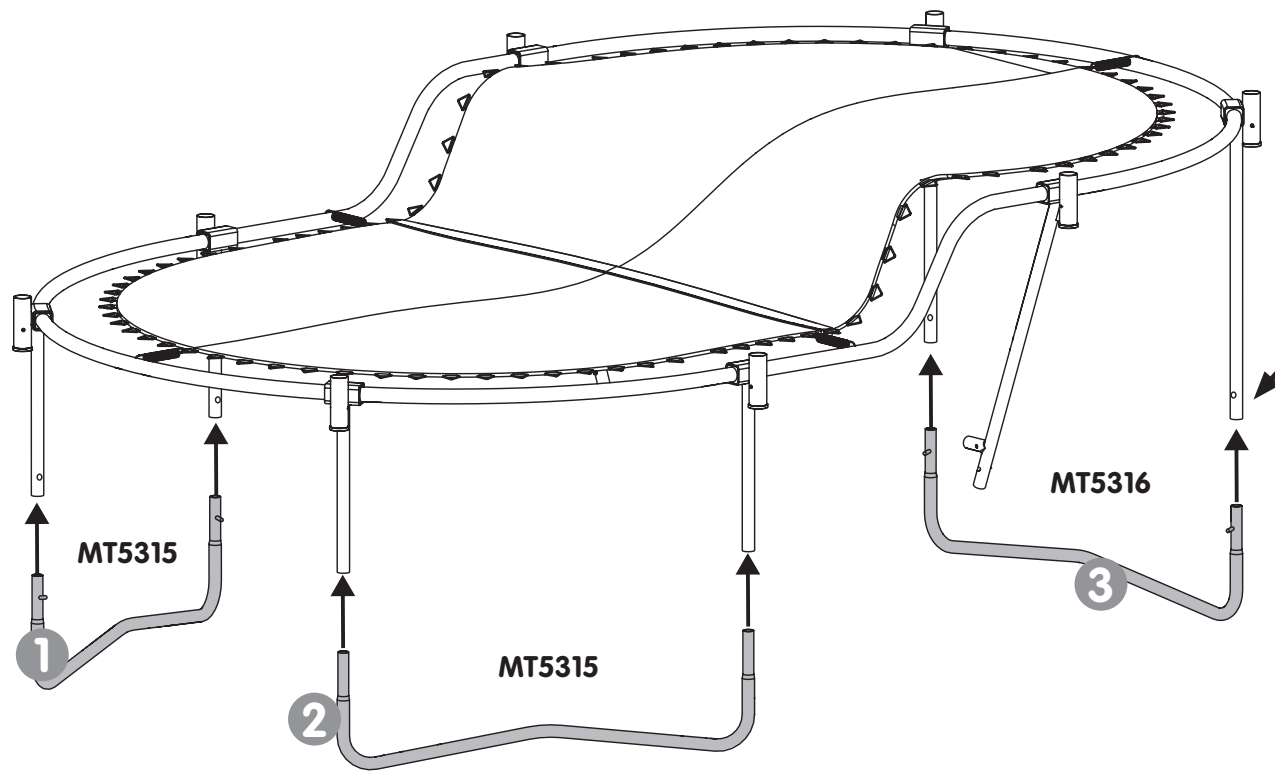
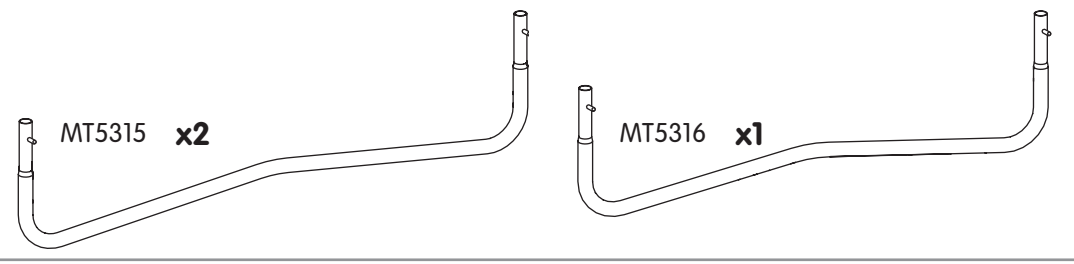
1



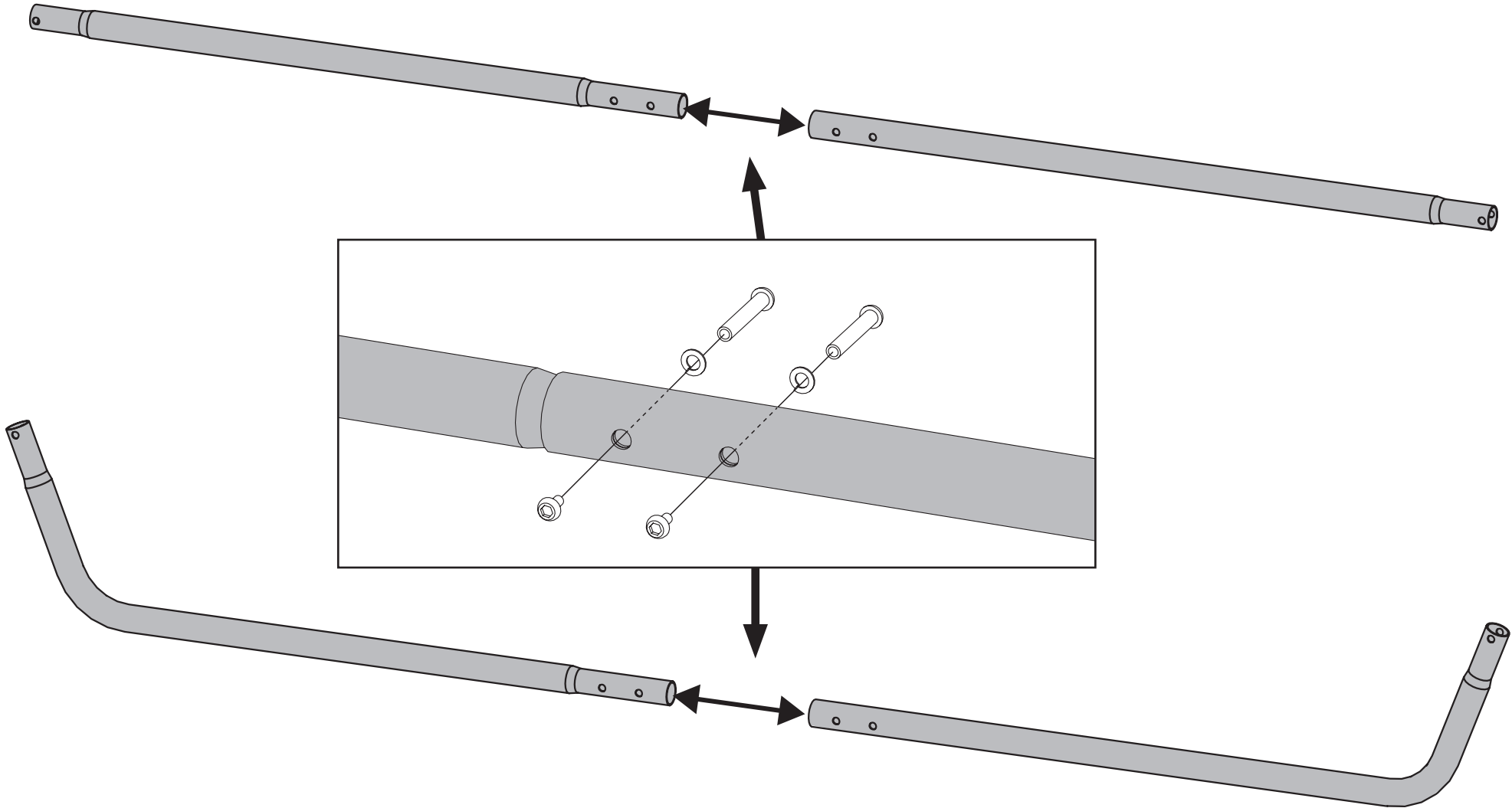
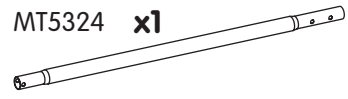
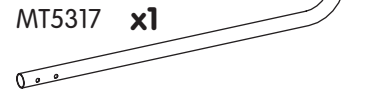
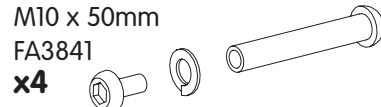
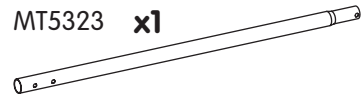
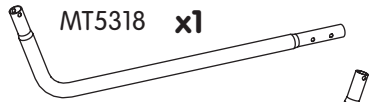
2



14



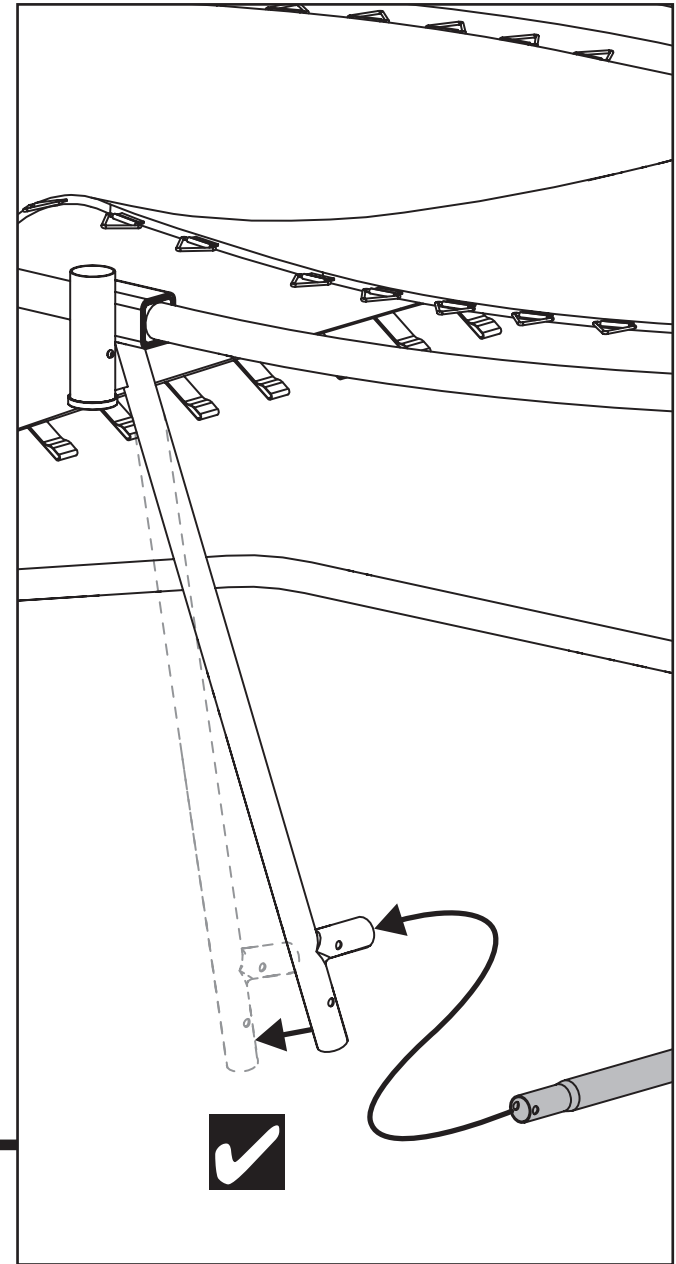
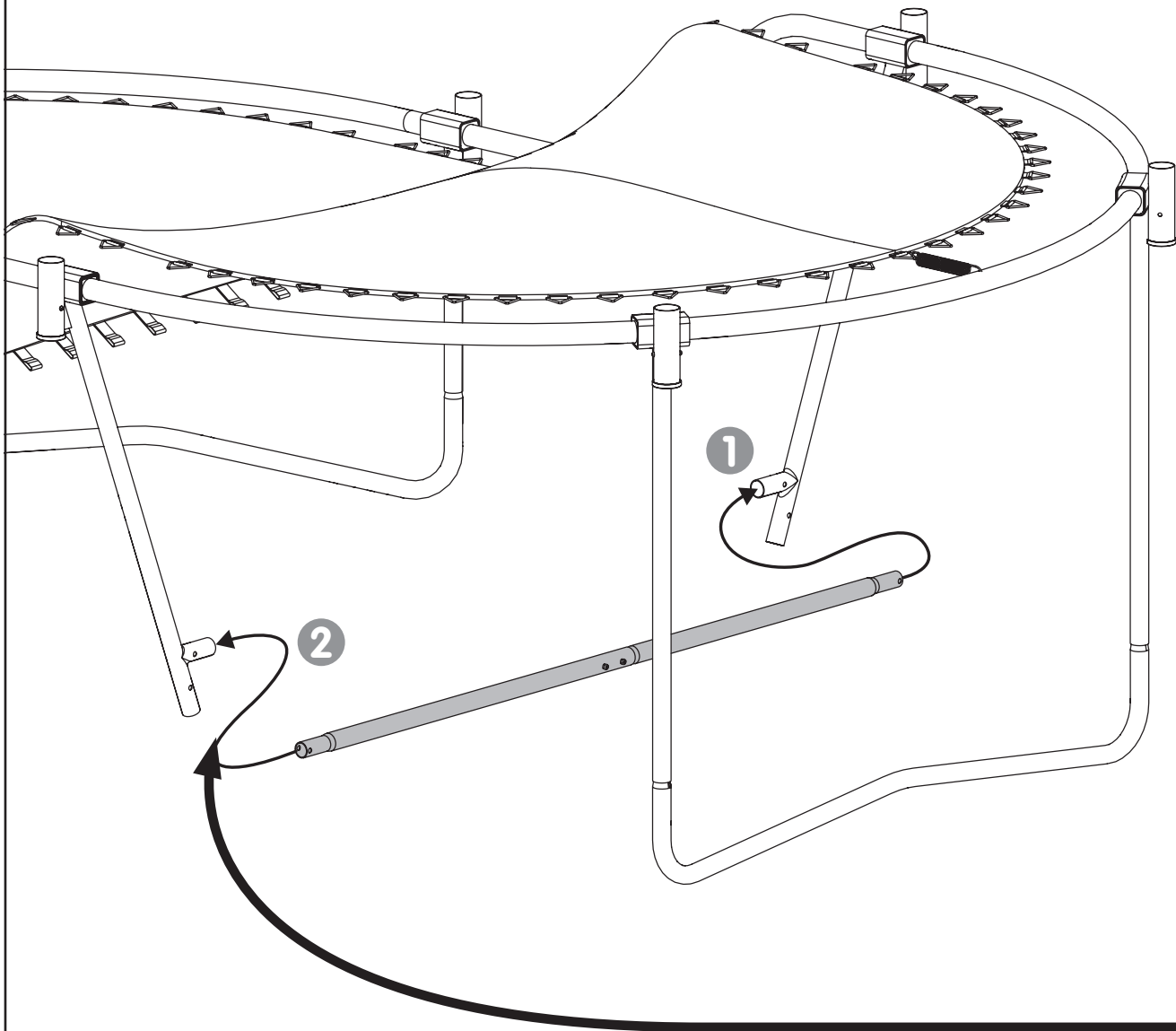
12



16

TP Infinity Leap Trampoline

13

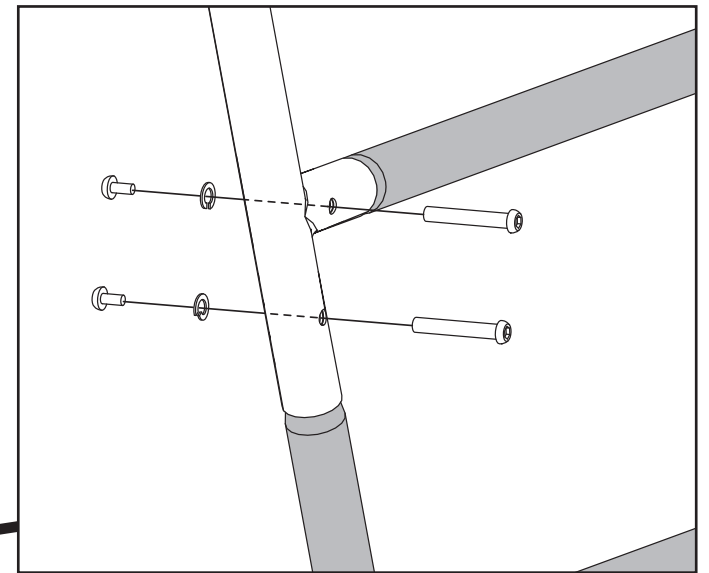
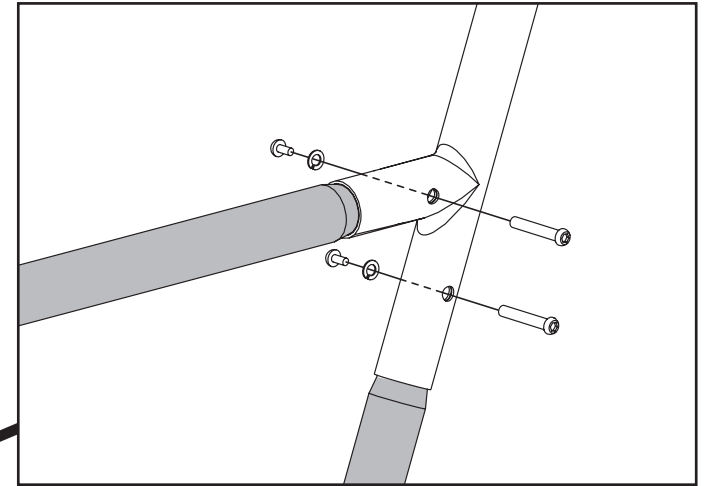
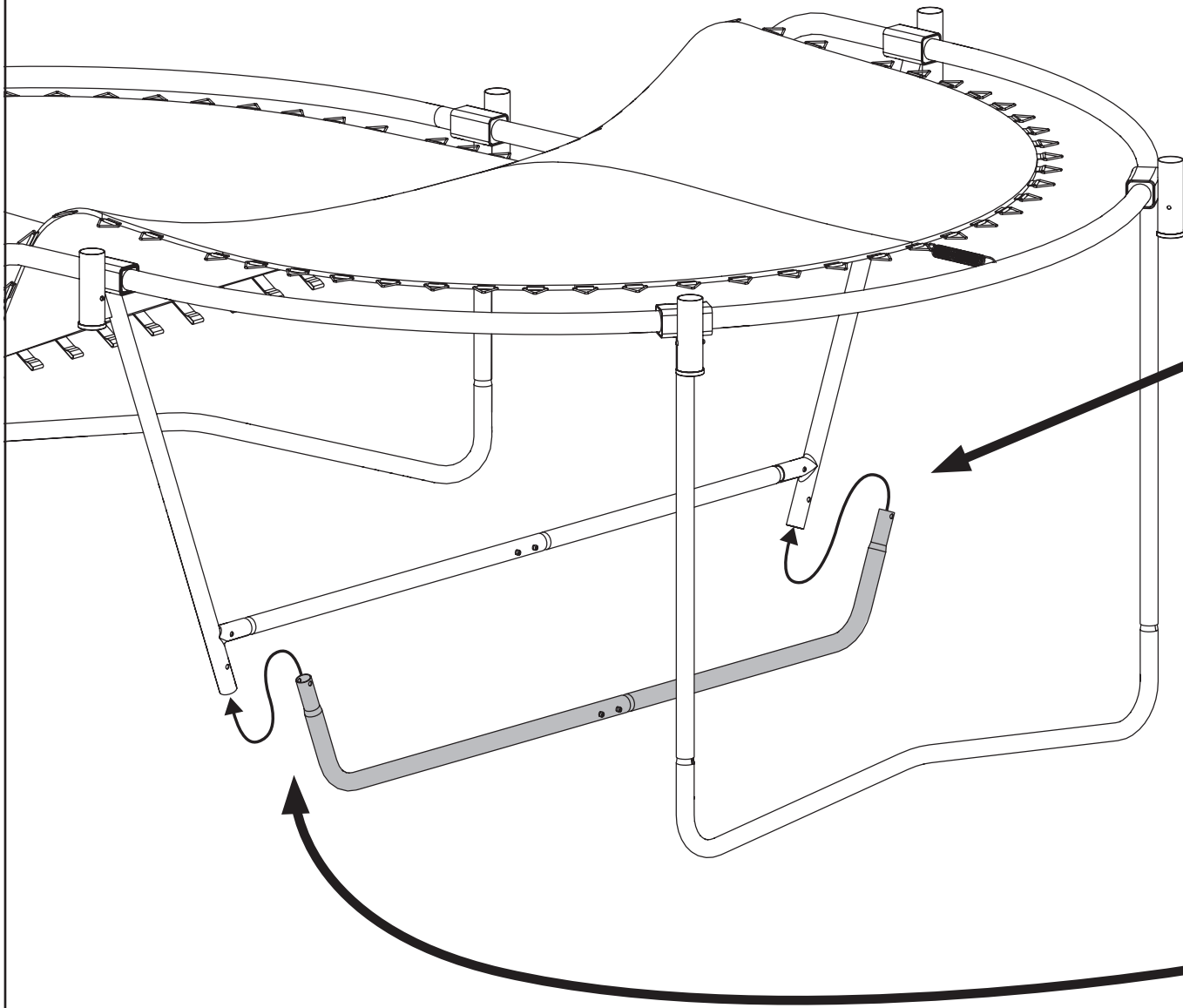
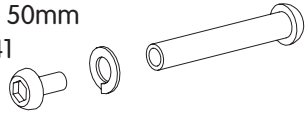


17

TP Infinity Leap Trampoline

14

M10 x 50mm
FA3841
x4



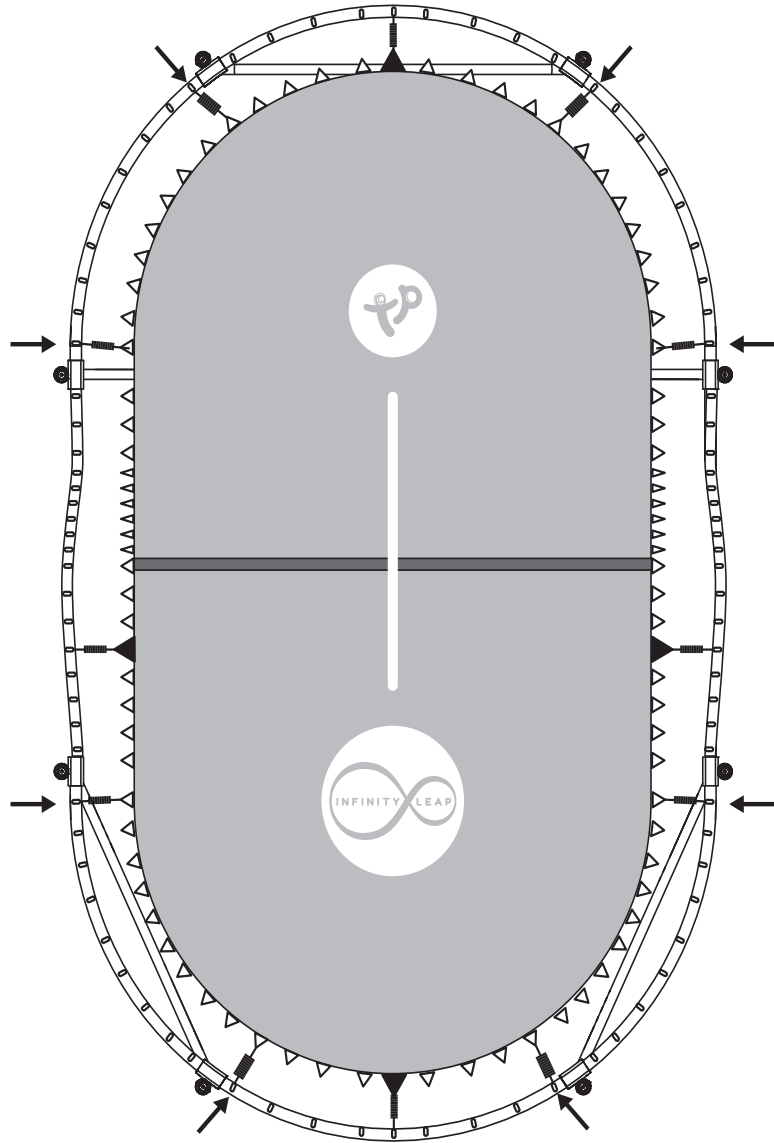
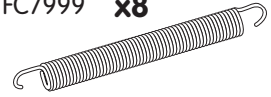
18

TP Infinity Leap Trampoline

15

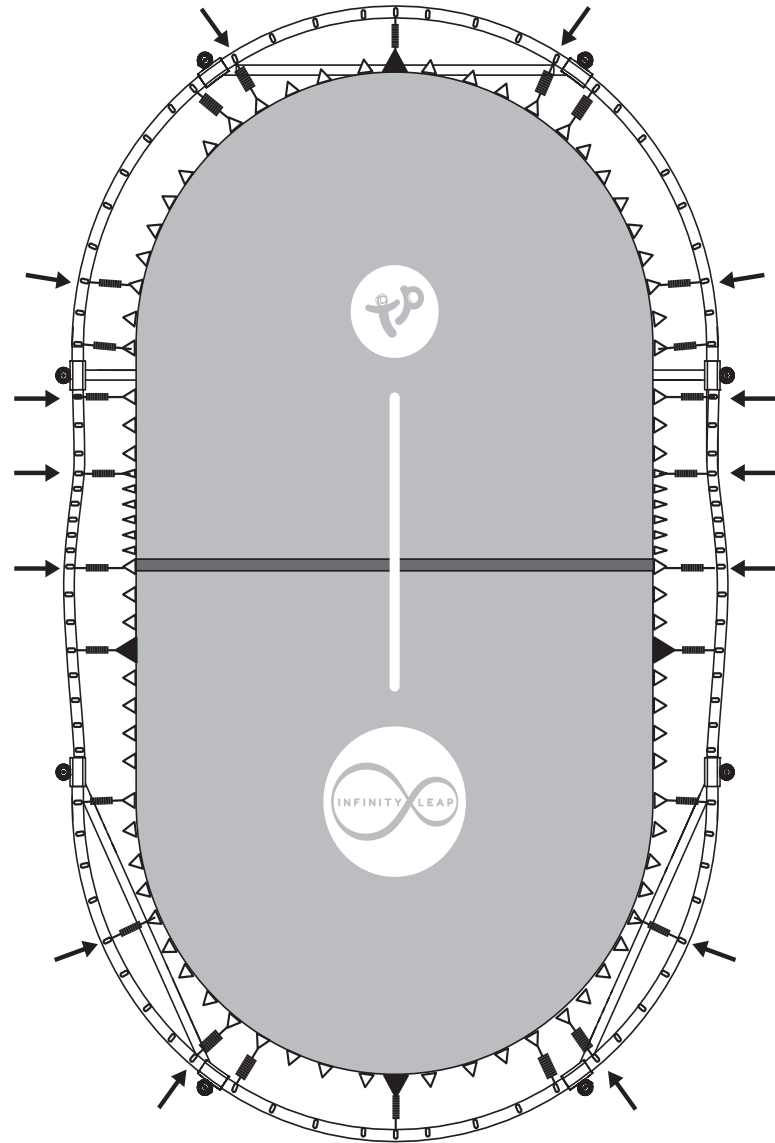
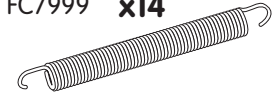
1

FC7999 x8



2

FC7999 x14

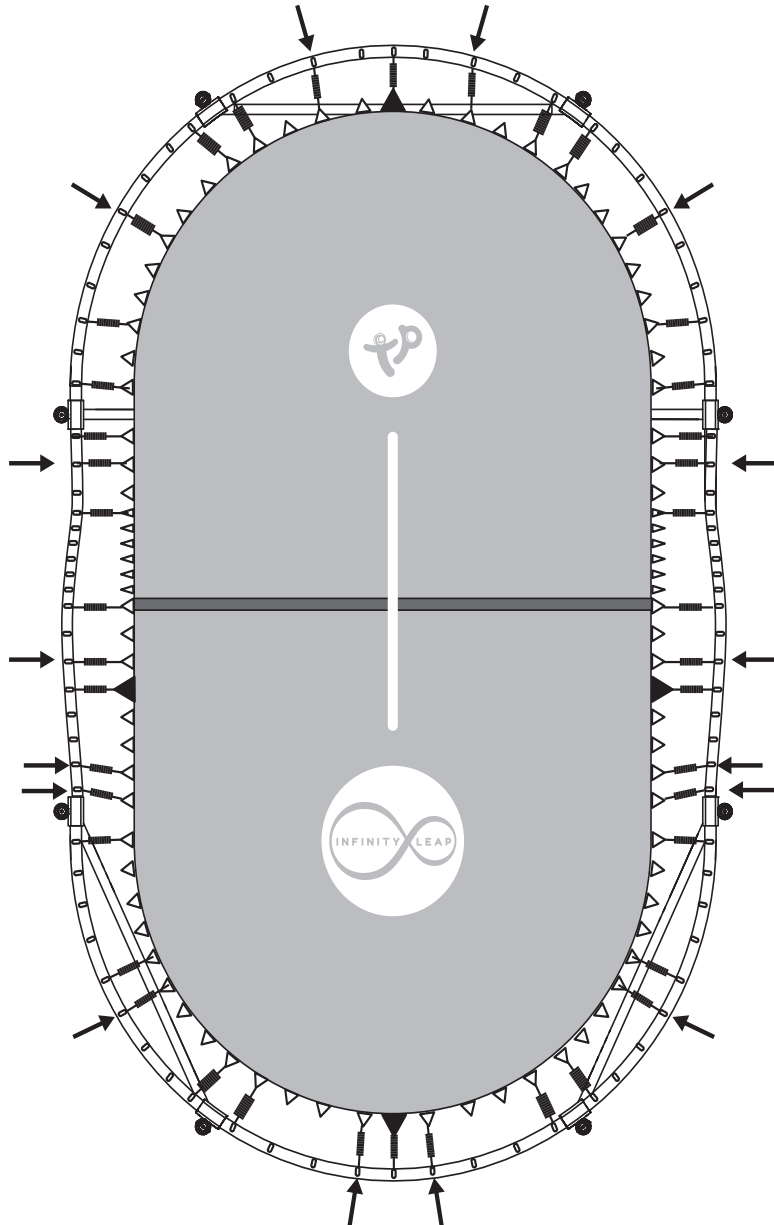
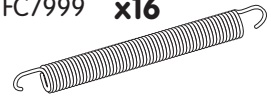


19

16

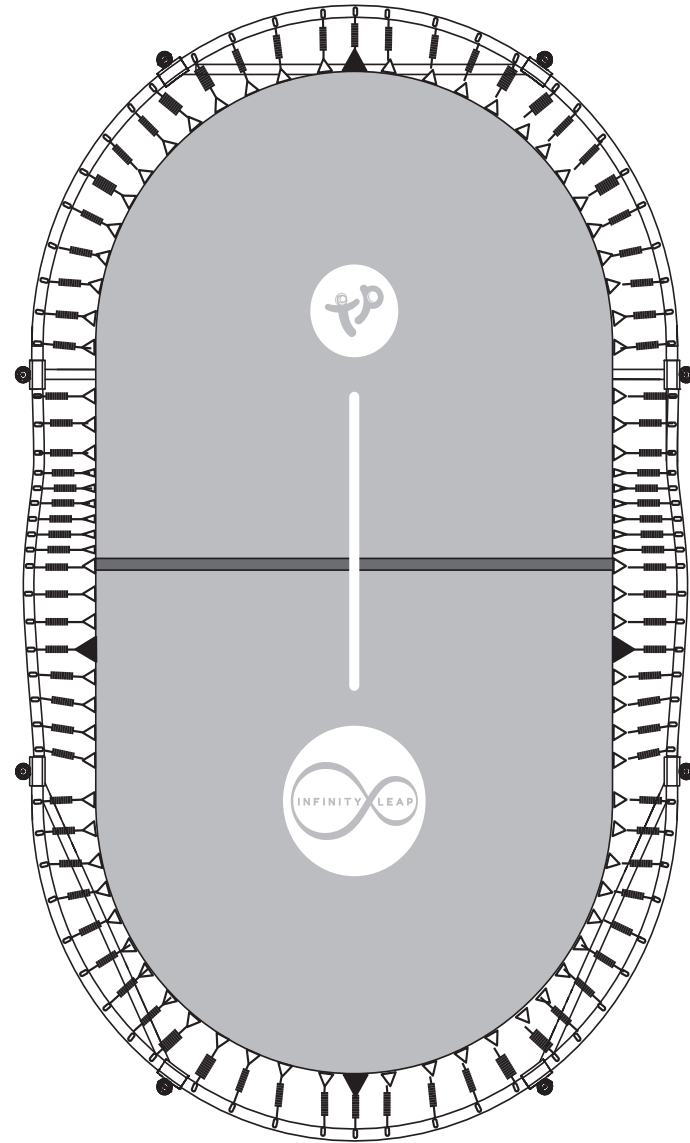
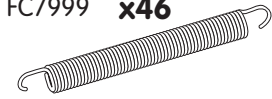
3

FC7999 x16

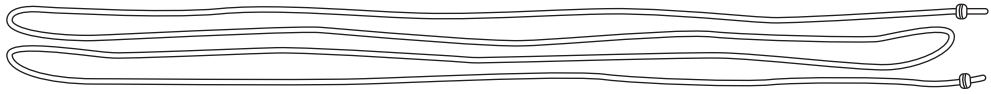


4

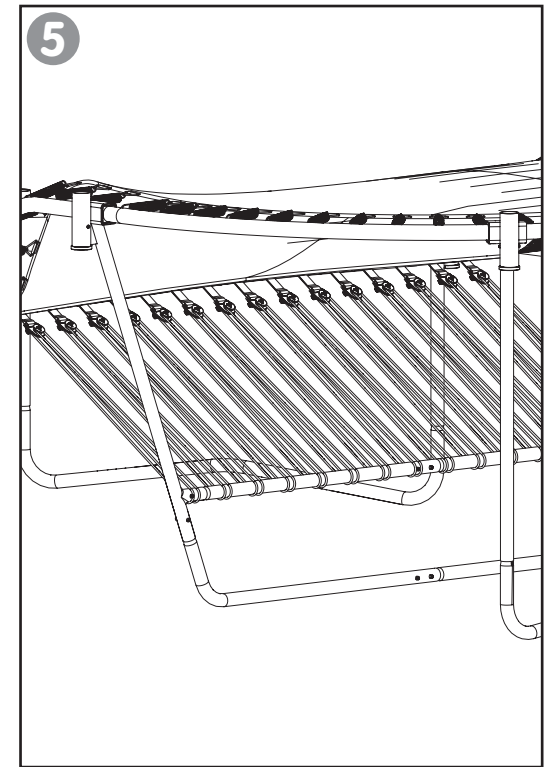
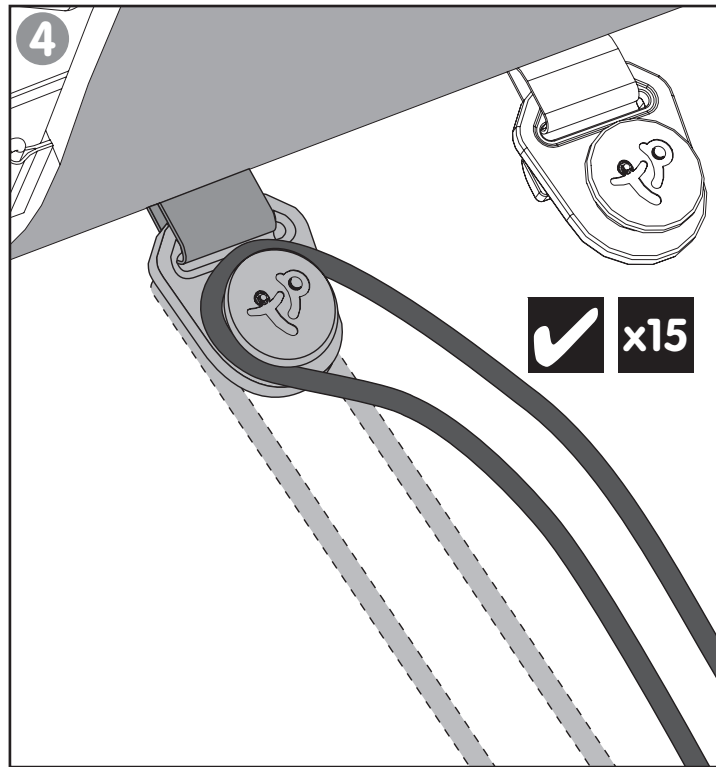
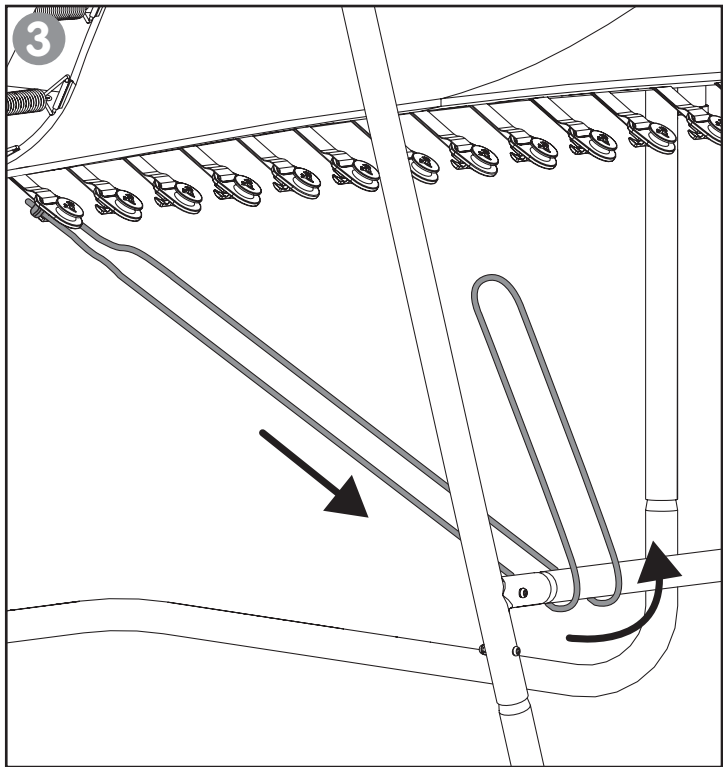
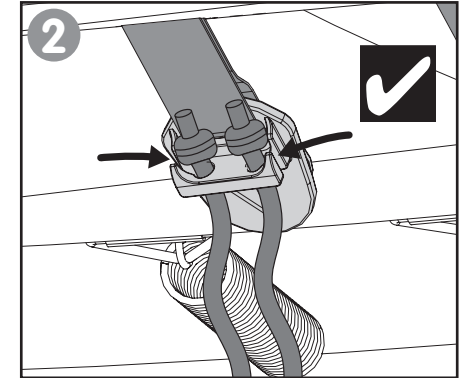
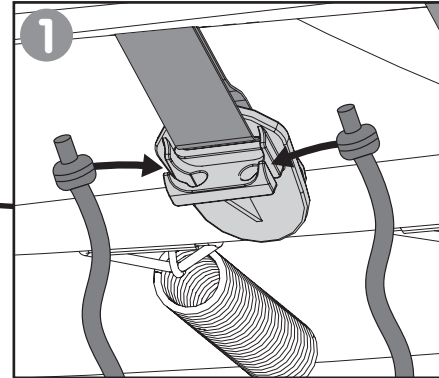
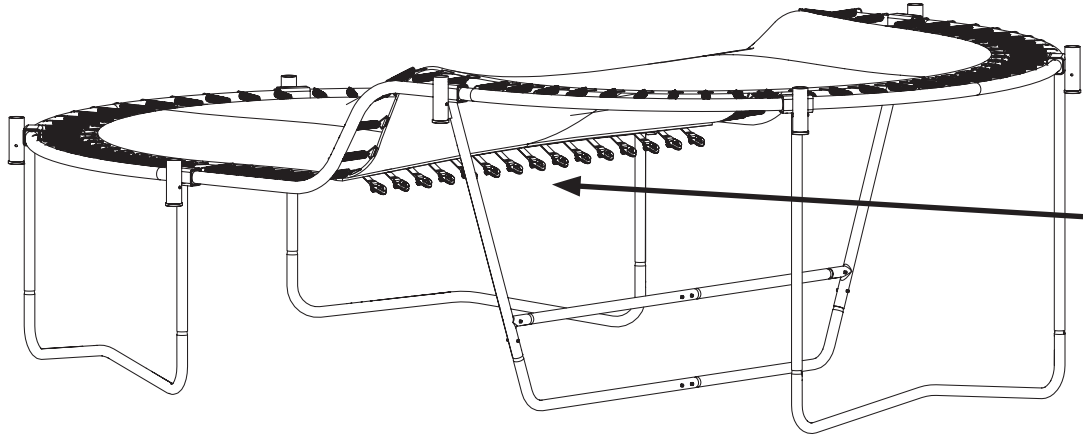
FC7999 x46



17

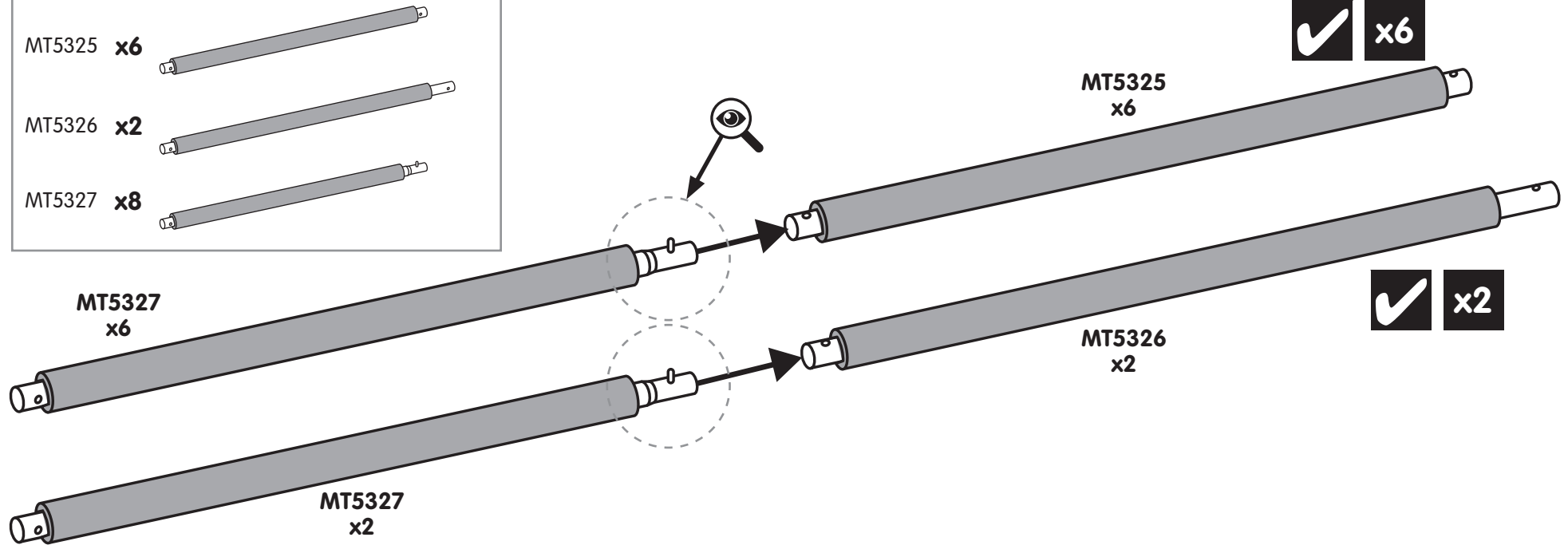


EL9066
x15



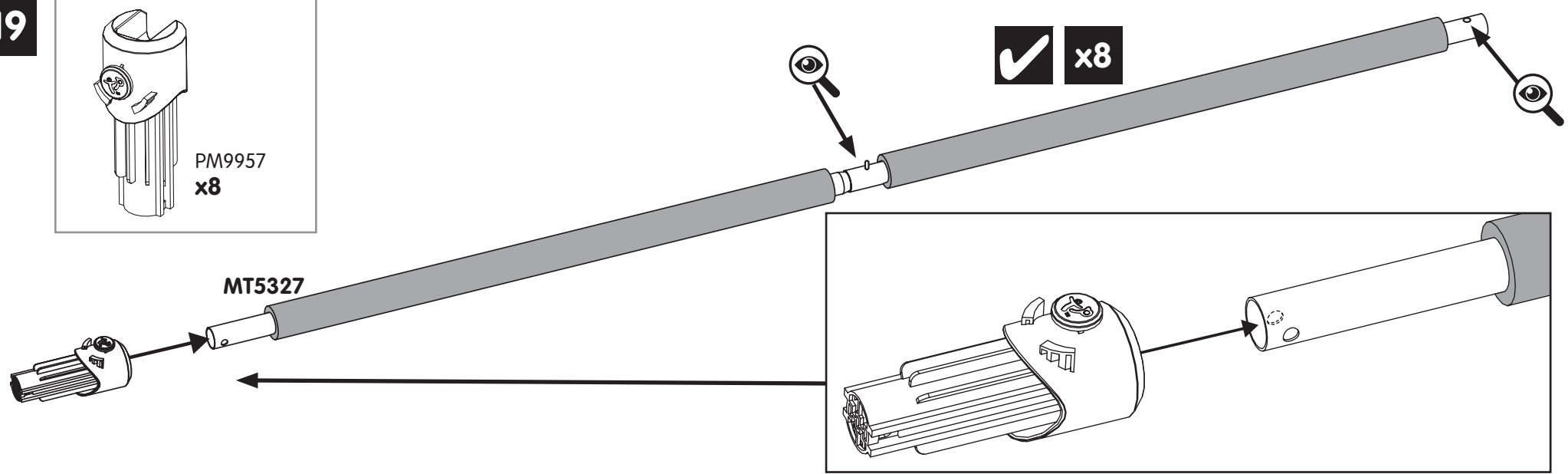
18

- MT5325 x6
- MT5326 x2
- MT5327 x8



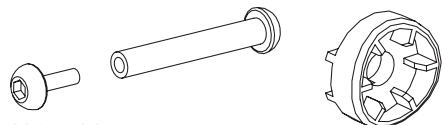
19

- PM9957 x8



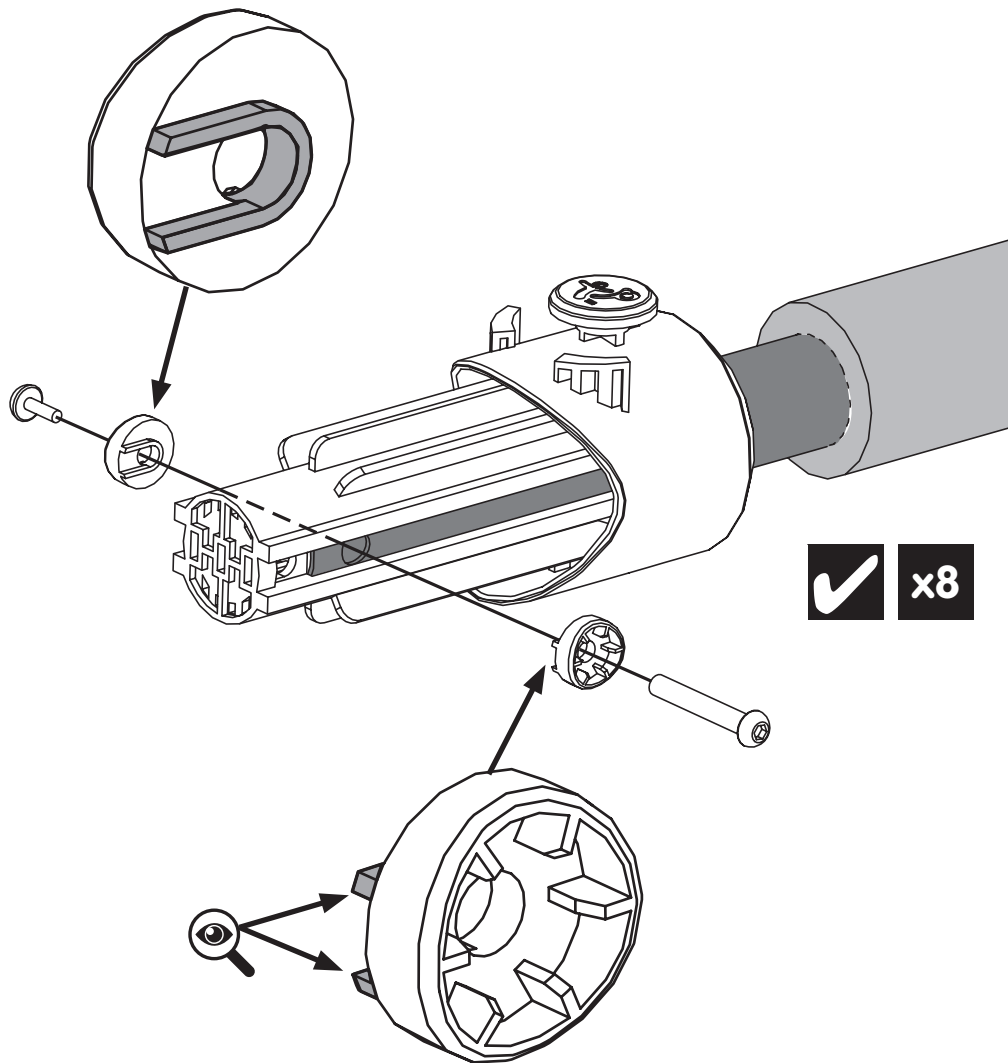
22

20

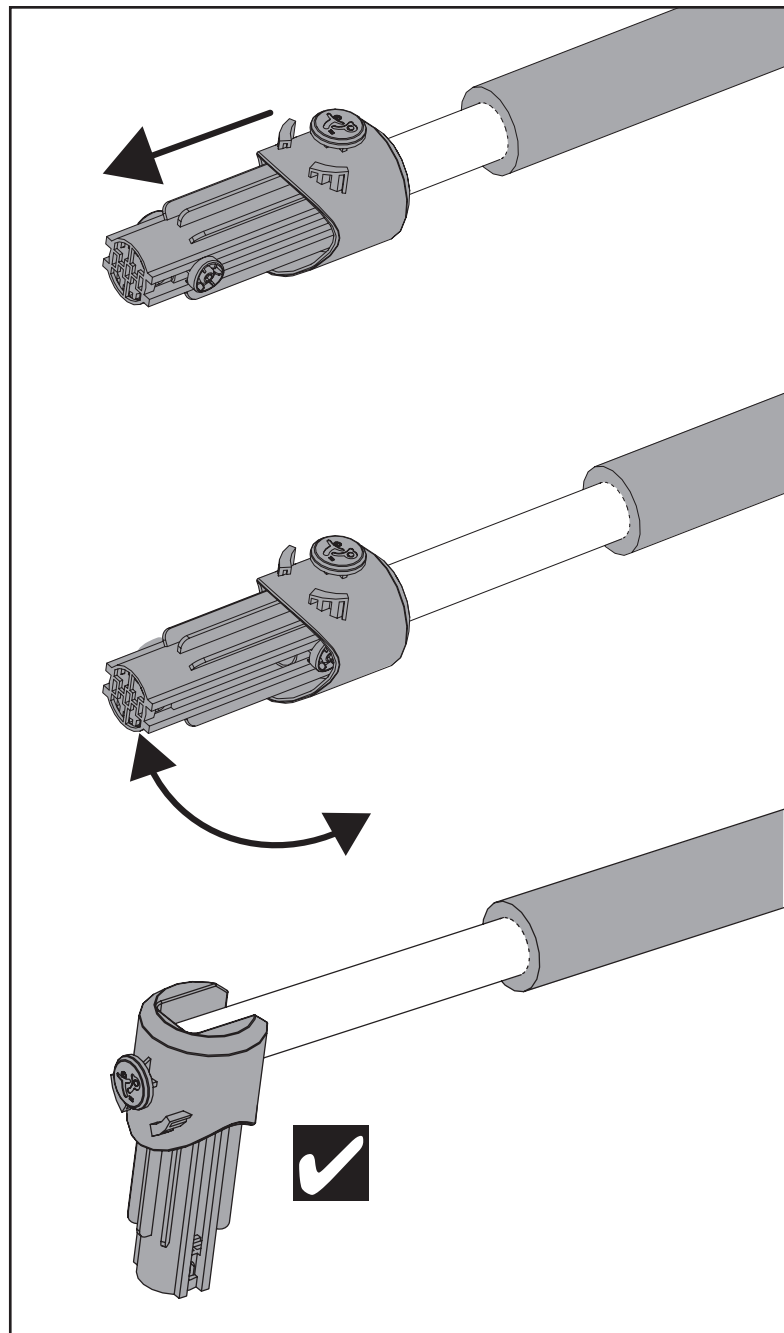


M6 x 44mm
FA2849
x8

PM9968
x16



✓ x8



23

21

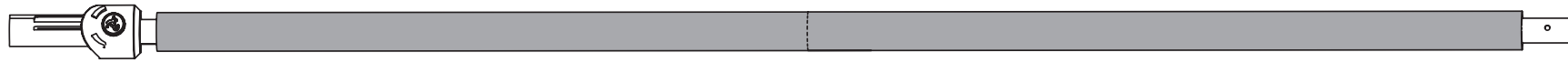
FB3035 x6



FB3034 x2



✓ x6



✓ x2

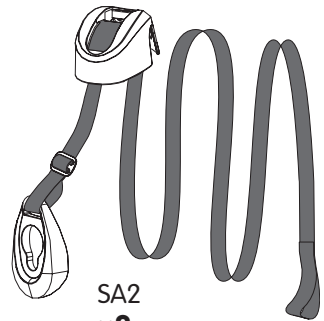


✓

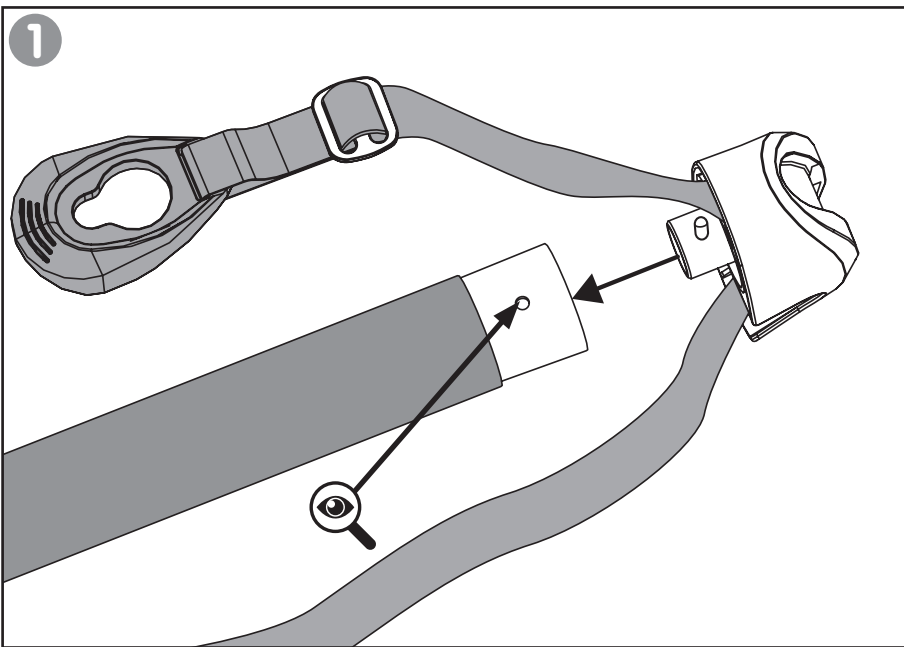
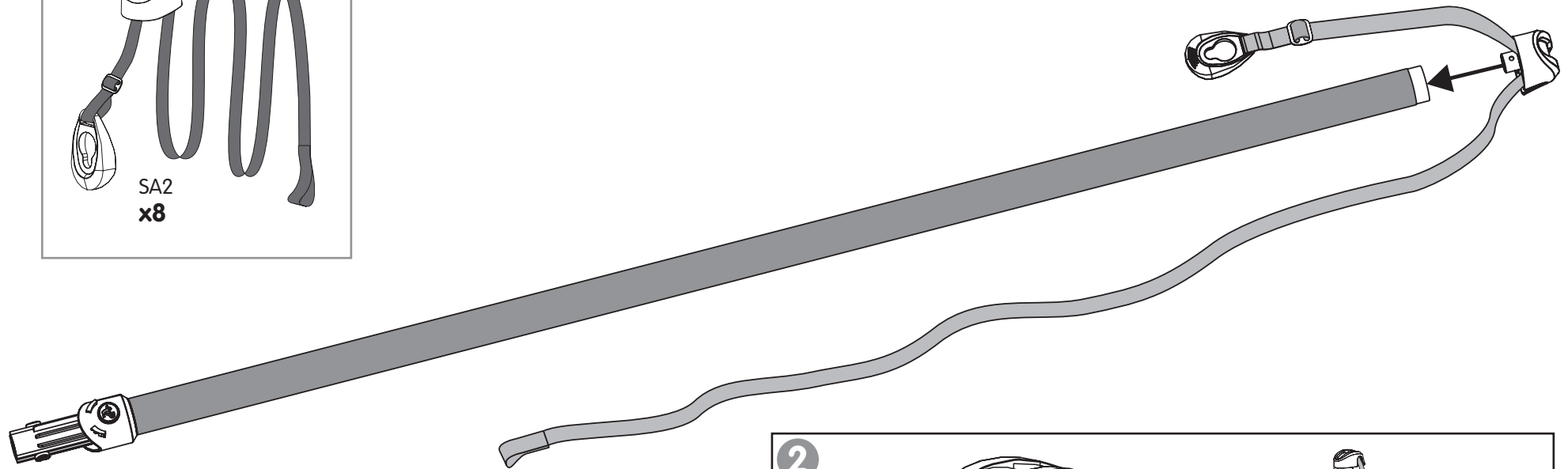


24

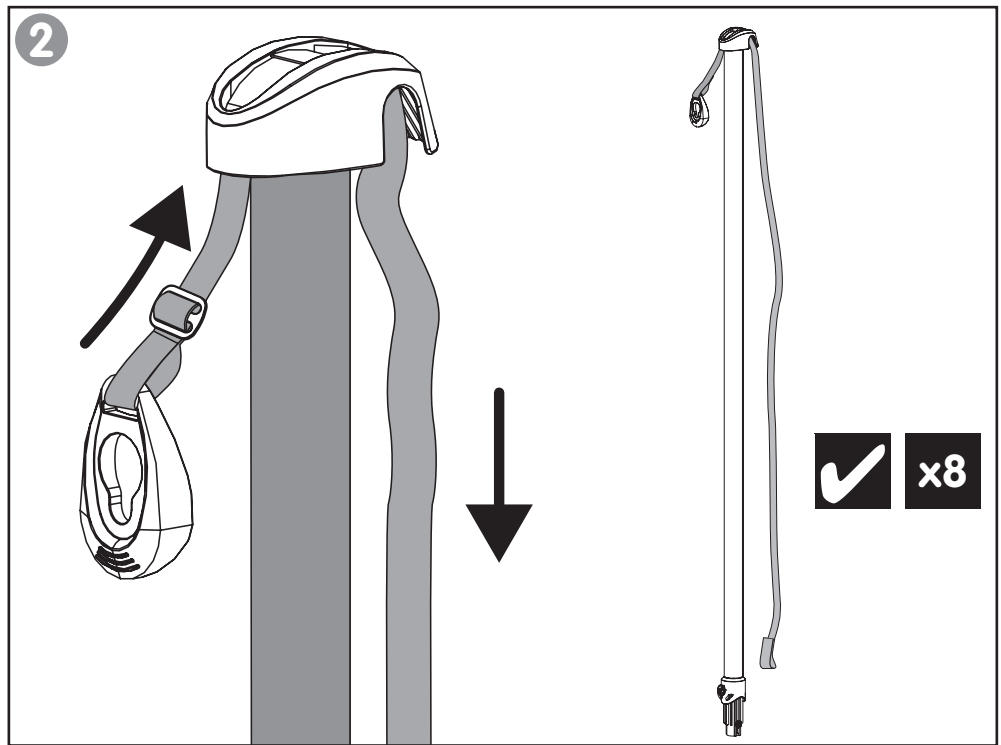
22



SA2
x8



1

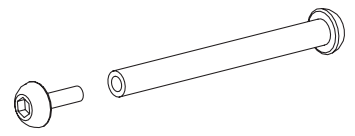


2

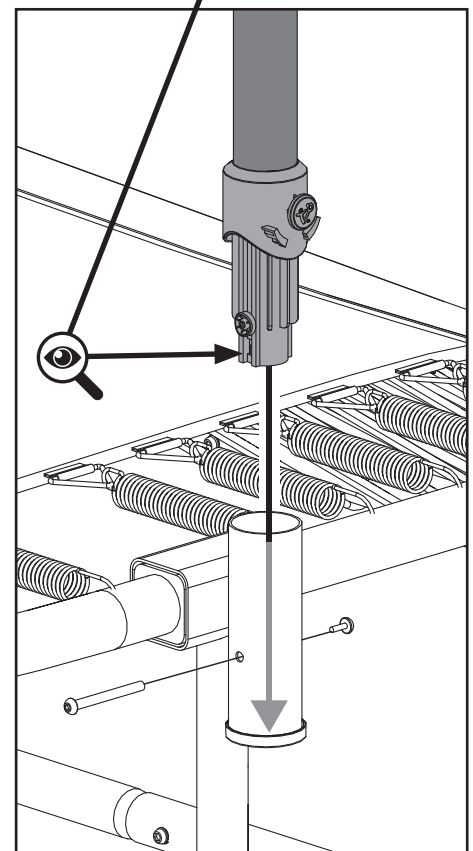
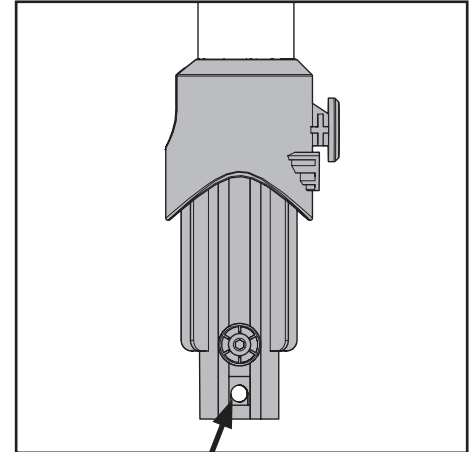
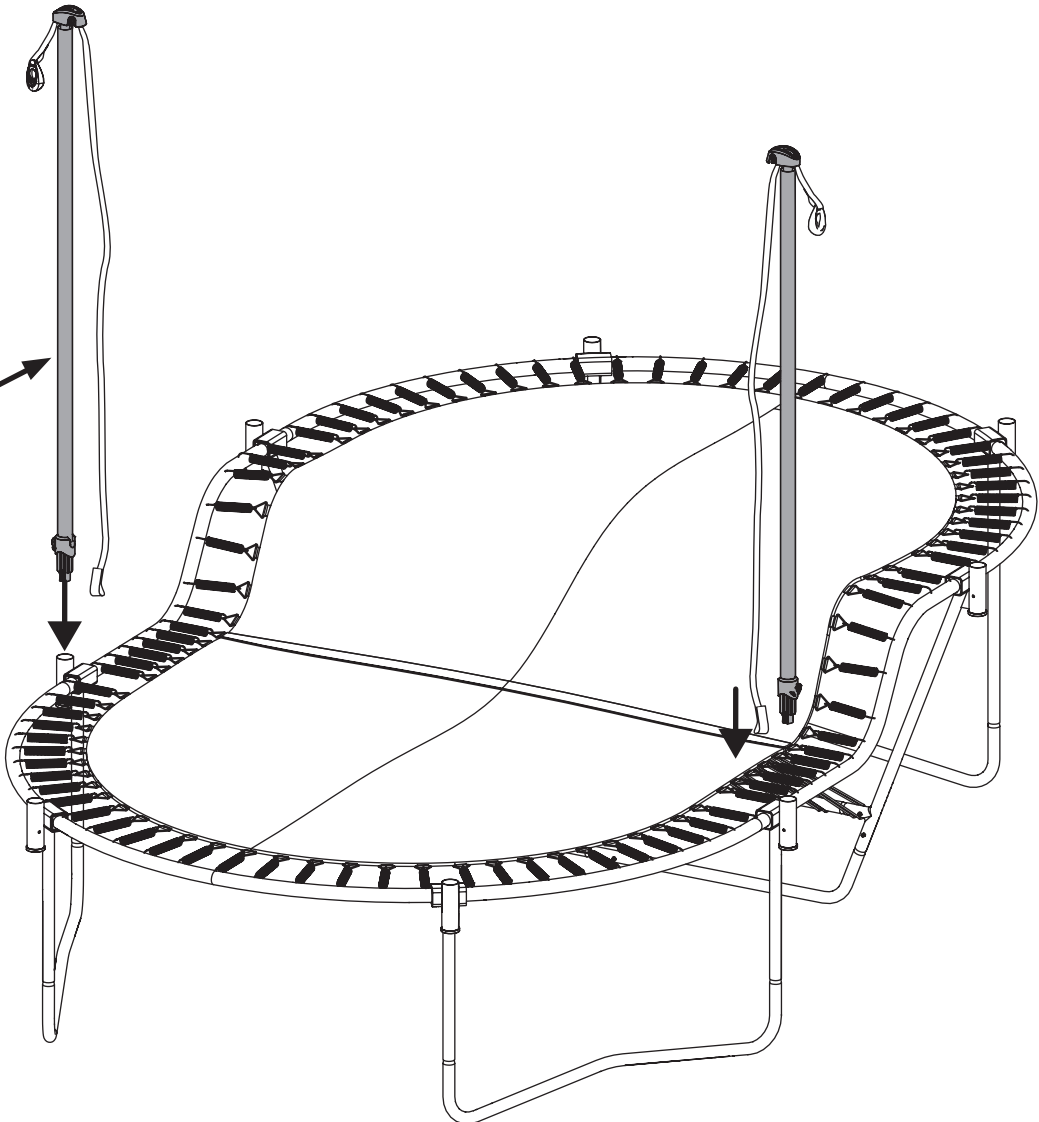
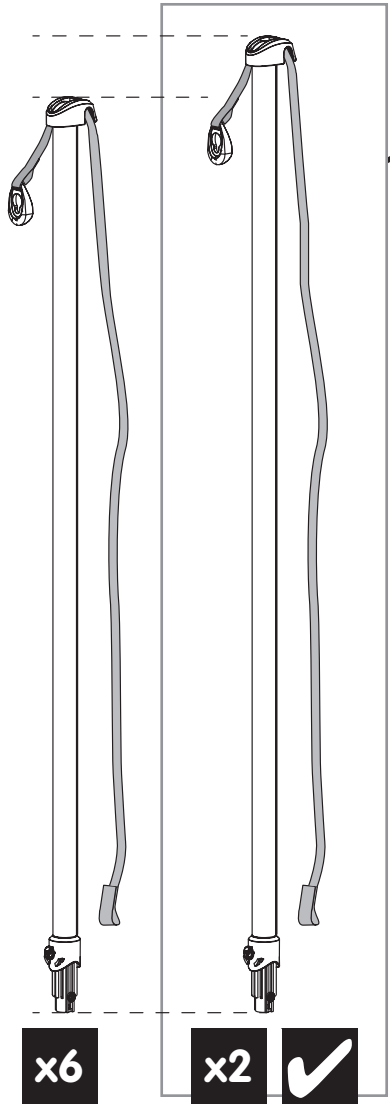
✓ x8

25

23



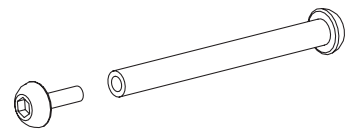
M8 x 60mm
FA2848
x2



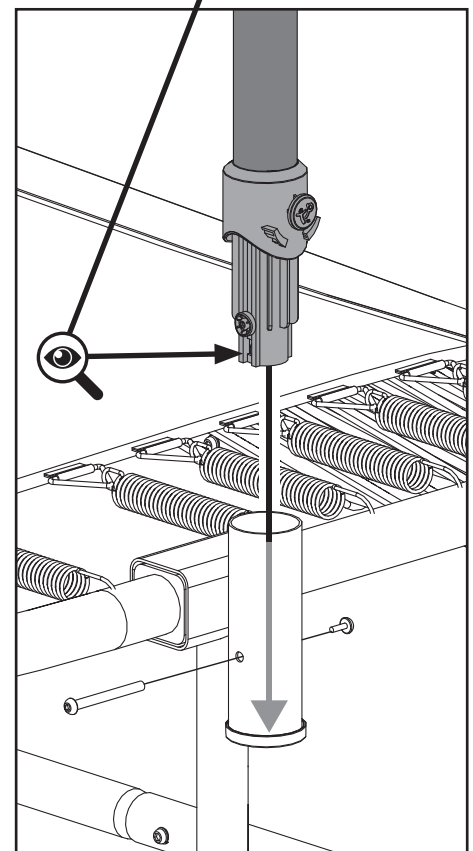
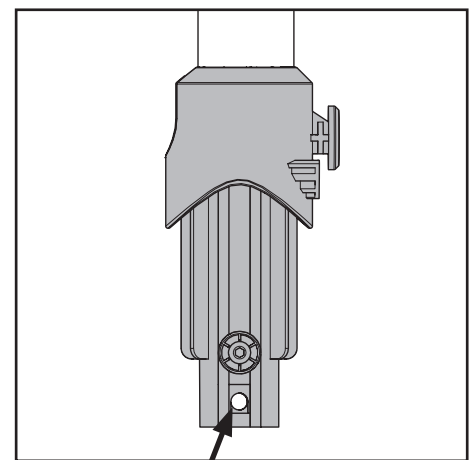
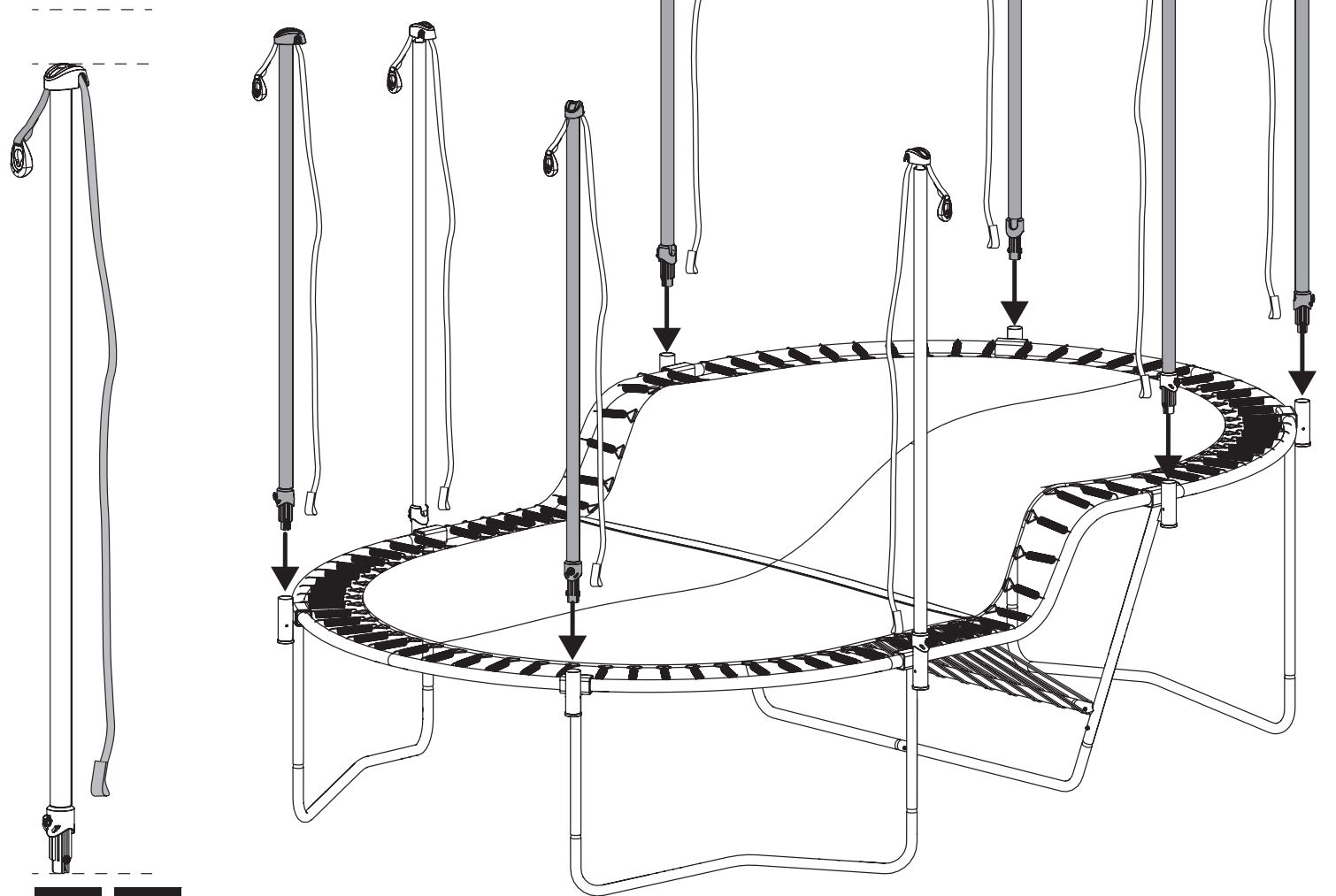
26

TP Infinity Leap Trampoline

24



M8 x 60mm
FA2848
x6

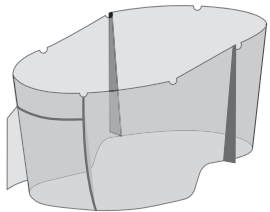


x6 ✓

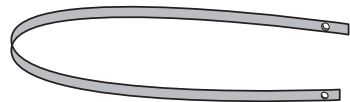
27

TP Infinity Leap Trampoline

25



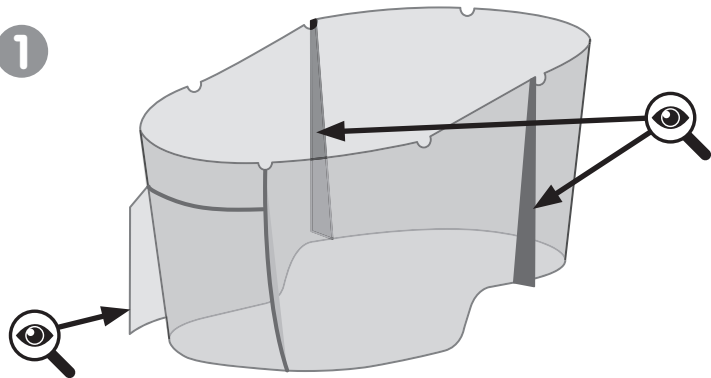
TS3499 x1



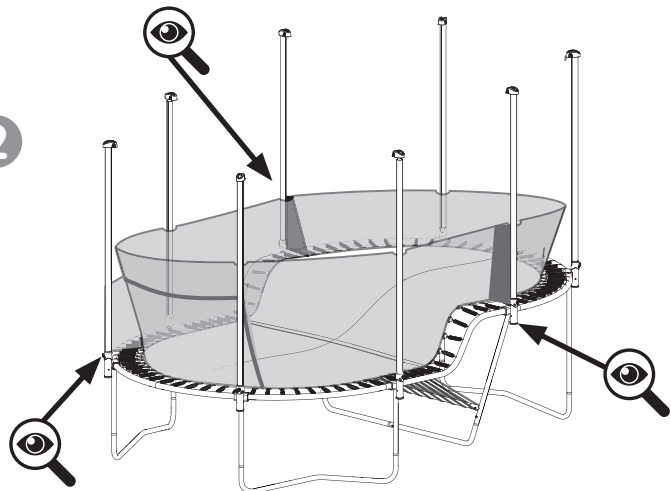
PR5647 143cm x6

PR5649 167cm x2

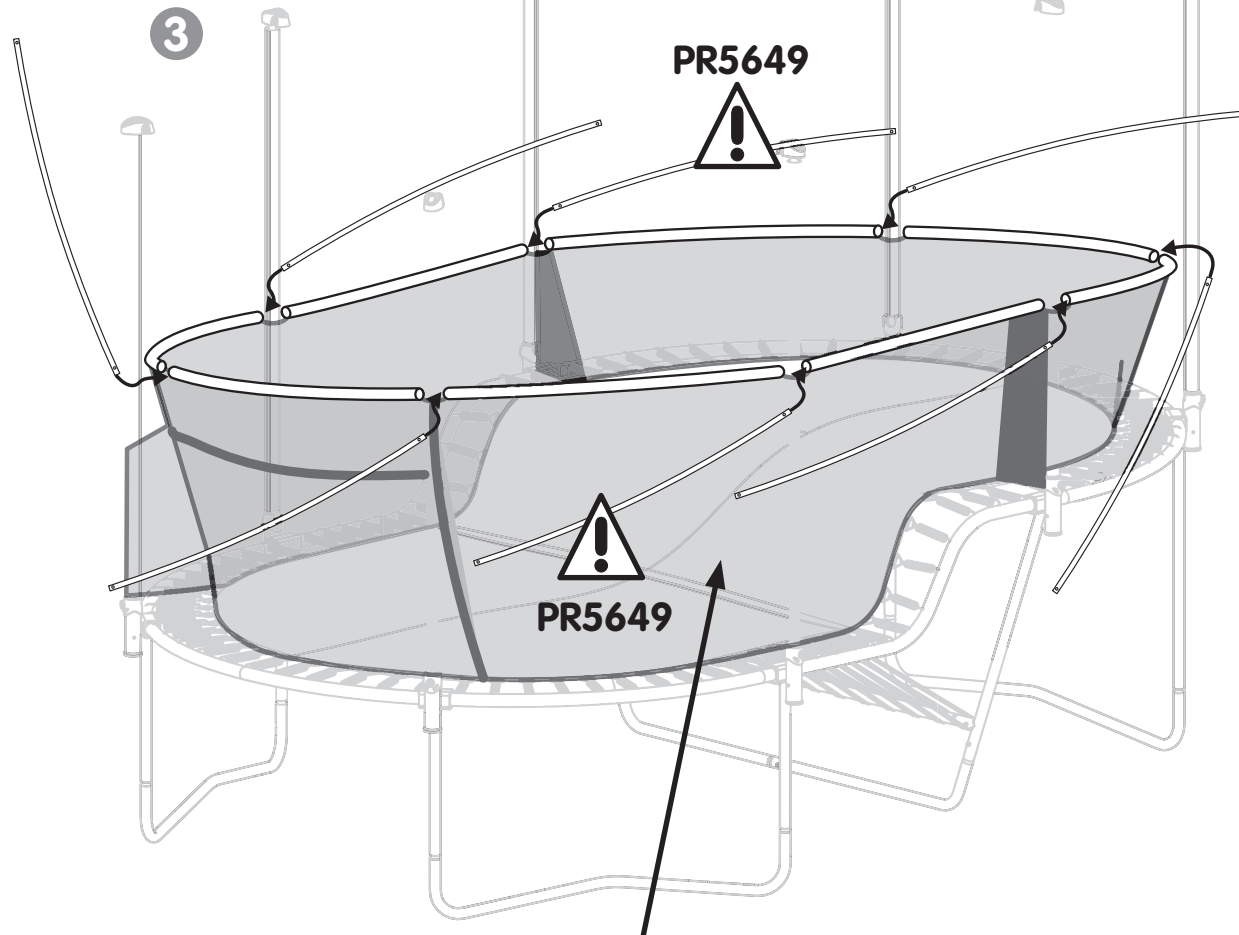
1



2



3



PR5649

PR5649

PR5649

28

TP Infinity Leap Trampoline



PM9953
x1



PM9954
x1



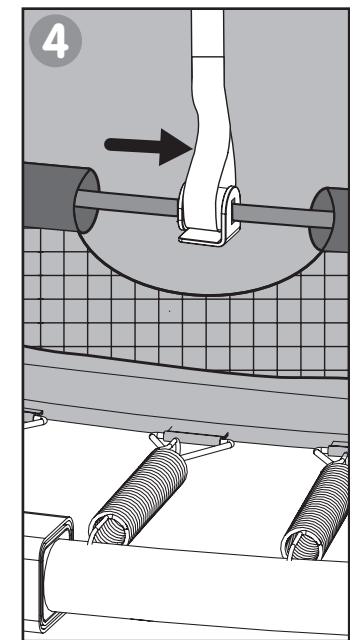
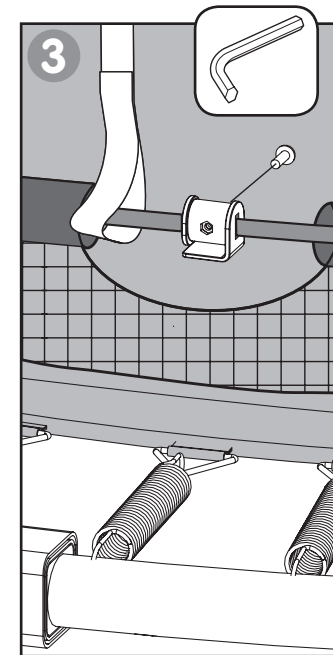
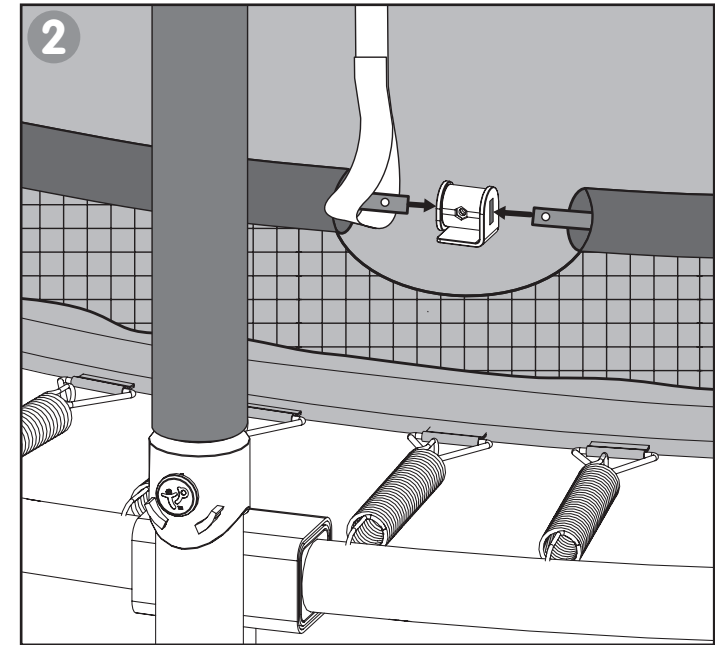
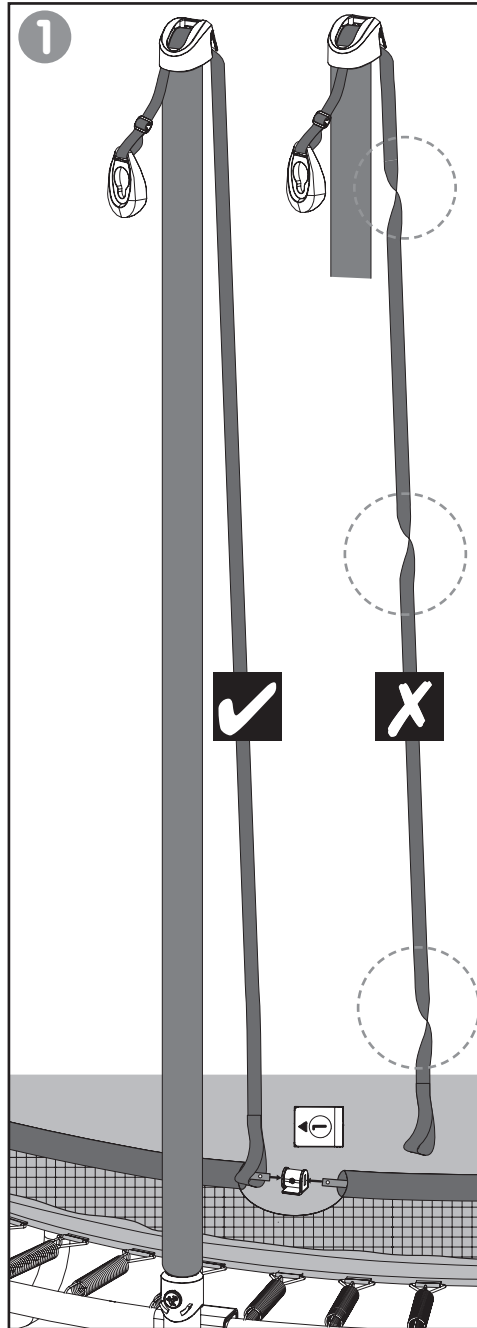
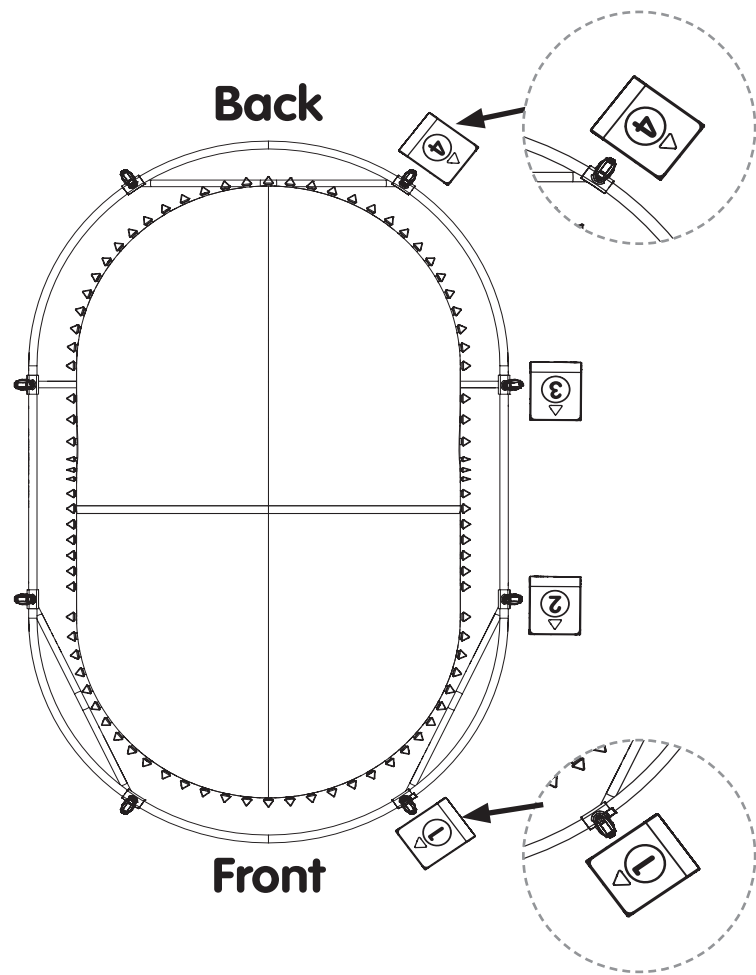
M5 x 18mm
FA28450
x4



PM9955
x1



PM9956
x1



27



PM9953
x1



PM9954
x1



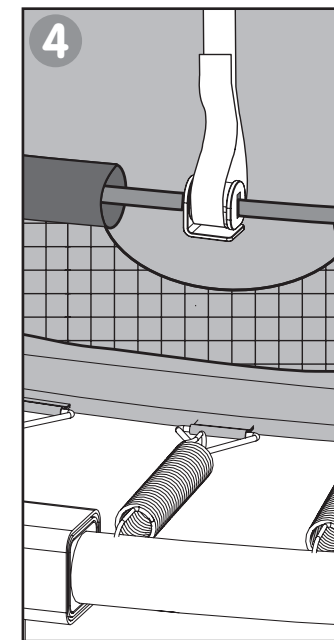
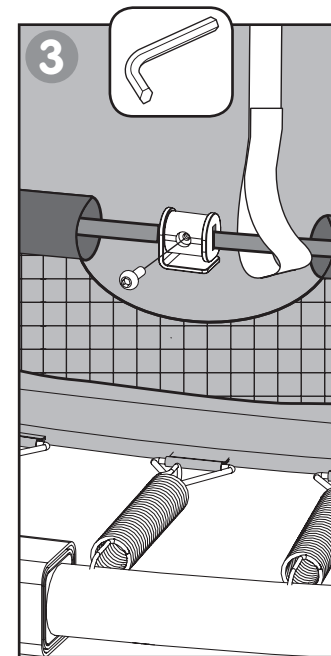
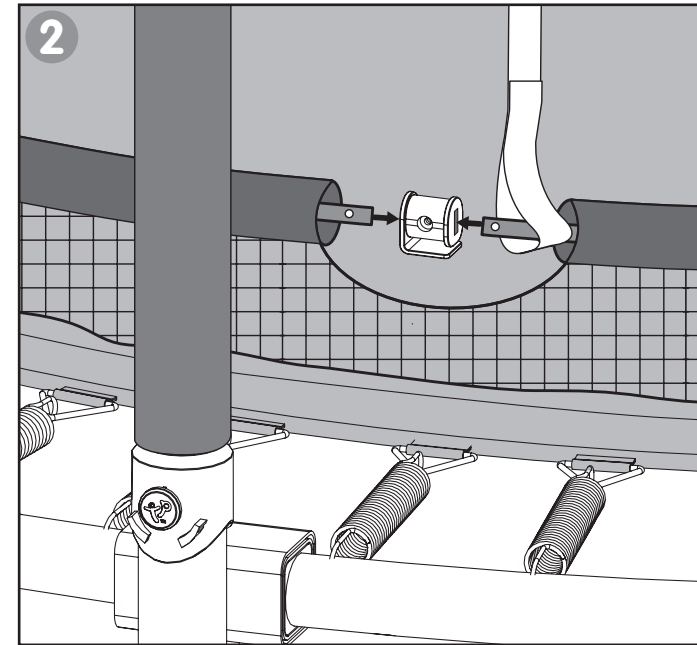
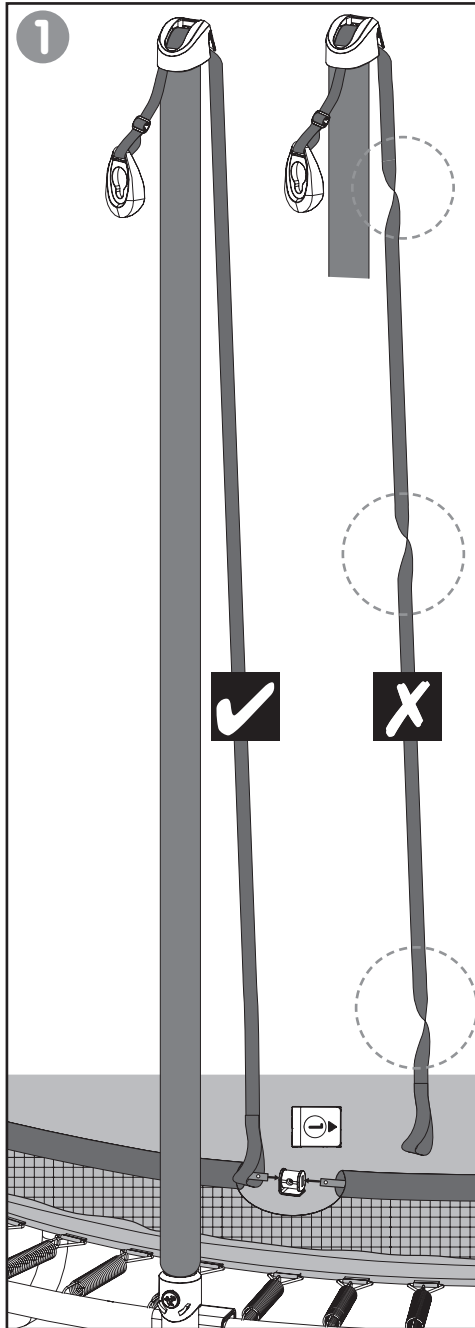
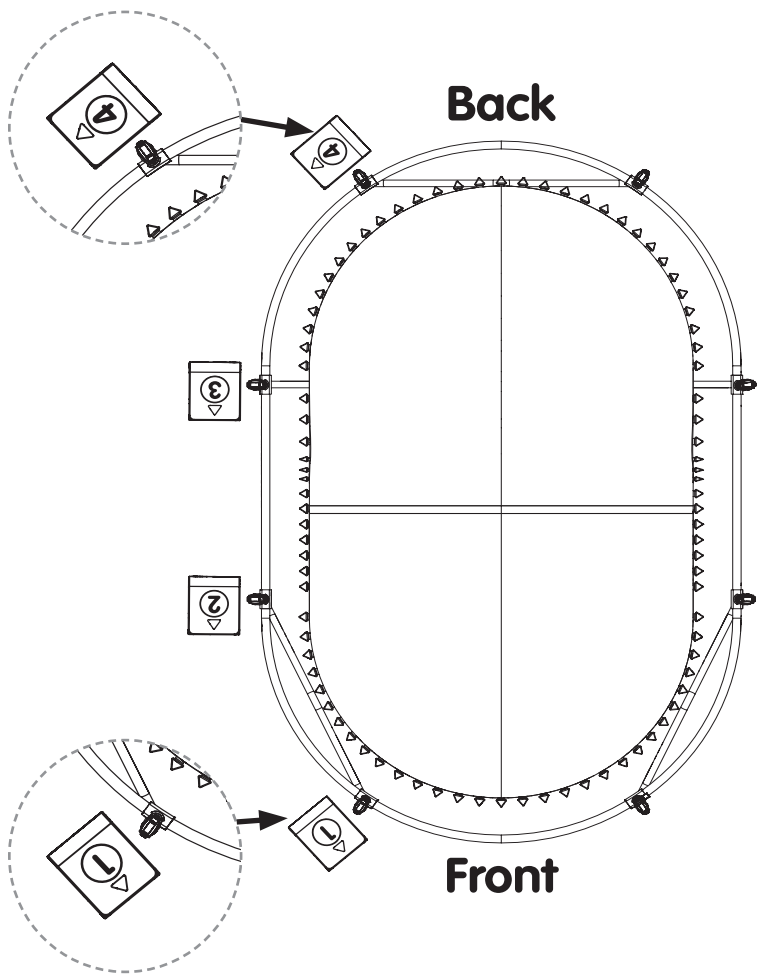
M5 x 18mm
FA28450
x4



PM9955
x1



PM9956
x1



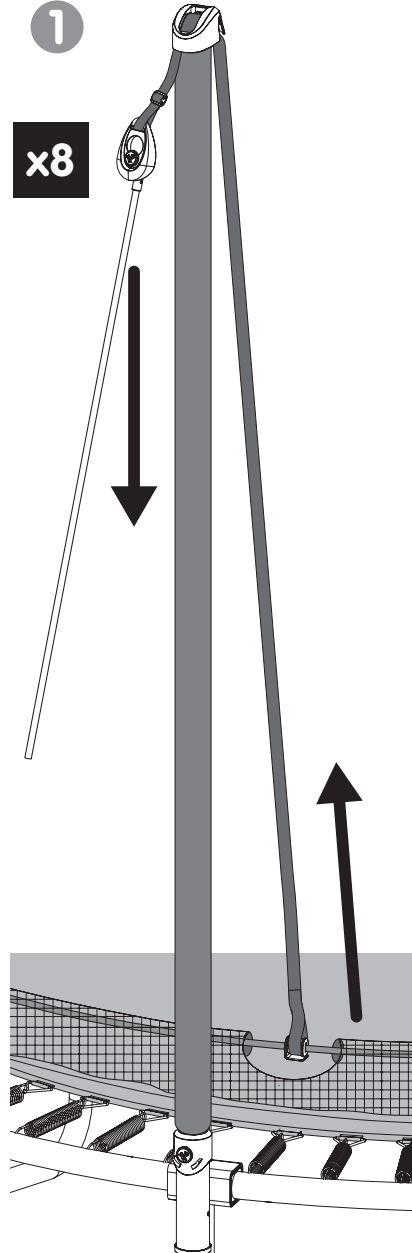
28

SA1 x1

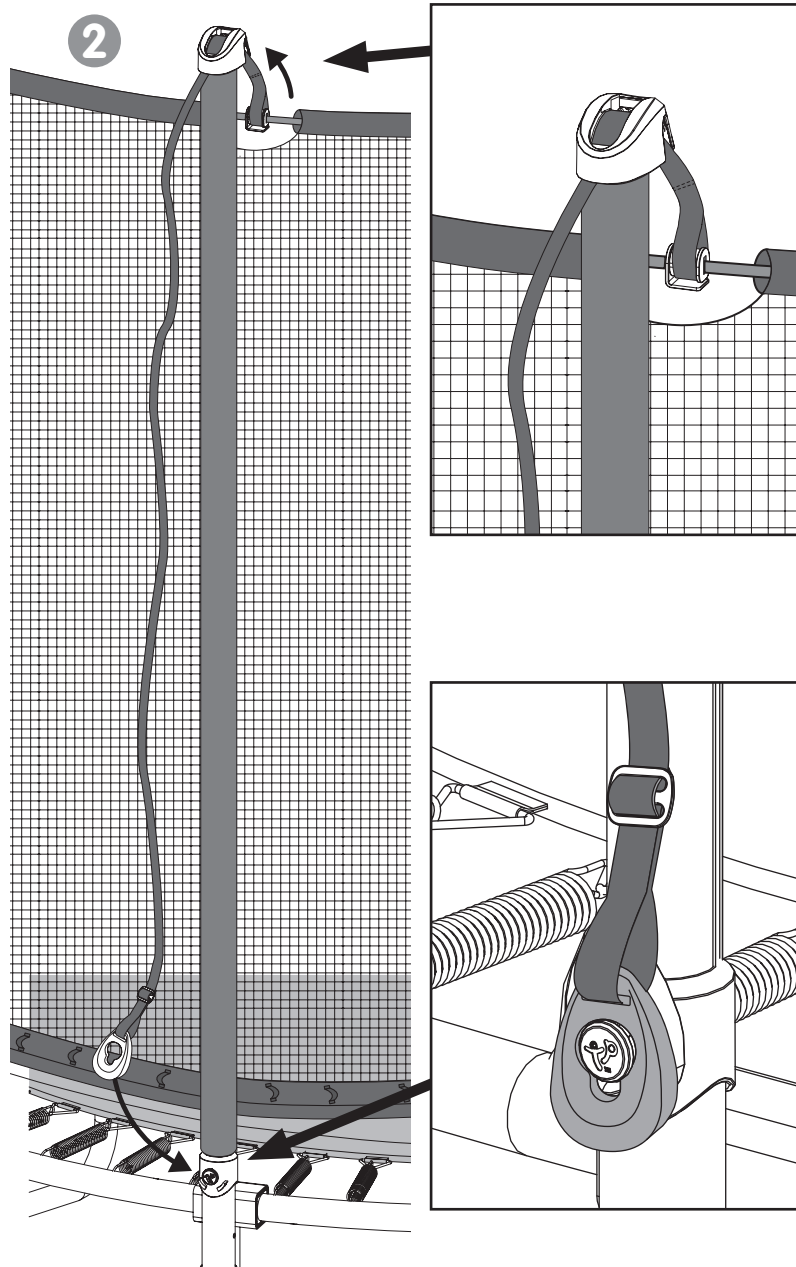


1

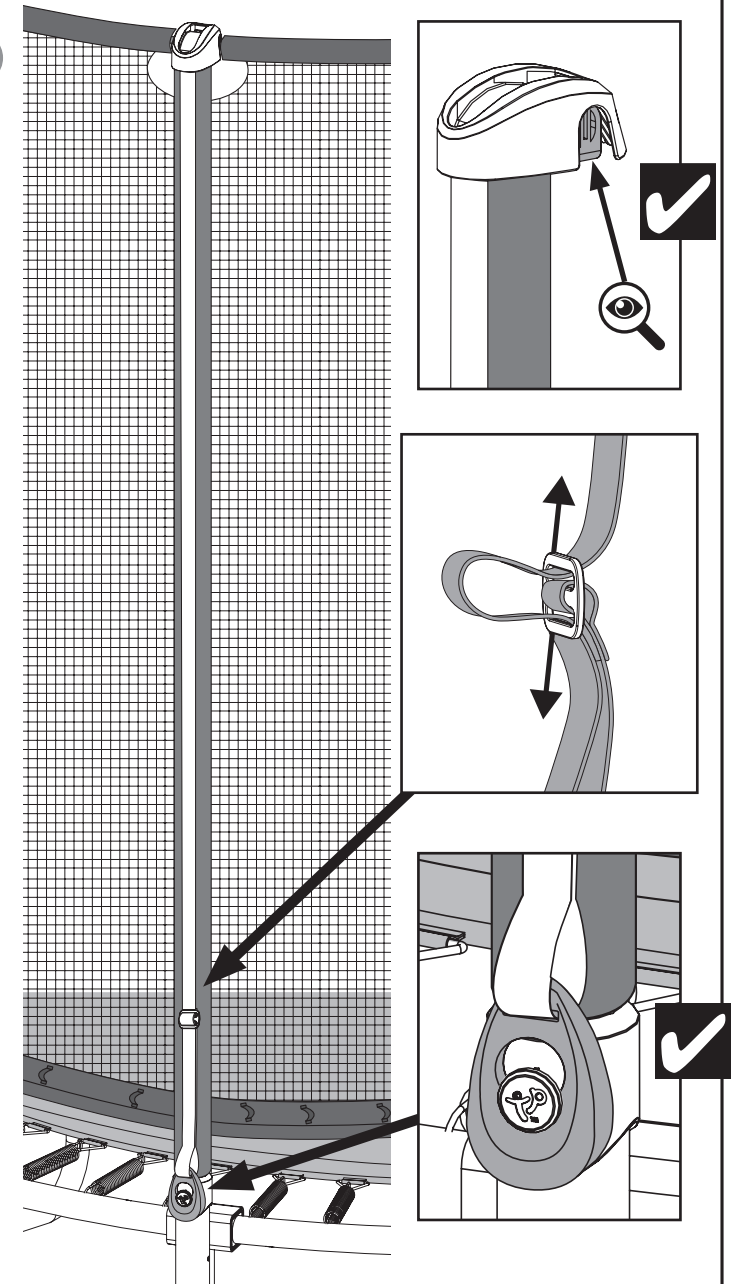
x8



2



3



31

TP Infinity Leap Trampoline

29

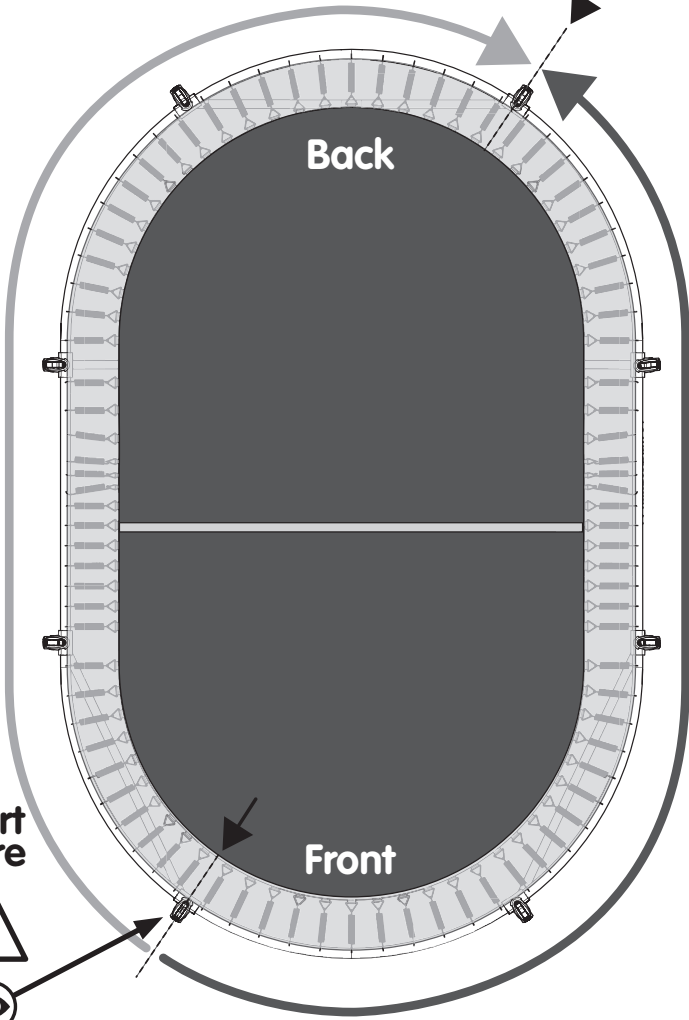


6m MI1122 x2

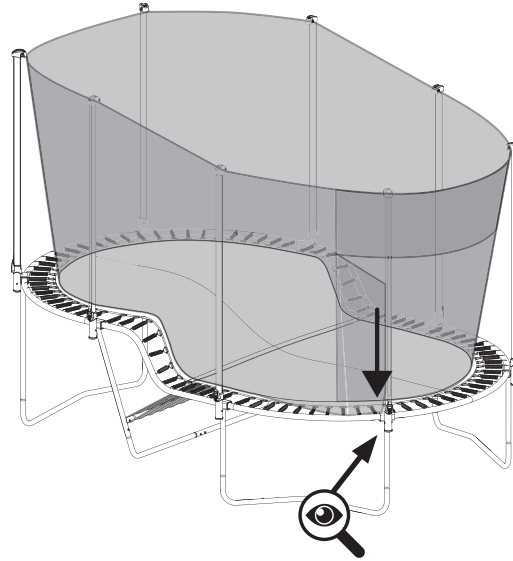


MI1123 x1

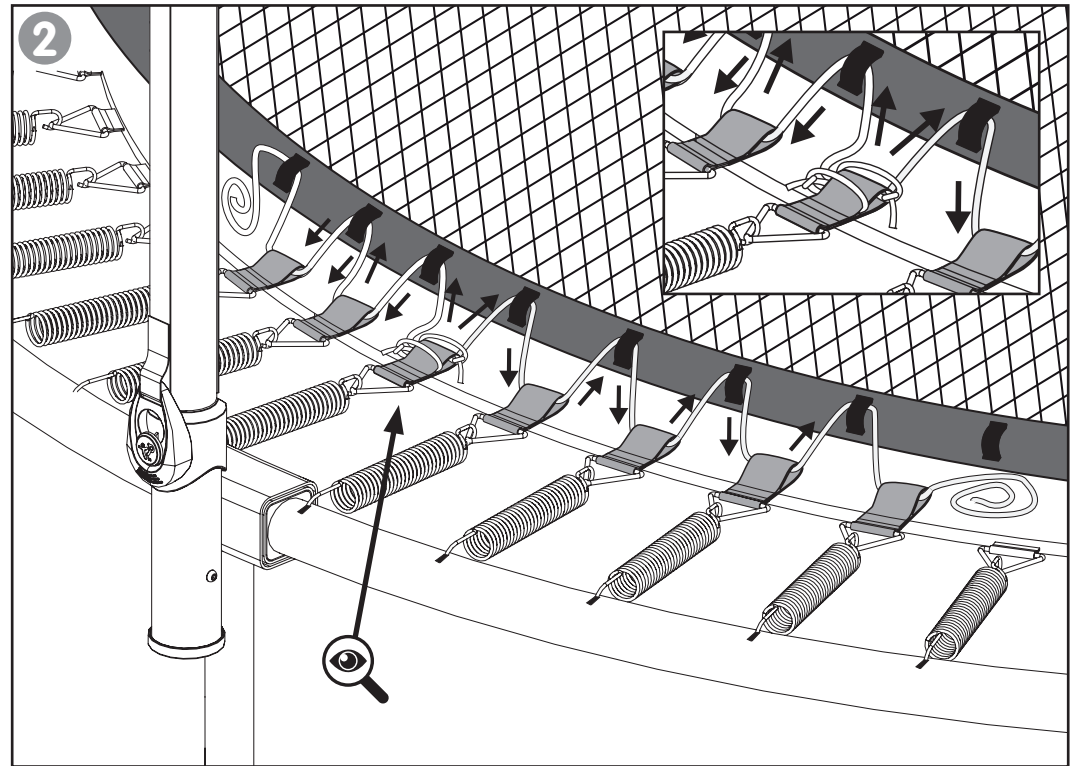
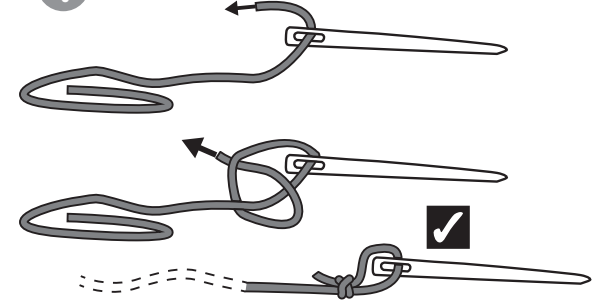
Finish Here



Start Here

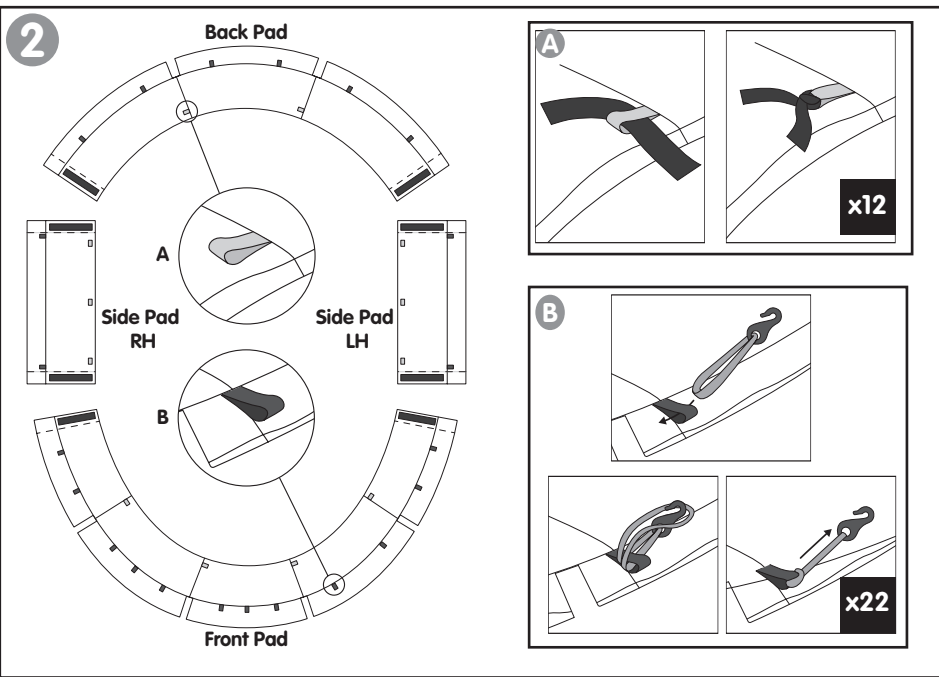
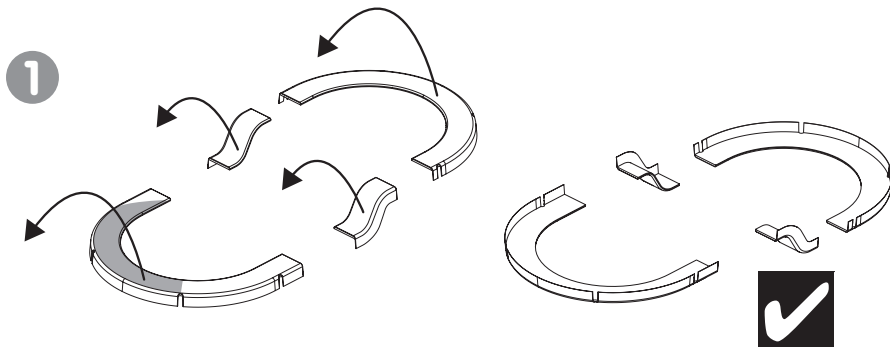
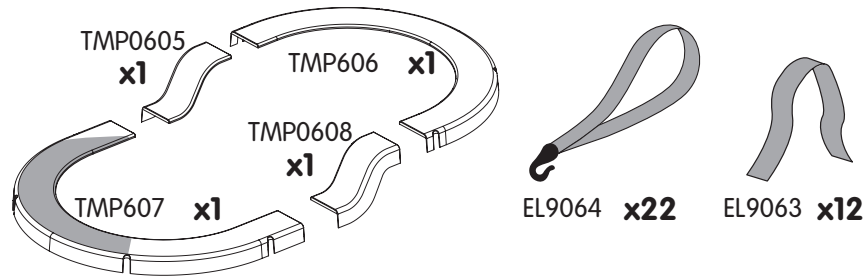


1

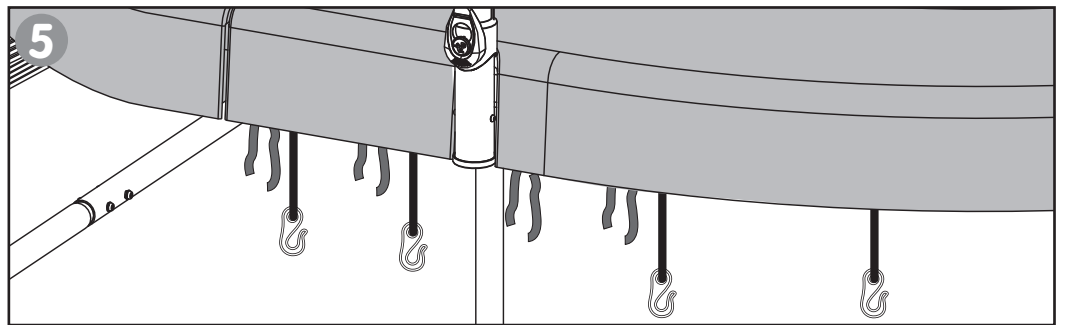
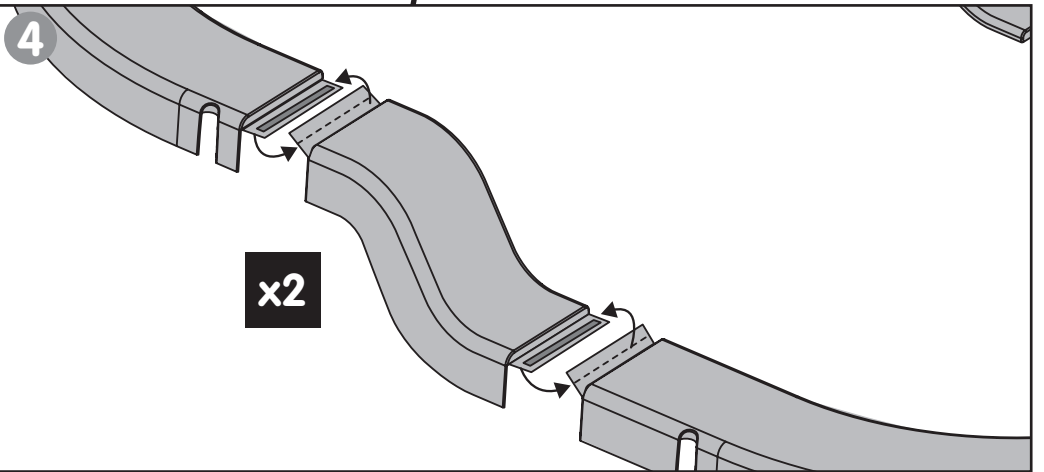
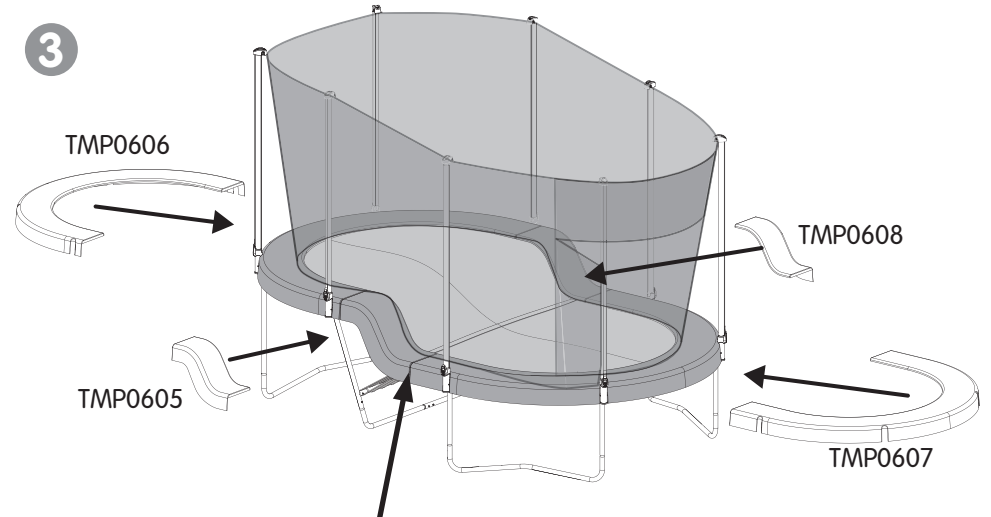


32

30

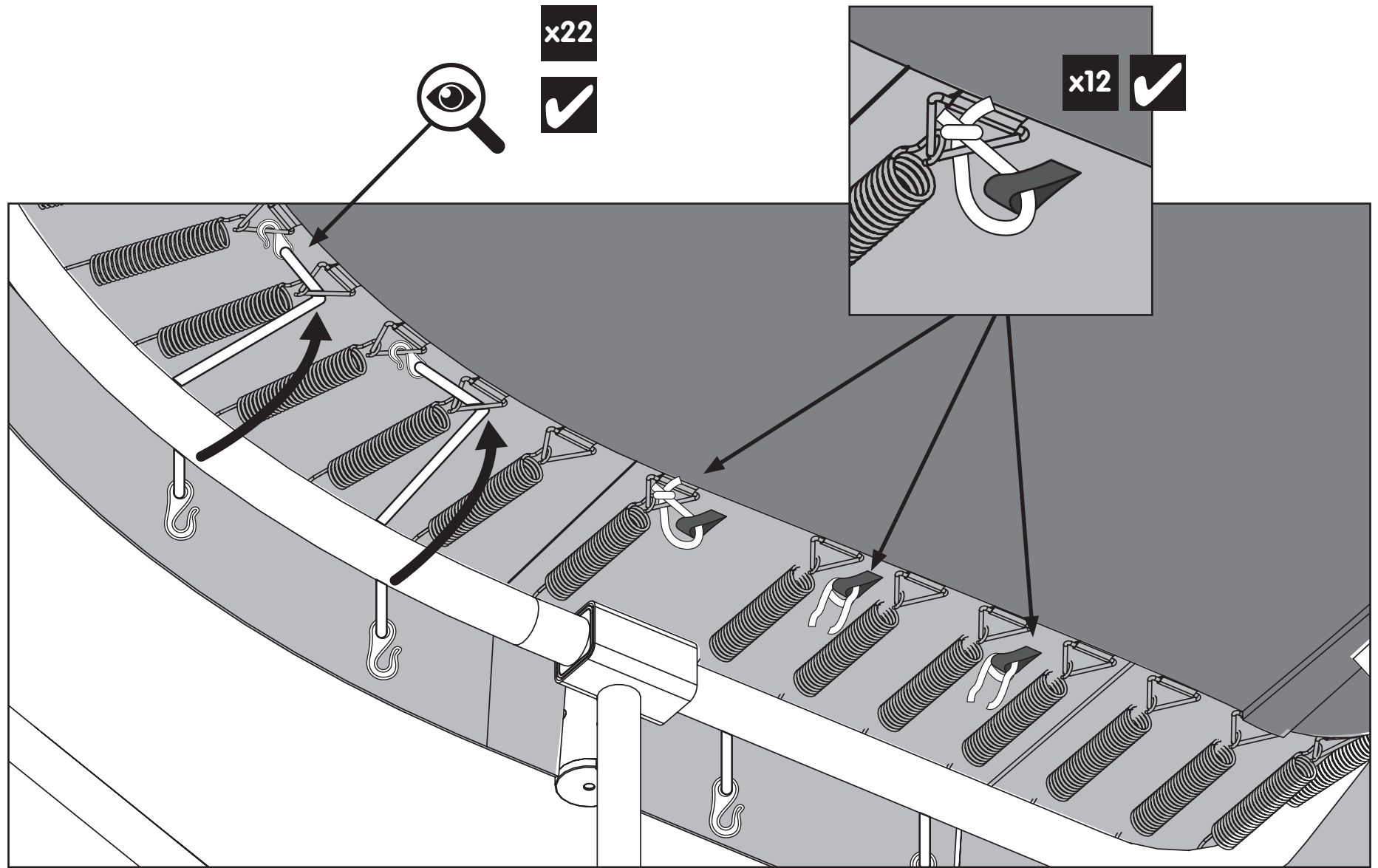


3



33

31



34

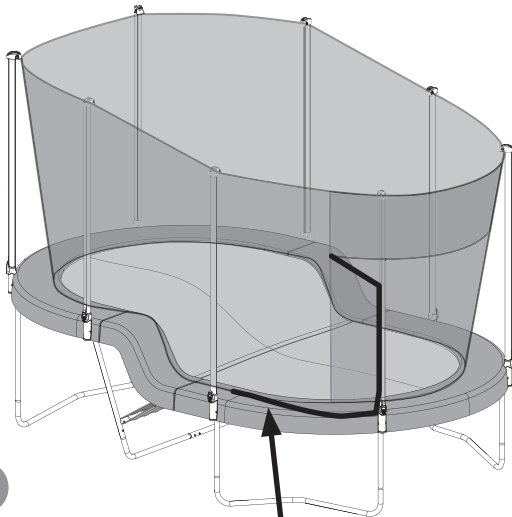
32



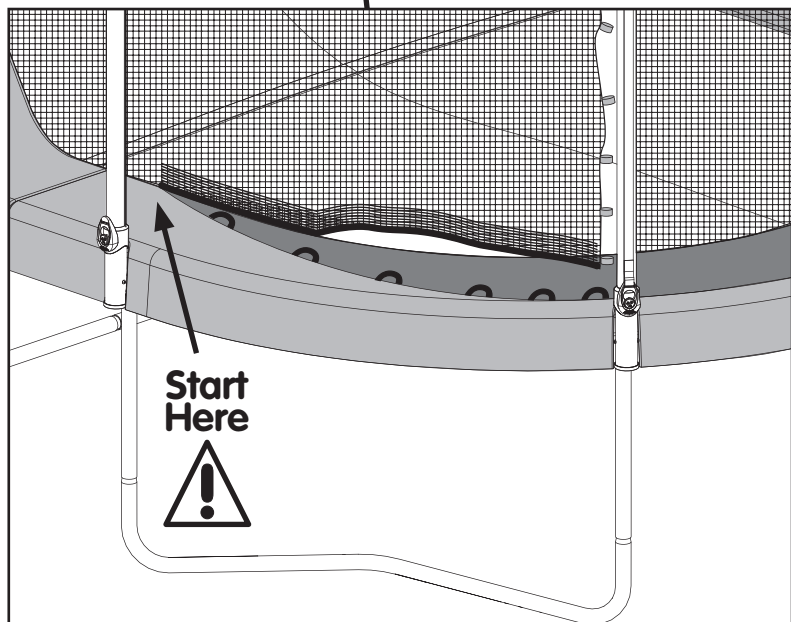
2.05m
EL9065 x1



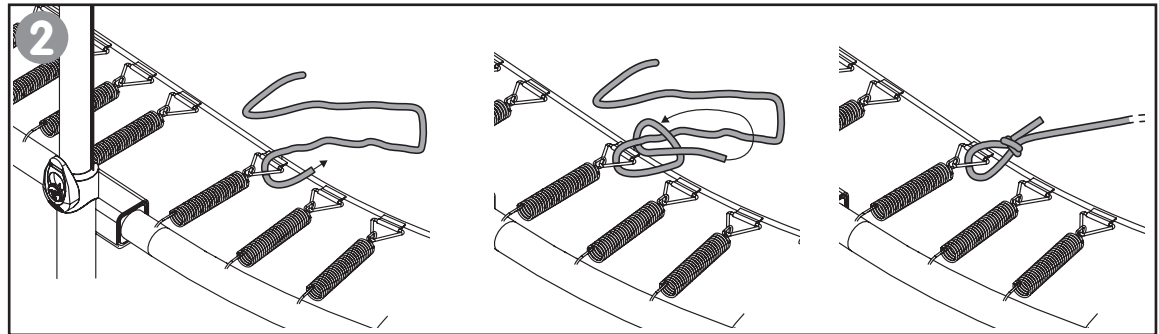
M11123 x1



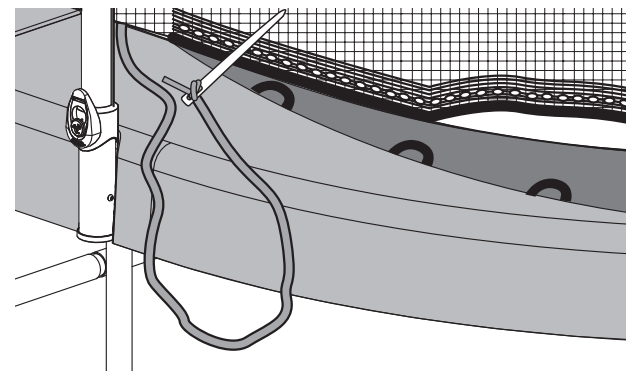
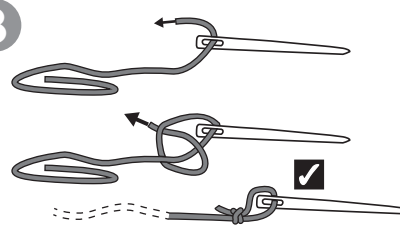
1



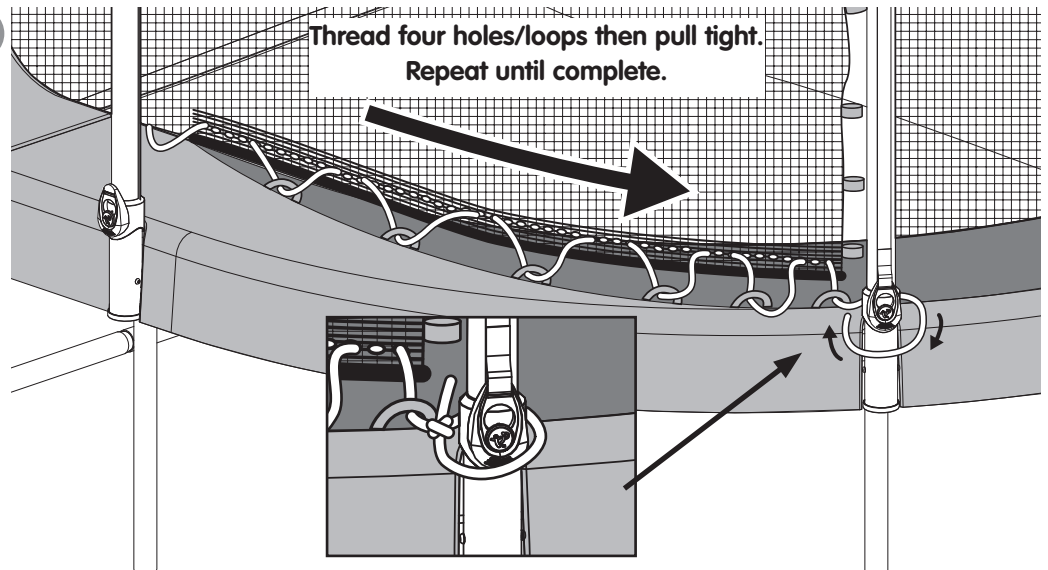
Start Here



3



4



Thread four holes/loops then pull tight.
Repeat until complete.

35

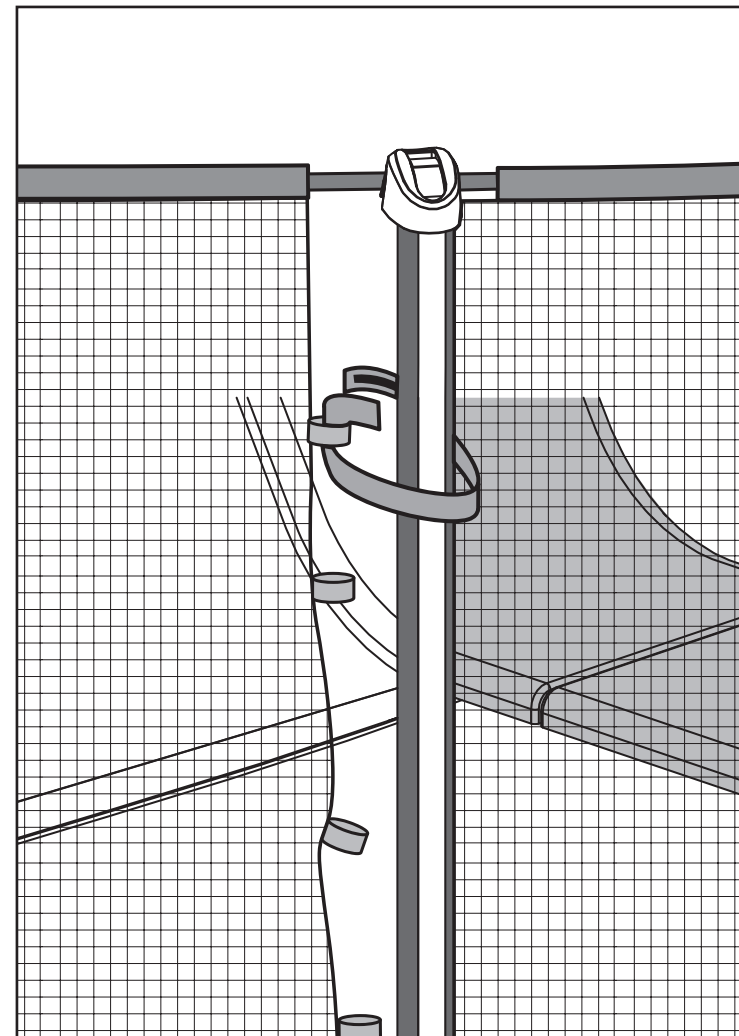
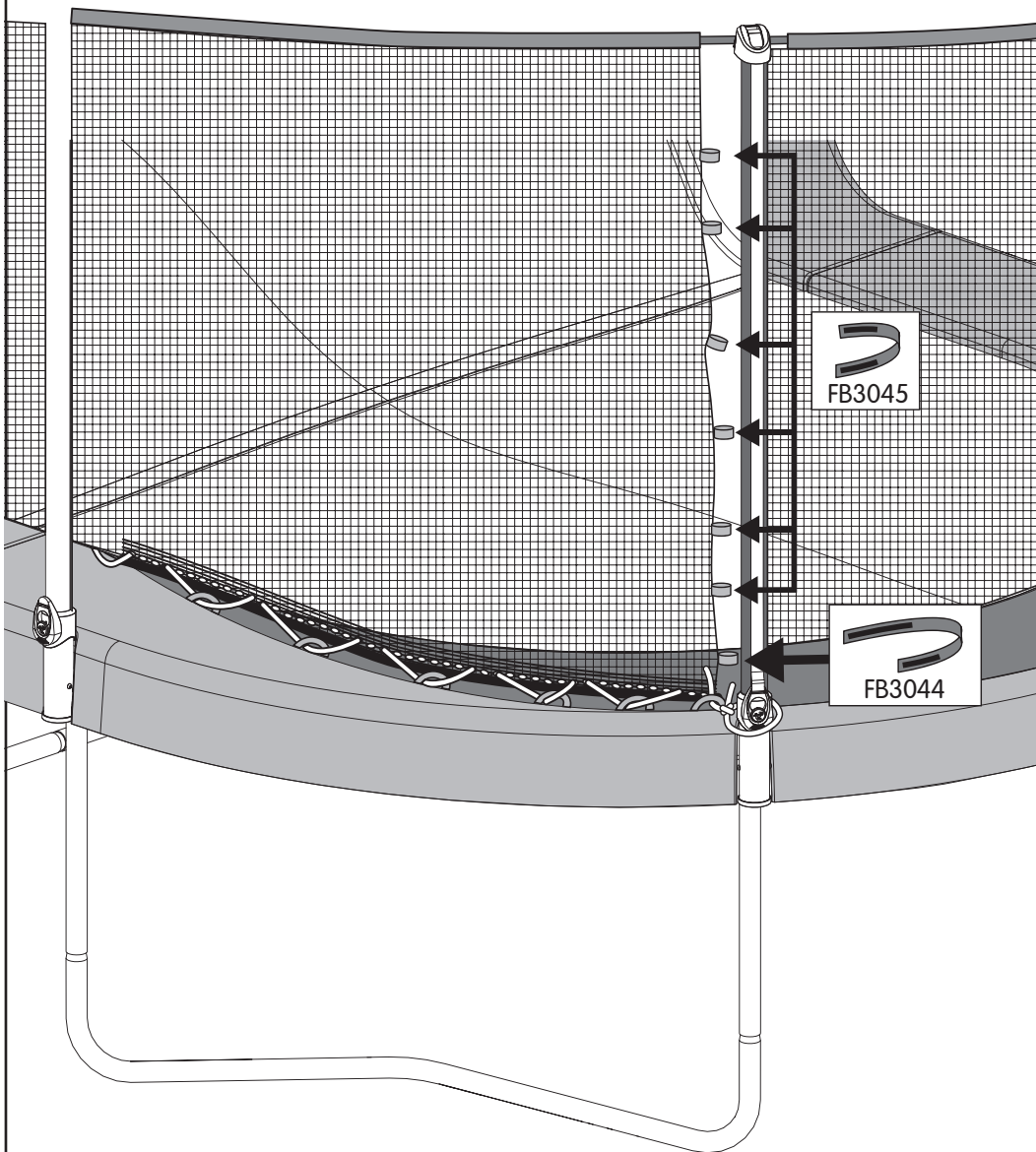
33



220cm
FB3044 x1



150cm
FB3045 x6

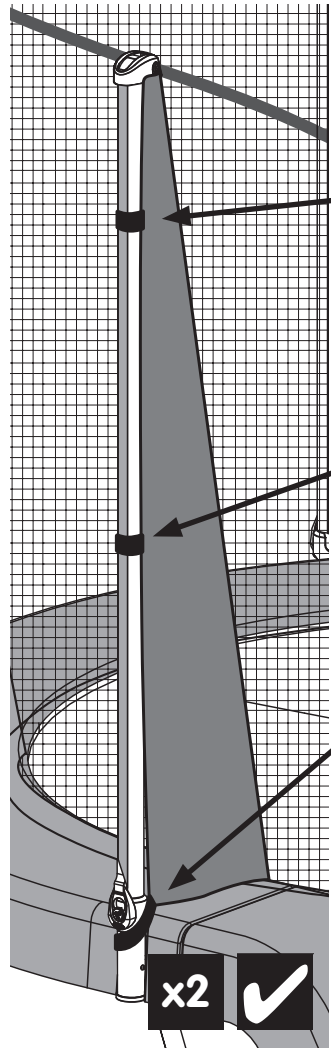


34

220cm
FB3044 x2

150cm
FB3045 x4

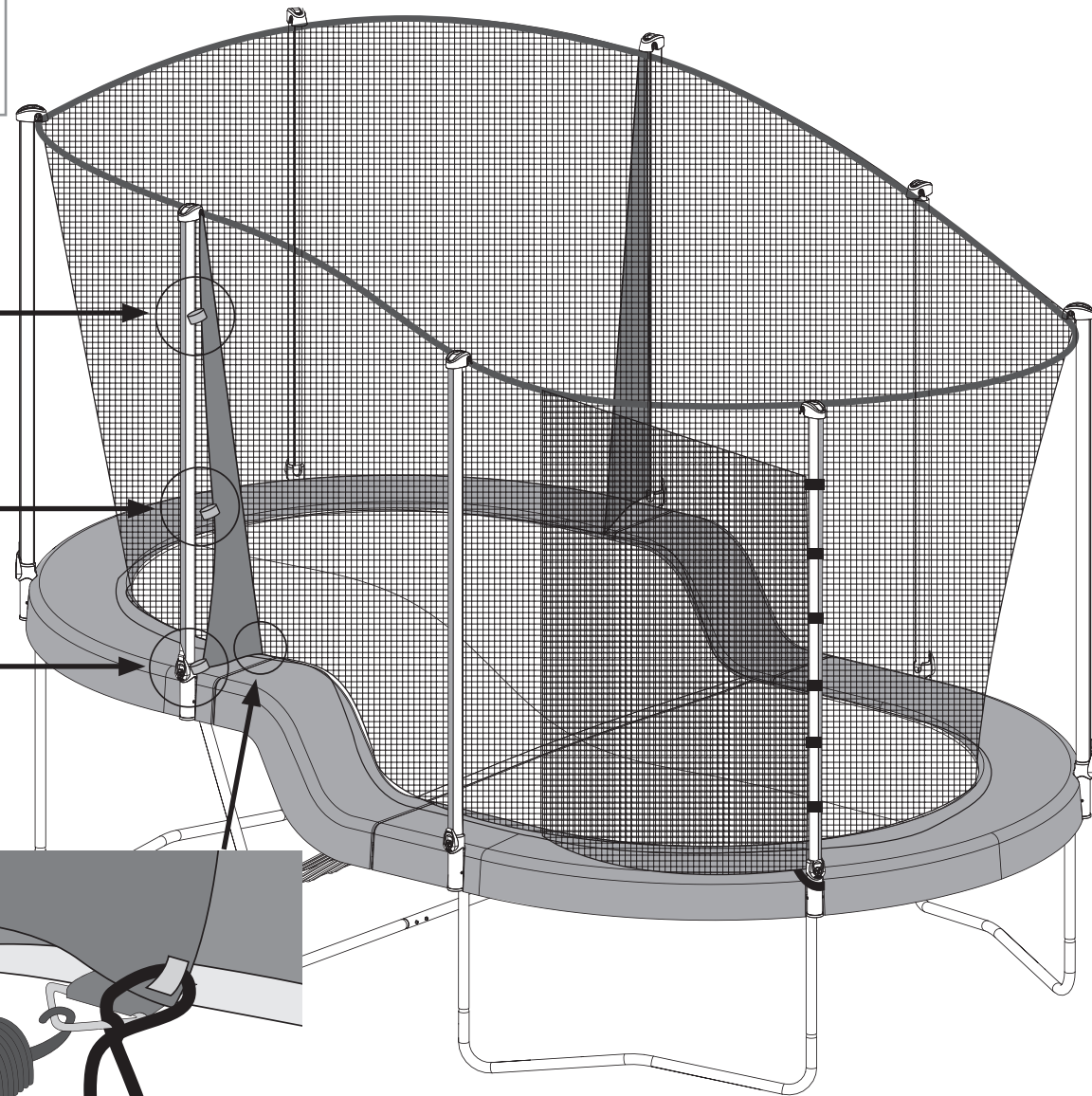
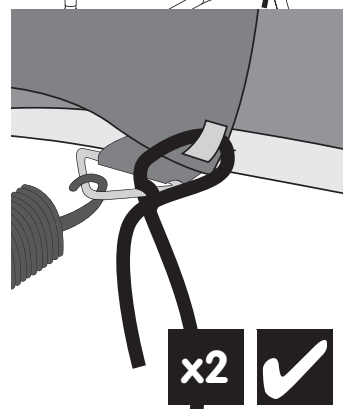
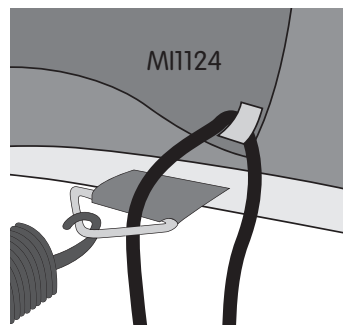
45cm
MI1124 x2



FB3045

FB3045

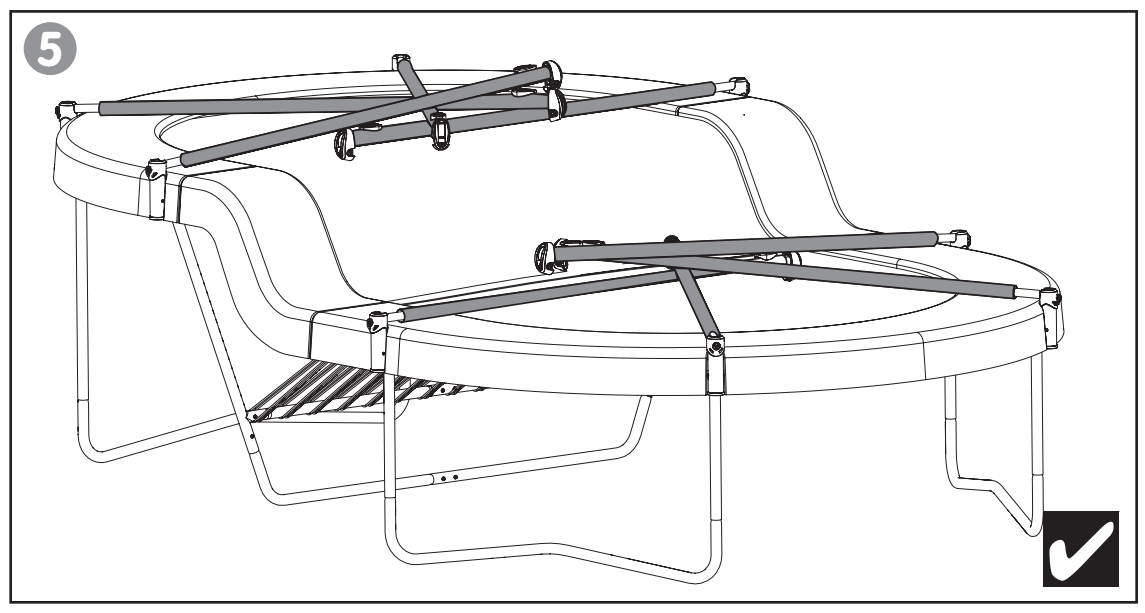
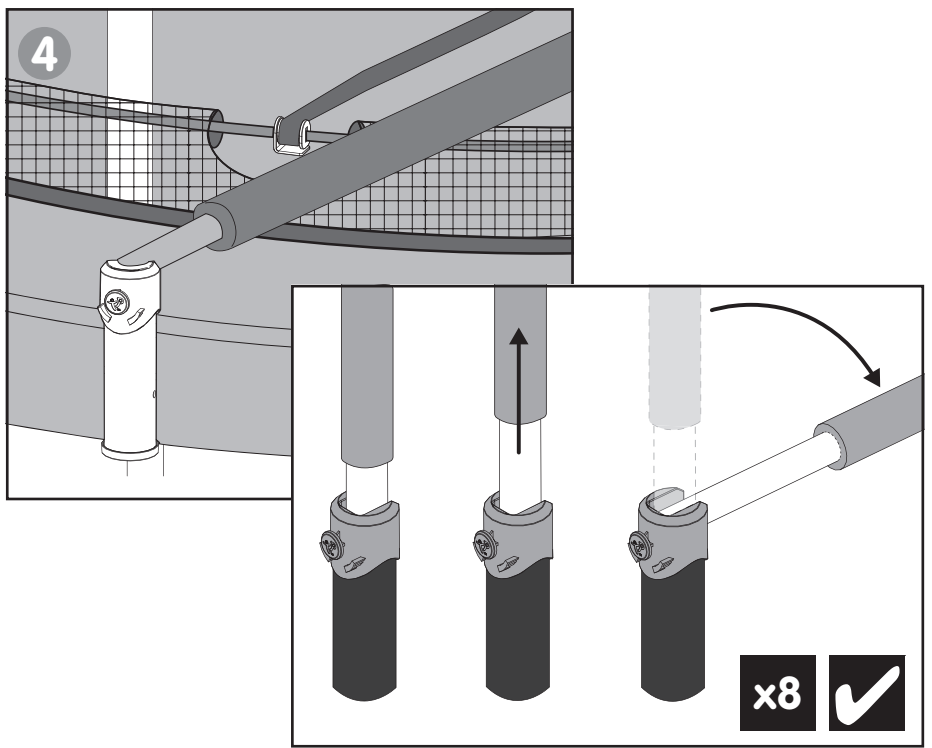
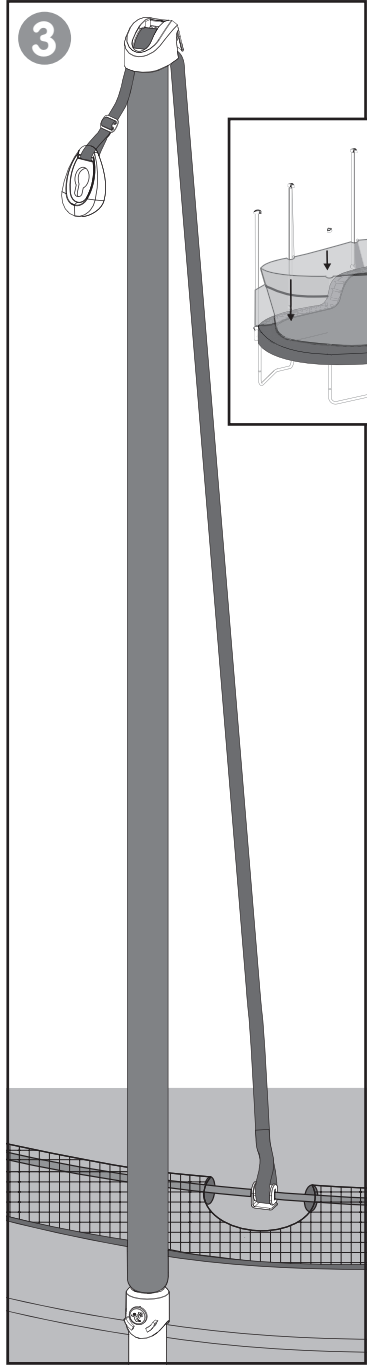
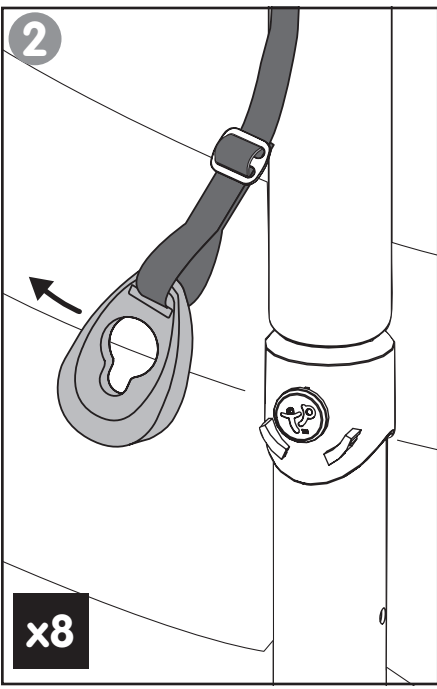
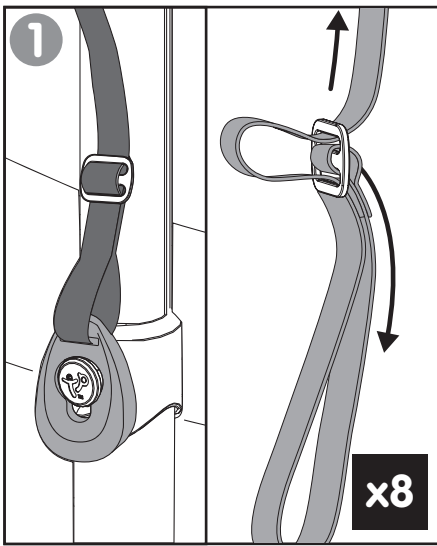
FB3044



37

35

How to take down your YoYo surround



36

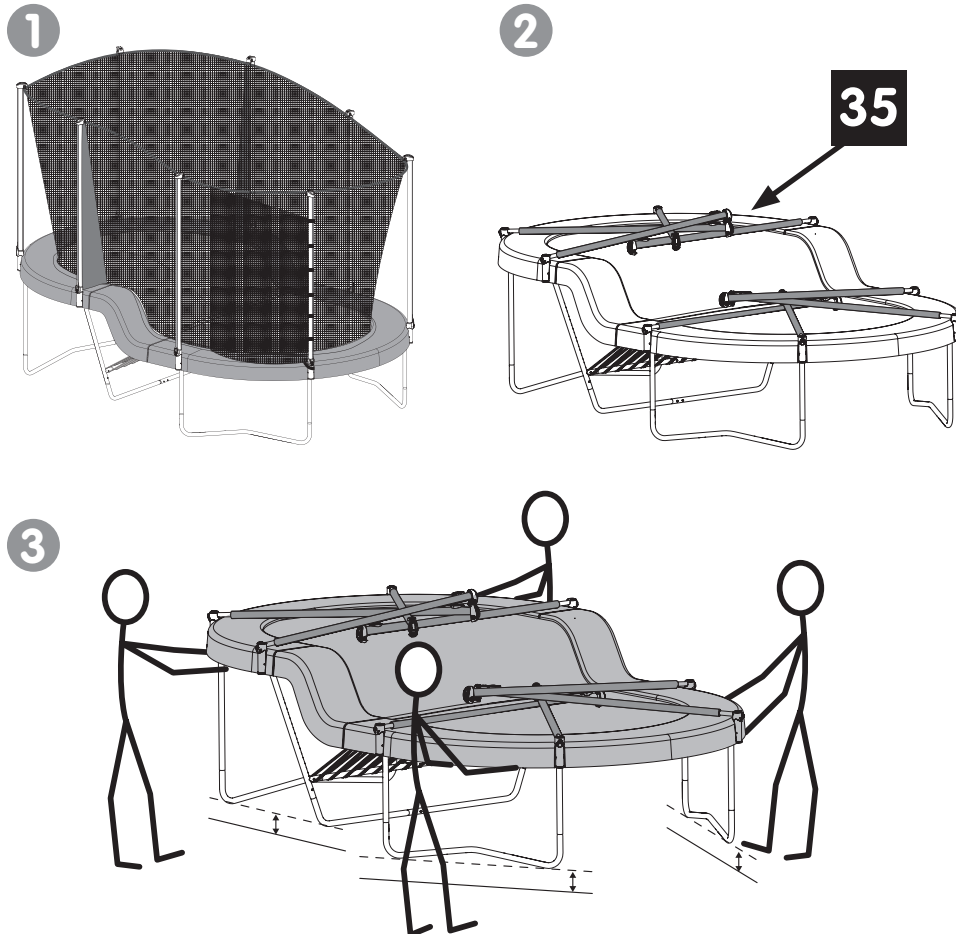
How to move the trampoline

Try to avoid moving the assembled trampoline, because it could bend during transportation. Should it be necessary to move the trampoline, please consider the following:

At least four adults must be evenly spaced around the frame to lift the trampoline off the ground.

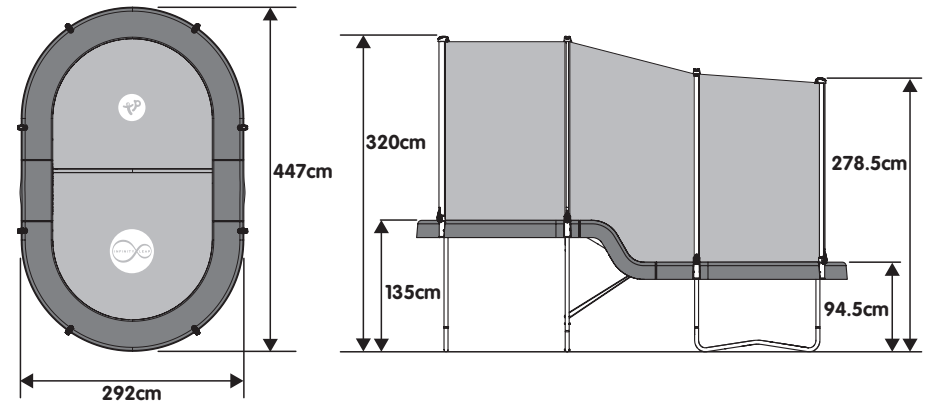
The trampoline must be carried horizontally.

Be careful while moving the trampoline, because the frame could bend. If this happens, use four adults to draw the trampoline into shape.



37

Dimensions



WARRANTY

AUSTRALIAN CONSUMER LAW

Many of our products come with a guarantee or warranty from the manufacturer. In addition, they come with guarantees that cannot be excluded under the Australian Consumer law. You are entitled to a replacement or refund for a major failure and compensation for any other reasonably foreseeable loss or damage.

You are entitled to have the goods repaired or replaced if the goods fail to be of acceptable quality and the failure does not amount to a major failure. Full details of your consumer rights may be found at www.consumerlaw.gov.au

Please visit our website to view our full warranty terms and conditions:

<http://www.lifespankids.com.au/Warranty-Policy-Kids>

Please send all warranty and support inquiries through our ticketing system via the email address: support@lifespankids.com.au.