



10ft/12ft TP GENIUS OCTAGONAL BLUE TRAMPOLINE WITH SURROUND SAFE OWNER'S MANUAL

Instructions for assembly maintenance and use



Warning!

Important! These instructions must be followed for safe assembly and use.
Please retain for future reference.

Maximum single user weights / Age range

10ft TP Genius Octagonal Blue Trampoline - Maximum single user weight 105kg - 6yrs+

12ft TP Genius Octagonal Blue Trampoline - Maximum single user weight 130kg - 6yrs+

TOY MUST BE ASSEMBLED BY AN ADULT BEFORE USE.

CHILDREN MUST NOT USE THE EQUIPMENT UNTIL PROPERLY INSTALLED.

THIS PRODUCT CONTAINS SMALL PARTS AND IS NOT SUITABLE FOR CHILDREN UNDER 36 MONTHS.

REMOVE ALL PACKAGING BEFORE GIVING TO YOUR CHILDREN.

ONLY FOR DOMESTIC USE. FOR OUTDOOR USE. ADULT SUPERVISION IS REQUIRED.

ANCHORS THAT ARE SUPPLIED WITH THIS PRODUCT MUST BE FITTED BEFORE USE.

IMPORTANT, BEFORE YOU BEGIN, READ THIS MANUAL

Thank you for buying this Trampoline. The trampoline is designed and manufactured to provide you and your family with many years of fun and exercise but, for your benefit and safety, please read this manual carefully and in full before assembling and using your trampoline. Then, please retain this manual for future reference.



! WARNING !

Do not land on head or neck. Paralysis or death can result even if you land in the middle of the trampoline mat (bed).



Do not land on knees.

To reduce the chance of landing on your head or neck, do not do somersaults (flips).



Only one person at a time on the trampoline.

Multiple jumpers increase the chances of loss of control, collision, and falling off.

This can result in serious injuries.



Warning!

- Only one user. Collision hazard
- Adult supervision of children - Children should always be supervised while they are playing on the trampoline fitted with a Bounce Surround
- All users should not use the trampoline in an inappropriate or hazardous manner
- Always close the net opening before practice
- Practice without shoes
- Do not use the mat when it is wet
- Empty pockets and hands before practice
- Always jump in the middle of the mat
- Do not exit the mat by a jump
- Do not eat while jumping
- Limit the time of continuous usage (make regular stops)
- Regular maintenance is required.
Neglecting regular maintenance can lead to a risk for users
- Check all nuts and bolts for tightness and tighten when required
- Check that all spring-loaded (pit pin) joints are still intact and cannot become dislodged during play
- Check all surfaces for sharp edges and replace when required
- Keep away from fire
- Retain the maintenance instruction manual

YOUR NEW TRAMPOLINE - IMPORTANT PLEASE READ

ASSEMBLY INFORMATION

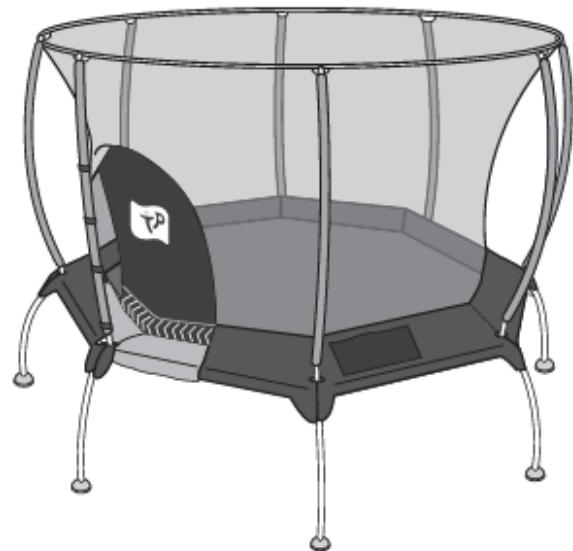
Trampolines must be assembled by an adult. They must be erected exactly in accordance with the assembly instructions, which follow. Enlisting the aid of a helper will make assembly easier. This trampoline does not require any additional tools to assemble. Please take an inventory of all parts before assembly and ensure that all parts listed are included. Also please take care during assembly as the manufacturing process can sometimes result in the occasional sharp edge and small pieces of waste metalwork. The use of gloves to protect your hands from pinch points during assembly is also recommended. Should there be any missing parts, the toy must not be used until replacement parts have been fitted. Spares: Email: directsales@tptoys.com

SITING

The trampoline must always be used in a well lit area. Under no circumstances should it be positioned on a hard surface such as concrete or asphalt, unless the ground under the trampoline plus the recommended freespace area is covered with a safety surface (please refer to diagram on page 17). Examples of suitable surfaces are grass, sand or a play surface intended for this use. The trampoline must be placed on a level surface. A minimum of 2.5 metres of overhead clearance is required for this product. Adequate horizontal clearance must be maintained from objects and possible hazards including electric power wiring, tree limbs and fencing. Keep away from fire.

ATTENTION - HIGH WINDS

Ground stakes are the ideal way to stop your trampoline frame moving while in use. However they will not protect against wind damage. Due to the extreme weather conditions experienced over recent years we advise that you always disassemble your trampoline and store it away safely when high winds are anticipated.



GENERAL SAFETY GUIDELINES - IMPORTANT PLEASE READ

USAGE

This trampoline is designed and made for family outdoor domestic use only. The trampoline is not intended for use outside of these guidelines. The user should be either barefoot, in socks, or wearing gymnastic shoes. Misuse can result in injury. Inspect the trampoline before use and always replace worn, defective or missing parts. Warning for domestic use only!

SUPERVISION

Children should always be supervised while they are playing on trampolines and should be instructed not to use the trampoline in an inappropriate or hazardous manner. We recommend that they do not wear loose-fitting clothing or jewellery that may catch or snag during play. Ensure that younger children do not walk or crawl underneath the trampoline and keep the area around and underneath free from all solid objects at all times.

WEATHER CONDITIONS

Special care should be taken as weather conditions change. In particular, a wet trampoline mat (bed) is too slippery for safe jumping. Gusty or severe winds can cause jumpers to lose control. To reduce the chance of injury, use the trampoline only under appropriate weather conditions. In cold weather, tongues and lips can stick to metalwork at subzero temperatures. In warmer and sunnier weather, parts can become hot, and the temperature should be regularly checked during play, especially metal parts.

WATER PLAY

Many surfaces can become slippery during water play. Extra caution and supervision is required when combining water (e.g. paddling pools, aqua slides etc.) with other forms of outdoor play.

USING YOUR TRAMPOLINE - IMPORTANT SAFETY INFORMATION

BEFORE YOU BEGIN, REMEMBER

1. Trampolines are rebounding devices which propel the user to unaccustomed heights, and into a variety of body movements. Rebounding off the trampoline, striking the frame or springs, or improperly landing on the trampoline may cause injury.
2. All purchasers and all persons using the trampoline must become familiar with the manufacturers recommendations for the proper assembly, use and care of the trampoline. Each user must also be alert to his/her own limitations in the execution of trampoline skills. Assembly instructions, selected precautions and suggestions for the care and maintenance of the trampoline are included in this user's manual to promote safe, enjoyable use of this equipment.
3. It is the responsibility of the owner to ensure that all users of this trampoline are adequately informed of all warnings and safety instructions.
4. Never allow more than one (1) person on the trampoline at a time. Multiple jumpers increases the chance of someone becoming injured. Jumpers may collide with one another, fall off the trampoline, fall on or through the springs, or land incorrectly on the mat.
5. Always secure the trampoline against unauthorized and unsupervised use.
6. Inspect the trampoline before each use and replace any worn, defective, or missing parts. The following conditions could represent potential hazards:
 - (1) Missing, improperly positioned, or insecurely attached frame padding,
 - (2) Punctures, frays, tears, or holes worn in the bed or frame padding,
 - (3) Deterioration in the stitching or fabric of the bed or frame padding,
 - (4) Ruptured springs,
 - (5) A bent or broken frame,
 - (6) A sagging bed, or sharp protrusions on the frame or suspension system.
7. Adult supervision of children - Children should always be supervised while they are playing on the trampoline fitted with a Bounce Surround and should be instructed not to use it in an inappropriate or hazardous manner.
In particular be aware of:
Use trampoline surround only with mature, knowledgeable supervision
Do not attempt to jump over the Surround
Do not attempt to crawl under the Surround.
Do not intentionally rebound off the Surround.
Do not hang from, kick, cut or climb on the Surround.
Wear clothing free of drawstrings, hooks, loops or anything that could get caught in the barrier.
Do not attach anything to the surround that is not a manufacturer-approved accessory or part of the surround system.
Enter and exit the surround only at the surround door or opening designated for that purpose.

BOUNCING

1. Always bounce in the centre of the bed. Bouncing near the edge of the bed can lead to injury and can also stretch the springs.
2. Avoid bouncing too high. Stay low until you can control your bounce and land consistently in the middle of the bed.
3. Learn basic bounces and body positions thoroughly before trying more advanced skills. Attempting a manoeuvre beyond present skill levels increases the chance of loss of control. A controlled jump is one where the landing is in the same spot as the take off. Before learning a more difficult manoeuvre, the preceding one should be performed consistently under control.
4. Do not attempt somersaults without proper instruction and supervision. Landing on your head or neck, even in the middle of the trampoline mat increases the risk of a broken neck, which can result in paralysis or death.
5. To regain control and stop your jump, bend your knees sharply when you land.
6. Do not bounce for too long or when tired.
7. Do not use the trampoline when under the influence of alcohol or drugs.

CARE AND MAINTENANCE OF YOUR TRAMPOLINE

GENERAL

Your trampoline is designed to stand outside all year round and generally requires very little maintenance. However, a little care and forethought can add years to your trampoline's life. Remember that the bed (mat) and frame pads are made of synthetic materials and are easily damaged by cigarette ends, fireworks and bonfire debris.

- Check all nuts and bolts for tightness and tighten when required.
- Check that all spring-loaded (pit pin) joints are still intact and cannot become dislodged during play.
- Check all coverings for bolts and sharp edges and replace when required.
- Retain the maintenance instruction manual.

FRAME

Do not sit or stand on the frame or the frame pads while the trampoline is in use as this restricts the frames natural reflex action. Oil or petroleum jelly applied where the springs hook into the frame will reduce squeaking and frame hole wear. If surface rust appears it should be removed with either a wire brush or coarse sandpaper, and the area treated with a non-toxic paint.

THE MAT

The mat (bed) will, over the years, be gradually weakened by the effects of ultra violet radiation. Therefore, the more it can be protected from direct sunlight the longer it will last. A little mould or mildew should not harm the mat. Do make sure that shoes are removed before bouncing and ensure that any other sharp objects such as belt buckles, brooches and jewellery are removed too.

THE SPRINGS

Do not stand on the springs whilst the trampoline is in use. Try not to bounce on to the springs. They are not designed for this sort of stress and can become stretched, misshapen and weakened. If you find you have any stretched springs, it is important to replace them as soon as possible to avoid damage to the trampoline mat and avoid overloading and therefore damaging the remaining good springs

FIRE RISKS AND DISPOSAL

Never allow toys to be placed or used near a fire. When it becomes necessary to dispose of your equipment, remove all bolts and disassemble. Store out of the reach of children until it can be properly disposed of.

METHODS OF ACCIDENT PREVENTION

JUMPER'S ROLE IN PREVENTING ACCIDENTS

Education on the part of the user is a must for safety. Users must first learn a low controlled bounce and the basic landing positions and combinations before proceeding to intermediate skills. Jumpers must understand why they have to master "control" before they can start thinking about other moves. Understanding the proper progression of skills in jumping on a trampoline must be the first lesson.

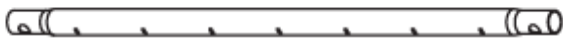
SUPERVISORS ROLE IN PREVENTING ACCIDENTS

It is the responsibility of the supervisors of trampoline users to provide knowledgeable and mature supervision. They need to know and enforce all the rules and warnings set forth in this manual in order to minimize the likelihood of accidents and injuries and to inform users of these rules. During periods of time when supervision is unavailable or inadequate, this may require that the trampoline be disassembled, placed in a secure area, or otherwise secured against unauthorized use. It is the responsibility of the supervisor to be sure that the users are fully aware of the safety guidelines which are printed on the pads.

These instructions are issued in the interest of child safety, and we do ask you to follow our advice.

CONTENTS 10ft and 12ft TRAMPOLINE FRAME- Please Check

10ft FC3068 x8



12ft FC3071 x8



10ft FM5741 x8



12ft FM5743 x8



10ft & 12ft
280mm
FM5730 x8



10ft & 12ft PFC3062 x8



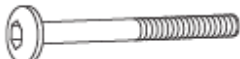
8x PM9301



8x PM9302



8x WF9873



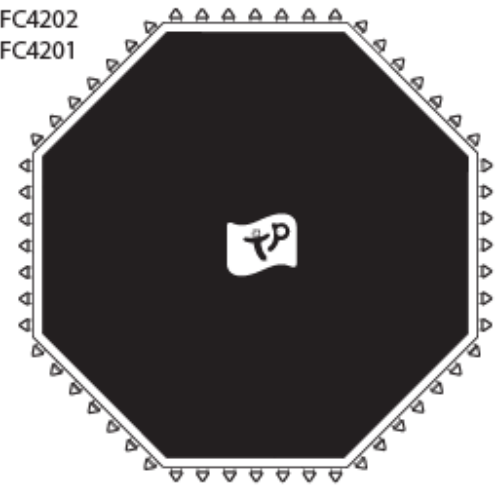
8x FA7460



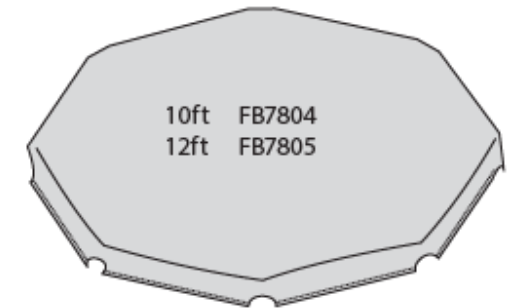
8x FA5094



8x FA8008



10ft FB7804
12ft FB7805



10ft FC8699 x56
12ft FC8699 x72



16x FA8606

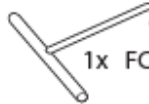
16x FA8607



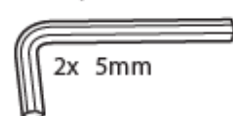
Tools



1x FC8162



1x FC8681



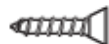
2x 5mm



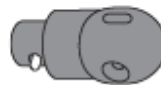
24x FC2016

CONTENTS SURROUND

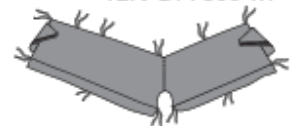
FB6046/6049 x1
10ft & 12ft



FA6840 x8
10ft & 8ft



PM1985 x8
10ft & 12ft



10ft DP7879 x1
12ft DP7880 x1

PM8156 x1
10ft & 12ft



FA6394 x8
10ft & 12ft

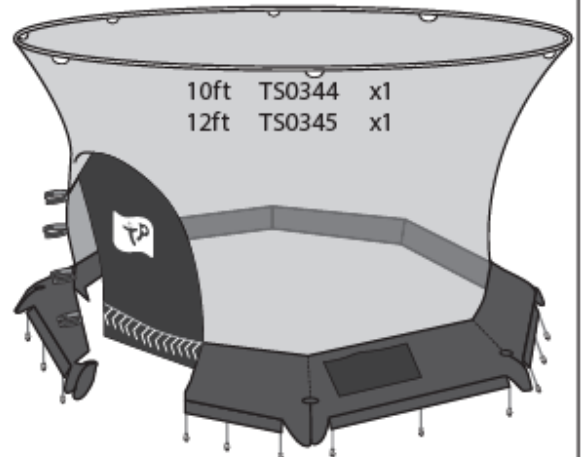
FB6048 x1



FC3061 1910mm x8
10ft & 12ft

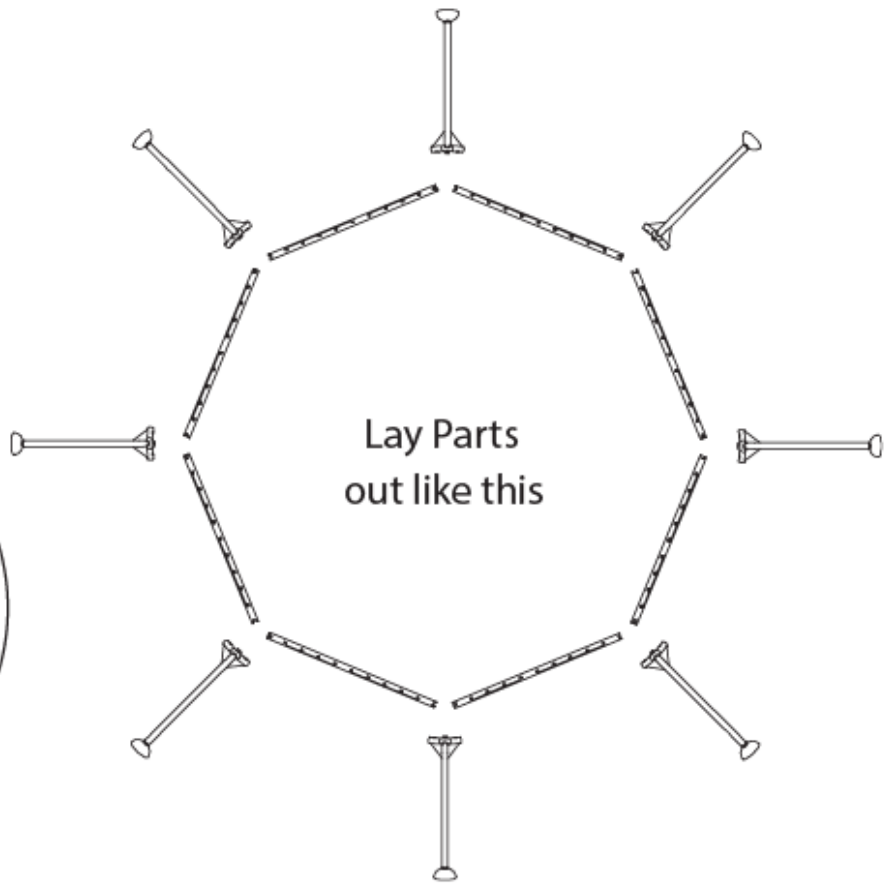
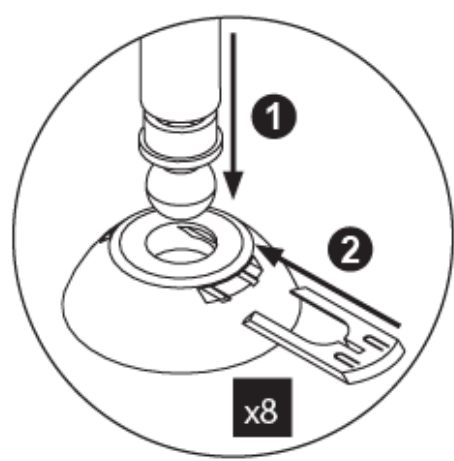
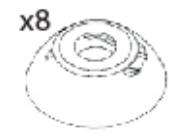
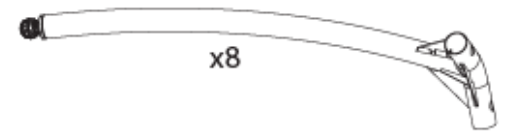
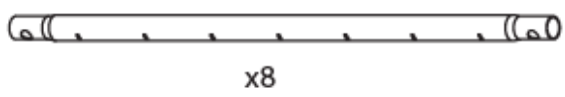


10ft & 12ft BFC3067 x8

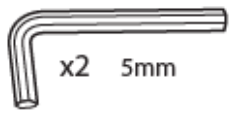
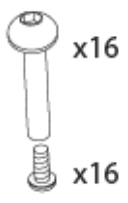
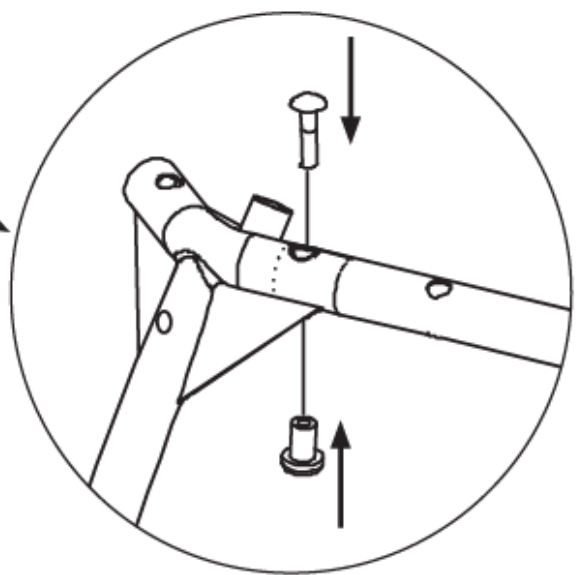
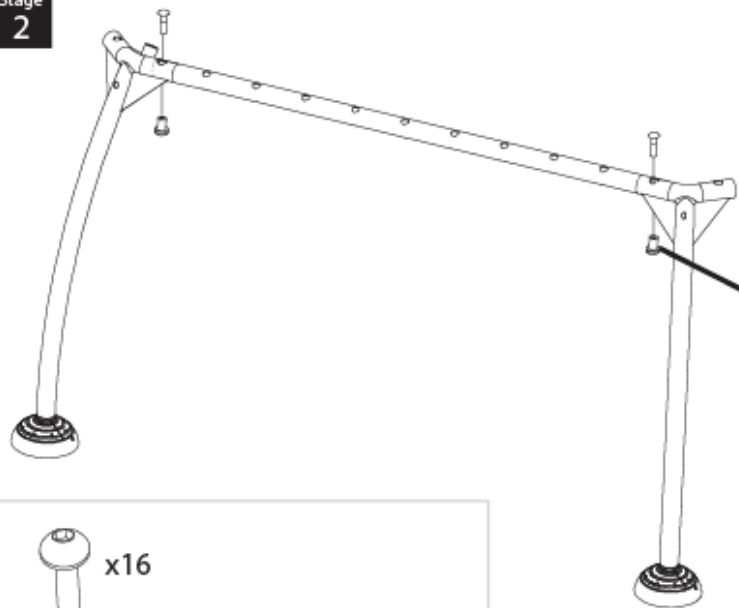


10ft TS0344 x1
12ft TS0345 x1

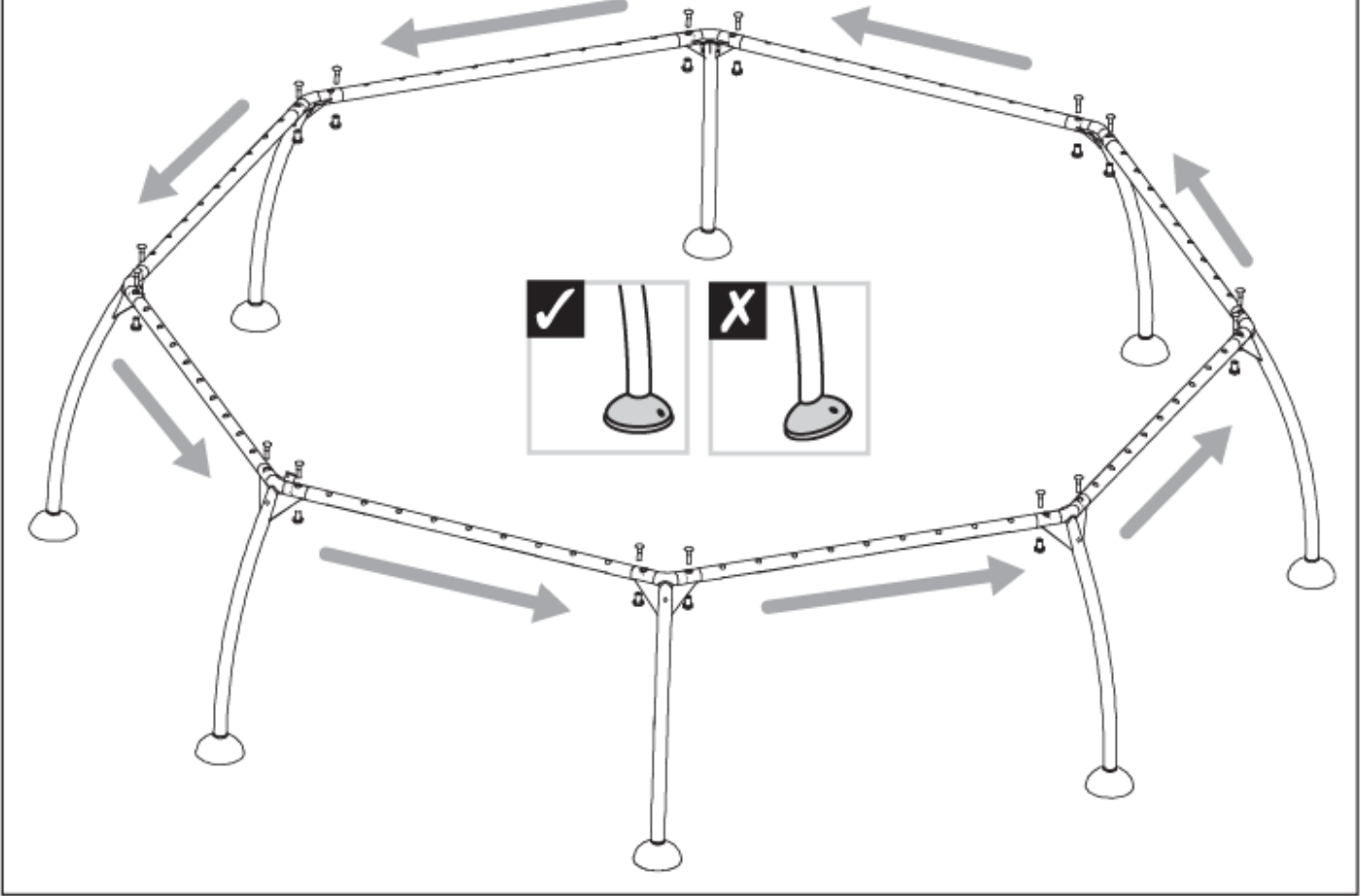
Stage 1 FRAME ASSEMBLY



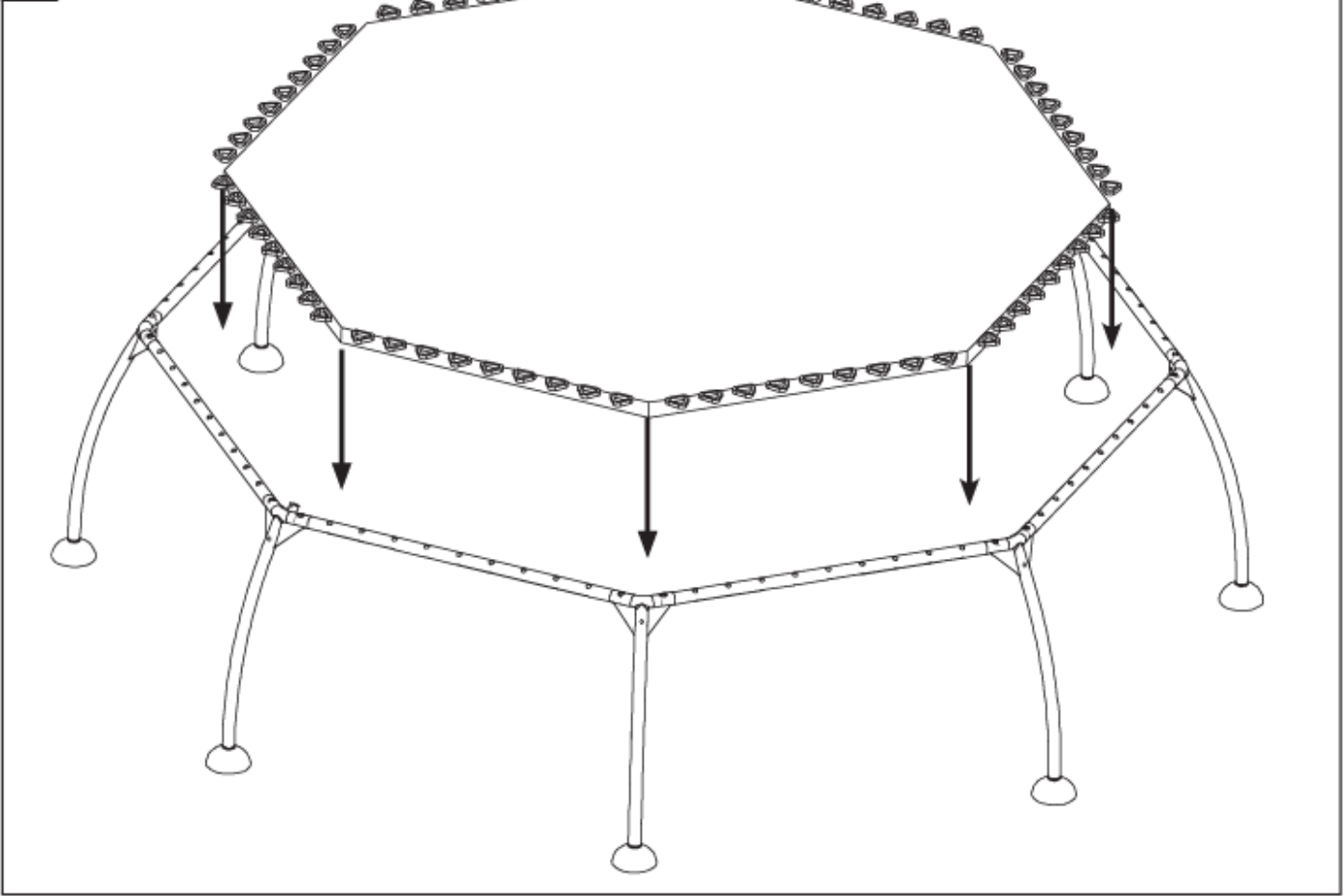
Stage 2



Stage
3



Stage
4

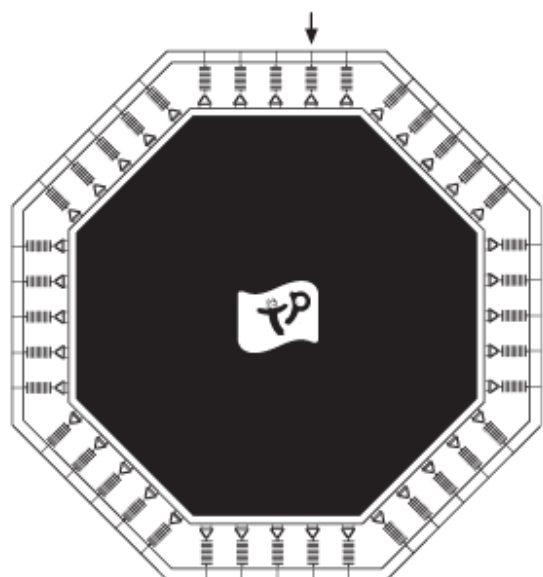
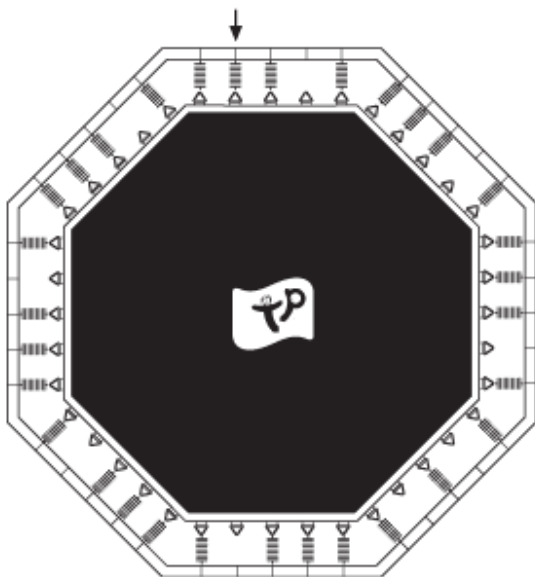
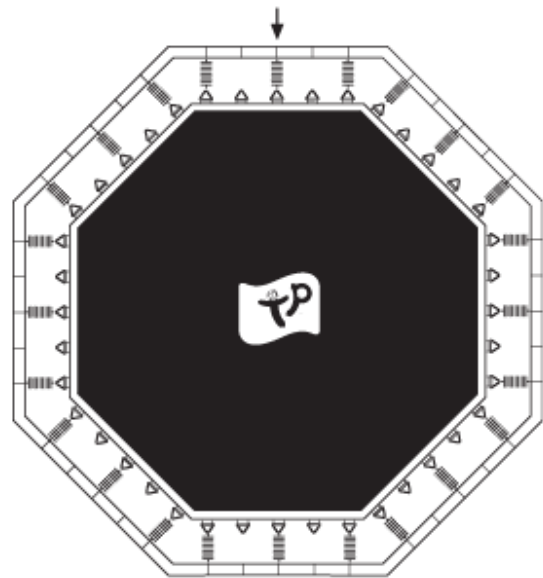
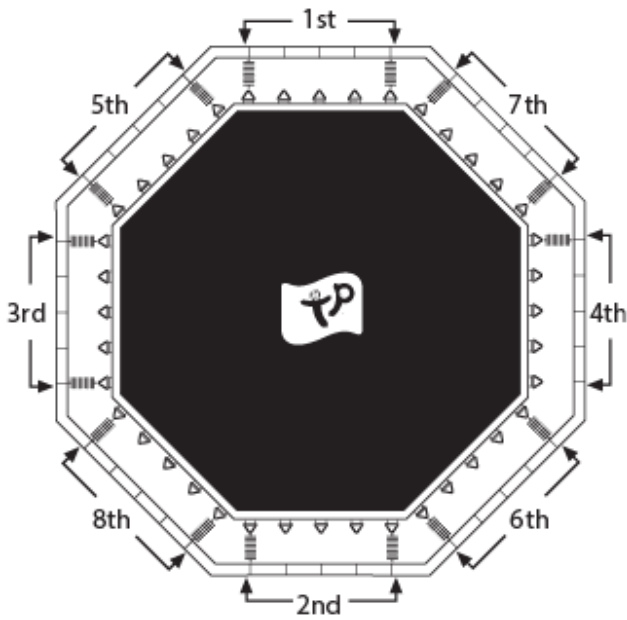
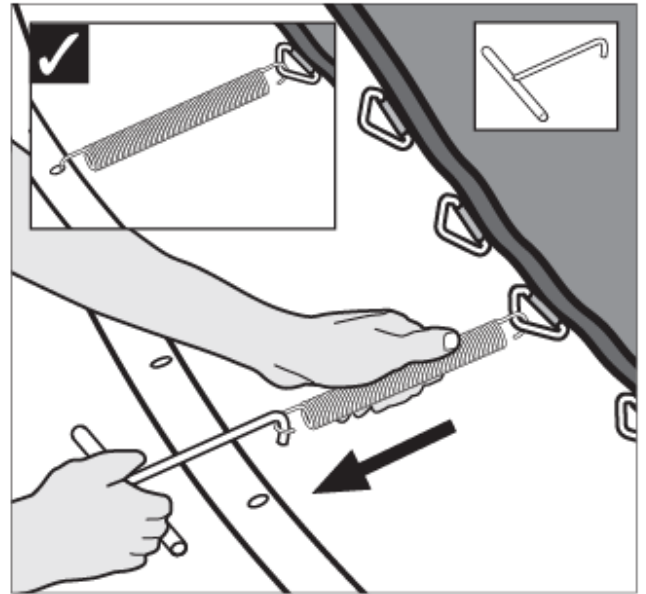


Stage
5

x1



10ft x56
12ft x72

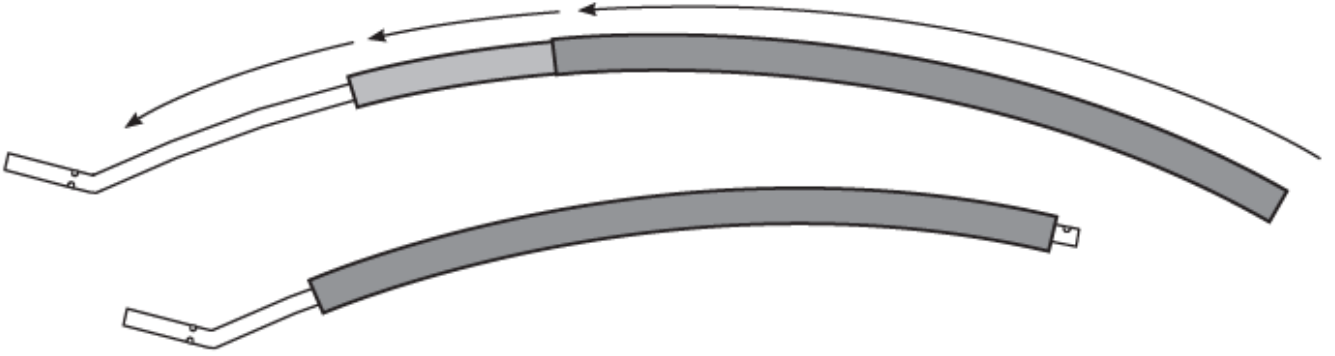


Stage
6

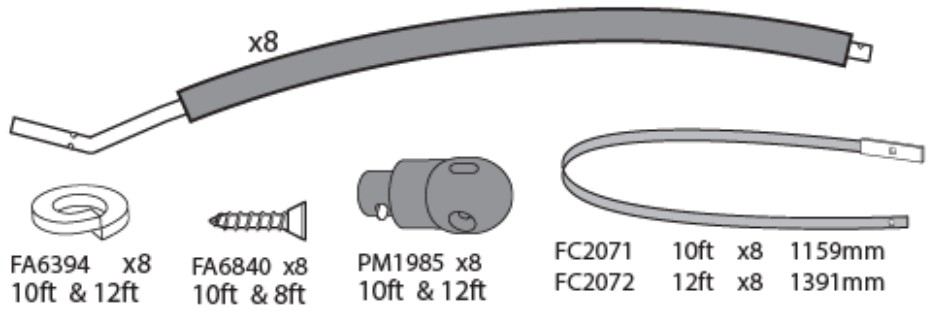
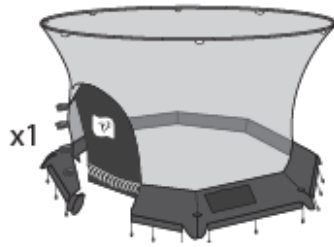
x8



x8

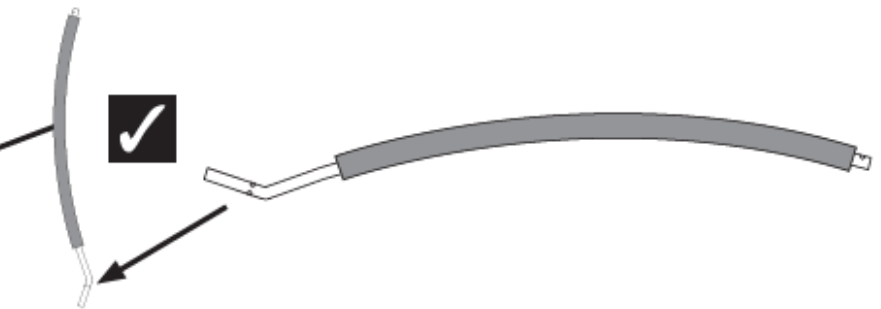
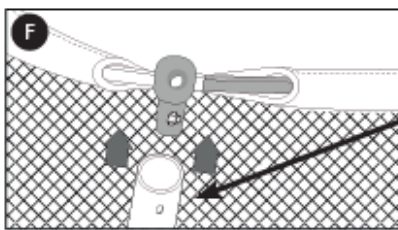
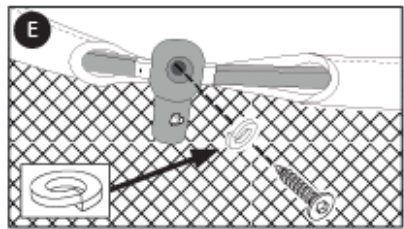
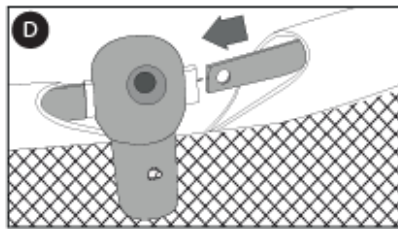
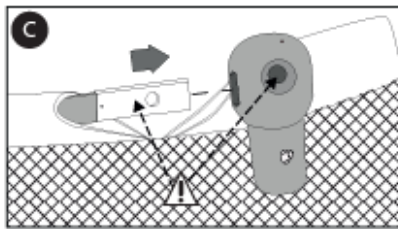
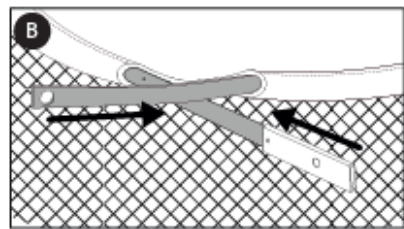
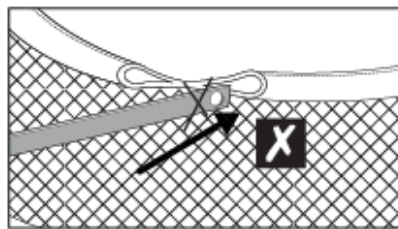
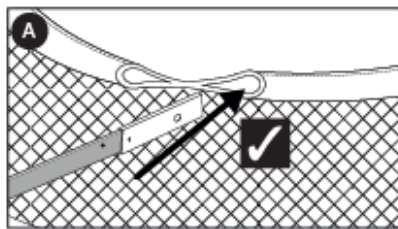
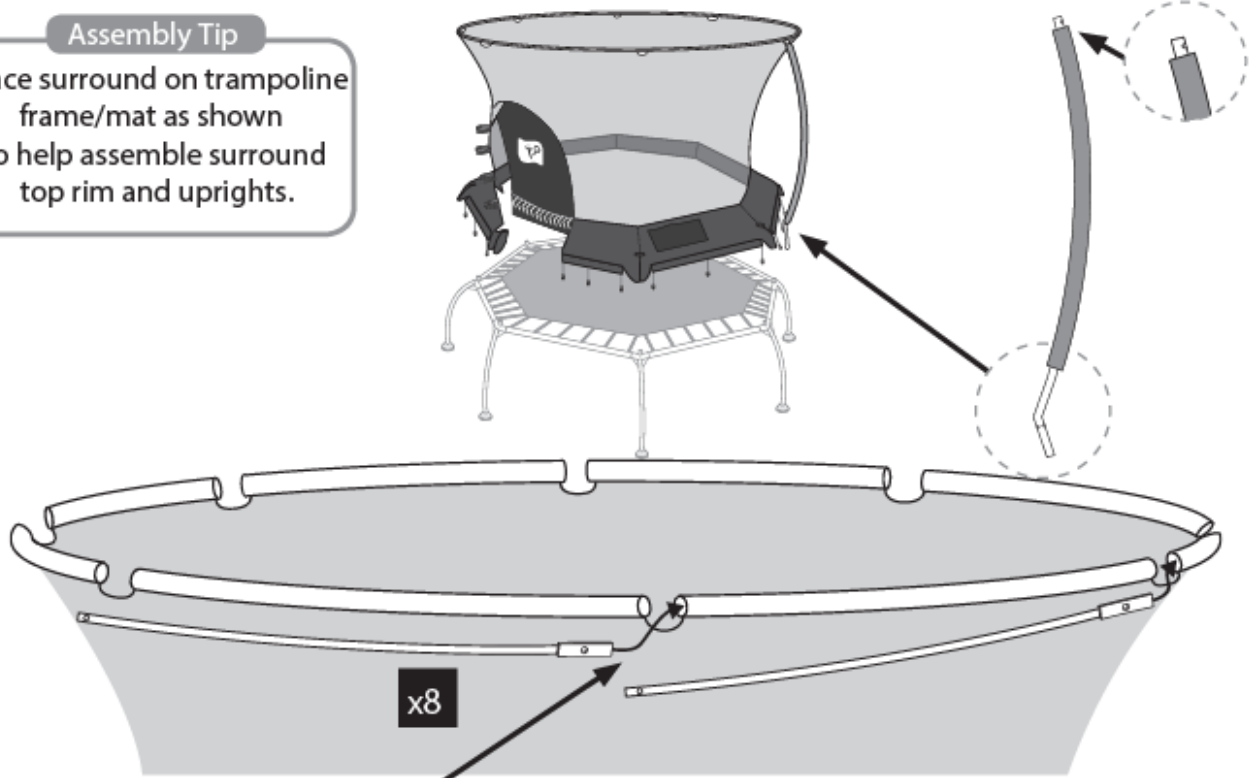


Stage
7



Assembly Tip

Place surround on trampoline frame/mat as shown to help assemble surround top rim and uprights.



Stage
8

1x FB6048



8x FA7460

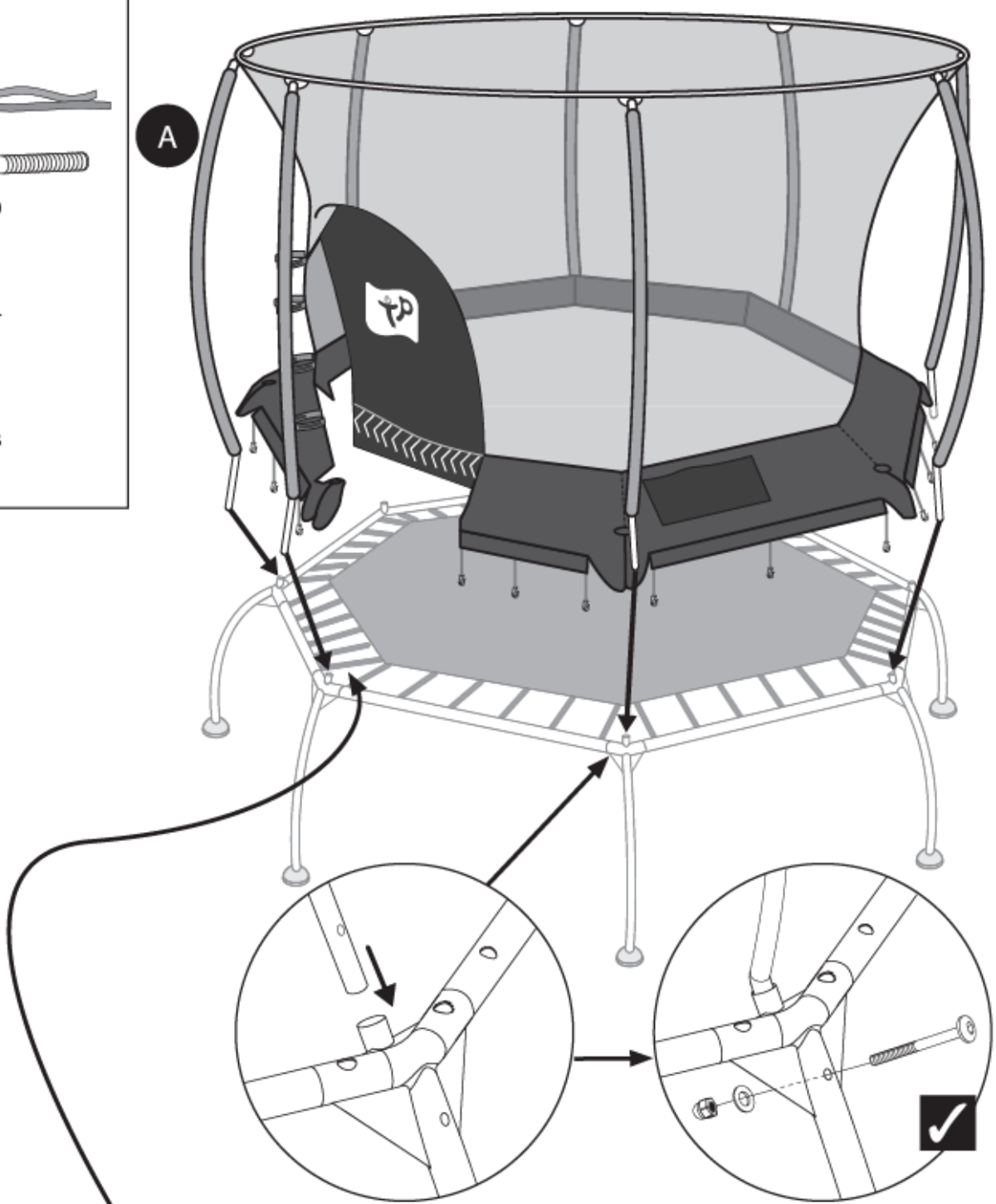


8x FA5094

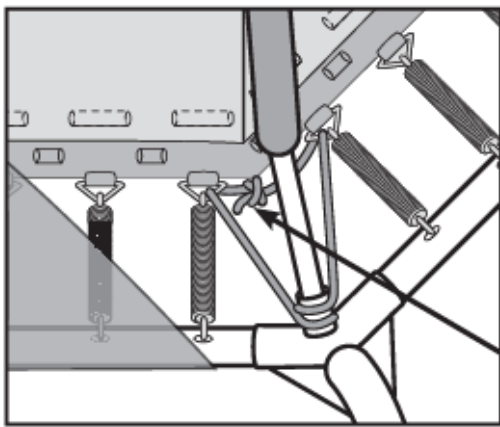
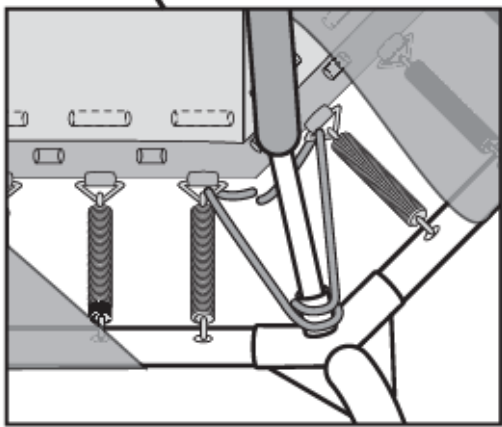


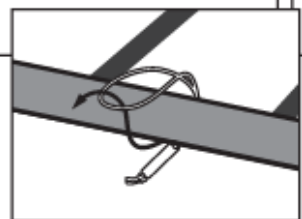
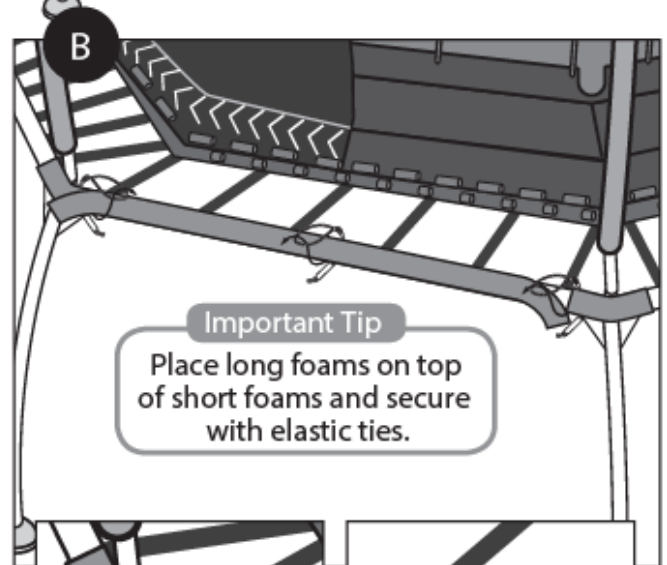
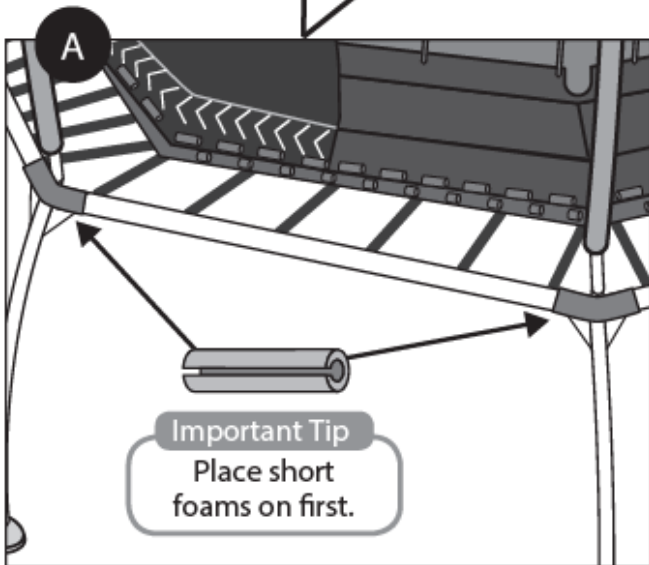
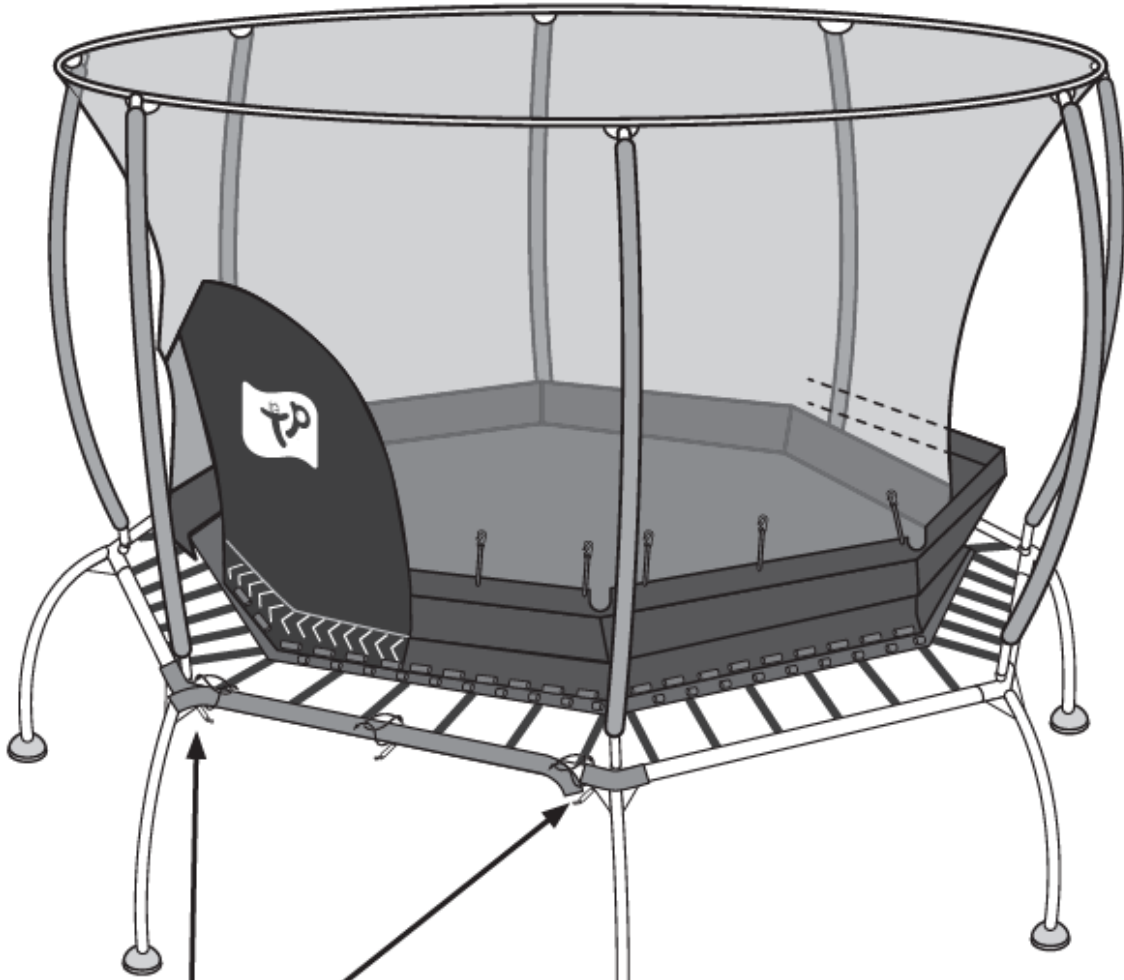
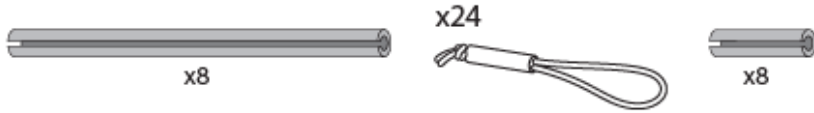
8x FA8008

A



B



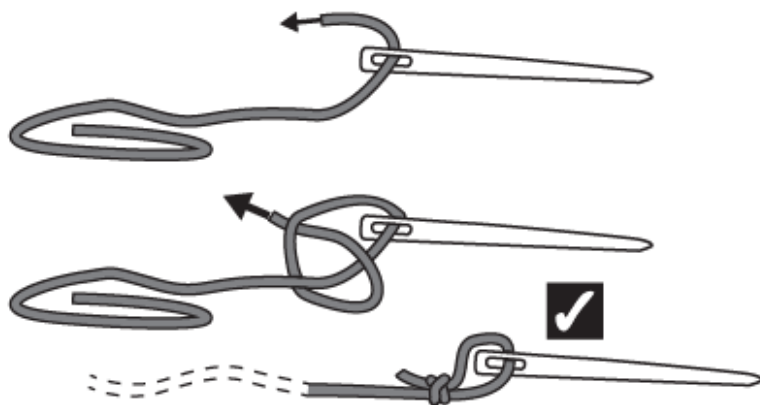


Stage
10



FB6046/6049 x1
10ft & 12ft

PM8156 x1
10ft & 12ft

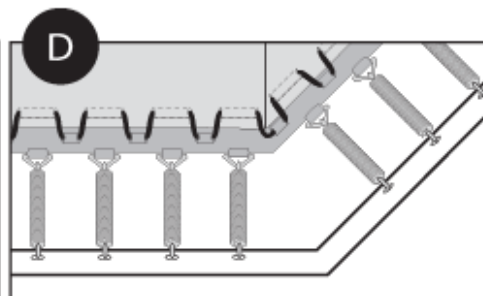
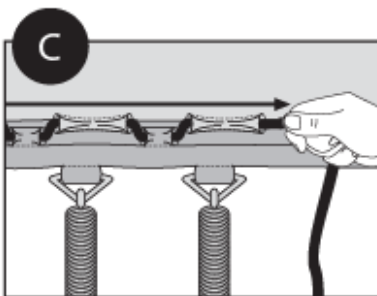
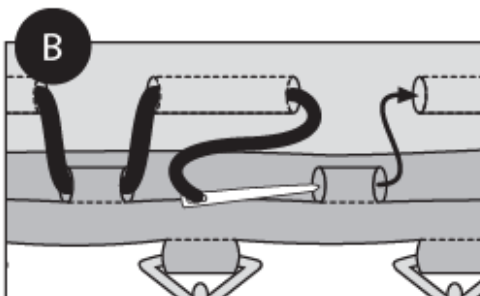
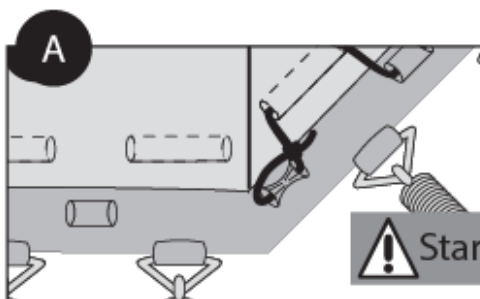
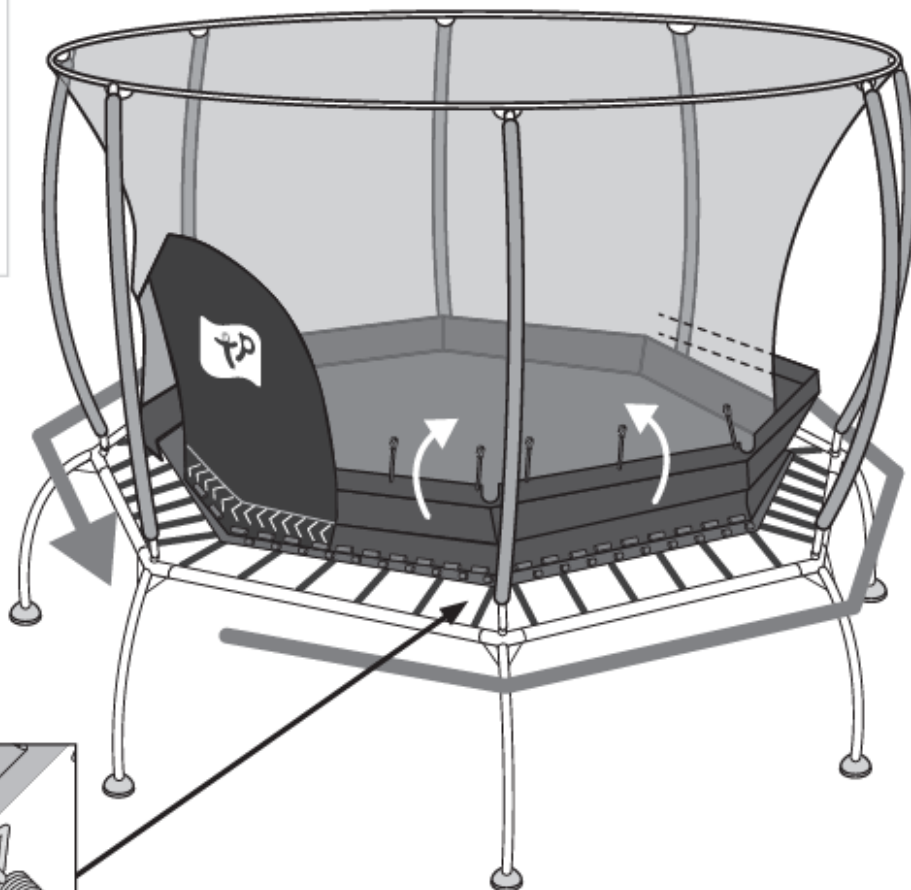


Stage
11



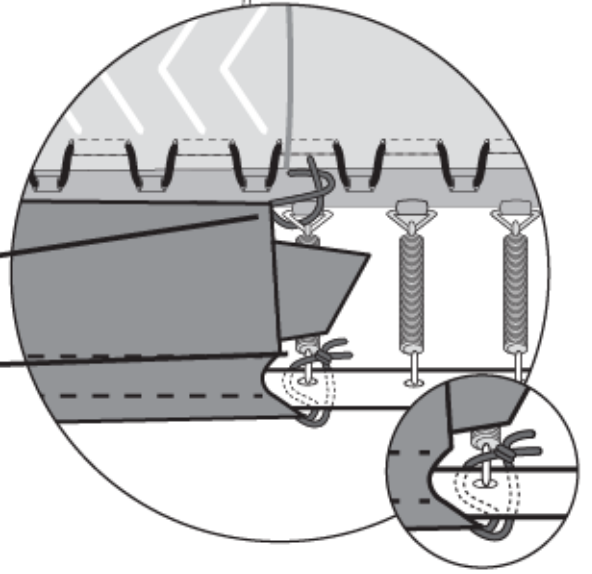
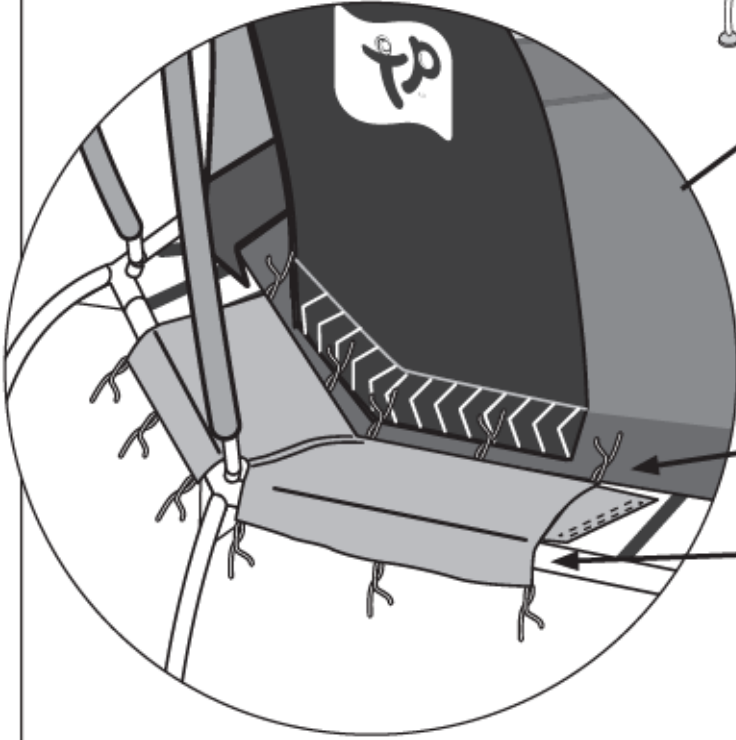
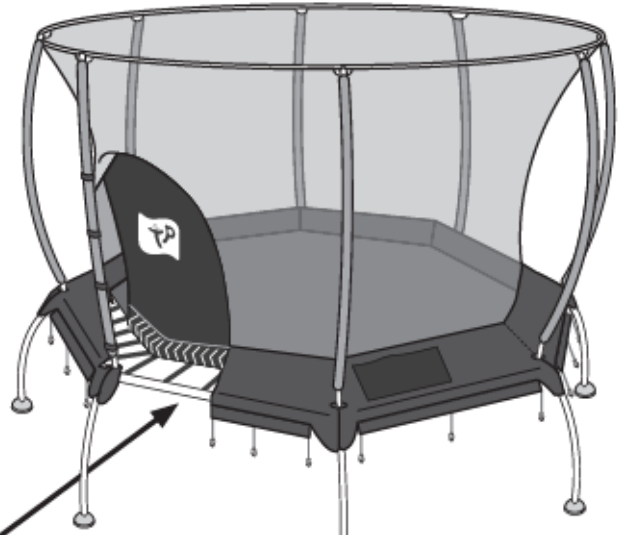
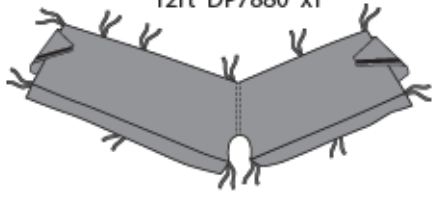
FB6046/6049 x1
10ft & 12ft

1x
10ft & 12ft

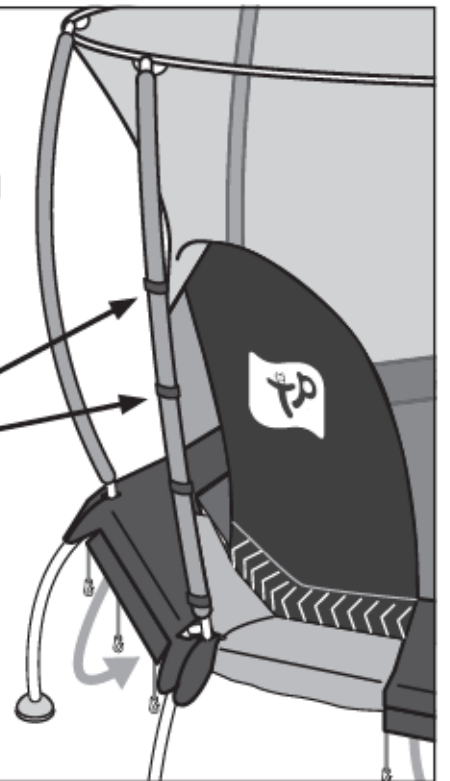
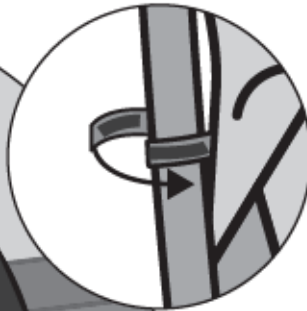
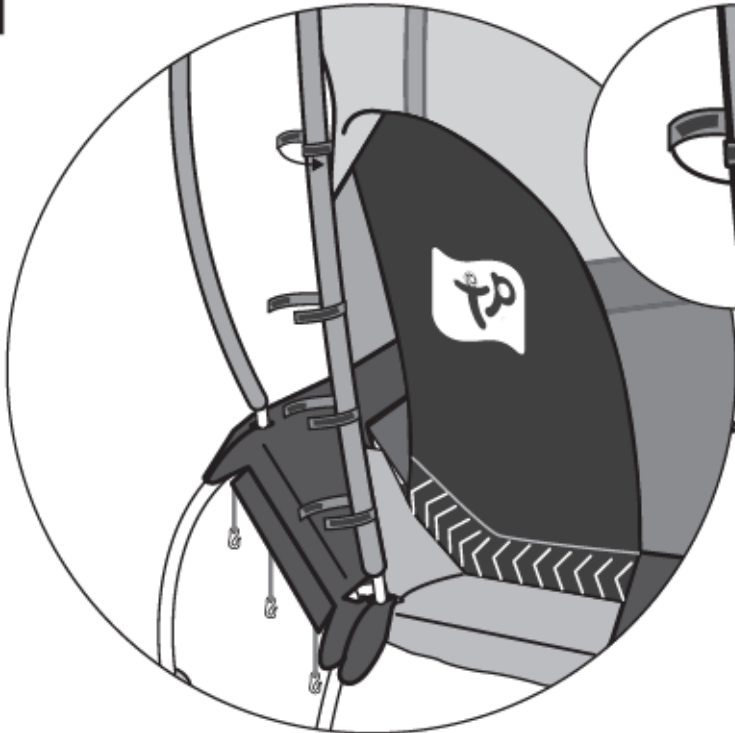


Stage
12

10ft DP7879 x1
12ft DP7880 x1

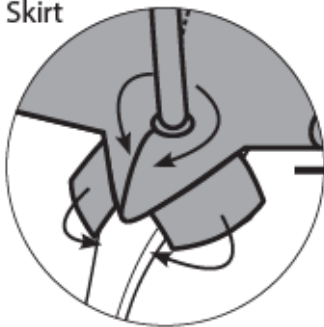


Stage
13



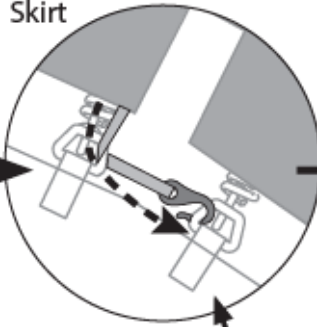


Outside Skirt

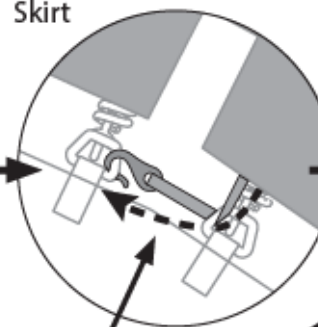


Pull surround around the uprights

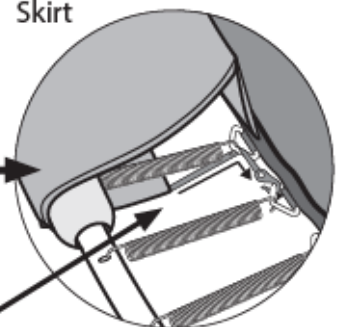
Underside Skirt



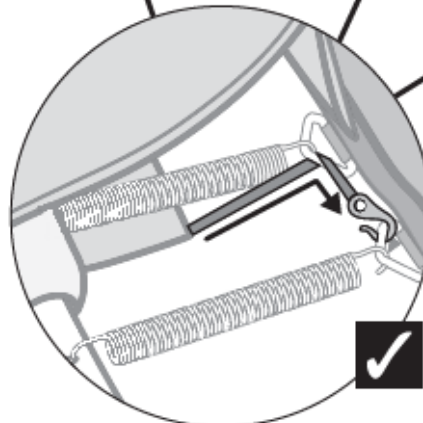
Underside Skirt



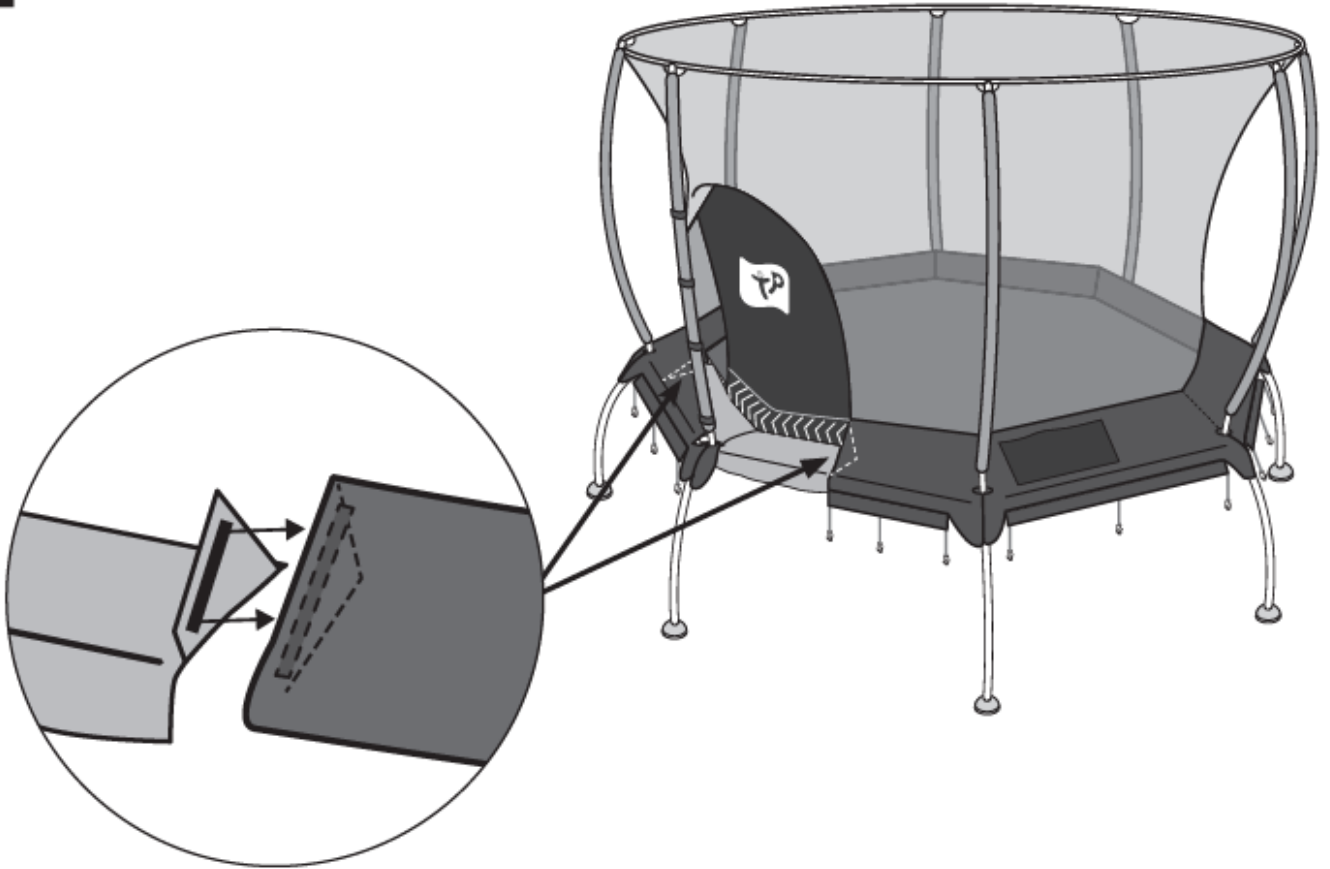
Outside Skirt



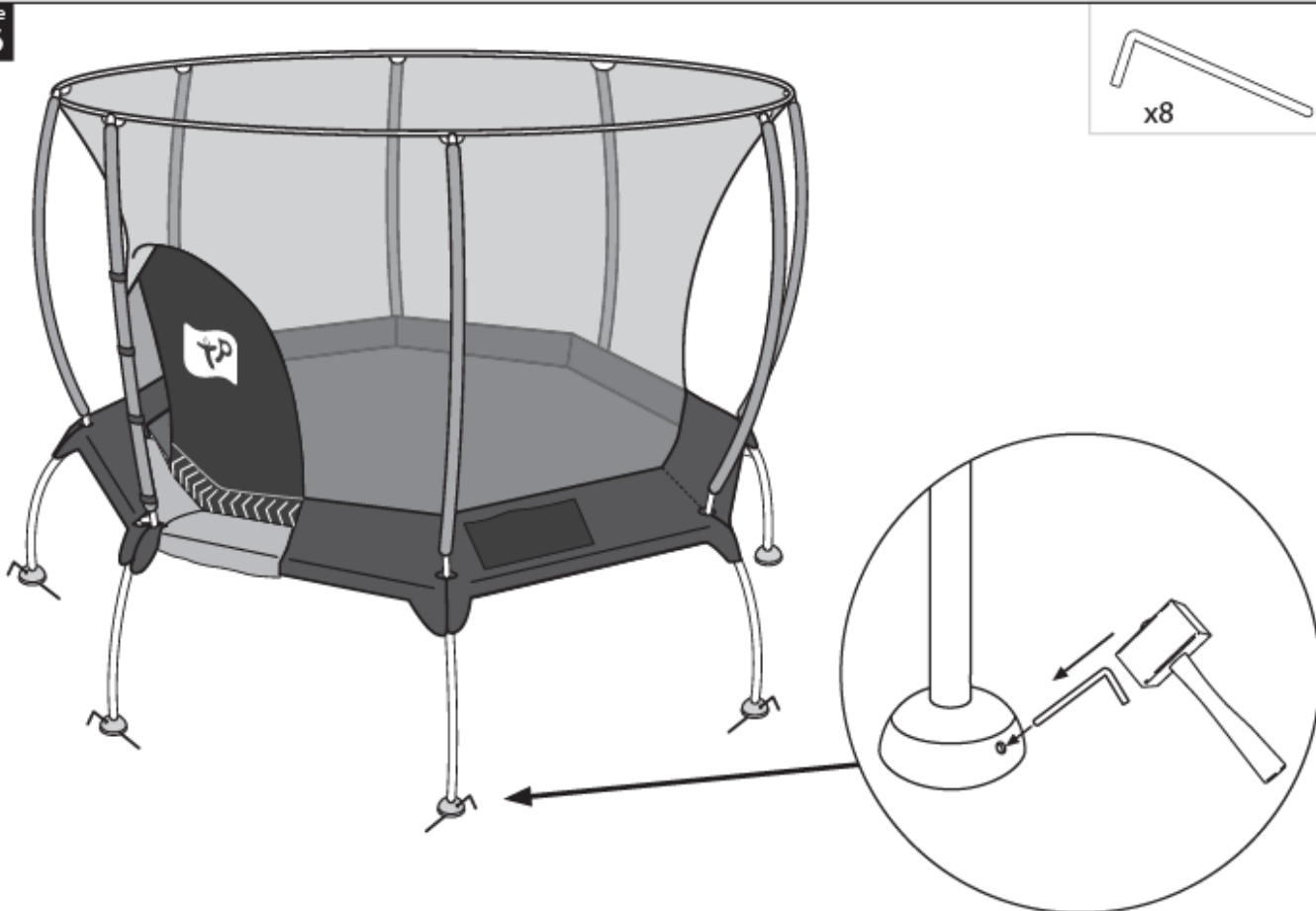
Repeat until all hooks are fastened



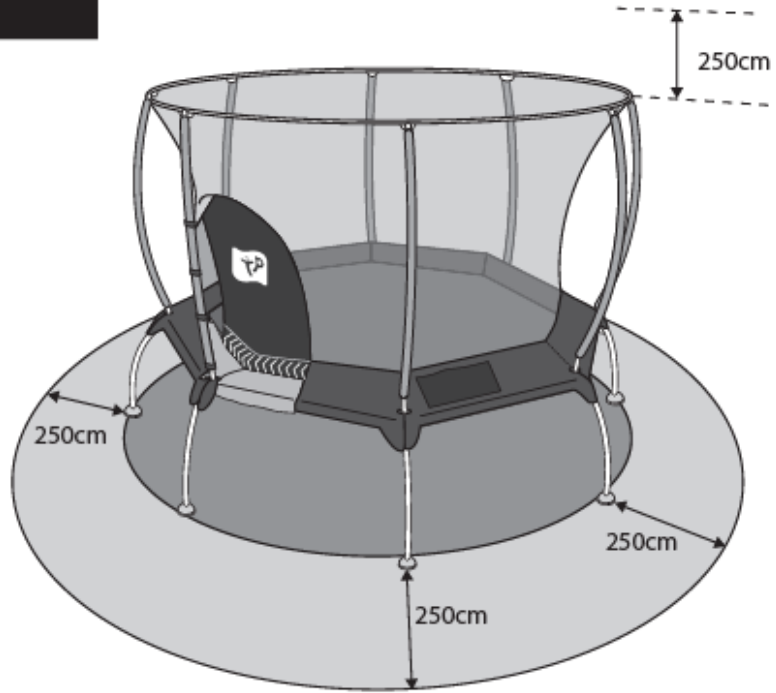
Stage
15



Stage
16



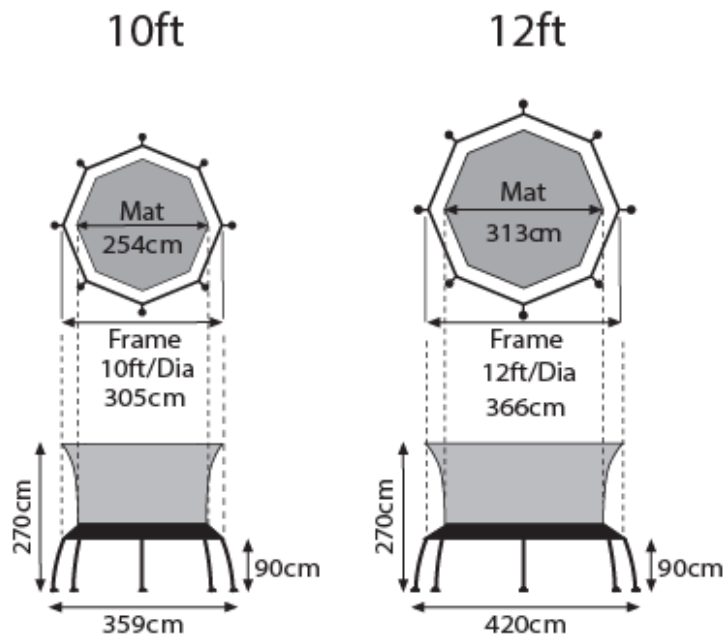
Recommended safe play area:



Recommended Free Space:

The Safe Play Area refers to the zone extending 250cm (2.5 metres) beyond the toy on all sides and 250cm (2.5 metres) above the toy. The Safe Play Area must be free from all structures, landscaping, trees and branches, rocks, wires, sprinkler heads and other similar obstacles to safe play. Children can be seriously injured running or colliding into such obstacles.

Trampoline dimensions:



WARRANTY

AUSTRALIAN CONSUMER LAW

Many of our products come with a guarantee or warranty from the manufacturer. In addition, they come with guarantees that cannot be excluded under the Australian Consumer law. You are entitled to a replacement or refund for a major failure and compensation for any other reasonably foreseeable loss or damage.

You are entitled to have the goods repaired or replaced if the goods fail to be of acceptable quality and the failure does not amount to a major failure. Full details of your consumer rights may be found at www.consumerlaw.gov.au

Please visit our website to view our full warranty terms and conditions:

<http://www.lifespankids.com.au/Warranty-Policy-Kids>

Please send all warranty and support inquiries through our ticketing system via the email address: support@lifespankids.com.au.