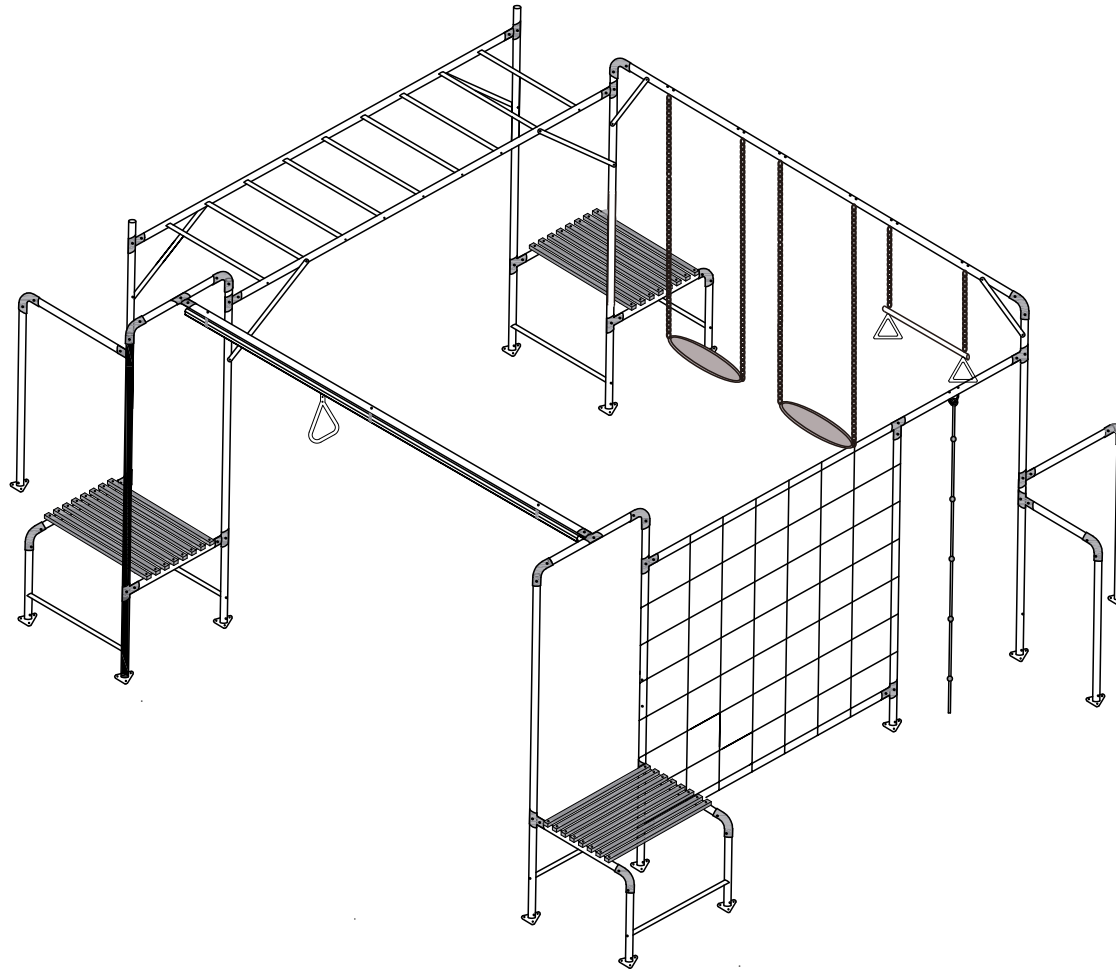




# JUNIOR JUNGLE OWNER'S MANUAL



## WARNING!

The disassembled product contains small parts which pose a choking hazard to children under 3.



## IMPORTANT :

The owner's manual contains safety assembly , use and maintenance instructions. The product must be assembled by an adult who has read and understood these instructions. Keep the packaging away from children and dispose of all packing before use.

For the installer and your children's safety ,It is important to fully read and understand the instructions and safety hazards before commencing the assembly of the product.

---

# GENERAL SAFETY INSTRUCTIONS

## PURPOSE

This product is intended for outdoor, domestic use only. It is not suitable for commercial or medical use.

## 1.1 DANGER FOR CHILDREN

### WARNING! No eating while using the product

- This product may only be used with adult supervision at all times.
- The packaging material is not suitable for children due to choking and suffocation hazards.
- Not suitable for children under 3 years.
- Max Users: 1
- Max User Weight: 80kg
- Max Fall Height for this produce is 180cm.

## 1.2 RISK OF INJURIES

- Do not use the product if it is damaged or defective. If it is damaged or defective, please contact a qualified technician.
- Check the product before each use. Defective parts must be changed immediately as they can impair the function and the safety of the product.
- Use the product only on even and non-slipping surfaces. Never use it near water and keep enough space around for safety.

## 1.2 PRODUCT DAMAGE

- Do not make alterations to the product. Only use original spare parts. Qualified technicians should only carry out repairs – improper repairs can lead to danger for the user. Use this product only as described in this manual.

## 1.3 ASSEMBLY ADVICE

- The product should be installed over impact absorbing surfaces such as sand, wood-bar chips, rubber and foam and should not be installed over concrete, asphalt or any hard surface.
- This product should be anchored into ground with concrete in 350(L) x 350(W) x 350(D)mm.
- The assembly of the product must be done carefully and by an able-bodied adult. If in any doubt, ask a technically qualified person.
- Before you start with the assembly, read the instructions carefully.
- Remove all packaging materials and lay down all parts on an open space. This gives you an overview and simplifies the assembly procedure.
- Check with the parts list that all parts are available. Dispose of the packaging material when the assembly is completed.
- Beware that when using tools or doing technical work, there is always a risk of injuries. Assemble the product with care.
- Create a danger free environment; for example, do not let tools lay around the workspace. Store the packaging material in a way that cannot cause any danger.
- After installing the product according to the instruction manual, ensure all screws, bolts and nuts are correctly installed and tightened and that all joints are secure.
- Reasonable space must be kept between the product and possible sources of danger, such as other equipment swimming pools and fences.
- The product must be assembled correctly before use.
- Place the product on a level surface at least 2 m from any structure or obstruction such as a fence, garage or house.
- No modifications are to be made to the original product.

- The product must always be used in a well-lit area.
- Use gloves during assembly and disassembly.
- Outdoor products should be equipped with a device that in strong wind conditions avoid displacement due to wind (e.g. steel bars in the ground or loads like sandbag or water bags).
- In certain areas during winter, snow build-up and the low temperatures can damage the product. It is recommended to remove snow build-up and to store the product indoor.
- We strongly recommend visual inspections every 3 months to ensure the integrity of the entire product. Replace any parts as necessary.
- Direct sunlight may cause the equipment to become hot. To prevent injury, we recommend storing this under shade.

## **SAFETY INSTRUCTIONS**

- The safety instructions of the product should always be considered and obeyed.
- Using the product may result in permanent injury such as paralysis, or even death. Falling off the product may lead to injuries, particularly to the back, neck or head.
- No clothes with hooks or lose parts should be worn or carried during product usage in order to avoid hooks getting caught and causing injury.
- Moving the product whilst assembled may affect the integrity of the frame. Should it be necessary to move the product, please consider the following:
  - 1.) Force to be evenly spaced around the frame to lift the product off the ground
  - 2.) The product must be carried horizontally
  - 3.) Use caution whilst moving as it could bend the product frame.
- Users should be familiar with the assembly manual. This manual contains assembly guidance; selected precautionary measures as well as recommendations for servicing and maintenance of the product, in order to ensure safe and fun usage.
- It is the responsibility of the owner or the supervisor to guarantee that all users of the product are informed sufficiently of all warning references and safety instructions.

### **For the supervisor:**

The supervisor's role is to make sure users are aware of all safety precautions and that these precautions are enforced. When a supervisor is not available, the product may be disassembled or covered to limit access.

- The product can be only used if it is in good condition, worn or damaged parts should be replaced.
- Objects, which could be dangerous to the user, should be away from the product
- Avoid unauthorized and unsupervised use of the product.
- Do not use the product under influence of alcohol or drugs (incl. medicines).
- Do not use the product or its attachments as a jumping platform.

## Consumer Information Sheet for Playground Surfacing Materials

The US Consumer Product Safety Commission (CPSC) estimates that about 100 000 playground equipment-related injuries resulting from falls to the ground surface are treated annually in US hospital emergency rooms. Injuries involving this hazard pattern tend to be among the most serious of all playground injuries, and have the potential to be fatal, particularly when the injury is to the head. The surface under and around playground equipment can be a major factor in determining the injury-causing potential of a fall. It is self-evident that a fall on to a shock-absorbing surface is less likely to cause a serious injury than a fall onto a hard surface. Playground equipment should never be placed on hard surfaces, such as concrete or asphalt, and while grass may appear to be acceptable, it may quickly turn to hard-packed earth in areas of high traffic. Shredded bark mulch, wood chips, tine sand or the gravel are considered to be acceptable shock absorbing surfaces when installed and maintained at a sufficient depth under and around playground equipment.

Table B.1 lists the maximum height from which a child would not be expected to sustain a life-threatening head injury in a fall on to four different loose-fill surfacing materials if they are installed and maintained at depths of 150 mm, 225 mm and 300 mm.

**Table B.1: Fall height in millimetres from which a life-threatening head injury would not be expected**

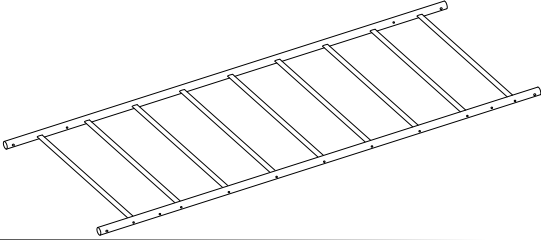
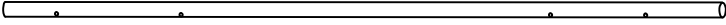

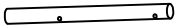


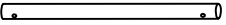
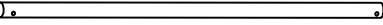
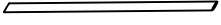


Type of Material	Depth of surfacing material		
	150mm	225mm	300mm
Double Shredded Bark Mulch	1800	3000	3300
Wood Chips	1800	2100	3600
Fine Sand	1500	1500	2700
Fine Gravel	1800	2100	3000

However, it should be recognised that all injuries due to falls cannot be prevented, no matter what surfacing material is used.







It is recommended that a shock absorbing material extend a minimum of 1 800 mm in all directions from the perimeter of stationary equipment such as climbing frames and slides.

This information is intended to assist in comparing the relative shock-absorbing properties of various materials. No particular material is recommended over another. However, each material is only effective when properly maintained. Materials should be checked periodically and replenished to maintain correct depth as determined necessary for the equipment in question. The choice of a material depends on the type and height of the playground equipment, the availability of the material in a particular area, and its cost.

# LK 49 JUNIOR JUNGLE - MONKEY BARS -Parts List

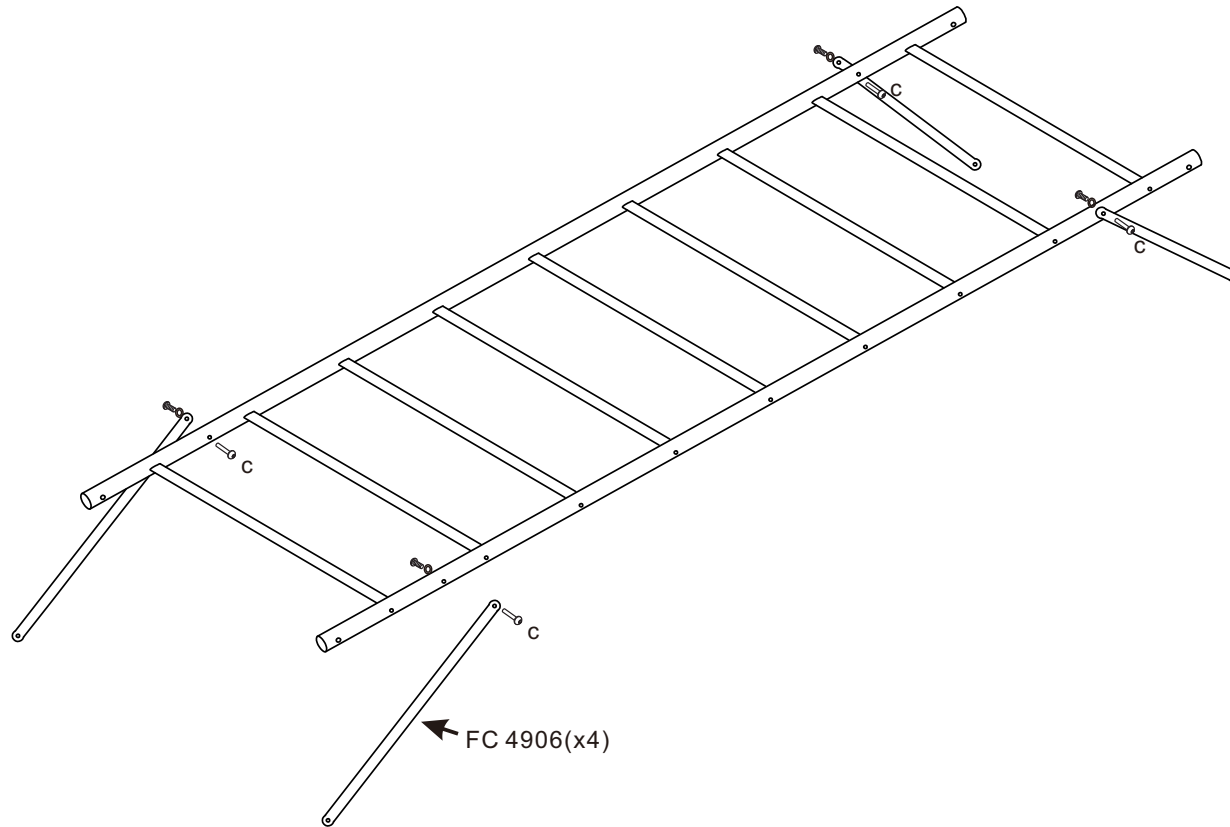
Pictures Reference	Part#	Qty
	FC 4901	1
	FC 4902	4
	FC 4903	4
	FC 4904	4
	FC 4906	4
	FC 4905	16
	FC 4908	1
	FC 4910	1
	FC 4911	4
	BR 01	10
	BR 02	18

# LK 49 JUNIOR JUNGLE - MONKEY BARS -Parts List

Pictures Reference	Part#	Qty
	BR 03	9
 M8X48MM	a	28+1
 M8X50MM	b	8+1
 M8X42MM	c	17+1
 M8X60MM	d	32+1
 Anchor	e	5

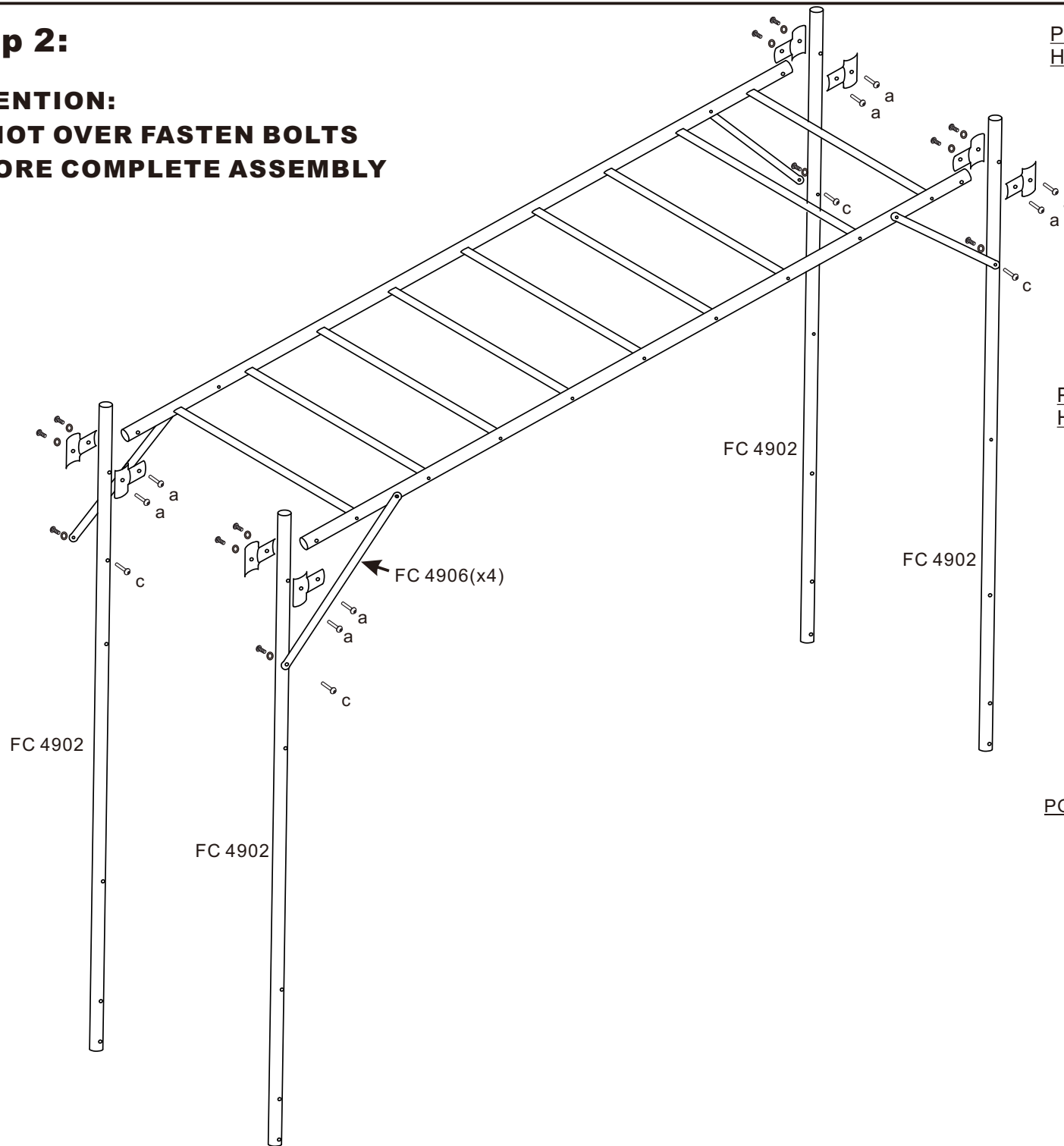
## Step 1:

**ATTENTION:  
DO NOT OVER FASTEN BOLTS  
BEFORE COMPLETE ASSEMBLY**

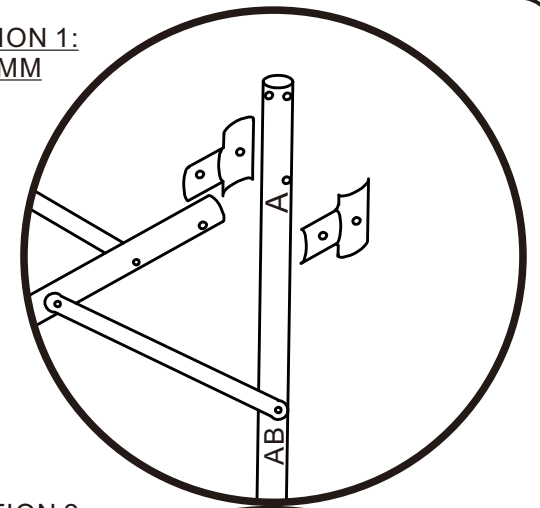


## Step 2:

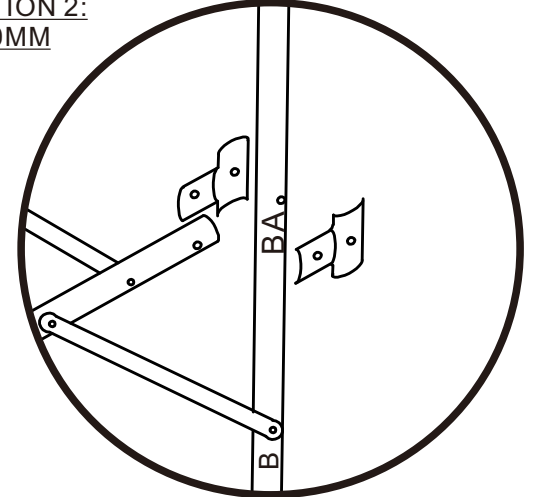
**ATTENTION:  
DO NOT OVER FASTEN BOLTS  
BEFORE COMPLETE ASSEMBLY**



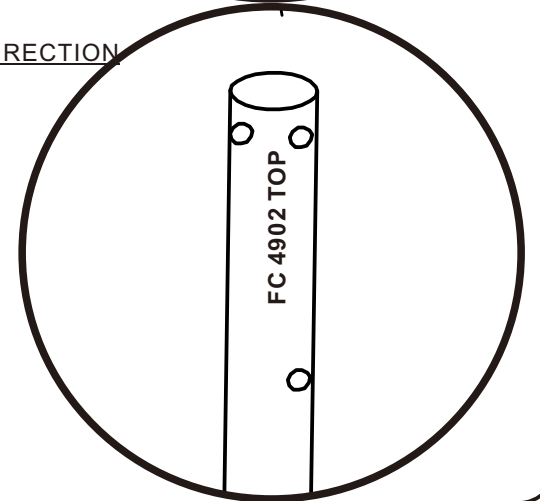
POSITION 1:  
H1880MM



POSITION 2:  
H1620MM



POLE DIRECTION





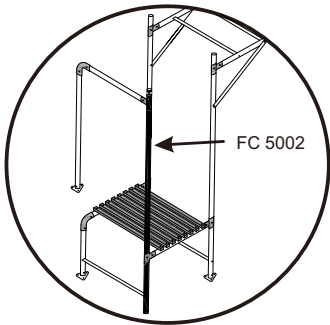
### Step 3:

#### ATTENTION:

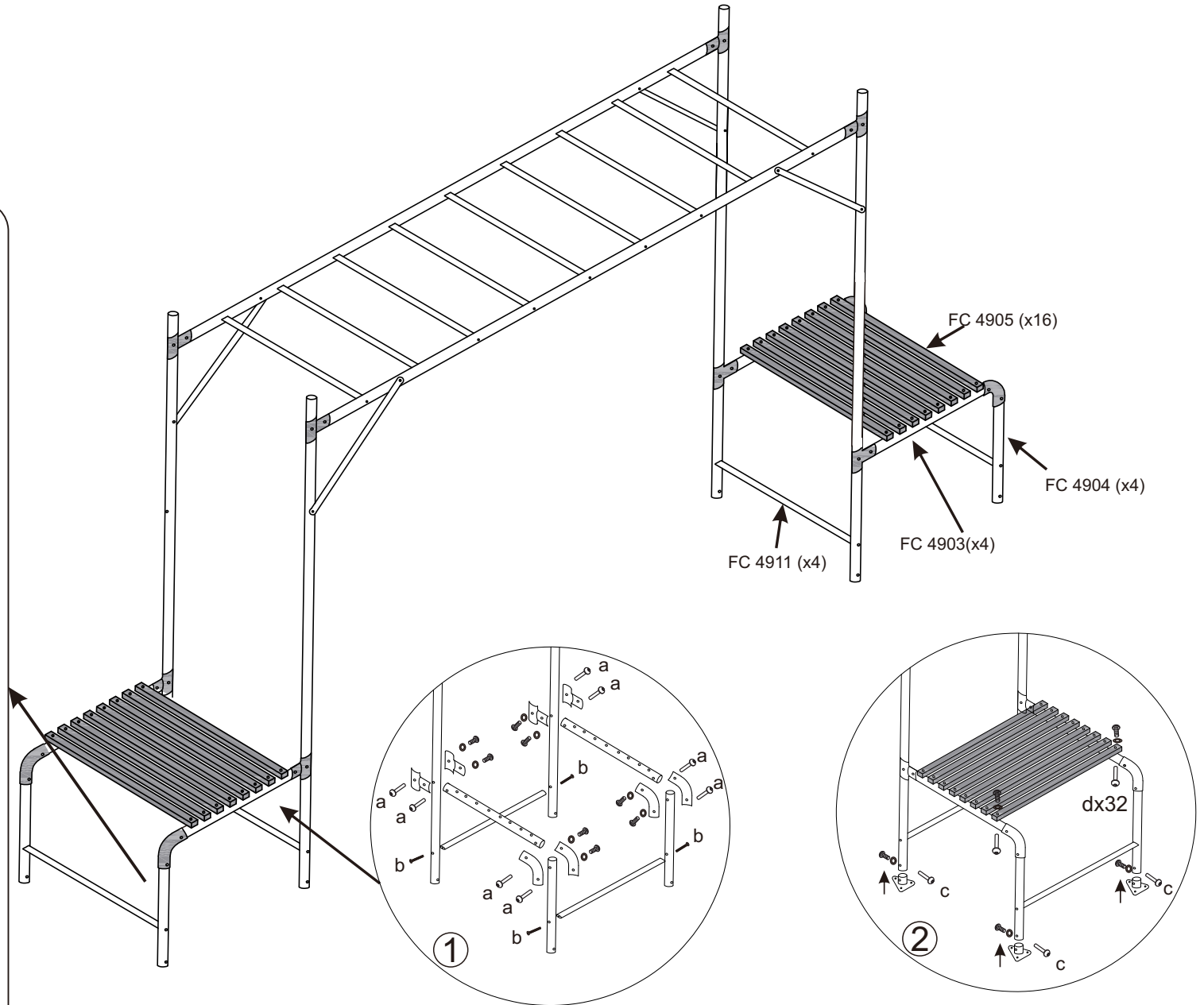
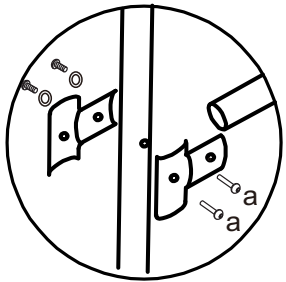
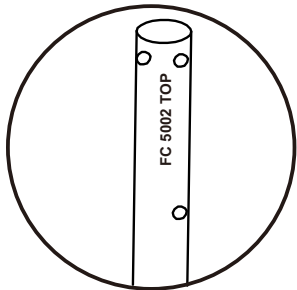
**DO NOT OVER FASTEN BOLTS  
BEFORE COMPLETE ASSEMBLY**

#### Option 2.

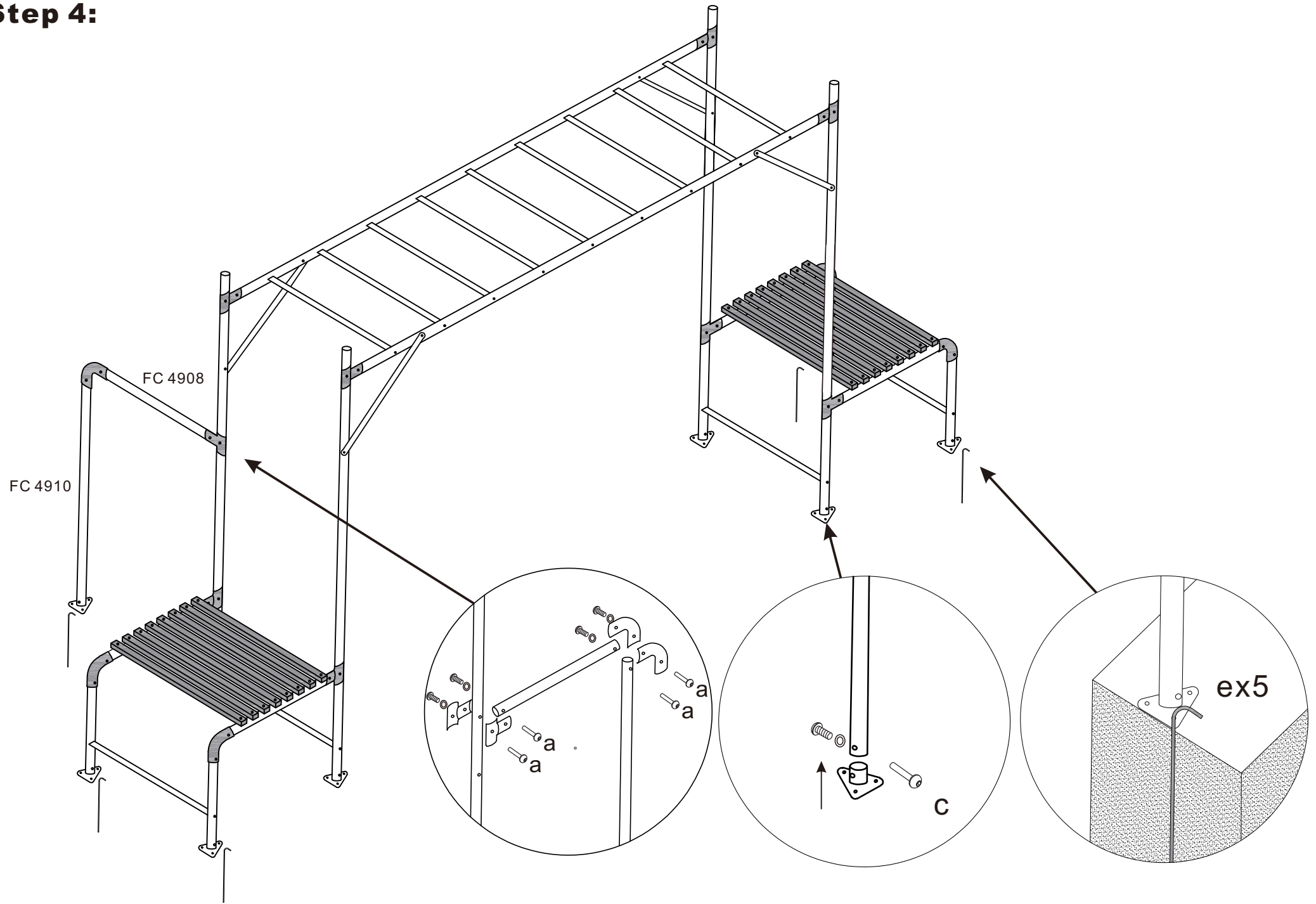
If intend to build the full Junior Jungle set, please find the long leg(FC5002) from package Lk50 and build it as per the instruction below.



POLE DIRECTION:FC5002

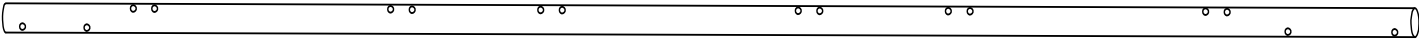
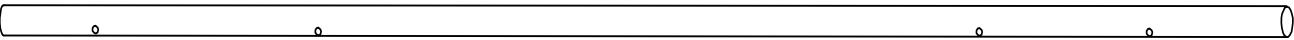
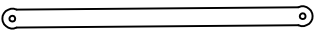
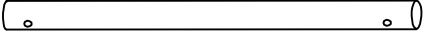
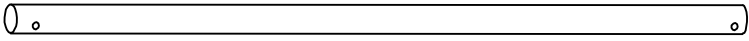
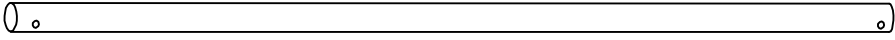





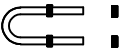



# Step 4:



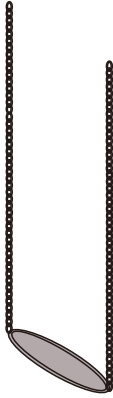
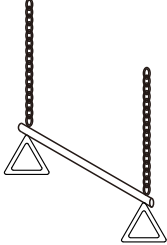
# LK 51 JUNIOR JUNGLE - SWING SET FRAME

## Parts List

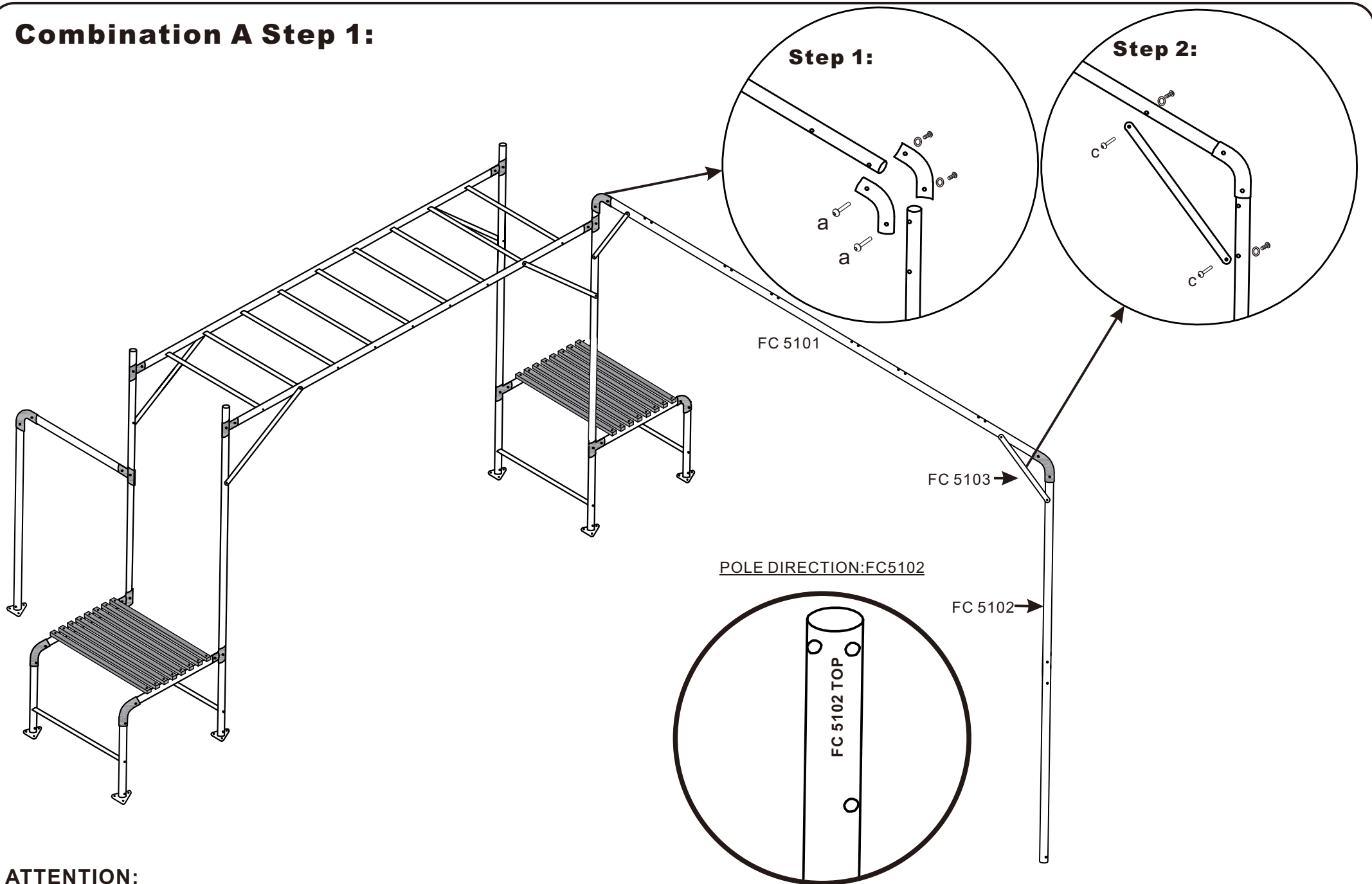
Pictures Reference	Part#	Qty
	FC 5101	1
	FC 5102	1
	FC 5103	2
	FC 4908	2
	FC 4909	1
	FC 4910	1
	BR 01	8
	BR 02	4
	BR 03	3
 M8X48MM	a	12+1
 M8X42MM	c	7+1
 U Bolts	f	6
 Anchor	e	3

# LK 51 JUNIOR JUNGLE - SWING SET FRAME

## Parts List

Pictures Reference	Part#	Qty
 A diagram showing a vertical chain of small circles (links) attached to a horizontal bar. A seat is attached to the bottom of the chain. The seat is a simple, rounded, shaded shape.	FC 5104	2
 A diagram showing two vertical support posts. A horizontal beam connects the two posts near the bottom. The beam is angled downwards from left to right. The posts are made of small circles (links).	FC 5105	1

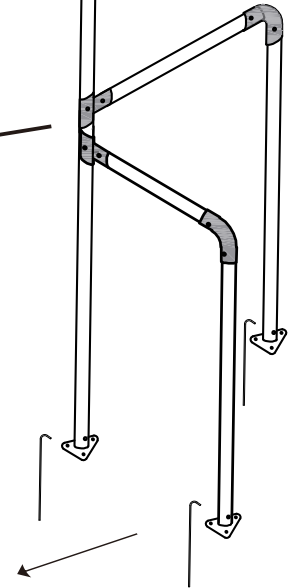
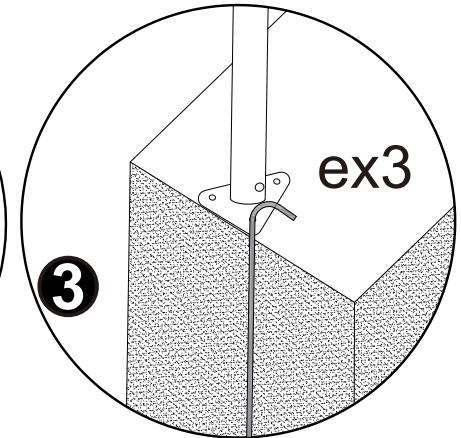
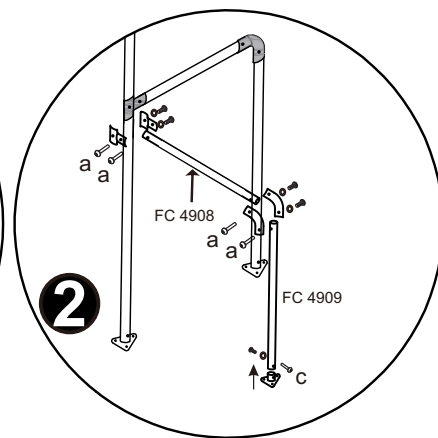
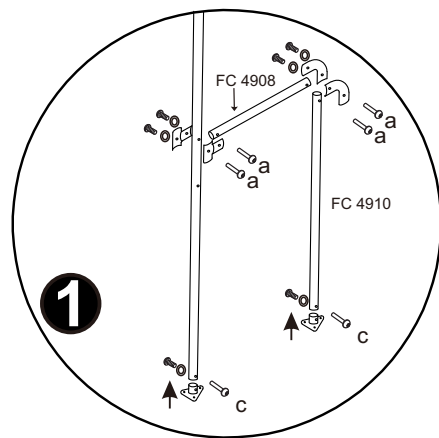
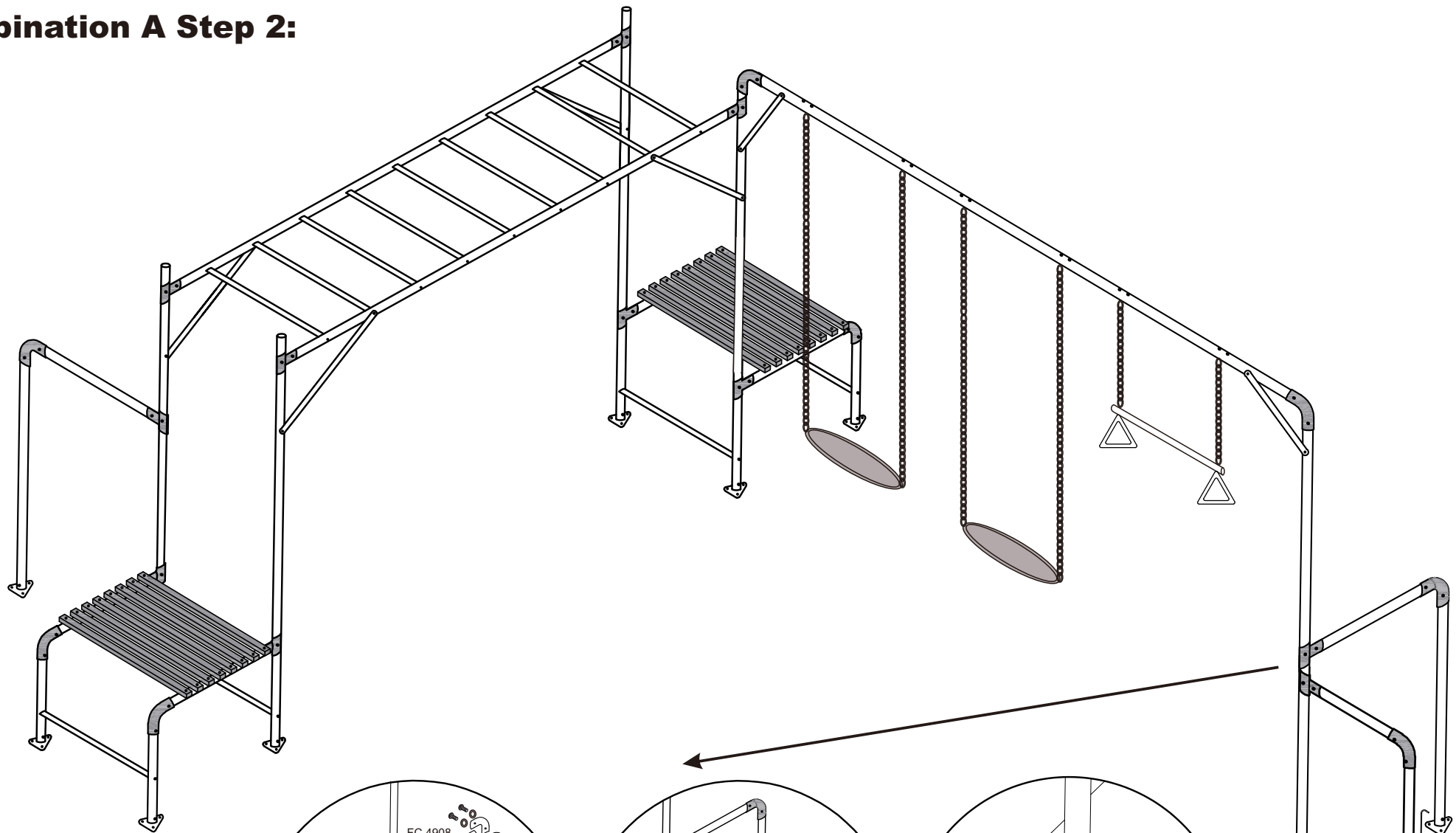
# Combination A Step 1:



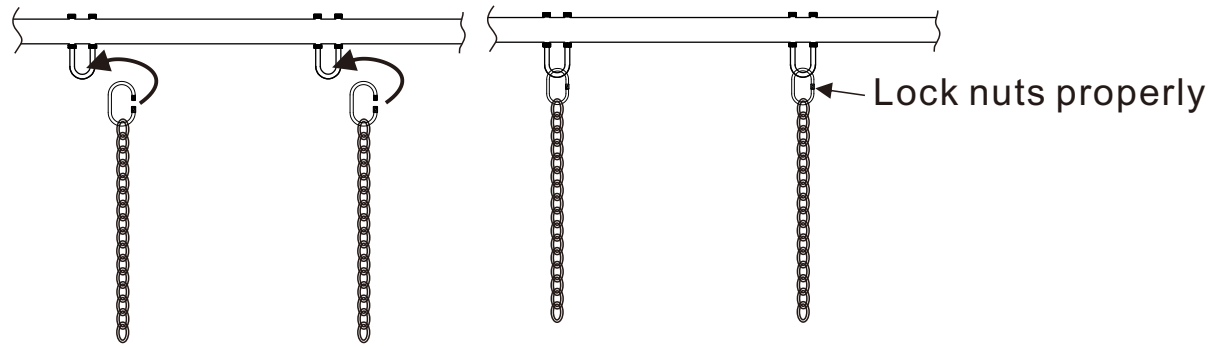
## ATTENTION:

1. DON'T fasten bolts until fully assembled.
2. DON'T over fasten bolts.
3. Before use, please check all bolts and fasten properly.

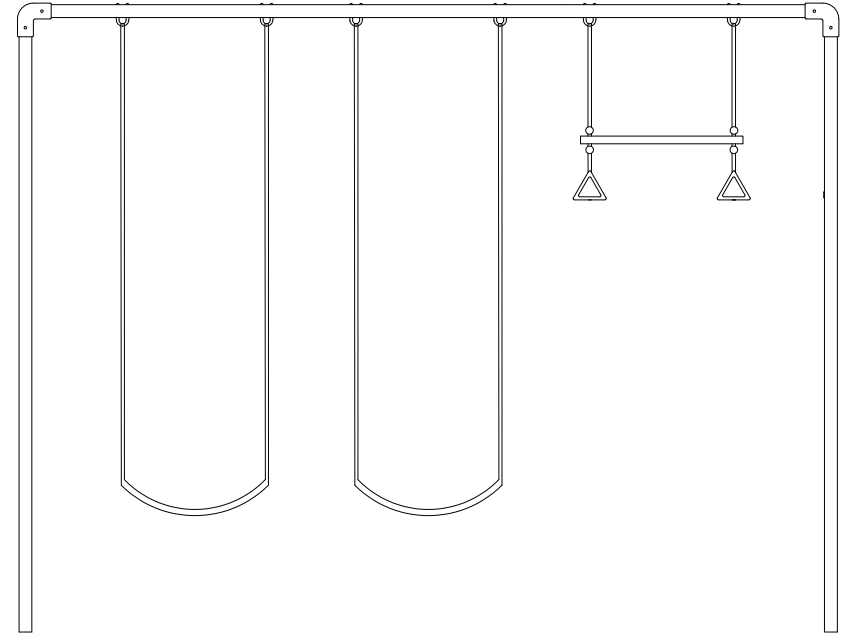
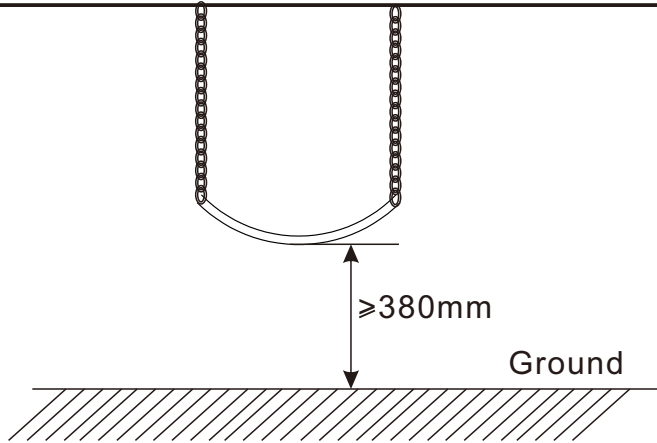
# Combination A Step 2:



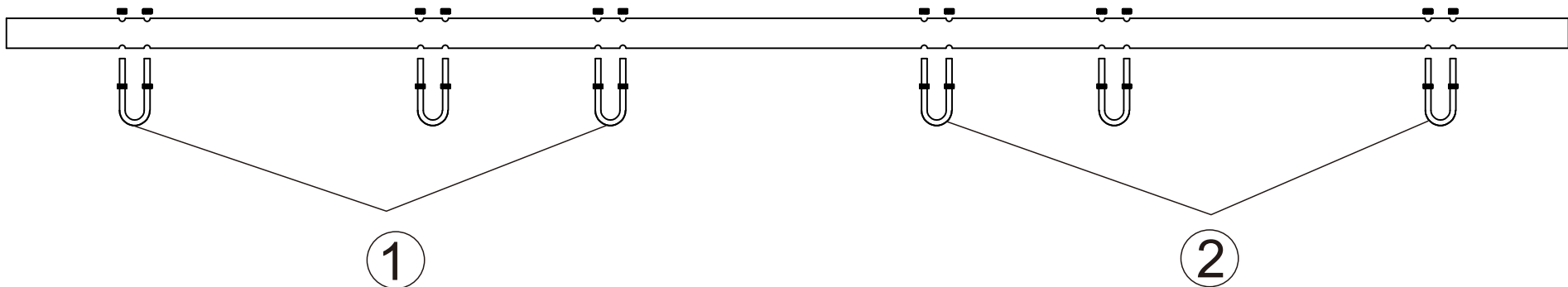
### Step 3: Hang points for Swing seats, Trapeze Bar.



Attention: Lock ring is used for adjusting chain height.



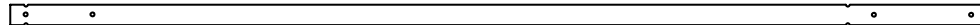
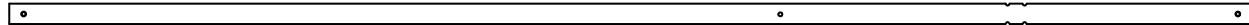
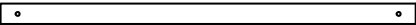
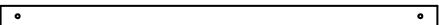
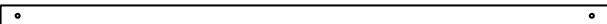

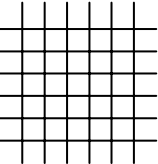


### Option 2: Hang points are available for Web Swing( web swing not included)



# LK 52 JUNIOR JUNGLE - CLIMBING NET&ROPE






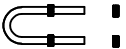

## Parts List

Pictures Reference	Part#	Qty
	FC 5201	1
	FC 5202	1
	FC 5203	1
	FC 5204	1
	FC 4908	2
	FC 4909	1
	FC 4910	1
	CLIMBING ROPE FC 5205	1
	CLIMBING NET FC 5206	1



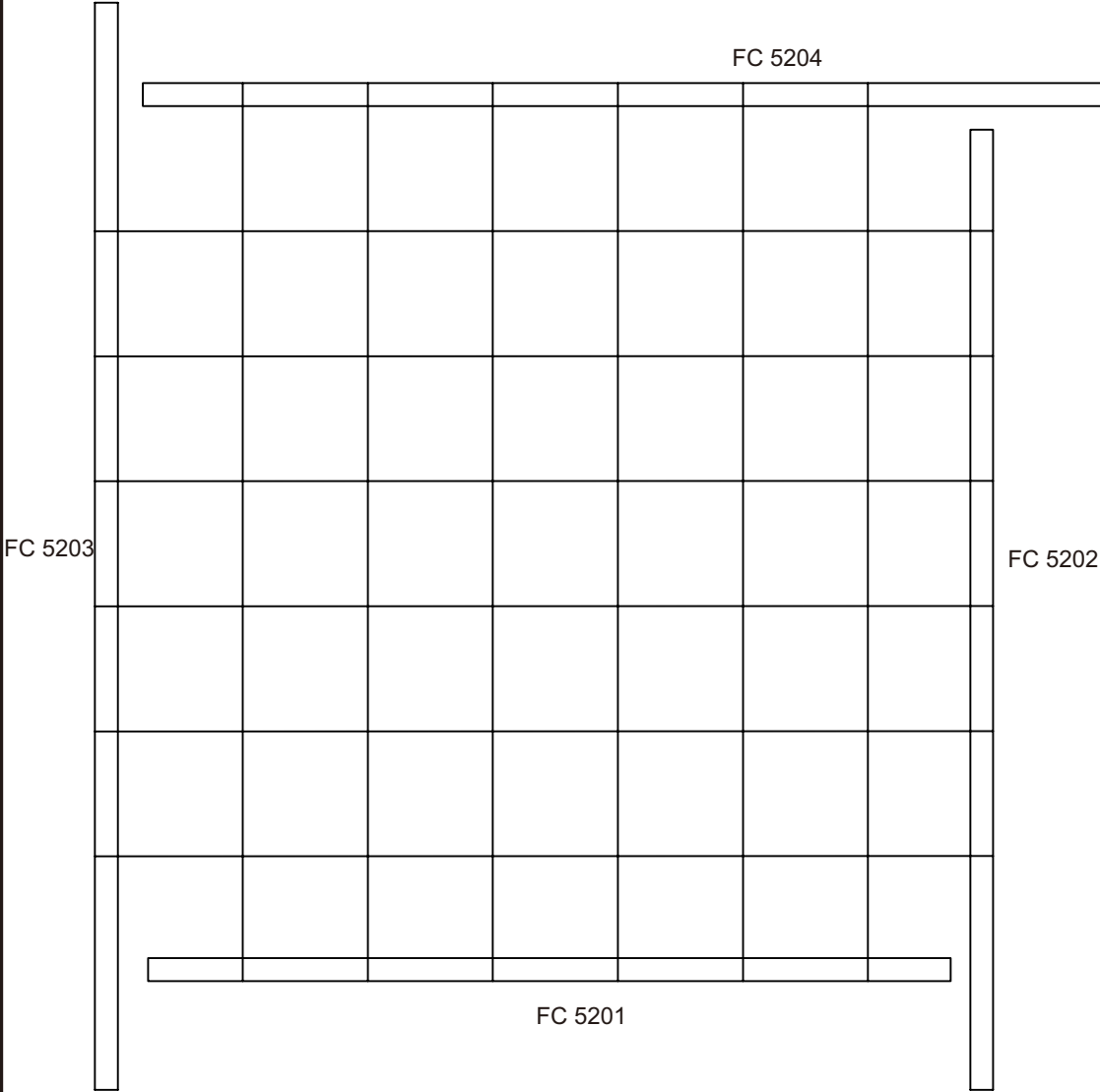
# LK 52 JUNIOR JUNGLE - CLIMBING NET&ROPE

## Parts List

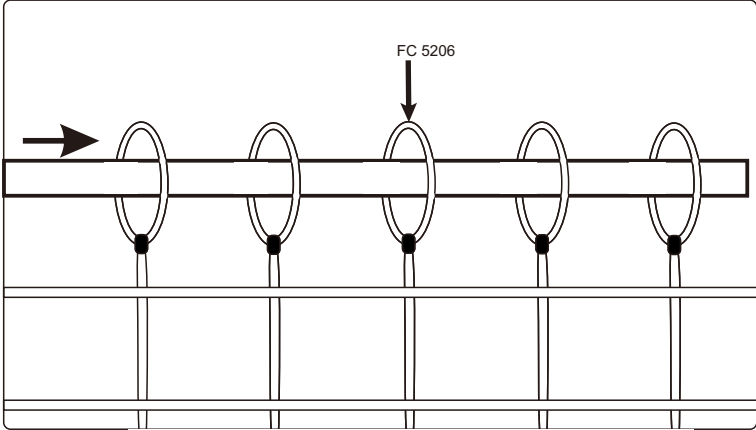
Pictures Reference	Part#	Qty
	BR 01	4
	BR 02	14
	BR 03	4
 M8X48MM	a	18+1
 M8X42MM	c	4
 U Bolts	f	1
 Anchor	e	4

# Combination A Step 2:

Step 1: Lay out Frames (FC5204/5202/5203/5201) and Net (FC5206) as below.

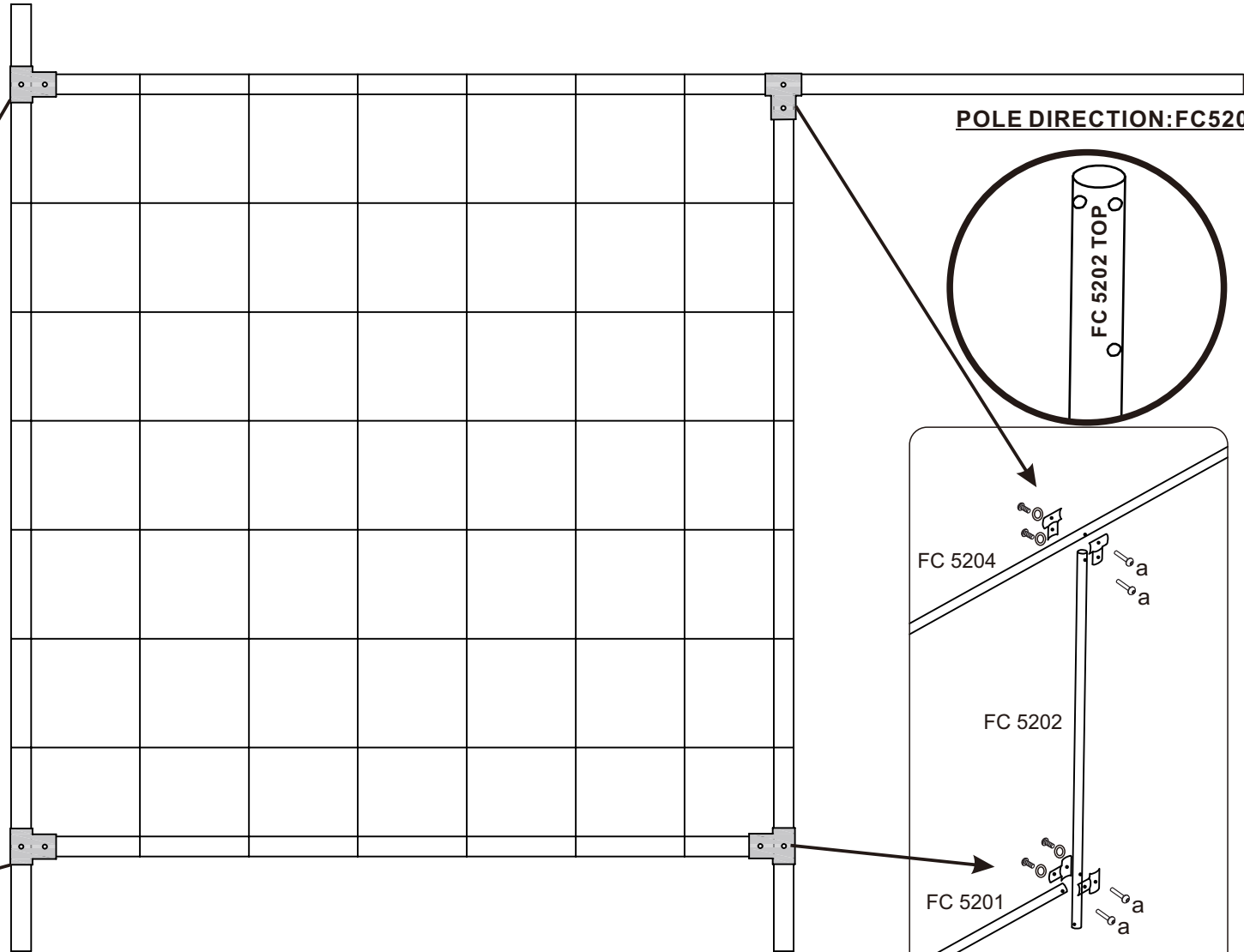
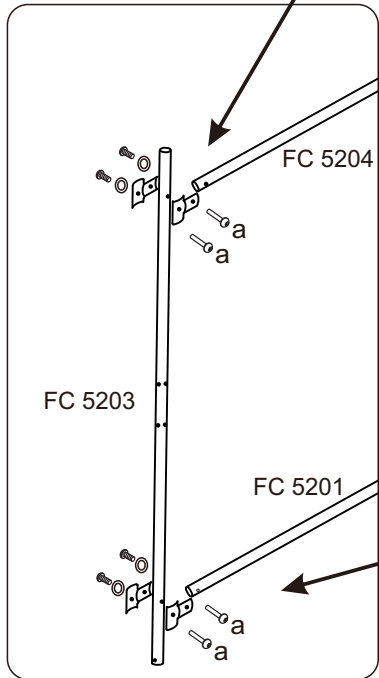
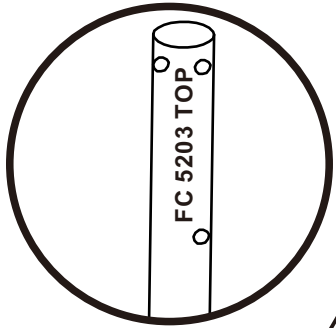


Step 2: Insert frame through net loops as below, Repeat same actions for 4 sides.

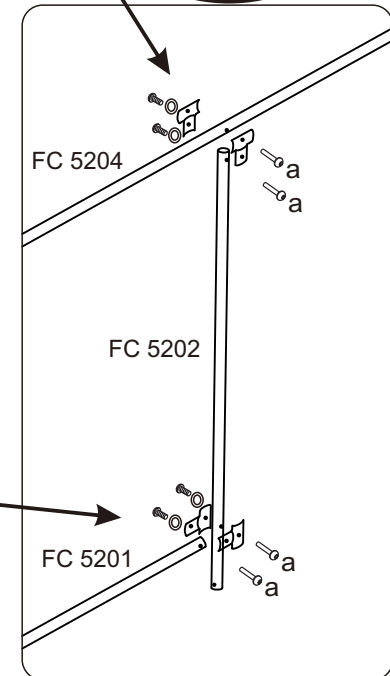
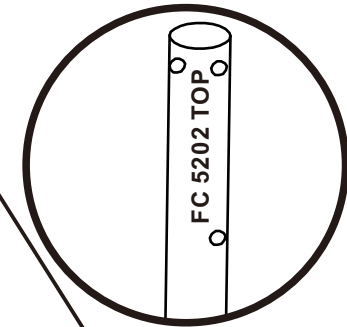


### Combination A Step 3:

POLE DIRECTION:FC5203



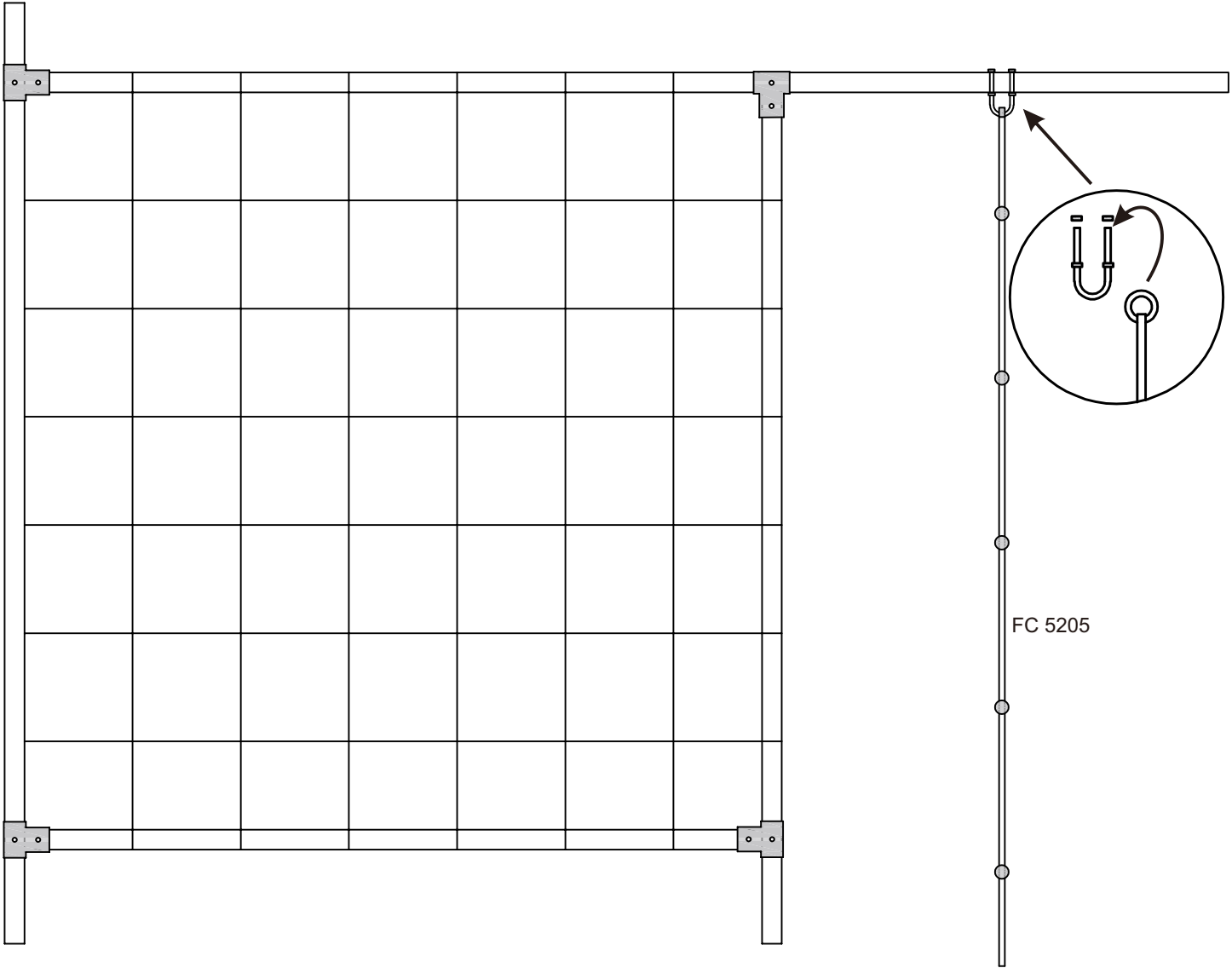
POLE DIRECTION:FC5202



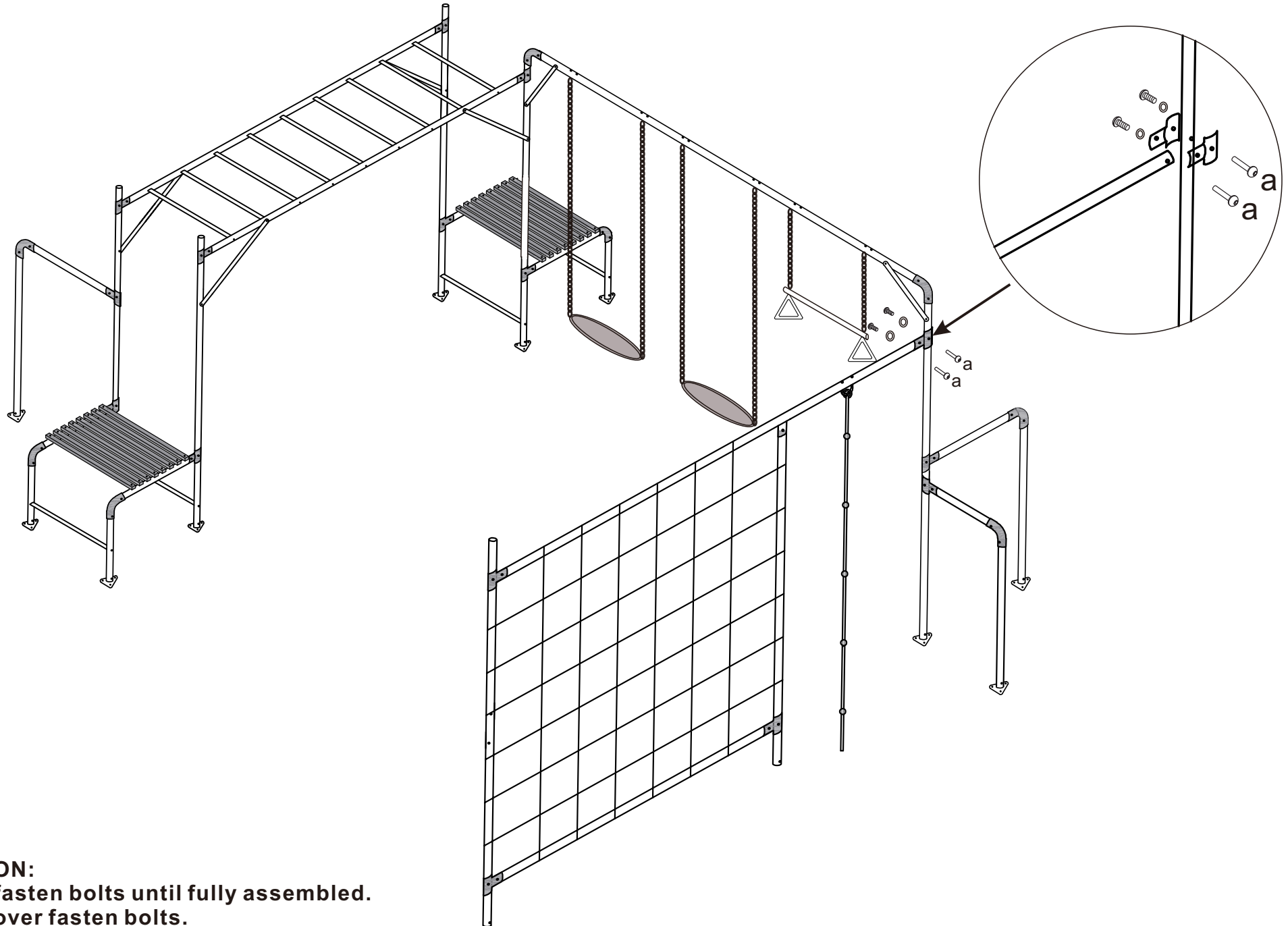
#### ATTENTION:

- 1.DON'T fasten bolts until fully assembled.
- 2.DON'T over fasten bolts.
- 3.Before use, please check all bolts and fasten properly.

**Combination A Step 4:**




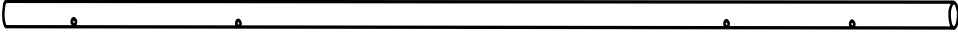
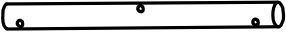


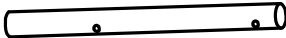

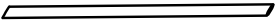



## Combination A Step 5:







### ATTENTION:

1. DON'T fasten bolts until fully assembled.
2. DON'T over fasten bolts.
3. Before use, please check all bolts and fasten properly.

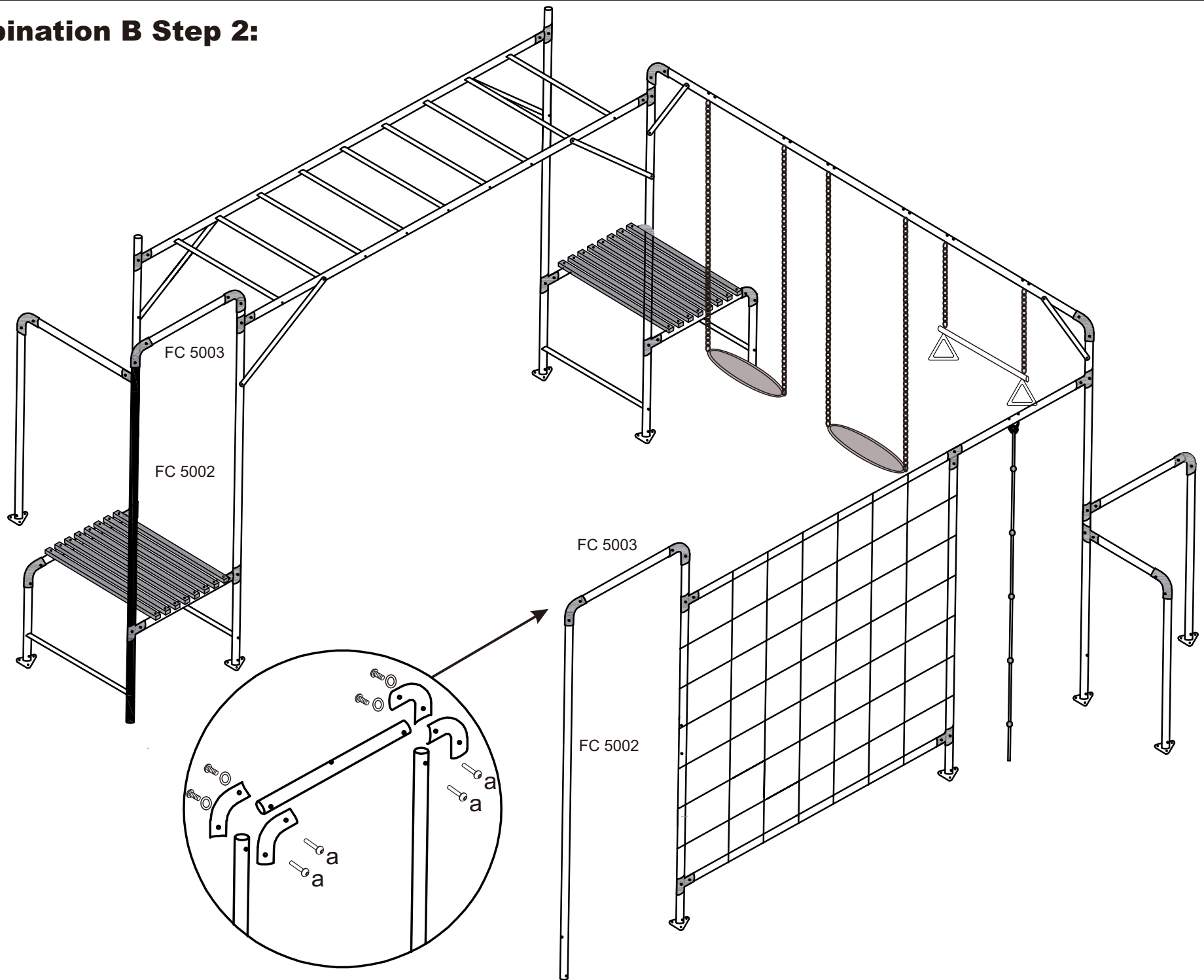
# Combination B -LK 50 JUNIOR JUNGLE - FLYING FOX -Parts List

Pictures Reference	Part#	Qty
	FC 5001	1
	FC 5002	2
	FC 5003	2
	FC 5004	1
	FC 4903	2
	FC 4904	2
	FC 4905	8
	FC 4911	2
	BR 01	12
	BR 02	10
	BR 03	3

## Combination B - LK 50 JUNIOR JUNGLE - FLYING FOX -Parts List

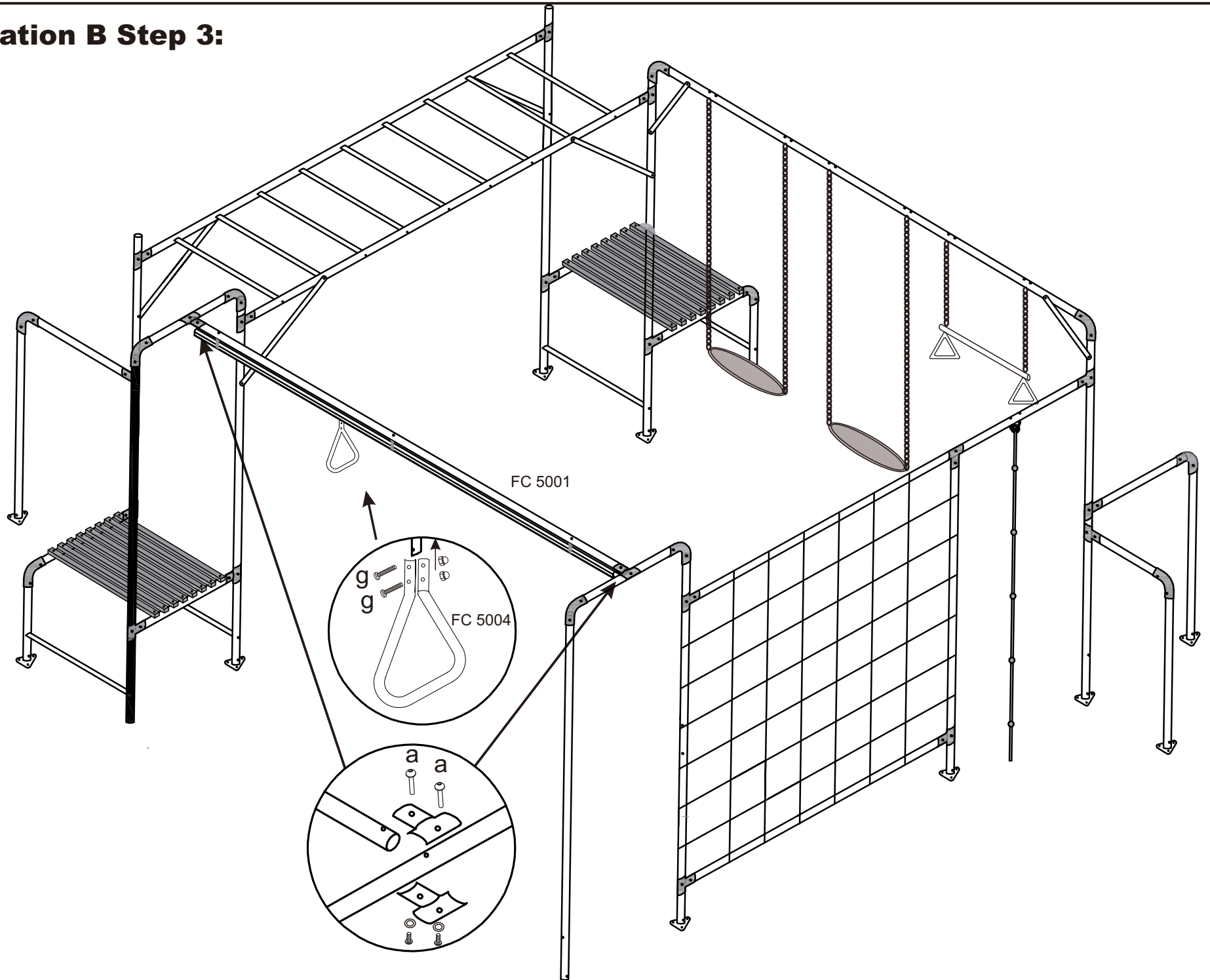
Pictures Reference		Part#	Qty
	M8X50MM	a	22+1
	M8X50MM	b	4
	M8X42MM	c	3
	M8X60MM	d	16+1
	M6X30MM	g	2
	Anchor	e	3

## Combination B Step 2:





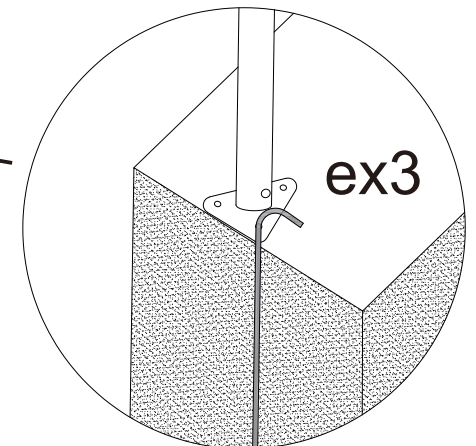
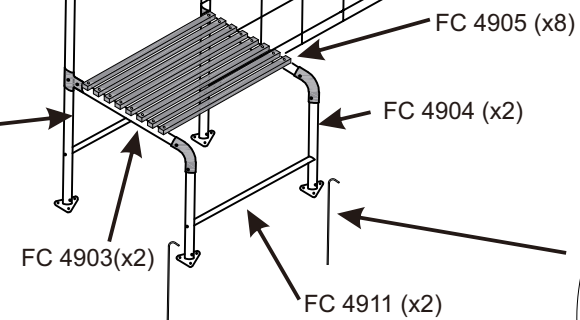
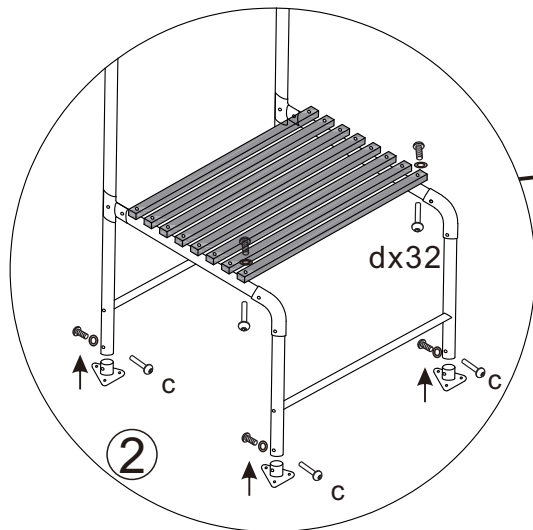
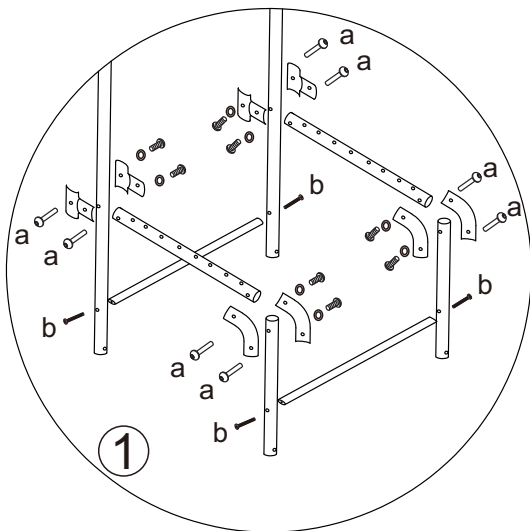
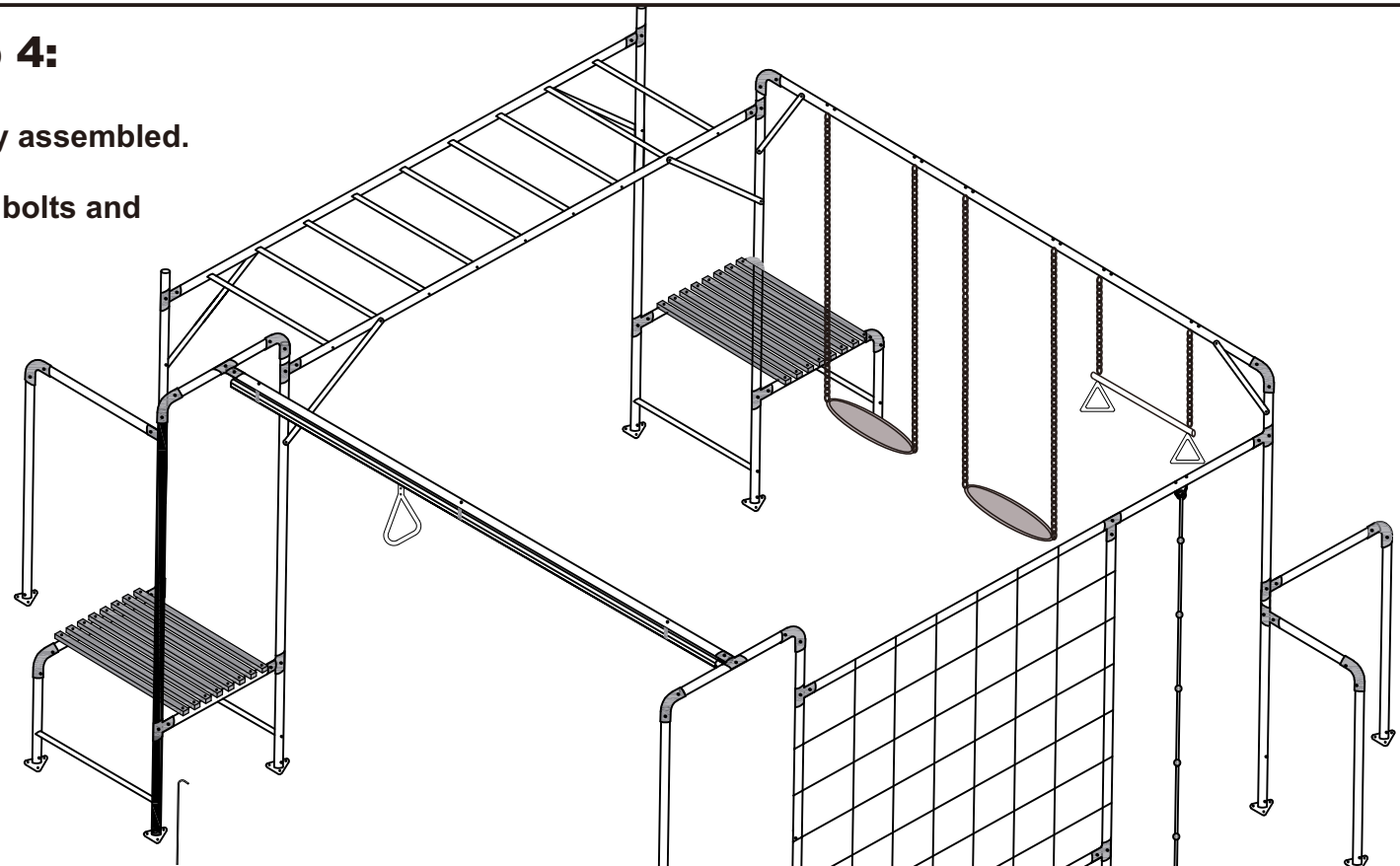
### Combination B Step 3:



## Combination B Step 4:

### ATTENTION:

1. DON'T fasten bolts until fully assembled.
2. DON'T over fasten bolts.
3. Before use, please check all bolts and fasten properly.



# MAINTENANCE

**WARNING:** Please keep for future reference

We recommend regular maintenance to be conducted at the beginning of each season as well as at regular intervals during the usage session for your play equipment to ensure all main parts/fixings are tightly secured, well-oiled and intact to avoid failure, injury or hazards. Failure to check this could result in equipment becoming a hazard or overturning.

It is of particular importance that this is followed at the beginning of each season as well as at regular intervals during the usage season.

1. Check the accessories monthly as well as the play equipment's structure in order to prevent falling risks.
2. Check and retighten screws, bolts and all other hardware elements as necessary.
  - a. Do not over tighten to avoid damaging the thread or cracking the surrounding wood.
3. Check all coverings and bolts for sharp edges and replace when required.
4. Lubricate all moving metallic parts.
5. When signs of oxidation and / or rust appear on various metallic parts of your equipment, sand rusted areas and tubular members and repaint using a non-lead based paint when required.
6. Where applicable: check swing seats, chains, ropes and other means of attachment for evidence of deterioration.
7. Replace when required in accordance with the owner's manual.

If your play structure is disassembled, be sure to clearly mark any attached metal plates to prevent accidents. Check all bolt covers and sharp edges and replace them if necessary.

For longer accessory life, we suggest storing them during the winter.

# WARRANTY

## AUSTRALIAN CONSUMER LAW

Many of our products come with a guarantee or warranty from the manufacturer. In addition, they come with guarantees that cannot be excluded under the Australian Consumer law. You are entitled to a replacement or refund for a major failure and compensation for any other reasonably foreseeable loss or damage.

You are entitled to have the goods repaired or replaced if the goods fail to be of acceptable quality and the failure does not amount to a major failure. Full details of your consumer rights may be found at [www.consumerlaw.gov.au](http://www.consumerlaw.gov.au)

Please visit our website to view our full warranty terms and conditions:

<http://www.lifespankids.com.au/Warranty-Policy-Kids>

Please send all warranty and support inquiries through our ticketing system via the email address: [support@lifespankids.com.au](mailto:support@lifespankids.com.au).

Lifespan Kids

Support Contact Number: 1300 169 600