



Kingsford

3 Station Metal Swing Set Instructions



WARNING!

Not suitable for children under 3 years. Small parts. Choking hazard.

Item PE07



Important!

The owner's manual contains safety, assembly, use and maintenance instructions. The Swing Set must be assembled by an adult who has read and understand this instructions. Keep the packaging away from children and dispose of all packaging before use. Keep instructions for future reference.

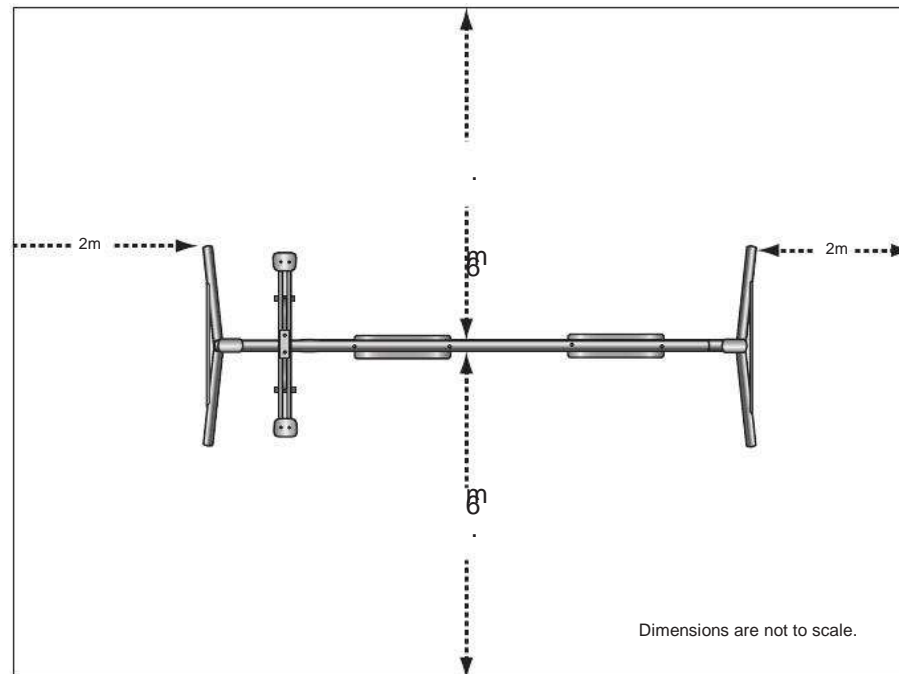
Location and Placement

Proper placement and maintenance of protective surfacing is essential. Be sure to:

1. Extend surfacing at least 2m from the equipment in all directions. Swing set must be placed a minimum of 2m from any structure or obstruction such as a fence, garage, house, overhanging branches, laundry lines, or electrical wires.
2. Do not place your product underneath electrical lines. If you must, ensure that there is a minimum overhead clearance of 2m. See diagram at end of paragraph.

3. Do not install the product over concrete, asphalt, packed earth, grass, carpet, or any other hard surface. A fall on to a hard surface can result in serious injury to the equipment user.

4. For to-fro swings, extend protective surfacing 3.66m in front of and behind the point of suspension of the swing.



WARNING

Installation and Assembly

Only adults should assemble or disassemble this product.

This product must be anchored. Anchors are included with this swing set.

⚠ WARNING! Observing the following statements and warnings reduces the likelihood of serious or fatal injury. Always follow the safety warnings and use common sense when using the product.

⚠ WARNING! To prevent serious injury, do not allow children to play on the product until it is completely assembled and installed.

⚠ WARNING! Do not allow children to walk close to, behind, or in front of moving items.

⚠ WARNING! Do not allow children to twist swing ropes or loop them over the top bar. This may reduce the strength of the ropes.

⚠ WARNING! Teach and instruct children not to swing empty seats.

⚠ WARNING! Instruct children how to sit in the center of the seats and swing with their full weight on the seat.

⚠ WARNING! Instruct children not to use the equipment in any manner other than intended.

⚠ WARNING! Instruct children not to get off the rides while in motion.

⚠ WARNING! Instruct children to dress appropriately. Loose fitting clothing is potentially hazardous when using the product.

⚠ WARNING! Equipment may be slippery when wet. Do not allow children to use the equipment when wet.

⚠ WARNING! Parents should check swing ropes to insure they are secure and cannot be looped back on themselves.

⚠ WARNING! Verify that all swings and ropes are secured at both ends.

⚠ WARNING! Never attach any materials that are not specifically designed for use with this product, such as jump ropes, pet leashes, rope or cords and other chains as these pose a potential strangulation hazard.

⚠ WARNING! Children must remove bike or other sports helmets before playing on the swing set.

Do not exceed the intended weight limit or maximum number of users for

Single Ride (i.e. Swing) 105 lbs (47.64kg)

Double Ride (i.e. Glider) 210 lbs (95.25kg)

Adult supervision of children is required at all times when on or around this product. Never leave children unattended.

Be sure to observe your children and ensure they have the strength and skills to enjoy all the rides safely before using them on their own.

Parents should regularly check openings and surfaces, such as slides, for items that may be hazardous.

Specifications

This product is designed for use by children ages 3+ under adult supervision. The maximum number of children this unit is intended for is 5, with a maximum weight of 105 lbs (47.64 kg) each. The maximum fall height for this swing set is 6' or 72" (1.83m).

Single Ride (i.e. Swing) 105 lbs (47.64kg)

Double Ride (i.e. Glider) 210 lbs (95.25kg)

This product is designed for normal residential use only. This product is not designed for use in day care, nurseries, or other public places. This product is to be assembled by adults only in the manner described within this owner's manual.

This product must be anchored. Anchors are included with the product.

Anchoring

Anchoring is necessary to prevent tipping, lifting, and overturning. The product is recommended anchoring in concrete, especially in soft or sandy soil.

To anchor the product in concrete, dig a hole at least 5" (12.7cm) deep and 10" (25.4cm) to 12" (30.5cm) in diameter. Place the swing leg in the hole, preferably on a brick or stone to keep it from sinking. Be sure the swing leg is set 3" (7.6cm) below the ground. Pour concrete around the legs and fill the hole. Allow the concrete to cure according to the concrete manufacturer's instruction before use .

Assembly

For easier assembly, the product is pre-assembled some of the parts for you. Please check to make sure the parts is tight before allowing children on the product.

Only adults should assemble or disassemble the product. For safety reasons and ease of assembly it is recommended that two adults assemble the product.

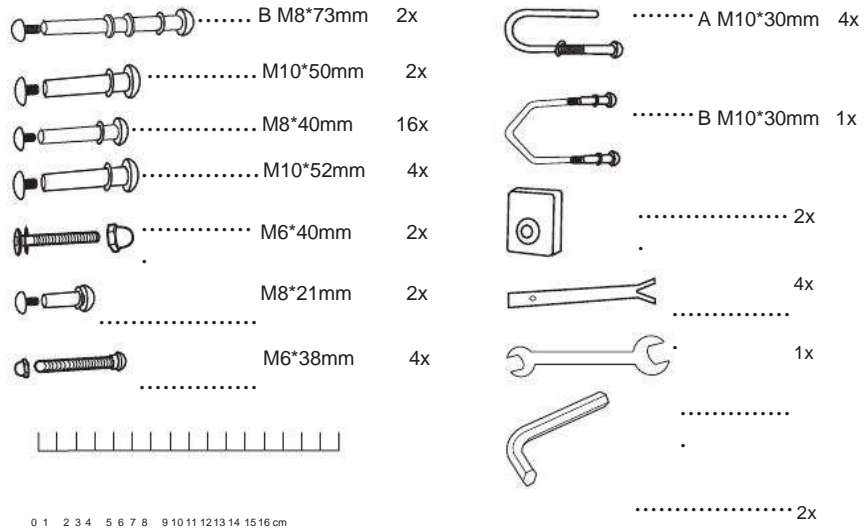
Points to remember when locating and placing the product:

1. Place your product on level ground a minimum of six (6) feet (1.83m) from any structure or obstruction such as a fence, garage, house, overhanging branches, laundry lines, or electrical wires.
2. Do not install home playground equipment over concrete, asphalt, packed earth, grass, carpet, or any other hard surface. A fall on to a hard surface can result in serious injury to the equipment user.
3. Do not place your product underneath electrical lines. If you must, ensure that there is a minimum overhead clearance of six (6) feet (1.83m).
4. The product should be assembled near the location it will be permanently anchored.
5. The distance between ground and swing seat, maximum distance is 35cm, The distance can be adjust by swing rope . Swing assembly for reference .

WARNING

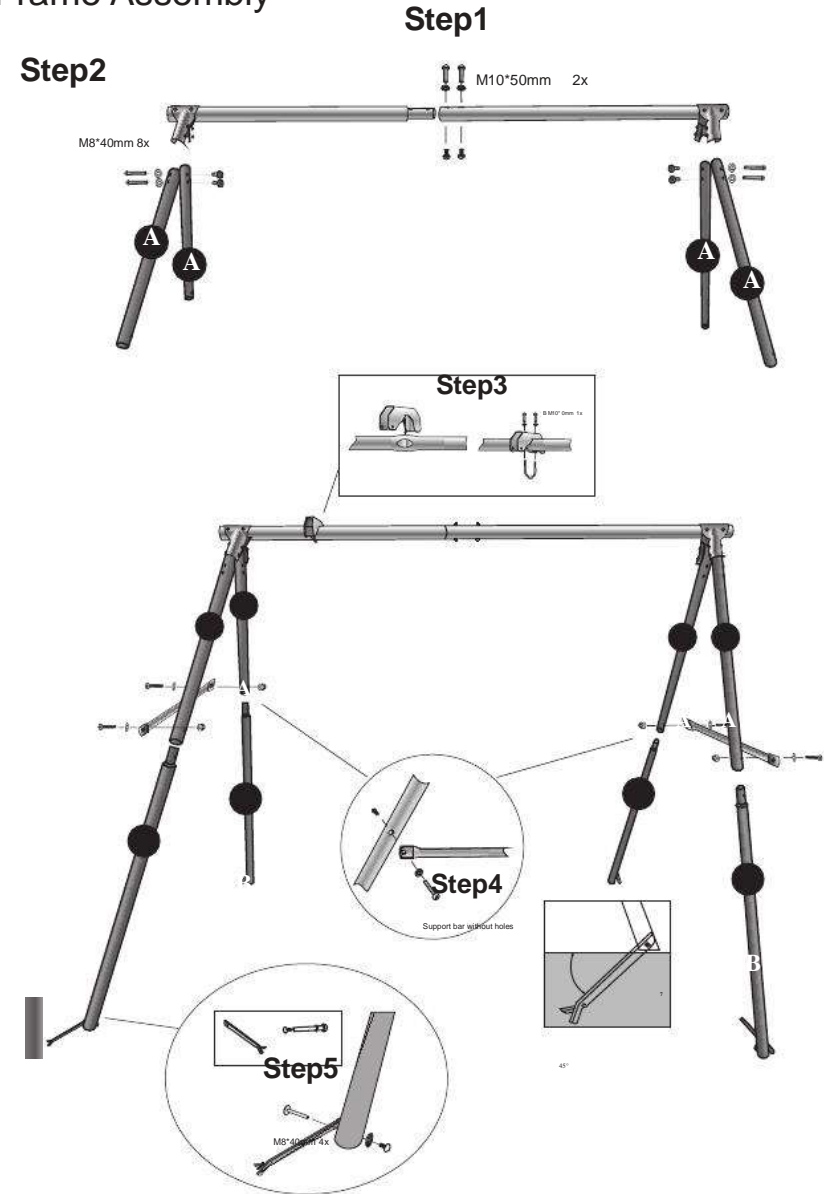
Unexpected movement (i.e.: tipping, lifting and overturning) of the product may result in serious injury or death. The product must be securely anchored before use.

Tools And Parts



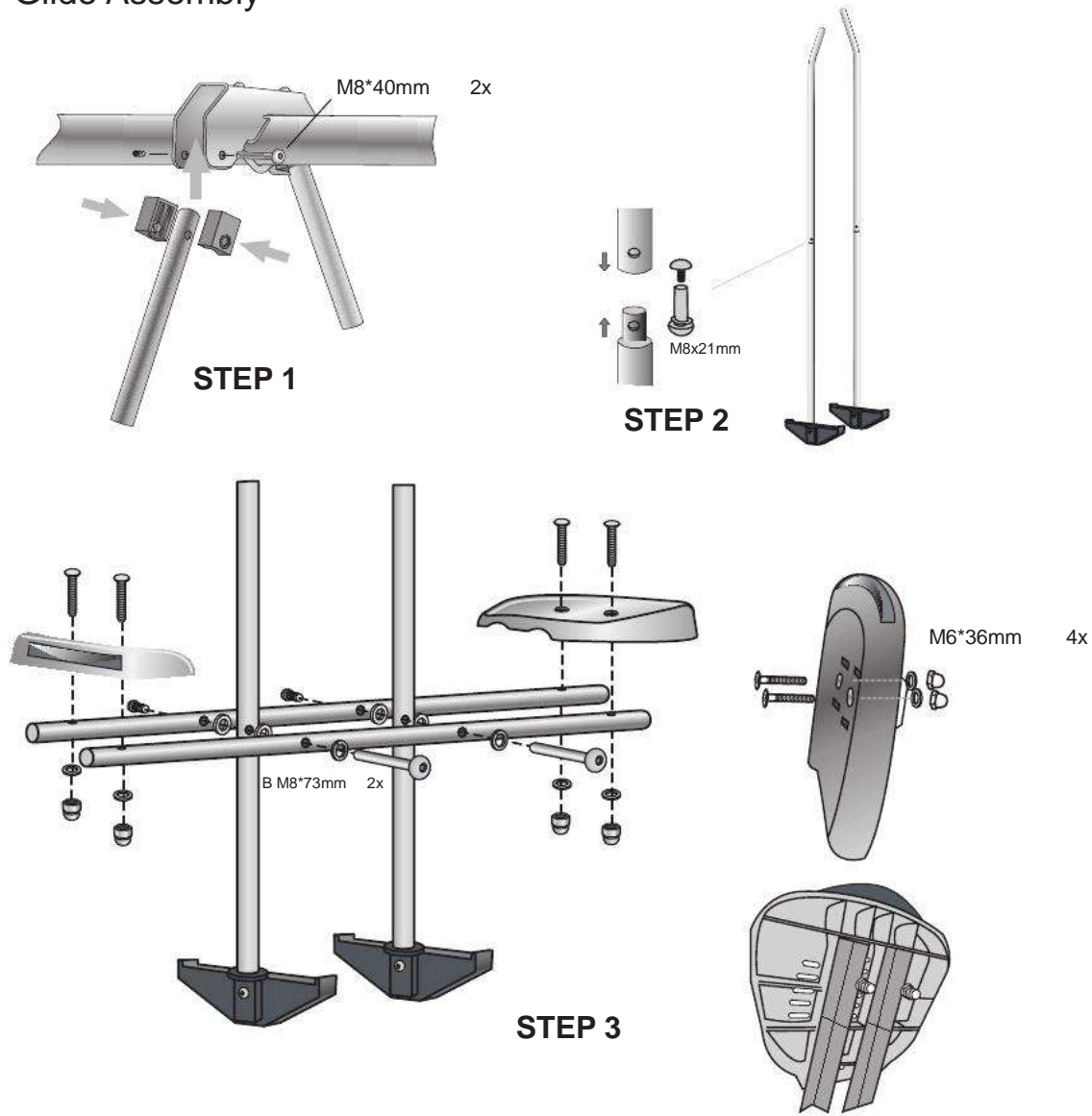
Assembly

Frame Assembly

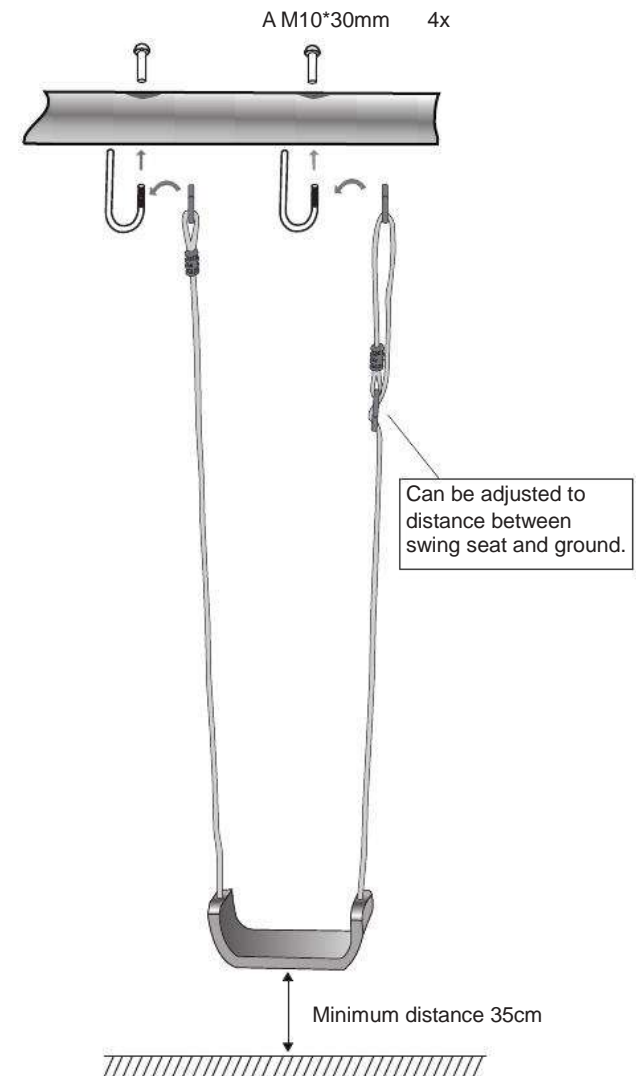


Assembly

Glide Assembly



Swing Assembly



Care and Maintenance

At the beginning of each play season:

1. Tighten all hardware.
2. Lubricate all metallic moving parts per manufacturer's instructions.
3. Check all protective coverings on bolts, pipes, edges and corners. Replace if they are loose, cracked or missing.
4. Check all moving parts including swing seats, ropes, cables and chains for wear, rust or other deterioration. Replace as needed.
5. Check metal parts for rust. If found, sand and repaint using a non lead-based paint.
6. Re-install any plastic parts, such as swing seats or any other items that were removed for the cold season.
7. Rake and check depth of all loose fill protective surfacing material to prevent compaction and to maintain appropriate depth. Replace as necessary.

Warranty

AUSTRALIAN CONSUMER LAW

Many of our products come with a guarantee or warranty from the manufacturer. In addition, they come with guarantees that cannot be excluded under the Australian Consumer Law. You are entitled to a replacement or refund for a major failure and compensation for any other reasonably foreseeable loss or damage.

You are entitled to have the goods repaired or replaced if the goods fail to be of acceptable quality and the failure does not amount to a major failure. Full details of your consumer rights may be found at www.consumerlaw.gov.au

Please visit our website to view our full warranty terms and conditions:

<http://www.lifespanonline.com.au/Warranty-Policy>

Contact Us

Please visit our website at: www.lifespanonline.com.au

Email us at: info@lifespanfitness.com.au

This manual may be subject to change. Please view our website www.lifespanonline.com.au for the most recent version of this manual