

# USER MANUAL

## Swing Seat – Green

---



Find the Digital  
Manual Online



**WARNING:** The disassembled product may contain small parts which pose a choking hazard to children under 3.

### IMPORTANT:

The owner's manual contains safety, assembly, use and maintenance instructions. This product must be assembled by an adult who has read and understood these instructions. Keep the packaging away from children and dispose of all packaging before use.

*For the installer and your children's safety, it is important to fully read and understand the instructions and safety hazards before commencing the assembly of the product.*

# ASSEMBLY INSTRUCTIONS

Age Range: Above 36 months  
To be retained for future reference.

## ! IMPORTANT:

- Before each use, please check product carefully for damage.
- Do not allow use of swing seat until it has been installed properly by an adult, according to these instruction.
- Never climb on swing seat.
- By no means use the swing seat as an infant seat.
- Only one child in the swing seat at a time.
- Adult supervision required to make sure that children play safely.
- Make sure your child is dressed suitably to stop possible hazards happening while using the swing seat. Your child should not wear loose clothing such as ponchos or scarves. Apparel should include well fitting shoes.
- Evaluate the following safety tips with your child before use:
  - Do not walk too close to, in front of, or behind the swing seat while it is in use.
  - Do not get out of the swing while it is in motion.
  - Do not push the swing when it is not occupied.
  - Do not twist or spin the swing seat.
  - Do not stand in the swing seat.

**WARNING!** For outdoor domestic use only

**WARNING!** Adult supervision at all times.

**WARNING!** This item is to be assembled and disassembled by an adult.

**WARNING!** Head or other injuries may result when falling onto hard surfaces.

**WARNING!** Never place swing over concrete, asphalt, wood or other hard surfaces.

**WARNING!** At all times use the restraint system.

**WARNING!** Never leave child unattended.

**WARNING!** Max. user weight 50 kgs.

**WARNING!** Not suitable for usage until fully assembled- small parts-choke hazard.

**WARNING!** To prevent falls, use restraint system at all times.

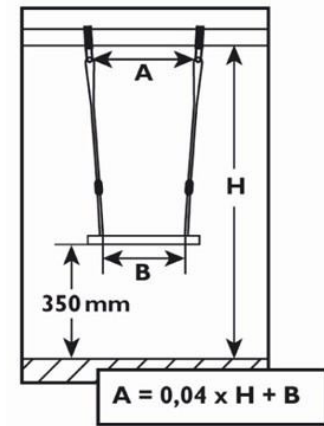
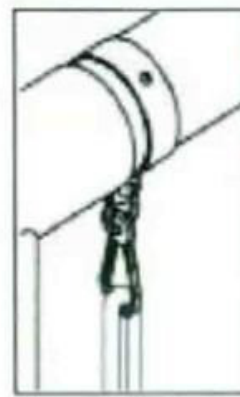
**WARNING!** Never leave child unattended.

**WARNING!** Not to be used by children under 36 months.

## 1. Location of apparatus

Minimal space in mm to respect between apparatus and structure of portico.

Space in millimetres between	Free elements	Semi-flexible elements	Endowed with stiff suspension	Neighbouring Structure of swings
Free balance elements	450	450	450	300
Semi-flexible elements	450	300	300	300
Endowed with stiff suspension	450	300	300	300



## 2. Fixation of apparatus on the hook

The location of the hook carbine must be perpendicular in the axis of the beam of the portico, so that the balance of apparatus is correctly made.

The toy must be placed on a level surface at least 2 meter from any structure or obstruction such as a fence, garage, house, overhanging branches, laundry lines or electrical wires.

The toy shall not be installed over concrete, asphalt or any other hard surface.

## 3. Control and Maintenance

Control regularly the state of the elements of suspension. Verify monthly the good tightening of all screws and nuts, and systems of fixation of apparatus, to prevent the falling risks replace all the damaged masks or missing nuts. Remove apparatus during the wintry period to avoid any premature degradation concerning the bad weather, from the slightest appearance of degradation of apparatus, and at least after 24 months of exposure outdoors, replace them by apparatus of the same conception. The change must be more frequent in zones with strong period of sunshine.

## AUSTRALIAN CONSUMER LAW

Many of our products come with a guarantee or warranty from the manufacturer. In addition, they come with guarantees that cannot be excluded under the Australian Consumer Law. You are entitled to a replacement or refund for a major failure and compensation for any other reasonably foreseeable loss or damage.

You are entitled to have the goods repaired or replaced if the goods fail to be of acceptable quality and the failure does not amount to a major failure. Full details of your consumer rights may be found at [www.consumerlaw.gov.au](http://www.consumerlaw.gov.au).

Please visit our website to view our full warranty terms and conditions:

[www.lifespankids.com.au/Warranty-Policy-Kids](http://www.lifespankids.com.au/Warranty-Policy-Kids)