

USER MANUAL

Junior Jungle Kakadu



Find the Digital
Manual Online



WARNING: The disassembled product may contain small parts which pose a choking hazard to children under 3.

IMPORTANT:

The owner's manual contains safety, assembly, use and maintenance instructions. This product must be assembled by an adult who has read and understood these instructions. Keep the packaging away from children and dispose of all packaging before use.

For the installer and your children's safety, it is important to fully read and understand the instructions and safety hazards before commencing the assembly of the product.

NOTE:

This manual should not be used to guide your purchasing decision. Your product, and the contents inside its carton, may vary from what is listed in this manual. This manual may also be subject to updates or changes. Updated manuals are available through our website at www.lifespankids.com.au.

TABLE OF CONTENTS

I. GENERAL SAFETY INSTRUCTIONS	3
1.1 Danger for Children	4
1.2 Risk of Injuries	4
1.3 Product Damage	4
1.4 Assembly Advice	5
II. SAFETY INSTRUCTIONS	6
III. ASSEMBLY INSTRUCTIONS	8
IV. MAINTENANCE	22
V. CLEANING	23
VI. WARRANTY	23

I. GENERAL SAFETY INSTRUCTIONS

NOTE: This product is intended for outdoor domestic use only.

WARNING!

- This product must be assembled by an adult.
- Children must not use the product until properly installed.
- Not suitable for children under 3 years.
- Small parts. Choking hazard.
- Maximum fall heights: 2230mm
- Max user weight for each apparatus:

Monkey Swing: 60kg	Trapeze: 80kg
Knotted Rope: 60kg	Gym Rings: 60kg
Rung Ladder: 60kg	Belt Swing: 80kg

1. The product should be installed over impact absorbing surfaces such as sand, wood-bar chips, rubber and foam, should not be installed over concrete, asphalts or any hard surface.

2. Anchors shall be placed level with or under the ground in order to reduce tripping hazards.

3. If these checks are not carried out, the equipment could overturn or otherwise become a hazard. Apply oil to metallic moving parts. Check all overrings and bolts for sharp edges and replace when required. Check swing seats, chains, ropes and other means of attachment for evidence of deterioration. Replace when required in accordance with the manufacturer's instructions. Sand rusted areas and tubular members and repaint using a non-lead based paint when required.

1.1 DANGER FOR CHILDREN



WARNING: No eating while using the product at the same time.

- Children do not recognize potential dangers from this product. The unassembled product must be stored out of reach of children and pets.
- This product may only be used with adult supervision at all times.
- The packaging material is not suitable for children due to choking and suffocation hazards.

1.2 RISK OF INJURIES

- Do not use the product if it is damaged or defective. If it is damaged or defective, please contact a qualified technician.
- Check the product before each use. Defective parts must be changed immediately as they can impair the function and the safety of the product.
- No more than one person to use the product at the same time.
- Use the product only on even and non-slipping surfaces. Never use it near water and keep sufficient space around for safety.
- Beware of moving parts such as the springs or elastics, which could catch your arms and legs. Do not place any objects or body parts in the product's openings.

1.3 PRODUCT DAMAGE

- Do not make alterations to the product. Only use original spare parts. Qualified technicians should only carry out repairs – improper repairs can lead to danger for the user. Use this product only as described in this manual.

1.4 ASSEMBLY ADVICE

- The assembly of the product must be done carefully and by an able-bodied adult. If in any doubt, ask a technically qualified person.
- Before you start with the assembly, read the instructions carefully.
- Remove all packaging materials and lay down all parts on an open space. This gives you an overview and simplifies the assembly procedure.
- Check with the parts list that all parts are available. Dispose of the packaging material when the assembly is completed.
- Beware that when using tools or doing technical work, there is always a risk of injuries. Assemble the product with care.
- Create a danger free environment; for example, do not let tools lay around the workspace. Store the packaging material in a way that cannot cause any danger.
- After installing the product according to the instruction manual, ensure all screws, bolts and nuts are correctly installed and tightened and that all joints are secure.
- Reasonable space must be kept between the product and possible sources of danger, such as other equipment swimming pools and fences.
- The assembly of the product must be done carefully and by an able-bodied adult. If in any doubt, ask a technically qualified person.
- The product must be assembled correctly before use.
- Your play structure must be installed on a flat horizontal surface with a minimum of 2m between it and any structure or obstacle such as a fence, garage house, tree branches, cloths lines, or electric cables.
- Modifications made to the original product shall be carried out according to the instructions of the manufacturer.
- The product must always be used in a well-lit area.
- Do not place anything under the product.
- Use gloves during assembly and disassembly.
- Outdoor products should be equipped with a device that in strong wind conditions avoid displacement due to wind (e.g. steel bars in the ground or loads like sand bag or water bags).
- In certain areas during winter, snow buildup and the low temperatures can damage the product. It is recommended to remove snow buildup and to store the product indoor.
- We strongly recommend visual inspections every 3 months to insure the integrity of the entire product. Replace any parts as necessary.

II. SAFETY INSTRUCTIONS

- The safety instructions of the product should always be considered and obeyed.
- Using the product may result in permanent injury such as paralysis, or even death. Falling off the product may lead to injuries, particularly to the back, neck or head.
- No clothes with hooks or loose parts should be worn or carried during product usage in order to avoid hooks getting caught and causing injury.
- Strong winds can result in the product being blown away or damaged. If strong winds are predicted the product must be disassembled and moved to a sheltered area or sufficiently anchored down.
- Moving the product whilst assembled may affect the integrity of the frame. Should it be necessary to move the product, please consider the following:
 1. Force to be evenly spaced around the frame to lift the product off the ground
 2. The product must be carried horizontally
 3. Use caution whilst moving as it could bend the product frame.
- Users should be familiar with the assembly manual. This manual contains assembly guidance; selected precautionary measures as well as recommendations for servicing and maintenance of the product, in order to ensure a secured and fun use of the product.
- Wear clothing free of drawstrings hooks loops or anything that could get caught in the basketball set or safety enclosure.
- It is the responsibility of the owner or the supervisor to guarantee that all users of the product are informed sufficiently of all warning references and safety instructions.

For the supervisor

The supervisor's role is to make sure users are aware of all safety precautions and that these precautions are enforced. When a supervisor is not available, the product may be disassembled or covered to limit access.

- The product can be only used if it is in good condition, worn or damaged parts should be replaced.
- Objects, which could be dangerous to the user, should be away from the product.
- Avoid unauthorized and unsupervised use of the product.
- Do not use the product under influence of alcohol or drugs (incl. medicines).
- Do not use the product as a jumping platform for other articles.

Consumer Information Sheet for Playground Surfacing Materials

The US Consumer Product Safety Commission (CPSC) estimates that about 100 000 playground equipment-related injuries resulting from falls to the ground surface are treated annually in US hospital emergency rooms. Injuries involving this hazard pattern tend to be among the most serious of all playground injuries, and have the potential to be fatal, particularly when the injury is to the head. The surface under and around playground equipment can be a major factor in determining the injury-causing potential of a fall. It is self-evident that a fall on to a shock-absorbing surface is less likely to cause a serious injury than a fall onto a hard surface. Playground equipment should never be placed on hard surfaces, such as concrete or asphalt, and while grass may appear to be acceptable, it may quickly turn to hard-packed earth in areas of high traffic. Shredded bark mulch, wood chips, tine sand or the gravel are considered to be acceptable shock absorbing surfaces when installed and maintained at a sufficient depth under and around playground equipment.

Table B.1 Lists the maximum height from which a child would not be expected to sustain a life-threatening head injury in a fall on to four different loose-fill surfacing materials if they are Installed and maintained at depths of 150 mm, 225 mm and 300 mm.

Table B.1 Fall height in millimetres from which a life-threatening head injury would not be expected.

Type of Material	Depth of surfacing material		
	150mm	225mm	300mm
Double Shredded Bark Mulch	1800	3000	3300
Wood Chips	1800	2100	3600
Fine Sand	1500	1500	2700
Fine Gravel	1800	2100	3000

However, it should be recognised that all injuries due to falls cannot be prevented, no matter what surfacing material is used.

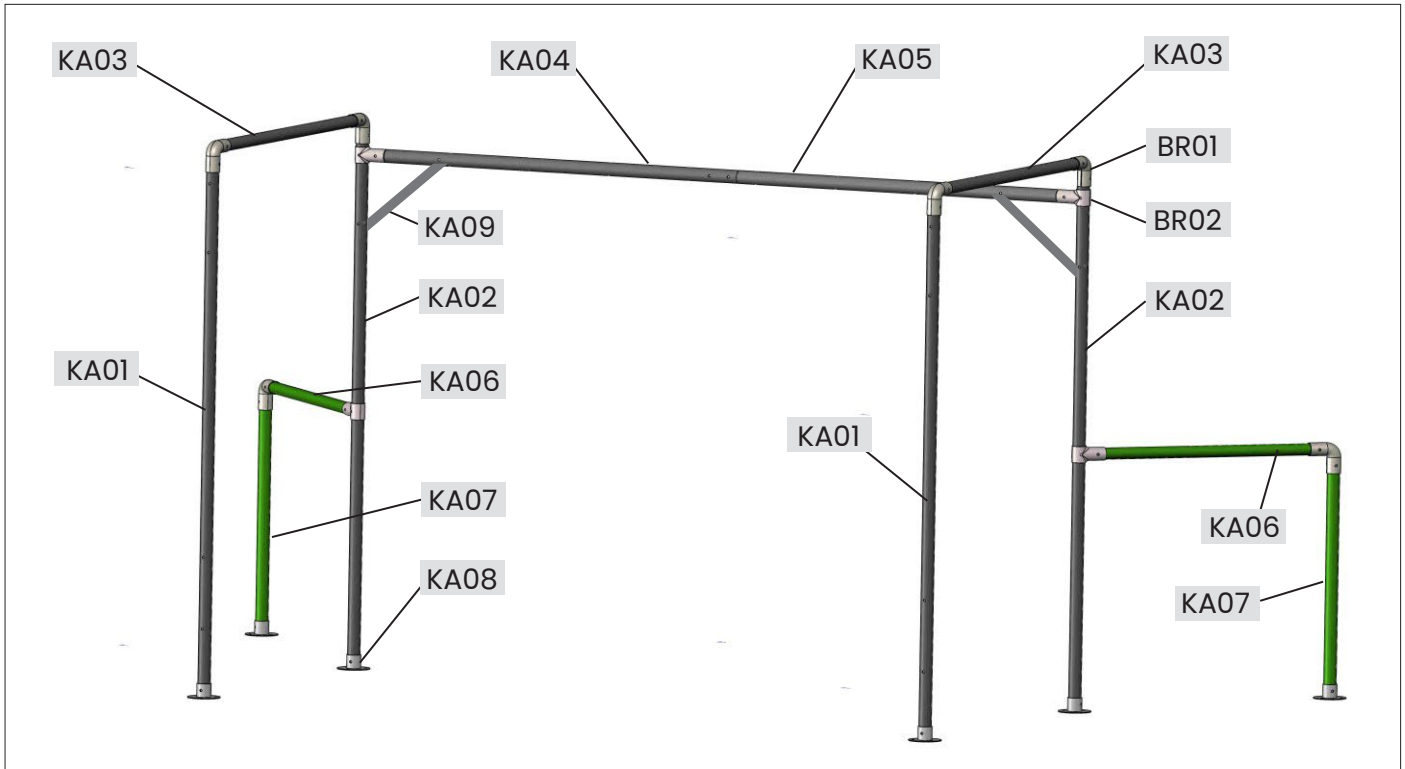
It is recommended that a shock absorbing material extend a minimum of 1 800 mm in all directions from the perimeter of stationary equipment such as climbing frames and slides. However, because children may deliberately jump from a moving swing, the shock absorbing material should extend in the front and rear of a swing a minimum distance of twice the height of the pivot point measured from a point directly beneath the pivot on the supporting structure.

This information is intended to assist in comparing the relative shock-absorbing properties of various materials. No particular material is recommended over another. However, each material is only effective when properly maintained. Materials should be checked periodically and replenished to maintain correct depth as determined necessary for the equipment in question. The choice of a material depends on the type and height of the playground equipment, the availability of the material in a particular area, and its cost.

III. ASSEMBLY INSTRUCTIONS

1. SET UP FOR THE FIRST PART

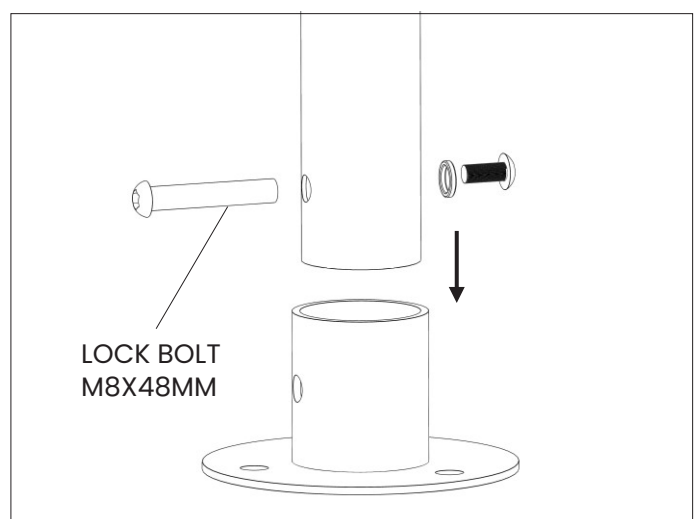
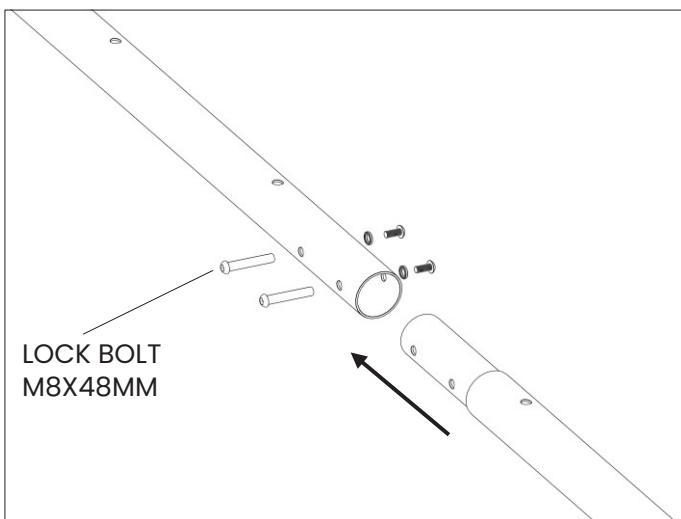
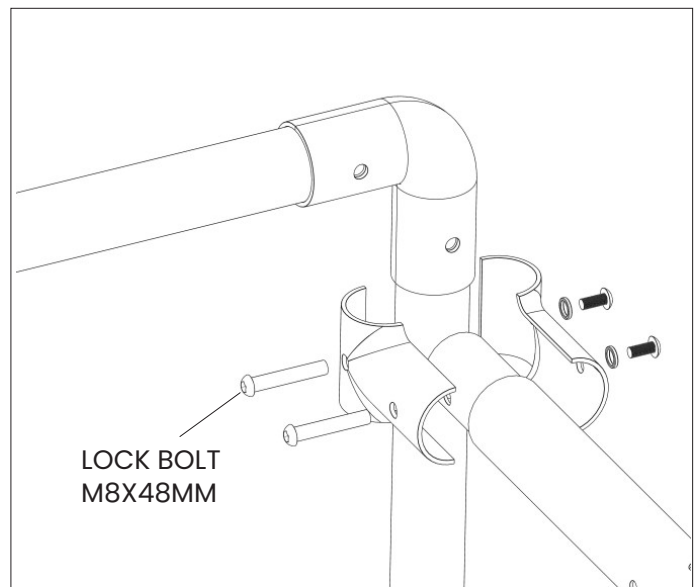
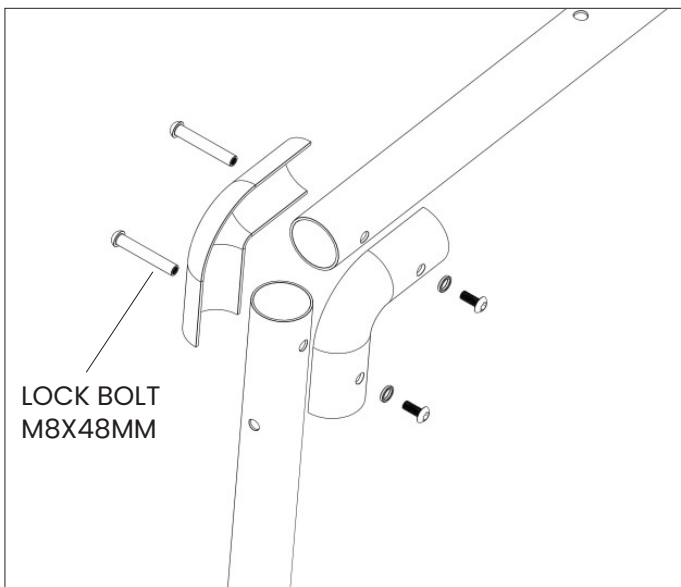
Overview for first part, please look at the view and clear about the position of each part, then Refer to the detailed guide of each point for the successful assembly.

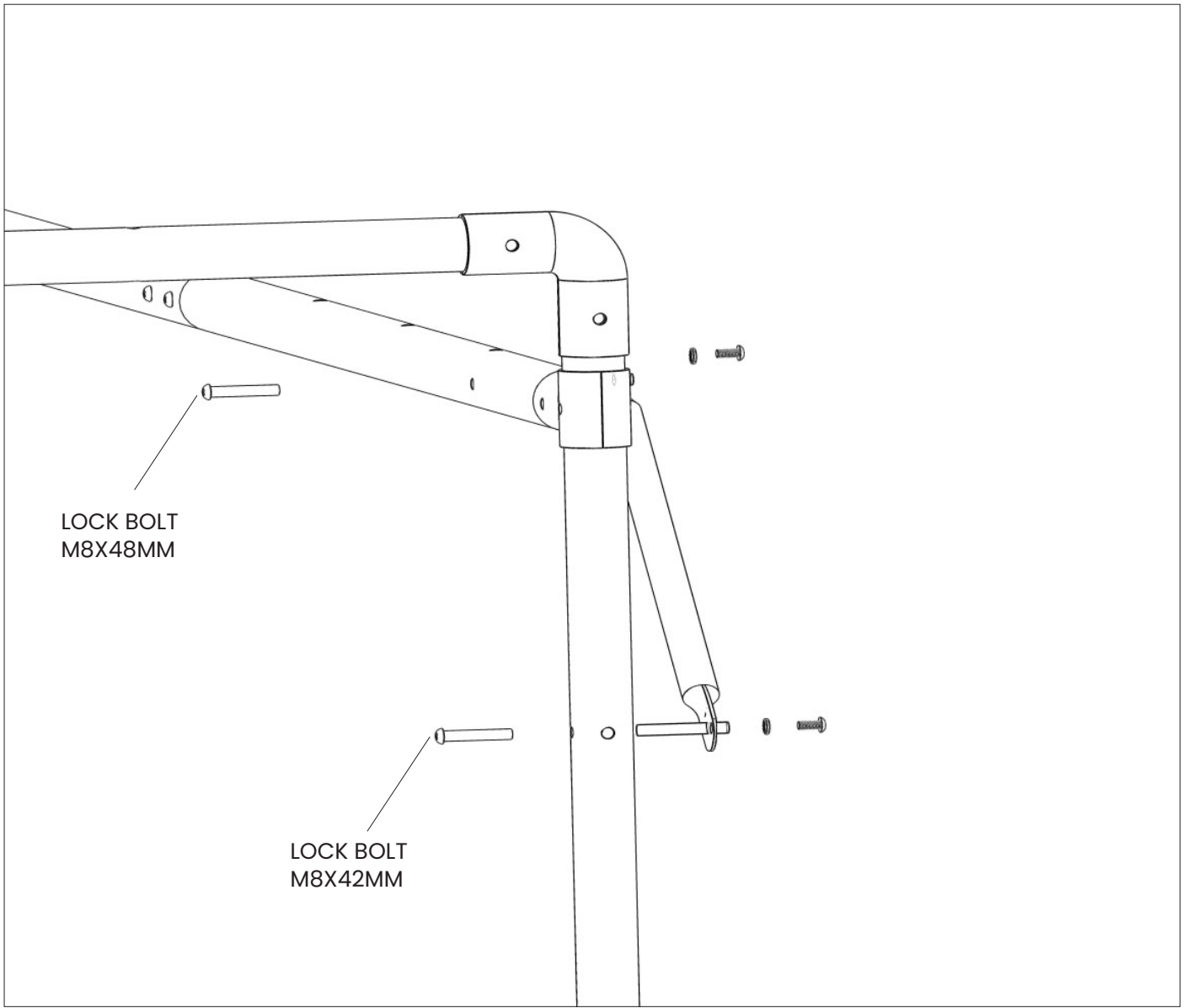


Series #	Part #	Description / Size	Quantity
1	KA01	LEG A	2
2	KA02	LEG B	2
3	KA03	TOP BEAM A	2
4	KA04	TOP BEAM B	1
5	KA05	TOP BEAM C	1
6	KA06	SWING BAR A	2
7	KA07	SWING BAR B	2
8	KA08	LEG BASE	6
9	KA09	SUPPORT BAR	2
10	BR01	CURVED BRACKET	12
11	BR02	STRAIGHT BRACKET	8
12	N/A	LOCK BOLT M8X48MM	30
13	N/A	LOCK BOLT M8X42MM	2

ATTENTION:

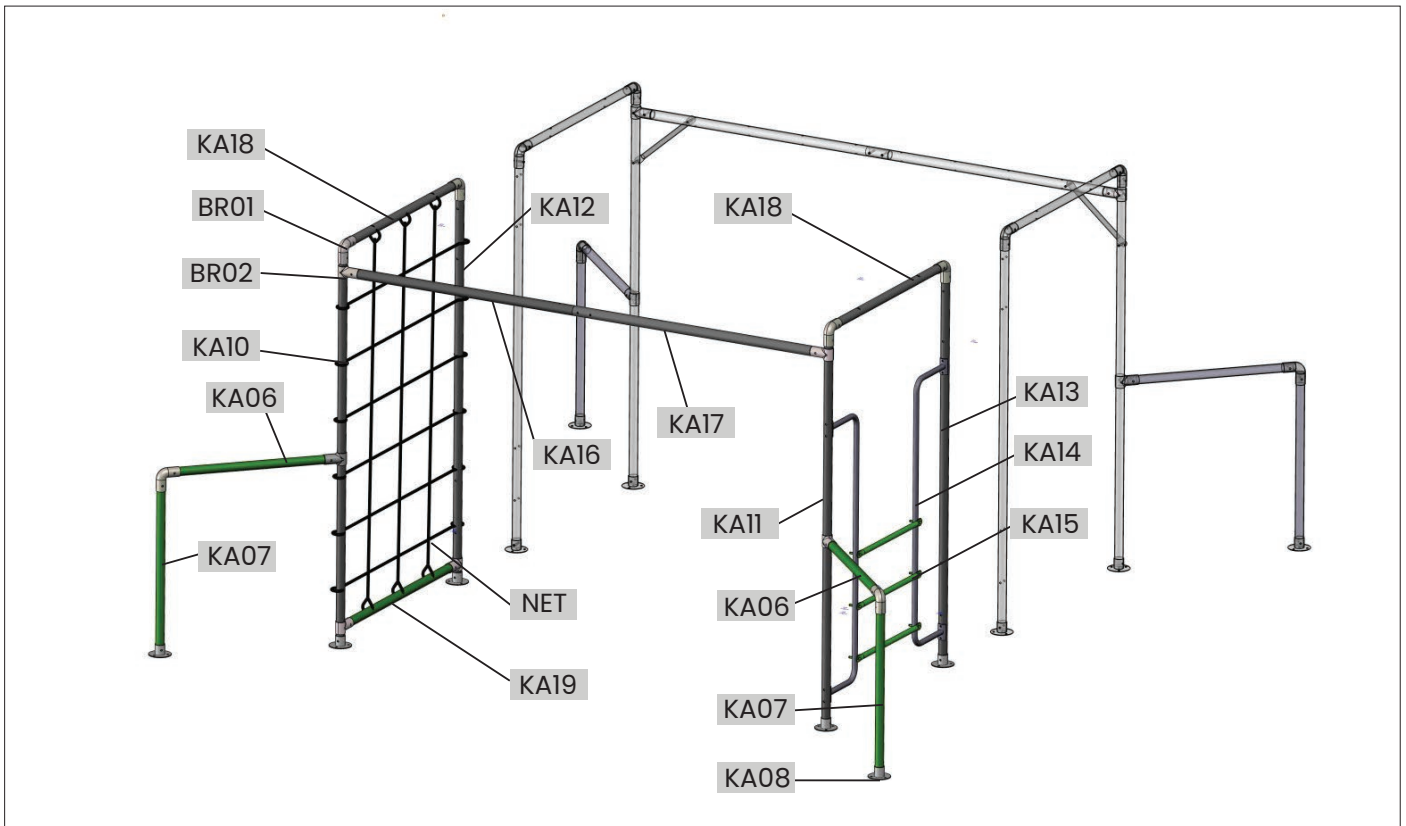
WHEN YOU ASSEMBLE LEG S KA02, PLEASE ADJUST THE HOLES DIRECTION AND ENSURE IT IS RIGHT FOR SWING BAR ASSEMBLY





2. SET UP FOR THE SECOND PART

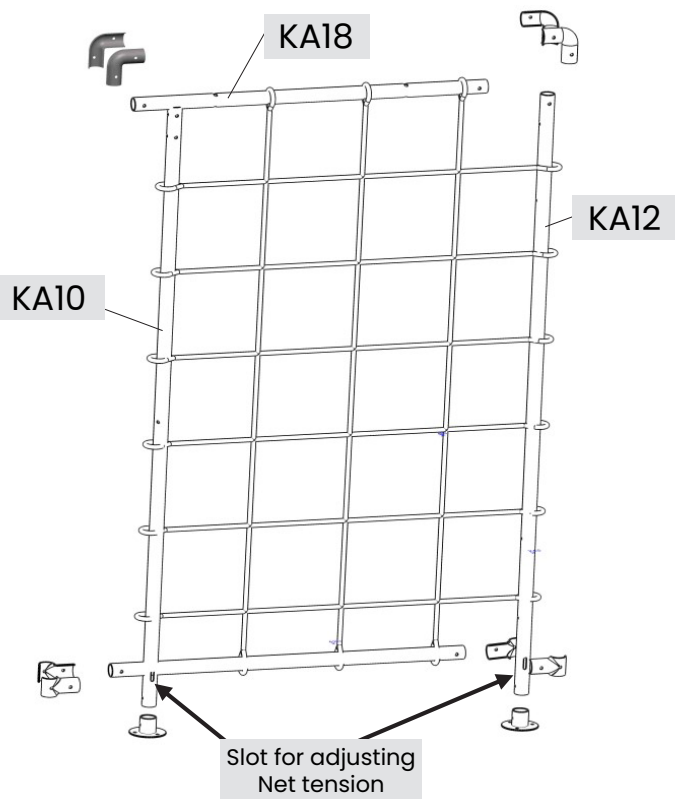
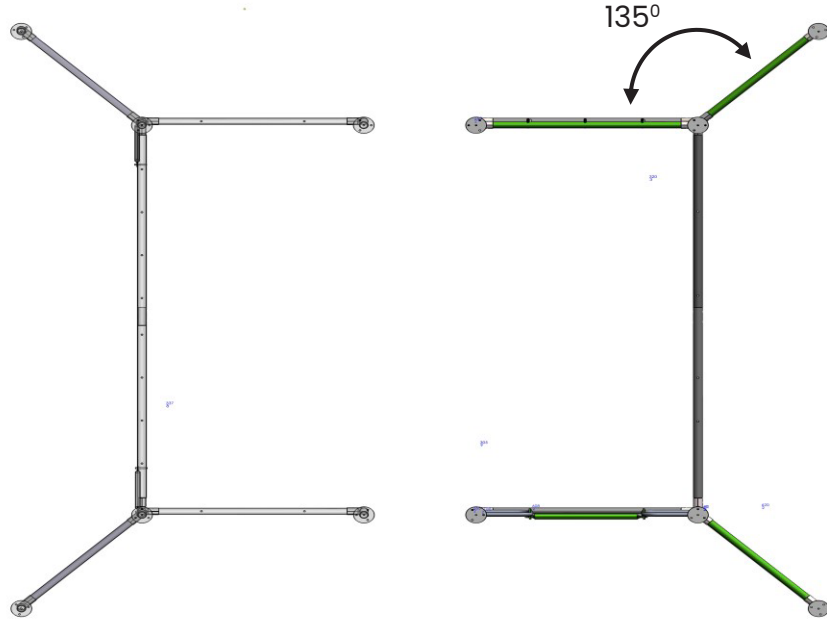
Overview for the second part, please refer to the images for the correct position of each part and to the detailed guide of each point for assembly.



Series #	Part #	Description / Size	Quantity
1	KA10	LEG C	1
2	KA11	LEG D	1
3	KA12	LEG E	1
4	KA13	LEG F	1
5	KA14	HANDLE	2
6	KA15	STEP BAR A	3
7	KA16	TOP BEAM D	1
8	KA17	TOP BEAM E	1
9	KA18	TOP BEAM F	2
10	KA19	BOTTOM BEAM	1
11	KA06	SWING BAR A	2
12	KA07	SWING BAR B	2
13	KA08	LEG BASE	6
14	N/A	CLIMBING NET	1
15	BR01	CURVED BRACKET	12
16	BR02	STRAIGHT BRACKET	12
17	N/A	LOCK BOLT M8X48MM	32
18	N/A	LOCK BOLT M8X45MM	8
19	N/A	LOCK BOLT M8X25MM	6

ATTENTION:

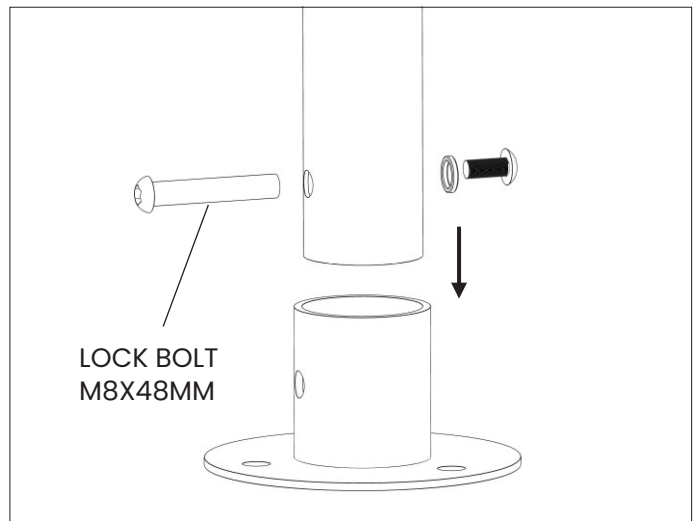
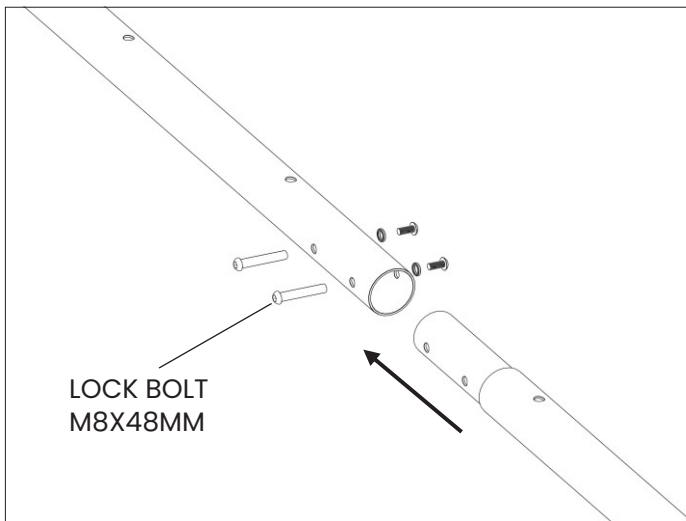
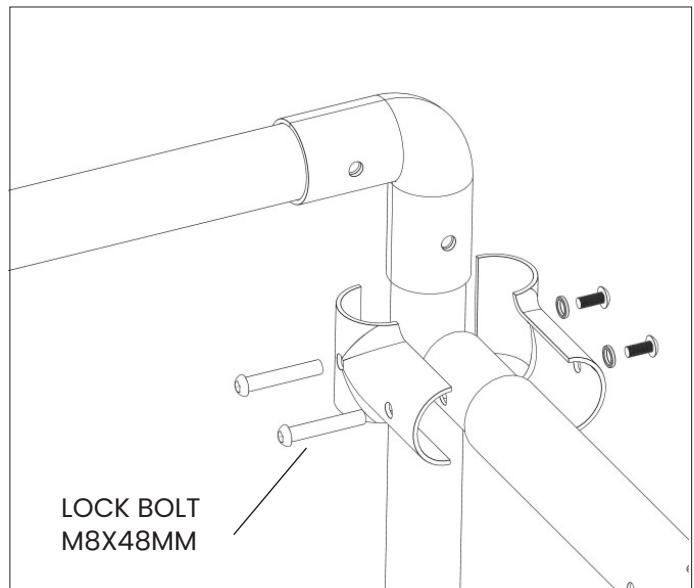
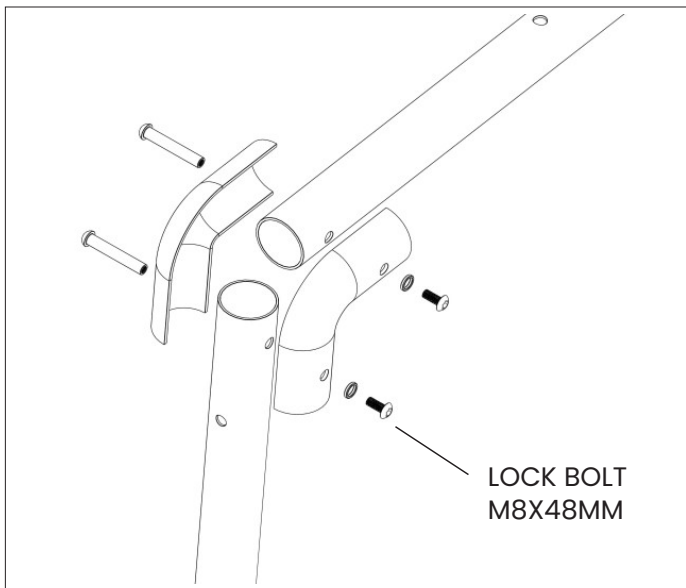
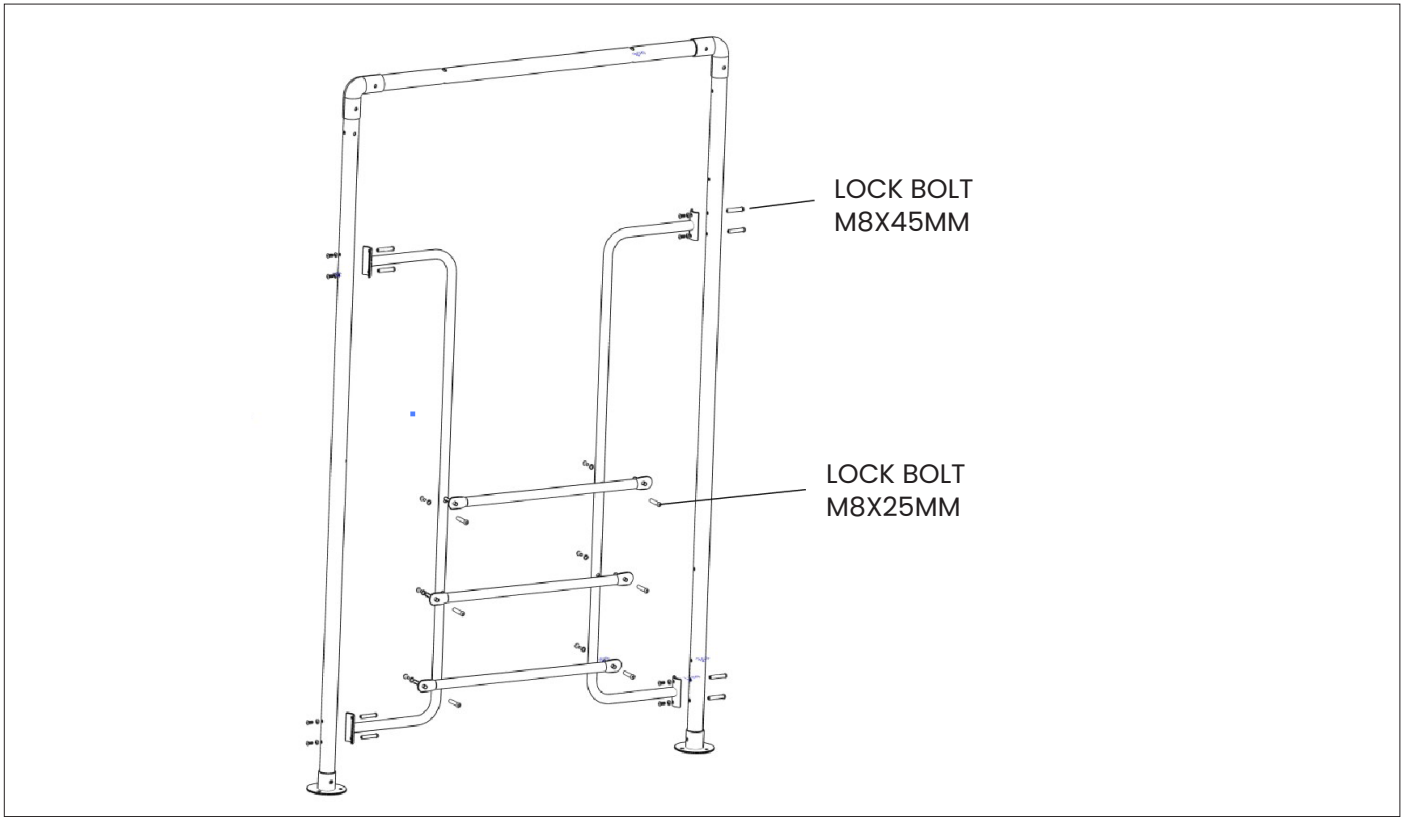
WHEN YOU ASSEMBLE LEGS KA10 & KA11, PLEASE ADJUST THE HOLES DIRECTION AND ENSURE IT IS RIGHT FOR SWING BAR ASSEMBLY



NET ASSEMBLY

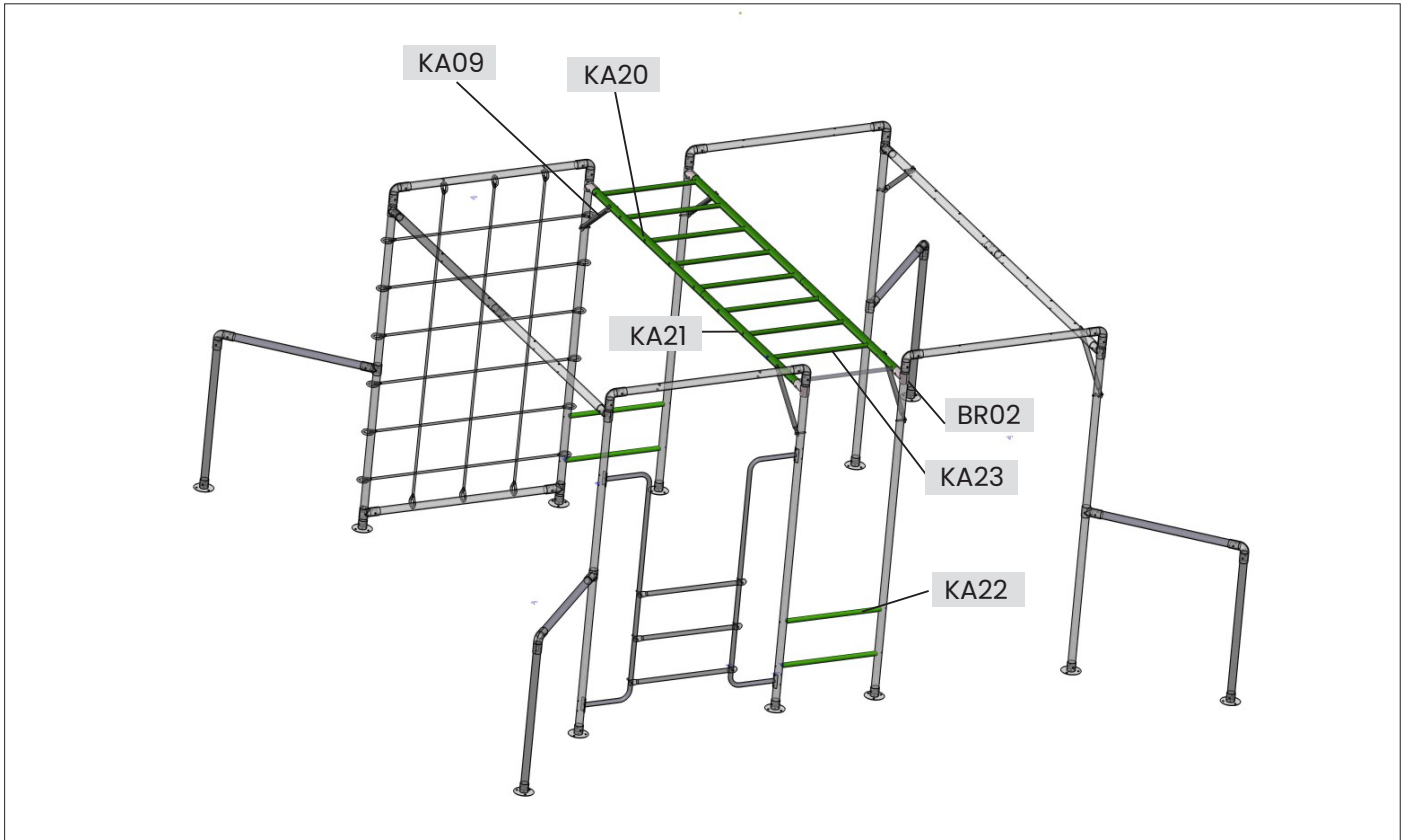
1. Lay out the net on flat surface.
2. Insert one top beam - KA18 through the net loops on the top first, then insert two legs (KA10 & KA12) through the net loops on both sides.
3. Use lock bolt M8X48MM to secure the top ends with cured bracket - BR01.
4. Insert the bottom beam - KA19 through the net loop at the bottom.
5. Use lock bolt M8X48MM to secure the both ends with straight bracket - BR02.

NEED ASSISTANCE FOR THIS STEP

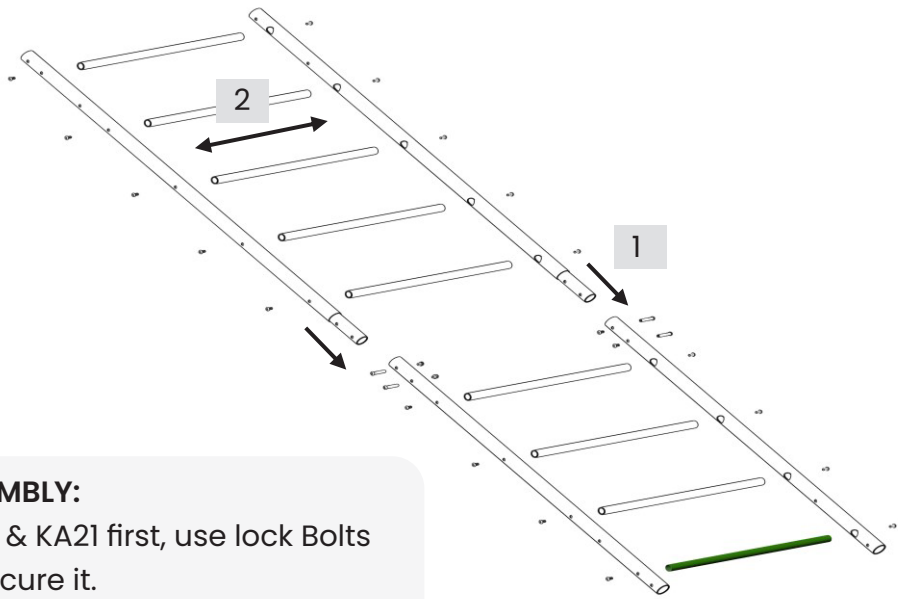


3. SET UP FOR THE THIRD PART

Overview for the third part, please look at the view and clear about the position of each part, Then refer to the detailed guide of each point for the successful assembly.

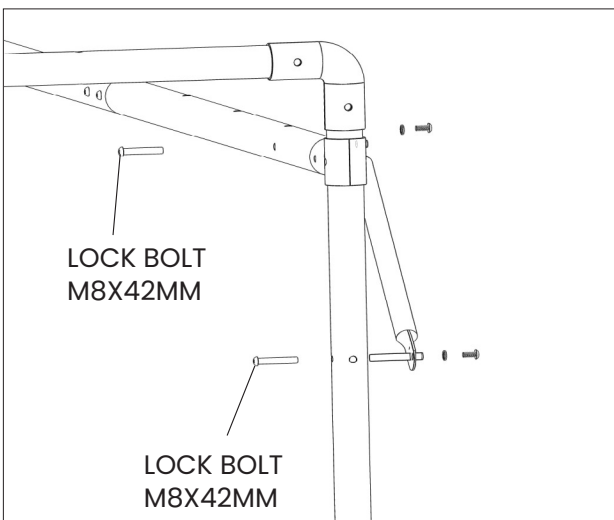
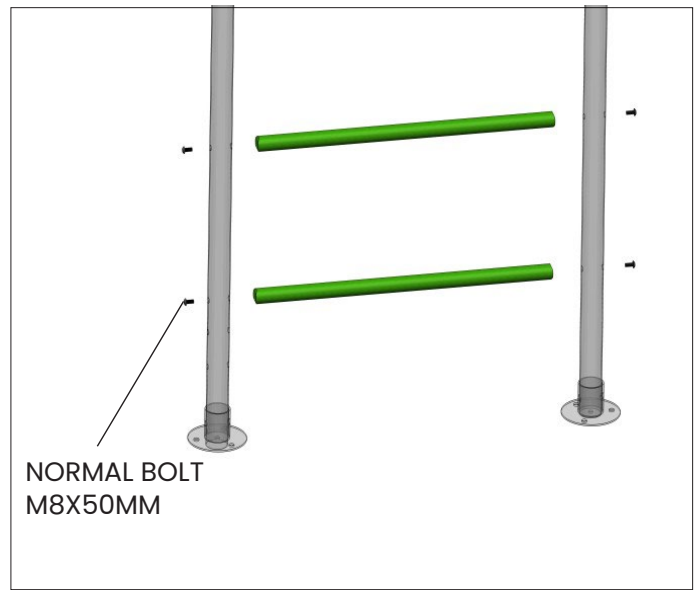
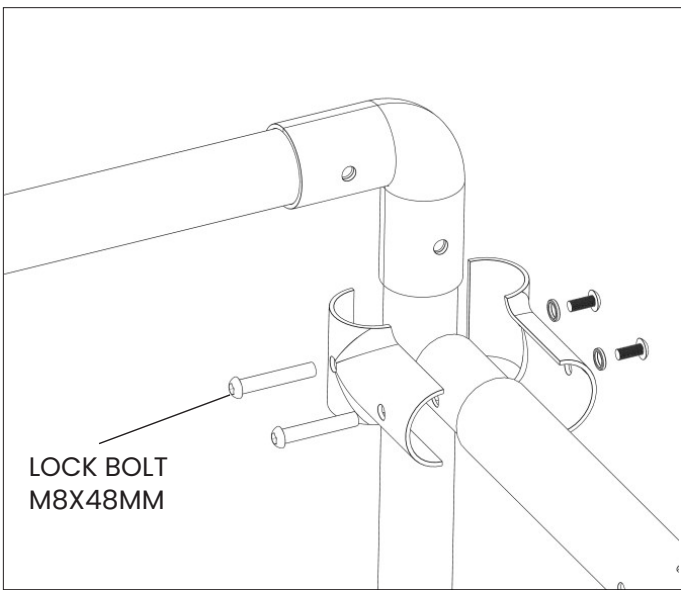


Series #	Part #	Description / Size	Quantity
1	KA20	TOP BEAM G	2
2	KA21	TOP BEAM F	2
3	KA22	STEP BAR B	4
4	KA23	RUNG	9
5	KA09	SUPPORT BAR	4
6	BR02	STRAIGHT BRACKET	8
7	N/A	LOCK BOLT M8X48MM	8
8	N/A	LOCK BOLT M8X42MM	12
9	N/A	NORMAL BOLT M8X25MM	18
10	N/A	NORMAL BOLT M8X50MM	8



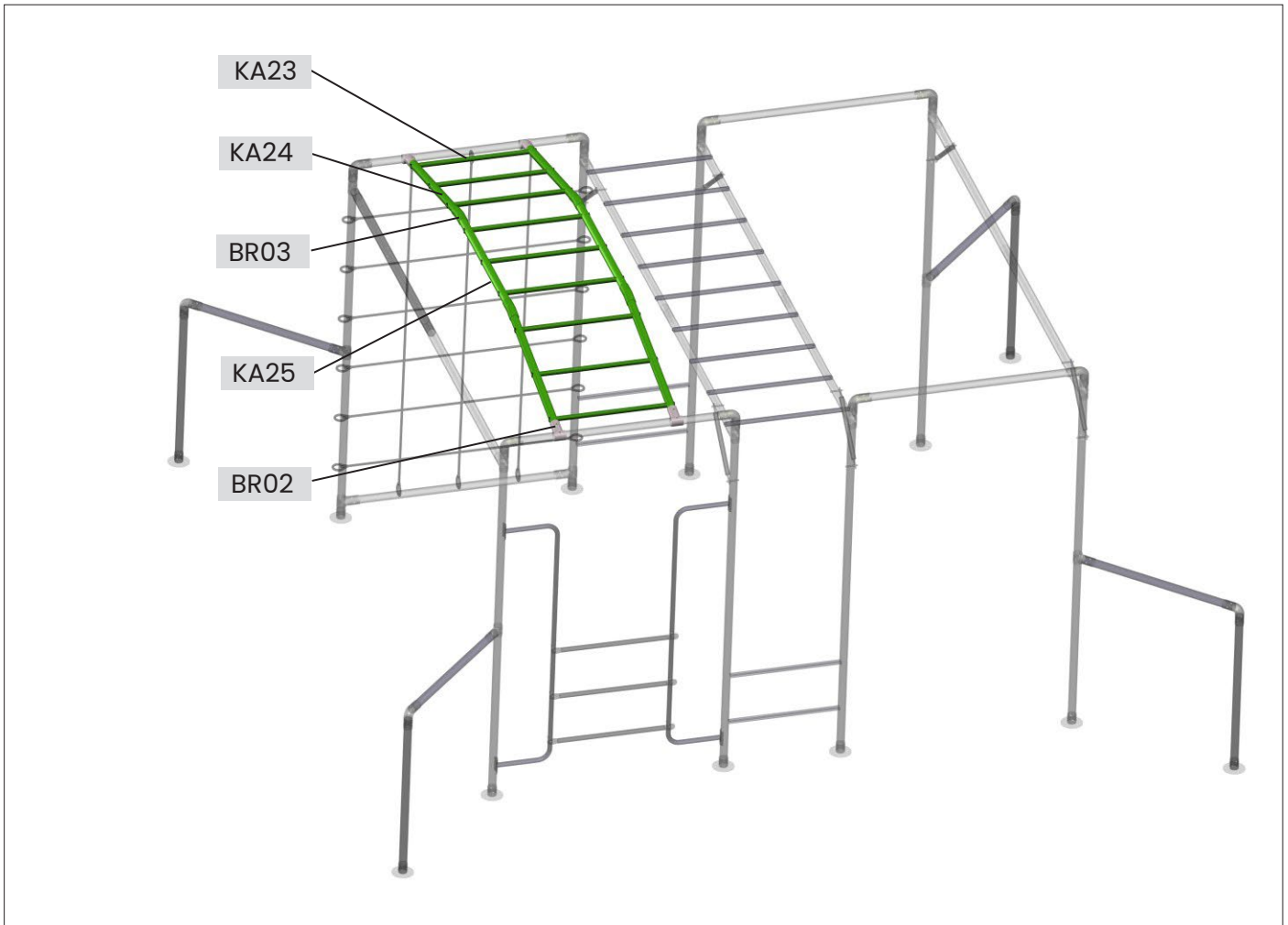
CLIMBING FRAME ASSEMBLY:

1. Build top beam KA20 & KA21 first, use lock Bolts M8X42MM 4pcs to secure it.
2. Insert rungs KA23, use normal bolts M8X35MM 18pc.

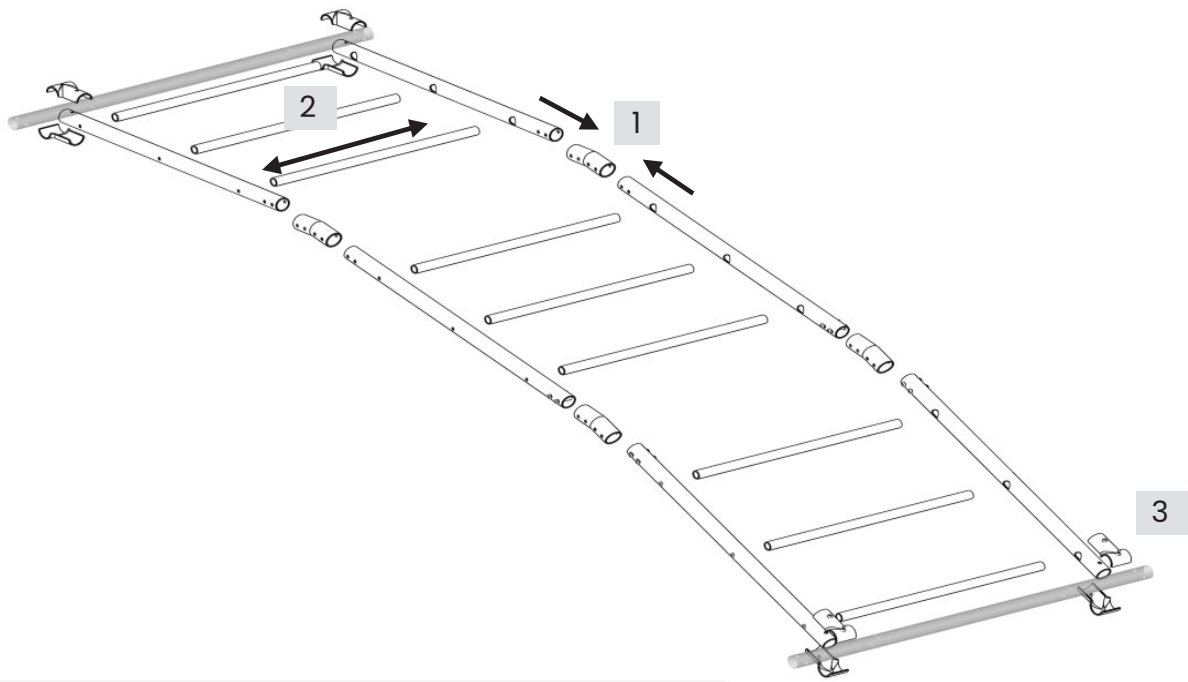


4. SET UP FOR THE FOURTH PART

Overview for the fourth part, please look at the view and clear about the position of each part, then refer to the detailed guide of each point for the successful assembly.

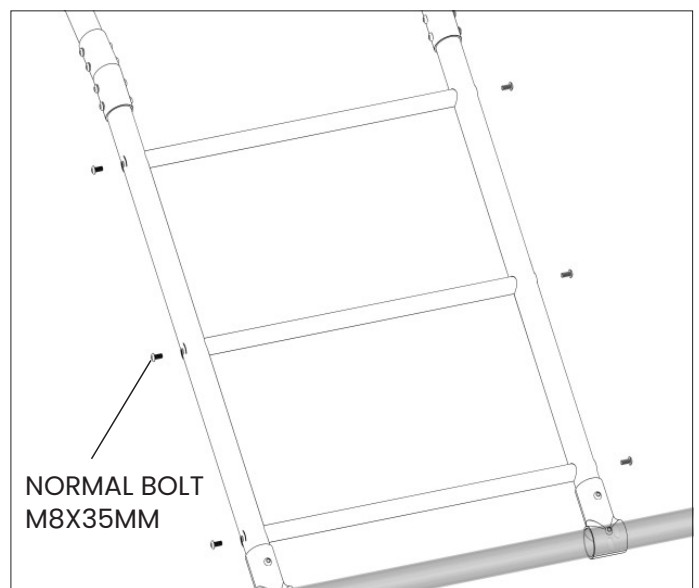
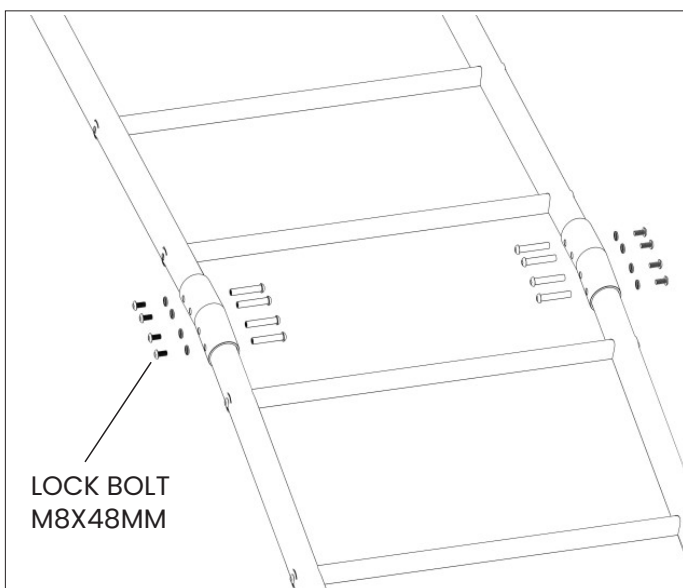


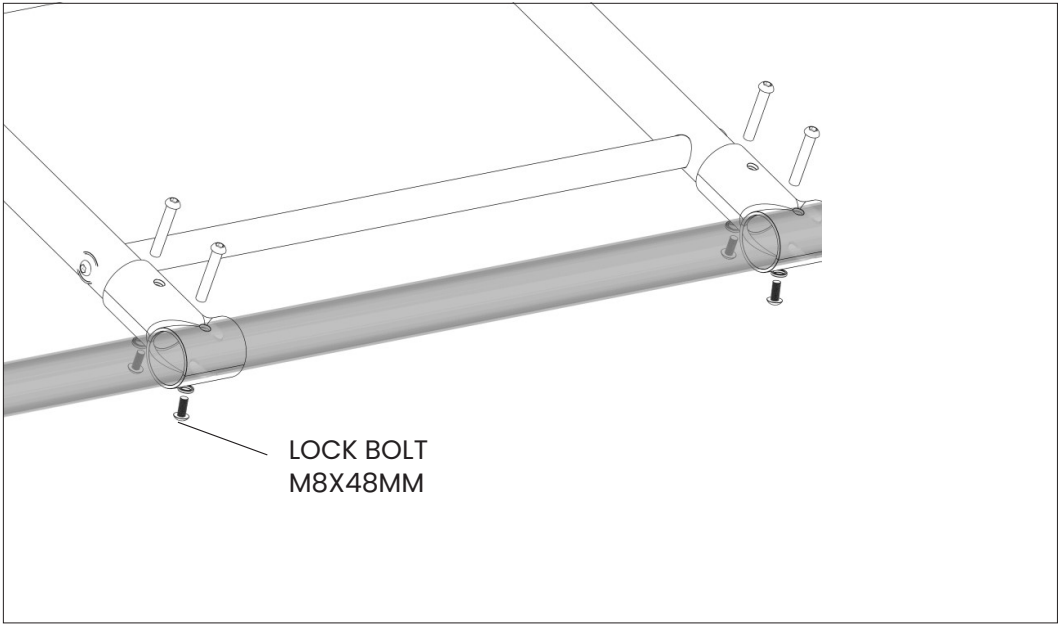
Series #	Part #	Description / Size	Quantity
1	KA24	TOP BEAM E	4
2	KA25	TOP BEAM H	2
3	BR03	CONNECTOR	4
4	KA23	RUNG	9
5	BR02	STRAIGHT BRACKET	8
6	N/A	NORMAL BOLT M8X35MM	18
7	N/A	LOCK BOLT M8X48MM	24



CLIMBING FRAME ASSEMBLY:

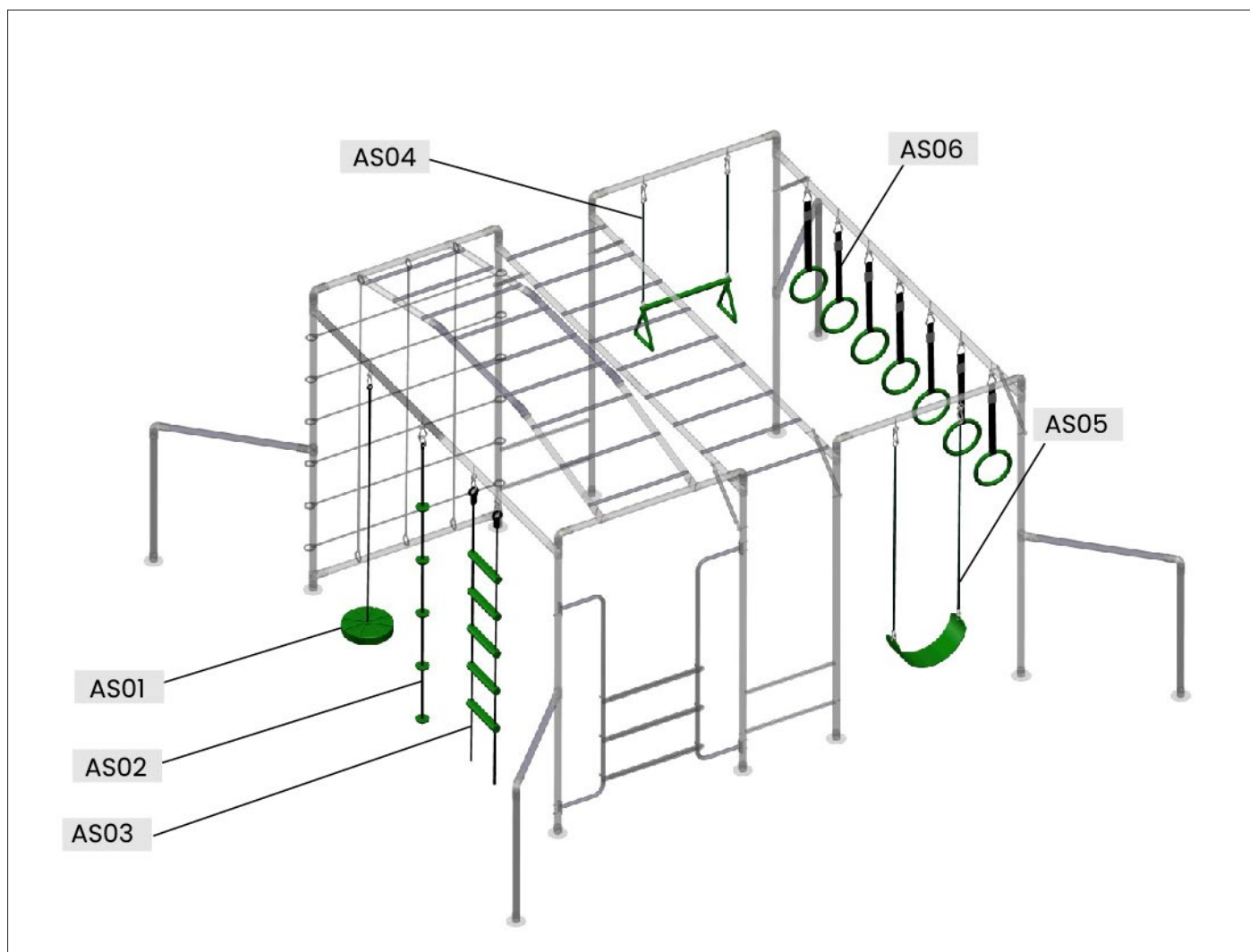
1. Insert the top beam - KA24 & KA25 into connectors first, use lock bolts - M8X48MM 16pcs to secure it.
2. Insert rungs KA23, use normal bolts M8X35MM 18pcs to secure it.
3. Attach climbing frame to the main frame, use bracket BR02 and lock bolts M8X48MM 8pcs to secure it.





5. SET UP FOR THE FIFTH PART

Overview for the fifth part, please look at the view and clear about the position of each part, then attach each accessory in right position.



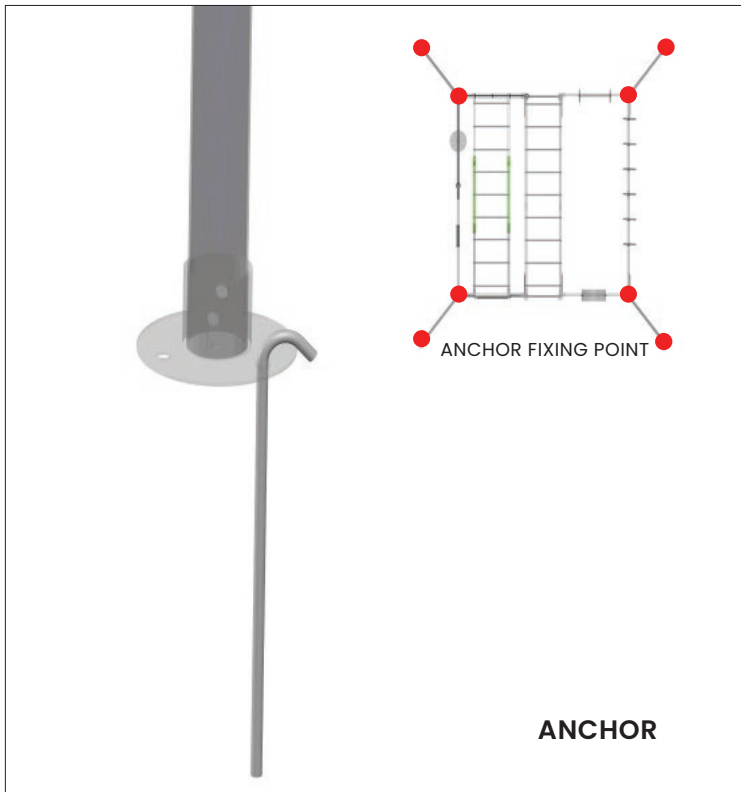
Series #	Part #	Description / Size	Quantity
1	AS01	MONKEY SWING	1
2	AS02	CLIMBING ROPE	1
3	AS03	ROPE LADDER	1
4	AS04	TRAPEZE SWING	1
5	AS05	BELT SWING	1
6	AS06	FITNESS RING (LENGTH ADJUSTABLE)	7
7	N/A	HOOK BOLT L-57MM	11
8	N/A	HOOK BOLT L-50MM	4
9	N/A	ANCHOR	8



HANG POINT

BOLT IN 50MM USED FOR AS04 & AS05

BOLT IN 57MM USED FOR AS01, AS02, AS03 & AS06



ATTENTION

1. Ensure anchors are properly fixed into ground.
2. Check the anchor location before use. Any loose ground you can try re-fitting in the other 2 holes on the feet.

RECOMMENDATIONS:

- The play structure must be securely assembled.
- For safety reasons, the cement cubes must be poured 5cm below ground level, at the frame's outer angles.
- The play structure must not be installed directly on cement, asphalt, or any other hard surface.
- Your play structure must be attached on a flat horizontal surface with a minimum of 2m between it and any structure or obstacle such as a fence, garage house, tree branches, cloths lines, or electric cables.

IV. MAINTENANCE



WARNING: Please keep for future reference.

We recommend regular maintenance to be conducted at the beginning of each season as well as at regular intervals during the usage session for your play equipment to ensure all main parts/fixings are tightly secured, well-oiled and intact to avoid failure, injury or hazards.

GENERAL ADVICE

It is of particular importance that this is followed at the beginning of each season as well as at regular intervals during the usage season.

- Check the accessories monthly as well as the play equipment's structure to prevent falling risks.
- Check and retighten screws, bolts, and all other hardware elements as necessary.
 - a. Do not over tighten to avoid damaging the thread or cracking the surrounding wood.
- Check all coverings and bolts for sharp edges and replace when required.
- Lubricate all moving metallic parts.
- Equipment situated in a high moisture or high salt content locations are more likely to oxidant and rust. Regular checks should be done more often. When signs of oxidation and / or rust appear on various metallic parts of your equipment, sand rusted areas and tubular members and repaint using a non-lead-based paint when required.
- Where applicable: check swing seats, chains, ropes, and other means of attachment for evidence of deterioration.
- Replace when required in accordance with the owner's manual.

If your play structure is disassembled, be sure to clearly mark any attached metal plates to prevent accidents. Check all bolt covers and sharp edges and replace them if necessary.

For longer accessory life, we suggest storing them during the winter.

V. CLEANING

Do not use any abrasive cleansers for the cleaning. Use a soft, damp cloth to eliminate dirt and dust.

VI. WARRANTY

AUSTRALIAN CONSUMER LAW

Many of our products come with a guarantee or warranty from the manufacturer. In addition, they come with guarantees that cannot be excluded under the Australian Consumer Law.

You are entitled to a replacement or refund for a major failure and compensation for any other reasonably foreseeable loss or damage.

You are entitled to have the goods repaired or replaced if the goods fail to be of acceptable quality and the failure does not amount to a major failure. Full details of your consumer rights may be found at www.consumerlaw.gov.au.

Please visit our website to view our full warranty terms and conditions:

www.lifespankids.com.au/Warranty-Policy-Kids

WARRANTY AND SUPPORT

Any claim against this warranty must be made through your original place of purchase. Proof of purchase is required before a warranty claim may be processed.

If you have purchased this product from the Official Lifespan Kids website, please visit

www.lifespankids.com.au/warranty-form

For support outside of warranty, if you wish to purchase replacement parts or request a repair or service, please visit www.lifespankids.com.au/warranty-form and fill in our **Repair/Service Request Form or Parts Purchase Form**.

