



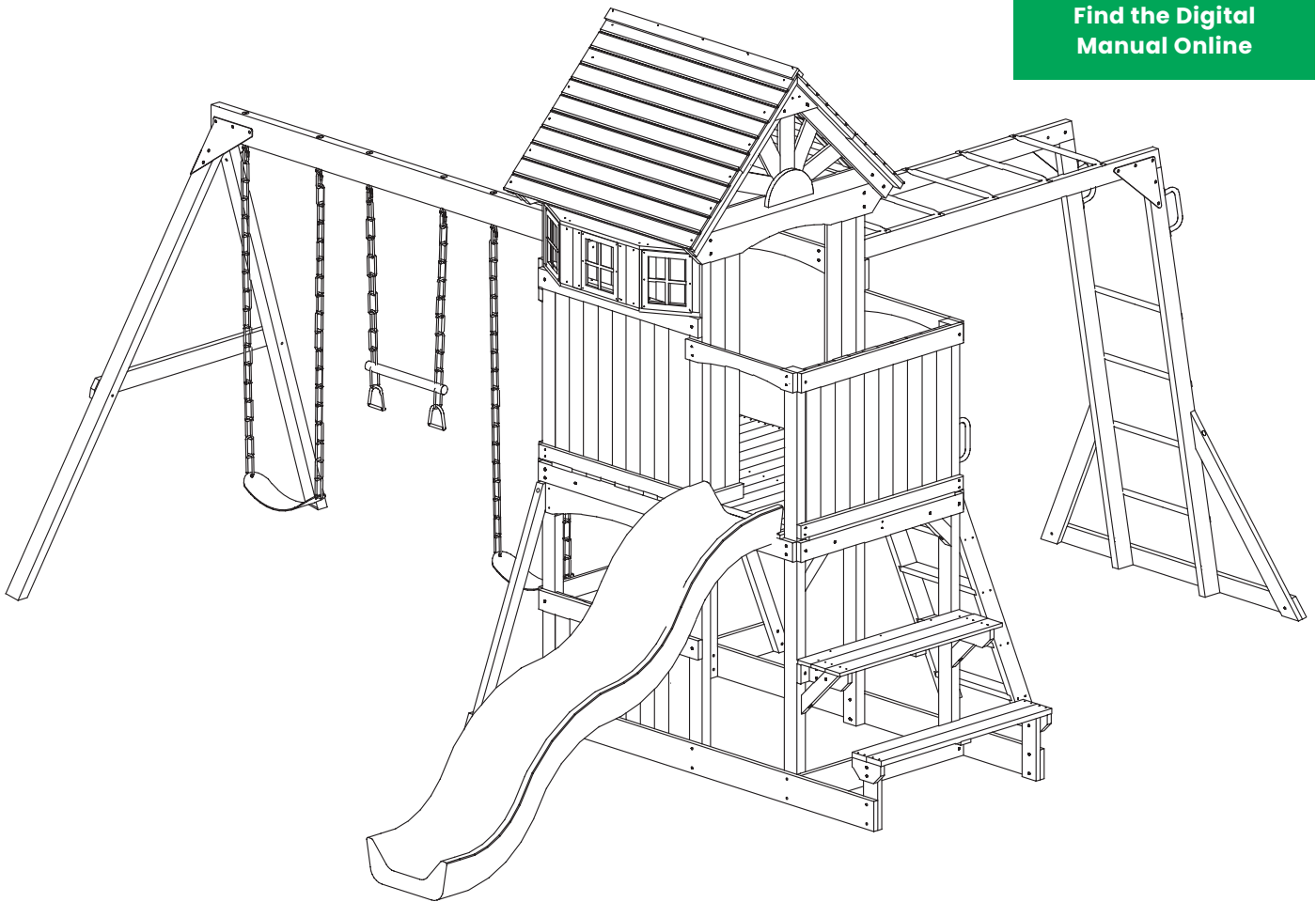
LIFESPAN KIDS

USER MANUAL

Meer Brook Playcentre



Find the Digital
Manual Online



WARNING: The disassembled product may contain small parts which pose a choking hazard to children under 3.

IMPORTANT:

The owner's manual contains safety, assembly, use and maintenance instructions. This product must be assembled by an adult who has read and understood these instructions. Keep the packaging away from children and dispose of all packaging before use.

For the installer and your children's safety, it is important to fully read and understand the instructions and safety hazards before commencing the assembly of the product.

NOTE:

This manual should not be used to guide your purchasing decision. Your product, and the contents inside its carton, may vary from what is listed in this manual. This manual may also be subject to updates or changes. Updated manuals are available through our website at www.lifespankids.com.au.

TABLE OF CONTENTS

| | |
|---------------------------------------|----|
| I. GENERAL SAFETY INSTRUCTIONS | 3 |
| 1.1 Danger for Children | 3 |
| 1.2 Risk of Injuries | 3 |
| 1.3 Product Damage | 3 |
| 1.4 Assembly Advice | 4 |
| II. SAFETY INSTRUCTIONS | 5 |
| IV. ASSEMBLY INSTRUCTIONS | 7 |
| V. MAINTENANCE | 39 |
| VI. WOOD ADVICE | 40 |
| VII. CLEANING | 42 |
| VIII. WARRANTY | 43 |

I. GENERAL SAFETY INSTRUCTIONS

NOTE: This product is intended for outdoor domestic use only.

- Maximum Users: 9
- Maximum Fall Height: 2.0m
- A maximum of 68 kgs. per child is recommended for play activities designed for individual use.
- A maximum of 54 kgs. per child is recommended for play activities designed for multiple child use.
- A maximum of 9 children is recommended for this swing set.

1.1 DANGER FOR CHILDREN



WARNING: No eating while using the product at the same time.

- Children do not recognize potential dangers from this product. The unassembled product must be stored out of reach of children and pets.
- This product may only be used with adult supervision at all times.
- The packaging material is not suitable for children due to choking and suffocation hazards.

1.2 RISK OF INJURIES

- Do not use the product if it is damaged or defective. If it is damaged or defective, please contact a qualified technician.
- Check the product before each use. Defective parts must be changed immediately as they can impair the function and the safety of the product.
- No more than one child at a time going down the slide and using the rock climbing wall.
- Use the product only on even and non-slipping surfaces. Never use it near water and keep sufficient space around for safety.
- Beware of moving parts such as the springs or elastics, which could catch your arms and legs. Do not place any objects or body parts in the product's openings.

1.3 PRODUCT DAMAGE

- Do not make alterations to the product. Only use original spare parts. Qualified technicians should only carry out repairs – improper repairs can lead to danger for the user. Use this product only as described in this manual.

1.4 ASSEMBLY ADVICE

- The assembly of the product must be done carefully and by an able-bodied adult. If in any doubt, ask a technically qualified person.
- Before you start with the assembly, read the instructions carefully.
- Remove all packaging materials and lay down all parts on an open space. This gives you an overview and simplifies the assembly procedure.
- Check with the parts list that all parts are available. Dispose of the packaging material when the assembly is completed.
- Beware that when using tools or doing technical work, there is always a risk of injuries. Assemble the product with care.
- Create a danger free environment; for example, do not let tools lay around the workspace. Store the packaging material in a way that cannot cause any danger.
- After installing the product according to the instruction manual, ensure all screws, bolts and nuts are correctly installed and tightened and that all joints are secure.
- Reasonable space must be kept between the product and possible sources of danger, such as other equipment swimming pools and fences.
- The product must be assembled correctly before use.
- Your play structure must be installed on a flat horizontal surface with a minimum of 2m between it and any structure or obstacle such as a fence, garage house, tree branches, cloths lines, or electric cables.
- Modifications made to the original product shall be carried out according to the instructions of the manufacturer.
- The product must always be used in a well-lit area.
- Do not place anything under the product.
- Use gloves during assembly and disassembly.
- Outdoor products should be equipped with devices to prevent displacement in strong wind conditions (e.g. steel bars in the ground or loads like sandbag or water bags).
- In certain areas during winter, snow buildup and the low temperatures can damage the product. It is recommended to remove snow buildup and to store the product indoors.
- We strongly recommend visual inspections every 3 months to ensure the integrity of the entire product. Replace any parts as necessary.

II. SAFETY INSTRUCTIONS

- The safety instructions of the product should always be considered and obeyed.
- Using this product incorrectly may result in permanent injury such as paralysis, or even death. Falling off the product may lead to injuries, particularly to the back, neck or head.
- No clothes with hooks or loose parts should be worn or carried during product usage in order to avoid hooks getting caught and causing injury.
- Strong winds can result in the product being blown away or damaged. If strong winds are predicted, the product must be disassembled and moved to a sheltered area or sufficiently anchored down.
- Moving the product whilst assembled may affect the integrity of the frame. Should it be necessary to move the product, please consider the following:
 1. Force to be evenly spaced around the frame to lift the product off the ground.
 2. The product must be carried horizontally.
 3. Use caution whilst moving as it could bend the product frame.
- Users should be familiar with the assembly manual. This manual contains assembly guidance; selected precautionary measures as well as recommendations for servicing and maintenance of the product, in order to ensure a secured and fun use of the product.
- It is the responsibility of the owner or the supervisor to guarantee that all users of the product are informed sufficiently of all warning references and safety instructions.

For the supervisor

The supervisor's role is to make sure users are aware of all safety precautions and that these precautions are enforced. When a supervisor is not available, the product may be disassembled or covered to limit access.

- The product can be only used if it is in good condition, worn or damaged parts should be replaced.
- Objects, which could be dangerous to the user, should be away from the product.
- Avoid unauthorized and unsupervised use of the product.
- Do not use the product under influence of alcohol or drugs (incl. medicines).
- Do not use the product as a jumping platform for other articles.

Consumer Information Sheet for Playground Surfacing Materials

The US Consumer Product Safety Commission (CPSC) estimates that about 100 000 playground equipment-related injuries resulting from falls to the ground surface are treated annually in US hospital emergency rooms. Injuries involving this hazard pattern tend to be among the most serious of all playground injuries, and have the potential to be fatal, particularly when the injury is to the head. The surface under and around playground equipment can be a major factor in determining the injury-causing potential of a fall. It is self-evident that a fall on to a shock-absorbing surface is less likely to cause a serious injury than a fall onto a hard surface. Playground equipment should never be placed on hard surfaces, such as concrete or asphalt, and while grass may appear to be acceptable, it may quickly turn to hard-packed earth in areas of high traffic. Shredded bark mulch, wood chips, tine sand or the gravel are considered to be acceptable shock absorbing surfaces when installed and maintained at a sufficient depth under and around playground equipment.

Table B.1 Lists the maximum height from which a child would not be expected to sustain a life-threatening head injury in a fall on to four different loose-fill surfacing materials if they are Installed and maintained at depths of 150 mm, 225 mm and 300 mm.

Table B.1 Fall height in millimetres from which a life-threatening head injury would not be expected.

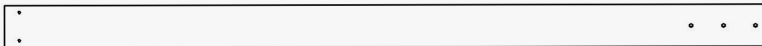
| Type of Material | Depth of surfacing material | | |
|----------------------------|-----------------------------|-------|-------|
| | 150mm | 225mm | 300mm |
| Double Shredded Bark Mulch | 1800 | 3000 | 3300 |
| Wood Chips | 1800 | 2100 | 3600 |
| Fine Sand | 1500 | 1500 | 2700 |
| Fine Gravel | 1800 | 2100 | 3000 |

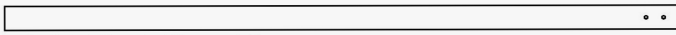
However, it should be recognised that all injuries due to falls cannot be prevented, no matter what surfacing material is used.

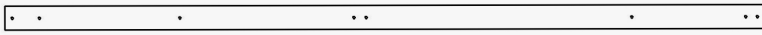
It is recommended that a shock absorbing material extend a minimum of 1 800 mm in all directions from the perimeter of stationary equipment such as climbing frames and slides. However, because children may deliberately jump from a moving swing, the shock absorbing material should extend in the front and rear of a swing a minimum distance of twice the height of the pivot point measured from a point directly beneath the pivot on the supporting structure.

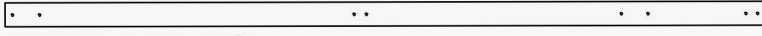
This information is intended to assist in comparing the relative shock-absorbing properties of various materials. No particular material is recommended over another. However, each material is only effective when properly maintained. Materials should be checked periodically and replenished to maintain correct depth as determined necessary for the equipment in question. The choice of a material depends on the type and height of the playground equipment, the availability of the material in a particular area, and its cost.

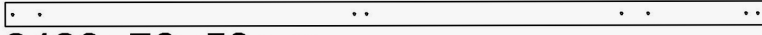
III. ASSEMBLY INSTRUCTIONS

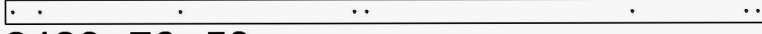
B1=1 
2420×134×50mm


B2=2 
2159×76×50mm

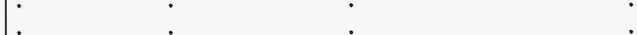
C1=1 
2420×76×50mm

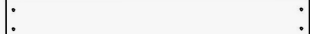
C2=1 
2420×76×50mm

C3=1 
2420×76×50mm


C4=1 
2420×76×50mm

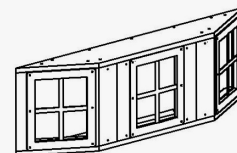
C5=2 
1930×76×50mm

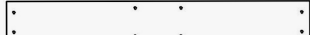
D1=2 
2028×134×24mm


D2=1 
966×134×24mm


SILL=1

D3=1 
966×134×24mm




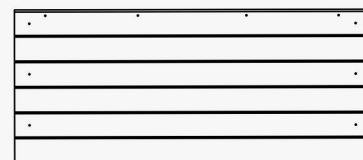
D4=1 
966×134×24mm

D5=1 
1204×134×24mm

D6=1 
1906×134×24mm

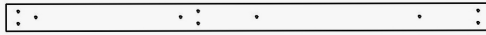
FP1=2

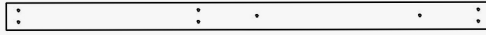
D10=2 
268×134×24mm



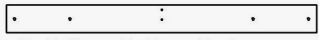
D11=2 
268×134×24mm

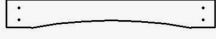
FP2=2

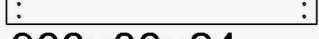
F1=1 
1540×86×24mm


F2=1 
1540×86×24mm

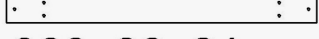


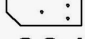
F3=2 
966×86×24mm

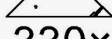
F4=2 
650×86×24mm


F5=2 
966×86×24mm


F6=1 
1204×86×24mm


F7=1 
966×86×24mm

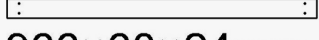
F8=2 
234×86×24mm

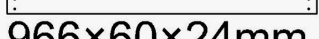
F9=2 
330×60×24mm

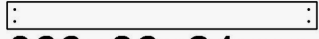
F10=2 
1014×86×24mm

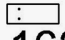
F11=2 
172×86×24mm

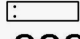
F12=2 
300×86×24mm

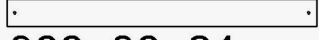
F13=1 
966×60×24mm

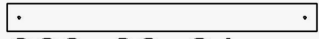
F14=2 
966×60×24mm


F15=1 
966×86×24mm


F16=2 
162×60×24mm


F17=2 
222×60×24mm

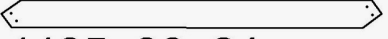
F18=1 
966×86×24mm

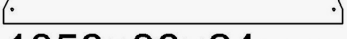
F19=2 
966×86×24mm

F21=2 
794×86×24mm

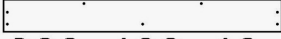
F22=2 
880×86×24mm

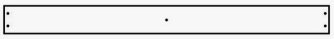
F23=4 
458×86×24mm

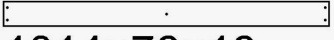
F26=1 
1185×86×24mm


F30=1 
1056×86×24mm

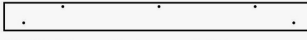
FA26=6 
86×76×24mm


H1=2 
866×100×16mm

H2=12 
1014×86×16mm

H3=2 
1014×76×16mm


H4=1 
1014×120×16mm

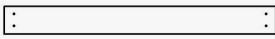
H8=1 
966×86×16mm


H9=2 
966×86×16mm


H10=1 
232×60×16mm


H11=1 
170×60×16mm

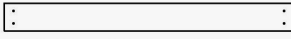
H12=1 
847×120×16mm

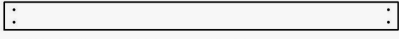
H13=8 
847×86×16mm



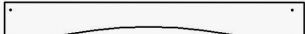
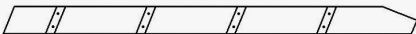
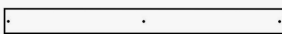
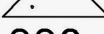


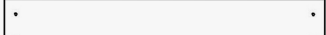
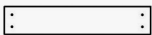

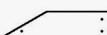
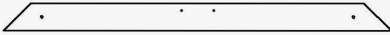

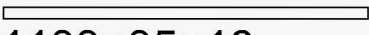

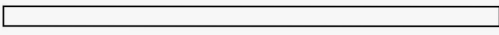
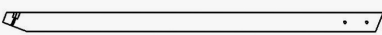
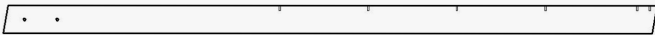


H14=10 
738×86×16mm

H15=1 
598×120×16mm

H16=8 
598×86×16mm

H17=4 
903×86×16mm


H18=10 
1228×86×16mm

| | | | |
|-------|--|-------|--|
| F28=2 |  | | |
| | 998×86×24mm | | |
| F29=1 |  | | |
| | 1558×86×24mm | | |
| H19=1 |  | K23=1 |  |
| | 931×134×16mm | | 1284×86×35mm |
| H20=1 |  | K33=8 |  |
| | 866×76×16mm | | 330×60×35mm |
| H22=2 |  | T1=2 |  |
| | 879×86×16mm | | 89×60×24mm |
| H23=1 |  | | |
| | 498×86×16mm | | |
| H24=2 |  | | |
| | 454×86×16mm | | |
| H25=4 |  | | |
| | 327×86×16mm | | |
| H26=4 |  | | |
| | 332×86×16mm | | |
| H27=2 |  | | |
| | 1205×86×16mm | | |
| H28=4 |  | | |
| | 110×86×16mm | | |
| H29=1 |  | | |
| | 1133×35×16mm | | |
| H30=1 |  | | |
| | 1133×50×16mm | | |
| K1=1 |  | | |
| | 1540×60×35mm | | |
| K2=2 |  | | |
| | 1180×60×35mm | | |
| K8=2 |  | | |
| | 2030×86×35mm | | |
| K9=2 |  | | |
| | 1935×86×35mm | | |
| K22=1 |  | | |
| | 1284×86×35mm | | |

PARTS LIST

AN8 
A-NUT8 X6


W10/18 
Washer X106


W12/28 
Washer X6


BM818 
B-NUT x29


N815 
NUT x124


M821 
Bolt x16

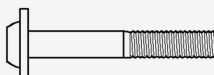
S315 
Screw x12


M833 
Bolt x18

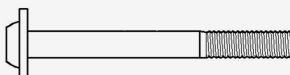
S321 
Screw x8


M845 
Bolt x29


S328 
Screw x5

M855 
Bolt x14

SW25 
Screw x9

M869 
Bolt x42

SW35 
Screw x367


M896 
Bolt x28

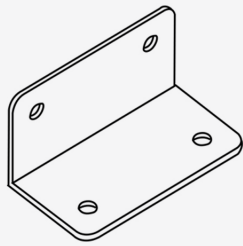
SW40 
Screw x4

SW50 
Screw x82

SW60 
Screw x4

M6SW35 
Screw x48

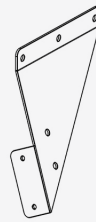
M6SW55 
Screw x14



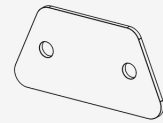
(2) L651003



(1) L651022



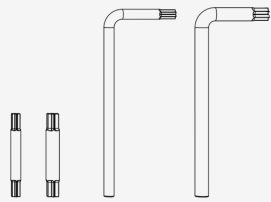
(1) L651023



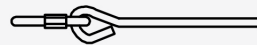
(1) L651024



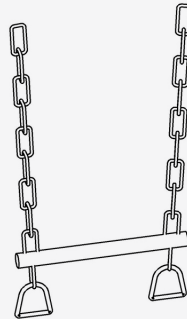
(4) 151003



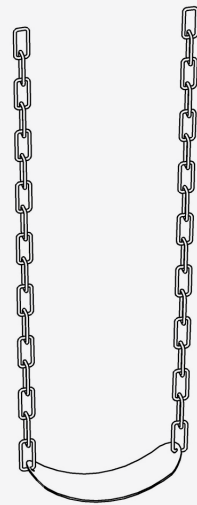
Star Bit (S)
Star Bit (L)
Allen Wrench (S)
Allen Wrench (L)



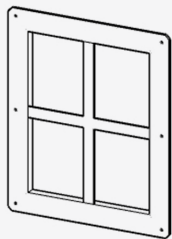
(6) 650007



(1) 108002



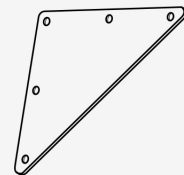
(2) 108001



(2) 650051



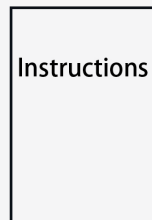
(9) L651006



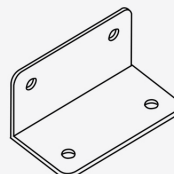
(2) L651007



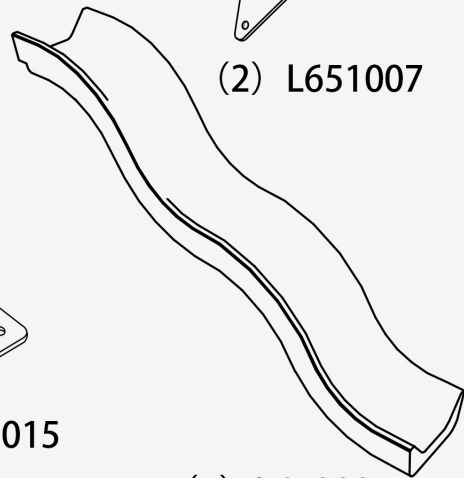
(9) 139070



(1) 151090



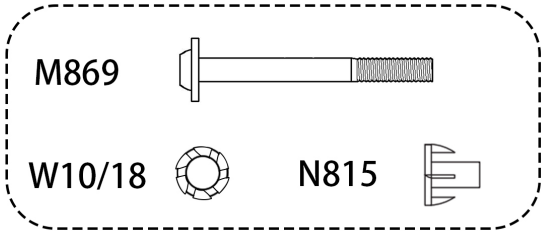
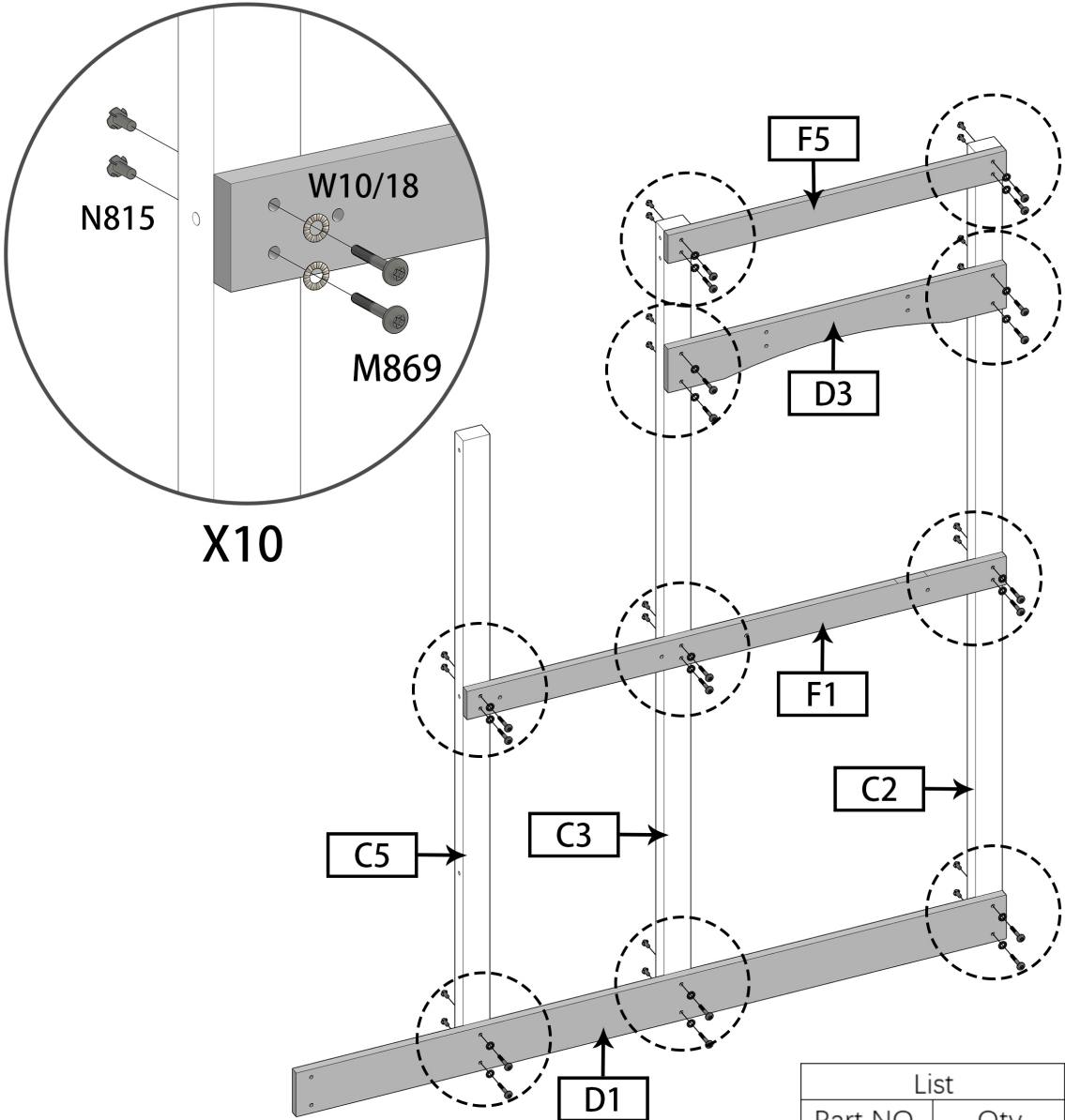
(4) L651015



(1) L650001

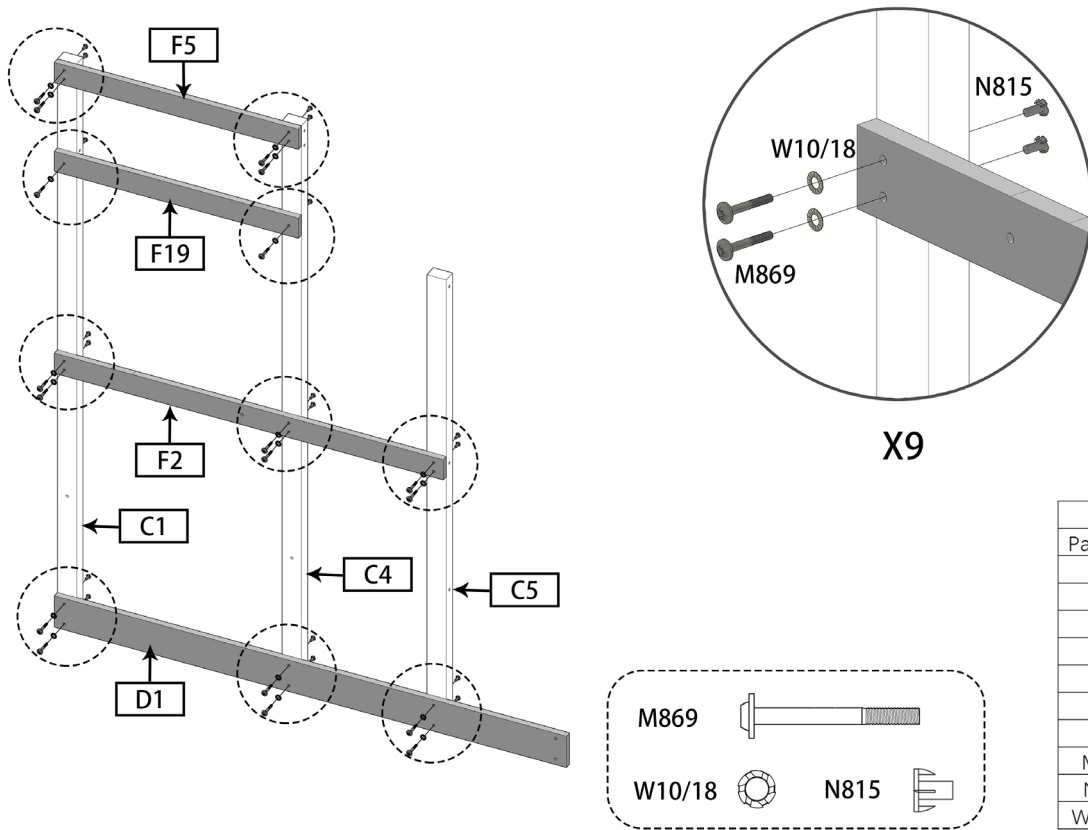
3.1 SET UP

STEP 1



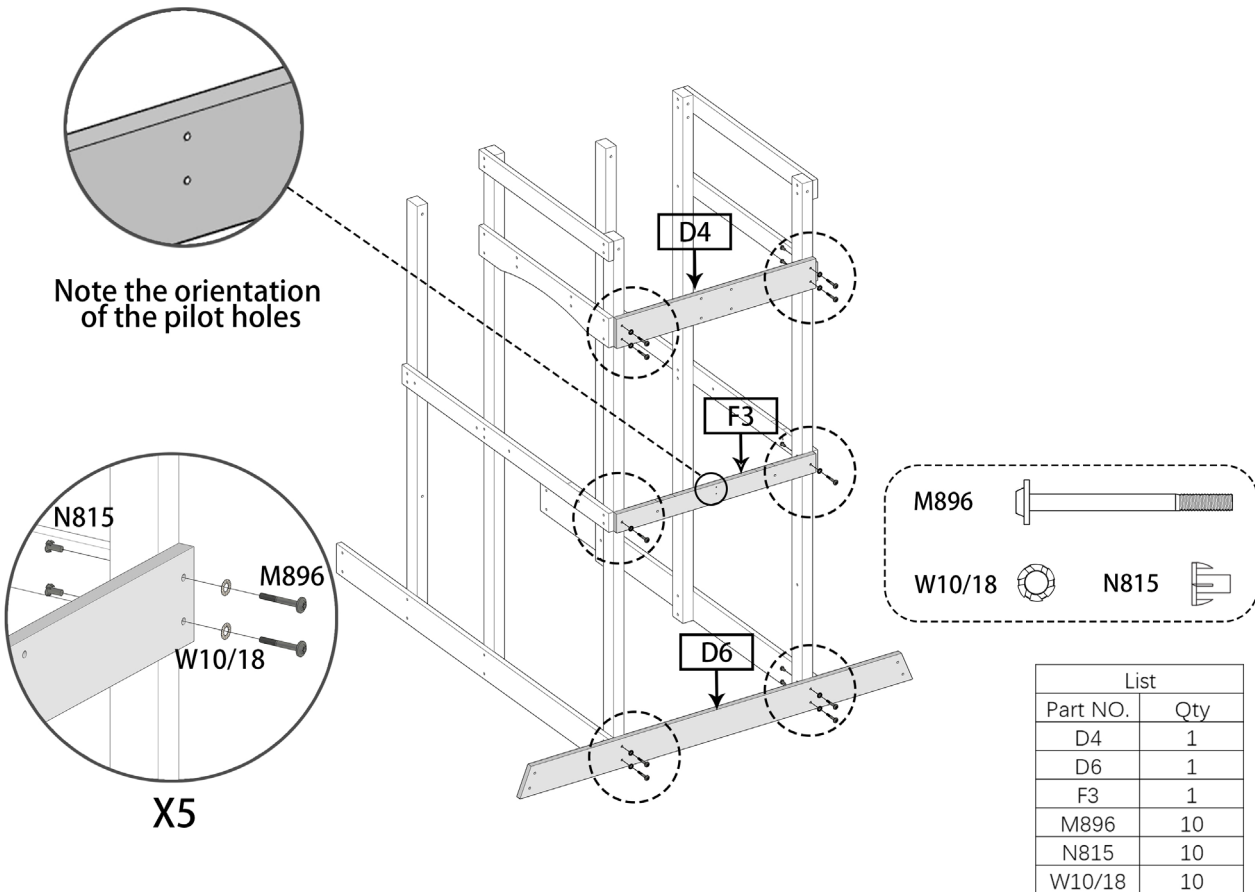
| List | |
|----------|-----|
| Part NO. | Qty |
| C2 | 1 |
| C3 | 1 |
| C5 | 1 |
| D1 | 1 |
| D3 | 1 |
| F1 | 1 |
| F5 | 1 |
| M869 | 20 |
| N815 | 20 |
| W10/18 | 20 |

STEP 2



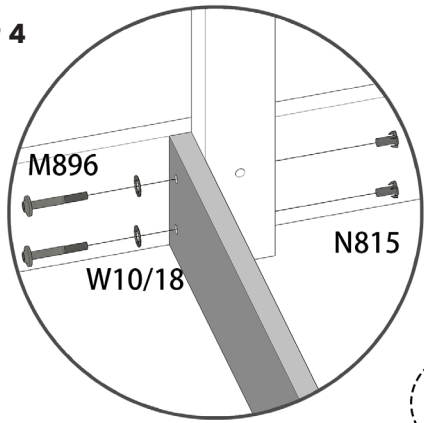
| List | |
|----------|-----|
| Part NO. | Qty |
| C1 | 1 |
| C4 | 1 |
| C5 | 1 |
| D1 | 1 |
| F2 | 1 |
| F5 | 1 |
| F19 | 1 |
| M869 | 18 |
| N815 | 18 |
| W10/18 | 18 |

STEP 3

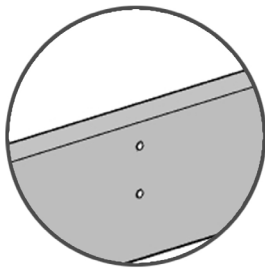


| List | |
|----------|-----|
| Part NO. | Qty |
| D4 | 1 |
| D6 | 1 |
| F3 | 1 |
| M896 | 10 |
| N815 | 10 |
| W10/18 | 10 |

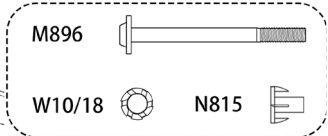
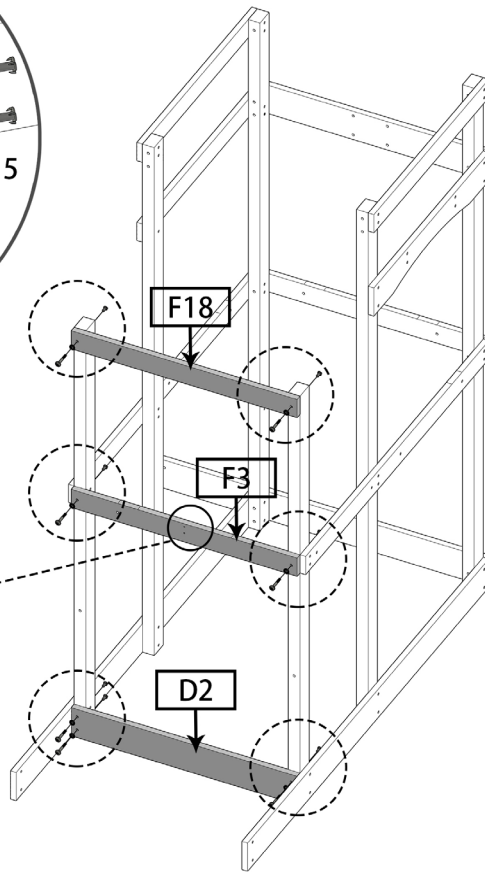
STEP 4



X4

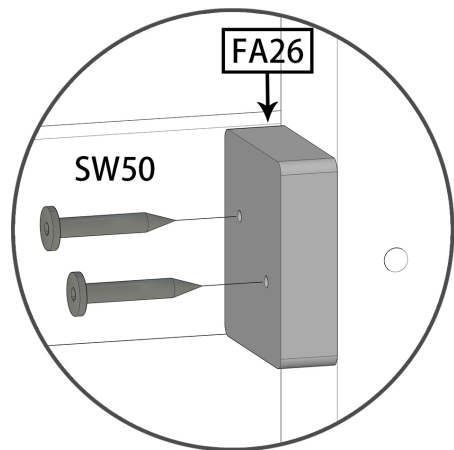
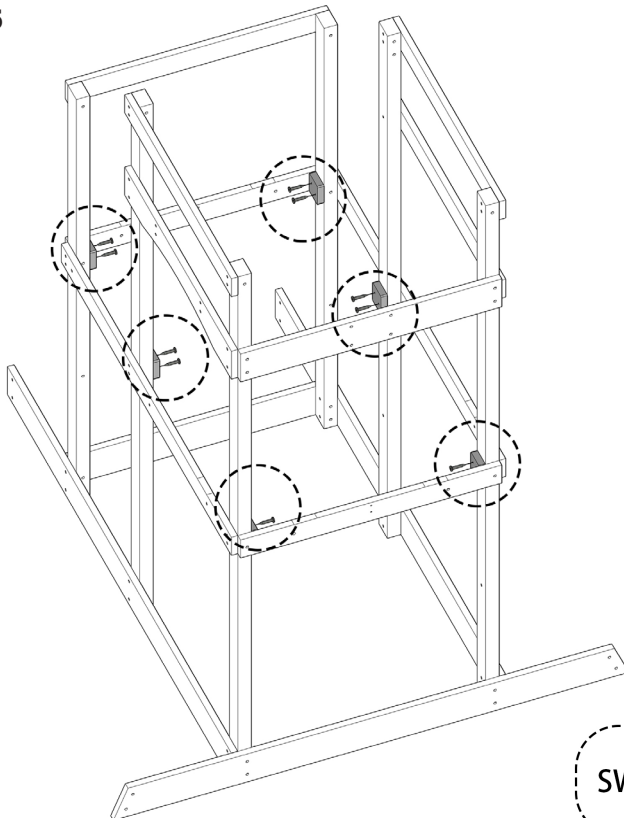


Note the orientation of the pilot holes

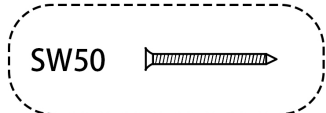


| List | |
|----------|-----|
| Part NO. | Qty |
| D2 | 1 |
| F3 | 1 |
| F18 | 1 |
| M896 | 8 |
| N815 | 8 |
| W10/18 | 8 |

STEP 5

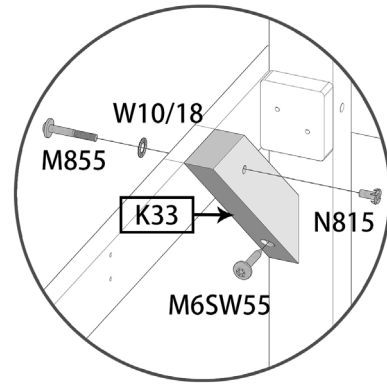
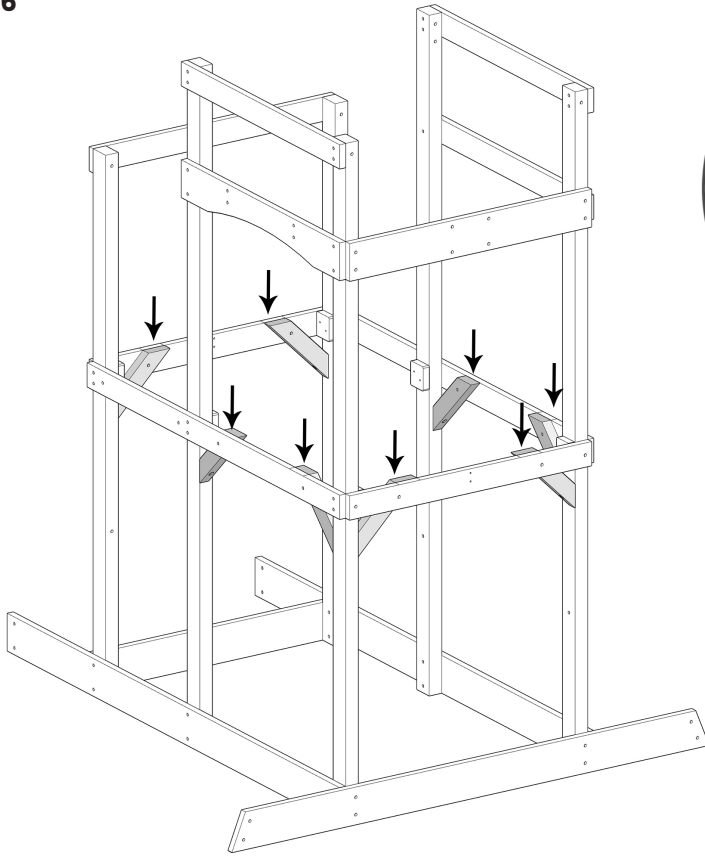


X6

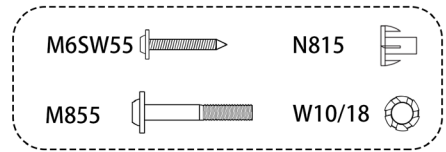


| List | |
|----------|-----|
| Part NO. | Qty |
| FA26 | 6 |
| SW50 | 12 |

STEP 6

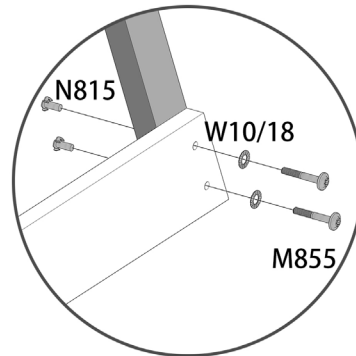
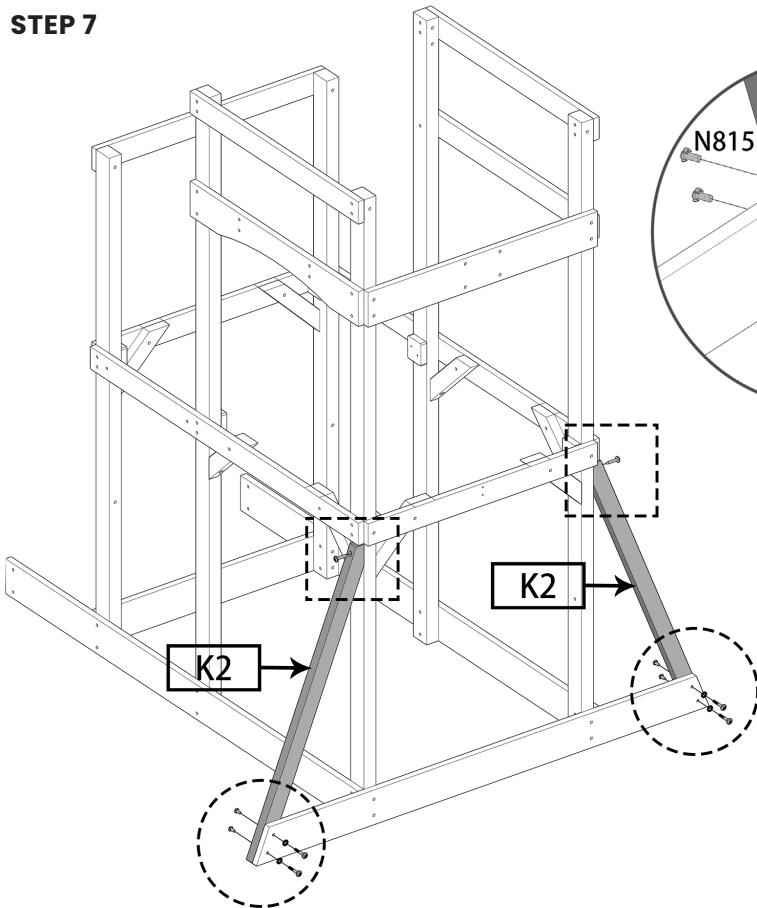


X8

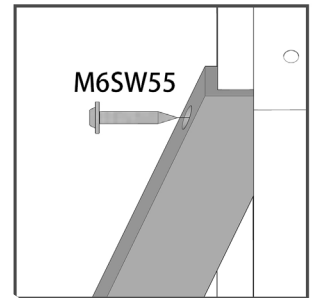


| List | |
|----------|-----|
| Part NO. | Qty |
| K33 | 8 |
| M855 | 8 |
| N815 | 8 |
| M6SW55 | 8 |
| W10/18 | 8 |

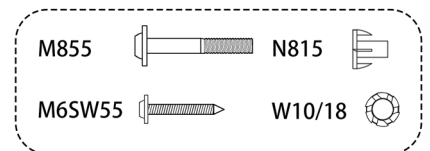
STEP 7



X2

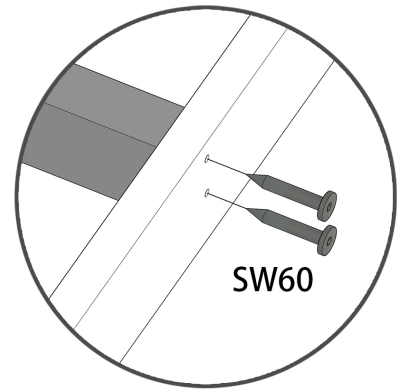
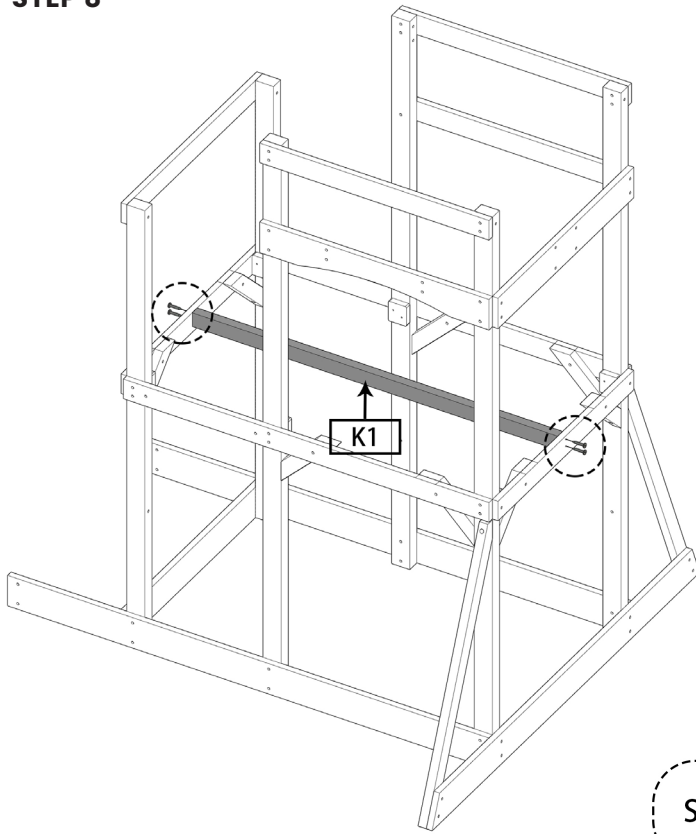


X2



| List | |
|----------|-----|
| Part NO. | Qty |
| K2 | 2 |
| M855 | 4 |
| N815 | 4 |
| M6SW55 | 2 |
| W10/18 | 4 |

STEP 8

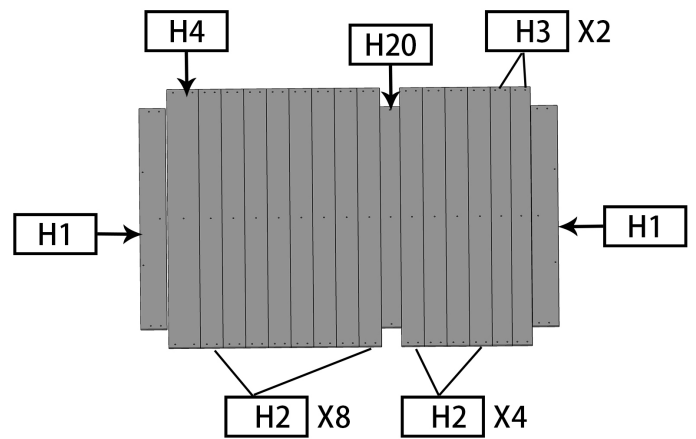
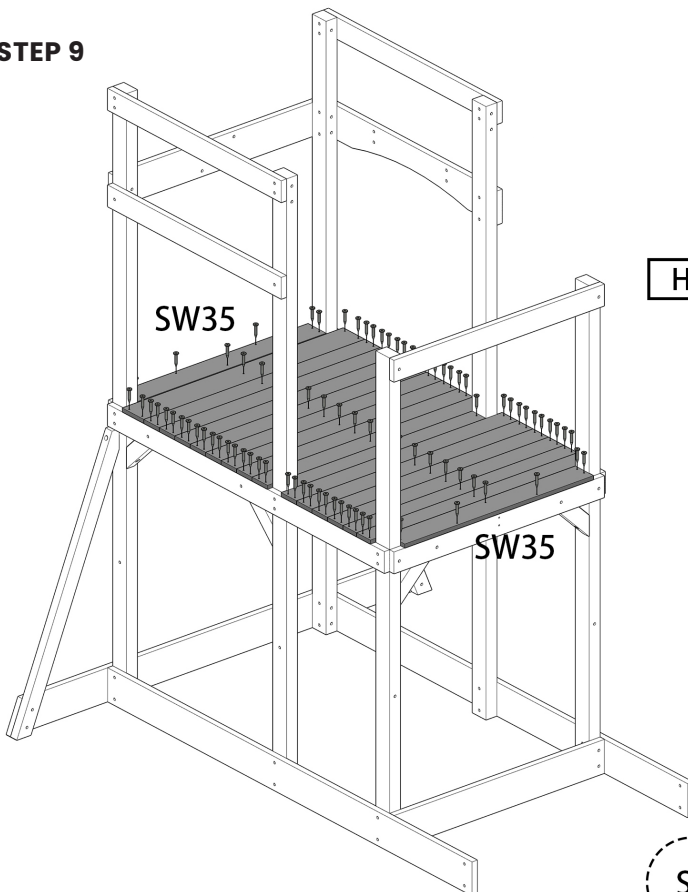


X2



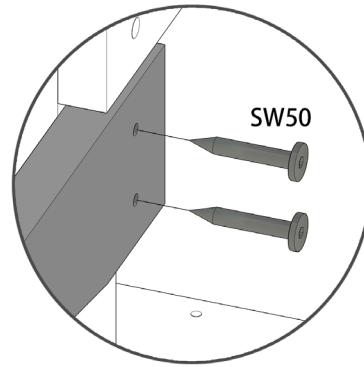
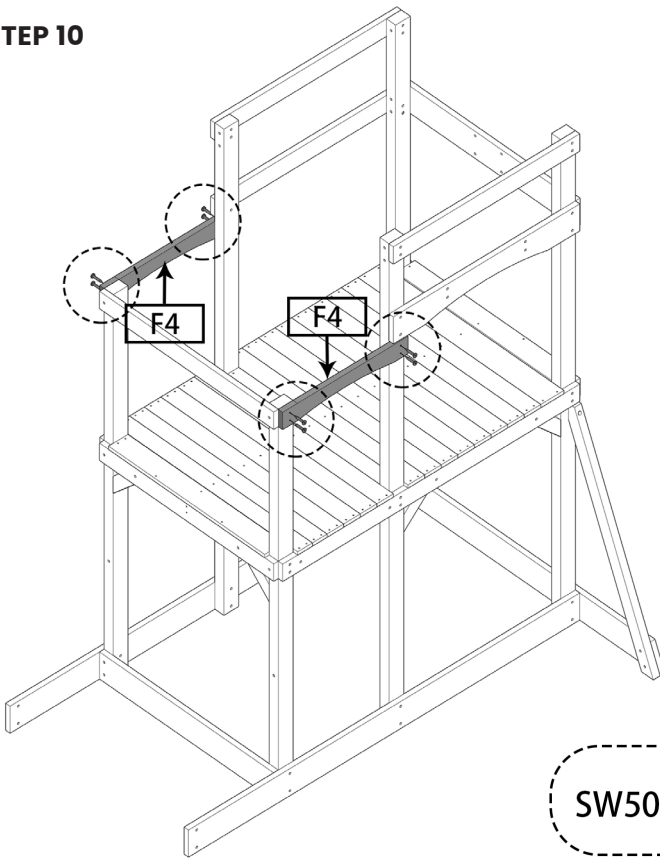
| List | |
|----------|-----|
| Part NO. | Qty |
| K1 | 1 |
| SW60 | 4 |

STEP 9

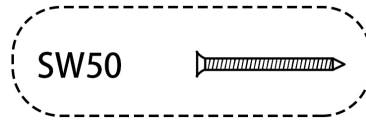


| List | |
|----------|-----|
| Part NO. | Qty |
| H1 | 2 |
| H2 | 12 |
| H3 | 2 |
| H4 | 1 |
| H20 | 1 |
| SW35 | 92 |

STEP 10

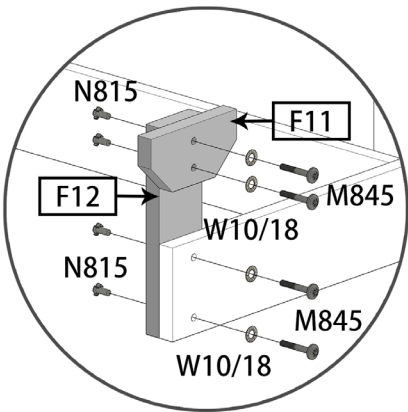


X4

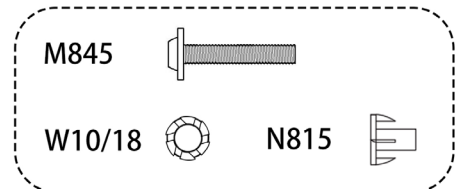
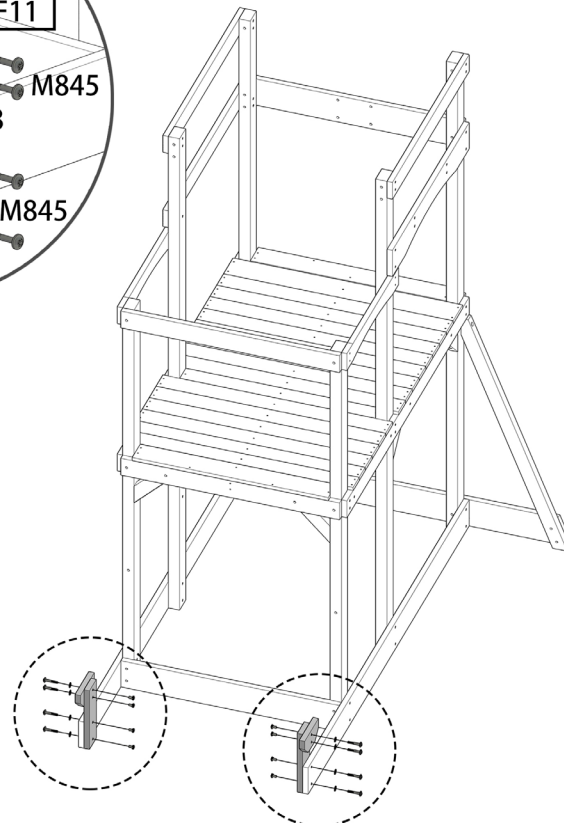


| List | |
|----------|-----|
| Part NO. | Qty |
| F4 | 2 |
| SW50 | 8 |

STEP 11

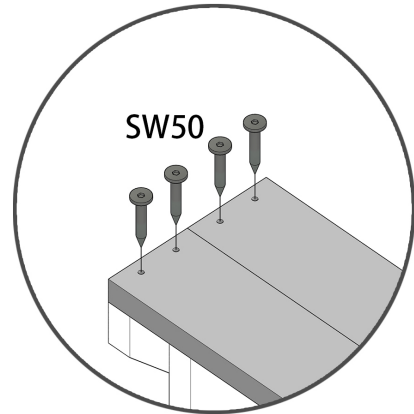
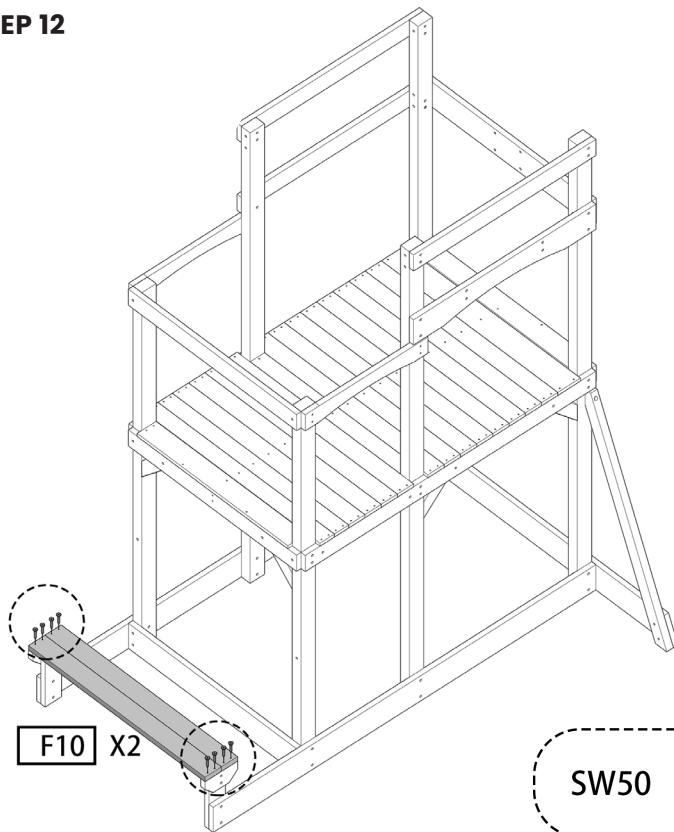


X2



| List | |
|----------|-----|
| Part NO. | Qty |
| F11 | 2 |
| F12 | 2 |
| M845 | 8 |
| N815 | 8 |
| W10/18 | 8 |

STEP 12

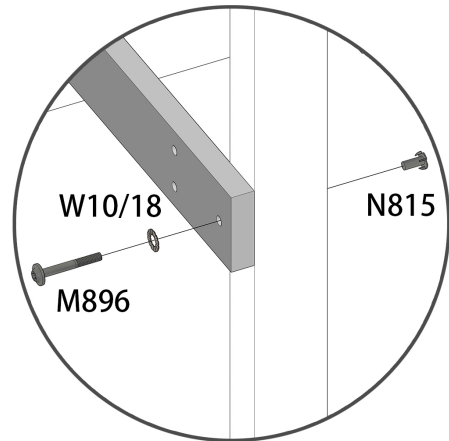
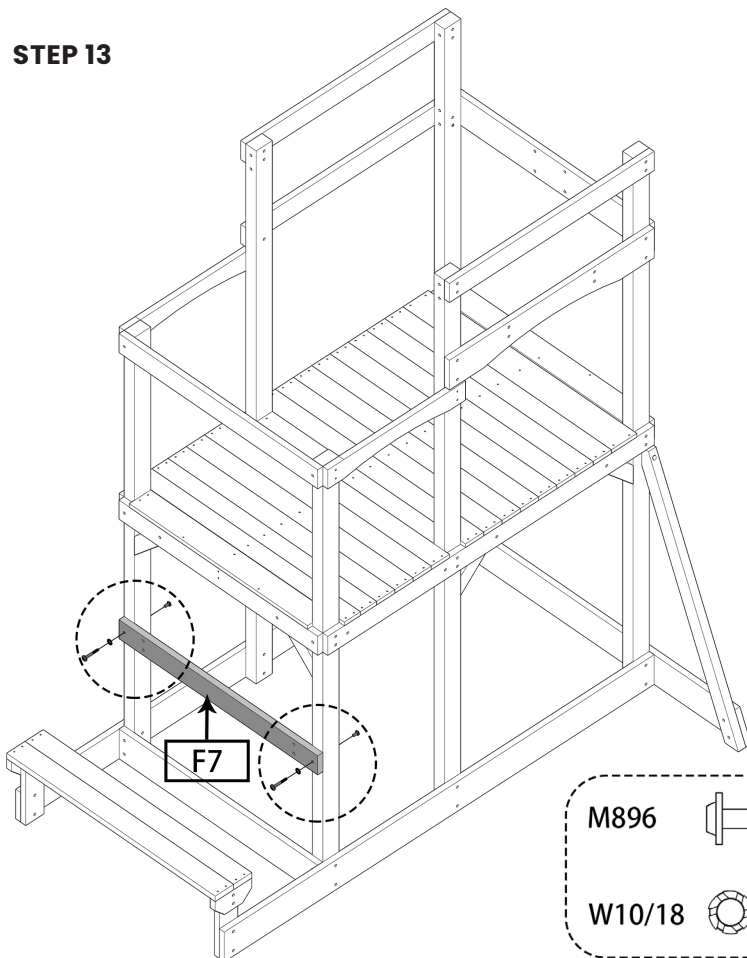


X2

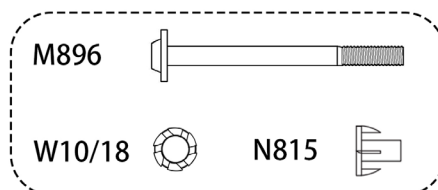


| List | |
|----------|-----|
| Part NO. | Qty |
| F10 | 2 |
| SW50 | 8 |

STEP 13

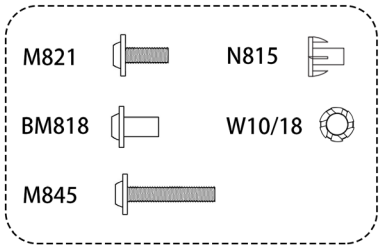
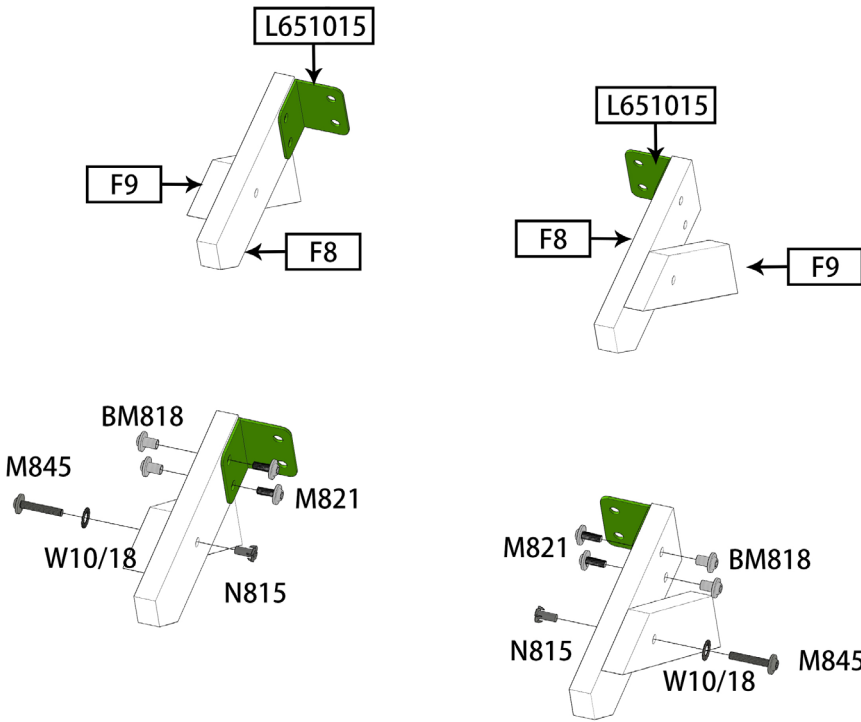


X2



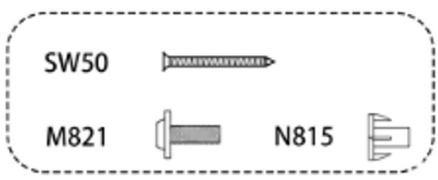
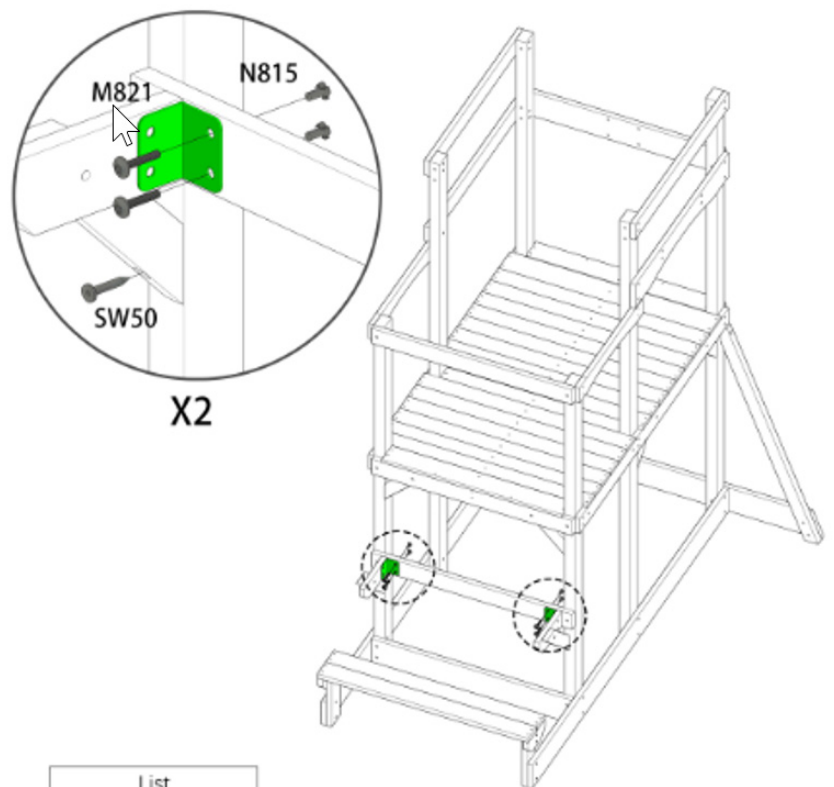
| List | |
|----------|-----|
| Part NO. | Qty |
| F7 | 1 |
| M896 | 2 |
| N815 | 2 |
| W10/18 | 2 |

STEP 14



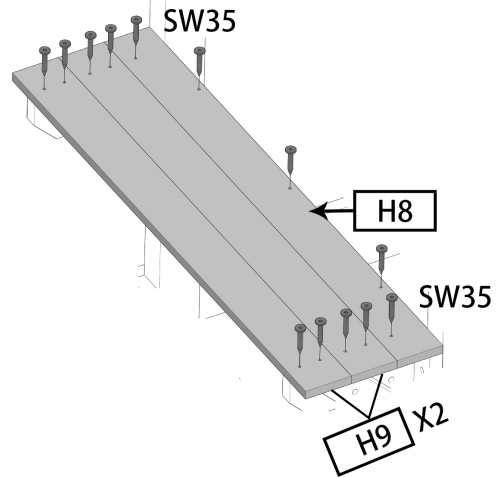
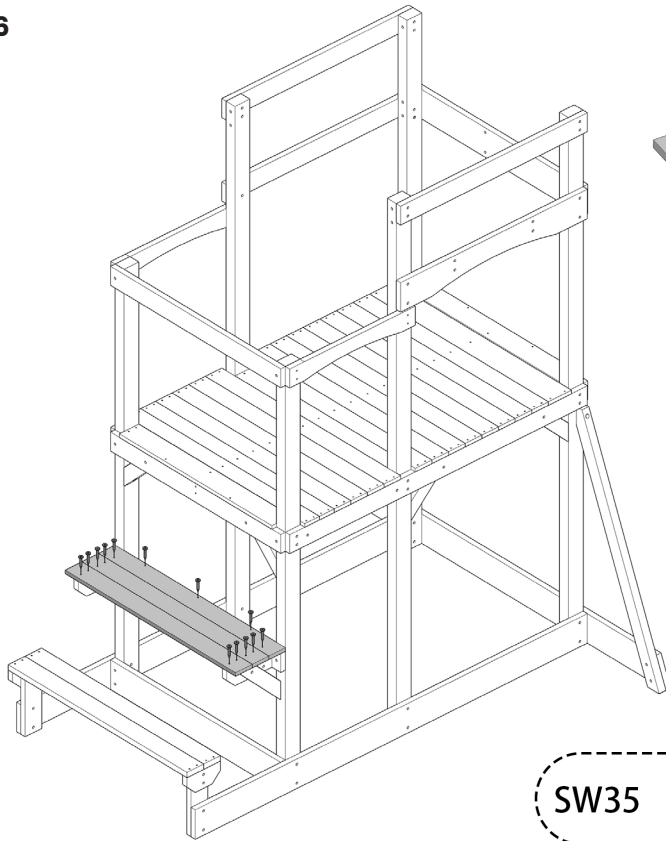
| List | |
|----------|-----|
| Part NO. | Qty |
| L651015 | 2 |
| F8 | 2 |
| F9 | 2 |
| M821 | 4 |
| M845 | 2 |
| BM818 | 4 |
| N815 | 2 |
| W10/18 | 2 |

STEP 15



| List | |
|----------|-----|
| Part NO. | Qty |
| M821 | 4 |
| N815 | 4 |
| SW50 | 2 |

STEP 16

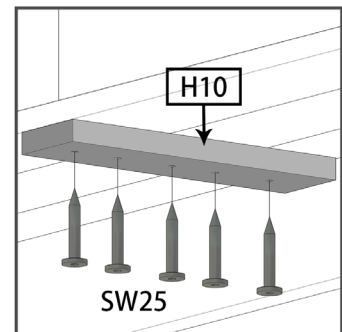
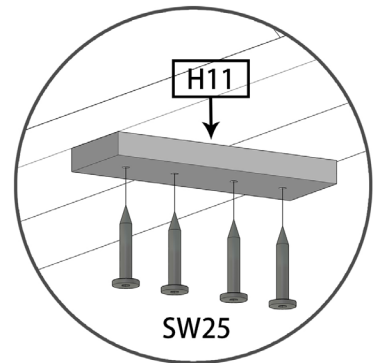
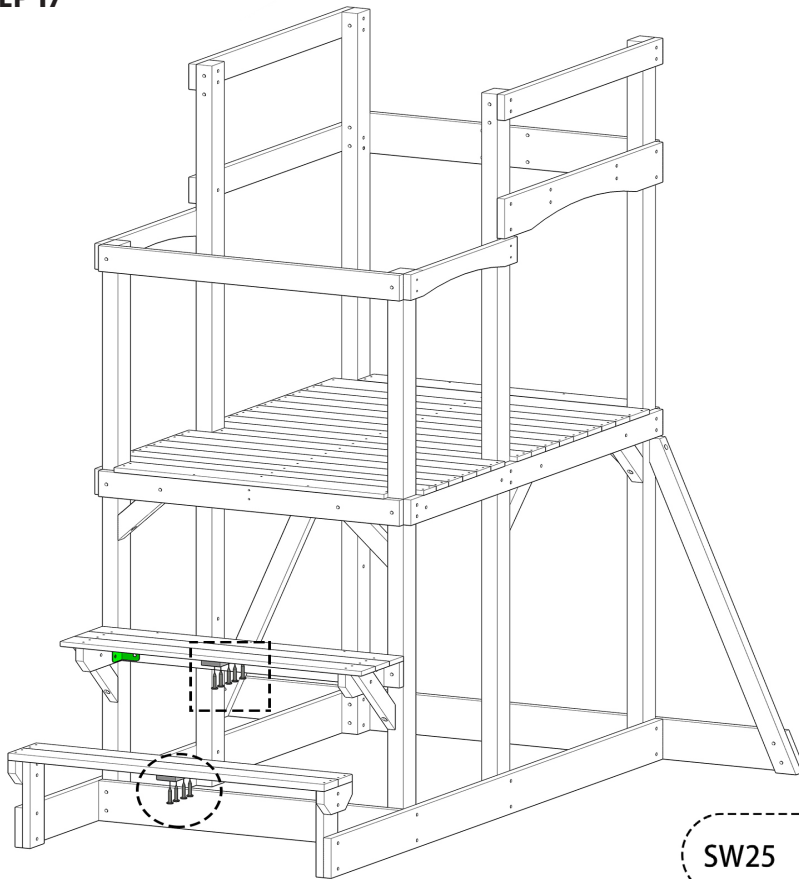


SW35



| List | |
|----------|-----|
| Part NO. | Qty |
| H8 | 1 |
| H9 | 2 |
| SW35 | 13 |

STEP 17

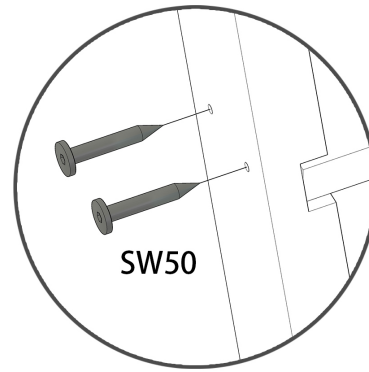
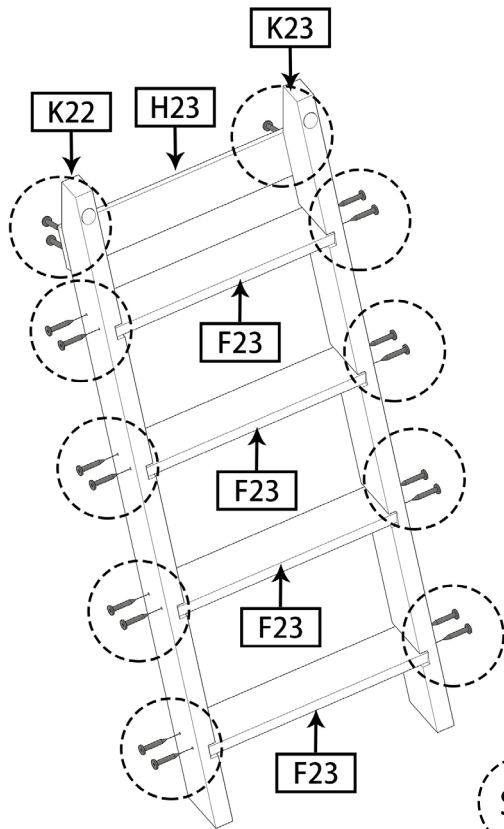


SW25



| List | |
|----------|-----|
| Part NO. | Qty |
| H10 | 1 |
| H11 | 1 |
| SW25 | 9 |

STEP 18



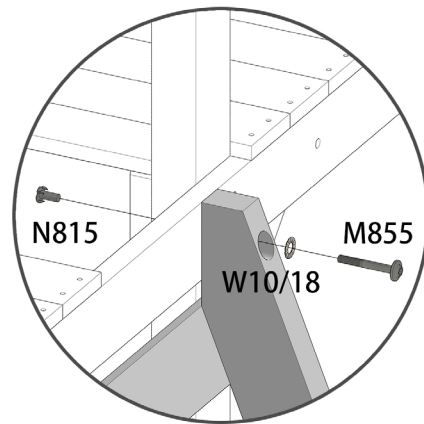
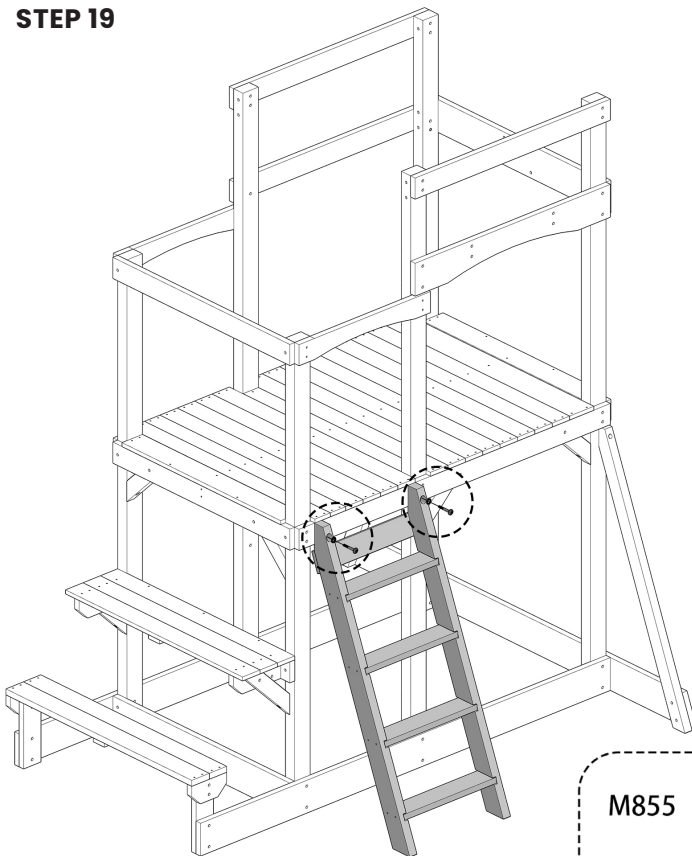
SW50

X10



| List | |
|----------|-----|
| Part NO. | Qty |
| F23 | 4 |
| H23 | 1 |
| K22 | 1 |
| K23 | 1 |
| SW50 | 20 |

STEP 19

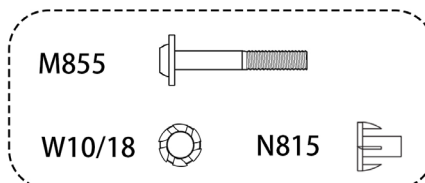


N815

W10/18

M855

X2



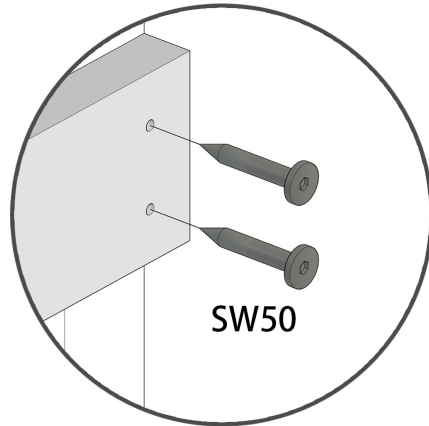
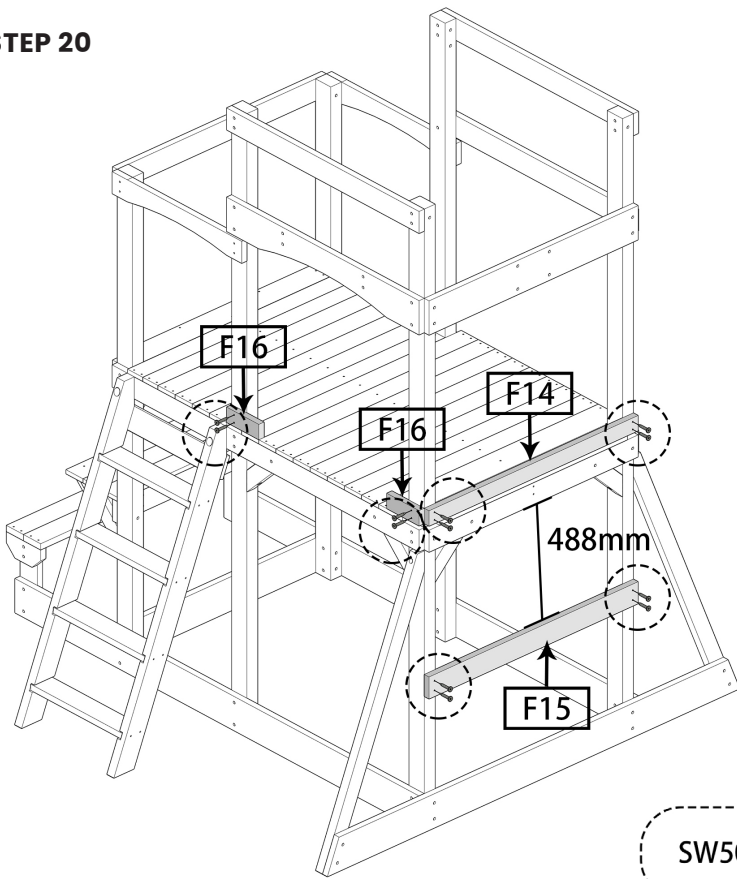
M855

W10/18

N815

| List | |
|----------|-----|
| Part NO. | Qty |
| M855 | 2 |
| N815 | 2 |
| W10/18 | 2 |

STEP 20



SW50

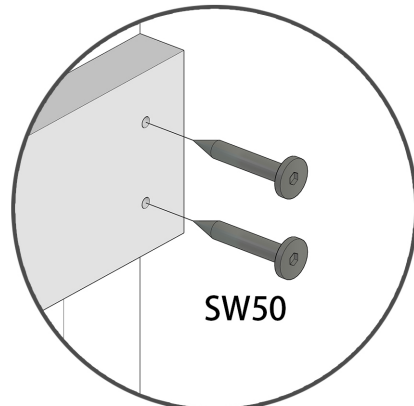
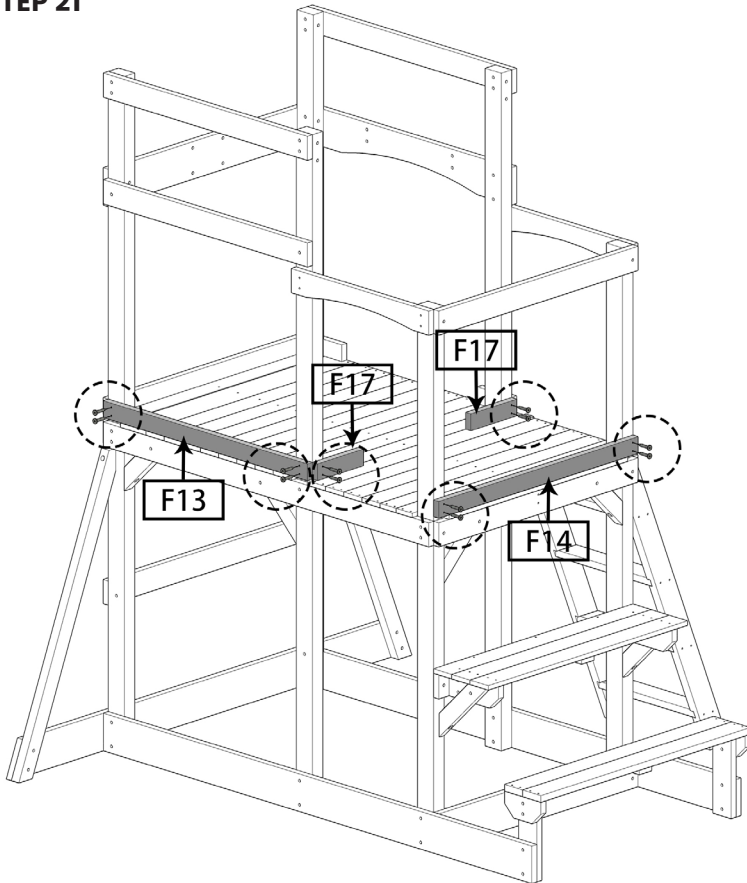
X6

SW50



| List | |
|----------|-----|
| Part NO. | Qty |
| F14 | 1 |
| F15 | 1 |
| F16 | 2 |
| SW50 | 12 |

STEP 21



SW50

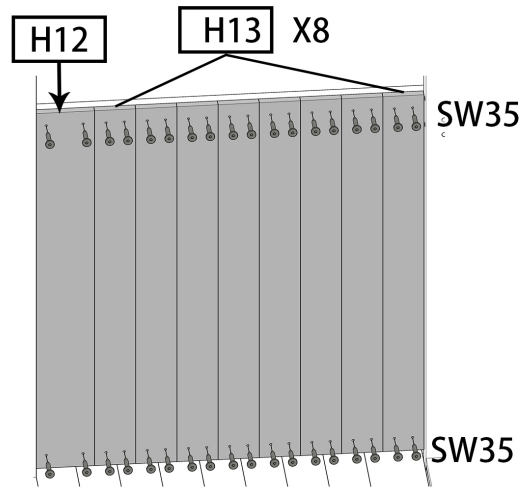
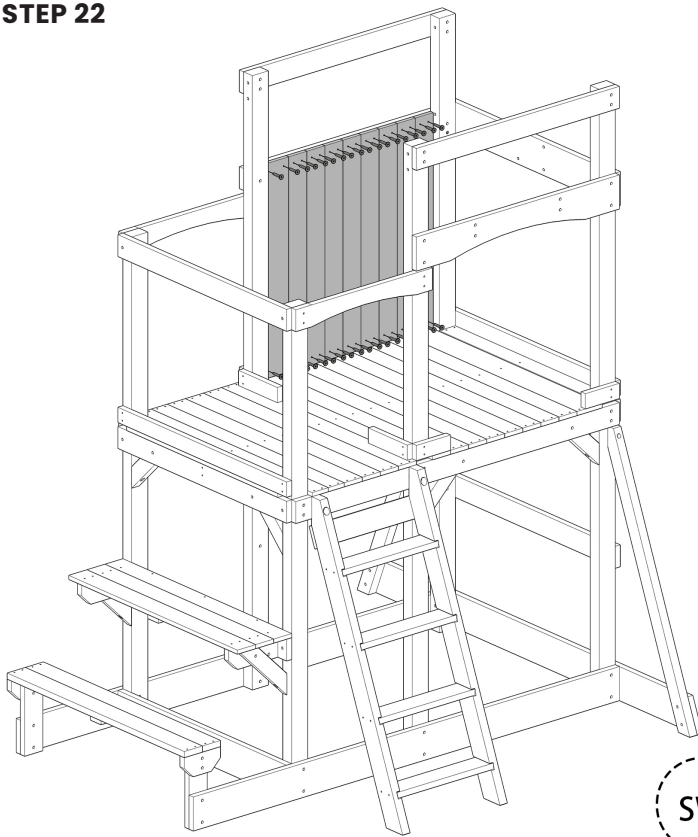
X6

SW50



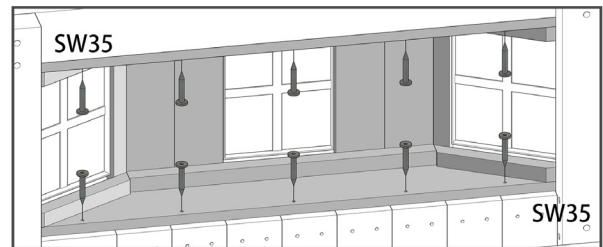
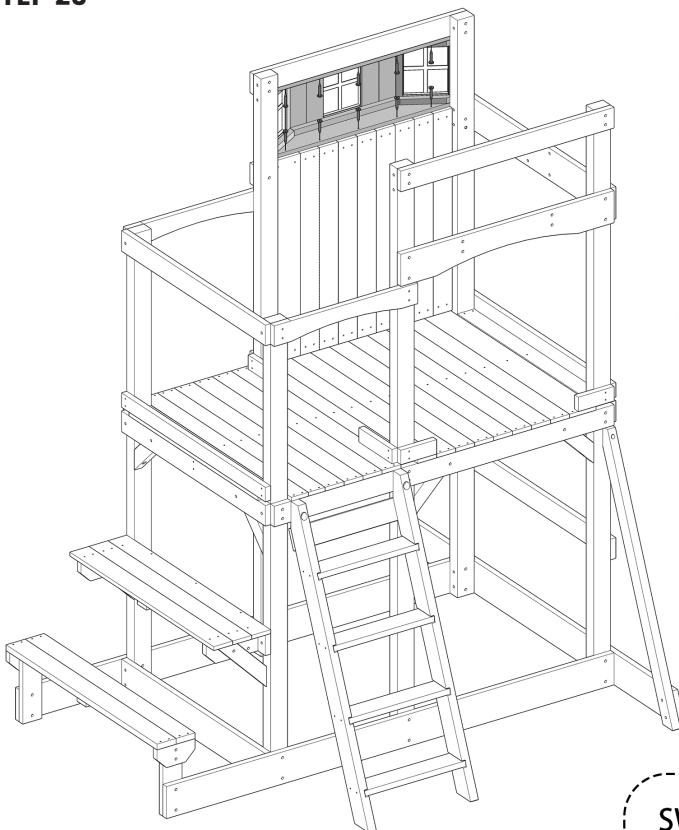
| List | |
|----------|-----|
| Part NO. | Qty |
| F13 | 1 |
| F14 | 1 |
| F17 | 2 |
| SW50 | 12 |

STEP 22



| List | |
|----------|-----|
| Part NO. | Qty |
| H12 | 1 |
| H13 | 8 |
| SW35 | 36 |

STEP 23

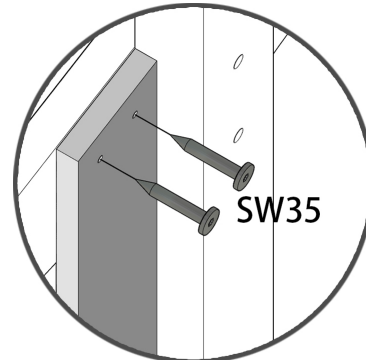
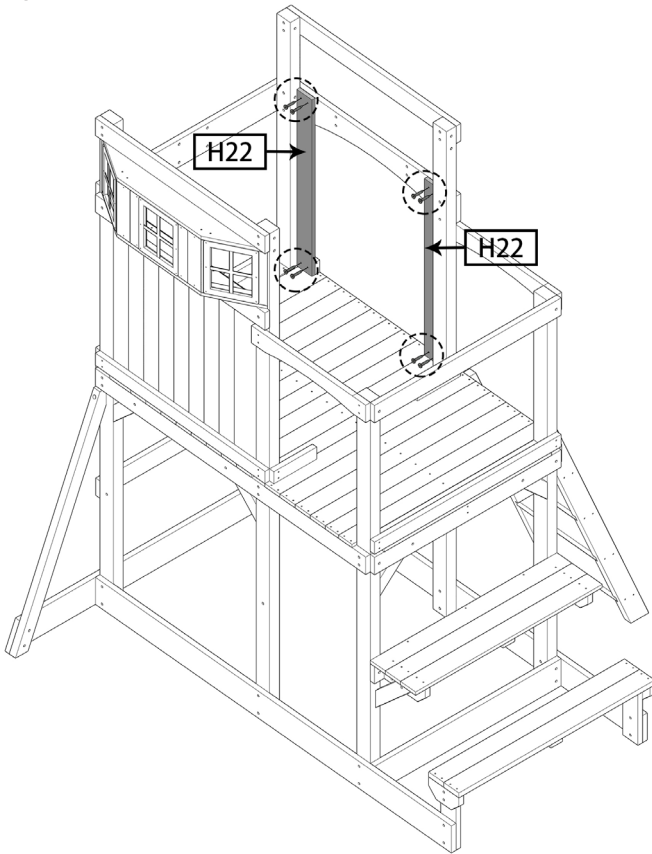


SILL

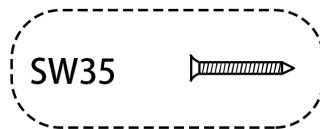


| List | |
|----------|-----|
| Part NO. | Qty |
| SW35 | 10 |
| SILL | 1 |

STEP 24

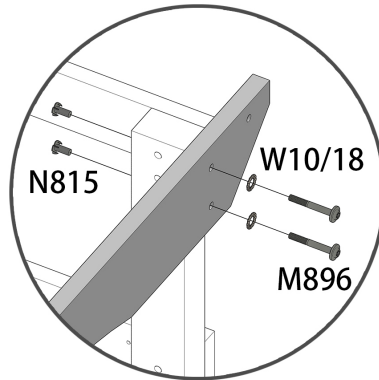
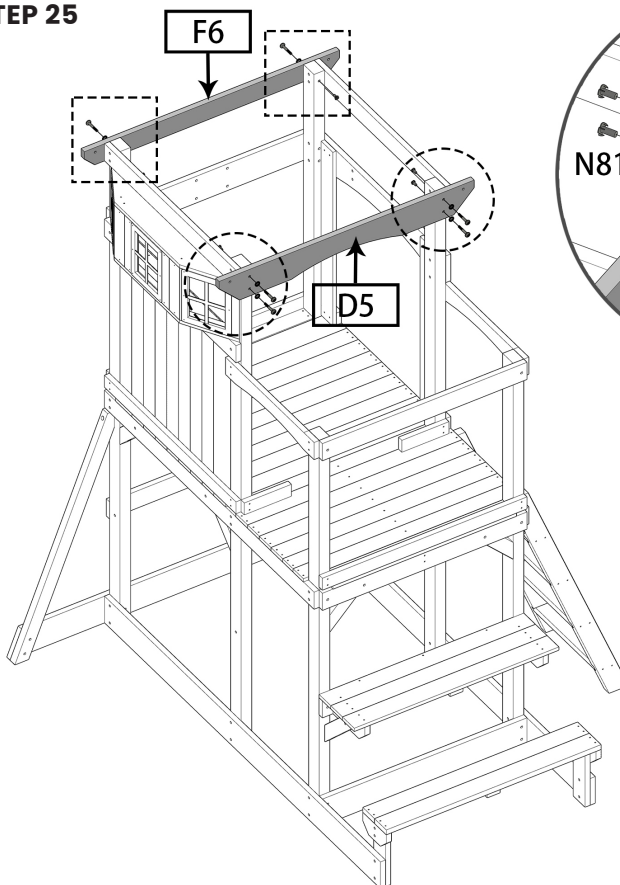


X4

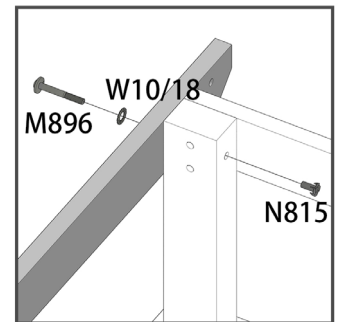


| List | |
|----------|-----|
| Part NO. | Qty |
| H22 | 2 |
| SW35 | 8 |

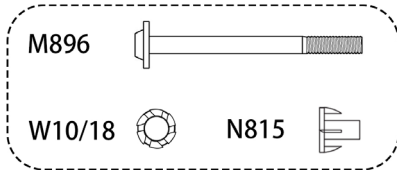
STEP 25



X2

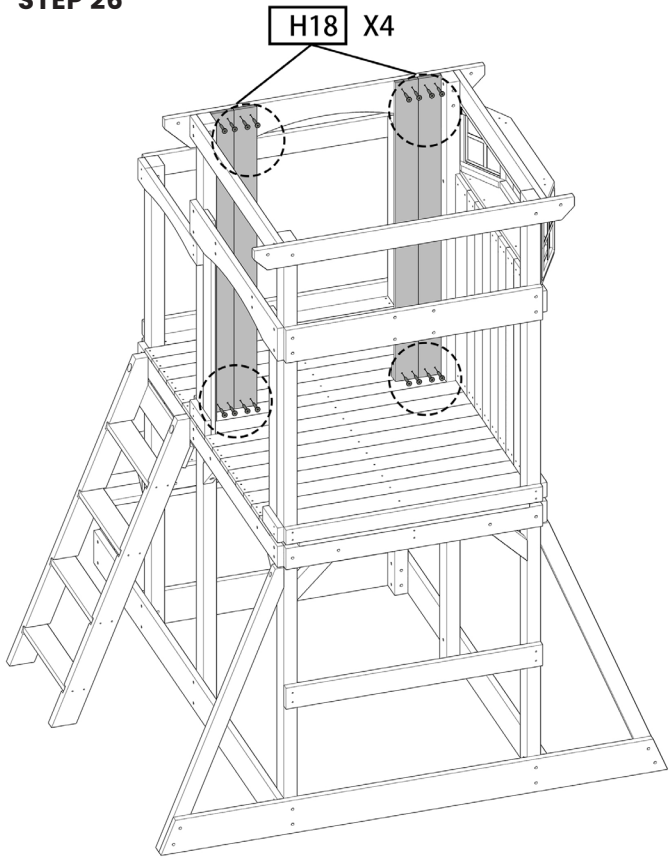


X2

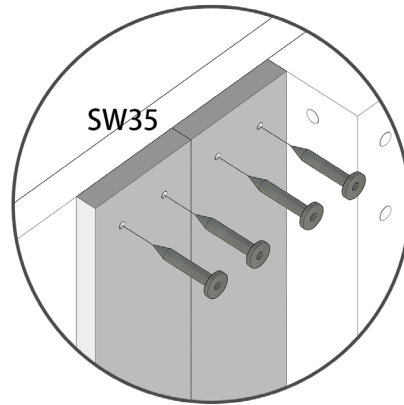


| List | |
|----------|-----|
| Part NO. | Qty |
| D5 | 1 |
| F6 | 1 |
| M896 | 6 |
| N815 | 6 |
| W10/18 | 6 |

STEP 26



H18 X4



SW35

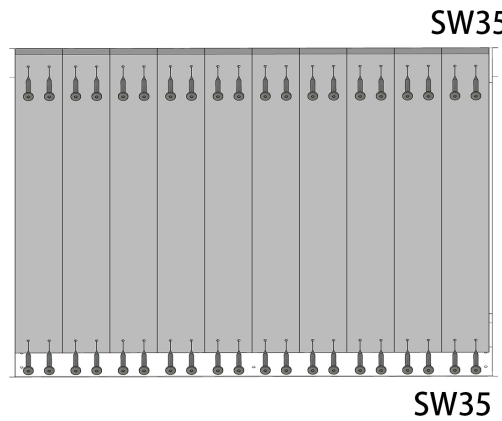
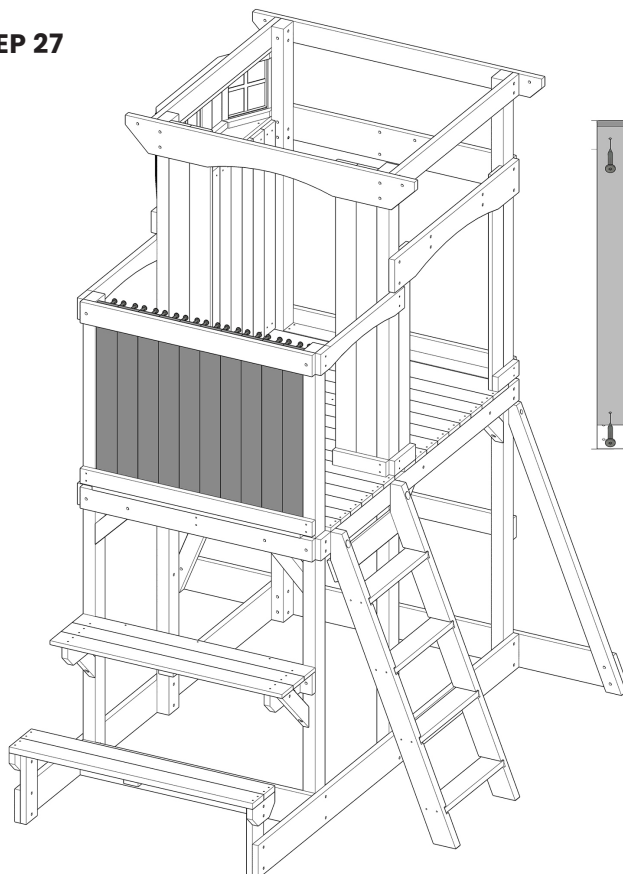
X4



SW35

| List | |
|----------|-----|
| Part NO. | Qty |
| H18 | 4 |
| SW35 | 16 |

STEP 27



SW35

H14 X10

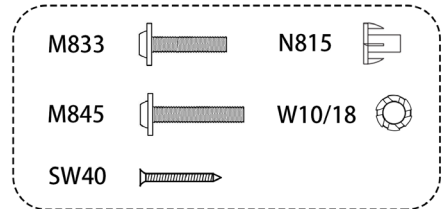
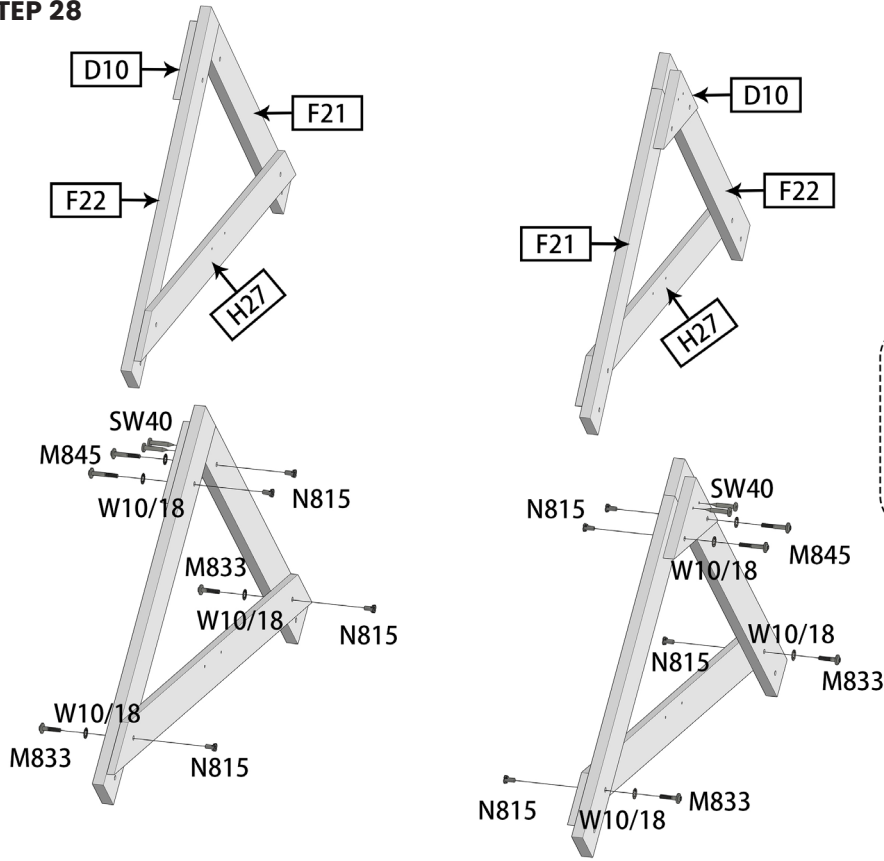
SW35



SW35

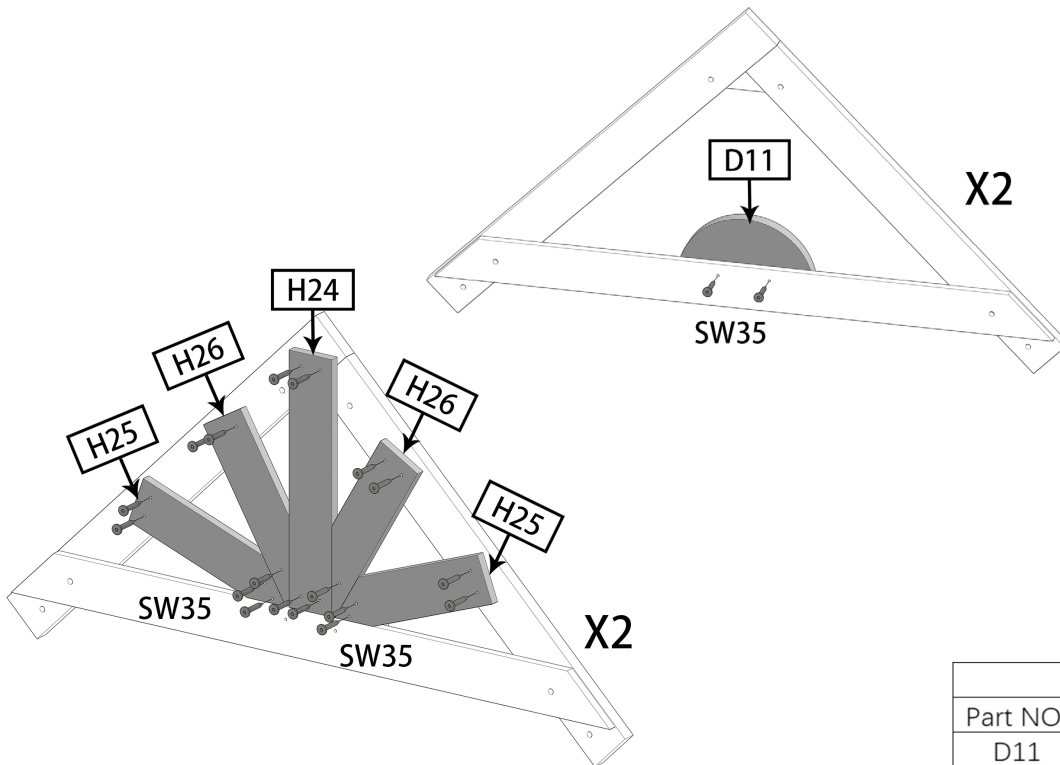
| List | |
|----------|-----|
| Part NO. | Qty |
| H14 | 10 |
| SW35 | 40 |

STEP 28



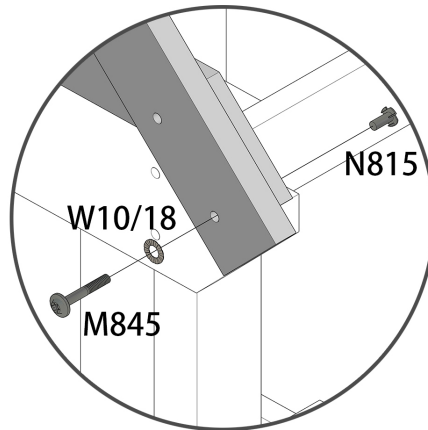
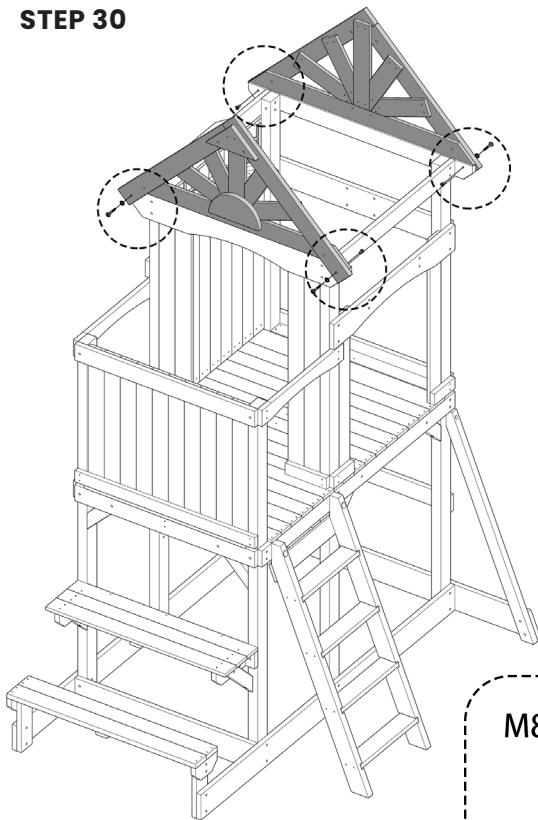
| List | |
|----------|-----|
| Part NO. | Qty |
| D10 | 2 |
| F21 | 2 |
| F22 | 2 |
| H27 | 2 |
| M833 | 4 |
| M845 | 4 |
| N815 | 8 |
| SW40 | 4 |
| W10/18 | 8 |

STEP 29

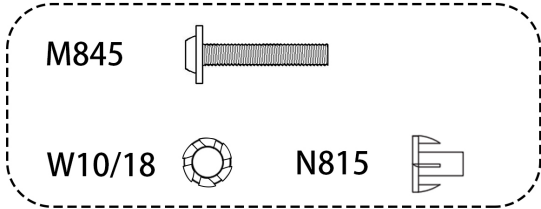


| List | |
|----------|-----|
| Part NO. | Qty |
| D11 | 2 |
| H24 | 2 |
| H25 | 4 |
| H26 | 4 |
| SW35 | 40 |

STEP 30

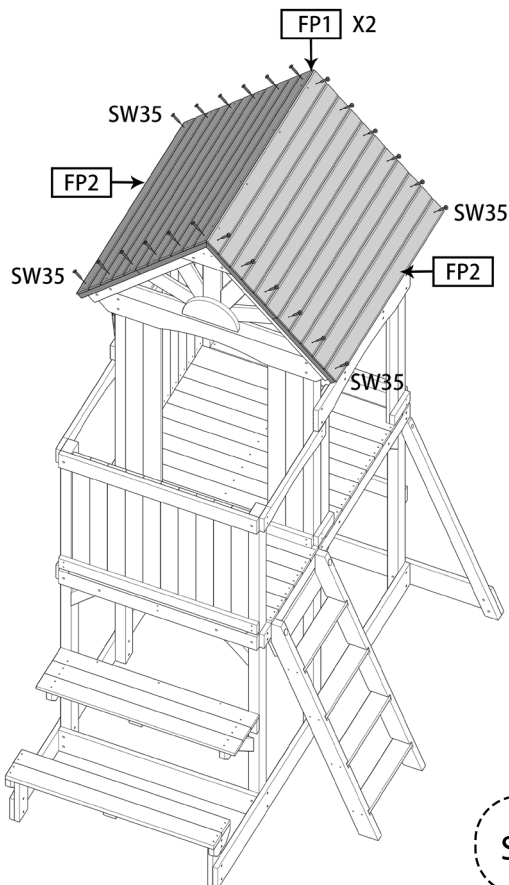


X4



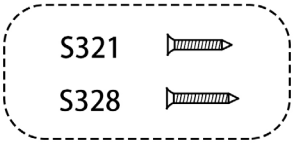
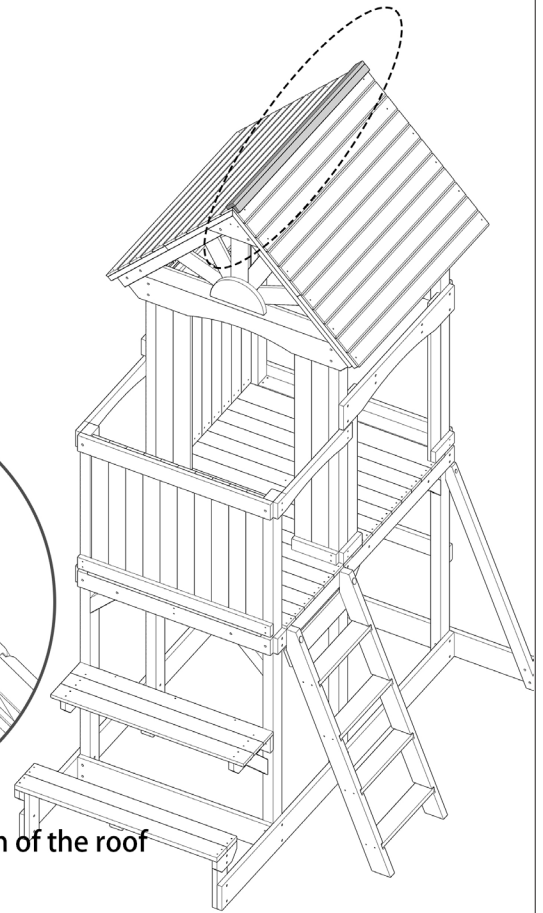
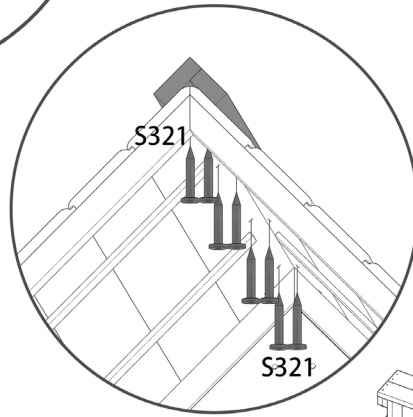
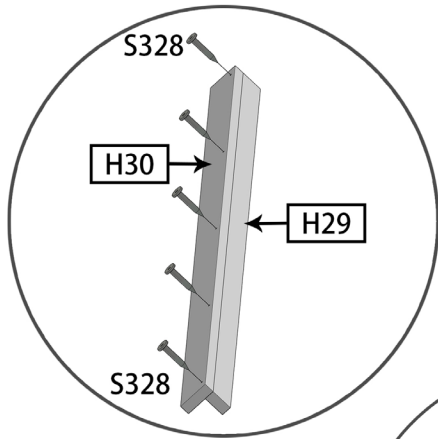
| List | |
|----------|-----|
| Part NO. | Qty |
| M845 | 4 |
| N815 | 4 |
| W10/18 | 4 |

STEP 31



| List | |
|----------|-----|
| Part NO. | Qty |
| FP1 | 2 |
| FP2 | 2 |
| SW35 | 24 |

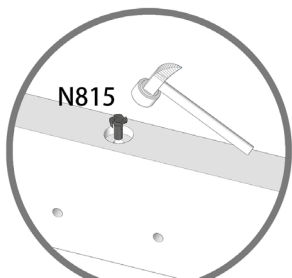
STEP 32



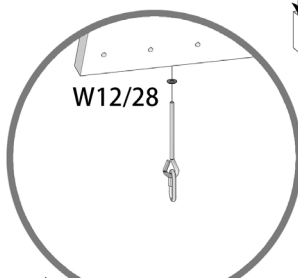
| List | |
|----------|-----|
| Part NO. | Qty |
| H29 | 1 |
| H30 | 1 |
| S321 | 8 |
| S328 | 5 |

Screws lock from the bottom of the roof

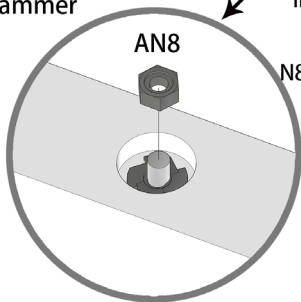
STEP 33



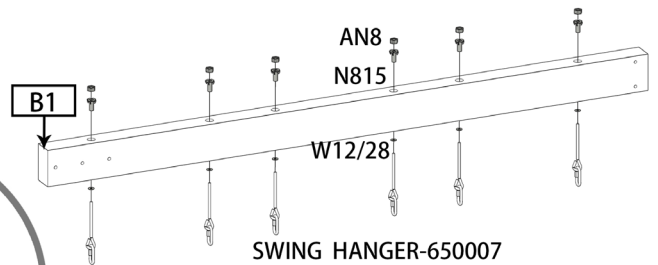
Insert the N815 into the beam by hammer



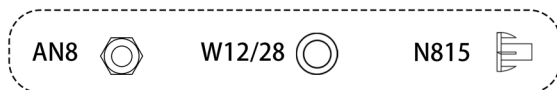
Insert the swing hanger into the beam and fix them with nuts N815 as tightly as possible



Fix the AN8 as tightly as possible

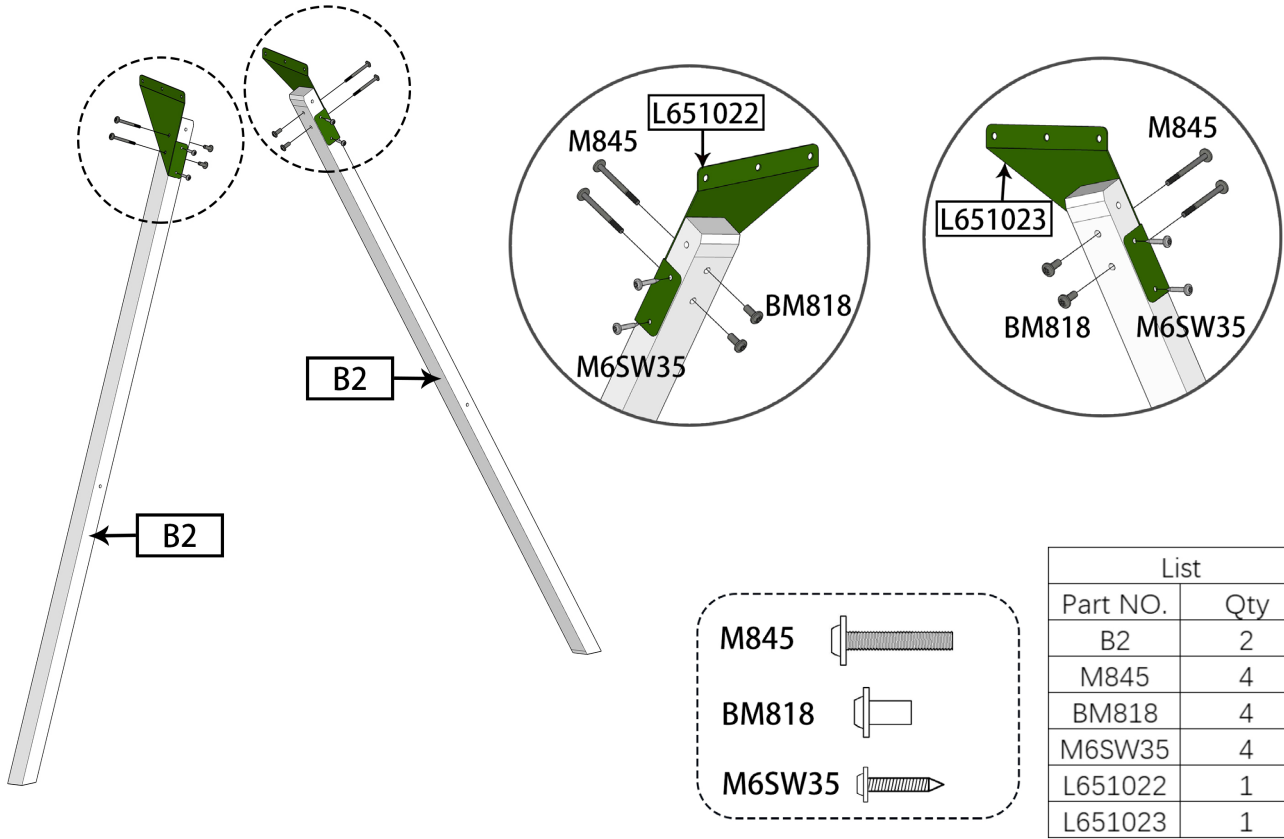


SWING HANGER-650007



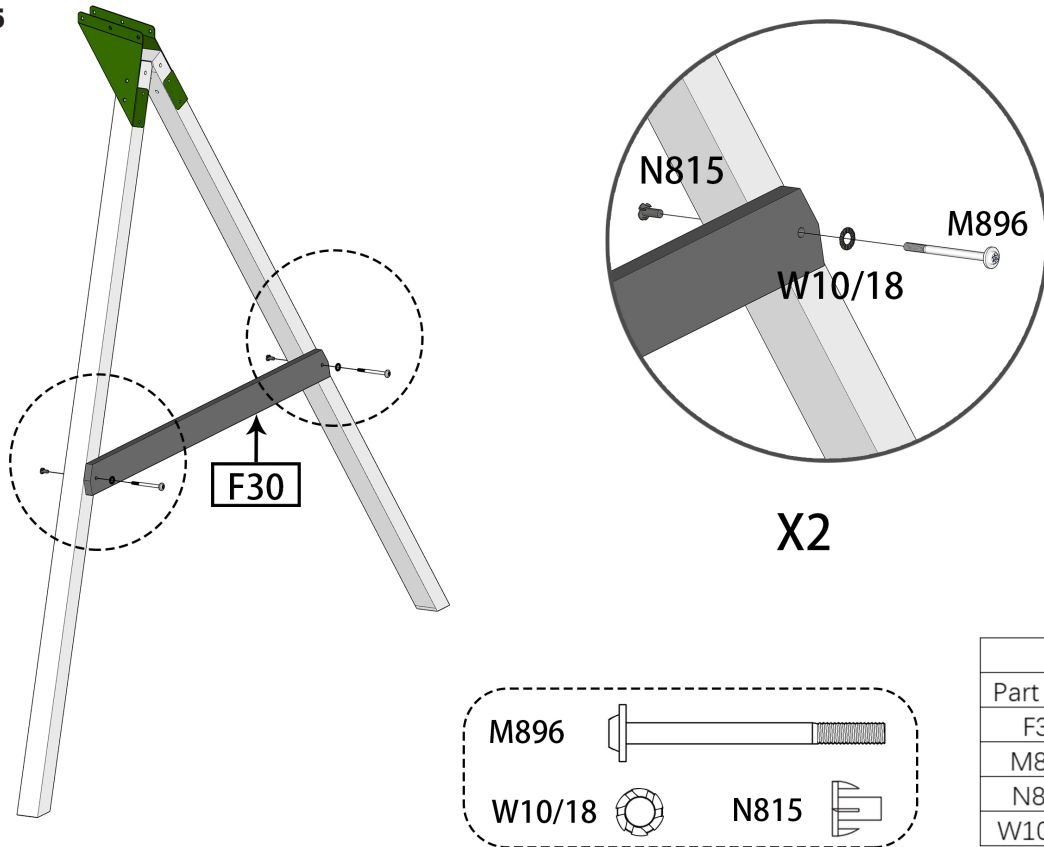
| List | |
|----------|-----|
| Part NO. | Qty |
| B1 | 1 |
| 650007 | 6 |
| N815 | 6 |
| AN8 | 6 |
| W12/18 | 6 |

STEP 34



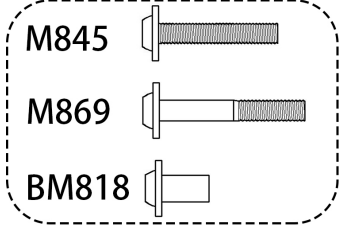
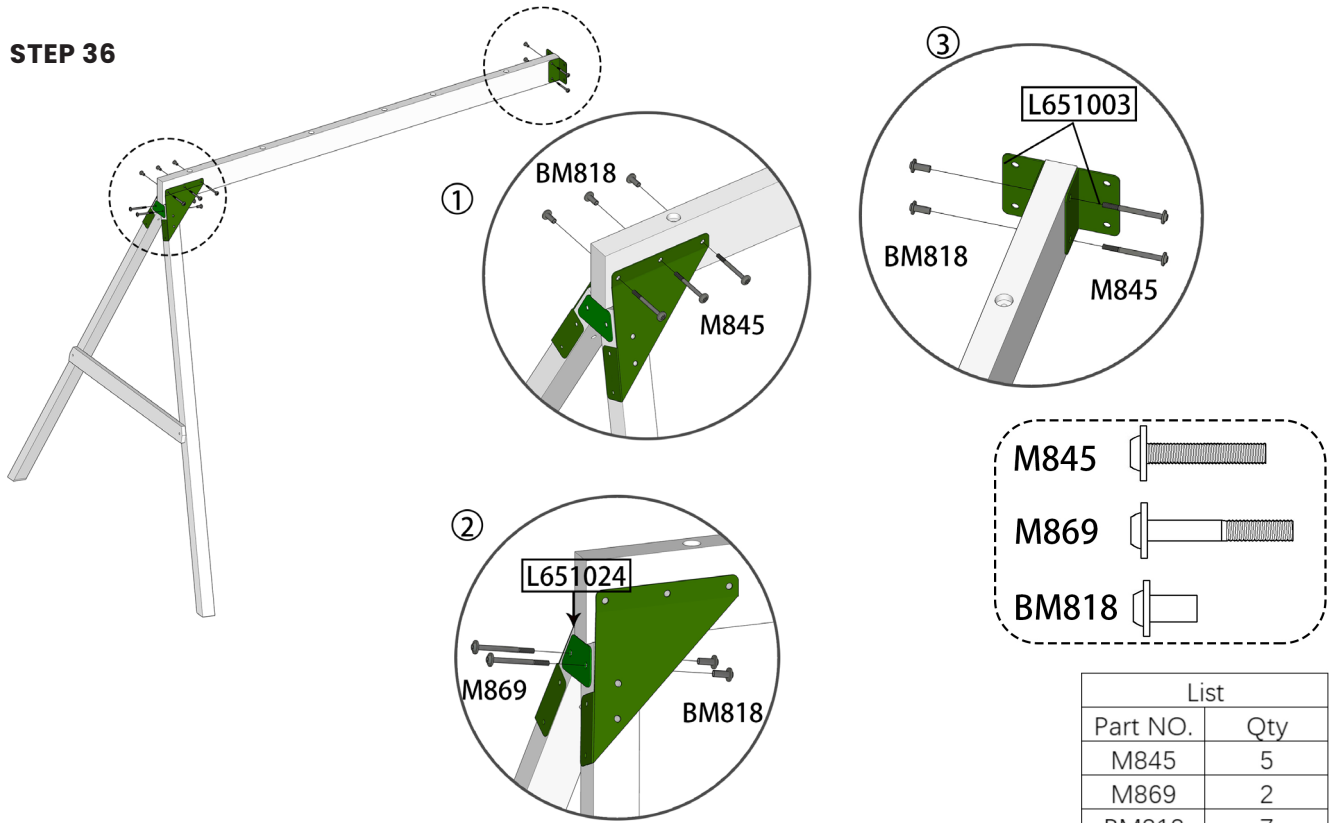
| List | |
|----------|-----|
| Part NO. | Qty |
| B2 | 2 |
| M845 | 4 |
| BM818 | 4 |
| M6SW35 | 4 |
| L651022 | 1 |
| L651023 | 1 |

STEP 35



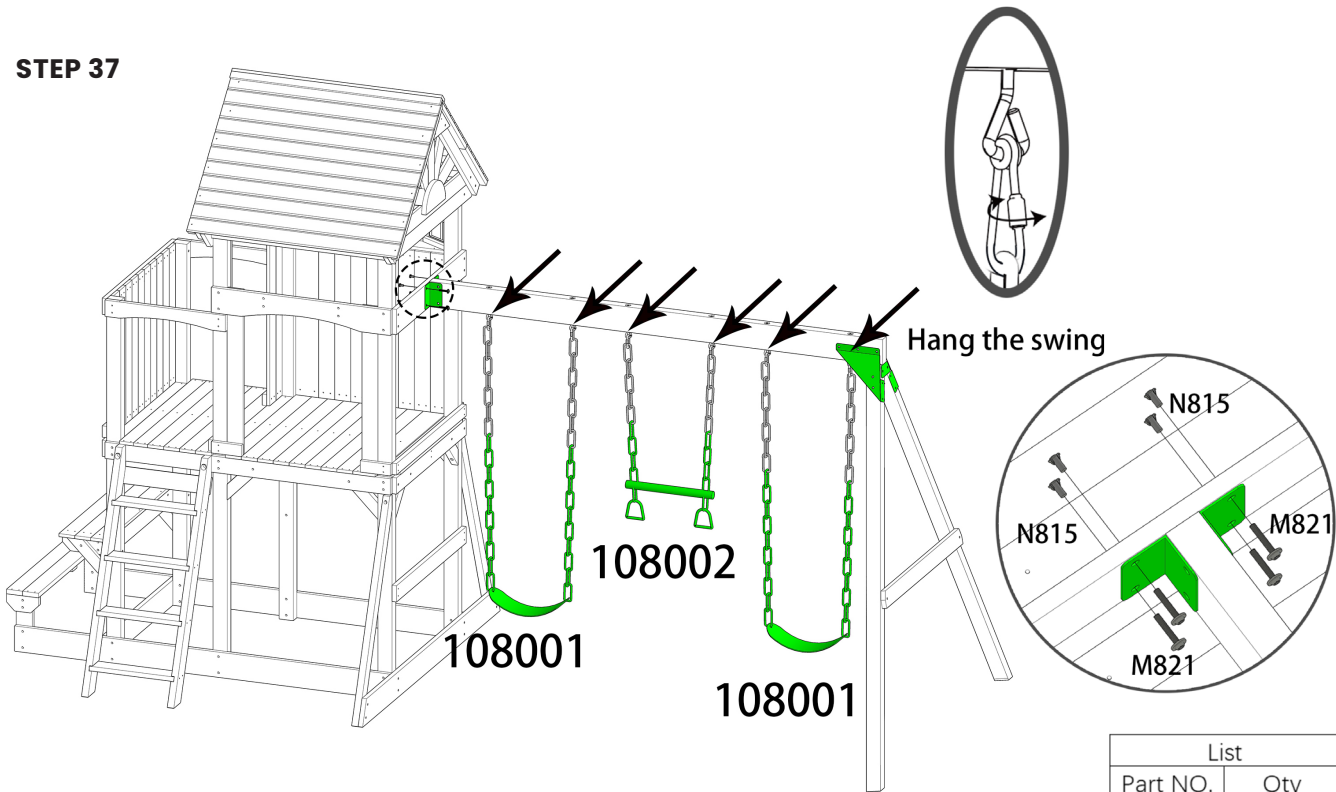
| List | |
|----------|-----|
| Part NO. | Qty |
| F30 | 1 |
| M896 | 2 |
| N815 | 2 |
| W10/18 | 2 |

STEP 36



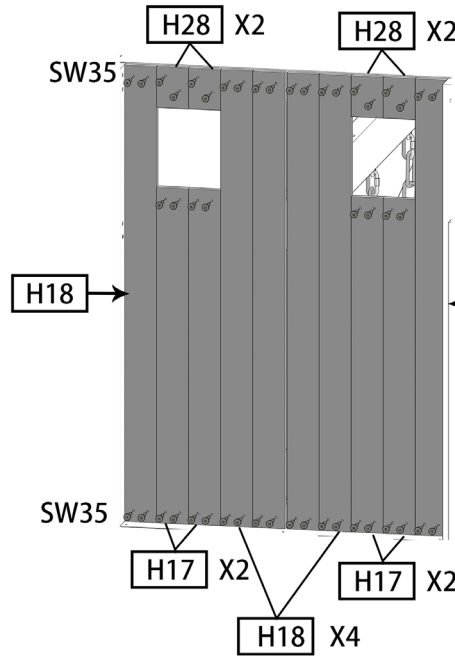
| List | |
|----------|-----|
| Part NO. | Qty |
| M845 | 5 |
| M869 | 2 |
| BM818 | 7 |
| L651024 | 1 |
| L651003 | 2 |

STEP 37

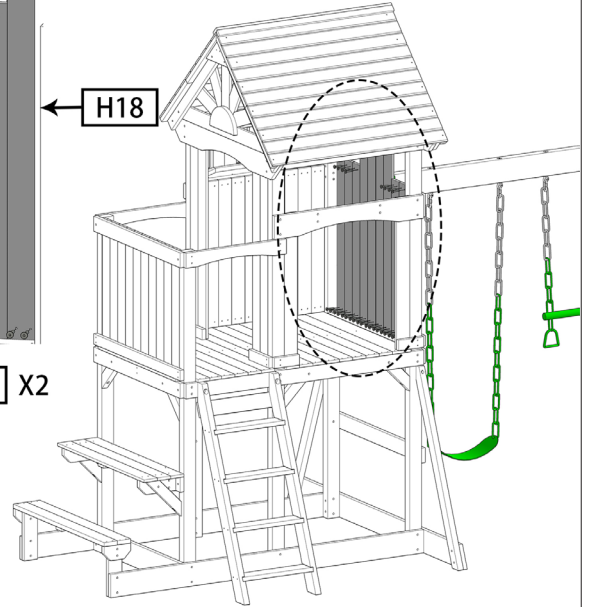
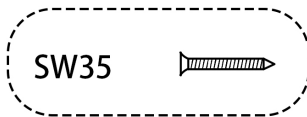


| List | |
|----------|-----|
| Part NO. | Qty |
| M821 | 4 |
| N815 | 4 |
| 108002 | 1 |
| 108001 | 2 |

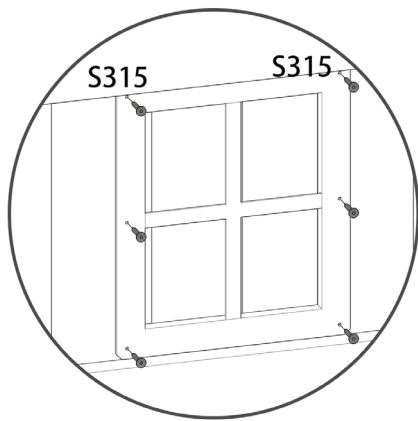
STEP 38



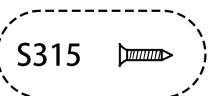
| List | |
|----------|-----|
| Part NO. | Qty |
| H17 | 4 |
| H18 | 6 |
| H28 | 4 |
| SW35 | 48 |



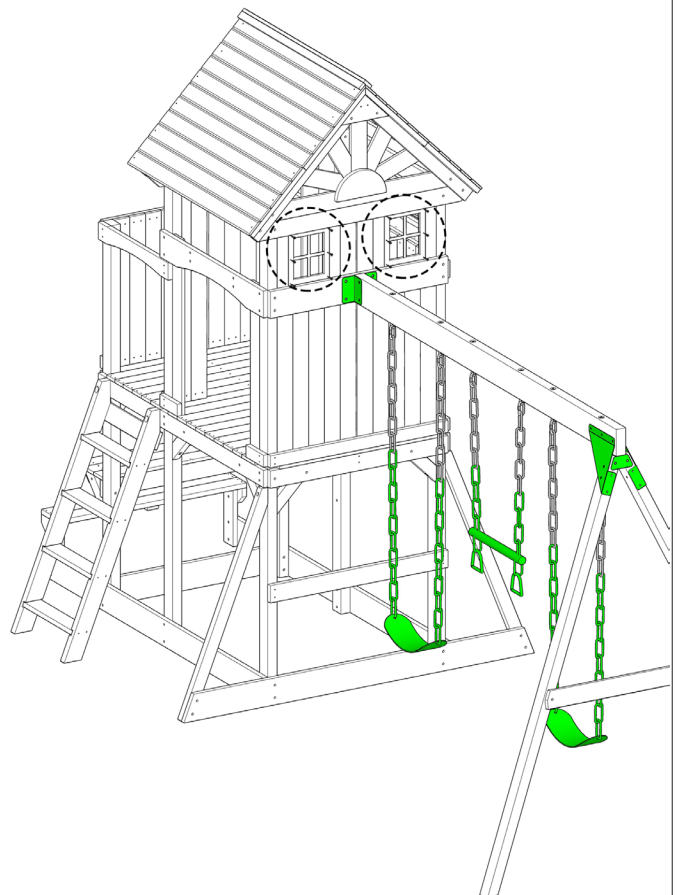
STEP 39



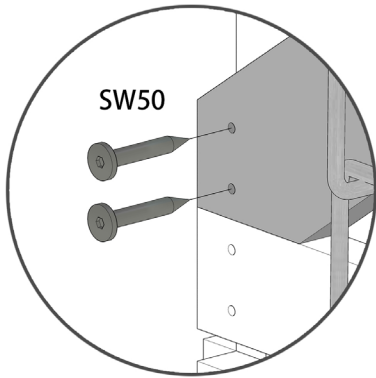
650051 X2



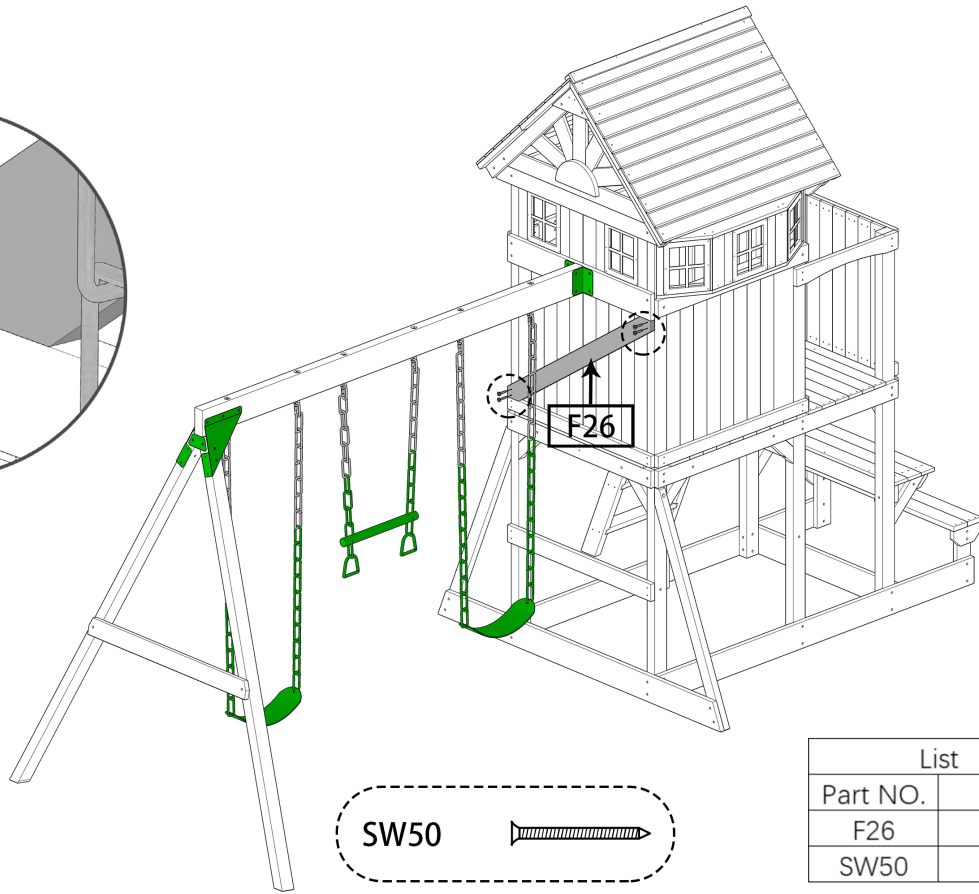
| List | |
|----------|-----|
| Part NO. | Qty |
| S315 | 12 |
| 650051 | 2 |



STEP 40

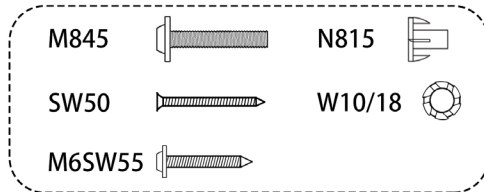
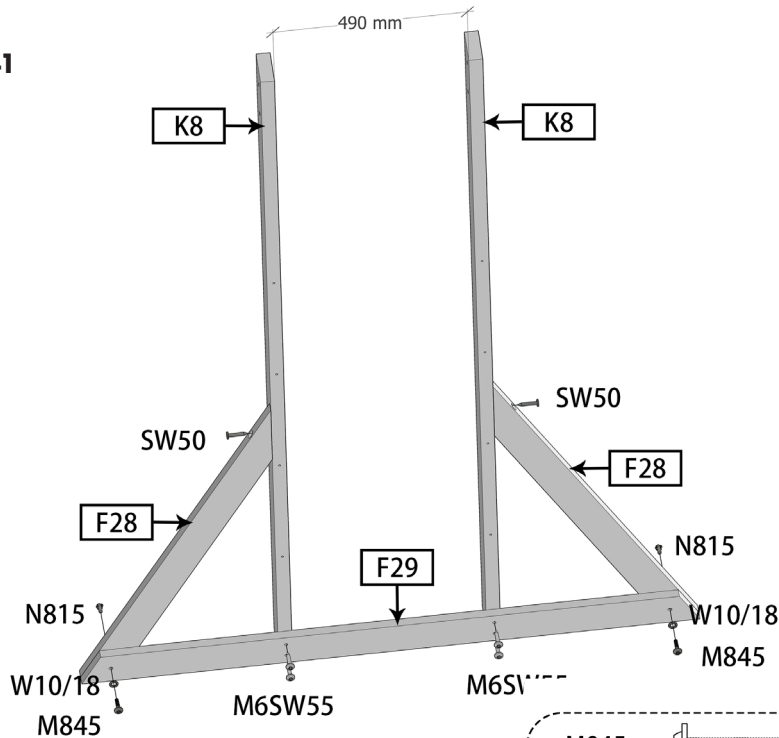


X2



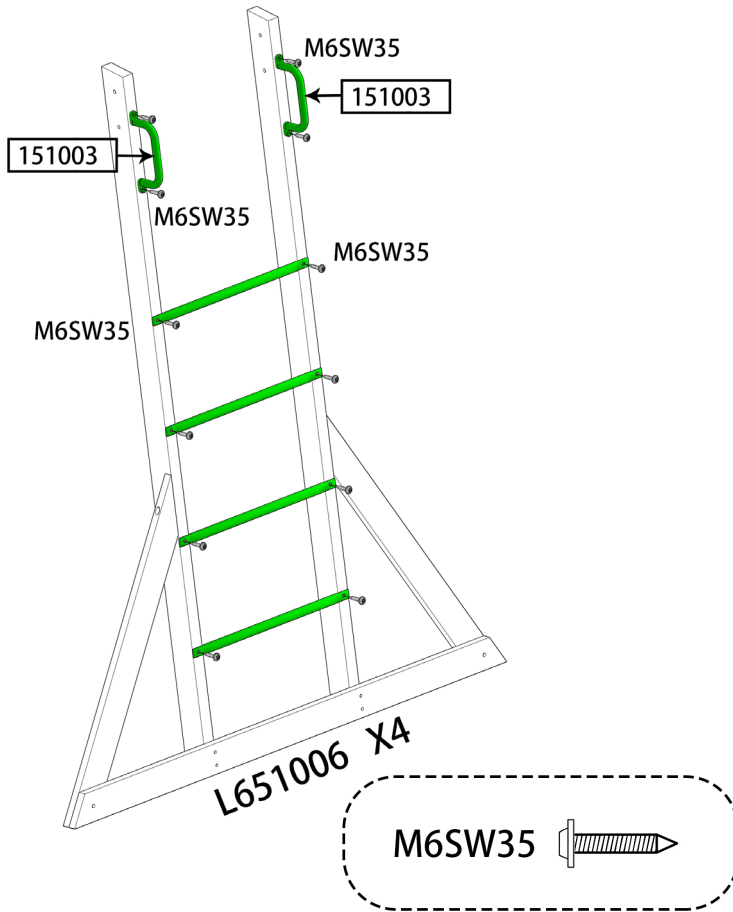
| List | |
|----------|-----|
| Part NO. | Qty |
| F26 | 1 |
| SW50 | 4 |

STEP 41



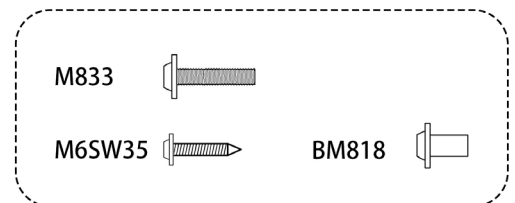
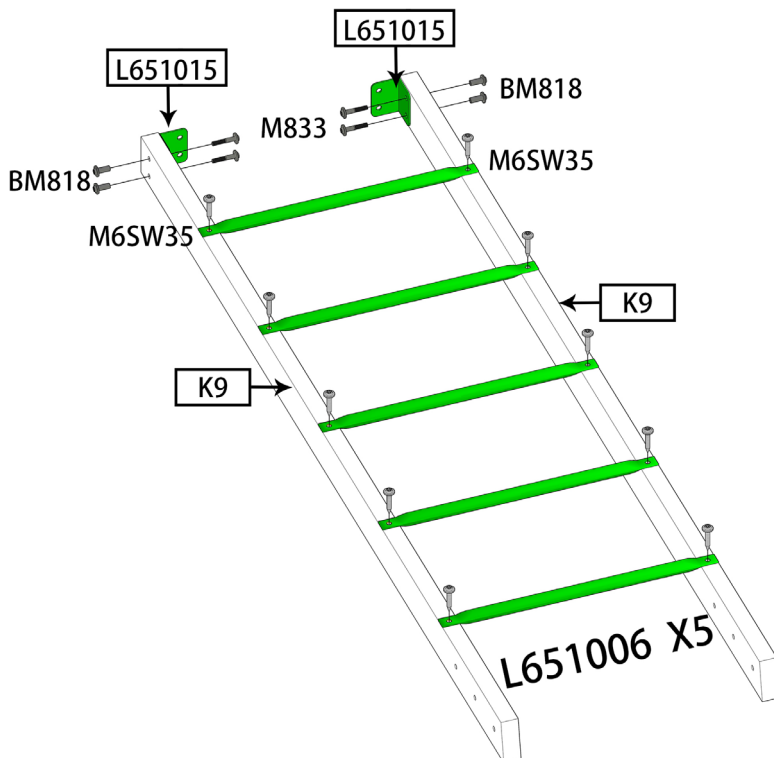
| List | |
|----------|-----|
| Part NO. | Qty |
| F28 | 2 |
| F29 | 1 |
| K8 | 2 |
| M845 | 2 |
| SW50 | 2 |
| M6SW55 | 4 |
| N815 | 2 |
| W10/18 | 2 |

STEP 42



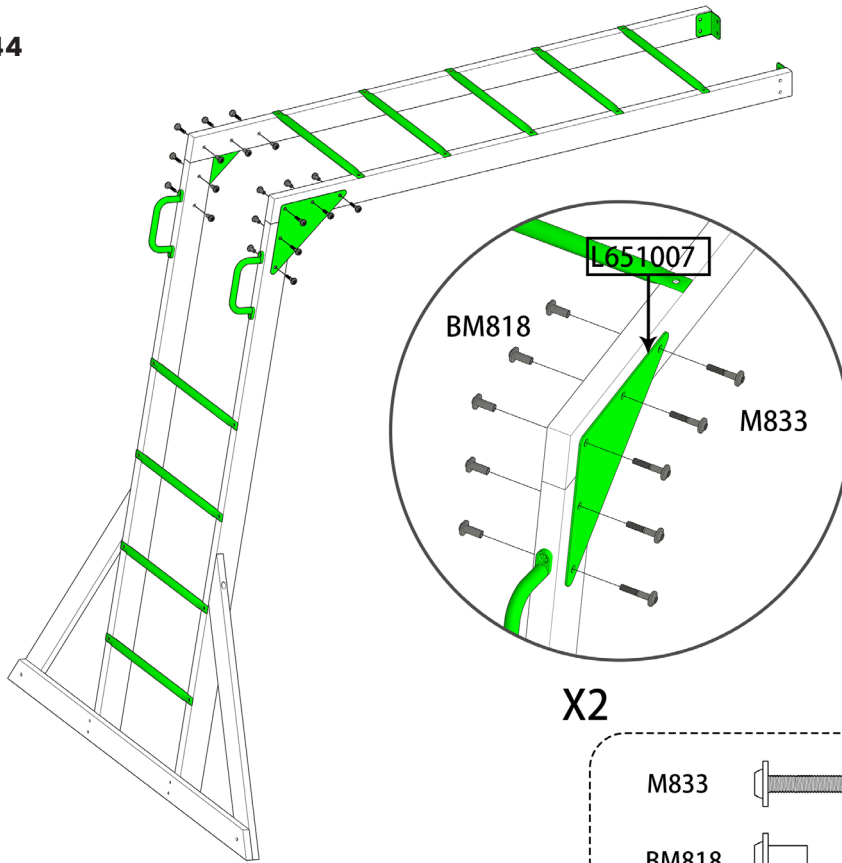
| List | |
|----------|-----|
| Part NO. | Qty |
| M6SW35 | 12 |
| L651006 | 4 |
| 151003 | 2 |

STEP 43

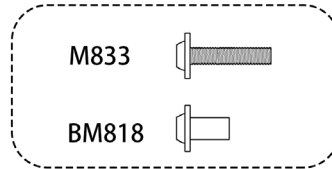


| List | |
|----------|-----|
| Part NO. | Qty |
| K9 | 2 |
| L651015 | 2 |
| L651006 | 5 |
| M833 | 4 |
| BM818 | 4 |
| M6SW35 | 10 |

STEP 44

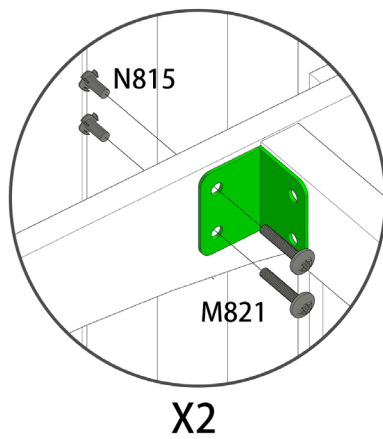


X2

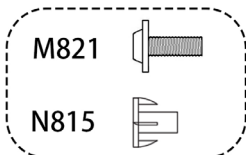


| List | |
|----------|-----|
| Part NO. | Qty |
| L651007 | 2 |
| M833 | 10 |
| BM818 | 10 |

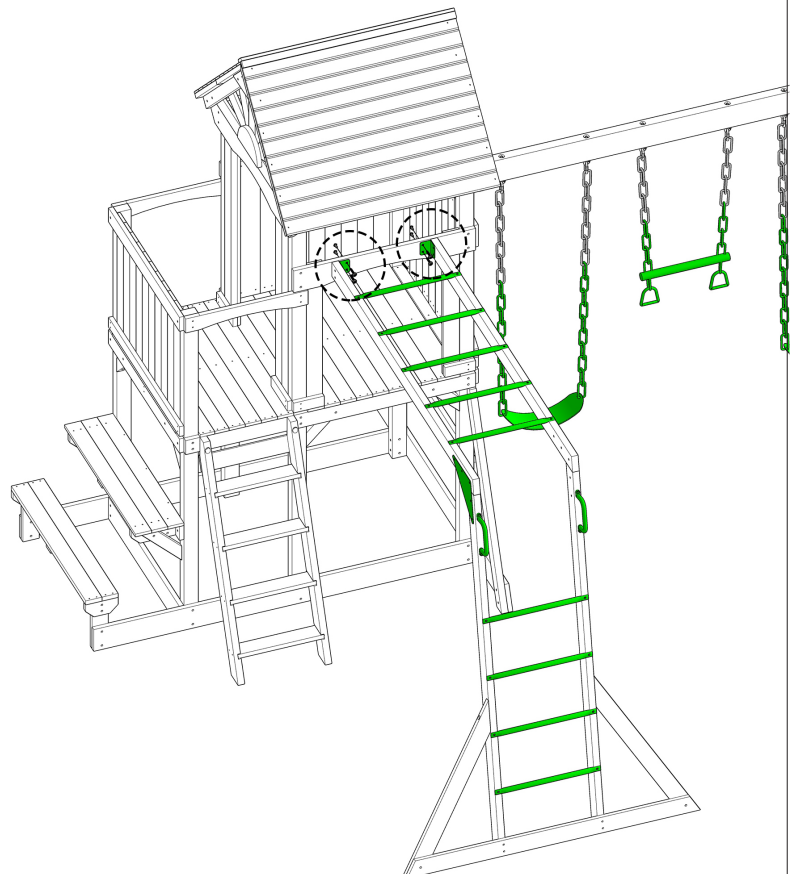
STEP 45



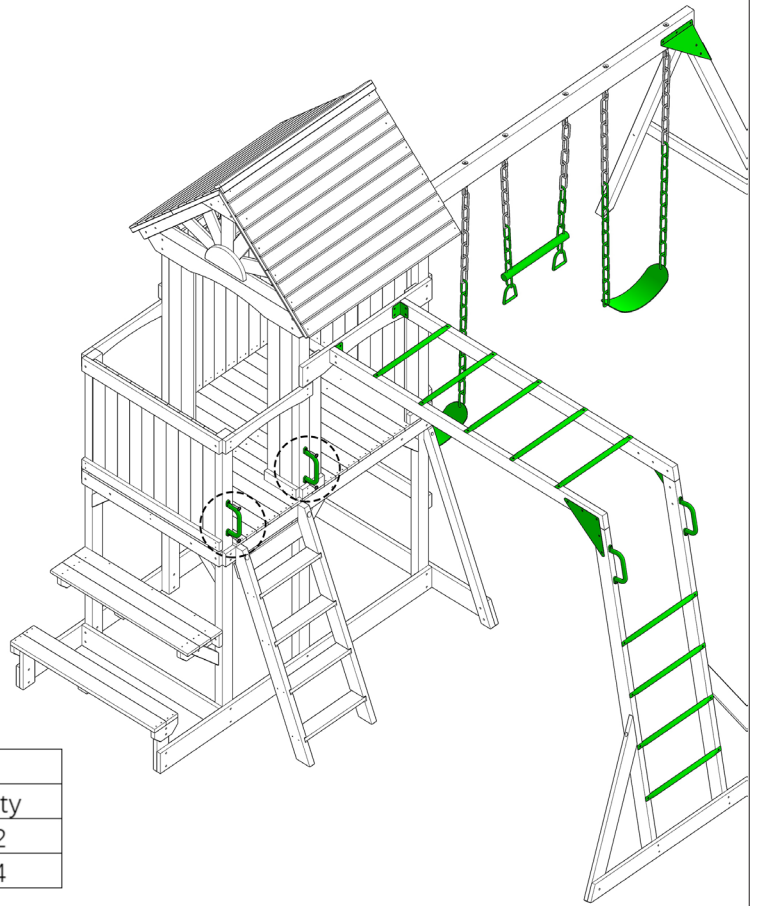
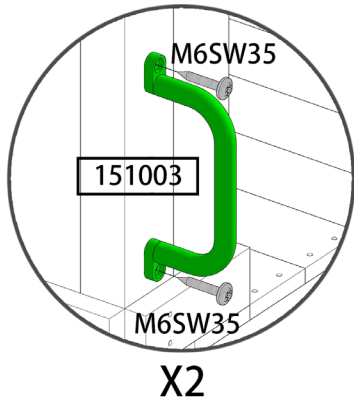
X2



| List | |
|----------|-----|
| Part NO. | Qty |
| M821 | 4 |
| N815 | 4 |

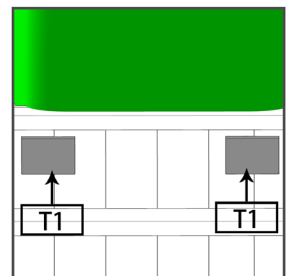
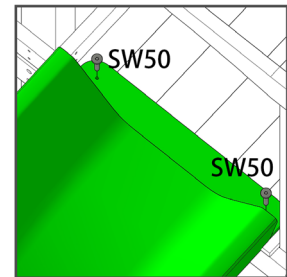
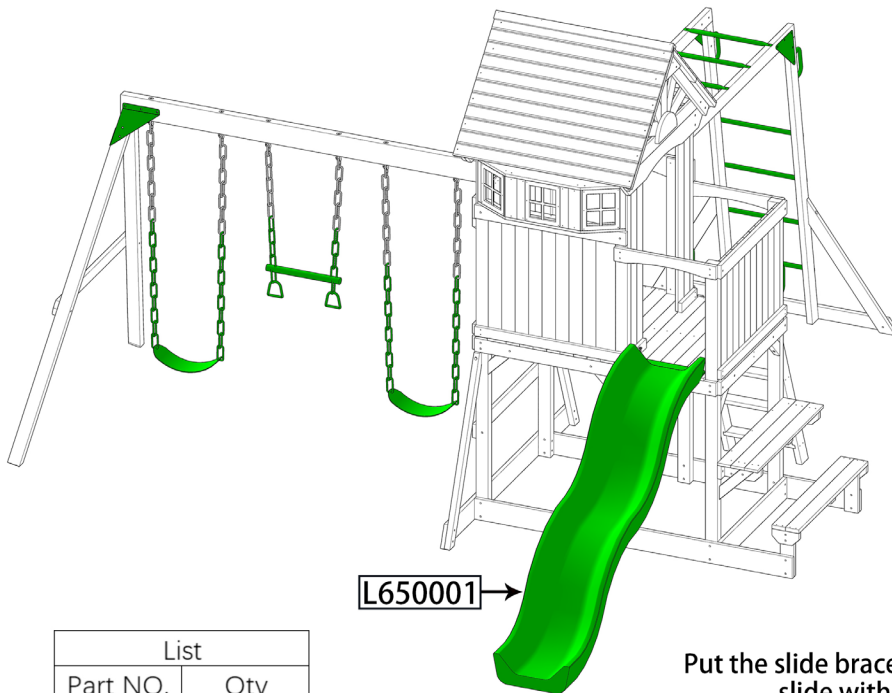


STEP 46

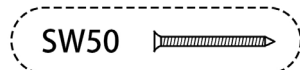


| List | |
|----------|-----|
| Part NO. | Qty |
| 151003 | 2 |
| M6SW35 | 4 |

STEP 47

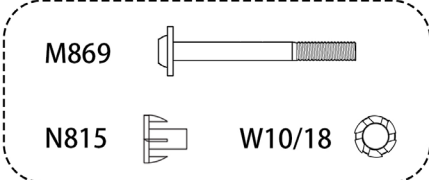
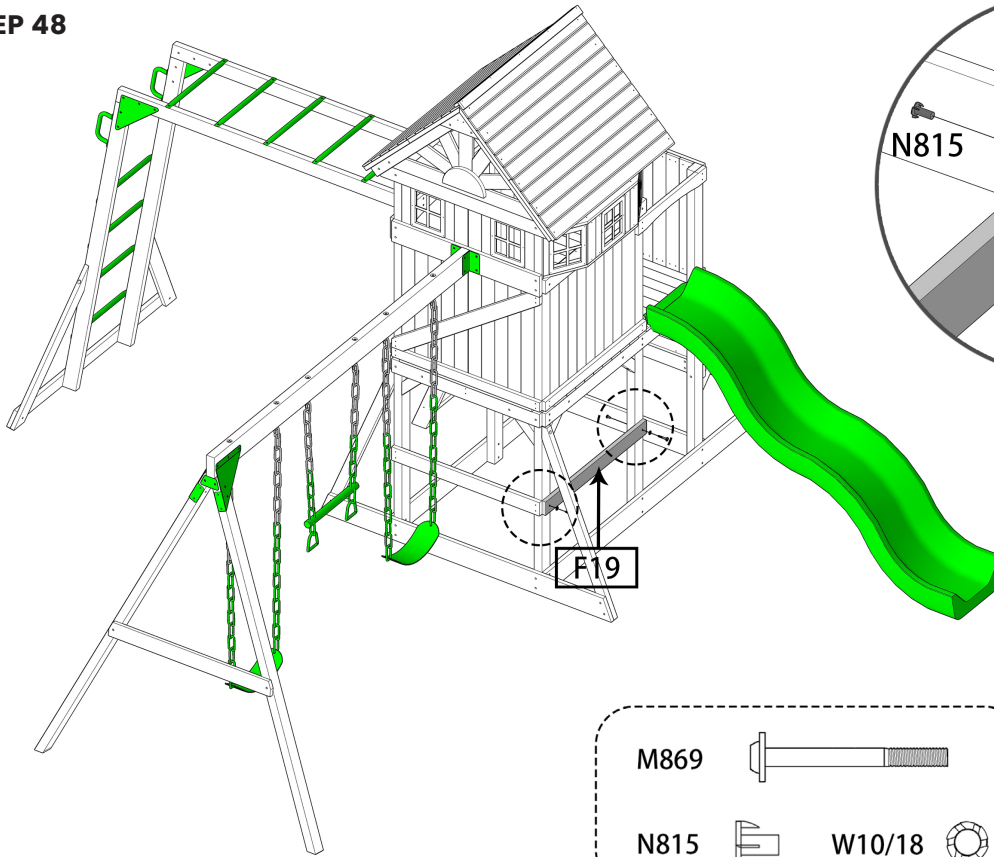


| List | |
|----------|-----|
| Part NO. | Qty |
| T1 | 2 |
| L650001 | 1 |
| SW50 | 2 |



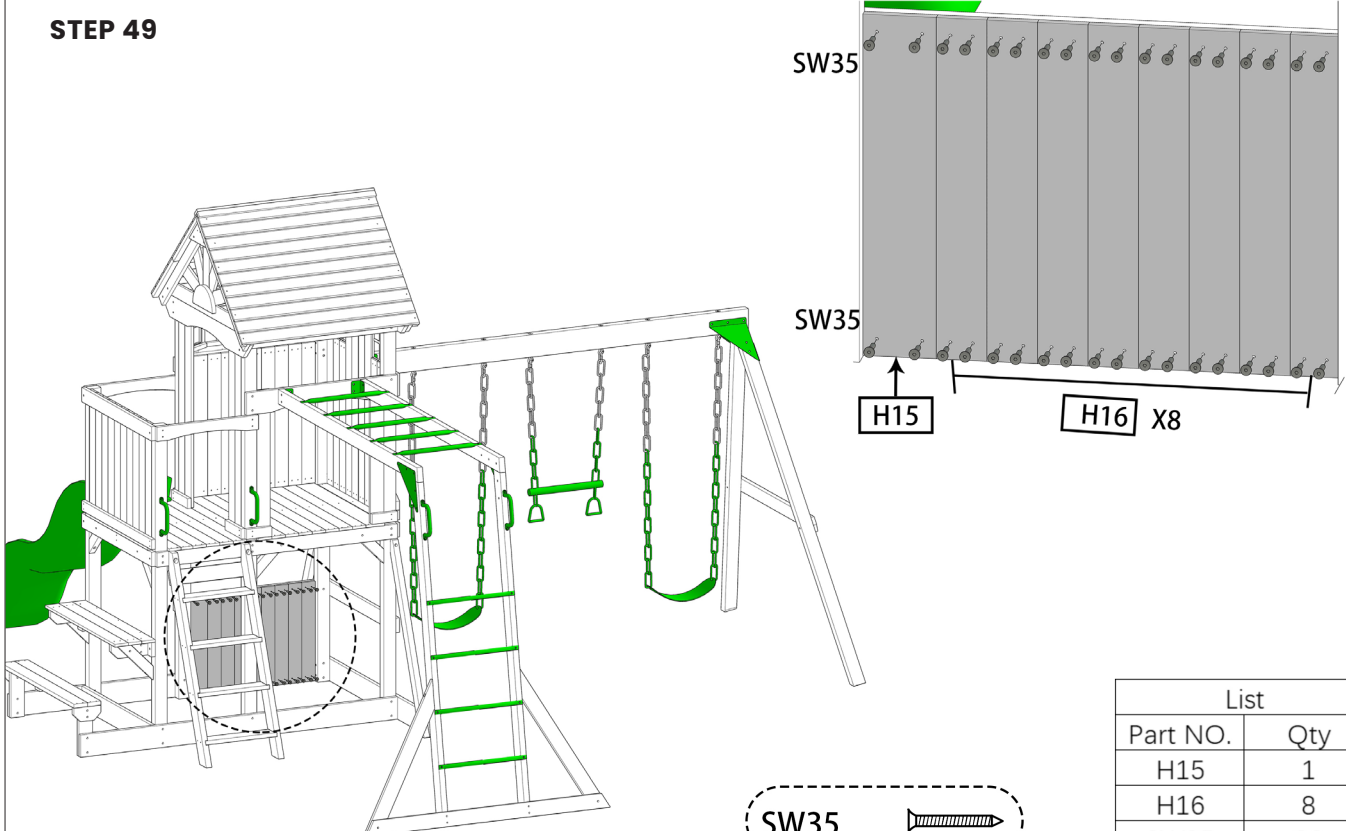
Put the slide braces T1 under the floor boards and fix the slide with floor and slide braces together

STEP 48



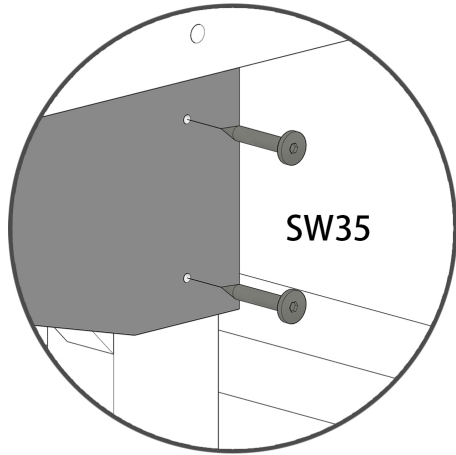
| List | |
|----------|-----|
| Part NO. | Qty |
| F19 | 1 |
| M869 | 2 |
| N815 | 2 |
| W10/18 | 2 |

STEP 49

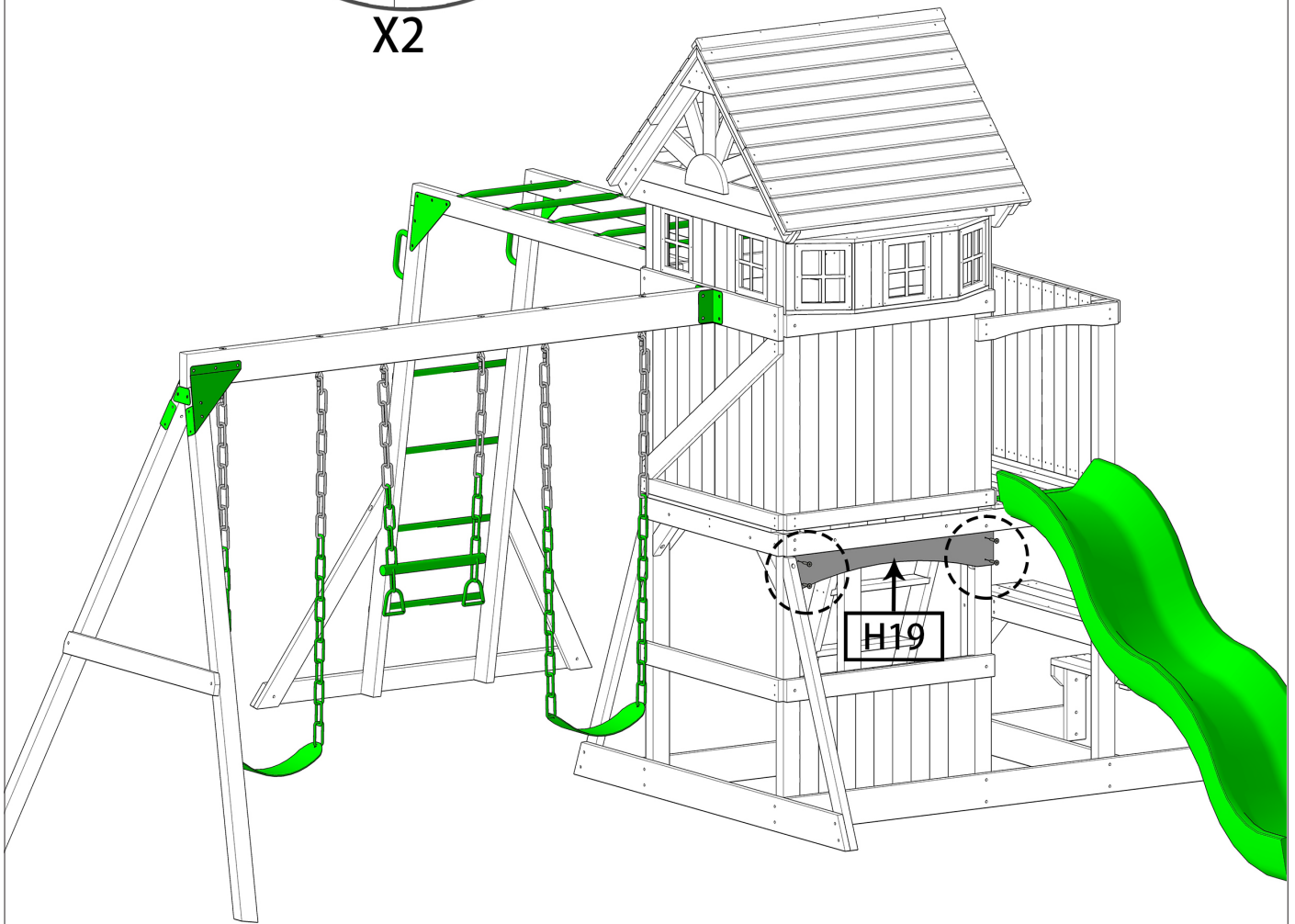


| List | |
|----------|-----|
| Part NO. | Qty |
| H15 | 1 |
| H16 | 8 |
| SW35 | 36 |

STEP 50

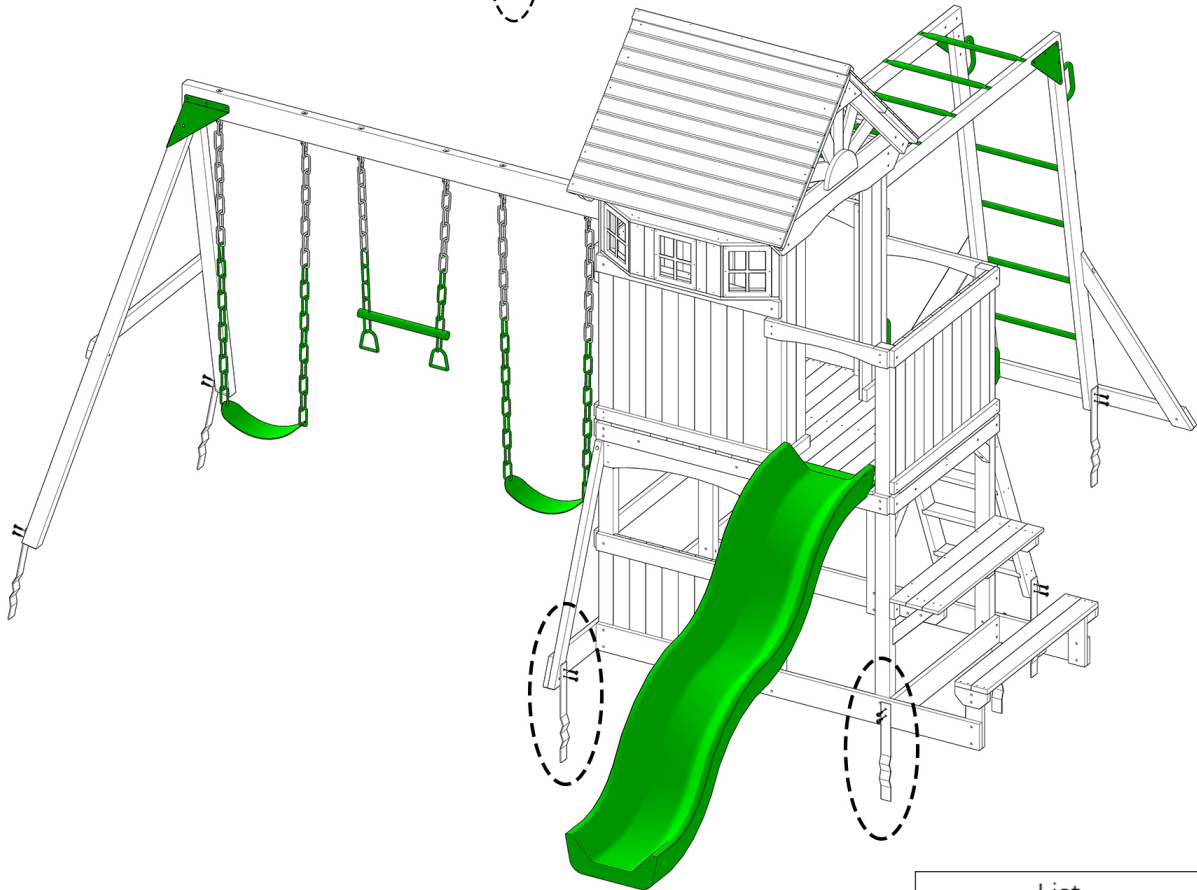
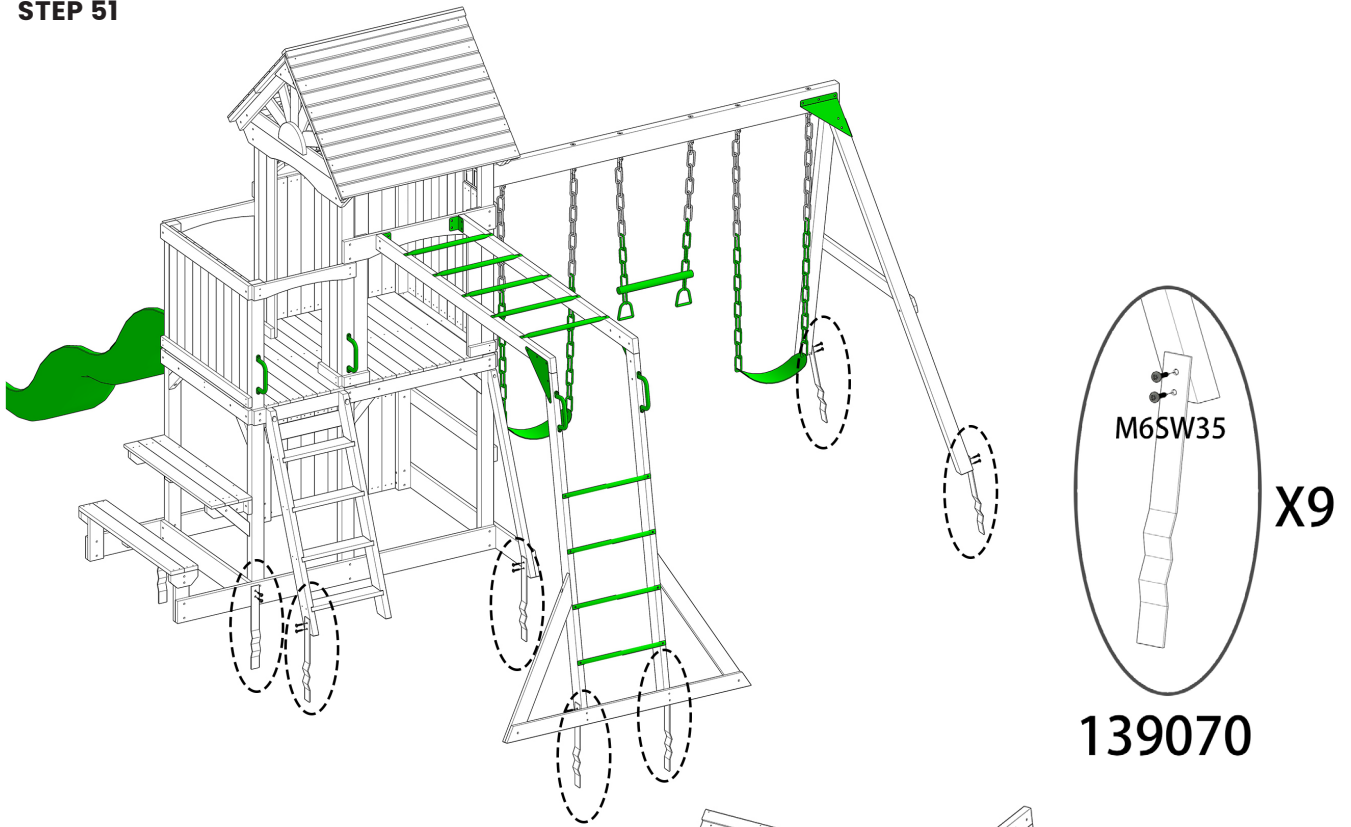


X2



| List | |
|----------|-----|
| Part NO. | Qty |
| H19 | 1 |
| SW35 | 4 |

STEP 51



| List | |
|----------|-----|
| Part NO. | Qty |
| 139070 | 9 |
| M6SW35 | 18 |

IV. MAINTENANCE



WARNING: Please keep for future reference.

We recommend regular maintenance to be conducted at the beginning of each season as well as at regular intervals during the usage session for your play equipment to ensure all main parts/fixings are tightly secured, well-oiled and intact to avoid failure, injury or hazards.

GENERAL ADVICE

It is of particular importance that this is followed at the beginning of each season as well as at regular intervals during the usage season.

- Check the accessories monthly as well as the play equipment's structure to prevent falling risks.
- Check and retighten screws, bolts, and all other hardware elements as necessary.
 - a. Do not over tighten to avoid damaging the thread or cracking the surrounding wood.
- Check all coverings and bolts for sharp edges and replace when required.
- Lubricate all moving metallic parts.
- When signs of oxidation and / or rust appear on various metallic parts of your equipment, sand rusted areas and tubular members and repaint using a non-lead-based paint when required.
- Where applicable: check swing seats, chains, ropes, and other means of attachment for evidence of deterioration.
- Replace when required in accordance with the owner's manual.

If your play structure is disassembled, be sure to clearly mark any attached metal plates to prevent accidents. Check all bolt covers and sharp edges and replace them if necessary.

For longer accessory life, we suggest storing them during the winter.

V. WOOD ADVICE

Our products are manufactured from premium timber. Great care is taken in selecting, machining, and treating the timber before it is sold to you.

1. Inspect wood parts monthly. The grain of the wood sometimes will lift in dry periods causing splinters to appear. Light sanding may be necessary to maintain a safe environment. Treating your Product with protection (sealant) after sanding will help prevent severe checking/splitting and other weather damage.
2. The wood is treated via high temperature drying, degreasing and is stained against wood rot and insect damage (Termites not included). This is not a permanent treatment as weather conditions can wear it down. We recommend once or twice a year, depending on your climate conditions, you must apply some type of protection (sealant) to the wood of your unit. Prior to the application of sealant, lightly sand any "rough" spots on your set. **Please note this is a requirement of your warranty.**

Bear in mind that timber is a natural product and may experience changes throughout the course of its life. It may:

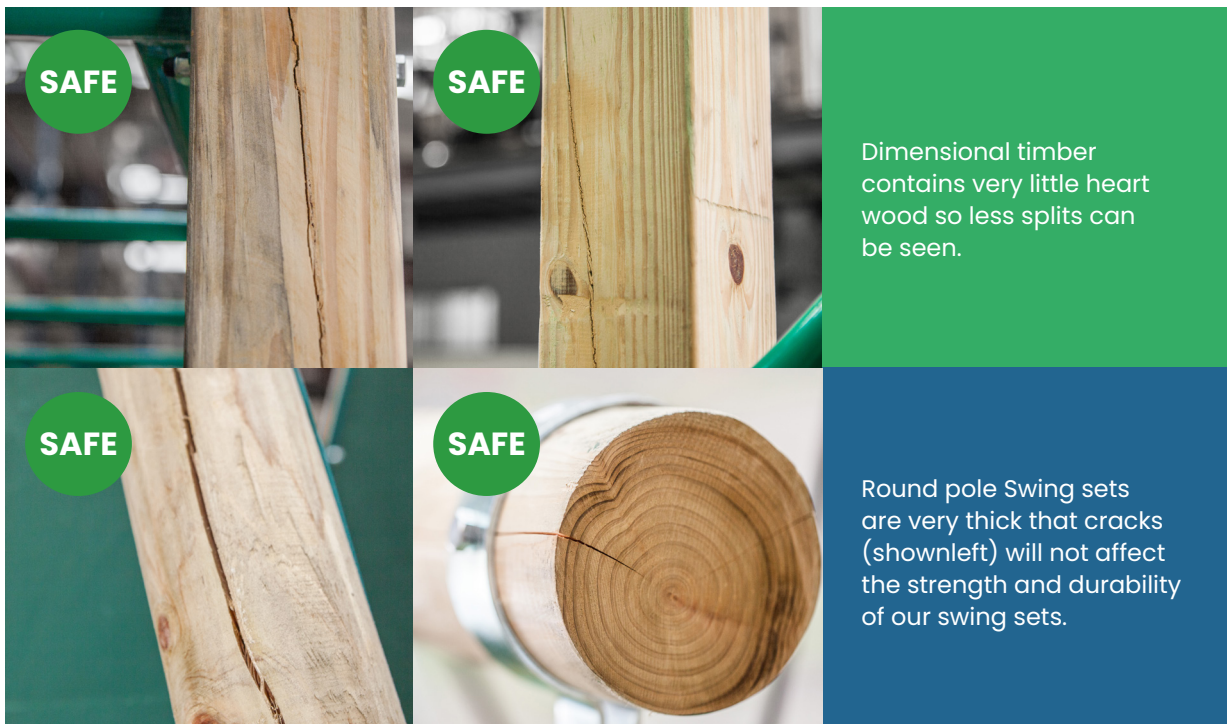
- Develop openings/checks (gaps, slits, apertures, cracks) along the line of the grain.
- Fade as the timber reacts with sunlight.

All woods are hygroscopic, that is, it will absorb or discharge moisture to attain equilibrium with the surrounding atmosphere. Timber openings/checks occur due to the moisture content between internal and outer surfaces of the timber. No two pieces of wood are exactly alike. Each piece has its own characteristics and personality and reacts differently to climate changes. When any wood products are exposed to the elements, it develops 'wood checks'. A check is the radial separation of the wood fibres running with the grain of the wood. These are caused by the varying temperature and moisture conditions. A check does not affect the strength or durability of the wood or structural integrity of the play set.

WHEN SHOULD WOOD CRACKS BE A CONCERN?

Most of the wood splits will never become large enough to affect the reliability and strength of our products, however, there can be rare cases where splits can occur. This happens when a crack develops past the halfway point from the timber, splitting it into two separate pieces.

Feel free to contact us with detailed pictures of your product so we can assess and ensure that your playground remains safe.



3. Mould and Mildew

Protecting against mould and mildew on your outdoor equipment is an important step in maintaining your backyard. Mould may develop for several reasons, such as certain weather conditions, improper drainage or infrequent usage. Here we'll share our tips for keeping your outdoor areas free of mould and mildew so that you can enjoy your backyard with peace of mind.

Once you spot mould on your equipment, it's important to start clearing it up straight away. The first step is to scrub it off with soap and water, until all the visible signs of mould are removed. It's important to remember however, that just because you can't see it anymore doesn't mean it's gone.

The next step is to kill off the remaining mould so that it doesn't grow back. Here are a few options, but keep in mind these should be used independently. Don't mix or combine these methods at the same time.

Mould Killer or Removal Spray

You can purchase off-the-shelf removal sprays that destroy mould either indoors or outdoors. For these products, make sure to follow the product instructions as well as wearing protective gloves to avoid contact with skin.

Bleach

A solution of bleach and water can also be highly effective in killing mould. For this method, mix the water and bleach on a 1 to 1 ratio, then use a sponge or brush to scrub the affected area. You can also use a higher concentration of bleach for spot treating. After bleach treatment, make sure to rinse off your equipment and allow to dry.

Vinegar

If mould is still lingers after applying bleach or a mould spray, vinegar will be an effective option for removing stubborn remnants. Vinegar will kill most types of mould and is best for nonporous materials like hard plastics or metal. The best method is to fill a spray-bottle with undiluted white vinegar of at least 5% acetic acid. Spray the affected area, then let sit for around an hour. Make sure to thoroughly rinse off afterwards.

For wooden equipment, you can add a coat of paint or stain after it has thoroughly dried.

Some people may find that mould keeps resurfacing after cleaning on certain areas. This can be due to a few reasons, such as poor sunlight. Areas without direct sun are more likely to become damp and take longer to dry off after rain. Consider removing obstacles or rearranging your equipment so that it receives more sunlight, which will also help to kill the mould once it develops.

For more information: www.lifespankids.com.au/natural-timber

VI. CLEANING

Do not use any abrasive cleansers for the cleaning. Use a soft, damp cloth to eliminate dirt and dust.

VII. WARRANTY

AUSTRALIAN CONSUMER LAW

Many of our products come with a guarantee or warranty from the manufacturer. In addition, they come with guarantees that cannot be excluded under the Australian Consumer Law. You are entitled to a replacement or refund for a major failure and compensation for any other reasonably foreseeable loss or damage.

You are entitled to have the goods repaired or replaced if the goods fail to be of acceptable quality and the failure does not amount to a major failure. Full details of your consumer rights may be found at www.consumerlaw.gov.au.

Please visit our website to view our full warranty terms and conditions:
www.lifespankids.com.au/Warranty-Policy-Kids

WARRANTY AND SUPPORT

Any claim against this warranty must be made through your original place of purchase. Proof of purchase is required before a warranty claim may be processed. If you have purchased this product from the Official Lifespan Kids website, please visit www.lifespankids.com.au/warranty-form

For support outside of warranty, if you wish to purchase replacement parts or request a repair or service, please visit www.lifespankids.com.au/warranty-form and fill in our Repair/Service Request Form or Parts Purchase Form.

