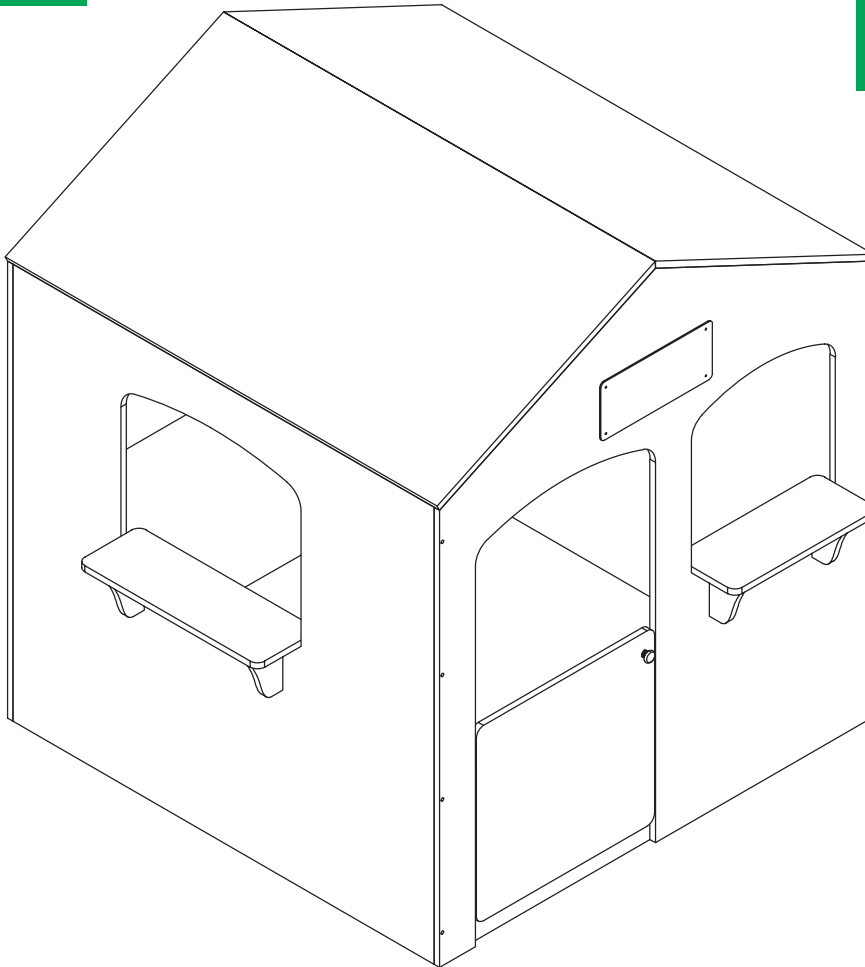


# USER MANUAL

## Mason Indoor Cubby House



Find the Digital  
Manual Online



**WARNING:** The disassembled product may contain small parts which pose a choking hazard to children under 3.

### IMPORTANT:

The owner's manual contains safety, assembly, use and maintenance instructions. This product must be assembled by an adult who has read and understood these instructions. Keep the packaging away from children and dispose of all packaging before use.

*For the installer and your children's safety, it is important to fully read and understand the instructions and safety hazards before commencing the assembly of the product.*

### NOTE:

This manual should not be used to guide your purchasing decision. Your product, and the contents inside its carton, may vary from what is listed in this manual. This manual may also be subject to updates or changes. Updated manuals are available through our website at [www.lifespankids.com.au](http://www.lifespankids.com.au).

---

# TABLE OF CONTENTS

<b>I. SAFETY GUIDELINES</b>	3
<b>II. MAINTENANCE INSTRUCTIONS</b>	4
<b>III. ASSEMBLY INSTRUCTIONS</b>	5
<b>IV. WARRANTY</b>	14

---

# I. SAFETY GUIDELINES

- Adult supervision is required at all times when children are playing in or around the cubby house.
- Suitable for children aged 3 years and above.
- **Indoor use only:** Do not use outdoors or in areas exposed to moisture, rain, or extreme temperature changes.
- Place the cubby house on a flat, even surface away from furniture, heaters, windows, and sharp objects.
- Door & Hinge Safety:
  - Ensure children keep their fingers clear of door hinges and frame edges.
  - Teach children to open and close doors gently. Avoid slamming doors as this may cause injury or damage the hinge hardware.
- Do not allow children to climb or sit on the roof, shelves, or external panels.
- Allow only the recommended number of children at a time to prevent tipping or structural stress.
- Discourage jumping, climbing on the sides, hanging off door frames, or swinging from windows.
- Inspect regularly for loose screws, damaged panels, wobbling parts, or unstable components. Tighten or repair before allowing use.
- Keep hardware, tools, and packaging materials out of reach of children.
- Ensure the cubby has adequate airflow to avoid overheating during play.
- Make sure cords, blinds, curtains, and electrical outlets are not accessible from inside or near the cubby area.

---

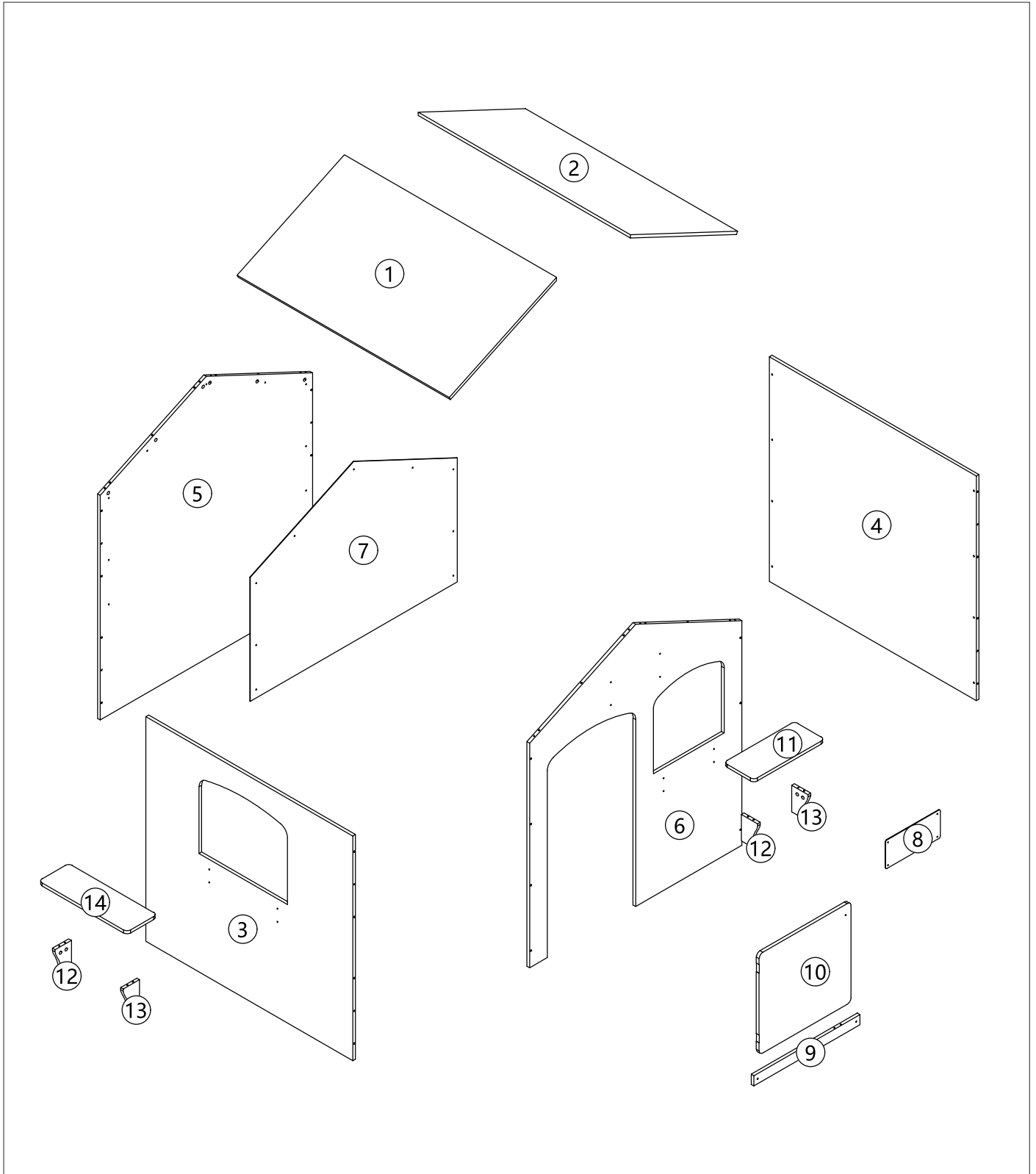
## II. MAINTENANCE INSTRUCTIONS

- Check the cubby house every 2–4 weeks for any signs of wear, loosened hardware, cracked panels, or instability.
- Hinge & Door Maintenance:
  - Ensure door hinges are secure and tightened at all times.
  - If hinges become stiff, apply a small amount of child-safe lubricant.
  - Replace hinges immediately if bent, cracked, or damaged.
  - Check that doors open and close smoothly without catching on edges.
- Re-tighten screws and bolts periodically to maintain structural safety.
- Cleaning:
  - Wipe surfaces with a damp cloth and mild soapy water.
  - Avoid abrasive or chemical cleaners that may damage the finish.
  - Keep all wooden areas dry to prevent swelling or warping.
- Do not place heavy objects on the roof, shelves, or external walls.
- Keep the cubby away from direct sunlight, air conditioners, and heaters to prevent heat damage or discolouration.
- Disassemble following the manual and store components in a cool, dry place.
- Use only manufacturer-approved replacement components for safety and fit.

# III. ASSEMBLY INSTRUCTIONS

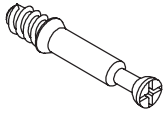
## ASSEMBLY TIPS

- **Do not overtighten:** Hand tools are recommended, if using power tools do not over torque.
- **Adult assembly only:** Keep children at a safe distance during assembly to avoid injury from small parts or tools.
- Before starting, ensure all panels, hardware, and accessories are included and undamaged.



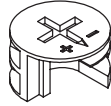
# PARTS LIST

**A** x 20



28x35

**B** x 20



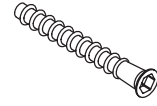
15x9.5

**C** x 16



6x30

**D** x 8



4x40

**E** x 1



Bolt 4x18

**F** x 21



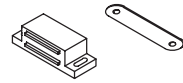
4x12

**G** x 12



3.5x14

**H** x 1



**I** x 2

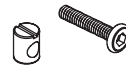


**J** x 2



6x25

**K** x 16



M6x11 &  
Bolt 6x40

**L** x 1



M3

**M** x 2



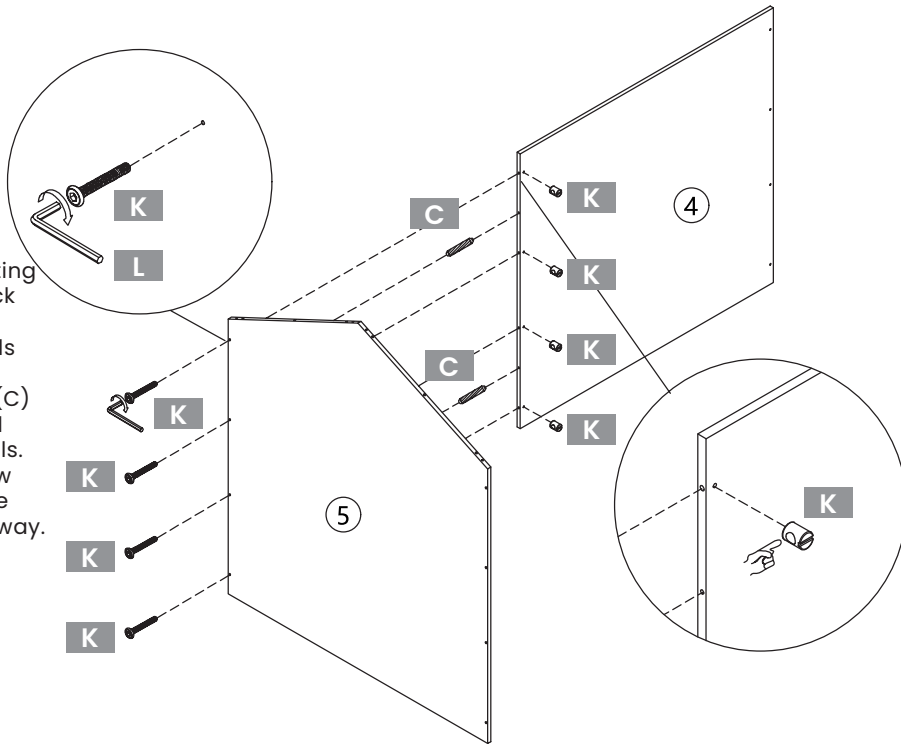
**N** x 1



# CUBBY HOUSE SET-UP

## STEP 1

2.  
 a. After the inserting (C) and (K) lock into panel (4), push the panels (4) and (5) together until (C) is fully inserted into both panels.  
 b. Insert (K) screw and tighten the screws all the way.

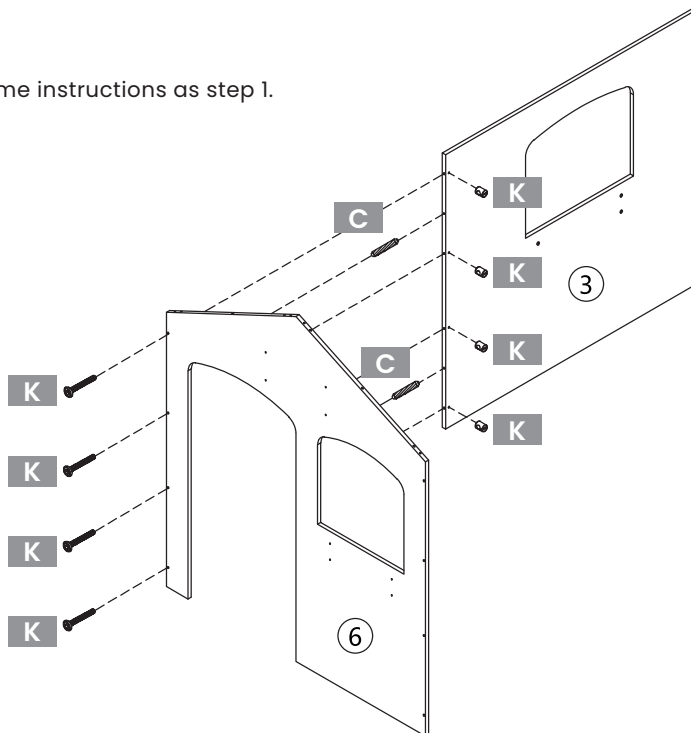


1. Place the (K) lock with the hole facing the screw holes on the side of panel, as indicated.



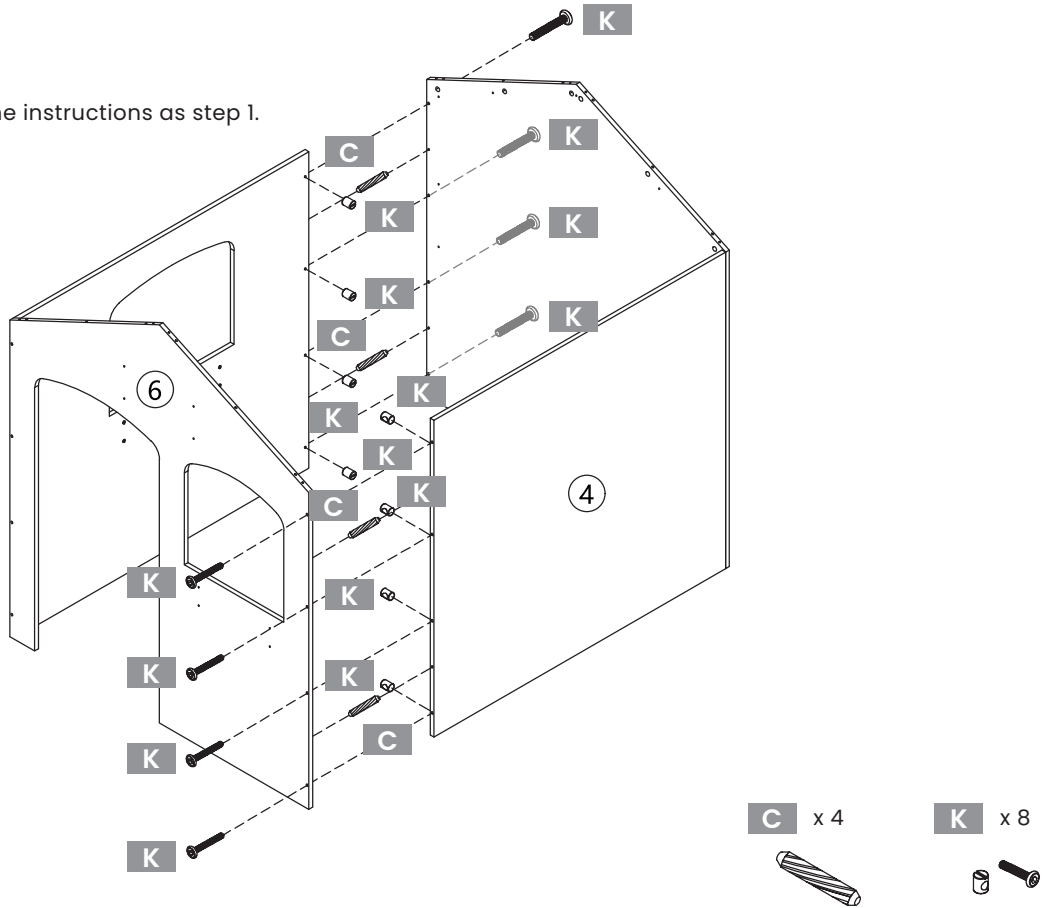
## STEP 2

Repeat the same instructions as step 1.

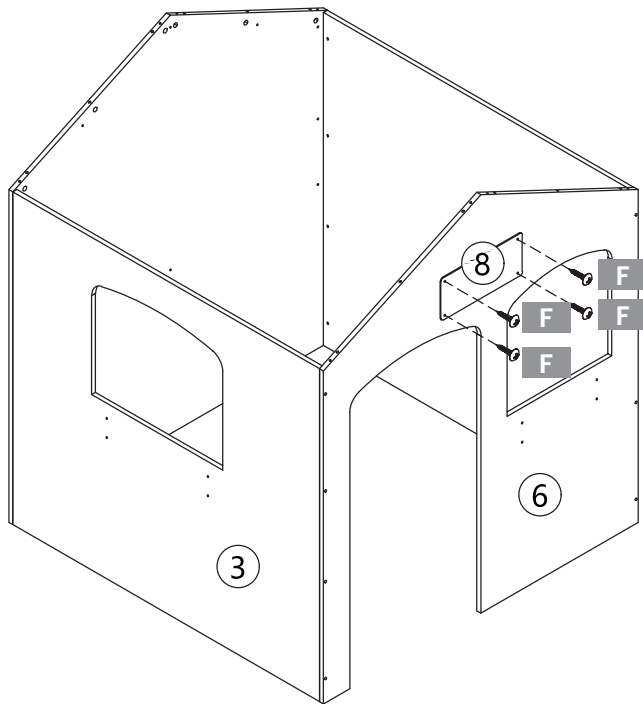


### STEP 3

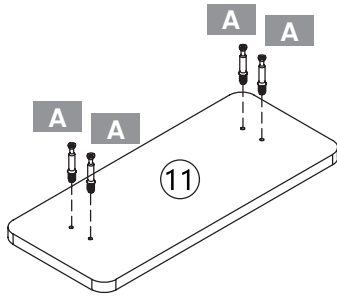
Repeat the same instructions as step 1.



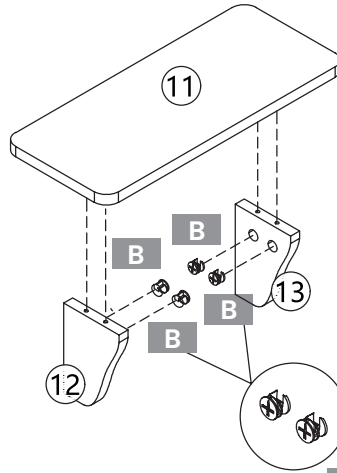
### STEP 4



### STEP 5



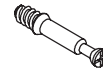
1. Install the screws (A) to part (11).



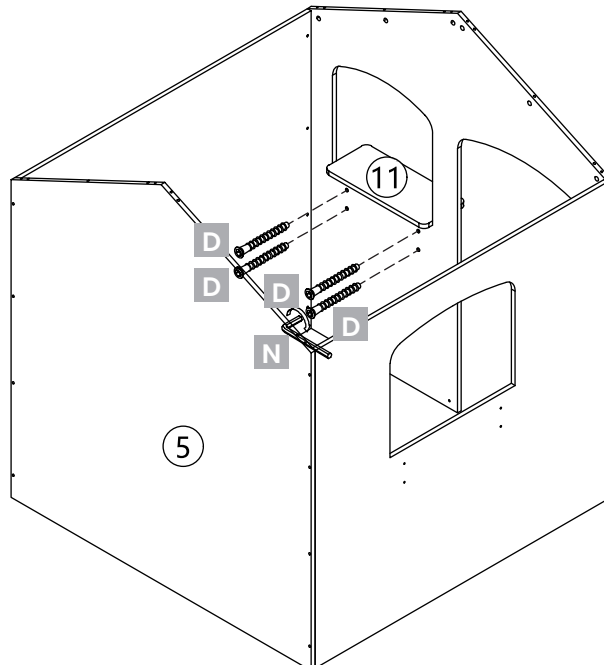
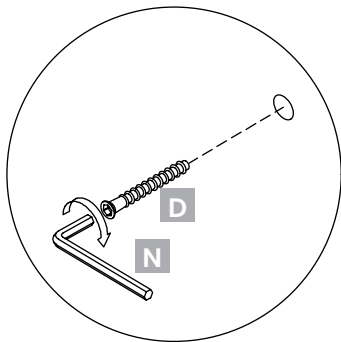
- 2.
- a. Insert part (B) into both part (13) and (12) with the gap facing upwards to the screw holes.
  - b. Turn (11) over and align the screws into the screw holes on part (12) and (13).
  - c. Use a philips screwdriver to lock part (B) securely by turning clockwise towards the (+).

A x 4

B x 4



### STEP 6

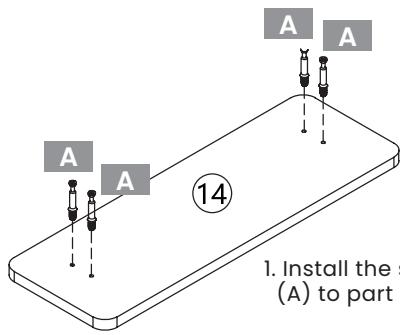


N x 1

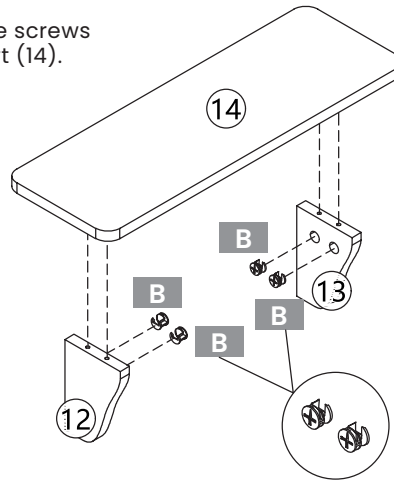
D x 4



### STEP 7



1. Install the screws (A) to part (14).



2.
  - a. Insert part (B) into both part (13) and (12) with the gap facing upwards to the screw holes.
  - b. Turn (14) over and align the screws into the screw holes on part (12) and (13).
  - c. Use a philips screwdriver to lock part (B) securely by turning clockwise towards the (+).

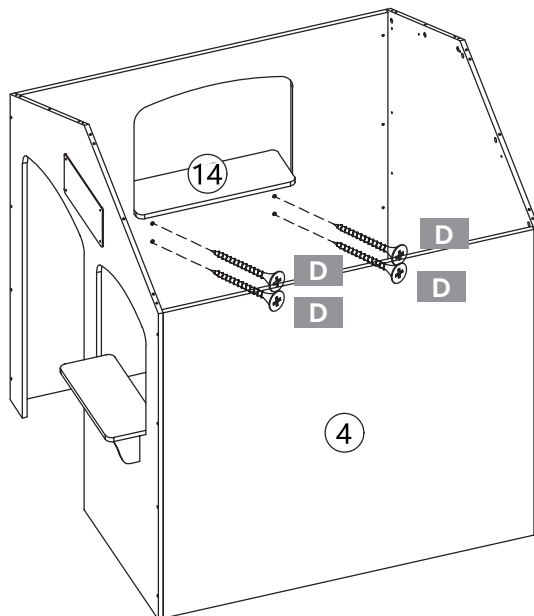
A x 4



B x 4



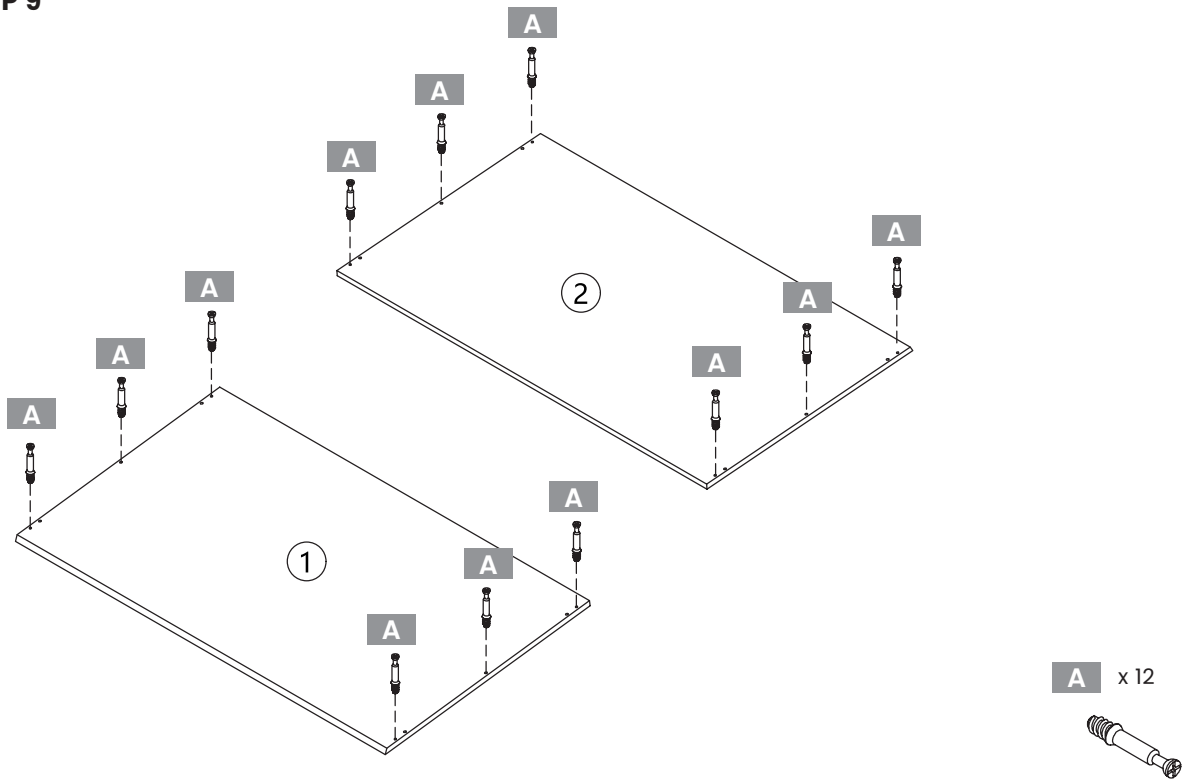
### STEP 8



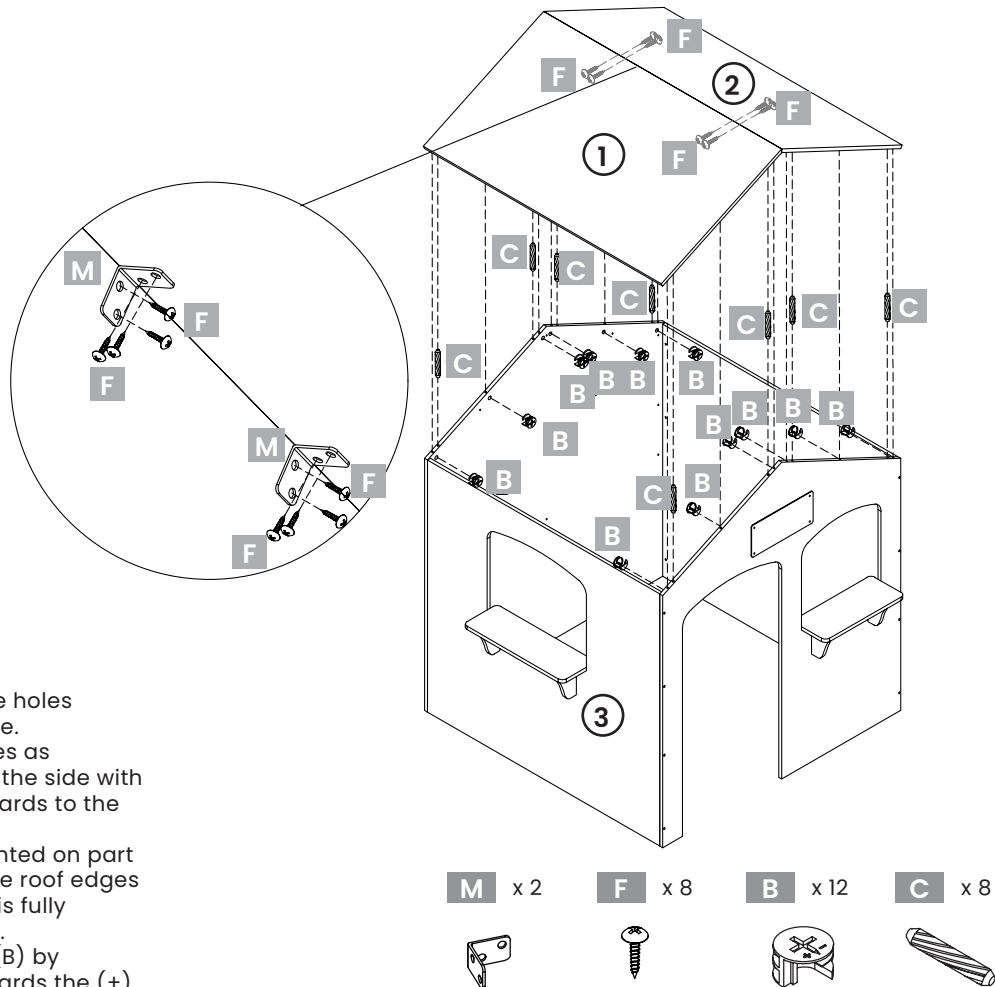
D x 4



## STEP 9

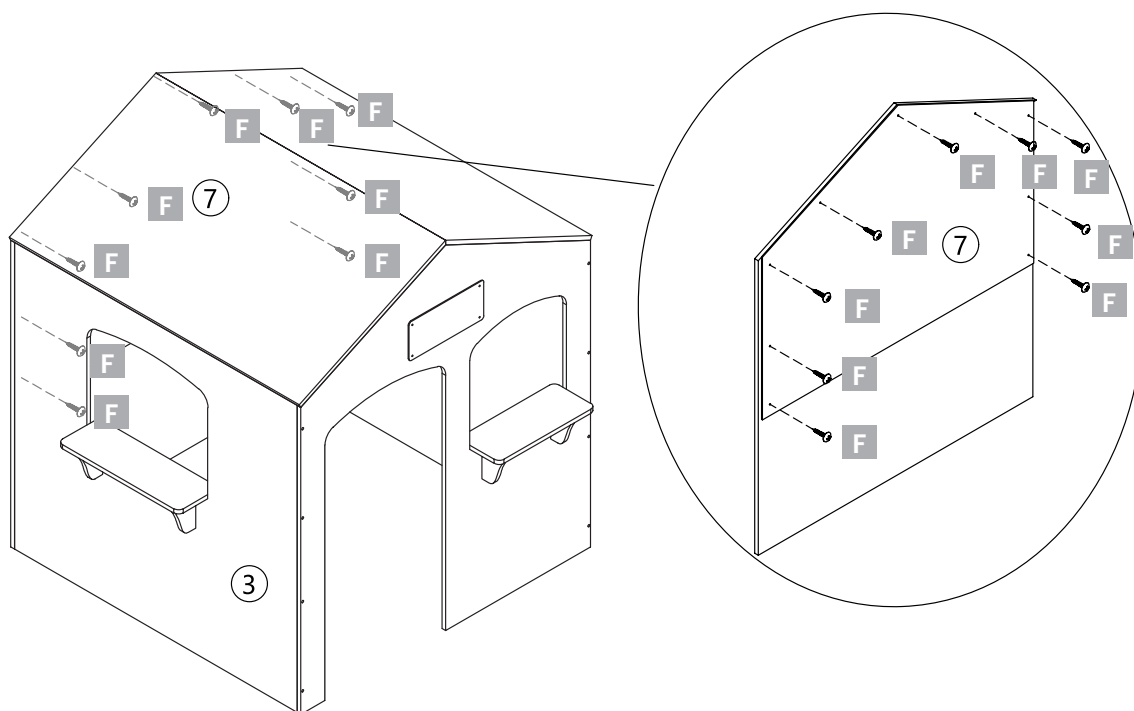


## STEP 10



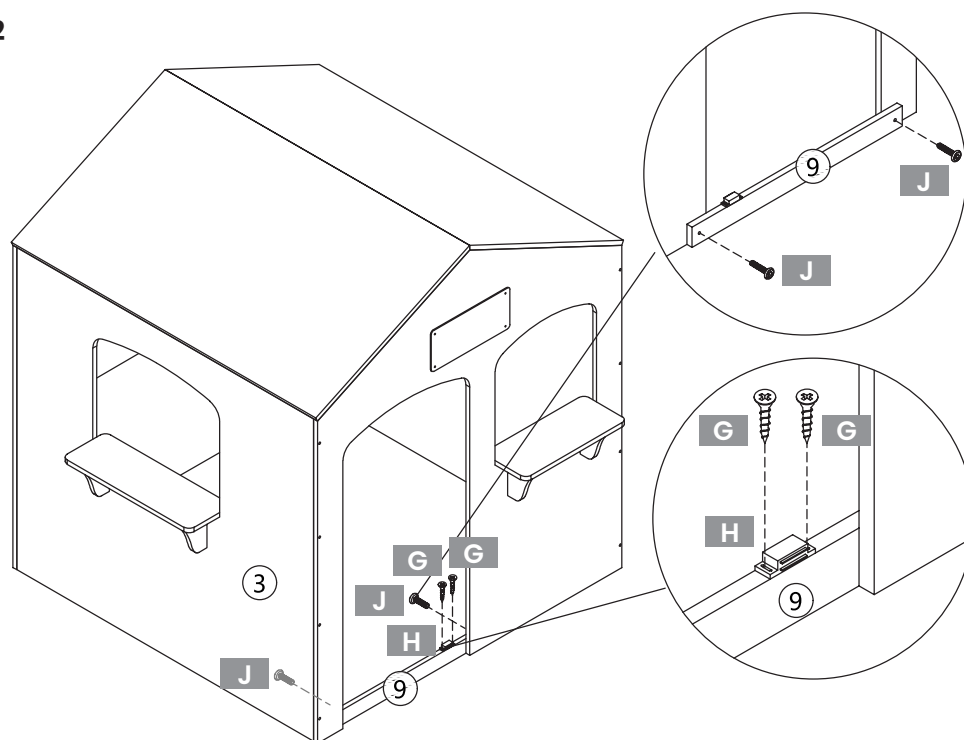
1.
  - a. Place part (C) into the holes indicated on the house.
  - b. Insert (B) into the holes as indicated and ensure the side with the gap is facing upwards to the screw holes.
  - c. Align the screws mounted on part (1) and (2) to the house roof edges as shown. Ensure (C) is fully inserted to (1) and (2).
  - d. Secure the cam lock (B) by turning clockwise towards the (+).

### STEP 11



**F** x 9

### STEP 12



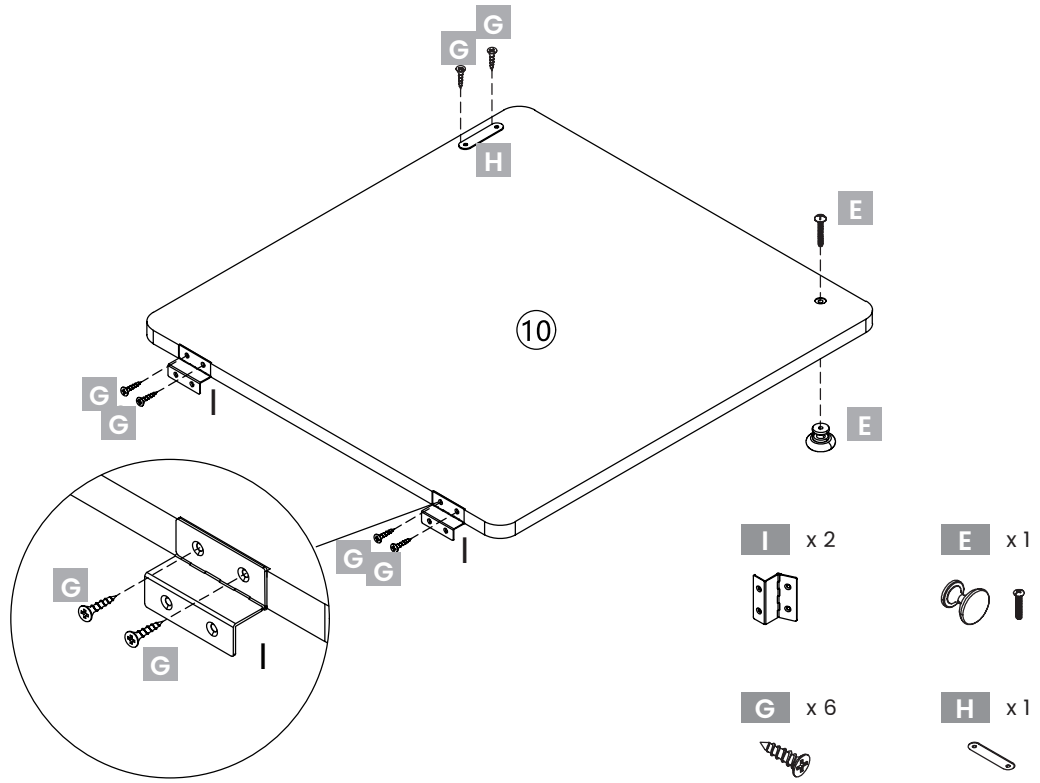
**J** x 2

**G** x 2

**H** x 1

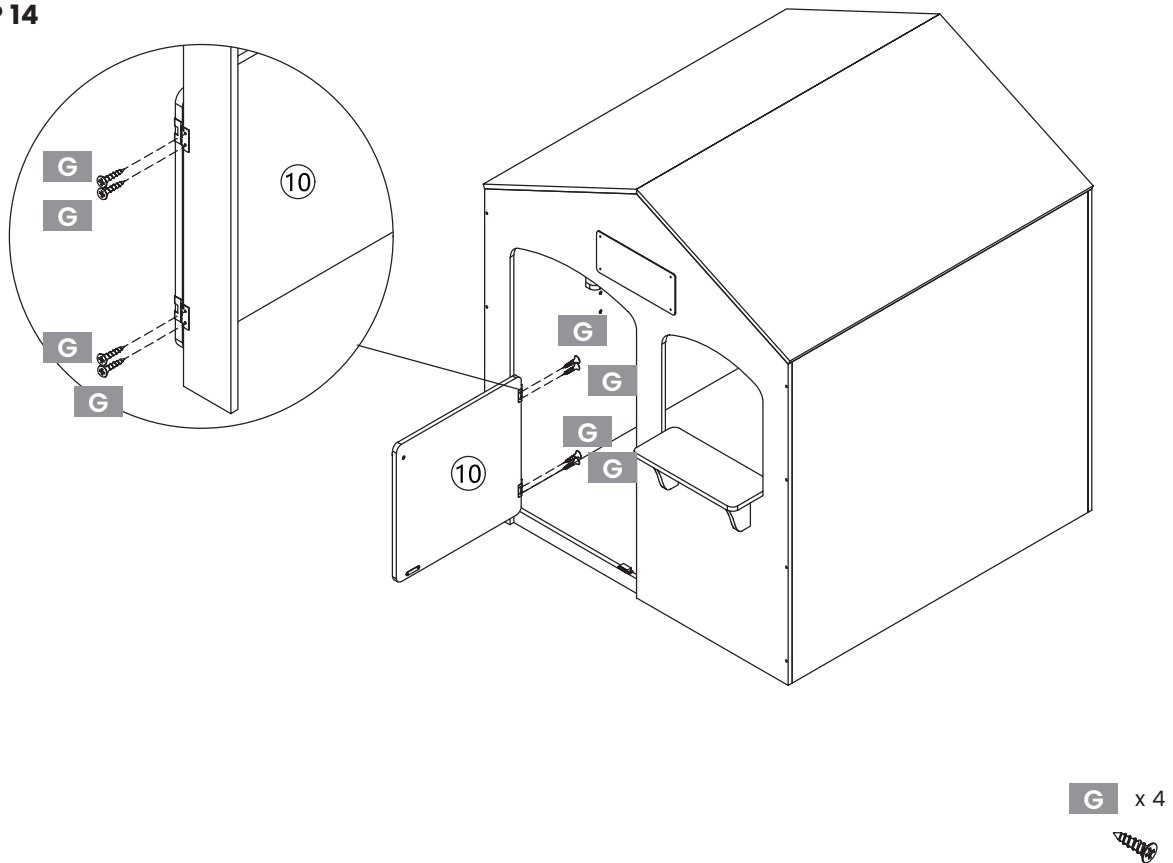


### STEP 13



Ensure the magnetic plate (H) lines up and touch the magnet (E) when the door closes.

### STEP 14



---

## IV. WARRANTY

### AUSTRALIAN CONSUMER LAW

Many of our products come with a guarantee or warranty from the manufacturer. In addition, they come with guarantees that cannot be excluded under the Australian Consumer Law. You are entitled to a replacement or refund for a major failure and compensation for any other reasonably foreseeable loss or damage.

You are entitled to have the goods repaired or replaced if the goods fail to be of acceptable quality and the failure does not amount to a major failure. Full details of your consumer rights may be found at [www.consumerlaw.gov.au](http://www.consumerlaw.gov.au).

Please visit our website to view our full warranty terms and conditions:

[www.lifespankids.com.au/Warranty-Policy-Kids](http://www.lifespankids.com.au/Warranty-Policy-Kids)

### WARRANTY AND SUPPORT

Any claim against this warranty must be made through your original place of purchase. Proof of purchase is required before a warranty claim may be processed. If you have purchased this product from the Official Lifespan Kids website, please visit [www.lifespankids.com.au/warranty-form](http://www.lifespankids.com.au/warranty-form)

For support outside of warranty, if you wish to purchase replacement parts or request a repair or service, please visit [www.lifespankids.com.au/warranty-form](http://www.lifespankids.com.au/warranty-form) and fill in our Repair/Service Request Form or Parts Purchase Form.



