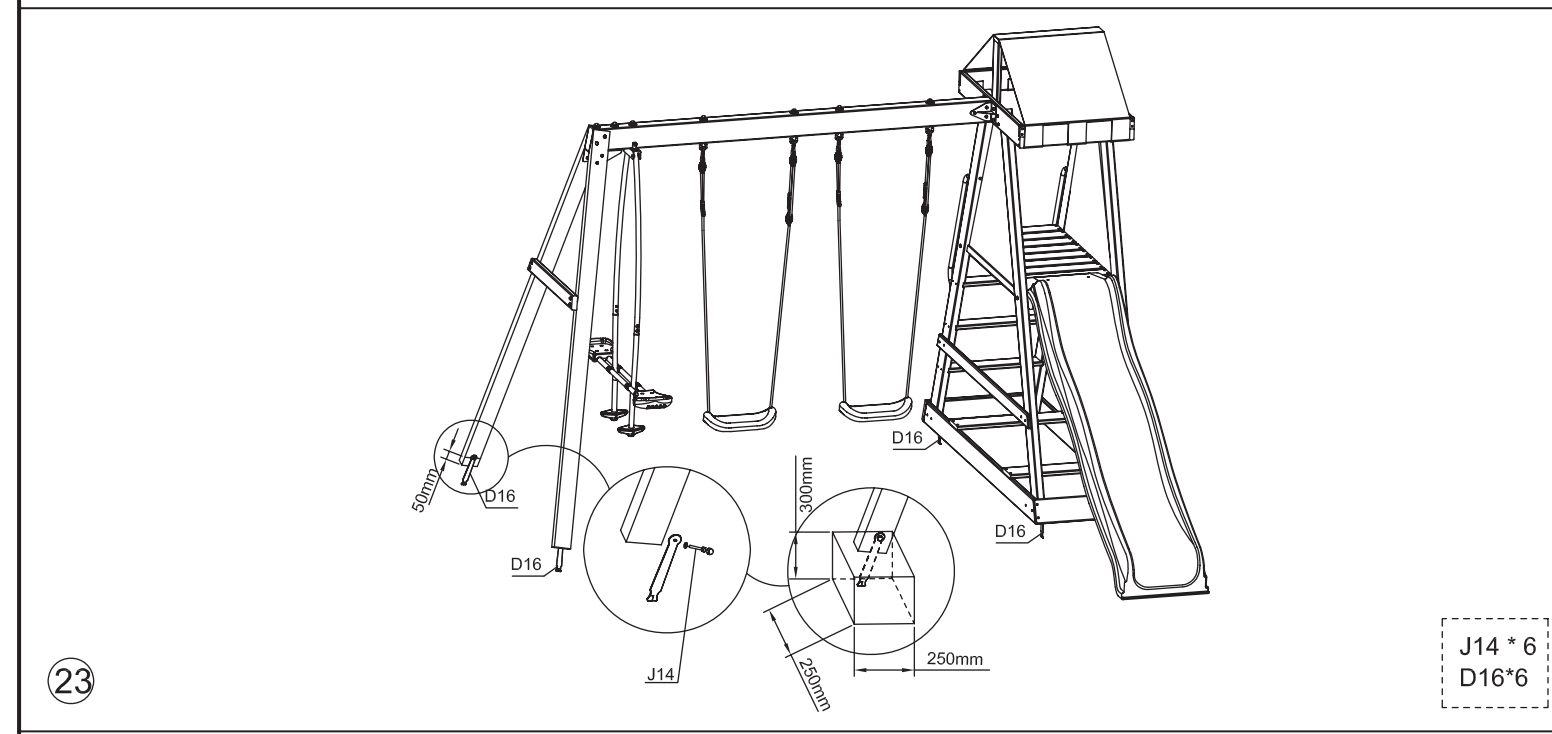


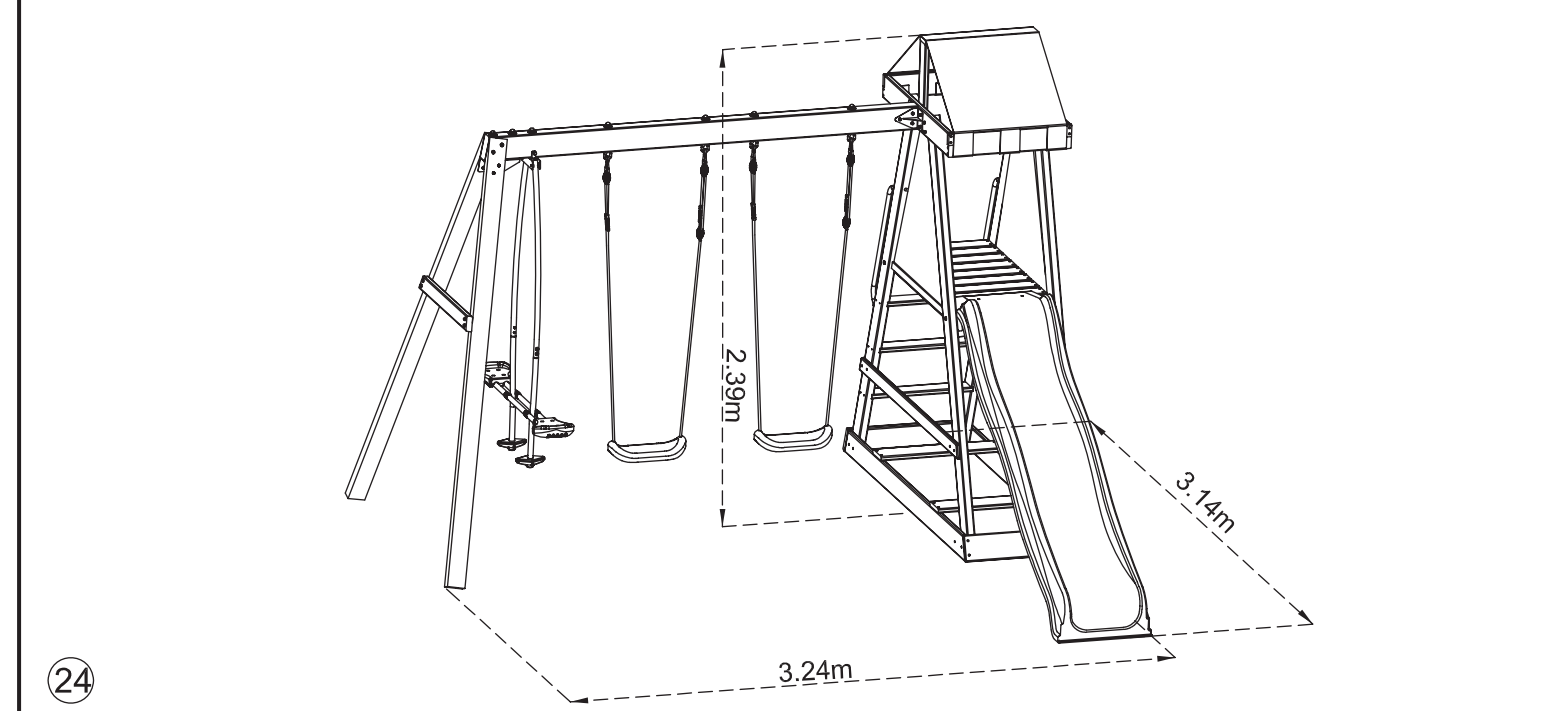
22

C14\*1  
J3\*2



23

J14\*6  
D16\*6



24

**STANLEY SWING SET ASSEMBLY INSTRUCTIONS**

Warning: Only for domestic outdoor use.

Dear Customer,  
The outdoor play center you have just bought satisfies all the requirements of the european standard EN 71 and has been certified by an independant laboratory. To guarantee safety, please give special attention to the assembly, safety, and care instructions detailed in this document.

**Advice for assembly**

- Respect exactly the assembly instructions. This product must be assembled by an adult (It contains small parts that can be easily inhaled or swallowed).
- Keep the instruction sheet especially for the identification of the component by the after sales service.
- The EN 71-8, chapter 4-6 standard requires a 40cm minimum distance between the ground and the 2 person scooter swing and a 35cm minimum distance between the ground and swings. These distances are important for safe use. After having assembled the playground, check these distances. In case of non-conformity, do not hesitate to contact our after sales service.
- For all of our products equipped with a slide, we advise that the slide is not faced towards the sun.
- Before starting the assembly, check that none of the parts are missing. You can retain excess parts as spares for future use when necessary.
- As this product contains small parts that could be swallowed, please keep parts away from children under 36 months.
- Please note that this play set contains timber, a natural product, and as such should be checked for any rough surfaces before use, if required these should be lightly sanded in order to prevent injury.
- Pre-Drill timber before fixing with screws to avoid cracks in the timber.
- Dispose of packaging thoughtfully.
- Do not allow children to play with packaging.

**Advice for safety**

- This product must not be used by children under 36 months. It is only for children from 3 to 12 with a 50 kg maximum weight. It must be used under adult supervision.
- This product is only for private use at home and must never be used in parks and public gardens, in schools, camp sites, hotels, public leisure areas, etc.
- The swing set should be set up on a flat surface and 2 metres away from all other things, structures or obstacles (walls, fences, trees, washing lines or electric cables etc....) that could cause injury during use.
- The product must be installed on a horizontal and plane surface (otherwise risk of tipping over). The product must not be set up on hard surfaces (concrete, tarmac, etc.). Grass or soft surface are better.
- The play centre must be embedded firmly into the ground, respecting the assembly instructions. Only use this product when the concrete is dry.
- The anchorage must be checked regularly, in addition to the hooks and fixtures.
- The posts extremity should be out of the concrete. Do only dispose the empty packaging in places intended for it, and keep out of reach of children.
- Any modifications made by the consumer to this play set should be carried out according to the instructions of the manufacturer.
- CAUTION ! This Product Contains Timber, Please Keep away from fire.
- Please allow a safety perimeter of 2m

**Fixing into the ground**

- 1- Assemble the swing completely and put it in the desired place.
- 2- Locate and mark the sealing legs place.
- 3- Check the dimensions showed on the diagram, and correct if necessary

- 4- Under the four feet, mark a square of 250 x 250 mm and dig on a 300 mm depth.
- 5- Fill these holes with concrete. The top of the dome should not exceed the level of the ground.
- 6- Put the sealing leg in the concrete on the located place (see point 2). Be careful, let out of the concrete the drilled end of the leg.
- 7- Once the concrete is dried, screw the feet on the sealing legs.
- 8- Only use the product once the sealing has completely dried.
- 9- Anchors should be placed level with or below ground level in order to reduce tripping hazards.
- 10- Cover with ground the sealing.
- 11- Check this anchoring periodically

**Maintenance**

- All parts should be checked at least once a month. Certain safety checks should include, if necessary, removing any sharp edges, replacing missing screw covers, tightening the nuts and bolts etc, to avoid any danger through normal wear and tear or any upturning of the swing set.
- The metal parts do not need any particular care. However, in certain regions (ie seaside areas), certain coatings could be prone to damage. In this case, it is advised to use a rust prevention treatment.
- If the fixtures and hooks show wear over 10% of their initial thickness, then they should be replaced by exactly the same fixtures as those originally provided.
- All parts that are under constant friction can be oiled regularly with a suitable lubricant.
- The ground on which the play centre is placed should be controlled regularly. All elements such as stones or other objects that could cause injury in the case of a fall, should be removed.
- It is advised to remove the apparatus during the winter period, when not in use, to avoid any deterioration due to bad weather conditions.
- Every used apparatus and/or part must be replaced only by a part delivered by our after sales service, or by an approved retailer.

**Comfort**

Should the apparatus grate, then apply a suitable gel lubricant. Do not use liquid lubricant as it will run down the fixings and apparatus. The height of the swing can be adjusted using the plastic eyelet fixture. By pulling the rope through the fixture, the height of the seat can be adjusted to suit the user. Apart from the rope, the ladder and the net ladder, all other apparatus can be adjusted.

**Warranty**

You are entitled to have the goods repaired or replaced if the goods fail to be of acceptable quality and the failure does not amount to a major failure. Full details of your consumer rights may be found at [www.consumerlaw.gov.au](http://www.consumerlaw.gov.au)

Please visit our website to view our full warranty terms and conditions: <http://www.lifespanonline.com.au/Warranty-Policy>

**Contact us**

Please visit our website at: [www.lifespanonline.com.au](http://www.lifespanonline.com.au)  
Email us at: [info@lifespanfitness.com.au](mailto:info@lifespanfitness.com.au)

This manual may be subject to change. Please view our website [www.lifespanonline.com.au](http://www.lifespanonline.com.au) for the most recent version of this manual

**CAUTION !** Fall danger.

Dimensions given are indicative only.

They may vary according to the assembly method.

**CAUTION !** This product contains small parts that could be swallowed.



H147 1000 x 120 x 25 1x	H132 1000 x 120 x 25 1x	H130 2140 x 100 x 40 2x	H140 841 x 30 x 18 2x	D49 2x	G1 M6 14x	D19 4x	
H135 630 x 120 x 22 2x	H243 624 x 130 x 22 4x	H136 1841 x 120 x 22 2x	H141 2220 x 120 x 70 1x	J14 M6 x 40 16x	G2 M8 27x	D16 6x	
D28 1x	D27 1x	H144 720 x 70 x 28 1x	B6 2x	J5 M6 x 50 8x	J3 M5 x 25 2x	C3 8x	
H131 1073 x 90 x 25 2x	H134 520 x 100 x 22 3x	B202 2x	C41 1x	F9 M8 x 60 4x	J8 M 4.5 x 20 12x	D10 Ø6 30x	
H145 580 x 80 x 22 1x	I19 1x	B203 2x	H129 2140 x 100 x 40 1x	F8 M12 x 140 3x	J4 M 4.5 x 45 12x	E39 M 8 x 40 4x	
H133 500 x 100 x 22 9x	I18 2x	B120 2x	H143 2180 x 90 x 45 1x	F2 M 8 x 50 2x	J1 M 4.5 x 40 106x	E5 M 8 x 78 2x	
H146 410 x 80 x 22 2x	C1 2x	C28 2x	D12 Ø10 2x	H142 2180 x 90 x 45 1x	F1 M 6 x 38 8x	E1 M 6 x 35 6x	D11 Ø8 4x
H139 220 x 40 x 22 2x	C4 2x	H138 1500 x 70 x 18 1x	H128 2140 x 100 x 40 1x	E30 M 8 x 85 3x	E16 M 8 x 75 12x	10/13 M6/M8 1x	
						A4 S=4 1x	