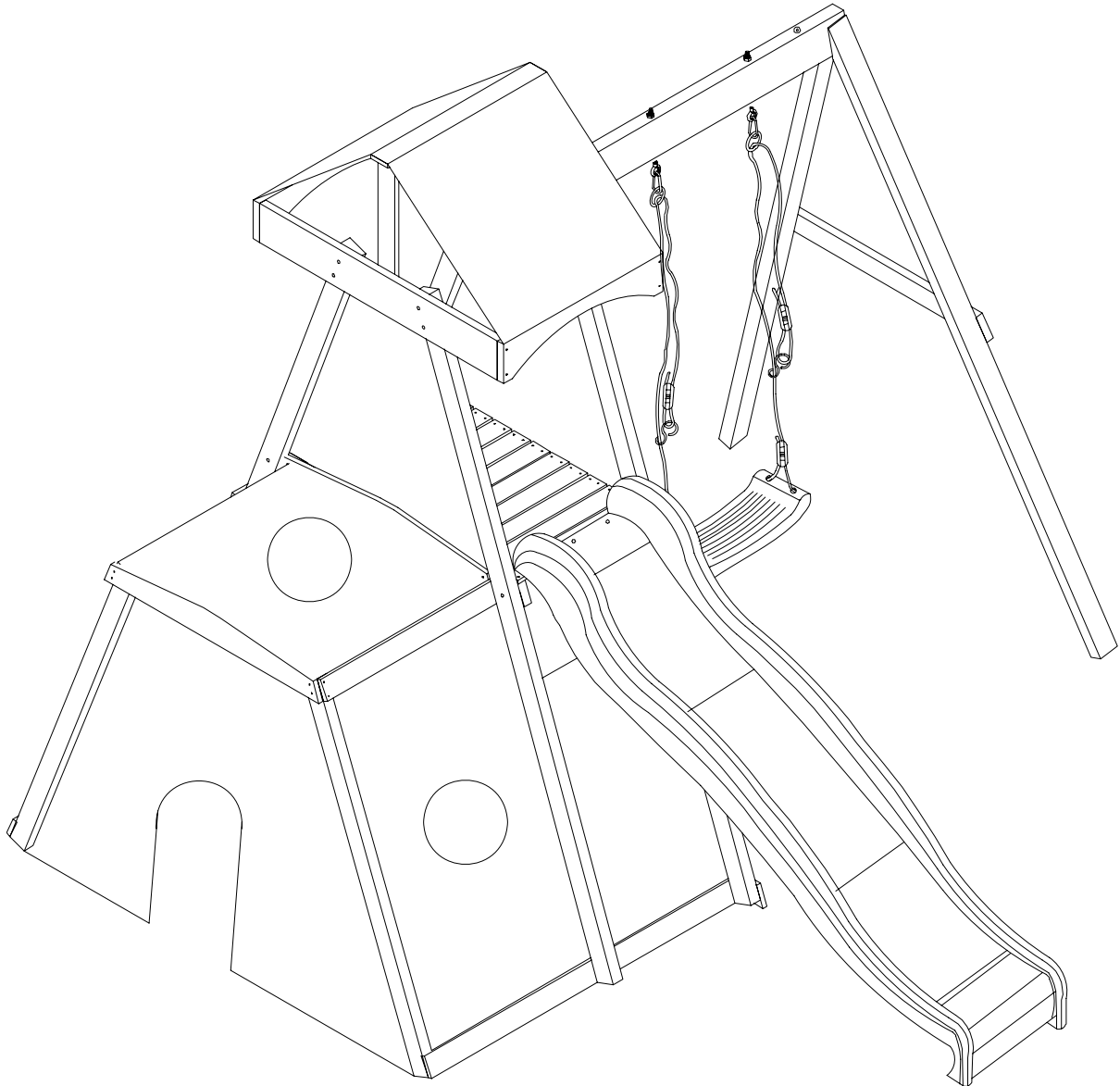




PE39 Hawke Swingset



WARNING!

Not suitable for children under 3 years until fully assembled. Small parts. Choking hazard.

IMPORTANT RETAIN FOR FUTURE REFERENCE: READ CAREFULLY

The owner's manual contains safety, assembly, use and maintenance instructions. The product must be assembled by an adult who has read and understood these instructions. Keep the packaging away from children and dispose of all packaging before use.

For the installer and your children's safety, it is important to fully read and understand the instructions and safety hazards before commencing the assembly of the product.

This manual may be subject to change. Please view our website www.lifespankids.com.au for the most recent version of this manual



Safety

- ⚠️ Only adults should assemble or disassemble this product.
- ⚠️ This product may contain sharp edges and small parts prior to assembly - product must be assembled by an adult
- ⚠️ This product is safely designed for children between the ages of 3 years and up.
- ⚠️ Adult supervision of children is required at all times when on or around this product. We advise that parents should observe and ensure that their children have the strength and skills to enjoy all the equipment safely before using them on their own.
- ⚠️ To prevent serious injury do not allow children to play on the product until it is completely assembled and installed.
- ⚠️ Children using this product should only use the product in the manner intended. i.e. do not climb on the unit.
- ⚠️ This unit must be placed on a level surface at least 2m from any structure or obstruction such as a fence, garage, house, overhanging branches, laundry lines or electrical wires.
- ⚠️ Not to be installed over concrete asphalt or any other hard surface.
- ⚠️ Modifications made to this product (e.g. adding an accessory) shall be carried out according to the instructions of the manufacturer.
- ⚠️ **Warning. Product is designed for domestic use only.**
- ⚠️ **Warning. Indoor and outdoor use permitted.**

Timber

Our product was manufactured from premium timber with great care dealt in selecting, machining and treating the timber before it is sold to you.

Bear in mind that timber is a natural product and may experience changes throughout the course of its life. It may:

- Develop openings (gaps, slits, apertures, cracks) along the line of the grain. This occurs due to moisture content between internal and outer surfaces of the timber. It is totally acceptable and will not affect the integral strength, life or guarantee of the product.
- Fade as the timber reacts with sunlight. The timber should be treated with a proprietary product to act as a protective barrier (i.e. a watery repellent on an annual basis)
- Warp and distort its shape. Any distortion will be slight and will not affect the safety or enjoyment of this product.

Assembly

This product contains pre-assembled parts for easier assembly.

One adult is required for the assembly or disassembly of the product.

Do not allow children to play on the product until it is complete assembled and installed

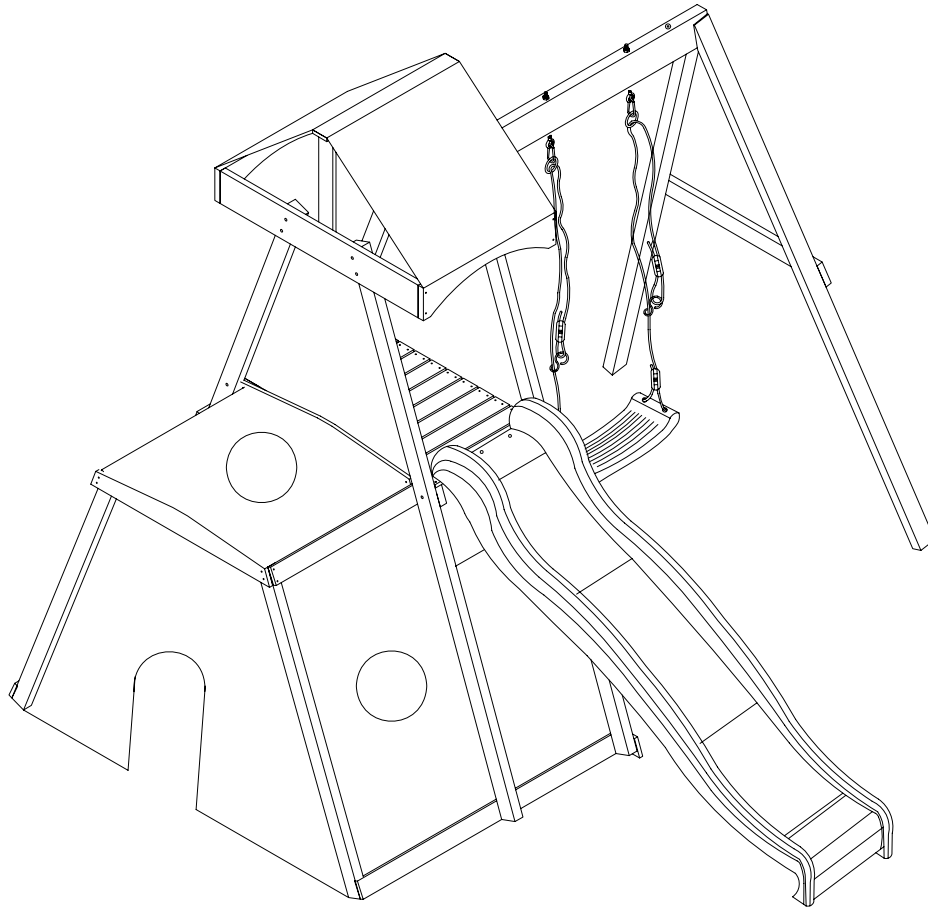
See the next page for Parts and Assembly instructions

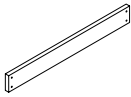
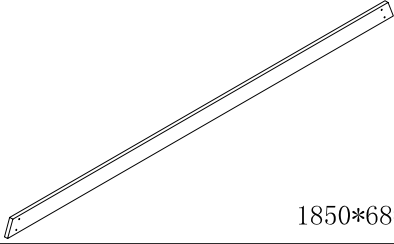
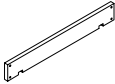
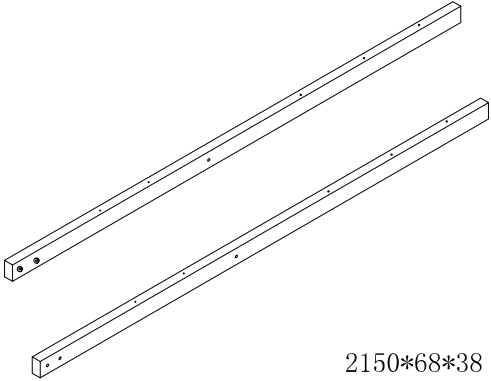
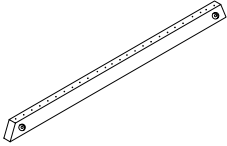
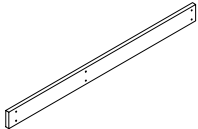
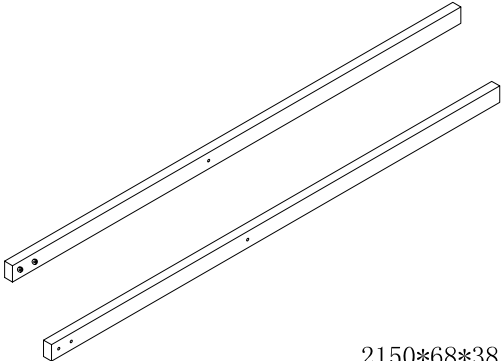
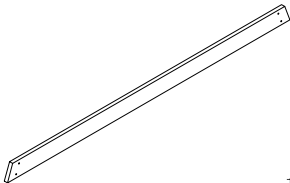
Care and Maintenance

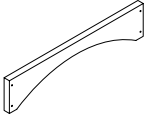
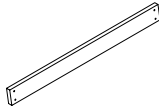
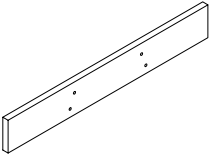
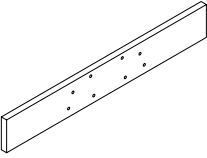
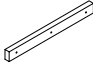
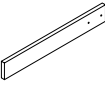
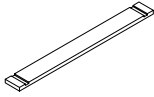
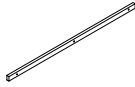
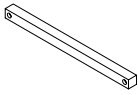
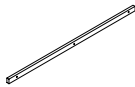
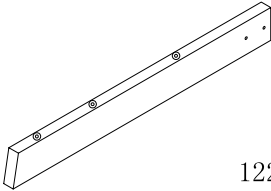
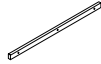
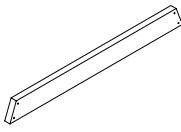
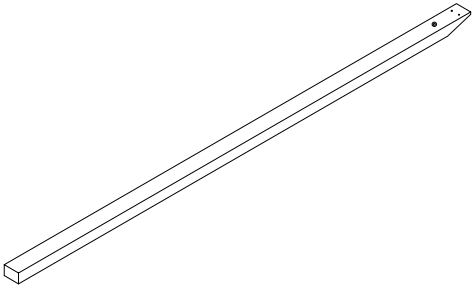
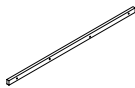
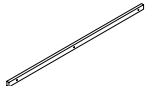
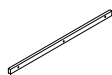
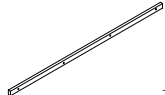
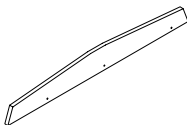
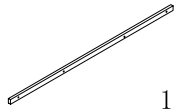

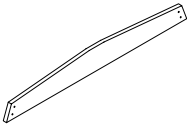


We recommend regular maintenance should be conducted at the beginning of each season for your play equipment to ensure all main parts/fixings are tightly secured, well-oiled and intact to avoid injury or hazard.

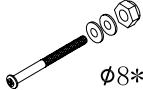
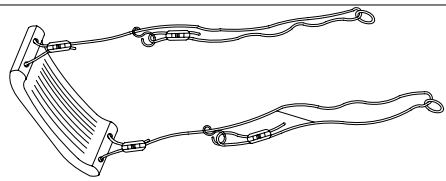

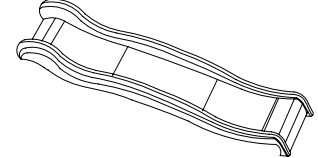




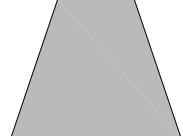
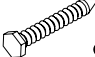


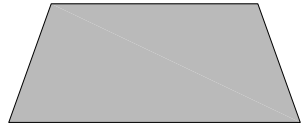

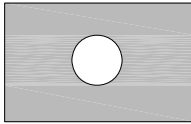
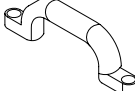
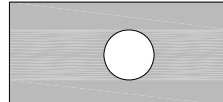
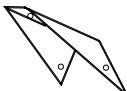
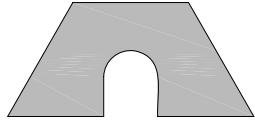
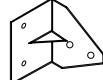
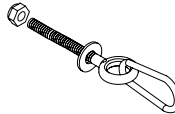
We advise the following tips where applicable:

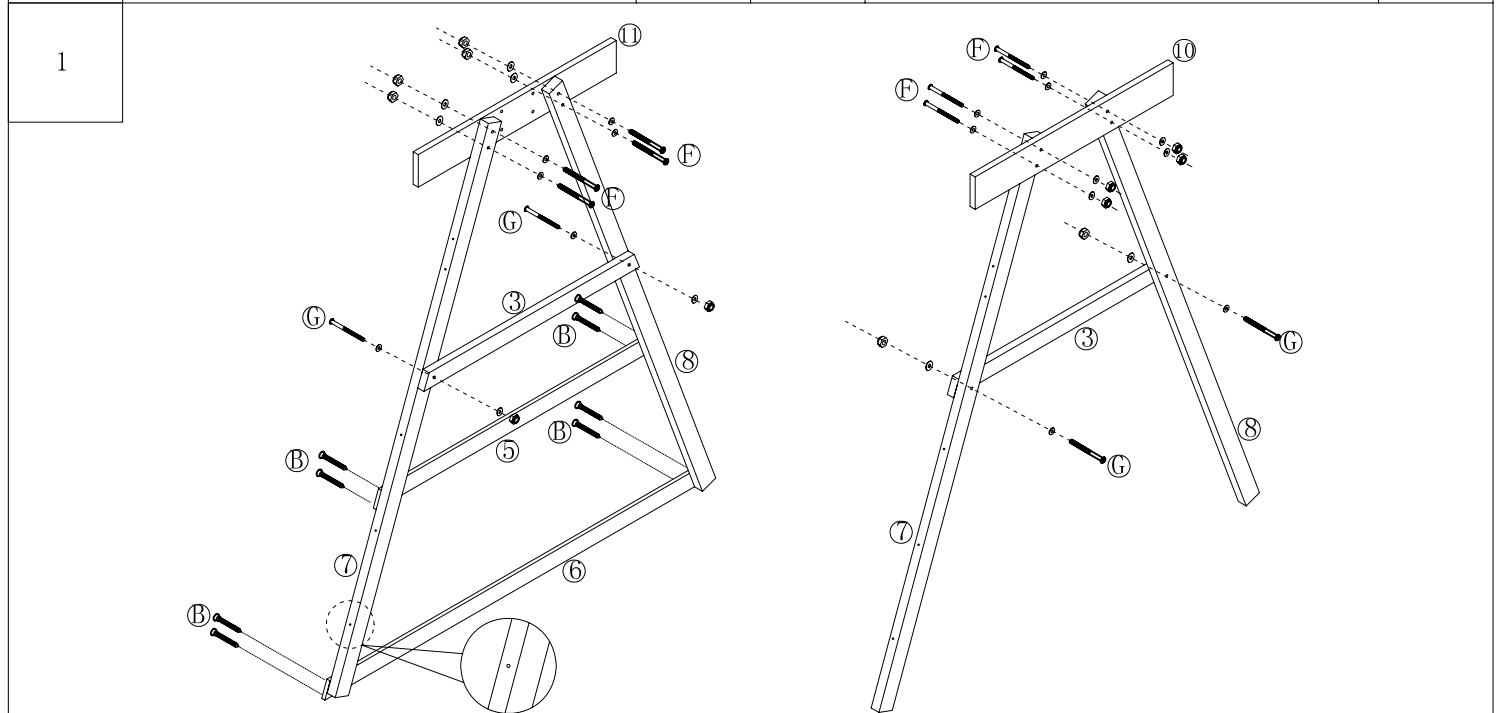
1. Tighten all hardware.
2. Lubricate all metallic moving parts
3. Check all protective coverings on bolts, pipes, edges and corners. Replace if they are loose, cracked or missing
4. Check metal parts for rust. Replace as needed
5. Prevent weathering by applying protective barriers to your timber via proprietary products to maintain its quality.
6. Attachments must be regularly examined for evidence of deterioration. Replace any attachments if there are signs of deterioration.



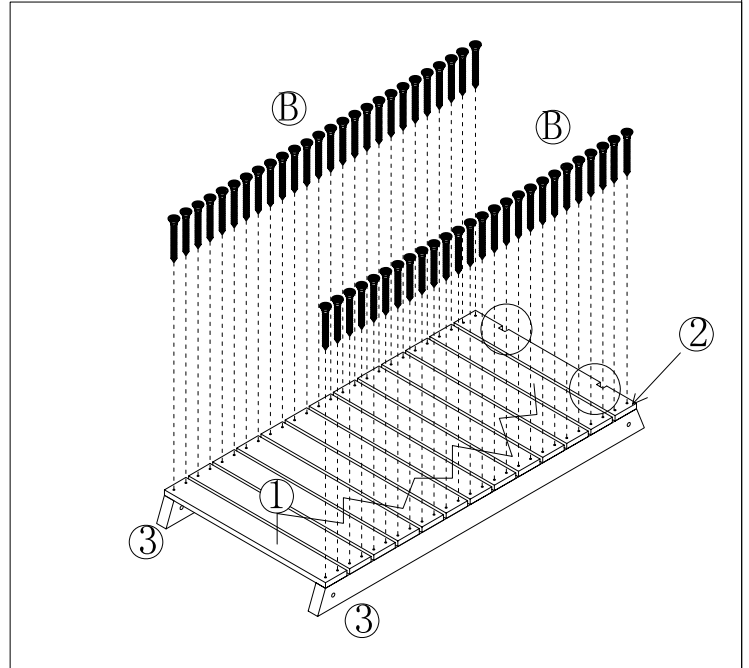
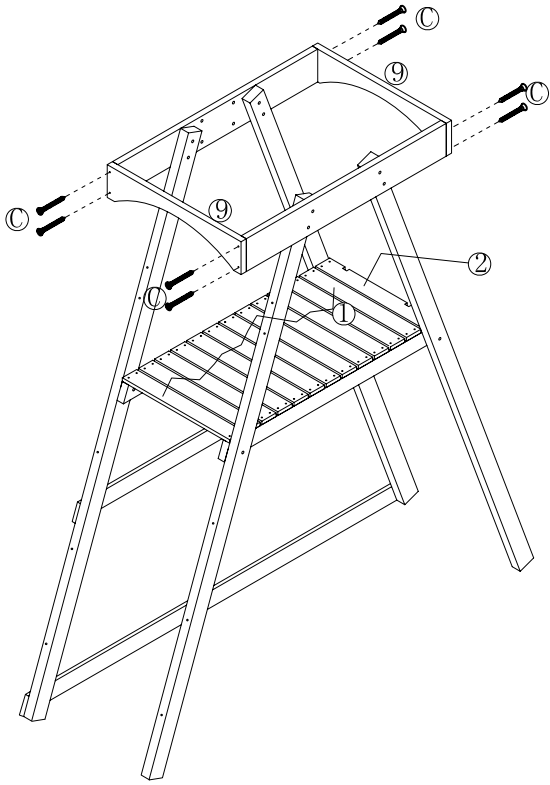
1	 510*68*15	12pcs	6	 1850*68*15	1pc
2	 510*68*15	1pc	7	 2150*68*38	2pcs
3	 985*65*30	2pcs			
4	 1250*68*15	2pcs	8	 2150*68*38	2pcs
5	 1355*68*15	1pc			

9	 636*135*25	2pcs	20	 700*68*15	2pcs
			10	 950*135*25	1pc
11	 950*135*25	1pc	22	 400*40*25	1pc
			12	 480*68*15	2pcs
13	 636*68*15	1pc	24	 810*20*10	4pcs
14	 586*38*38	3pcs	25	 870*20*10	4pcs
15	 1225*135*45	1pc	26	 510*20*10	2pcs
			16	 820*80*25	1pc
17	 2150*68*45	2pcs	28	 1225*20*10	1pc
			29	 790*20*10	1pc
			30	 600*20*10	4pcs
			31	 1090*20*10	4pcs
18	 857*100*15	1pc	32	 1170*20*10	2pcs
			A	 Ø3*20mm	99+3pcs
19	 857*100*15	1pc	B	 Ø3.5*35mm	98+3pcs
			C	 Ø3.5*50mm	16pcs

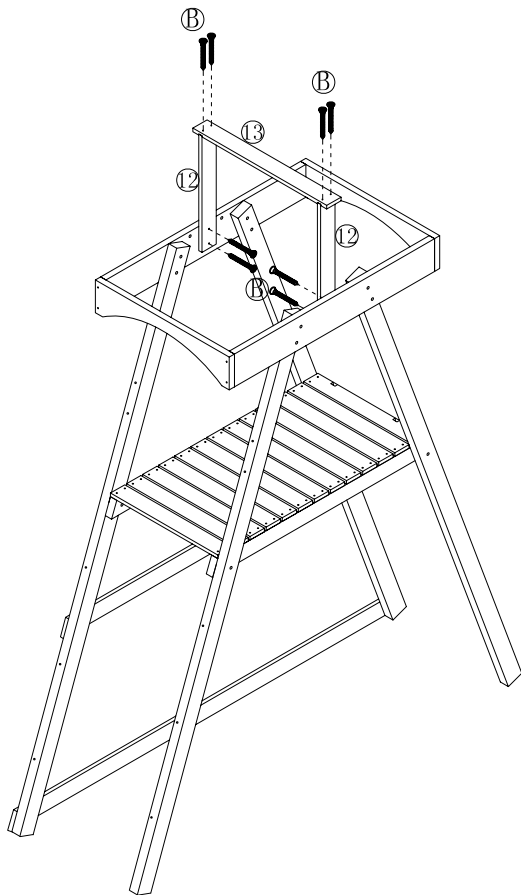
D	 Ø8*40mm	4pcs	P		1pc
E	 Ø8*50mm	2pcs	Q		1pc
F	 Ø8*60mm	10pcs			
G	 Ø8*65mm	4pcs	R	 1300*637mm	1pc
H	 Ø8*140mm	1pc	S	 900*830mm	2pcs
I	 Ø8*60mm	6pcs	T	 900*650mm	2pcs
J	 Ø6*35mm	6pcs	U	 1700*660mm	1pc
K	 Ø3*20mm	3pcs	V	 900*770mm	1pc
L		2pcs	W	 1150*640mm	2pcs
M		1pc	X	 1645*1150mm	1pc
N		2pcs			
O		2pcs			



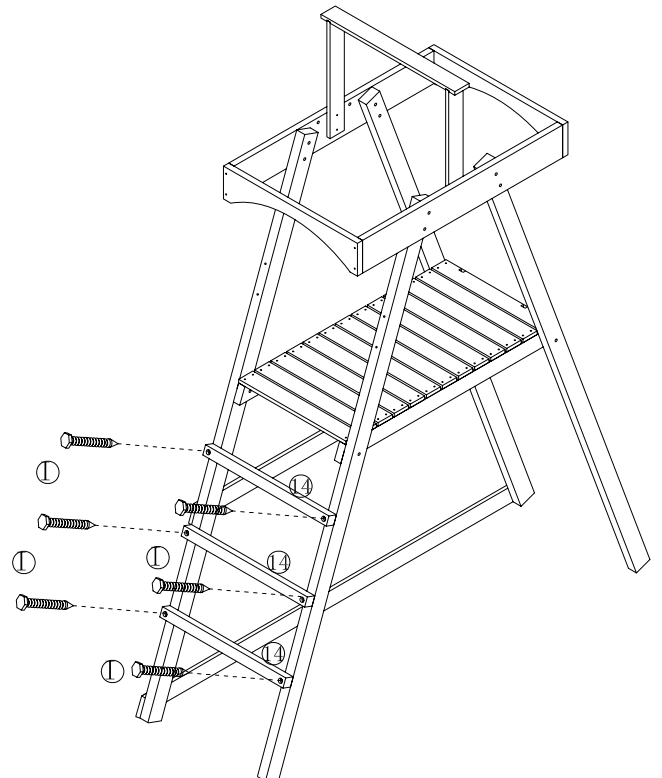
2



3

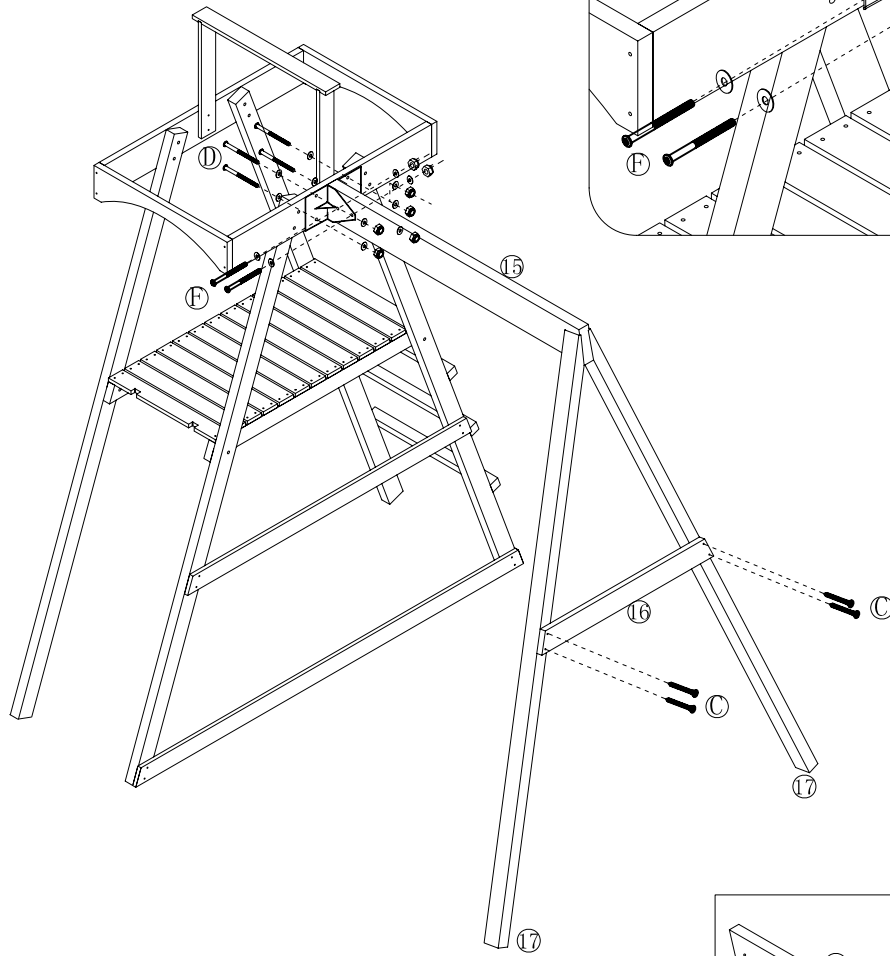
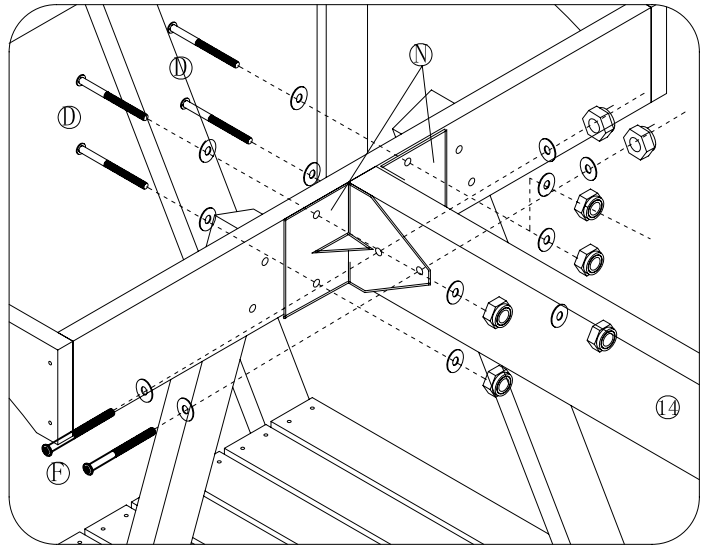


4



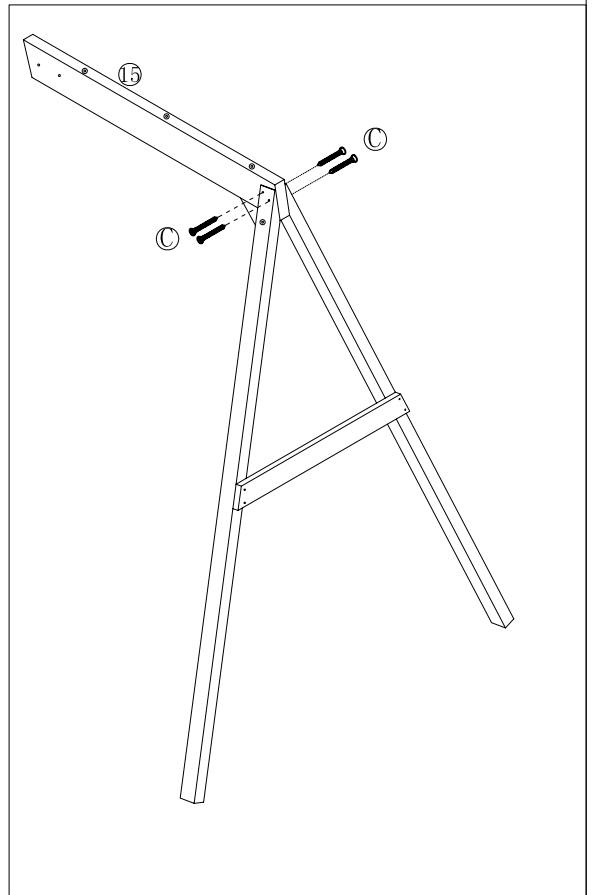
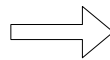
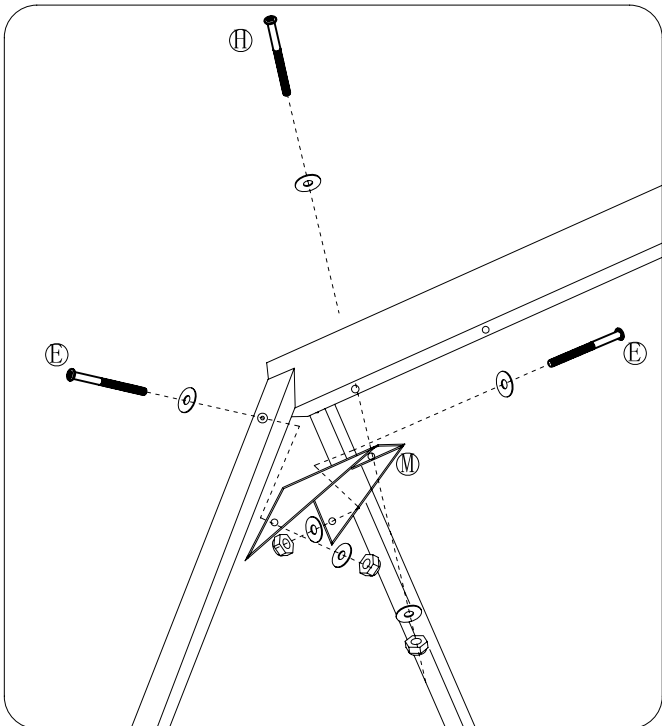


a

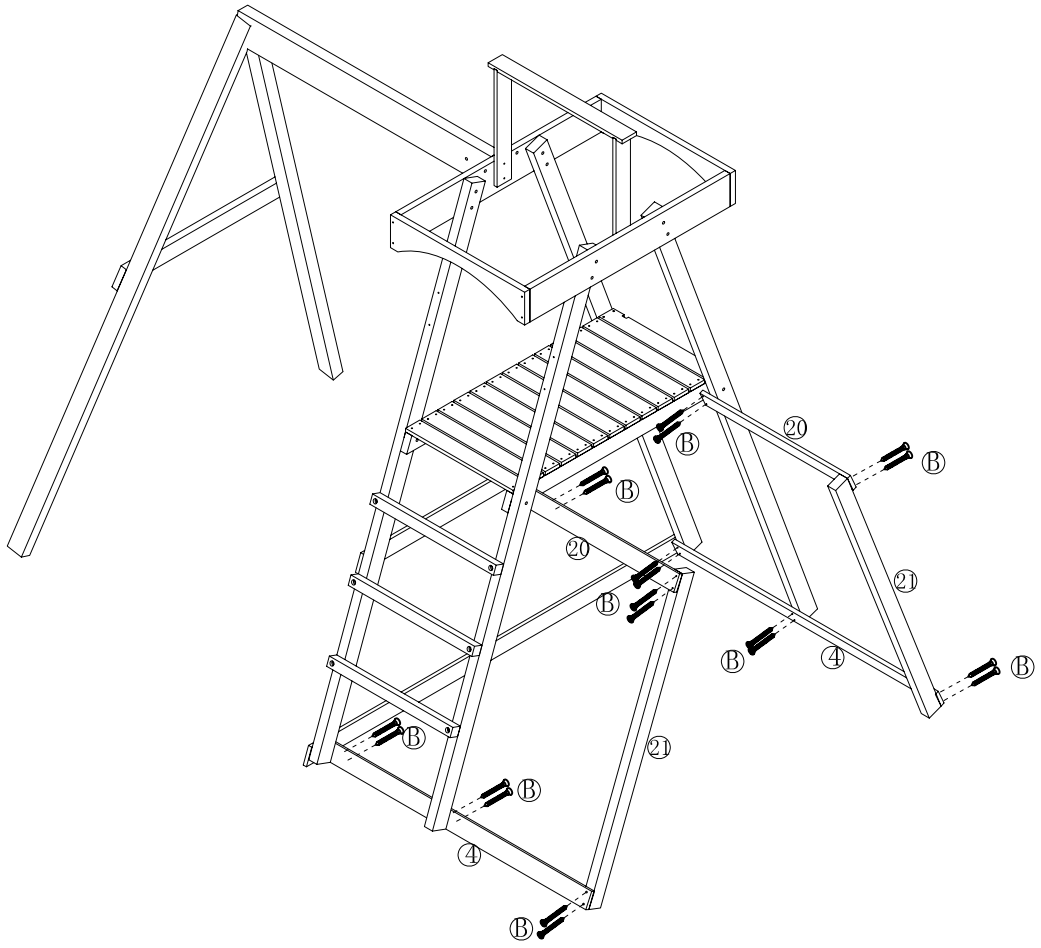


c

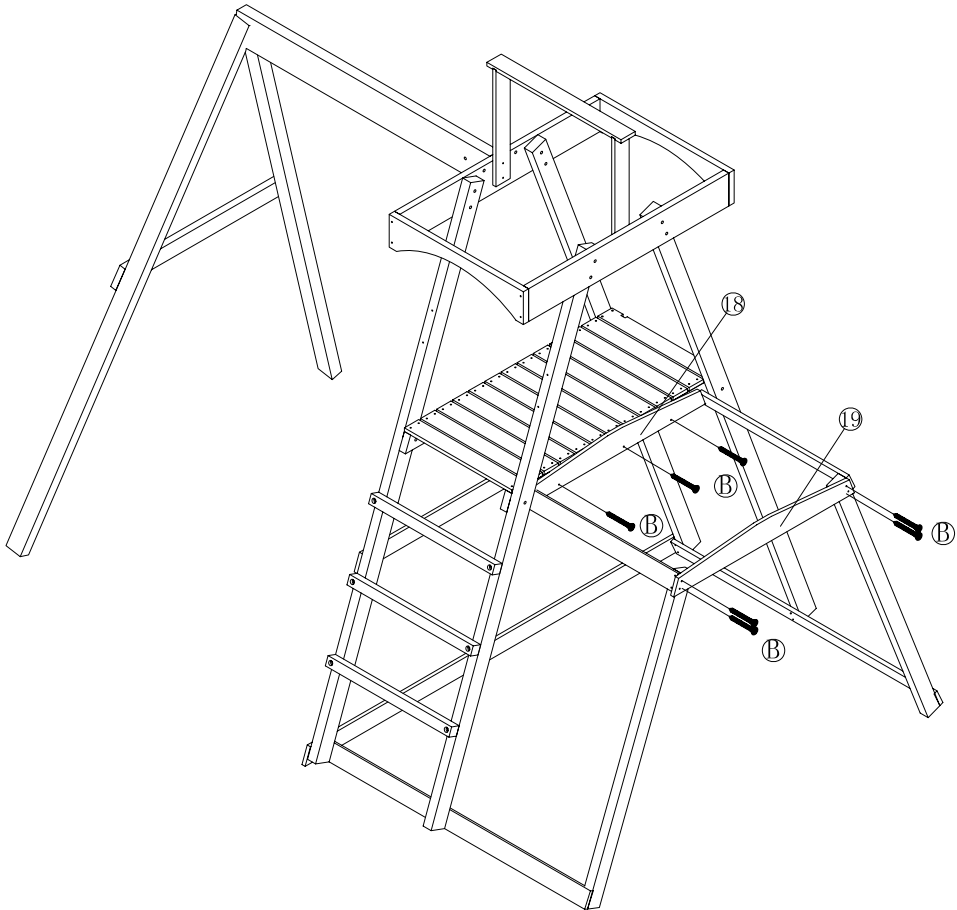
b

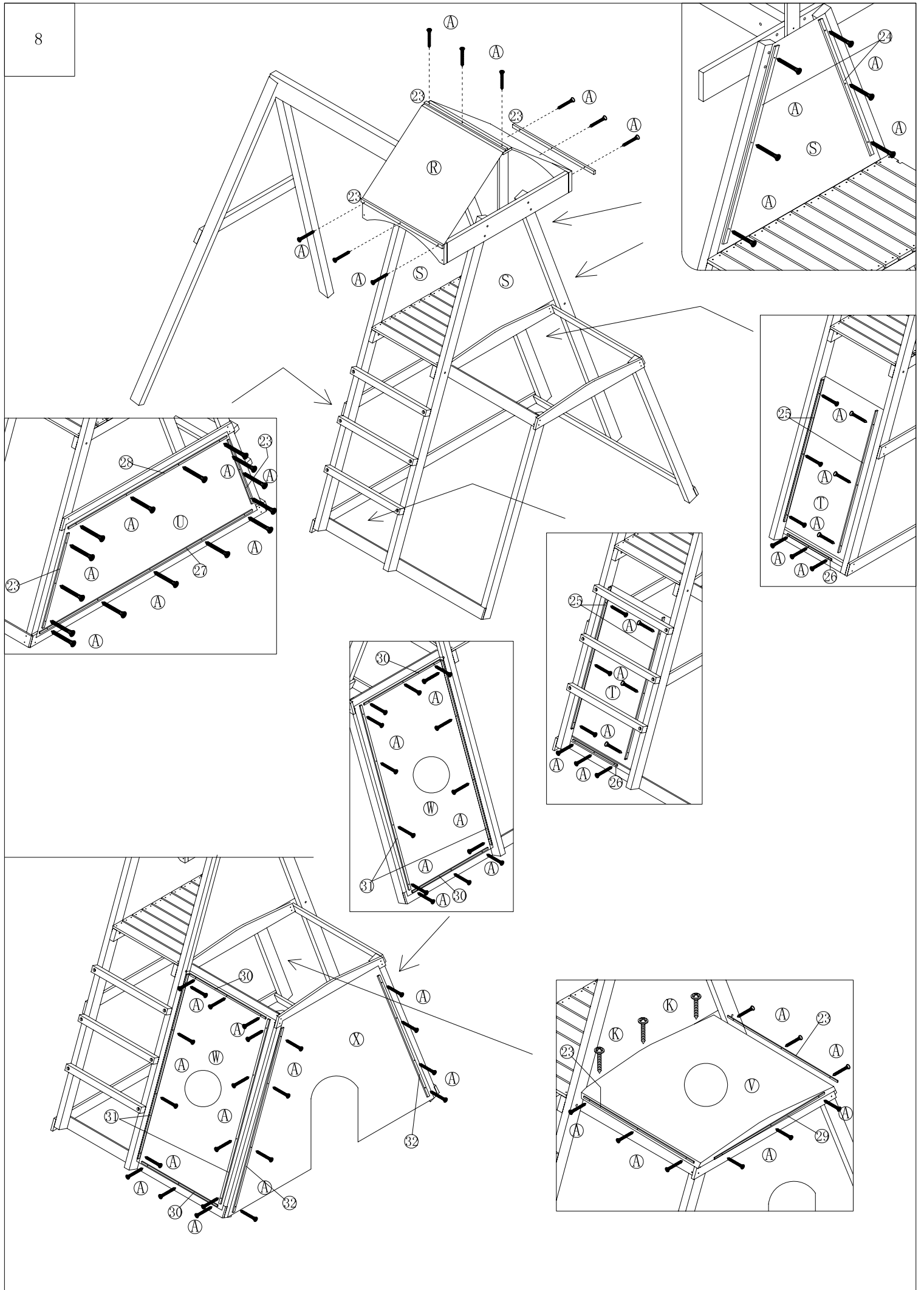


6

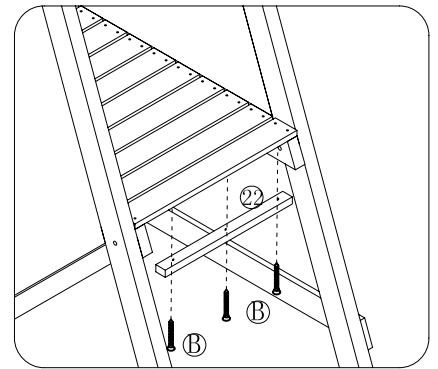
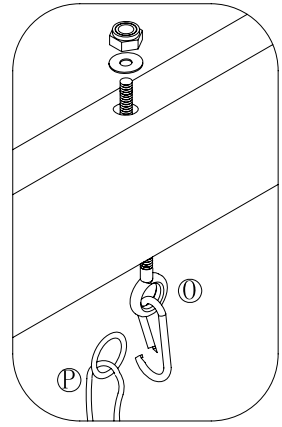
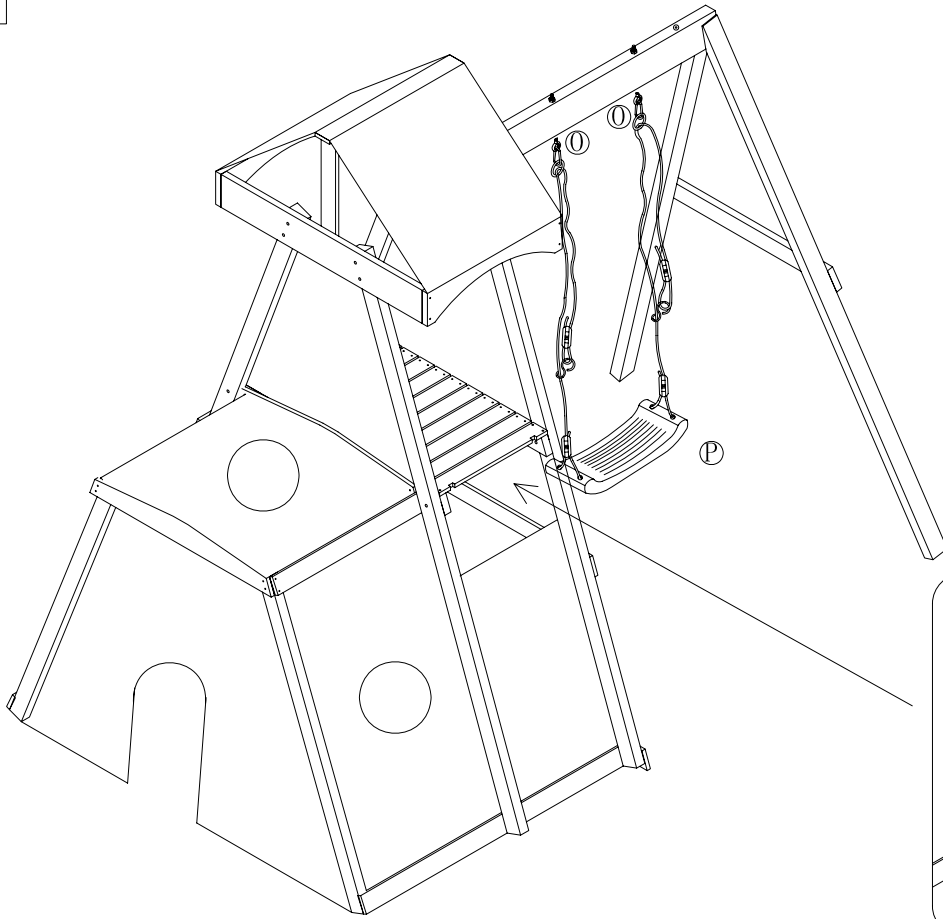


7

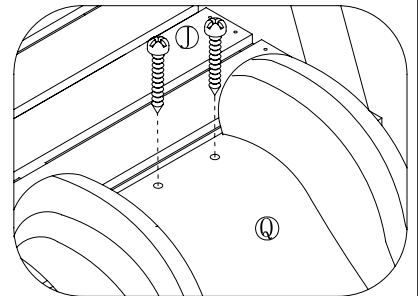
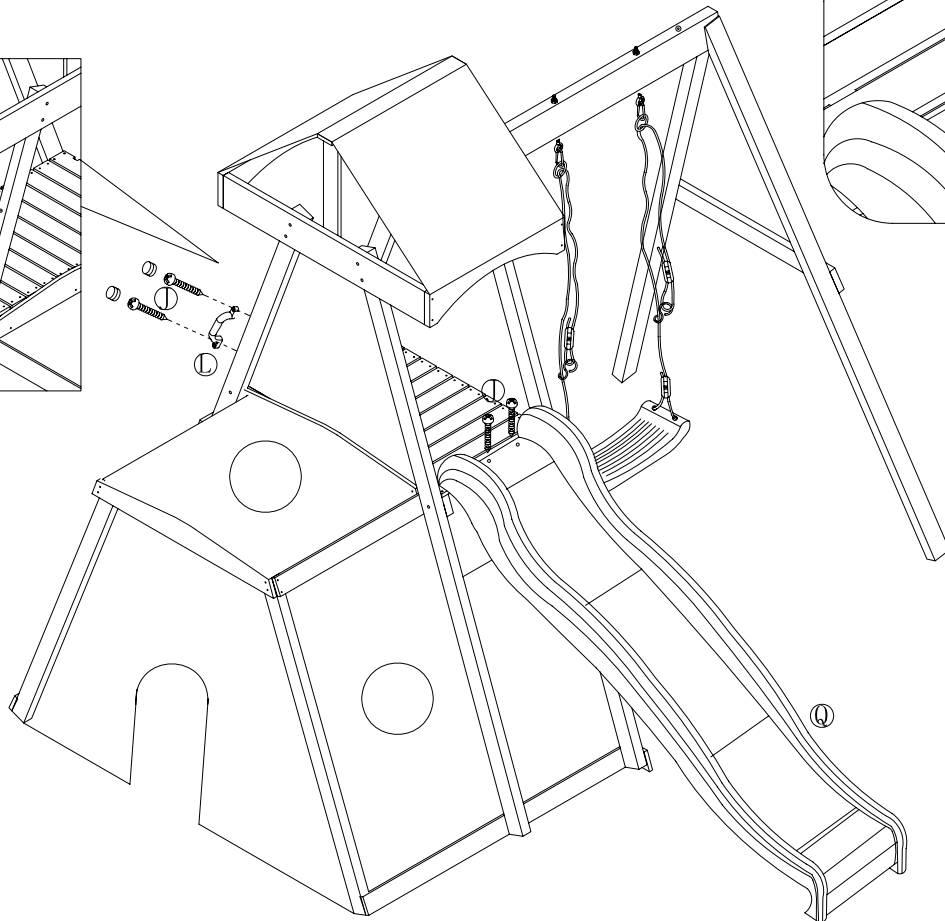
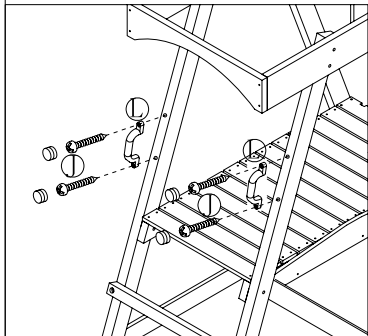




9



10



Warranty

AUSTRALIAN CONSUMER LAW

Many of our products come with a guarantee or warranty from the manufacturer. In addition, they come with guarantees that cannot be excluded under the Australian Consumer law. You are entitled to a replacement or refund for a major failure and compensation for any other reasonably foreseeable loss or damage.

You are entitled to have the goods repaired or replaced if the goods fail to be of acceptable quality and the failure does not amount to a major failure. Full details of your consumer rights may be found at www.consumerlaw.gov.au

Please visit our website to view our full warranty terms and conditions:

<http://www.lifespankids.com.au/Warranty-Policy-Kids>

Please send all warranty and support inquiries through our ticketing system via the email address: support@lifespankids.com.au.

Head Office and Customer Service:

Global Fitness and Leisure Pty Ltd
17 Fordson Rd
Campbellfield
VIC, 3061
Australia
PH: 03 9357 2166

