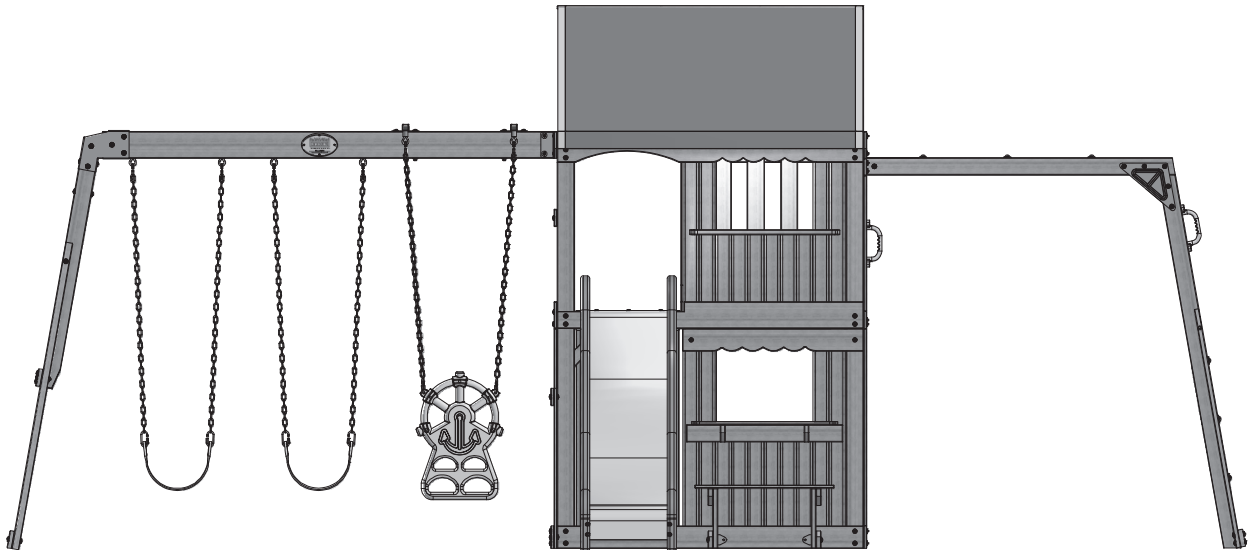




PRAIRIE RIDGE

Wooden Swing Set

Model: #55006



- Owner's Manual
- Frequently Asked Questions
- Assembly Instructions
- Warranty Information

Features the **SAFE-T-FUSE** fastening system. Patent Pending

Save this assembly manual for future reference in the event that you need to order replacement parts.



Free BILT Intelligent Instructions®
Download on <https://biltapp.com/>
Available on Apple and Google Play

Made in China

GENERAL SAFETY INSTRUCTIONS

PURPOSE

This product is intended for outdoor, domestic use only. It is not suitable for commercial or medical use.

DANGER FOR CHILDREN

- **WARNING! No eating while using the product**
- This product may only be used with adult supervision at all times.
- The packaging material is not suitable for children due to choking and suffocation hazards.

RISK OF INJURIES

- Do not use the product if it is damaged or defective. If it is damaged or defective, please contact a qualified technician.
- Check the product before each use. Defective parts must be changed immediately as they can impair the function and the safety of the product.
- No more than one person per swing or per attachment.
- Use the product only on even and non-slipping surfaces. Never use it near water and keep sufficient space around for safety.

PRODUCT DAMAGE

- Do not make alterations to the product. Only use original spare parts. Qualified technicians should only carry out repairs – improper repairs can lead to danger for the user. Use this product only as described in this manual.
- Protect the product against splashes, humidity, high temperature and direct sunlight.

ASSEMBLY ADVICE

- The assembly of the product must be done carefully and by an able-bodied adult. If in any doubt, ask a technically qualified person.
- Before you start with the assembly, read the instructions carefully.
- Remove all packaging materials and lay down all parts on an open space. This gives you an overview and simplifies the assembly procedure.
- Check with the parts list that all parts are available. Dispose of the packaging material when the assembly is completed.
- Beware that when using tools or doing technical work, there is always a risk of injuries. Assemble the product with care.
- Create a danger free environment; for example, do not let tools lay around the workspace. Store the packaging material in a way that cannot cause any danger.
- After installing the product according to the instruction manual, ensure all screws, bolts and nuts are correctly installed and tightened and that all joints are secure.
- Reasonable space must be kept between the product and possible sources of danger, such as other equipment swimming pools and fences.
- The product must be assembled correctly before use.
- Place the product on a level surface at least 2 m from any structure or obstruction such as a fence, garage or house.
- No modifications are to be made to the original product.
- The product must always be used in a well-lit area.
- Do not place anything under the product.
- Use gloves during assembly and disassembly.
- Outdoor products should be equipped with a device that in strong wind conditions avoid displacement due to wind (e.g. steel bars in the ground or loads like sand bag or water bags).

- In certain areas during winter, snow buildup and the low temperatures can damage the product. It is recommended to remove snow buildup and to store the product indoor.
- We strongly recommend visual inspections every 3 months to insure the integrity of the entire product. Replace any parts as necessary.

SAFETY INSTRUCTIONS

- The safety instructions of the product should always be considered and obeyed.
- Using the product may result in permanent injury such as paralysis, or even death. Falling off the product may lead to injuries, particularly to the back, neck or head.
- No clothes with hooks or lose parts should be worn or carried during product usage in order to avoid hooks getting caught and causing injury.
- Moving the product whilst assembled may affect the integrity of the frame. Should it be necessary to move the product, please consider the following:
 - 1.) Force to be evenly spaced around the frame to lift the product off the ground
 - 2.) The product must be carried horizontally
 - 3.) Use caution whilst moving as it could bend the product frame.
- Users should be familiar with the assembly manual. This manual contains assembly guidance; selected precautionary measures as well as recommendations for servicing and maintenance of the product, in order to ensure safe and fun usage.
- It is the responsibility of the owner or the supervisor to guarantee that all users of the product are informed sufficiently of all warning references and safety instructions.

For the supervisor:

The supervisor's role is to make sure users are aware of all safety precautions and that these precautions are enforced. When a supervisor is not available, the product may be disassembled or covered to limit access.

- The product can be only used if it is in good condition, worn or damaged parts should be replaced.
- Objects, which could be dangerous to the user, should be away from the product
- Avoid unauthorized and unsupervised use of the product.
- Do not use the product under influence of alcohol or drugs (incl. medicines).
- Do not use the product or its attachments as a jumping platform.

Consumer Information Sheet for Playground Surfacing Materials

The US Consumer Product Safety Commission (CPSC) estimates that about 100 000 playground equipment-related injuries resulting from falls to the ground surface are treated annually in US hospital emergency rooms. Injuries involving this hazard pattern tend to be among the most serious of all playground injuries, and have the potential to be fatal, particularly when the injury is to the head. The surface under and around playground equipment can be a major factor in determining the injury-causing potential of a fall. It is self-evident that a fall on to a shock-absorbing surface is less likely to cause a serious injury than a fall onto a hard surface. Playground equipment should never be placed on hard surfaces, such as concrete or asphalt, and while grass may appear to be acceptable, it may quickly turn to hard-packed earth in areas of high traffic. Shredded bark mulch, wood chips, tine sand or the gravel are considered to be acceptable shock absorbing surfaces when installed and maintained at a sufficient depth under and around playground equipment.

Table B.1 lists the maximum height from which a child would not be expected to sustain a life-threatening head injury in a fall on to four different loose-fill surfacing materials if they are installed and maintained at depths of 150 mm, 225 mm and 300 mm.

Table B.1: Fall height in millimetres from which a life-threatening head injury would not be expected

Type of Material	Depth of surfacing material		
	150mm	225mm	300mm
Double Shredded Bark Mulch	1800	3000	3300
Wood Chips	1800	2100	3600
Fine Sand	1500	1500	2700
Fine Gravel	1800	2100	3000

However, it should be recognised that all injuries due to falls cannot be prevented, no matter what surfacing material is used.

It is recommended that a shock absorbing material extend a minimum of 1 800 mm in all directions from the perimeter of stationary equipment such as climbing frames and slides. However, because children may deliberately jump from a moving swing, the shock absorbing material should extend in the front and rear of a swing a minimum distance of twice the height of the pivot point measured from a point directly beneath the pivot on the supporting structure.

This information is intended to assist in comparing the relative shock-absorbing properties of various materials. No particular material is recommended over another. However, each material is only effective when properly maintained. Materials should be checked periodically and replenished to maintain correct depth as determined necessary for the equipment in question. The choice of a material depends on the type and height of the playground equipment, the availability of the material in a particular area, and its cost.

WOOD ADVICE

Our products are manufactured from premium timber. Great care is taken in selecting, machining and treating the timber before it is sold to you.

1. Inspect wood parts monthly. The grain of the wood sometimes will lift in dry periods causing splinters to appear. Light sanding may be necessary to maintain a safe environment. Treating your Product with protection (sealant) after sanding will help prevent severe checking/splitting and other weather damage.
2. We have applied a waterborne translucent stain to your unit. This is done for colour only. Once or twice a year, depending on your climate conditions, you must apply some type of protection (sealant) to the wood of your unit. Prior to the application of sealant, lightly sand any "rough" spots on your set. Please note this is a requirement of your warranty.

Bear in mind that timber is a natural product and may experience changes throughout the course of its life.

It may:

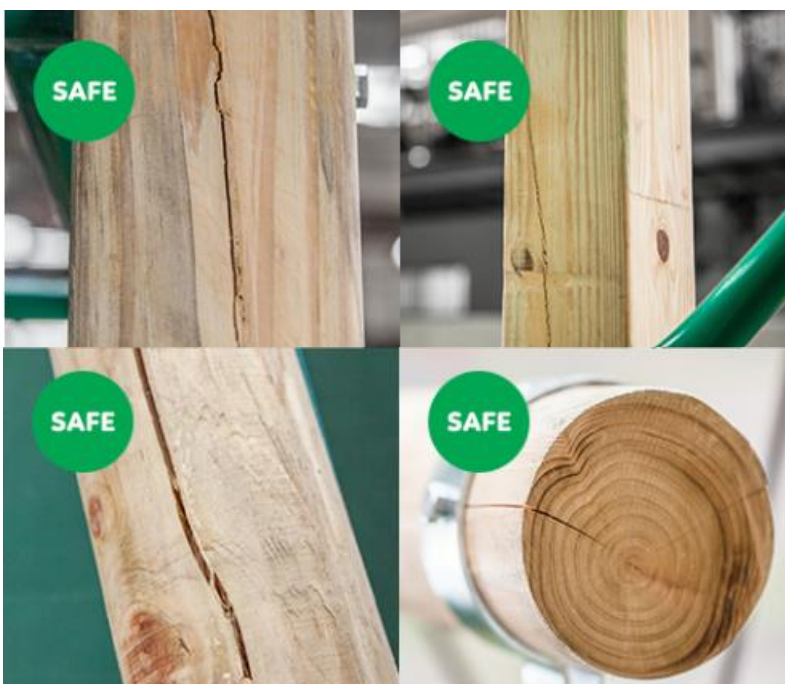
- Develop openings/checks (gaps, slits, apertures, cracks) along the line of the grain.
- Fade as the timber reacts with sunlight.

All woods are hygroscopic, that is, it will absorb or discharge moisture to attain equilibrium with the surrounding atmosphere. Timber openings/checks occur due to the moisture content between internal and outer surfaces of the timber. No two pieces of wood are exactly alike. Each piece has its own characteristics and personality and reacts differently to climate changes. When any wood products are exposed to the elements, it develops 'wood checks'. A check is the radial separation of the wood fibres running with the grain of the wood. These are caused by the varying temperature and moisture conditions. A check does not affect the strength or durability of the wood or structural integrity of the play set.

When should wood cracks be a concern?

Most of the wood splits will never become large enough to affect the reliability and strength of our products, however, there can be rare cases where splits can occur. This happens when a crack develops past the halfway point from the timber, splitting it into two separate pieces.

Feel free to contact us with detailed pictures of your product so we can assess and ensure that your playground remains safe.



Dimensional timbers contain very little heart wood so less splits can be seen.

Round pole swing sets are very thick so that cracks (shown left) will not affect the strength and durability of our swing sets.

RECOMMENDATIONS:

- The swing frame must be securely attached.
- For safety reasons, the cement cubes must be poured 5cm below ground level, at the frame's outer angles.

- The swing frame must not be installed directly on cement, asphalt, or any other hard surface.
- Your swing frame must be attached on a flat horizontal surface with a minimum of 2m between it and any structure or obstacle such as a fence, garage house, tree branches, cloths lines, or electric cables.

For more information: <http://www.lifespankids.com.au/natural-timber>

Play Set Assembly Manual FAQs:

1. Does the area for the playset need to be level?

Yes. We recommend the playset be positioned on a flat level area for maximum safety and durability. The stakes provided should be used to secure it firmly to the ground.

2. What age range is appropriate for the playsets?

The playsets are recommended for children ages 3 – 10 years.

3. Is the wood treated with chemicals?

We use 100% Chinese Cedar wood which is naturally bug resistant, decay and rot resistant. To help ensure your child's safety, our wood is completely chemical free and we do not use pressure-treated wood. The stain we use is a top coat using a water-based product that is for appearance only.

4. How often should the playset be stained?

We recommend the playset be stained once each year. A water or oil based stain can be used at the customer's discretion.

5. Why does it seem that my swing set is developing cracks?

Wood is a natural material; no two pieces are exactly alike. Each piece has its own characteristics and personality and reacts differently to climate changes. When any wood product is exposed to the elements, it develops "wood checks". A check is the radial separation of the wood fibers running with the grain of the wood. These are caused by the varying temperature and moisture conditions. A check is not a crack – it does not affect the strength or durability of the wood or structural integrity of the play set.

6. Do the playsets come with a warranty?

Yes. All Lifespan Kids products carry replacement warranty on all parts for manufacturer's defect. Please see warranty details for more information.

7. What is the best way to get started assembling the playset?

We recommend taking all the parts out of the boxes and arranging them by part number before you begin any assembly. This will not only allow faster assembly, but will also identify any parts that may be missing or damaged so they can be replaced before assembly.

8. The playset seems to rock or sway too much. What's wrong?

Rocking is caused by uneven ground or obstructions such as rocks, roots, etc. under the ground rails. These should be removed and the ground underneath re-leveled to prevent rocking. Also ensure the playset is securely staked to the ground using the anchors provided.

9. The 2"x4" boards do not measure 2"x 4". Why not?

In it is common practice to describe lumber dimensions using the rough cut sizes from the sawmill and not the finished dimensions. Retailers, home stores, etc. all use this accepted practice for describing lumber dimensions. However, the playset is designed and constructed using the actual dimensions so everything fits properly and remains so during the life of the playset.

10. The end beam is not straight up and down. Why not?

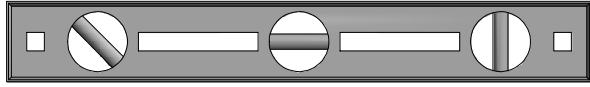
This is normal. Backyard Discovery designs playsets this way to ensure the strongest structure possible. The slight angle adds strength and reduces rocking and twisting.

11. The S-hooks for the swings won't close. What is wrong?

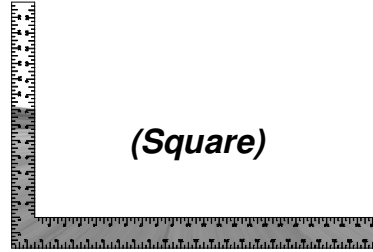
We recommend placing them on a hard surface such as concrete (don't do this on anything that will dent such as metal or finished wood or glass which will break!). It will take quite a few strokes, but the hooks will close.

Tools Required for Installation:

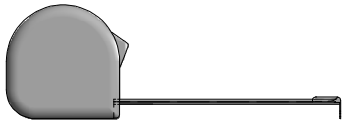
(These are the tools that are generally required for assembly of our outdoor products. These tools are not included with the outdoor product purchase.)



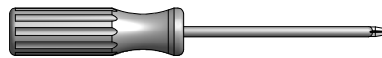
(Level 24")



(Square)



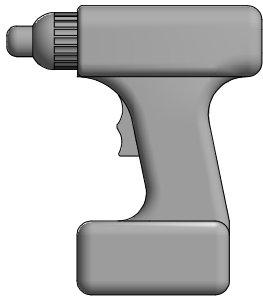
(Tape Measure)



(Phillips Screw Driver)



(Claw Hammer)



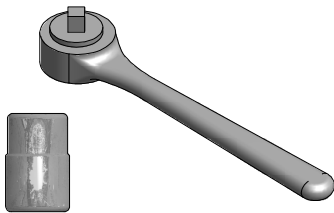
(Cordless Drill or Electric Drill)



(3/16" & 3/8" Drill Bits)



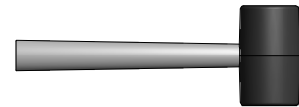
***(Drill Attachments:
Phillips Head)***



***(3/8" Drive Ratchet, 1/2" STD
Sockets 1/2" Deep Sockets)***



(Open End Wrenches 1/2")



(Rubber Mallet - Optional)



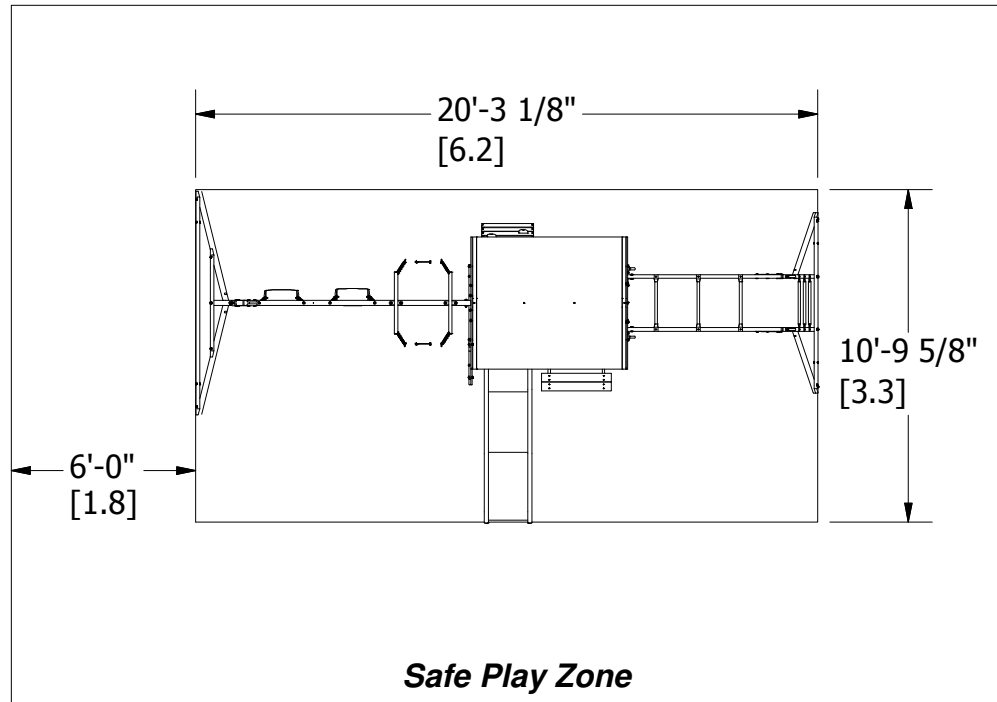
(Ladder)



(An Adult w/ an Adult Helper)

Basic Setup Dimensions

Place the set on level ground, not less than 6 ft [2 m] from any structure or obstruction such as a fence, garage, house, overhanging branches, laundry lines, or electrical wires.

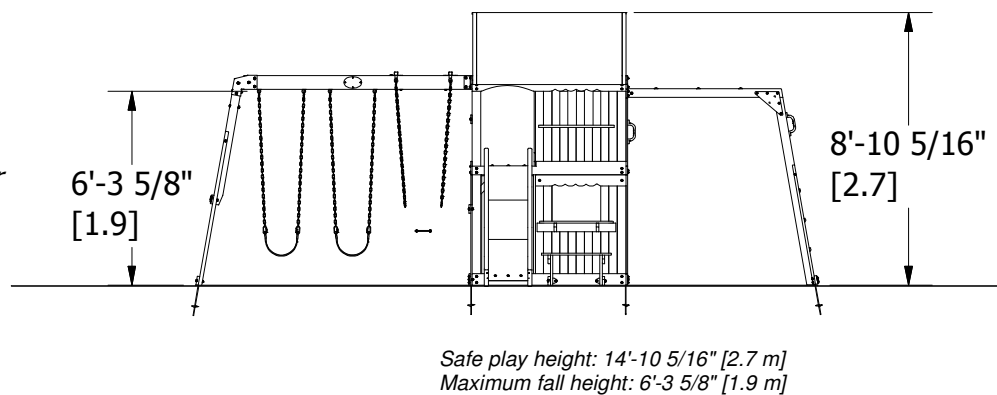


General Information:

Your set has been designed and engineered for children only and for residential use only. A maximum of 150 lbs. per child is recommended for play activities designed for individual use.

A maximum of 120 lbs. per child is recommended for play activities designed for multiple child use.

A maximum of 9 children is recommended for this swing set.



Important Assembly Notes

- 1) While assembling unit, take time before and after each phase to make sure fort is level. If fort is not level, assembly will be difficult and improper assembly may result. Extra care must be taken to insure the fort is square.
- 2) Tighten bolts securely, tighten nuts on bolts flush to the tube or member, and place caps over exposed bolts snug to the nut.
- 3) Pay close attention to the ITEMS NEEDED FOR EACH PHASE. They can be a valuable aid when sorting your wood and hardware. Assembly will be made easier if items are sorted by phase.
- 4) Pay close attention to make sure you are using the correct hardware in the correct phases. Using incorrect hardware may result in improper assembly.
- 5) Whenever a T-nut is used, follow these directions. Place T-nut in pre-drilled hole. Tap in with hammer. Place bolt with washers in the opposite side. Hand tighten to make sure the bolt is in the T-nut. DO NOT over tighten.
- 6) Read the steps of each phase thoroughly. The written steps may include important information not shown in the illustrations.

Parts Identification

Wood Components

(NOT TO SCALE)



- (1) **E1 - UPRIGHT - W101261**
1 3/8"x3 3/8"x81 3/4" (36x86x2076)



- (2) **E2 - UPRIGHT - W103773**
1 3/8"x3 3/8"x81 3/4" (36x86x2076)



- (1) **E3 - UPRIGHT - W101256**
1 3/8"x3 3/8"x81 3/4" (36x86x2076)



- (2) **E71 - MONKEY BAR RAIL - W102369**
1 3/8"x3 3/8"x60 5/8" (36x86x1539)



- (2) **E77 - ANGLE BRACE - W100991**
1 3/8"x3 3/8"x74 3/8" (36x86x1890)



- (2) **E78 - MONKEY BAR UPRIGHT - W100975**
1 3/8"x3 3/8"x74 3/4" (36x86x1900)



- (6) **F71 - STANDARD ANGLE BRACE - W100689**
1 3/8"x2 3/8"x13" (36x60x330)



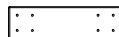
- (1) **H1 - SERVING SHELF SUPPORT - W101604**
1"x3 3/8"x30 3/4" (24x86x780)



- (2) **H3 - SERVING BOARD SUPPORT - W101606**
1"x3 3/8"x3 3/8" (24x86x86)



- (2) **H4 - BENCH SEAT SUPPORT - W104040**
1"x3 3/8"x6 1/2" (24x86x166)



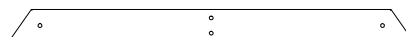
- (2) **H5 - BENCH UPRIGHT - W104041**
1"x3 3/8"x11 3/4" (24x86x300)



- (2) **H6 - BENCH GROUND BOARD - W104042**
1"x3 3/8"x18 1/8" (24x86x460)



- (2) **H73 - ROCK WALL RAIL - W100024**
24"x86"x1238" (24x86x1238)



- (1) **H79 - END SUPPORT - W100992**
1"x3 1/2"x42" (24x86x1072)

Parts Identification

Wood Components

(NOT TO SCALE)



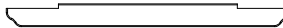
- (1) **H80 - GROUND BOARD - W100990**
1"x3 3/8"x87 3/8" (24x86x2218)



- (2) **H81 - MONKEY BAR BRACE - W100993**
1"x3 3/8"x53 1/4" (24x86x1352)



- (1) **H82 - MONKEY BAR GROUND BOARD - W100994**
1"x3 3/8"x70 3/8" (24x86x1786)



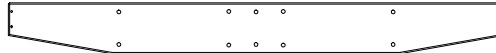
- (1) **J1 - WINDOW LEDGE - W100709**
1"x2 3/8"x29 1/2" (24x60x750)



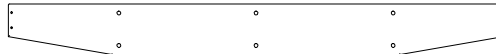
- (4) **J2 - END FLOOR CLEAT - W100710**
1"x2 3/8"x3 3/8" (24x60x86)



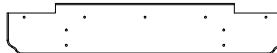
- (1) **J3 - FLOOR JOIST - W100984**
1"x2 3/8"x60 1/8" (24x60x1528)



- (1) **K1 - ROOF SWING BEAM SUPPORT - W100682**
5/8"x5 1/4"x51 5/8" (16x134x1310)



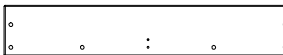
- (1) **K2 - ROOF SUPPORT - W100683**
5/8"x5 1/4"x51 5/8" (16x134x1310)



- (1) **K3 - SERVING BOARD - W101605**
5/8"x5 1/4"x28 3/4" (16x134x729)



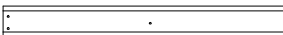
- (1) **K4 - FLOOR RAIL - W103700**
5/8"x5 1/4"x60 1/8" (16x134x1528)



- (1) **K5 - FLOOR RAIL - W103768**
5/8"x5 1/4"x30" (16x134x762)



- (6) **K9-1 - WALL BOARD - W100713**
3/8"x3 3/8"x15 3/4" (11x86x400)



- (4) **K9-2 - WALL BOARD - W100712**
3/8"x3 3/8"x30 1/4" (11x86x768)

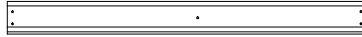
Parts Identification

Wood Components

(NOT TO SCALE)



- (2) **K9-3 - WALL BOARD - W101257**
3/8"x3 3/8"x42" (11x86x1068)



- (2) **K9-4 - WALL BOARD - W101239**
3/8"x3 3/8"x37 3/8" (11x86x950)



- (6) **K9-5 - WALL BOARD - W101259**
3/8"x3 3/8"x21 3/8" (11x86x544)



- (2) **L2 - GROUND BOARD - W100684**
5/8"x4 3/8"x60 1/8" (16x112x1528)



- (1) **L3 - GROUND BOARD - W101602**
5/8"x4 3/8"x46 7/8" (16x112x1191)



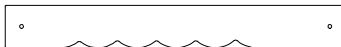
- (1) **L5 - GROUND BOARD - W100686**
5/8"x4 3/8"x30" (16x112x762)



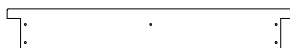
- (1) **L6 - ARCHED RAIL - W100694**
5/8"x4 3/8"x60 1/8" (16x112x1528)



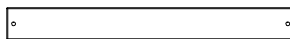
- (1) **L7 - ARCHED SCULPTURED RAIL - W100695**
5/8"x4 3/8"x60 1/8" (16x112x1528)



- (1) **L8 - SCULPTURED RAIL - W101240**
5/8"x4 3/8"x35 1/2" (16x112x902)



- (2) **L9 - END FLOOR BOARD - W102863**
5/8"x4 3/8"x29 7/8" (16x112x760)



- (1) **M1 - PICKET RAIL - W103760**
5/8"x3 3/8"x30" (16x86x762)



- (2) **M2 - BENCH SEAT - W104044**
5/8"x3 3/8"x27 3/8" (16x86x694)

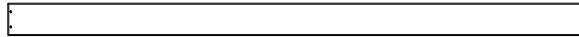


- (2) **M3 - TARP SUPPORT - W100692**
5/8"x3 3/8"x60 1/8" (16x86x1528)

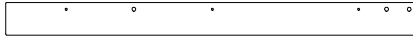
Parts Identification

Wood Components

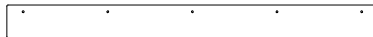
(NOT TO SCALE)



- (1) **M4 - TARP TOP SUPPORT - W100693**
5/8"x3 3/8"x60 1/8" (16x86x1528)



- (2) **M5 - FACE BOARD - W101599**
5/8"x3 3/8"x43 1/8" (16x86x1094)



- (2) **M6 - LOWER FACE BOARD - W101598**
5/8"x3 3/8"x38 5/8" (16x86x982)



- (1) **M7 - WALL BOARD - W100708**
5/8"x3 3/8"x35 1/4" (16x86x895)



- (1) **M8 - WALL RAIL - W100700**
5/8"x3 3/8"x35 7/8" (16x86x910)



- (1) **M9 - ANGLE BRACE - W100696**
5/8"x3 3/8"x35 5/8" (16x86x904)



- (1) **M10 - SAFETY BOARD - W100701**
5/8"x3 3/8"x33 7/8" (16x86x860)



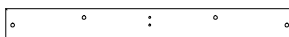
- (2) **M11 - UPPER FACE BOARD - W102866**
5/8"x3 3/8"x26 5/8" (16x86x676)



- (1) **M12 - MONKEY BAR ARCH BOARD - W103775**
5/8"x3 3/8"x30" (16x86x762)



- (1) **M13 - FLOOR RAIL - W103774**
5/8"x3 3/8"x60 1/8" (16x86x1528)

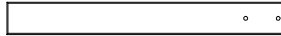


- (1) **M14 - FLOOR SUPPORT BOARD - W103944**
5/8"x3 3/8"x30" (16x86x762)

Parts Identification

Wood Components

(NOT TO SCALE)



- (2) **M16 - TARP SUPPORT - W101237**
5/8"x3 3/8"x29 1/8" (16x86x740)



- (4) **M17 - PICKET - W100705**
5/8"x3 3/8"x27 1/8" (16x86x690)



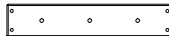
- (4) **M18 - PICKET - W103761**
5/8"x3 3/8"x18 7/8" (16x86x480)



- (6) **M71 - ROCK BOARD - W100022**
5/8"x3 3/8"x20 1/4" (16x86x514)



- (2) **M72 - ROCK WALL SLAT - W100023**
5/8"x3 3/8"x20 1/4" (16x86x514)



- (1) **M77 - SLIDE BRACE - W100544**
5/8"x3 3/8"x17 1/4" (16x86x438)



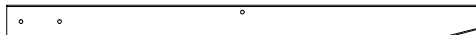
- (2) **M78 - CENTER SLIDE BRACE - W100545**
5/8"x3 3/8"x17 1/4" (16x86x438)



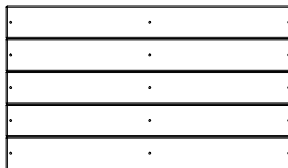
- (1) **SB74 - SWING BEAM EXTENDED - W102419**
2"x5 1/4"x89 1/2" (50x134x2274)



- (2) **SP1 - FLOOR SUPPORT CLEAT - W100711**
1"x1"x53 3/8" (24x24x1356)



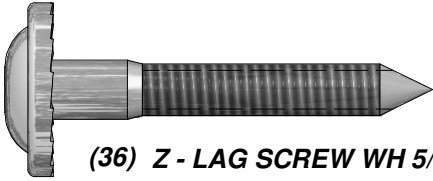
- (1) **W71 - SWING BEAM SUPPORT - W102420**
2"x3 3/8"x49 5/8" (50x86x1260)



- (3) **FP1 - FLOOR PANEL - W102861**

Parts Identification

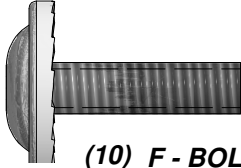
Hardware



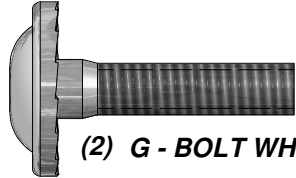
(36) Z - LAG SCREW WH 5/16x2 - H100027



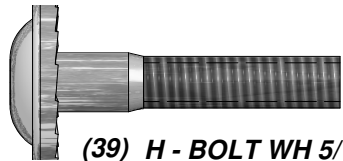
(13) AA - LAG SCREW WH 5/16x2 1/2 - H100028



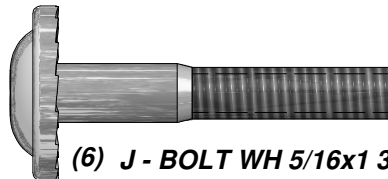
(10) F - BOLT WH 5/16x1 - H100008



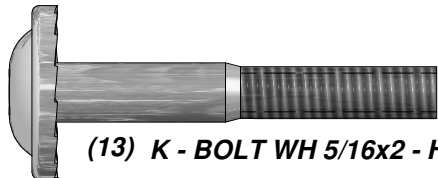
(2) G - BOLT WH 5/16x1 1/4 - H100009



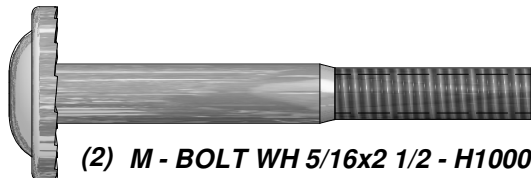
(39) H - BOLT WH 5/16x1 1/2 - H100010



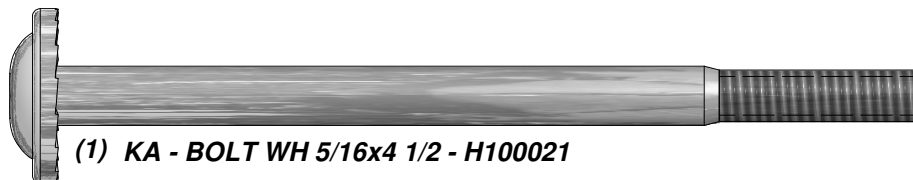
(6) J - BOLT WH 5/16x1 3/4 - H100011



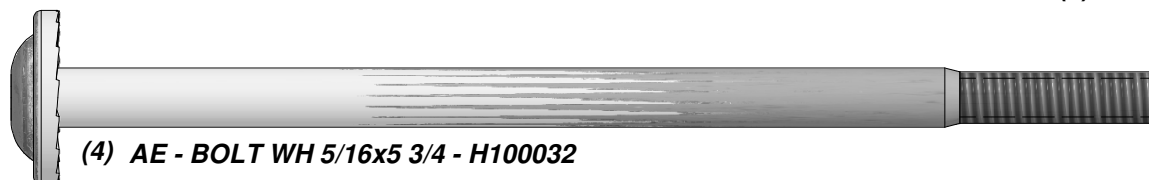
(13) K - BOLT WH 5/16x2 - H100012



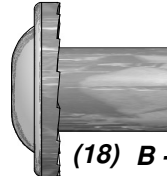
(2) M - BOLT WH 5/16x2 1/2 - H100014



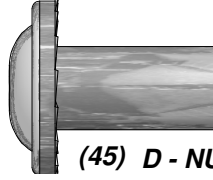
(1) KA - BOLT WH 5/16x4 1/2 - H100021



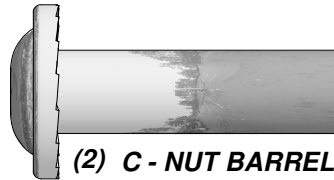
(4) AE - BOLT WH 5/16x5 3/4 - H100032



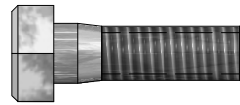
(18) B - NUT BARREL WH 5/16x5/8 - H100004



(45) D - NUT BARREL WH 5/16x7/8 - H100005



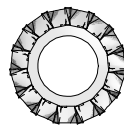
(2) C - NUT BARREL WH 5/16x1 1/2 - H100006



(4) AG - BOLT HEX 5/16x1 - H100040



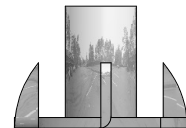
(4) AN - BOLT HEX 5/16x2-3/4 - H100047



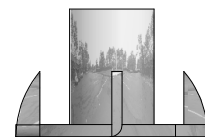
(4) KV - WASHER LOCK EXT 6x15 - H100138



(7) BE - T-NUT 1/4 - H100072



(28) BG - T-NUT 5/16 - H100074



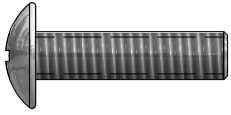
(7) BF - T-NUT 3/8 - H100073

Parts Identification

Hardware



(4) LC - LAG SCREW WH 1/4x1-1/2 - H100145



(7) AY - BOLT PTH 1/4x1 - H100061



(15) CH - SCREW TAPPING 14x1-1/2 - H100109



(61) BN - SCREW PFH 8x1 - H100085



(44) BR - SCREW PFH 8x1 1/8 - H100088



(24) BQ - SCREW PFH 8x1 1/4 - H100087



(160) BP - SCREW PFH 8x1 1/2 - H100086



(28) BS - SCREW PFH 8x1 3/4 - H100089



(17) CK - SCREW PFH 8x2 - H100111



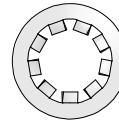
(9) BV - SCREW PFH 8x2 1/4 - H100091



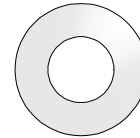
(26) BW - SCREW PFH 8x3 - H100092



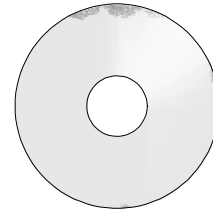
(4) BX - WASHER SPLIT 5/16 - H100095



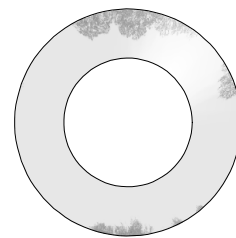
(11) CG - WASHER LOCK INT 8x15 - H100108



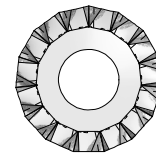
(19) CE - WASHER FLAT 9x18 - H100106



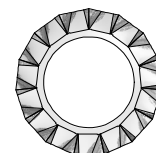
(22) CD - WASHER FLAT 8x27 - H100105



(4) CB - WASHER SAFETY 17x30 - H100103



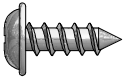
(104) AC - WASHER LOCK EXT 8x19 - H100030



(60) AD - WASHER LOCK EXT 12x19 - H100031

Parts Identification

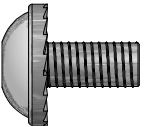
Hardware



(13) CT - SCREW TAPPING 8x1/2 - H100123



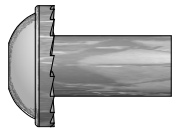
(7) CY - SCREW PWH 8x5/8 - H100128



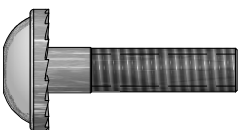
(4) KY - BOLT WH 1/4x1/2" - H100141



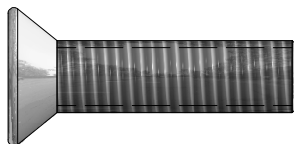
(13) CM - BOLT WH 5/16x1/2 - H100115



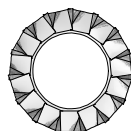
(9) KS - NUT BARREL WH 1/4x5/8 - H100136



(4) KT - BOLT WH 1/4x1 - H100137



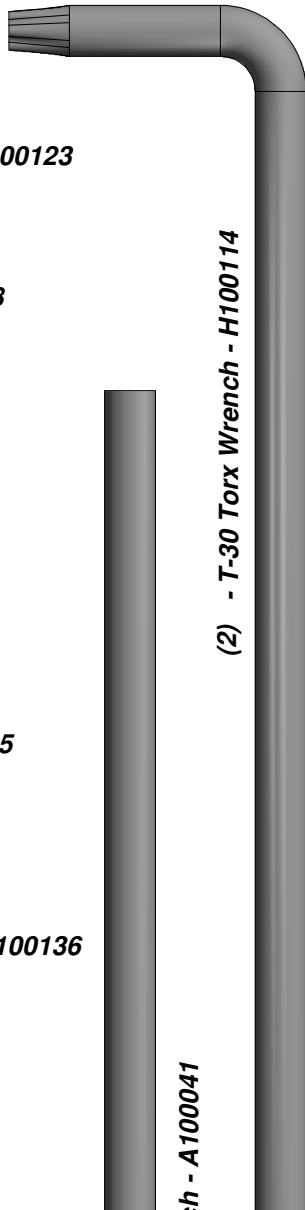
(7) A - BOLT FA 3/8x1 1/2 - H100001



(9) KW - WASHER LOCK EXT 8x15 - H100139



(15) CJ - NUT LOCK 5/16 - H100110

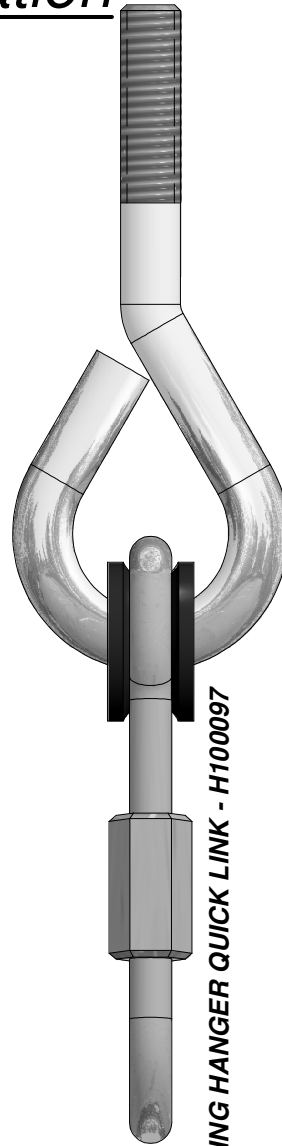


(2) - T-40 Torx Wrench - A100041

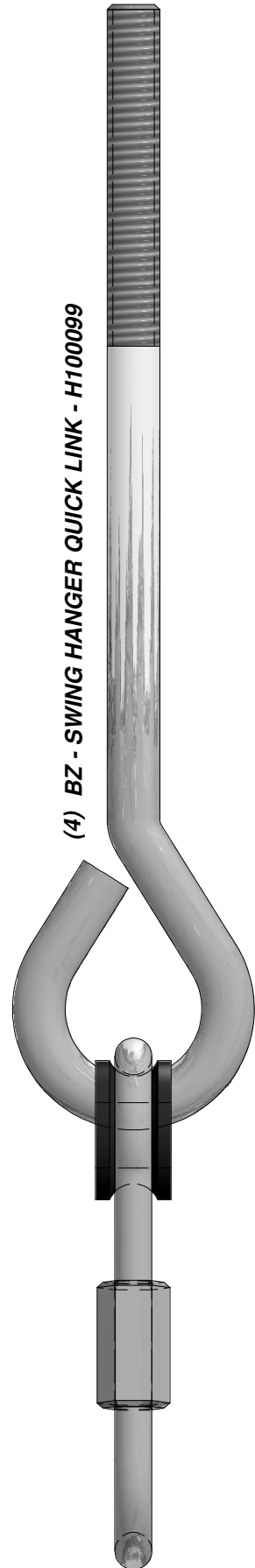
(2) - T-30 Torx Wrench - H100114



(2) - T-30 Torx Bit - H100147



(4) BY - SWING HANGER QUICK LINK - H100097



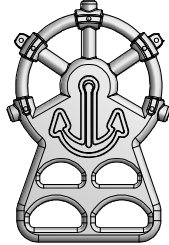
(4) BZ - SWING HANGER QUICK LINK - H100099



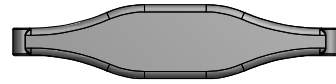
(2) - T-40 Torx Bit - A100042

Parts Identification

Accessories (NOT TO SCALE)



(2) **DO - CAPTAINS GLIDER ARM YELLOW - A100026**



(1) **DN - GLIDER SEAT DARK GREEN - A100025**



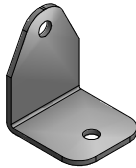
(6) **EA - HAND GRIP YELLOW PLASTIC - A100043**



(6) **EC - METAL RUNG 559 - A100045**



(6) **ER - CLIMBING ROCK GREEN SMALL - A100060**



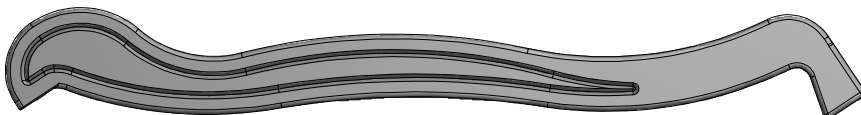
(4) **EJ - L BRACKET 54x67 - A100053**



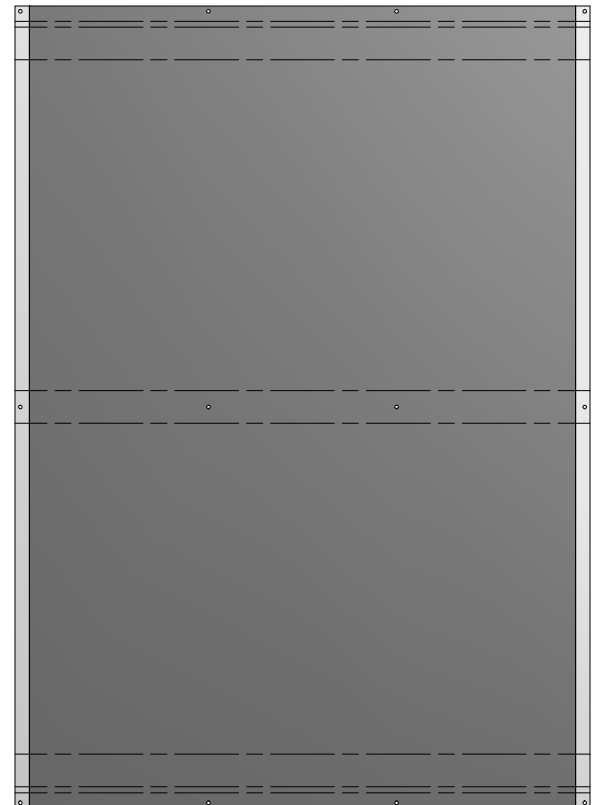
(1) **EM - SLIDE BED 8' YELLOW - A100056**



(1) **EL - SLIDE RAIL 8' GREEN LEFT - A100055**



(1) **EK - SLIDE RAIL 8' GREEN RIGHT - A100054**



(1) **HY - TARP 1522x2119 - A100062**

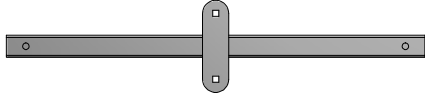
Parts Identification

Accessories

(NOT TO SCALE)



(1) HC - BYD ID TAG (LARGE) 2011 WITH AGES - A100164



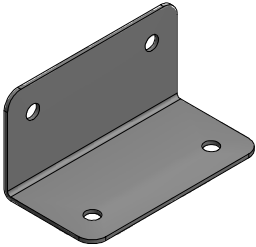
(2) EW - GLIDER SUPPORT BYD GREEN - A100065



(4) EX - GLIDER BUSHING BYD GREEN - A100066



(4) EY - TUBING CAP GLIDER SUPPORT - A100067



(2) GD - L BRACKET 66x66x127 - A100140



(2) FB - SWING SEAT YELLOW - A100070



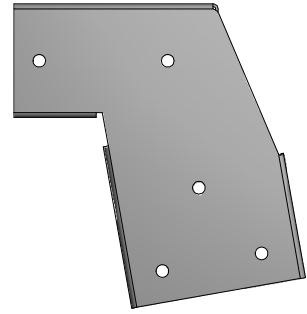
(4) EZ - CHAIN GREEN 51.25" - A100068



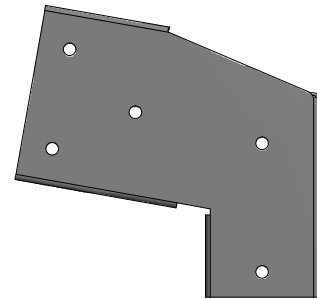
(4) JD - CHAIN GREEN 45" - A100092



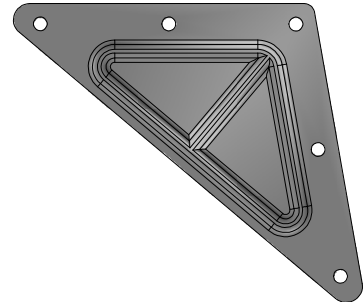
(8) KC - METAL GROUND STAKE BROWN - A100178



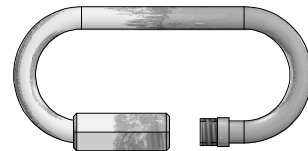
(1) TC - SWING BEAM EXTENSION BRACKET-RIGHT - A100326



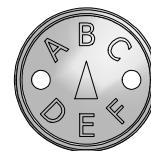
(1) TB - SWING BEAM EXTENSION BRACKET-LEFT - A100325



(2) QZ - TRIANGLE PLATE 100° 5 HOLE - A100294



(8) FA - QUICK LINK - A100069

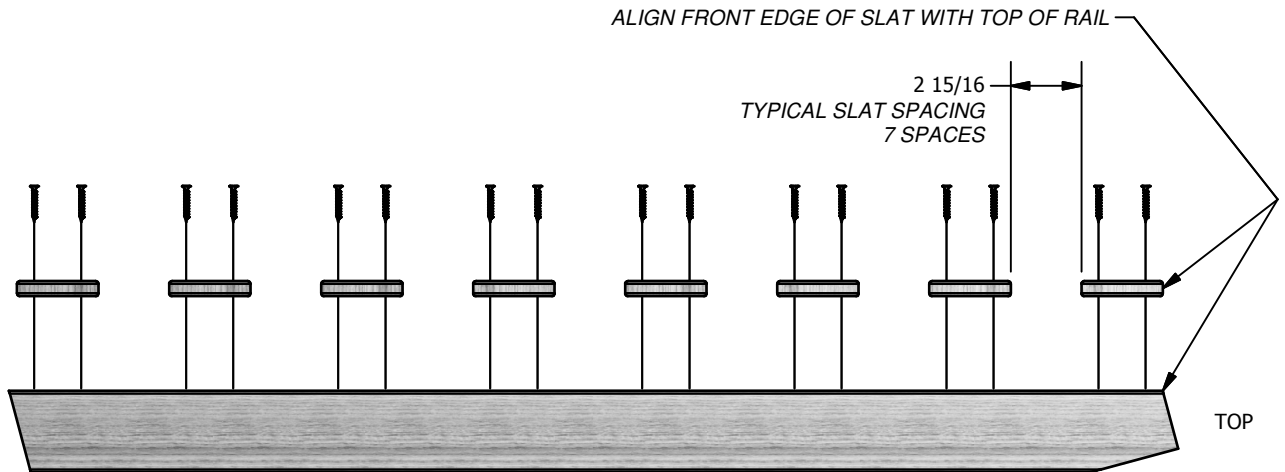
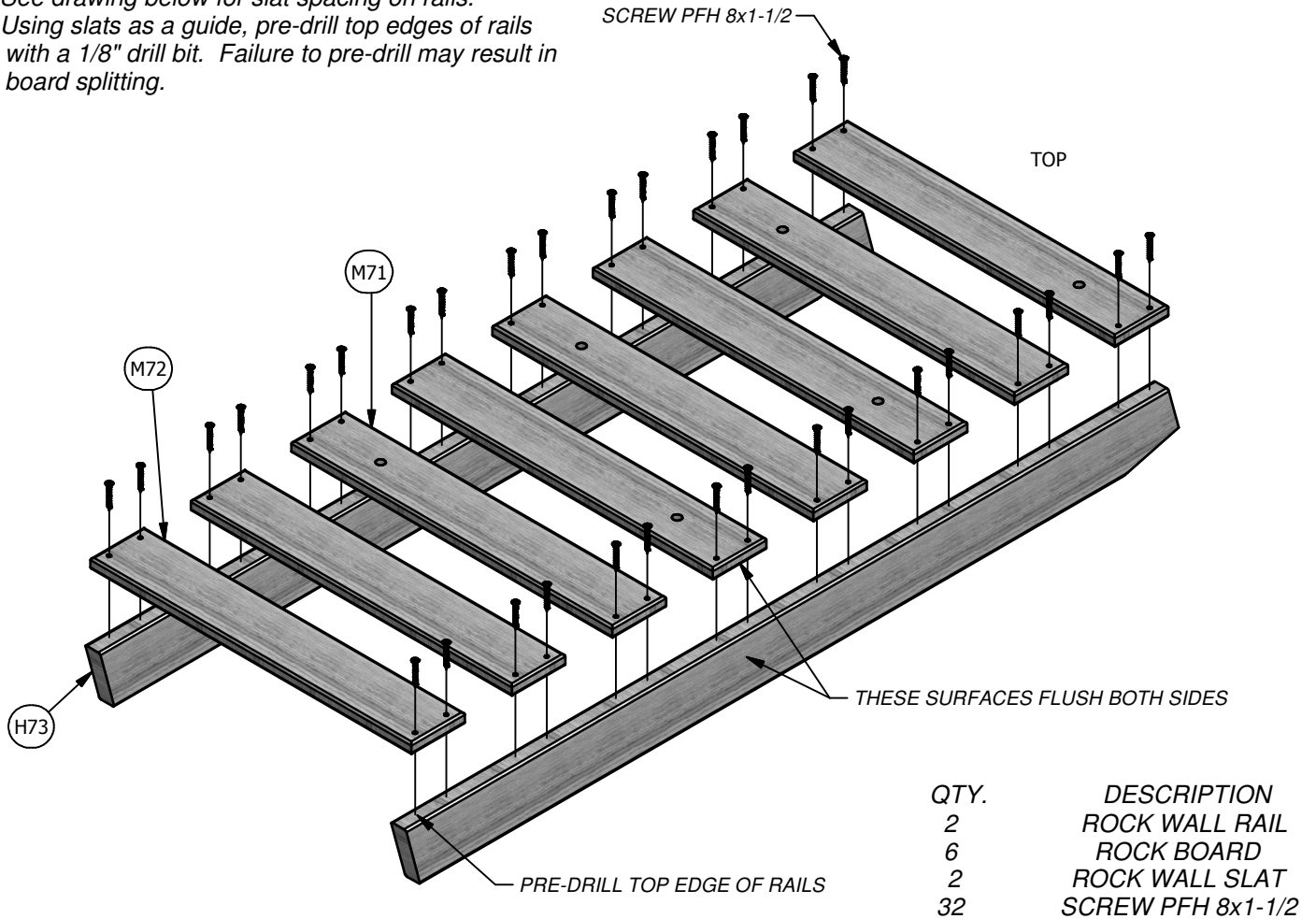


(1) SR - "B" REVISION TAG - A100315

4' Rock Ladder Phase 1

Phase Notes

- Assemble slats to rails as shown.
- Note orientation of slats, be sure to arrange as shown.
- See drawing below for slat spacing on rails.
- Using slats as a guide, pre-drill top edges of rails with a 1/8" drill bit. Failure to pre-drill may result in board splitting.

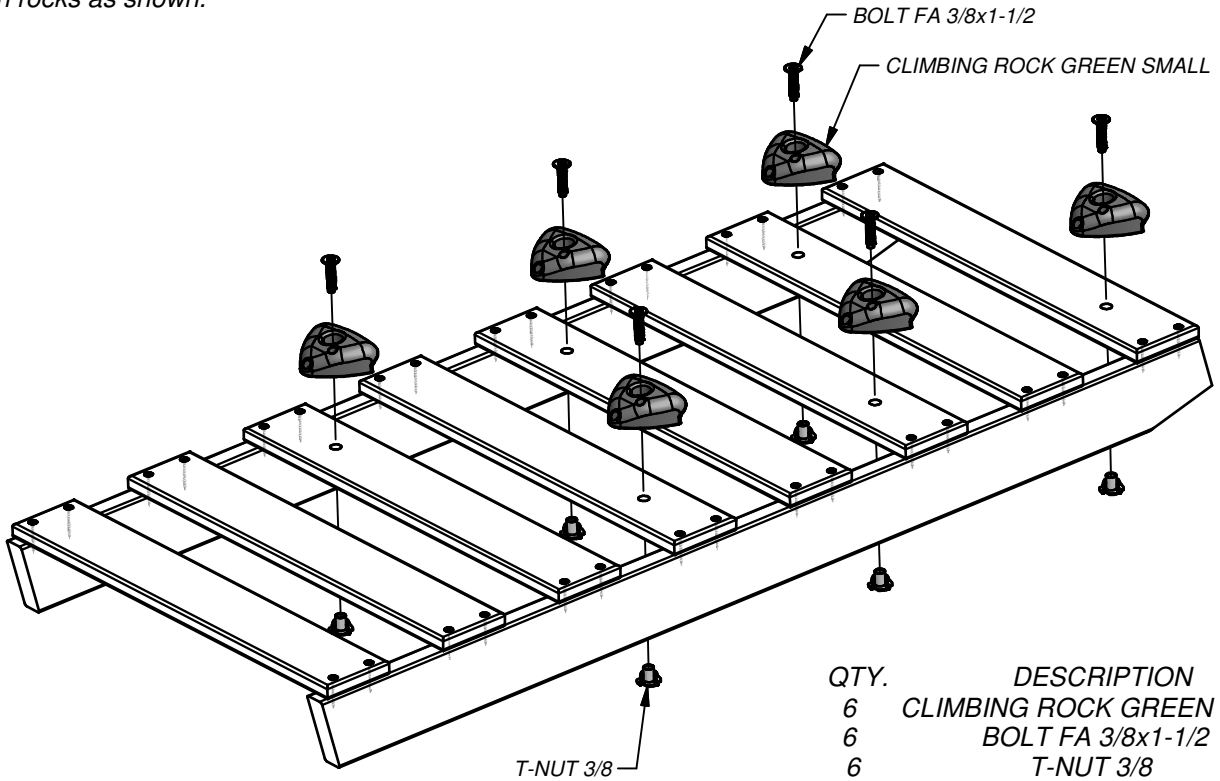


4' Rock Ladder

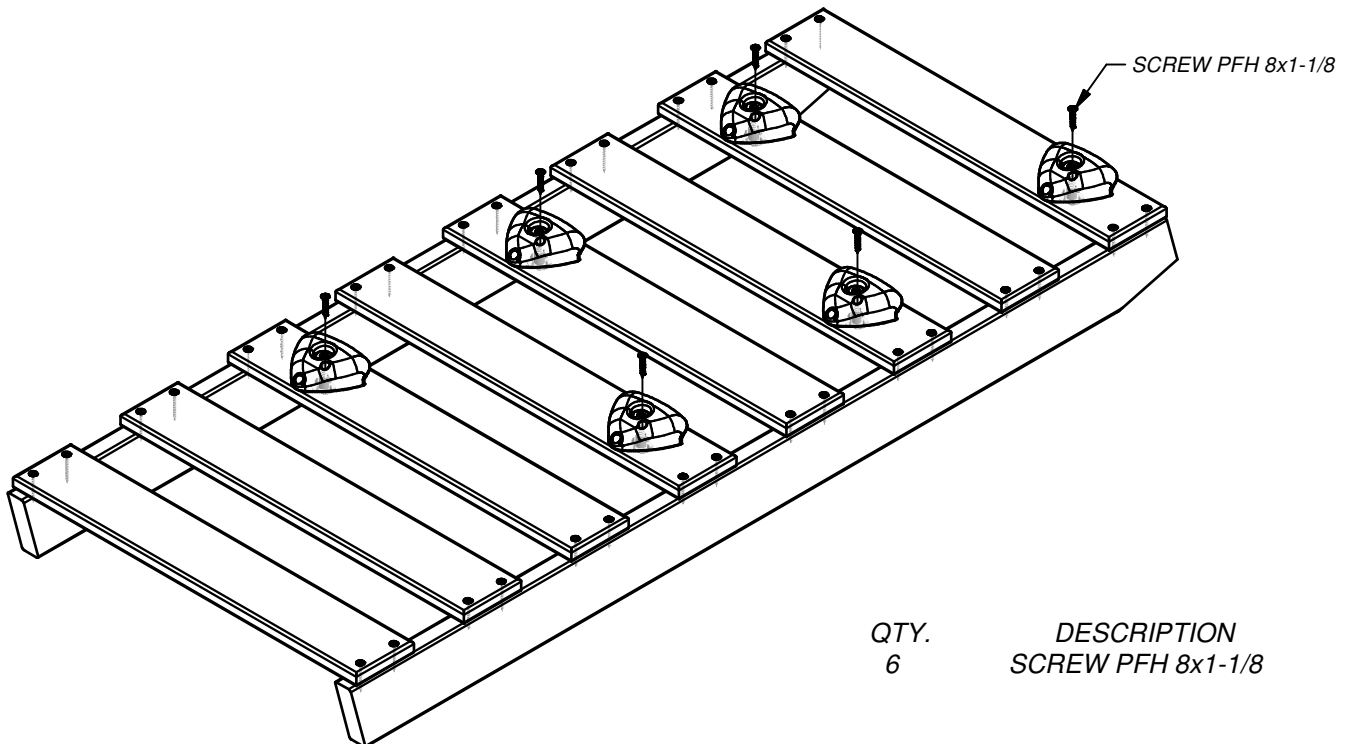
Phase 2 & 3

Phase Notes

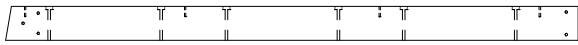
- Oreint top edge of rocks with top edge of slats.
- Fasten rocks as shown.



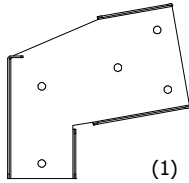
QTY.	DESCRIPTION
6	CLIMBING ROCK GREEN SMALL
6	BOLT FA 3/8x1-1/2
6	T-NUT 3/8



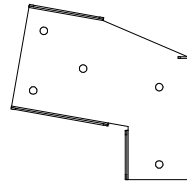
QTY.	DESCRIPTION
6	SCREW PFH 8x1-1/8



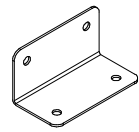
(1) **SB74 - SWING BEAM EXTENDED - W102419**
 2"x5 1/4"x89 1/2" (50x134x2274)



(1) **TC - SWING BEAM EXTENSION BRACKET-RIGHT - A100326**



(1) **TB - SWING BEAM EXTENSION BRACKET-LEFT - A100325**



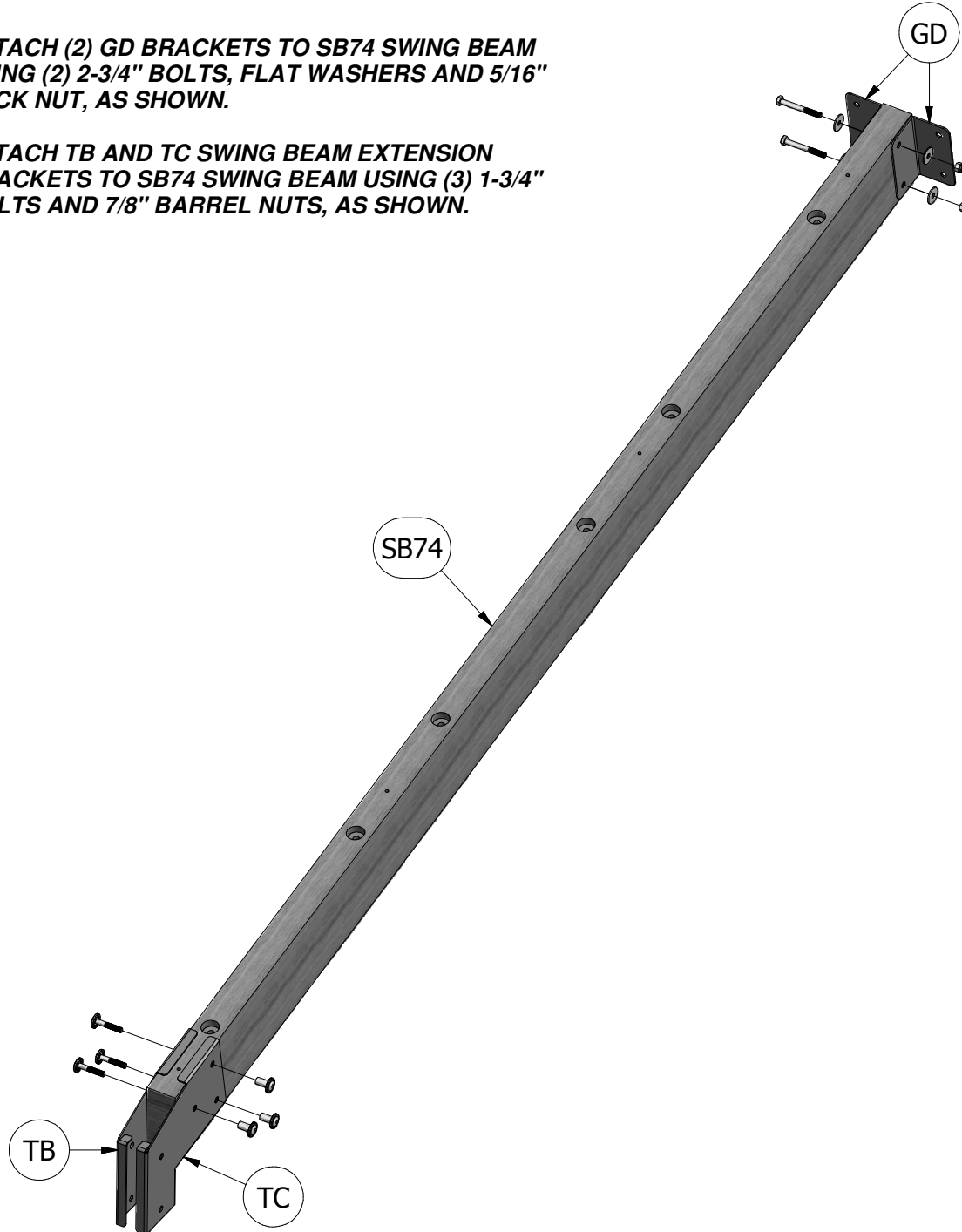
(2) **GD - L BRACKET 66x66x127 - A100140**

4 FT GREEN EXTENDED SWING BEAM WITH GLIDER

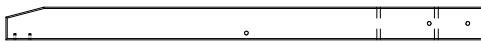
STEP 1

ATTACH (2) GD BRACKETS TO SB74 SWING BEAM USING (2) 2-3/4" BOLTS, FLAT WASHERS AND 5/16" LOCK NUT, AS SHOWN.

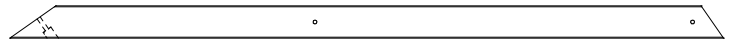
ATTACH TB AND TC SWING BEAM EXTENSION BRACKETS TO SB74 SWING BEAM USING (3) 1-3/4" BOLTS AND 7/8" BARREL NUTS, AS SHOWN.



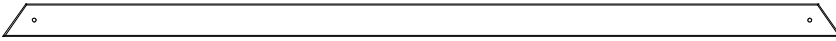
(3) BOLT WH 5/16x1-3/4	(2) BOLT HEX 5/16x2-3/4
(3) NUT BARREL WH 5/16x7/8	(4) WASHER FLAT 8x27
	(2) NUT LOCK 5/16



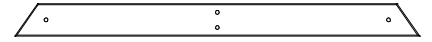
(1) **W71 - SWING BEAM SUPPORT - W102420**
2"x3 3/8"x49 5/8" (50x86x1260)



(2) **E77 - ANGLE BRACE - W100991**
1 3/8"x3 3/8"x74 3/8" (36x86x1890)



(1) **H80 - GROUND BOARD - W100990**
1"x3 3/8"x87 3/8" (24x86x2218)



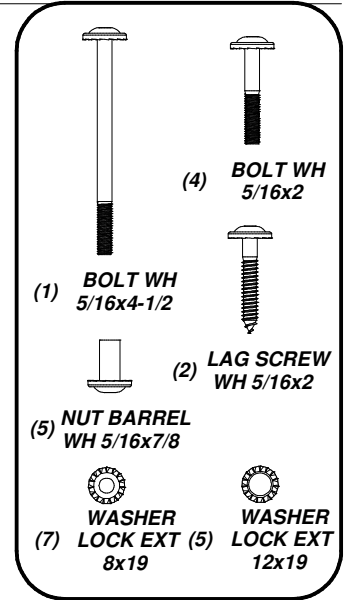
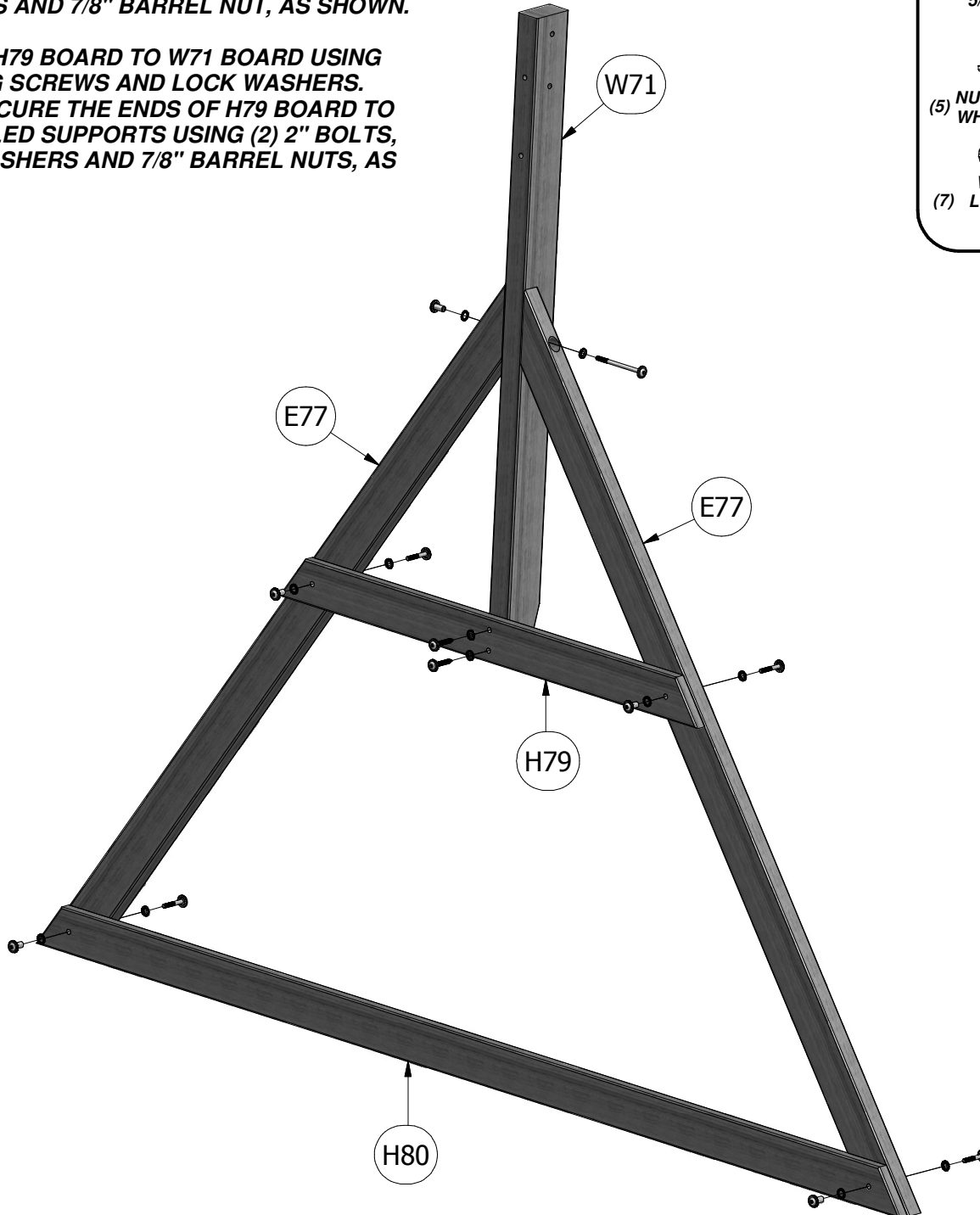
(1) **H79 - END SUPPORT - W100992**
1"x3 1/2"x42" (24x86x1072)

STEP 2

ATTACH H80 GROUND BOARD TO (2) E77 ANGLED SUPPORT BOARDS USING (2) 2" BOLTS, LOCK WASHERS AND 7/8" BARREL NUTS, AS SHOWN.

ATTACH (2) E77 ANGLED SUPPORT BOARDS TO W71 SUPPORT USING 4- 1/2" BOLT, LOCK WASHERS AND 7/8" BARREL NUT, AS SHOWN.

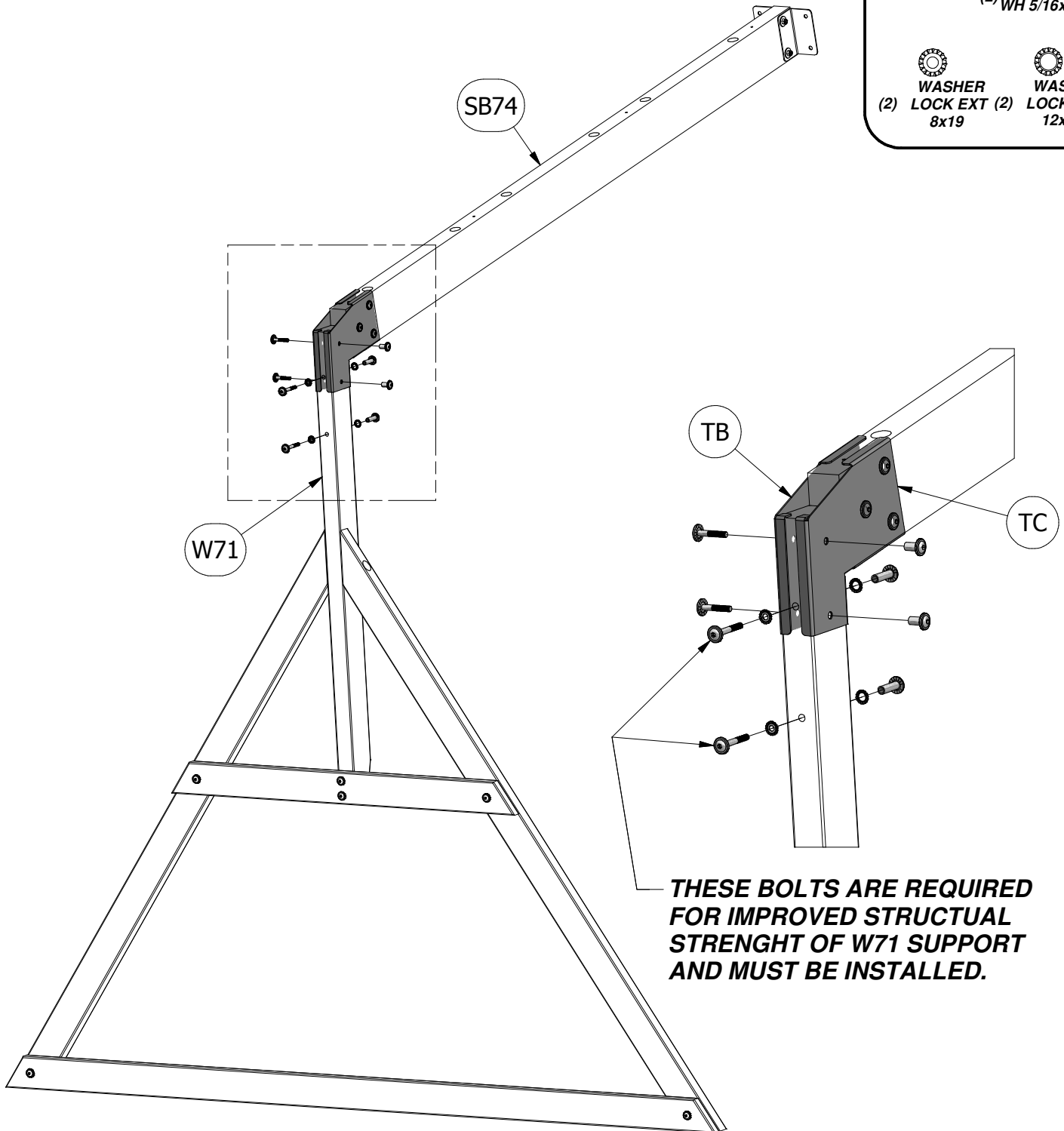
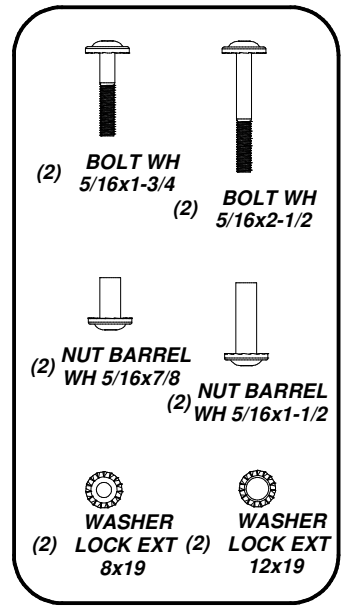
ATTACH H79 BOARD TO W71 BOARD USING (2) 2" LAG SCREWS AND LOCK WASHERS. NEXT, SECURE THE ENDS OF H79 BOARD TO E77 ANGLED SUPPORTS USING (2) 2" BOLTS, LOCK WASHERS AND 7/8" BARREL NUTS, AS SHOWN.

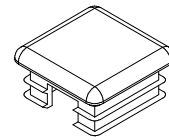
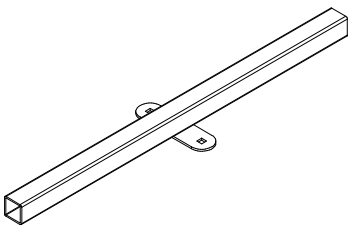


STEP 3

INSERT W71 BOARD INTO TB AND TC BRACKET OPENING AND SECURE USING (2) 1-3/4" BOLTS AND 7/8" BARREL NUTS, AS SHOWN.

INSERT (2) 2-1/2" BOLTS, LOCK WASHERS AND 1-1/2" BARREL NUTS INTO THE EDGE OF W71 BOARD, AS SHOWN.





(4) EX - GLIDER BUSHING BYD GREEN - A100066

(4) EY - TUBING CAP GLIDER SUPPORT - A100067

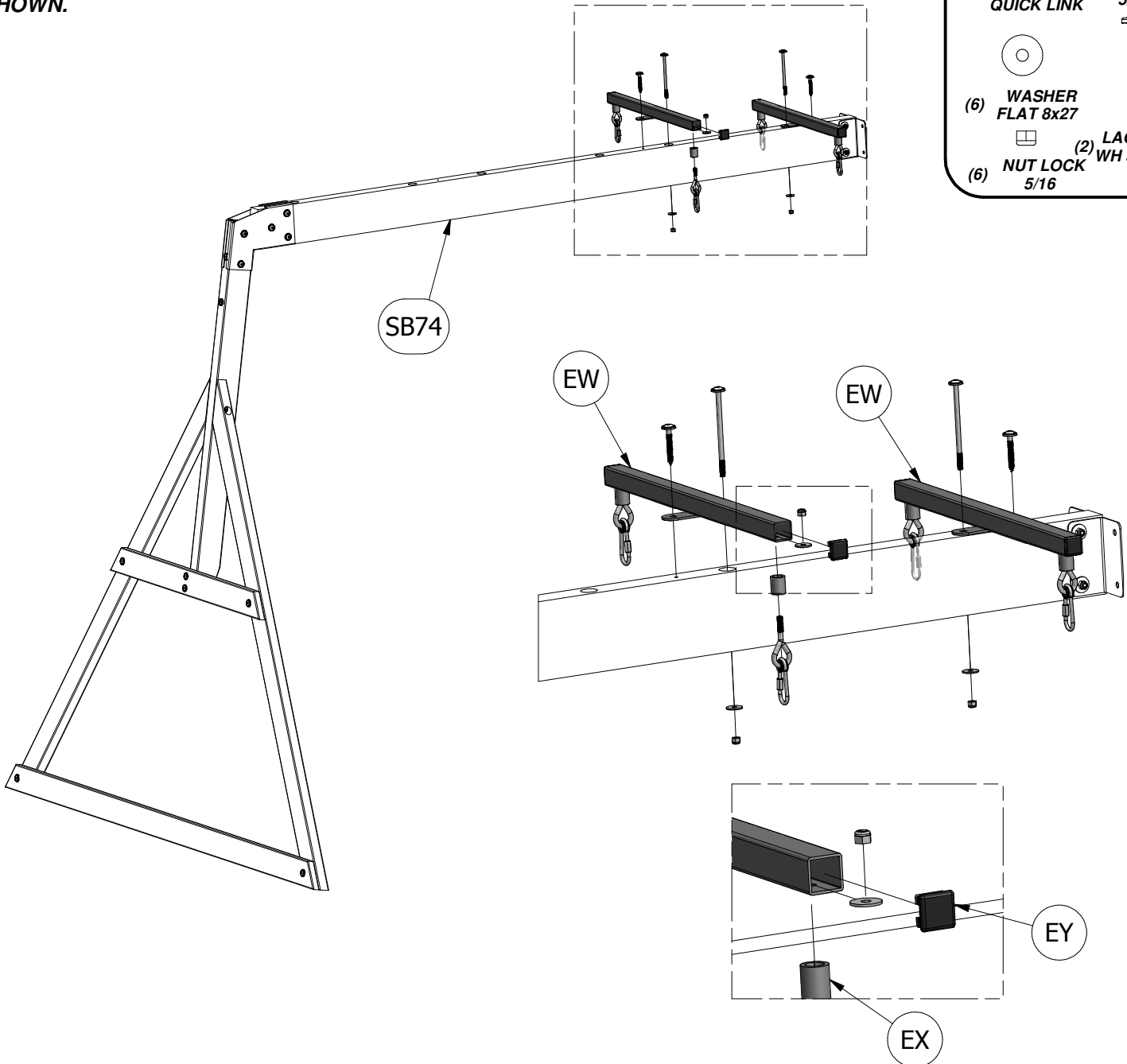
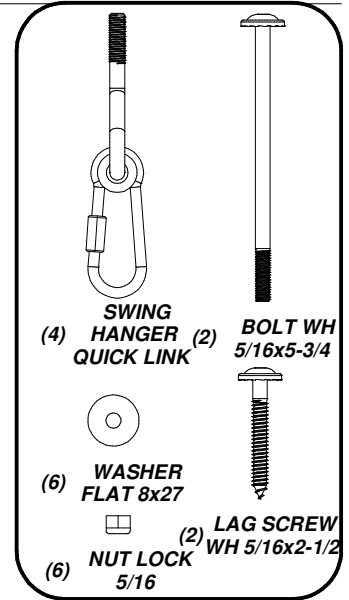
(2) EW - GLIDER SUPPORT BYD GREEN - A100065

STEP 4

ATTACH (2) EW GLIDER SUPPORT BARS TO SB74 SWING BEAM USING (2) 5-3/4" BOLTS, FLAT WASHERS AND 5/16" LOCK NUTS AND (2) 2-1/2" LAG SCREWS, AS SHOWN.

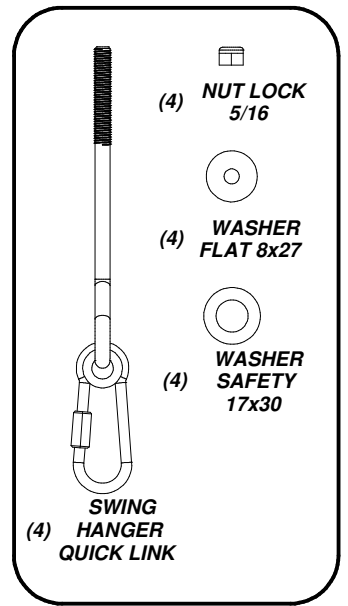
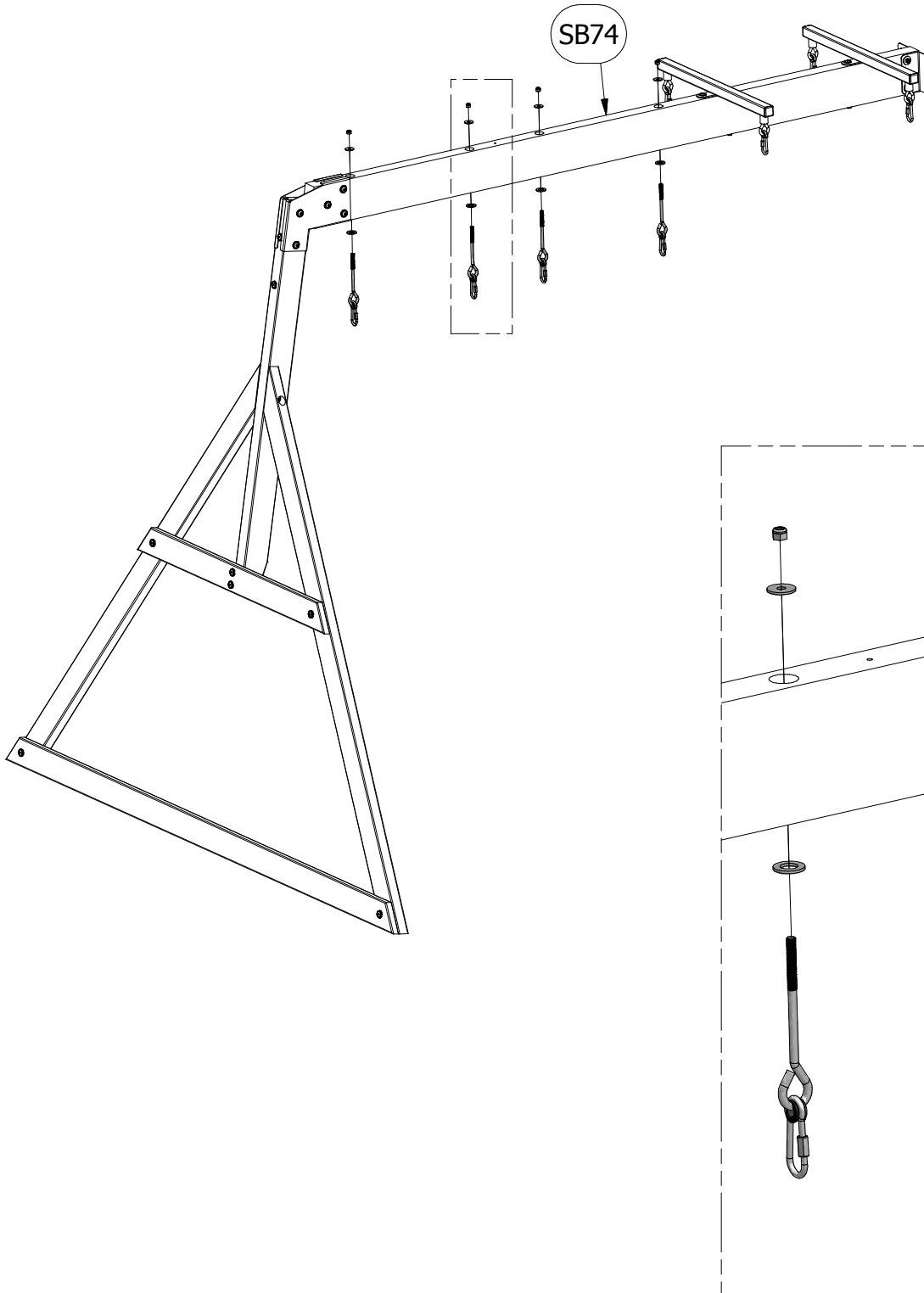
INSERT (4) SWING HANGER QUICK LINKS INTO (4) EX BUSHINGS AND THEN ATTACH SWING HANGER QUICK LINKS TO EW GLIDER SUPPORTS USING (4) FLAT WASHERS AND 5/16" LOCK NUTS, AS SHOWN.

INSERT (4) EY GLIDER SUPPORT CAPS INTO THE ENDS OF EW GLIDER SUPPORTS, AS SHOWN.



STEP 5

INSERT (4) SWING HANGER QUICK LINK INTO SB74 SWING BEAM USING (4) SAFETY WASHERS, FLAT WASHERS AND 5/16" LOCK NUTS, AS SHOWN.

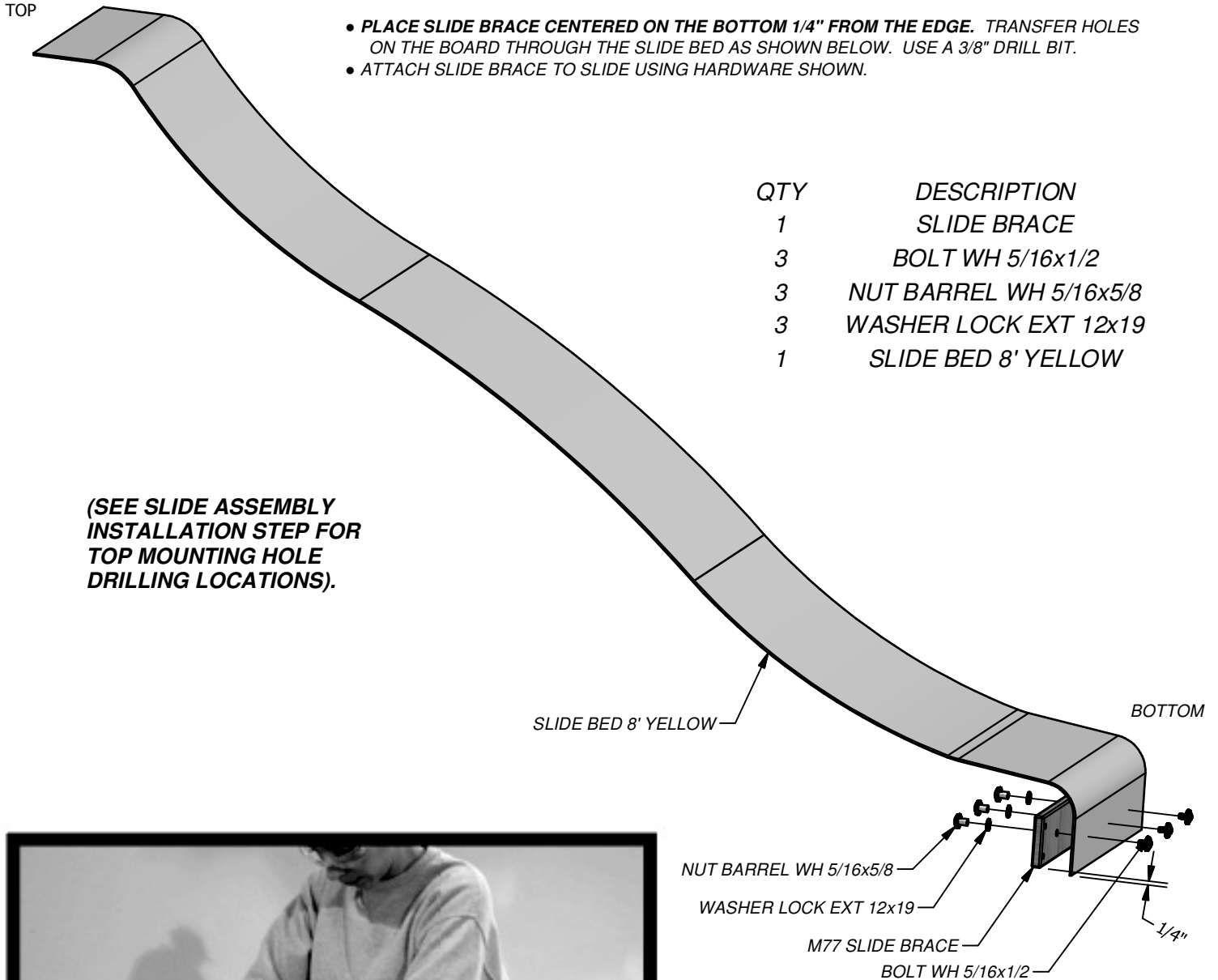


8 FOOT SLIDE ASSEMBLY

PHASE 1

STEP 1

- **PLACE SLIDE BRACE CENTERED ON THE BOTTOM 1/4" FROM THE EDGE.** TRANSFER HOLES ON THE BOARD THROUGH THE SLIDE BED AS SHOWN BELOW. USE A 3/8" DRILL BIT.
- **ATTACH SLIDE BRACE TO SLIDE USING HARDWARE SHOWN.**



(SEE SLIDE ASSEMBLY INSTALLATION STEP FOR TOP MOUNTING HOLE DRILLING LOCATIONS).



USE M77 SLIDE BRACE AS A TEMPLATE FOR DRILLING BOTTOM HOLE PATTERN IN SLIDE BED. BE SURE TO PLACE SLIDE BRACE UP 1/4" FROM BOTTOM EDGE OF SLIDE BED BEFORE MARKING HOLE PATTERN.

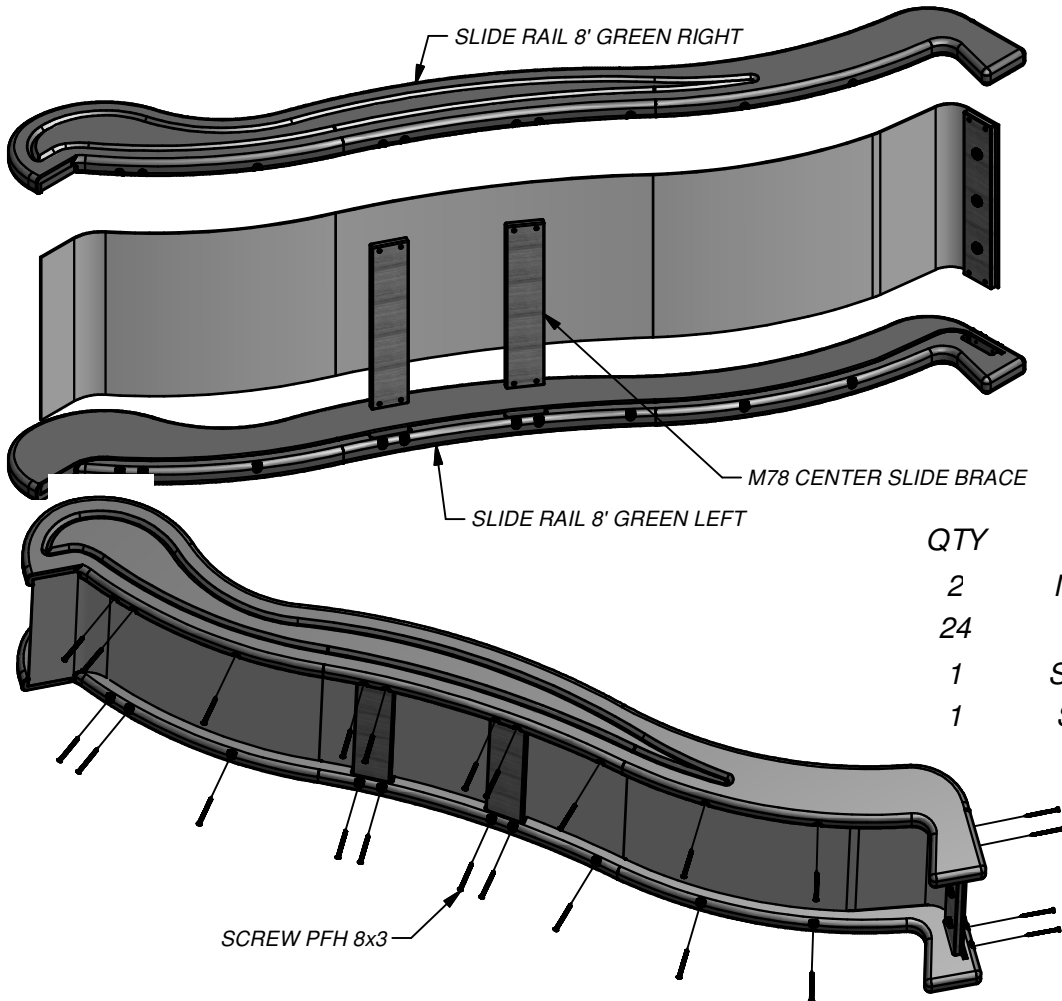
TIP: PREBENDING THE ENDS WILL EASE ASSEMBLY.

8 FOOT SLIDE ASSEMBLY

PHASE 2

STEP 2

- PLACE 1 SLIDE RAIL ON A FLAT SURFACE AND BEGIN INSERTING SLIDE BED AT THE BOTTOM OF THE SLIDE RAIL (FIG. 1). PUT SLIDE SUPPORT BOTTOM INTO THE SUPPORT POCKET AT THE BOTTOM OF THE RAIL AND HAVE A HELPER BEND THE SLIDE BED TOWARDS THE TOP OF THE SLIDE AND INSERT THE BED INTO THE SLIDE CAVITY. MAKE SURE SLIDE BED IS COMPLETELY DOWN IN THE SLIDE CAVITY. SECURE USING (12) 3" WOOD SCREWS AT EACH OF THE PILOT HOLE LOCATIONS AS SHOWN BELOW.
- PLACE THE OTHER SLIDE RAIL ON A FLAT SURFACE WITH THE SLIDE CAVITY UP. HAVE A HELPER HOLD THE TOP END OF SLIDE BED AND BEGIN INSERTING THE SLIDE BED AND SLIDE BRACES INTO THE CAVITY AND SUPPORT POCKETS STARTING AT THE BOTTOM OF SLIDE AND WORKING UP TO THE TOP (FIG. 2). SECURE USING (12) 3" WOOD SCREWS AT EACH OF THE PILOT HOLE LOCATIONS AS SHOWN BELOW.



NOTE:

MAKE CERTAIN SUPPORTS AND SLIDE BED ARE FULLY ENGAGED WITHIN CHANNEL OF SLIDE RAILS.

QTY	DESCRIPTION
2	M78 CENTER SLIDE BRACE
24	SCREW PFH 8x3
1	SLIDE RAIL 8' GREEN RIGHT
1	SLIDE RAIL 8' GREEN LEFT

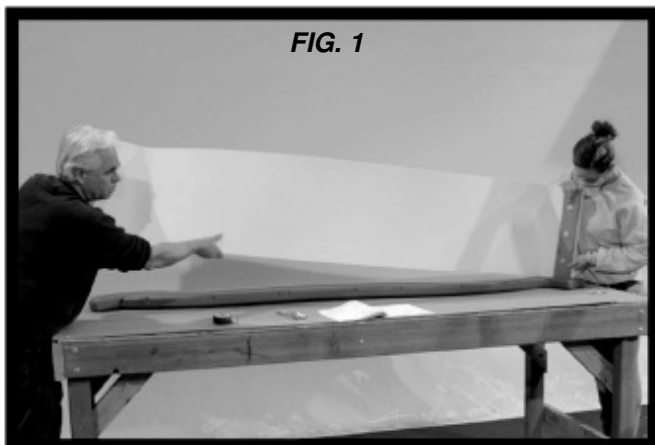


FIG. 1

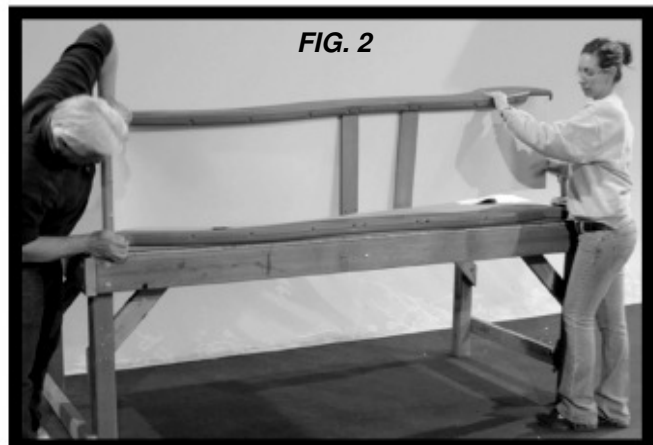


FIG. 2

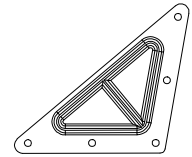
TIP: A HELPER IS REQUIRED FOR THIS PHASE.



(2) E71 - MONKEY BAR RAIL - W102369
1 3/8"x3 3/8"x60 5/8" (36x86x1539)



(2) EJ - L BRACKET 54x67 - A100053



(2) QZ - TRIANGLE PLATE 100 5 HOLE - A100294

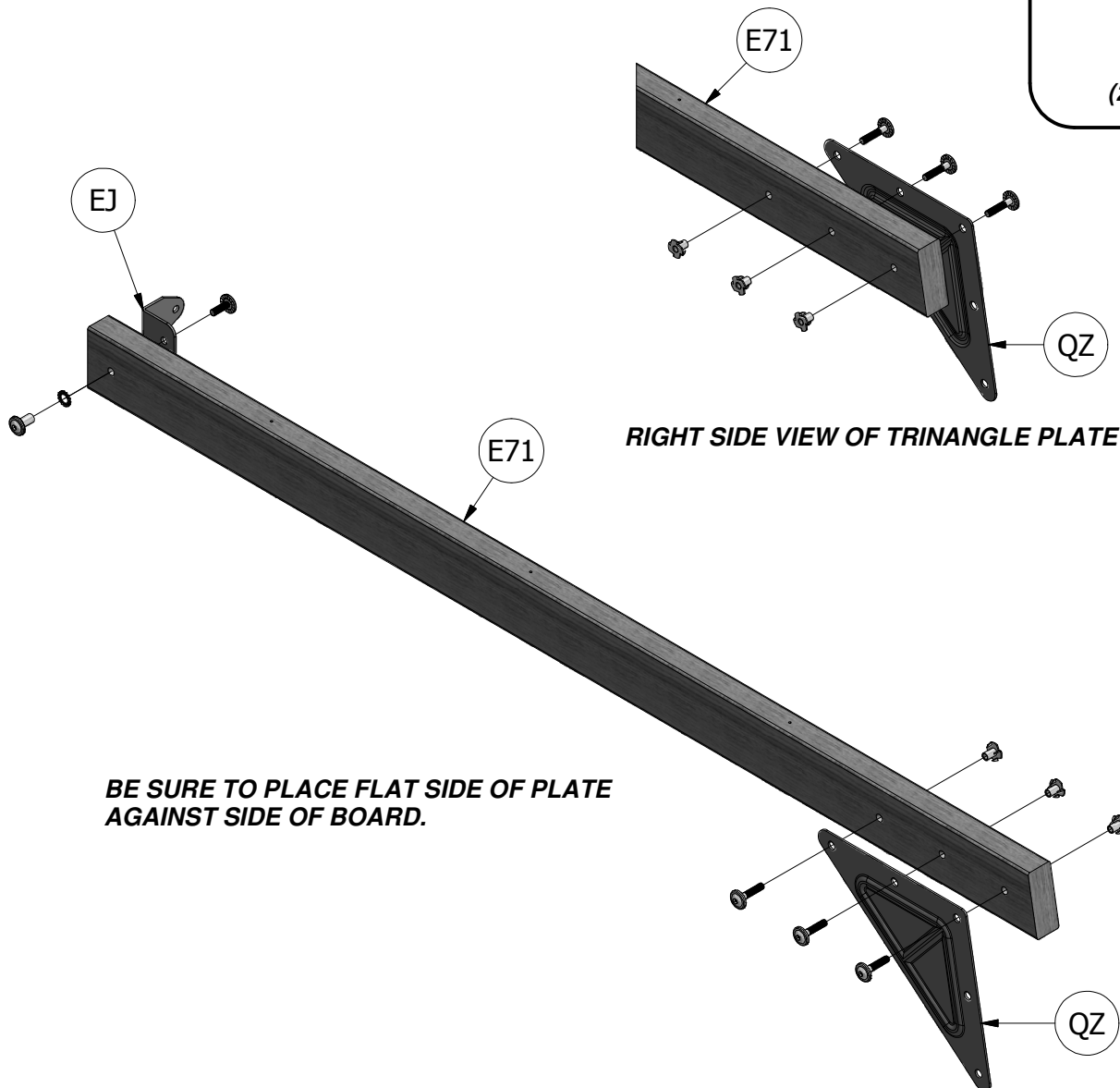
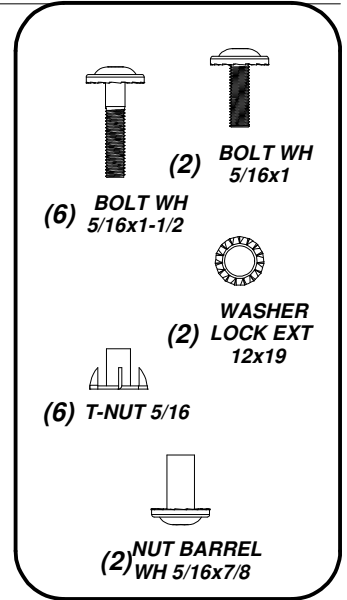
MONKEY BAR ASSEMBLY

STEP 1

YOU WILL BUILD A LEFT AND RIGHT TOP RAIL IN THIS STEP.

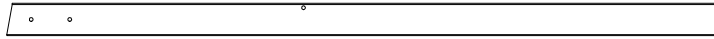
AFTER BUILDING LEFT ASSEMBLY AS SHOWN, REPEAT STEPS FOR A RIGHT ASSEMBLY. SEE BELOW FOR ORIENTATION OF RIGHT SIDE TRIANGLE PLATE.

ASSEMBLE WITH HARDWARE AS SHOWN.



RIGHT SIDE VIEW OF TRINANGLE PLATE

BE SURE TO PLACE FLAT SIDE OF PLATE AGAINST SIDE OF BOARD.



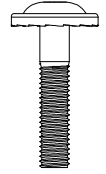
(2) **E78 - MONKEY BAR UPRIGHT - W102370**
1 3/8"x3 3/8"x74 3/4" (36x86x1900)

MONKEY BAR ASSEMBLY

STEP 2

ASSEMBLE WITH HARDWARE AS SHOWN.

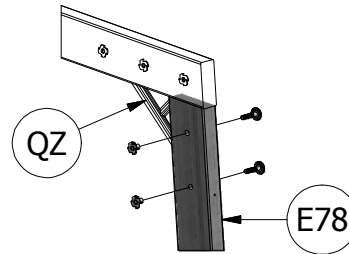
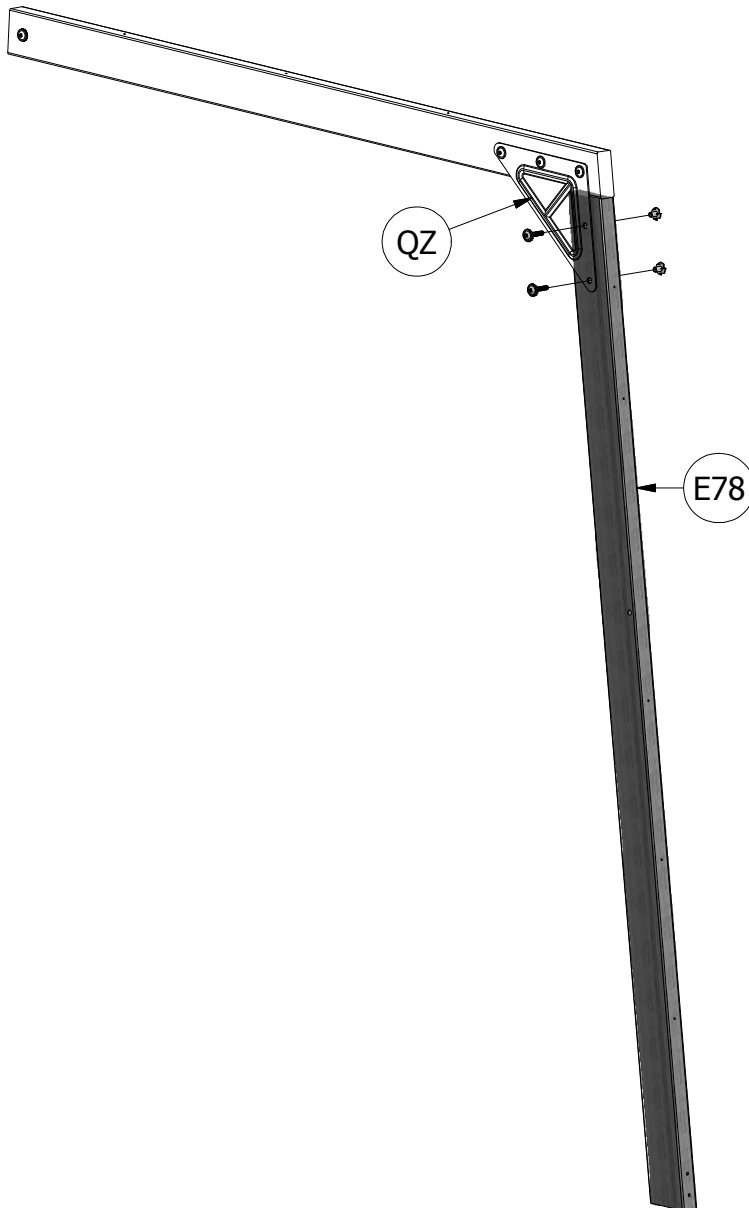
REPEAT PROCESS FOR OTHER SIDE OF MONKEY BAR ASSEMBLY.

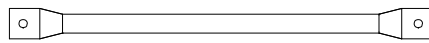


(4) **BOLT WH**
5/16x1-1/2



(4) **T-NUT 5/16**



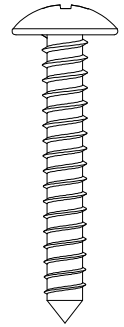
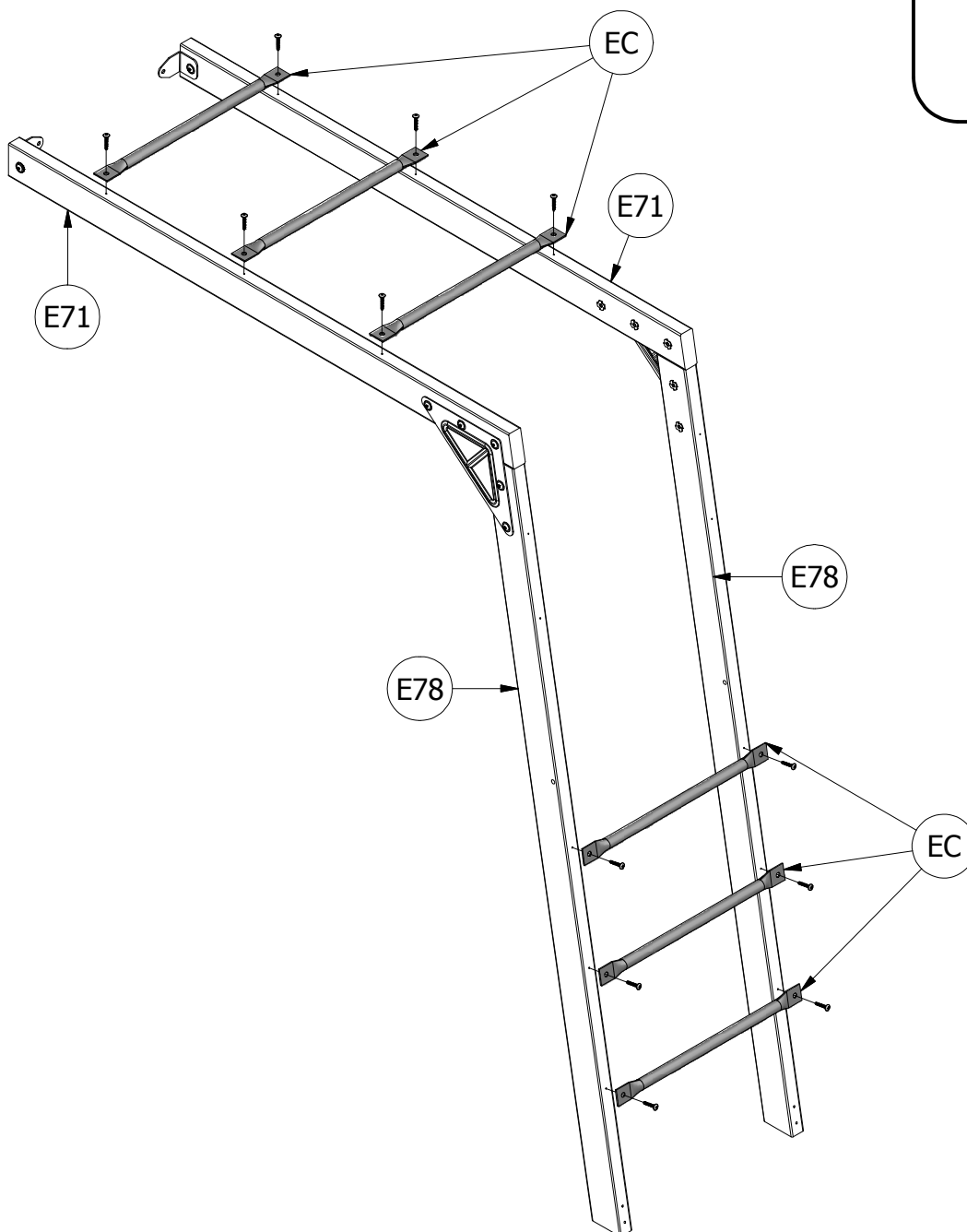


(6) EC - METAL RUNG 559 - A100045

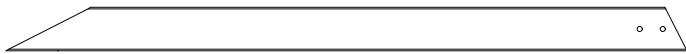
MONKEY BAR ASSEMBLY

STEP 3

ASSEMBLE AS SHOWN INTO PRE-DRILLED HOLES.



SCREW
TAPPING
(12)
14x1-1/2

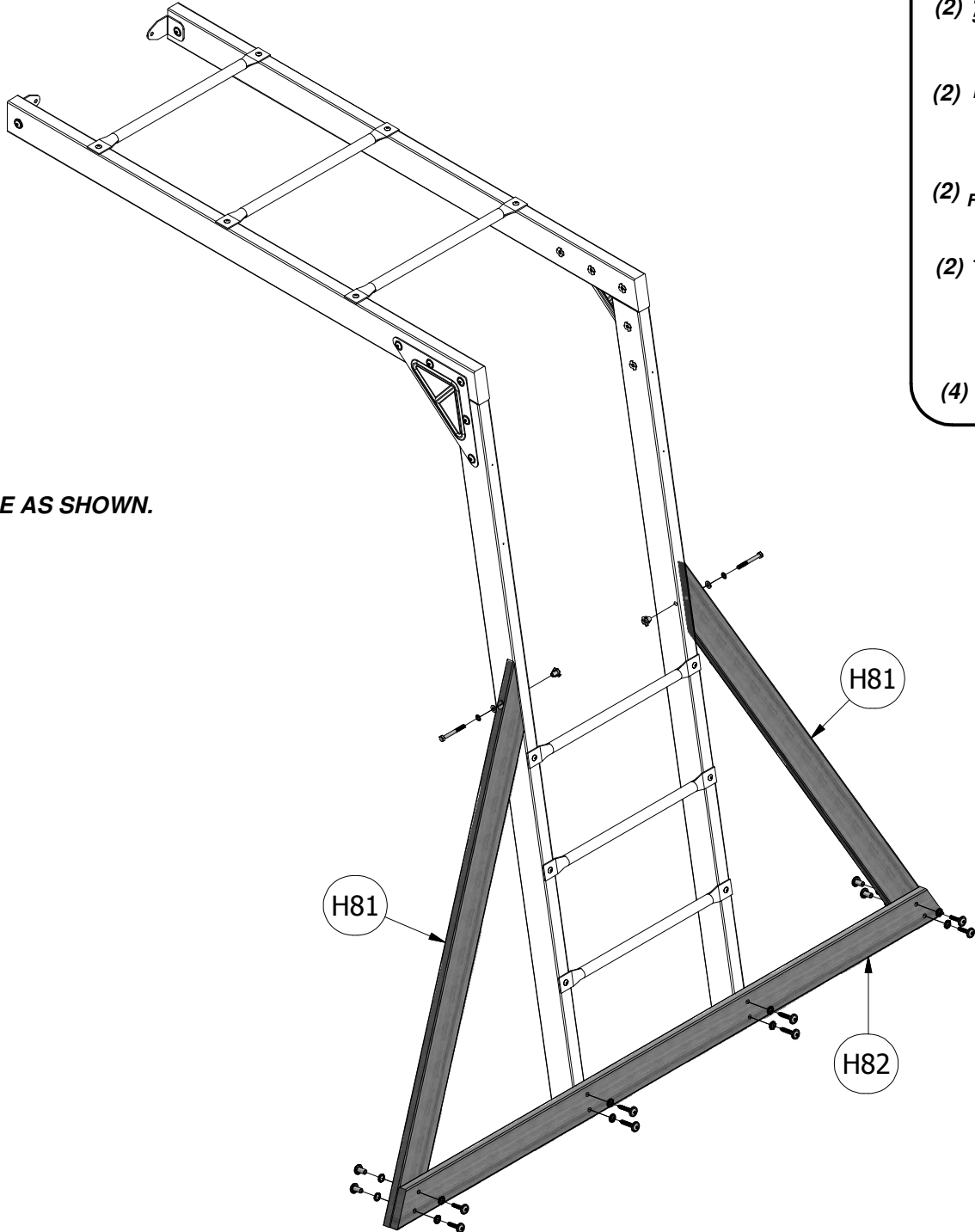


(2) **H81 - MONKEY BAR BRACE - W100993**
1"x3 3/8"x53 1/4" (24x86x1352)



(1) **H82 - MONKEY BAR GROUND BOARD - W100994**
1"x3 3/8"x70 3/8" (24x86x1786)

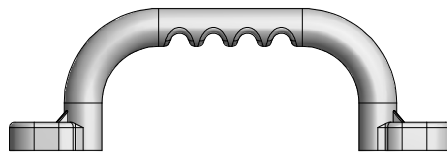
MONKEY BAR ASSEMBLY



(2) BOLT HEX 5/16x2-3/4	(4) LAG SCREW WH 5/16x2
(2) WASHER LOCK INT 8x15	(8) WASHER LOCK EXT 8x19
(2) WASHER FLAT 9x18	(4) WASHER LOCK EXT 12x19
(2) T-NUT 5/16	(4) NUT BARREL WH 5/16x7/8
(4) BOLT WH 5/16x1-1/2	

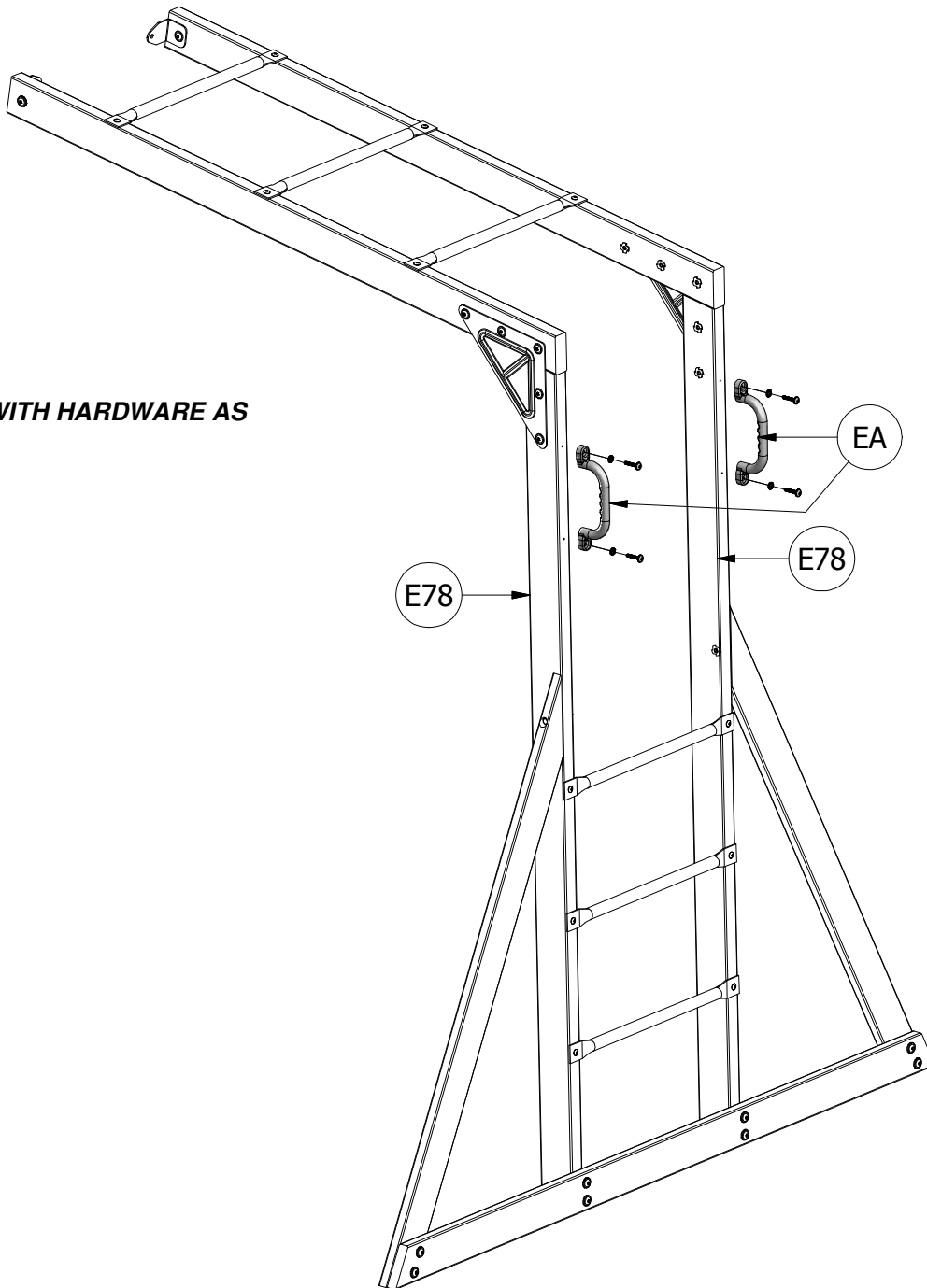
STEP 4

ASSEMBLE AS SHOWN.



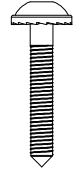
(2) EA - HAND GRIP YELLOW PLASTIC - A100043

MONKEY BAR ASSEMBLY



STEP 5

ASSEMBLE WITH HARDWARE AS SHOWN.



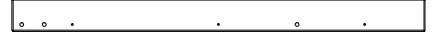
(4) LAG SCREW
WH 1/4x1-1/2



WASHER
(4) LOCK EXT
6x15



(2) **E2 - UPRIGHT - W103773**
1 3/8"x3 3/8"x81 3/4" (36x86x2076)

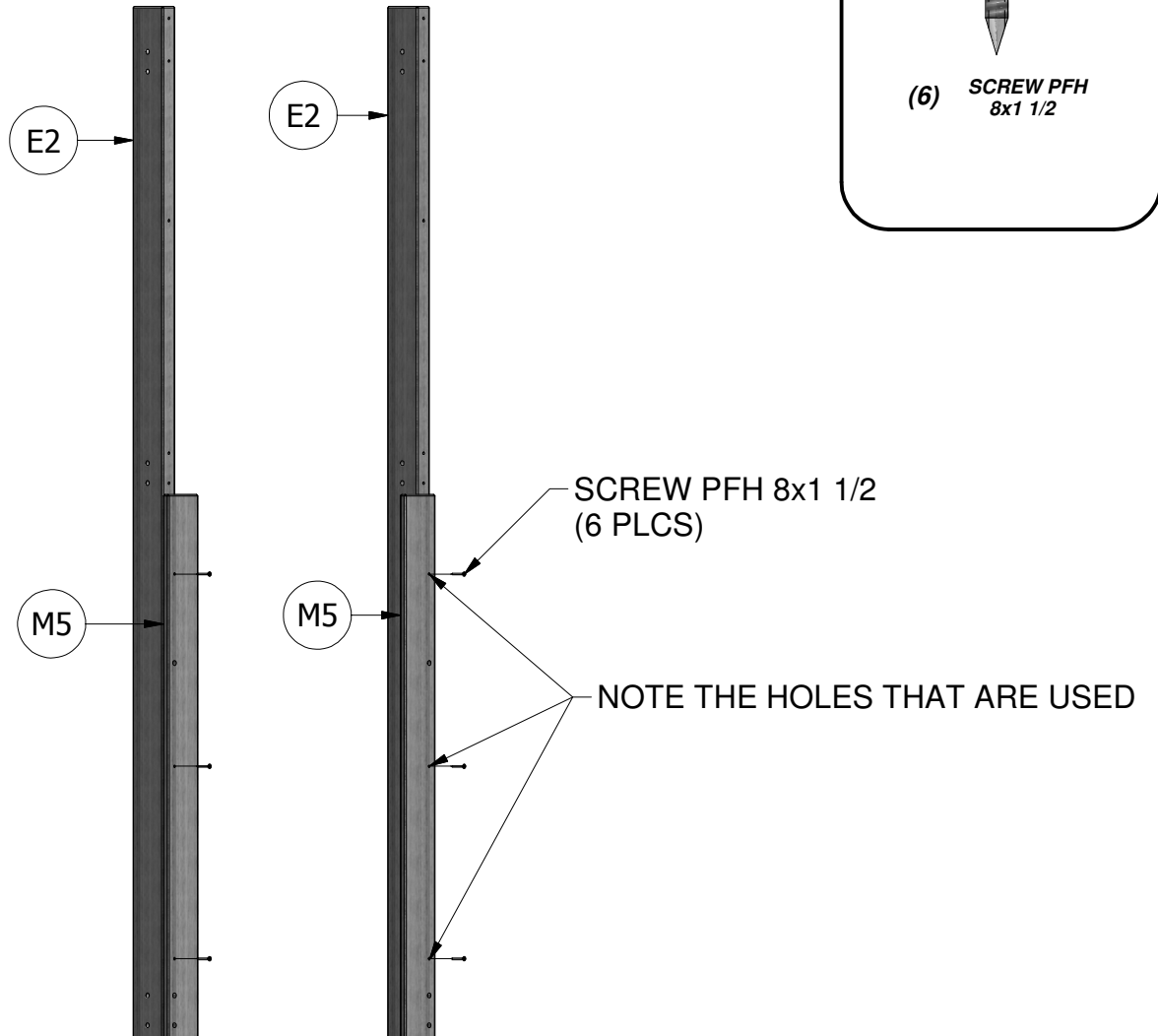
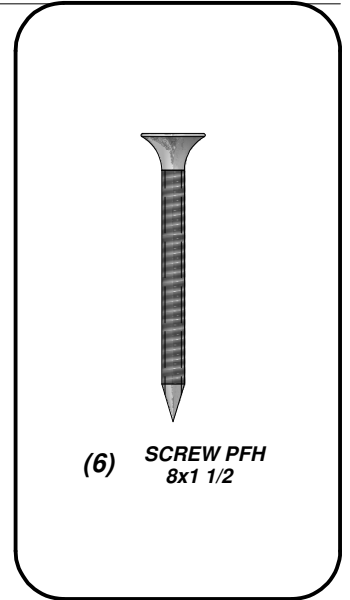


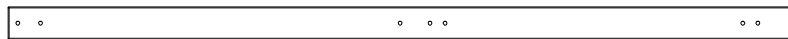
(2) **M5 - FACE BOARD - W101599**
5/8"x3 3/8"x43 1/8" (16x86x1094)

STEP 1

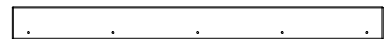
ATTACH M5 BOARDS TO E2 BOARDS USING HARDWARE AS SHOWN THROUGH PRE DRILLED HOLES.

NOTE THE ORIENTATION OF THE HOLES WITH THE E2 BOARDS.





(1) **E3 - UPRIGHT - W101256**
1 3/8"x3 3/8"x81 3/4" (36x86x2076)



(2) **M6 - LOWER FACE BOARD - W101598**
5/8"x3 3/8"x38 5/8" (16x86x982)



(1) **E1 - UPRIGHT - W101261**
1 3/8"x3 3/8"x81 3/4" (36x86x2076)

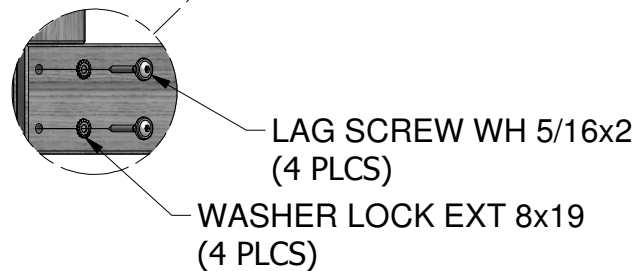
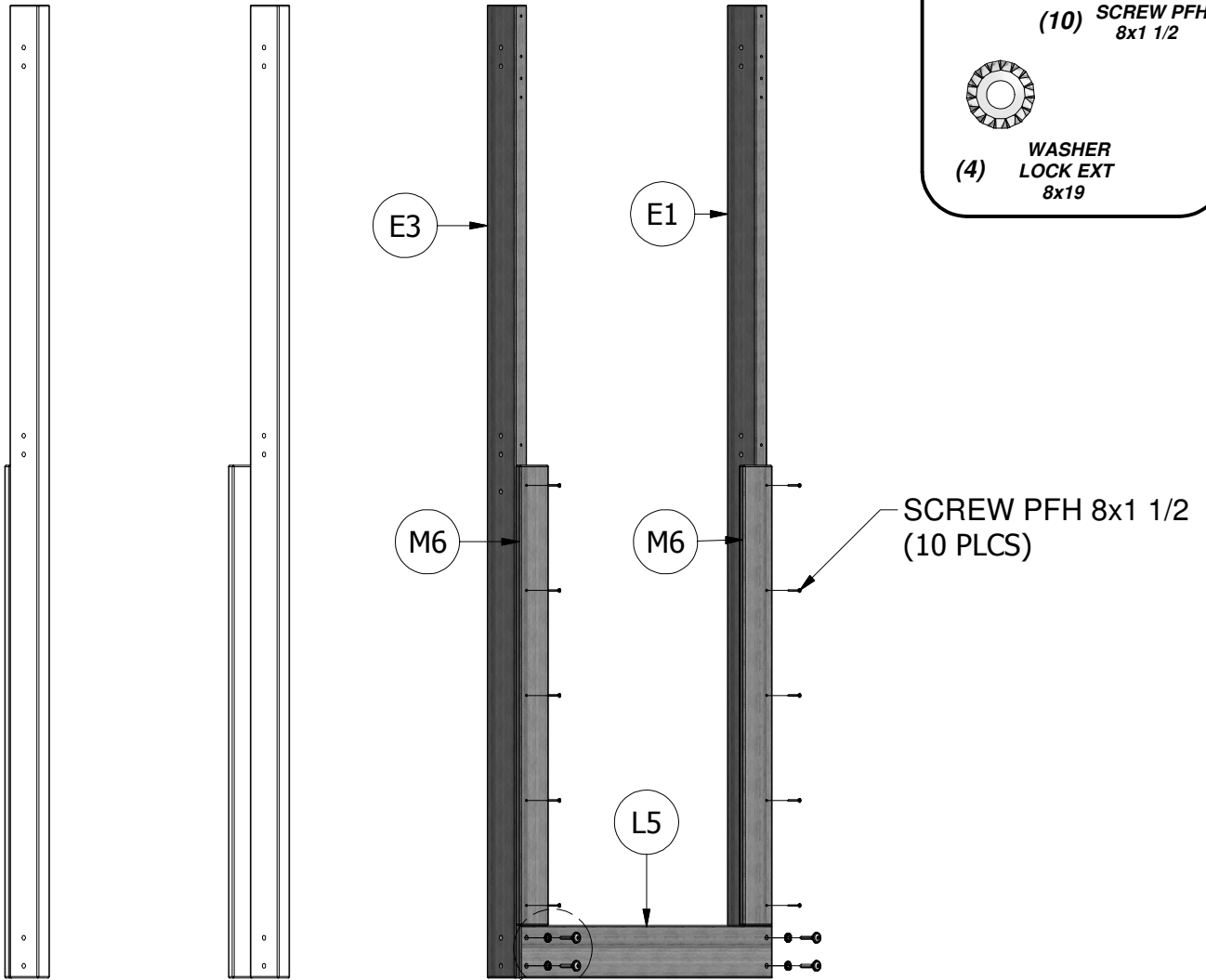
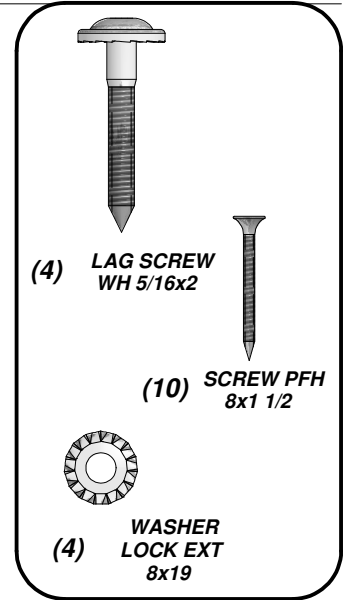


(1) **L5 - GROUND BOARD - W100686**
5/8"x4 3/8"x30" (16x112x762)

STEP 2

ATTACH THE M6 BOARDS AND THE L5 BOARD TO THE E3 AND E1 BOARDS USING HARDWARE AS SHOWN THROUGH PRE DRILLED HOLES.

NOTE THE ORIENTATION OF THE E3 AND E1 BOARDS.

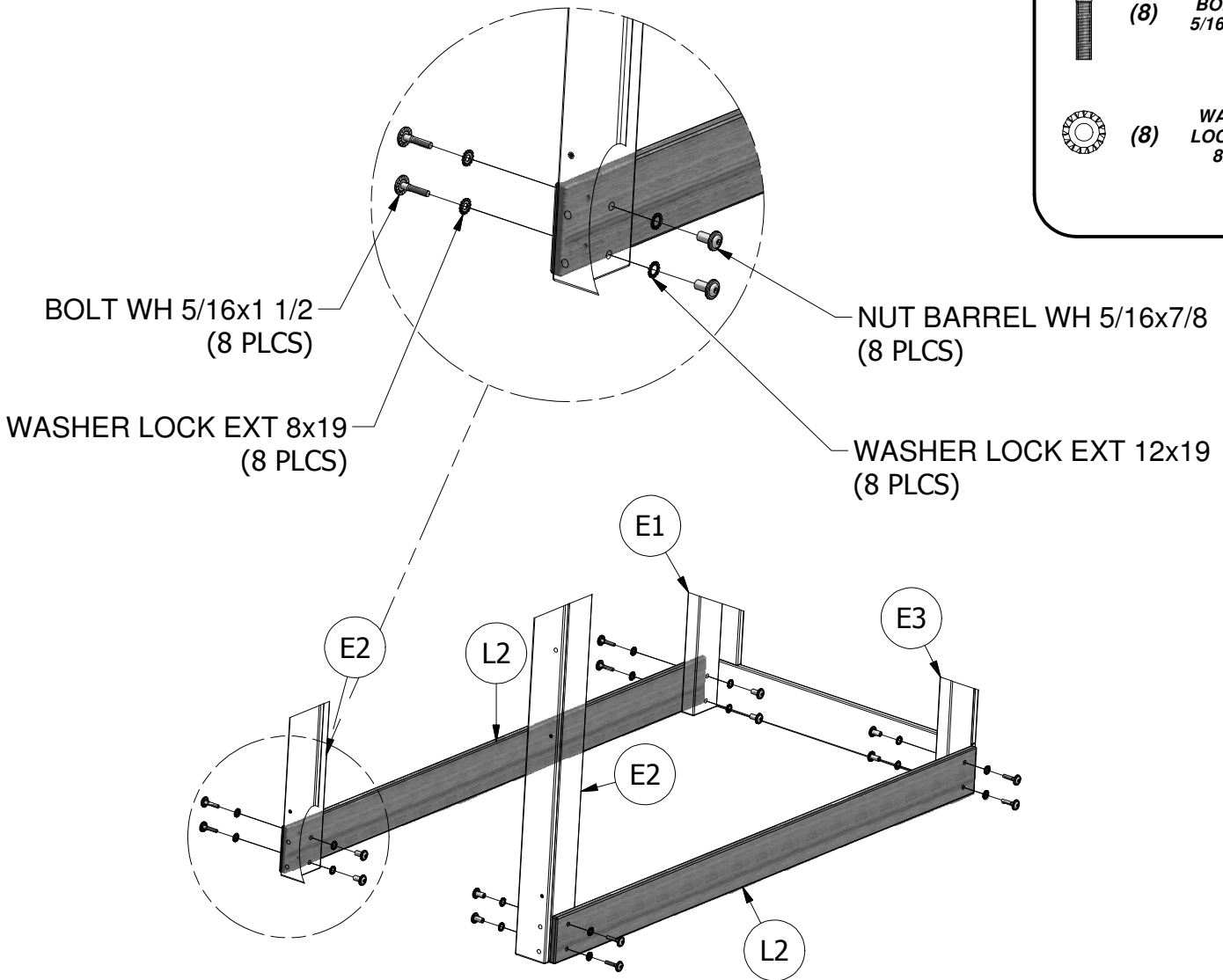
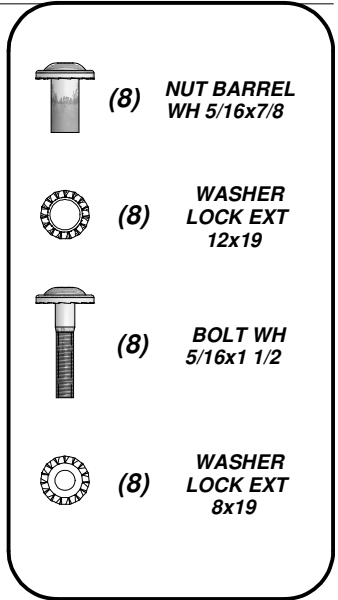




(2) **L2 - GROUND BOARD - W100684**
5/8"x4 3/8"x60 1/8" (16x112x1528)

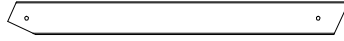
STEP 3

ATTACH THE L2 BOARDS TO THE E1, E3 AND E2 BOARDS USING HARDWARE AS SHOWN THROUGH PRE DRILLED HOLES.

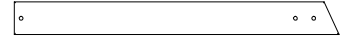




(1) **L3 - GROUND BOARD - W101602**
5/8"x4 3/8"x46 7/8" (16x112x1191)



(1) **M9 - ANGLE BRACE - W100696**
5/8"x3 3/8"x35 5/8" (16x86x904)

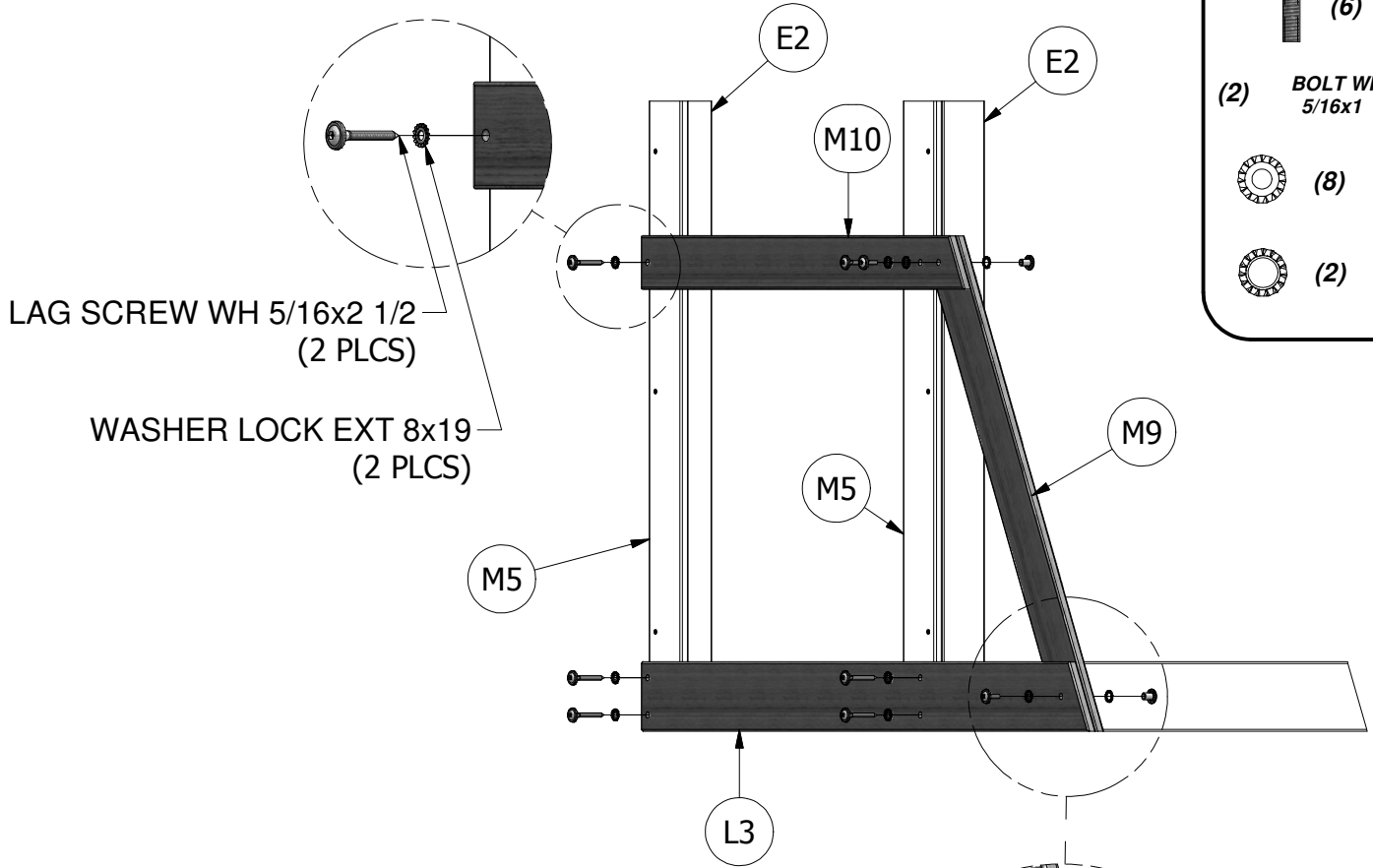


(1) **M10 - SAFETY BOARD - W100701**
5/8"x3 3/8"x33 7/8" (16x86x860)

STEP 4

ATTACH M10 AND L3 BOARDS TO THE M5 BOARDS USING HARDWARE AS SHOWN THROUGH PRE DRILLED HOLES.

ATTACH M9 BOARD TO THE M10 AND THE L3 BOARD USING HARDWARE AS SHOWN THROUGH PRE DRILLED HOLES.



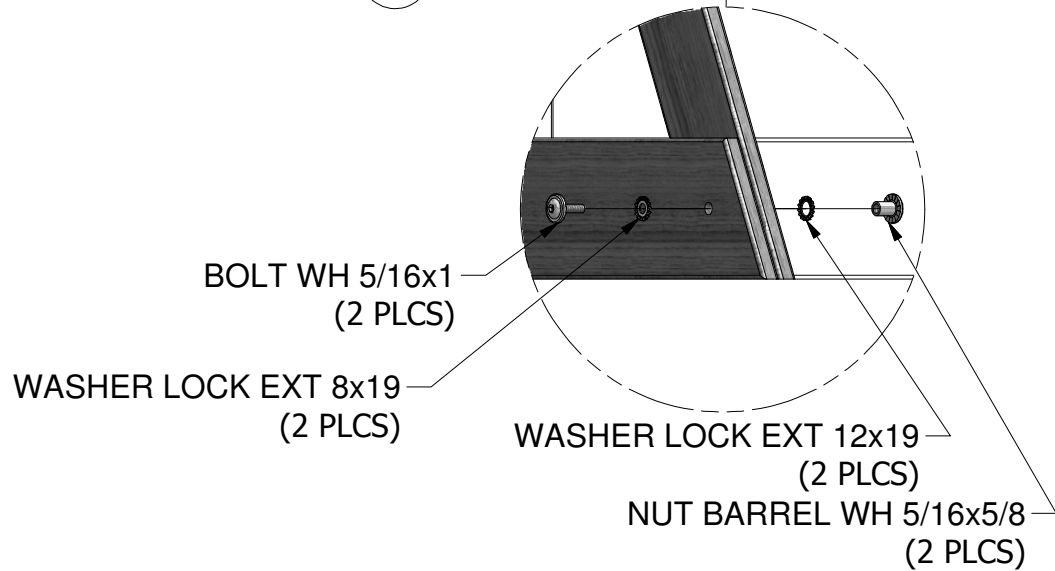
(2) **NUT BARREL**
WH 5/16x5/8

(6) **LAG SCREW**
WH 5/16x2 1/2

(2) **BOLT WH**
5/16x1

(8) **WASHER LOCK EXT**
8x19

(2) **WASHER LOCK EXT**
12x19





(1) **K4 - FLOOR RAIL - W103700**
5/8"x5 1/4"x60 1/8" (16x134x1528)

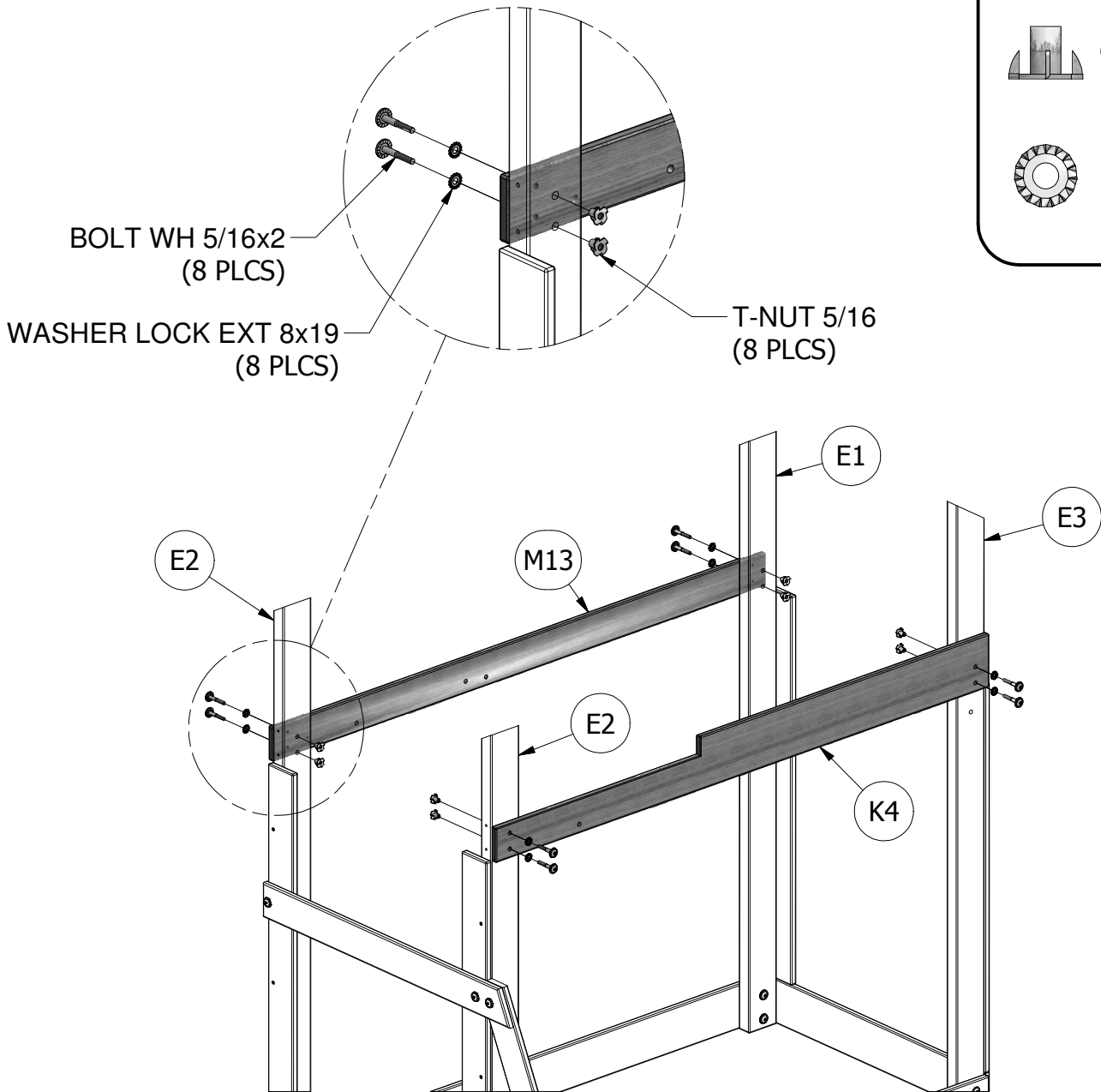
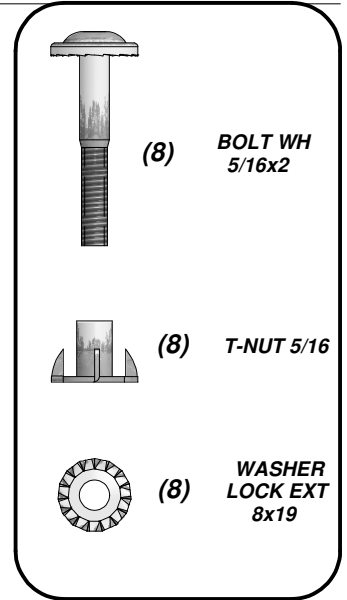


(1) **M13 - FLOOR RAIL - W103774**
5/8"x3 3/8"x60 1/8" (16x86x1528)

STEP 5

ATTACH M13 BOARD TO THE E1 BOARD AND THE E2 BOARD USING HARDWARE SHOWN THROUGH PRE DRILLED HOLES. NOTE THE ORIENTATION OF HOLES THAT WILL BE USED LATER IN THE M13 BOARD.

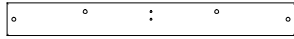
ATTACH K4 BOARD TO E3 BOARD AND E2 BOARD USING HARDWARE AS SHOWN THROUGH PRE DRILLED HOLES.



BOLT WH 5/16x2
(8 PLCS)

WASHER LOCK EXT 8x19
(8 PLCS)

T-NUT 5/16
(8 PLCS)



(1) **M14 - FLOOR SUPPORT BOARD - W103944**
5/8"x3 3/8"x30" (16x86x762)



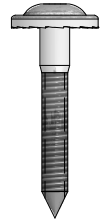
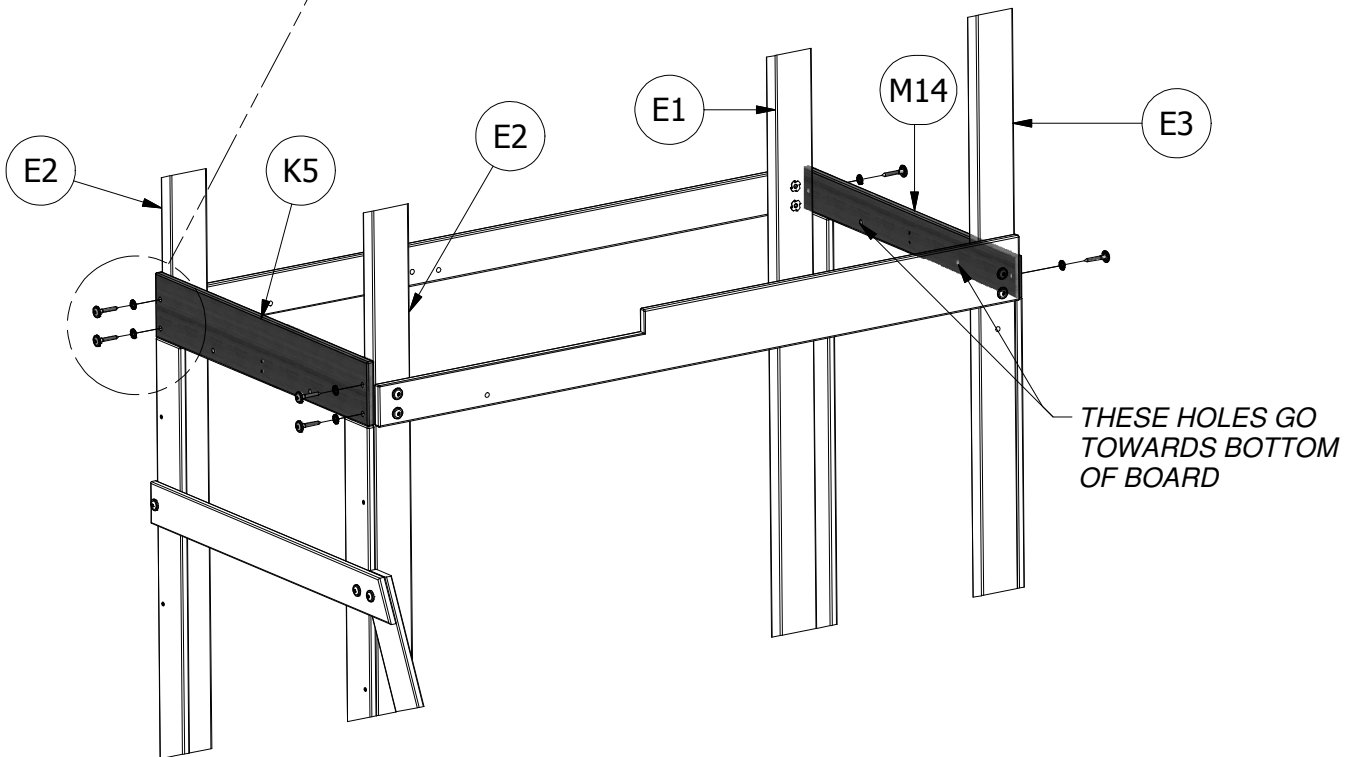
(1) **K5 - FLOOR RAIL - W103768**
5/8"x5 1/4"x30" (16x134x762)

STEP 6

ATTACH K5 BOARD TO E2 BOARDS AND ATTACH M14 BOARD TO E1 AND E3 BOARDS USING HARDWARE AS SHOWN THROUGH PRE DRILLED HOLES.

WASHER LOCK EXT 8x19
(6 PLCS)

LAG SCREW WH 5/16x2
(6 PLCS)



(6) **LAG SCREW**
WH 5/16x2



(6) **WASHER**
LOCK EXT
8x19

(2) SP1 - FLOOR SUPPORT CLEAT - W100711
1"x1"x53 3/8" (24x24x1356)

(2) F71 - STANDARD ANGLE BRACE - W100689
1 3/8"x2 3/8"x13" (36x60x330)

(4) J2 - END FLOOR CLEAT - W100710
1"x2 3/8"x3 3/8" (24x60x86)

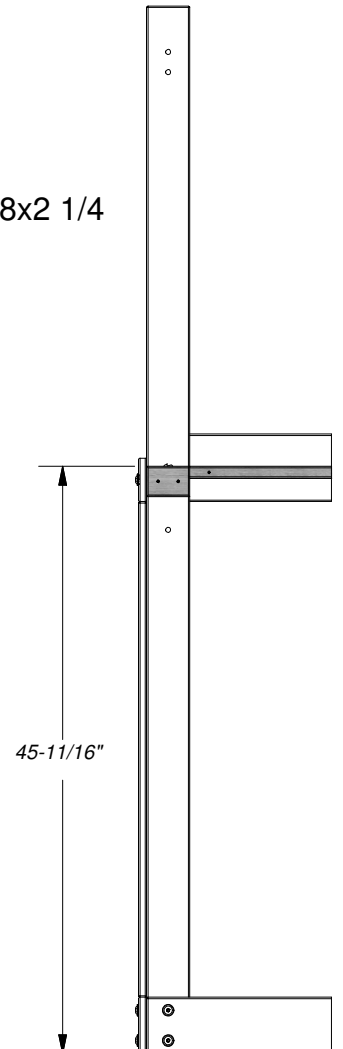
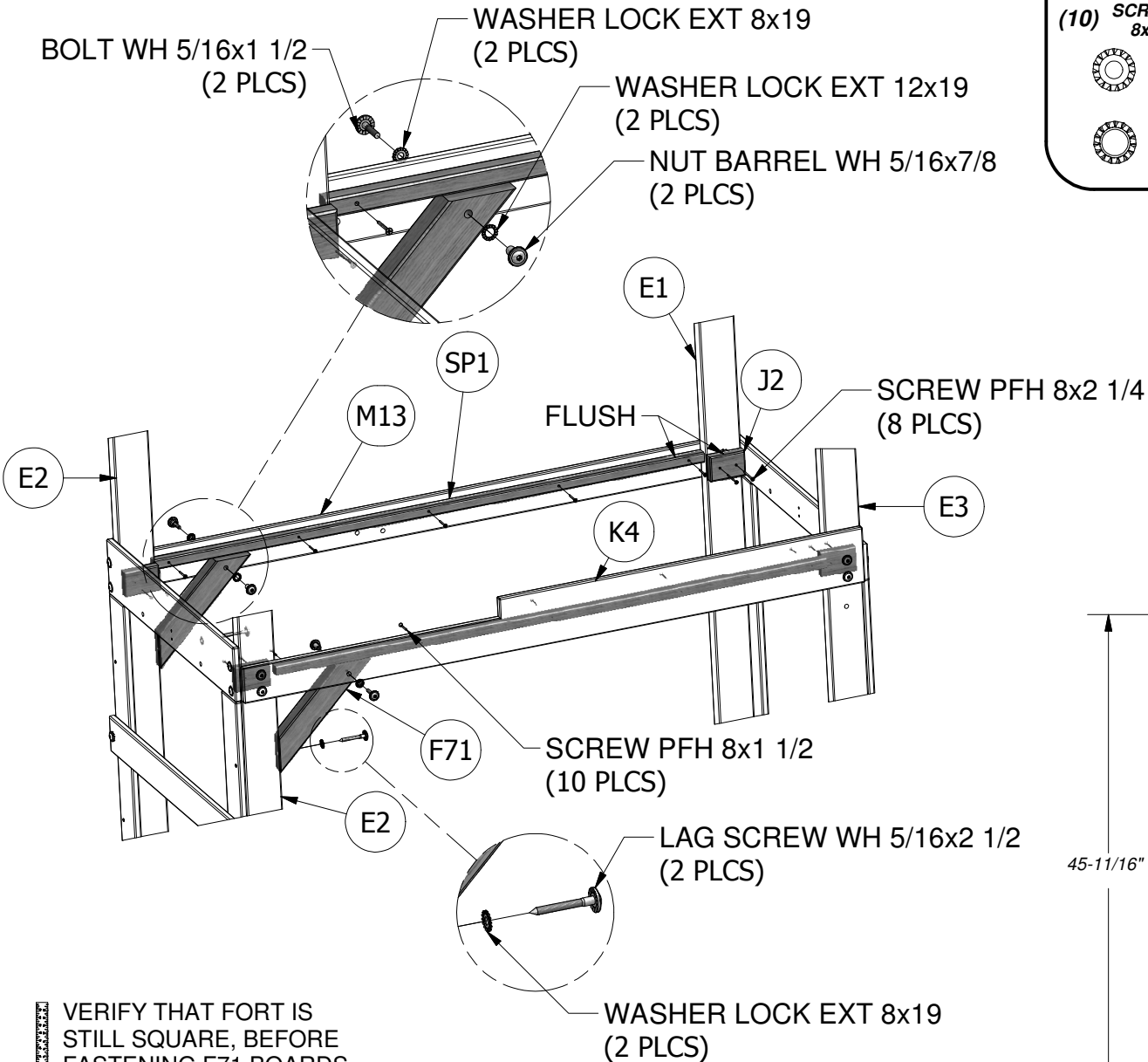
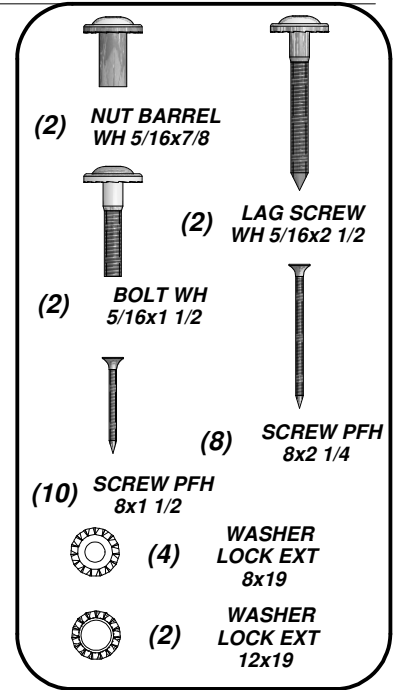
STEP 7

FIRST ATTACH A F71 BRACE TO A M13 BOARD AND A F71 BRACE TO A K4 BOARD USING HARDWARE AS SHOWN THROUGH PRE DRILLED HOLE.

PRE DRILL AND ATTACH THE F71 BRACES TO E2 BOARDS.

ATTACH A SP1 BOARD TO M13 BOARD AND K4 BOARD RESTING ON F71 BRACES. USING HARDWARE AS SHOWN THROUGH PRE DRILLED HOLES.

ATTACH J2 BOARDS TO EACH E2 BOARD AND TO THE E1 AND E3 BOARDS. THE TOP OF THE J2 BOARDS SHOULD BE FLUSH WITH THE TOP OF THE SP1 BOARDS. ATTACH THROUGH PRE DRILLED HOLES WITH HARDWARE SHOWN.



VERIFY THAT FORT IS STILL SQUARE, BEFORE FASTENING F71 BOARDS TO E2 BOARDS

(4) **F71 - STANDARD ANGLE BRACE - W100689**
 1 3/8"x2 3/8"x13" (36x60x330)

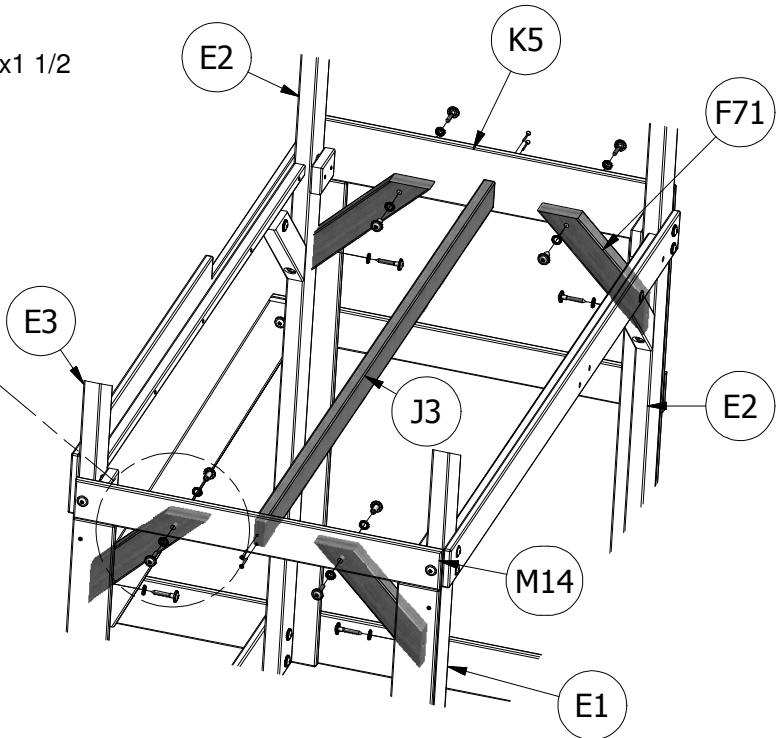
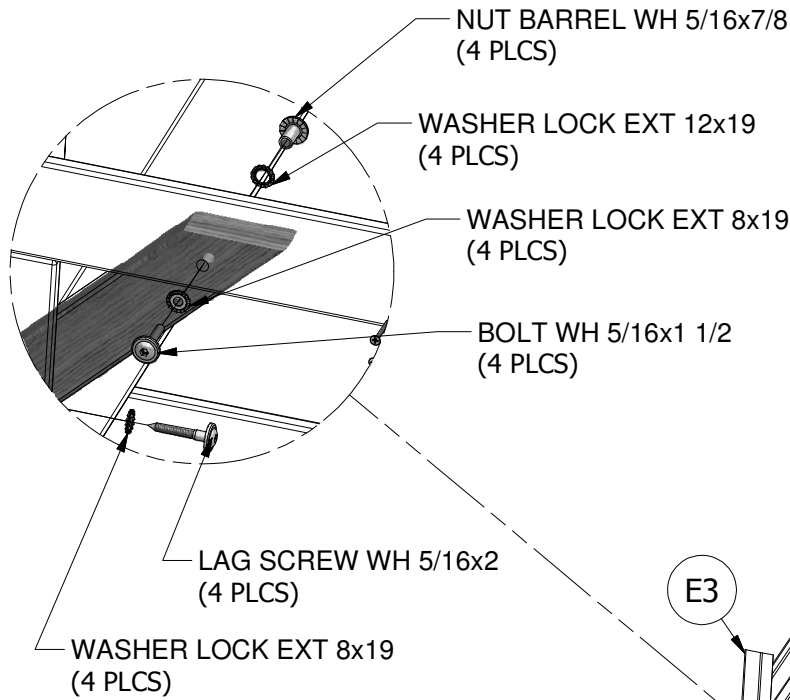
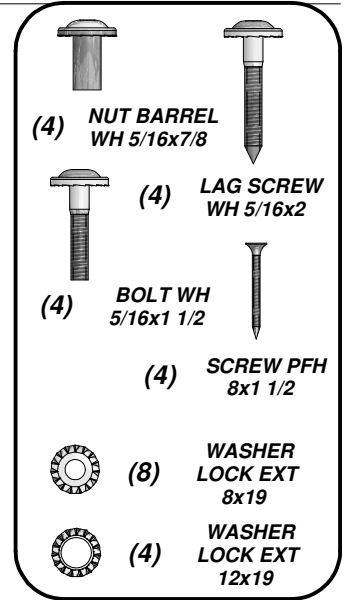
(1) **J3 - FLOOR JOIST - W100984**
 1"x2 3/8"x60 1/8" (24x60x1528)

STEP 8

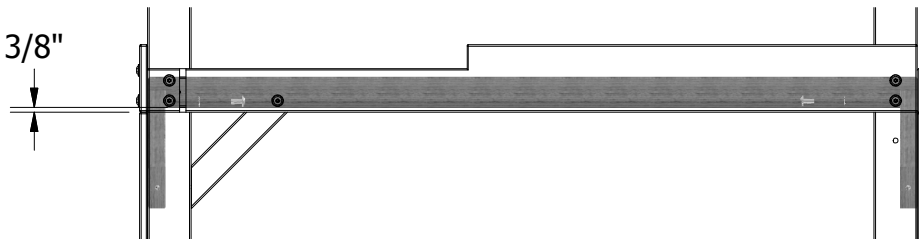
ATTACH F71 BRACES TO K5 AND M14 BOARDS THROUGH PRE DRILLED HOLES WITH HARDWARE AS SHOWN

PRE DRILL E1, E3, AND E2 BRACES AND FASTEN F71 BOARDS TO THEM WITH HARDWARE AS SHOWN

ATTACH J3 FLOOR JOIST TO M14 AND K5 BOARDS WITH BOTTOM OF J3 JOIST BEING 3/8" FROM BOTTOM OF M14 AND K5 BOARDS WITH HARDWARE SHOWN THROUGH PRE DRILLED HOLES.



VERIFY THAT FORT IS STILL SQUARE, BEFORE FASTENING F71 BOARDS TO E1, E2 AND E3 BOARDS



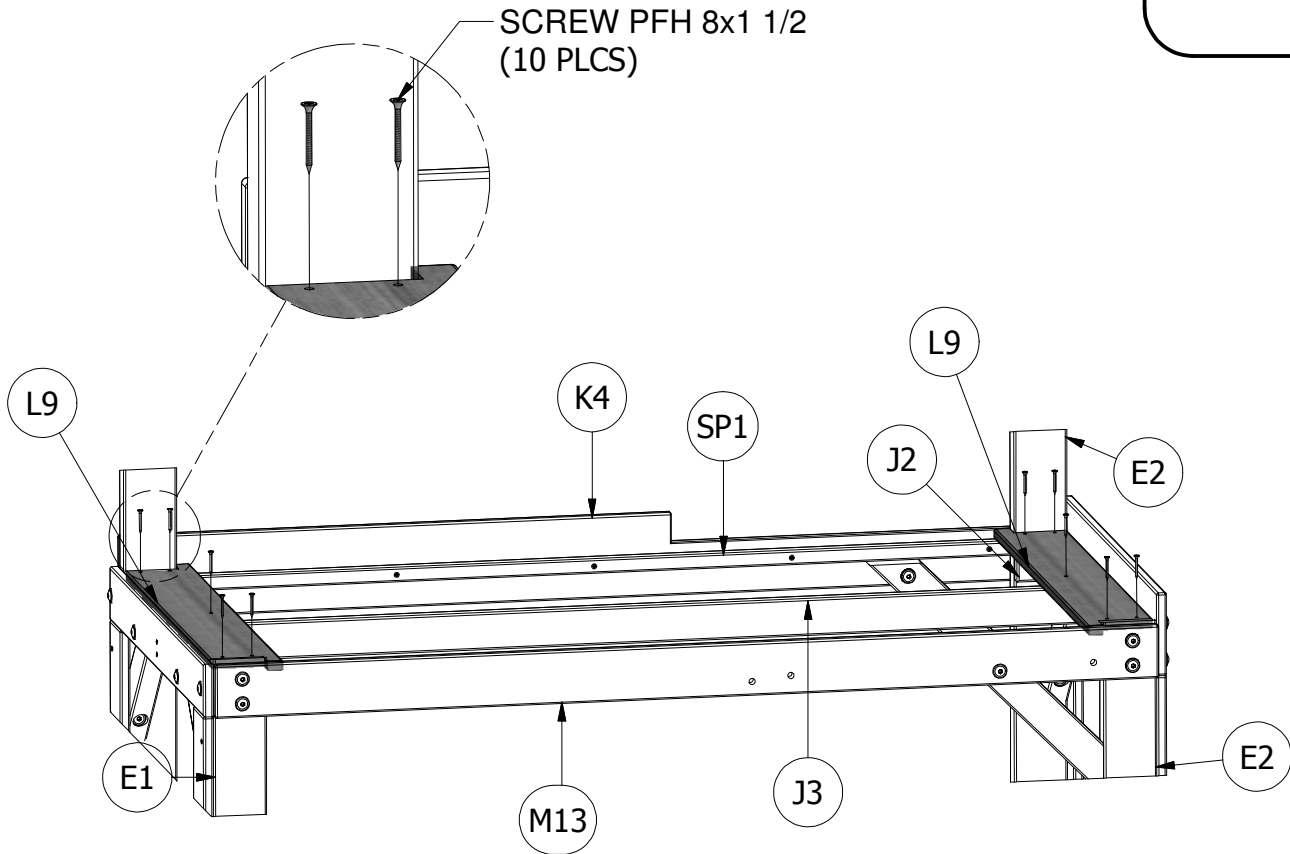
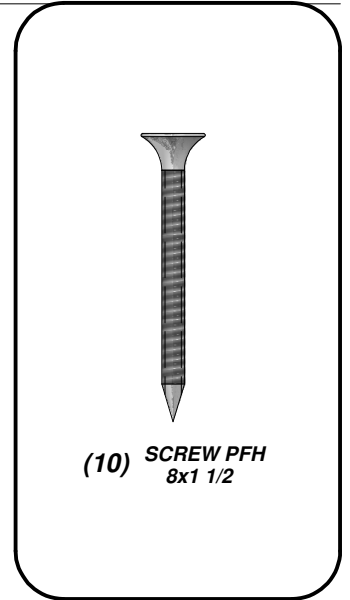


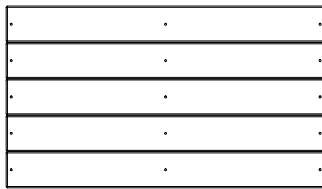
(2) **L9 - END FLOOR BOARD - W102863**
5/8"x4 3/8"x29 7/8" (16x112x760)

STEP 9

PLACE L9 BOARDS ON THE J3 FLOOR JOIST AND J2 SUPPORT BOARDS. L9 BOARD WILL SIT UP AGAINST THE E2 BOARDS AND THE E3 AND E1 BOARD AS SHOWN.

ATTACH L9 BOARDS TO J2 BOARDS AND J3 FLOOR JOIST THROUGH PRE DRILLED HOLES.

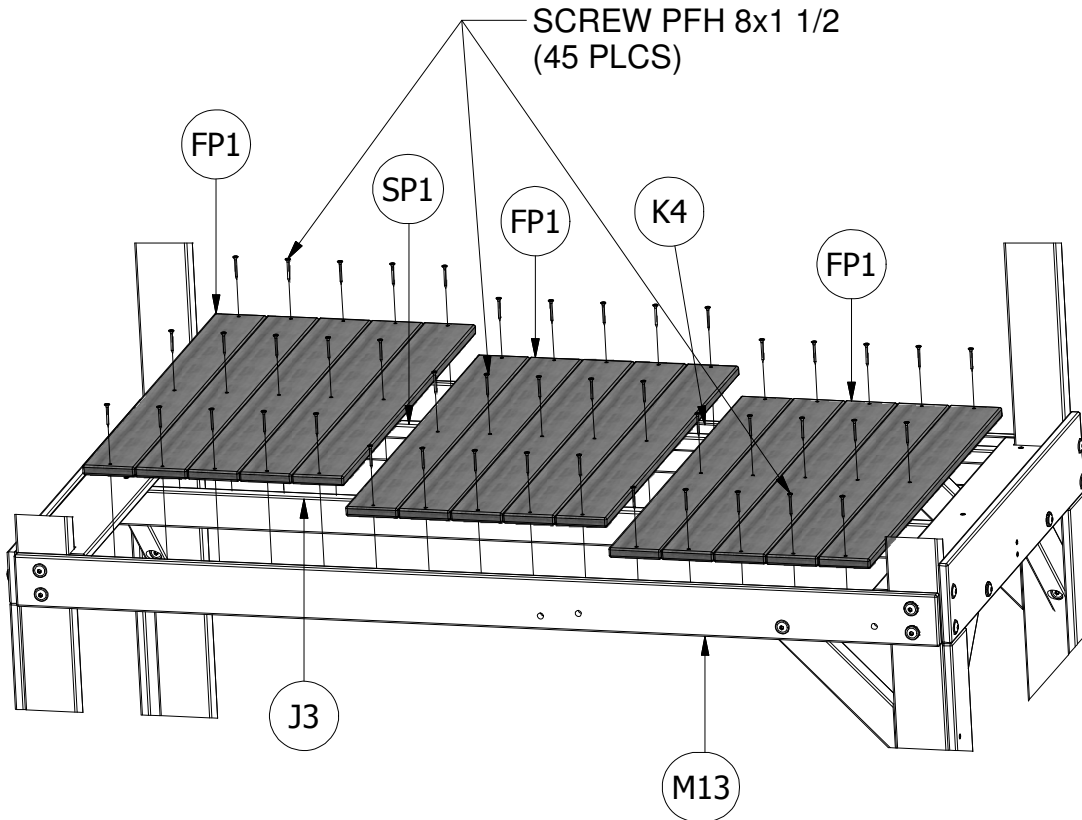
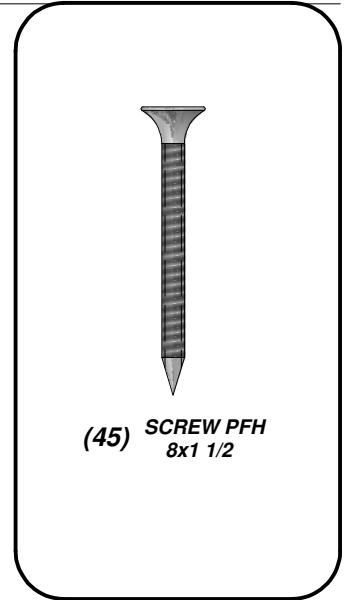




(3) FP1 - FLOOR PANEL - W102861

STEP 10

ATTACH FP1 FLOOR PANELS TO SP1 BOARDS AND J3 FLOOR JOIST USING HARDWARE AS SHOWN THROUGH PRE DRILLED HOLES.





(1) **M12 - MONKEY BAR ARCH BOARD - W103775**
 5/8"x3 3/8"x30" (16x86x762)



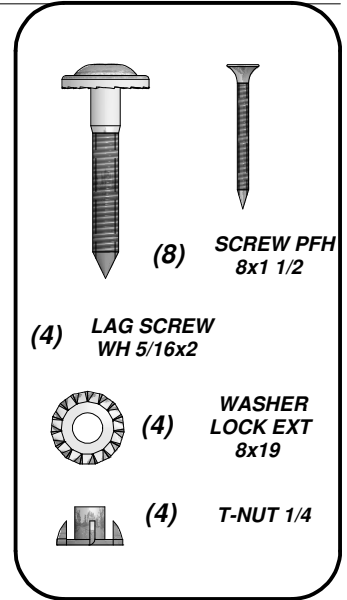
(2) **M11 - UPPER FACE BOARD - W102866**
 5/8"x3 3/8"x26 5/8" (16x86x676)

STEP 11

ATTACH 1/4" T-NUTS TO M11 BOARDS AS SHOWN.

ATTACH M11 BOARDS TO E1 BOARD AND E3 BOARD WITH HARDWARE AS SHOWN THROUGH PRE DRILLED HOLES.

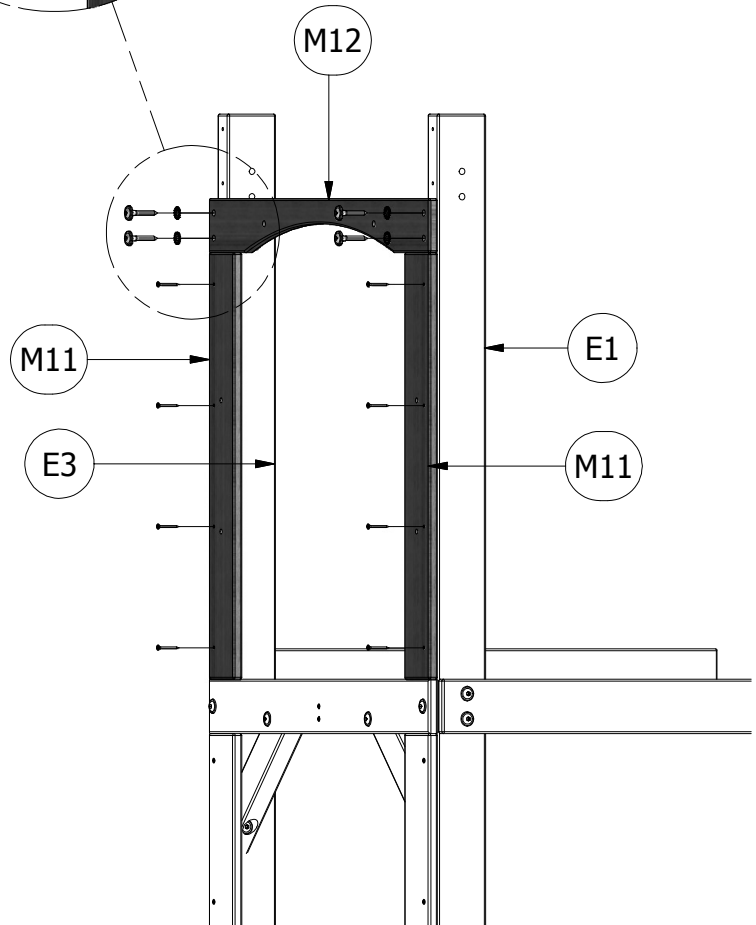
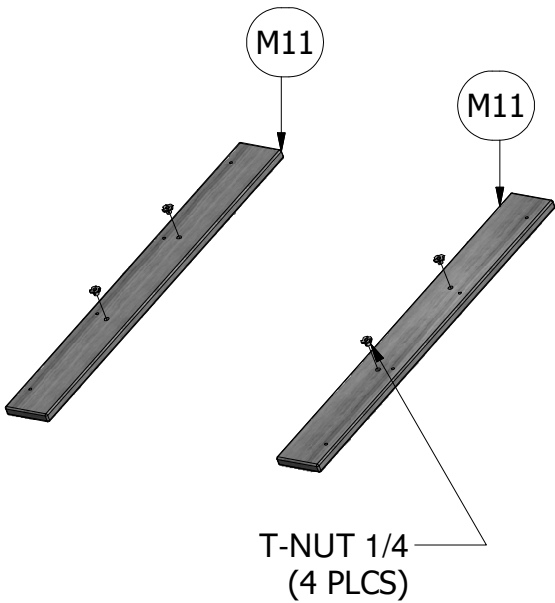
ATTACH M12 BOARD TO E3 AND E1 BOARDS THROUGH PRE DRILLED HOLES WITH HARDWARE AS SHOWN.



LAG SCREW WH 5/16x2
 (4 PLCS)

WASHER LOCK EXT 8x19
 (4 PLCS)

SCREW PFH 8x1 1/2
 (8 PLCS)





(1) **L6 - ARCHED RAIL - W100694**
5/8"x4 3/8"x60 1/8" (16x112x1528)

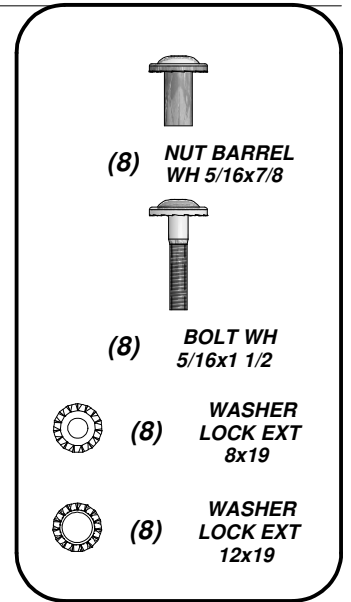
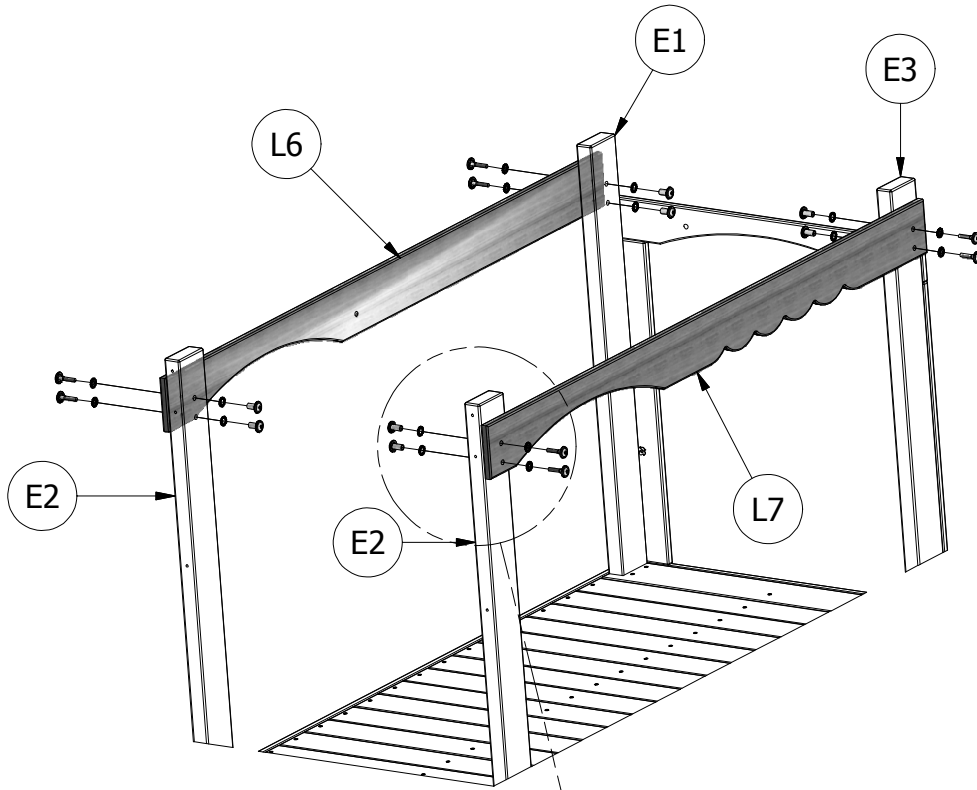


(1) **L7 - ARCHED SCULPTURED RAIL - W100695**
5/8"x4 3/8"x60 1/8" (16x112x1528)

STEP 12

ATTACH L6 BOARD AS SHOWN TO E1 AND E2 BOARDS THROUGH PRE DRILLED HOLES USING HARDWARE AS SHOWN.

ATTACH L7 BOARD AS SHOWN TO E3 AND E2 BOARDS THROUGH PRE DRILLED HOLES USING HARDWARE AS SHOWN.

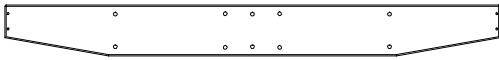


NUT BARREL WH 5/16x7/8
(8 PLCS)

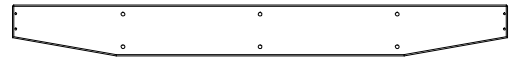
BOLT WH 5/16x1 1/2
(8 PLCS)

WASHER LOCK EXT 12x19
(8 PLCS)

WASHER LOCK EXT 8x19
(8 PLCS)



(1) K1 - ROOF SWING BEAM SUPPORT - W100682
5/8"x5 1/4"x51 5/8" (16x134x1310)



(1) K2 - ROOF SUPPORT - W100683
5/8"x5 1/4"x51 5/8" (16x134x1310)

STEP 13

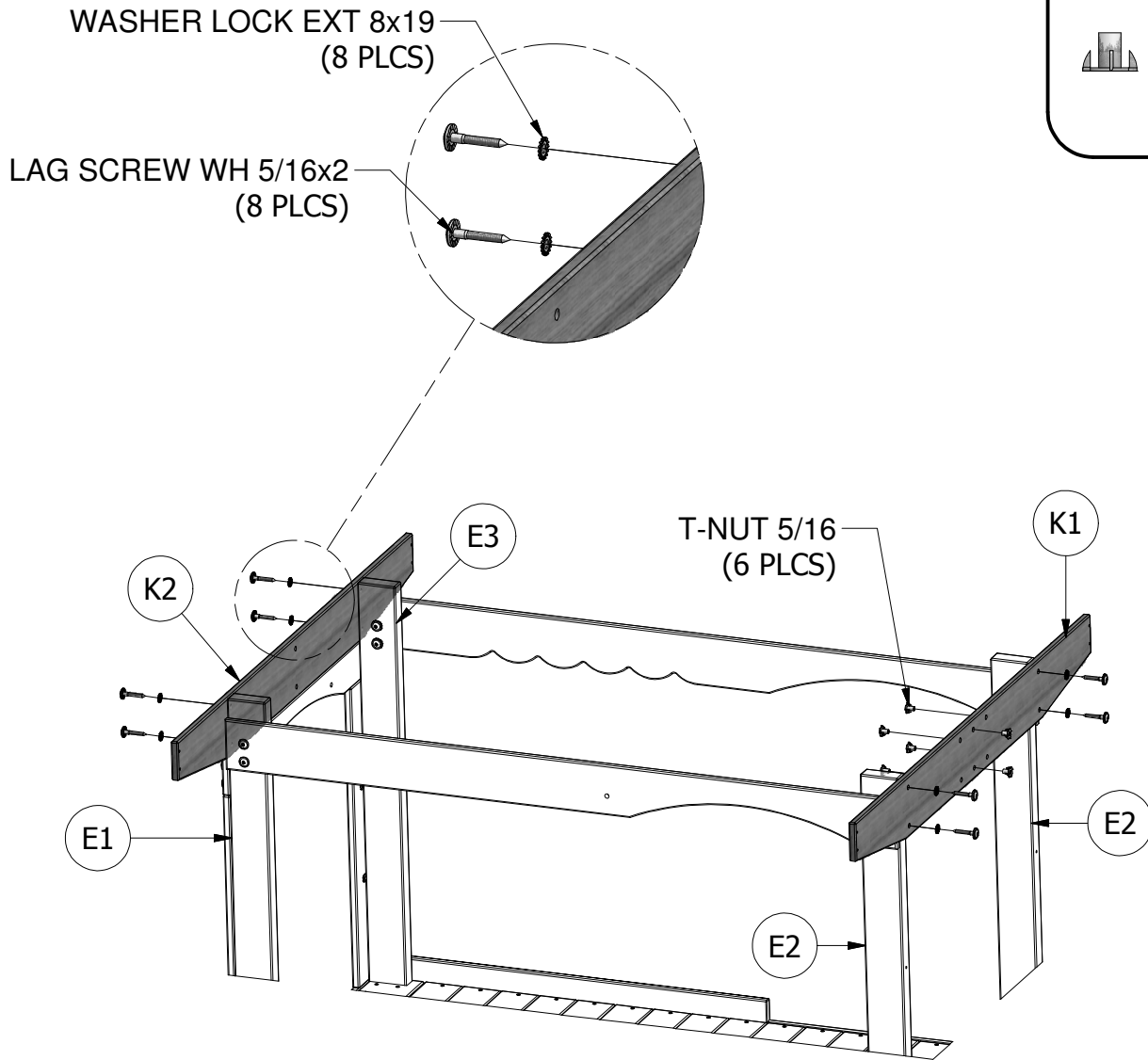
ATTACH 5/16 T NUTS TO K1 BOARD AS SHOWN AND ATTACH TO E2 BOARDS THROUGH PRE DRILLED HOLES WITH HARDWARE AS SHOWN.

ATTACH K2 BOARD TO E1, AND E3 BOARDS WITH HARDWARE AS SHOWN THROUGH PRE DRILLED HOLES.

(8) LAG SCREW
WH 5/16x2

(8) WASHER
LOCK EXT
8x19

(6) T-NUT 5/16





(1) **M1 - PICKET RAIL - W103760**
 5/8"x3 3/8"x30" (16x86x762)

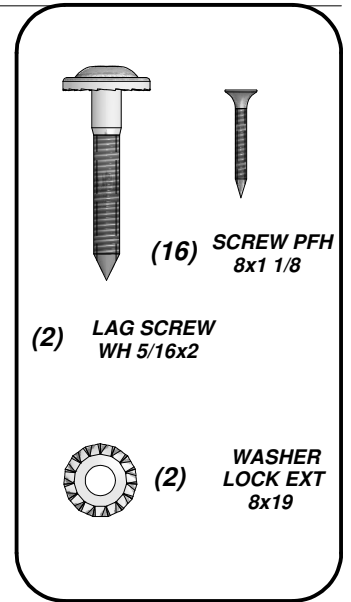
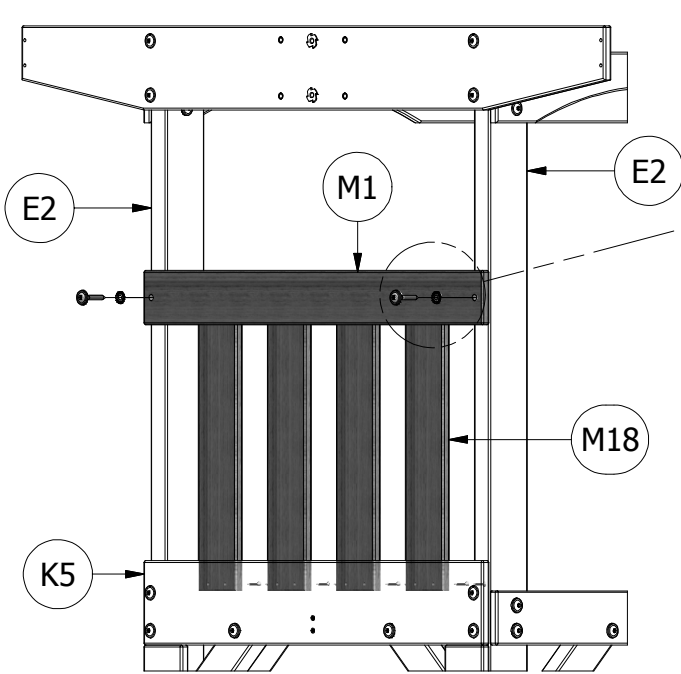


(4) **M18 - PICKET - W103761**
 5/8"x3 3/8"x18 7/8" (16x86x480)

STEP 14

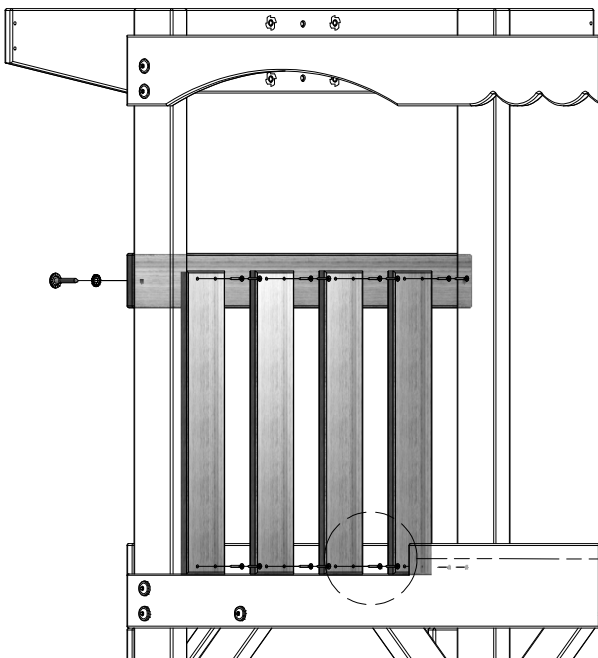
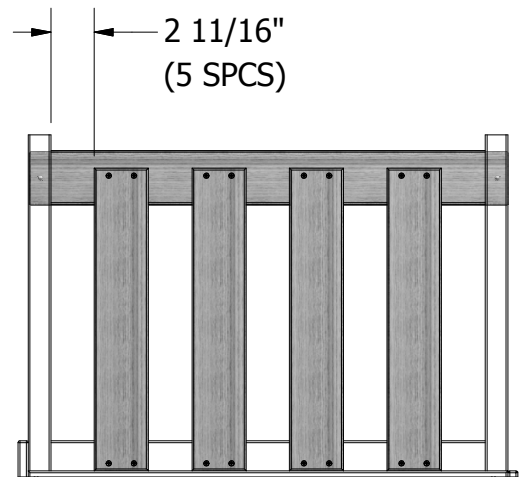
ATTACH M1 BOARD TO E2 BOARDS AS SHOWN.

ATTACH M18 PICKETS TO M1 BOARD AND K5 BOARD USING SPACING AS SHOWN



WASHER LOCK EXT 8x19
(2 PLCS)

LAG SCREW WH 5/16x2
(2 PLCS)



SCREW PFH 8x1 1/8
(16 PLCS)



(1) **M8 - WALL RAIL - W100700**
5/8"x3 3/8"x35 7/8" (16x86x910)

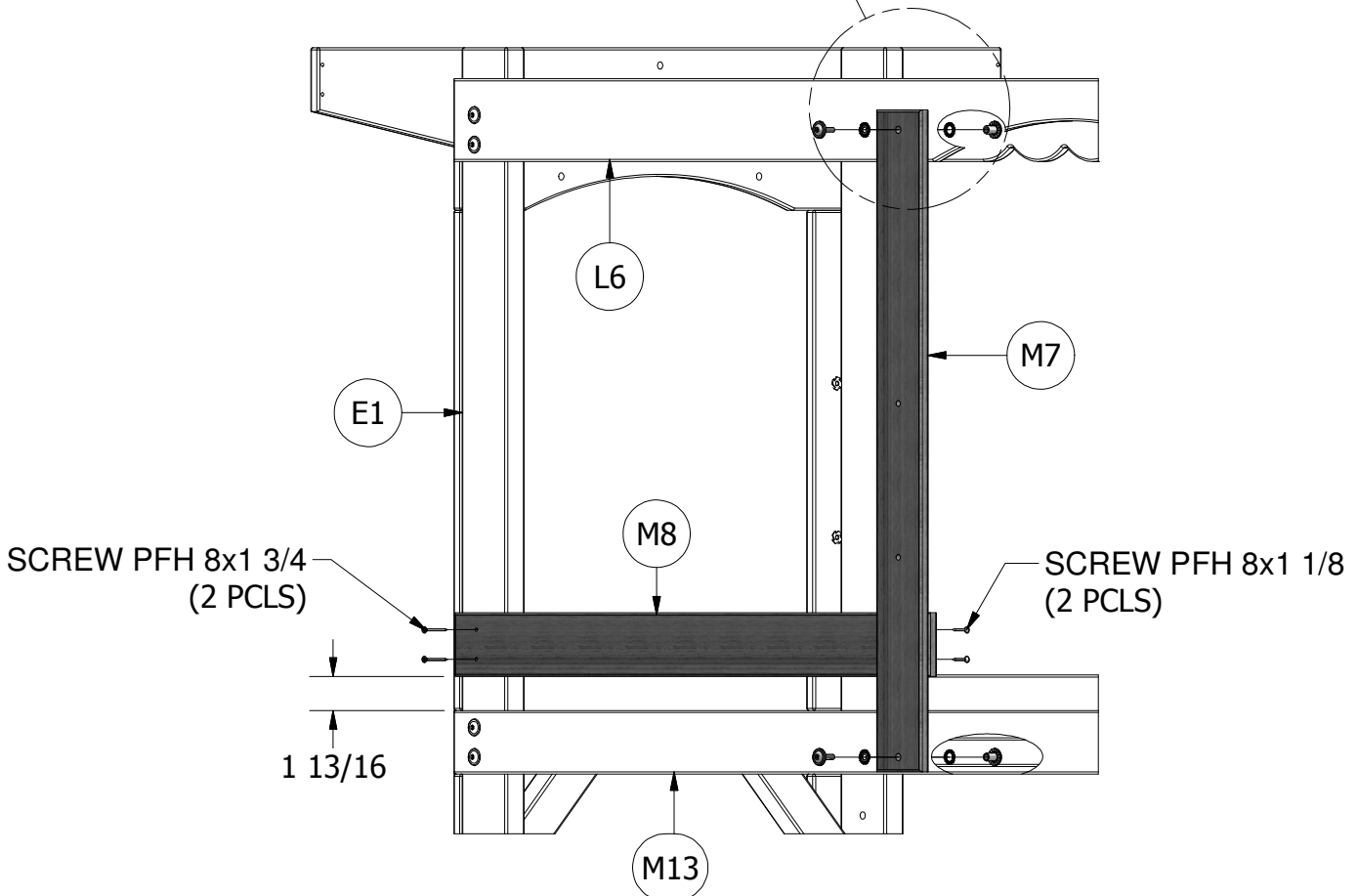
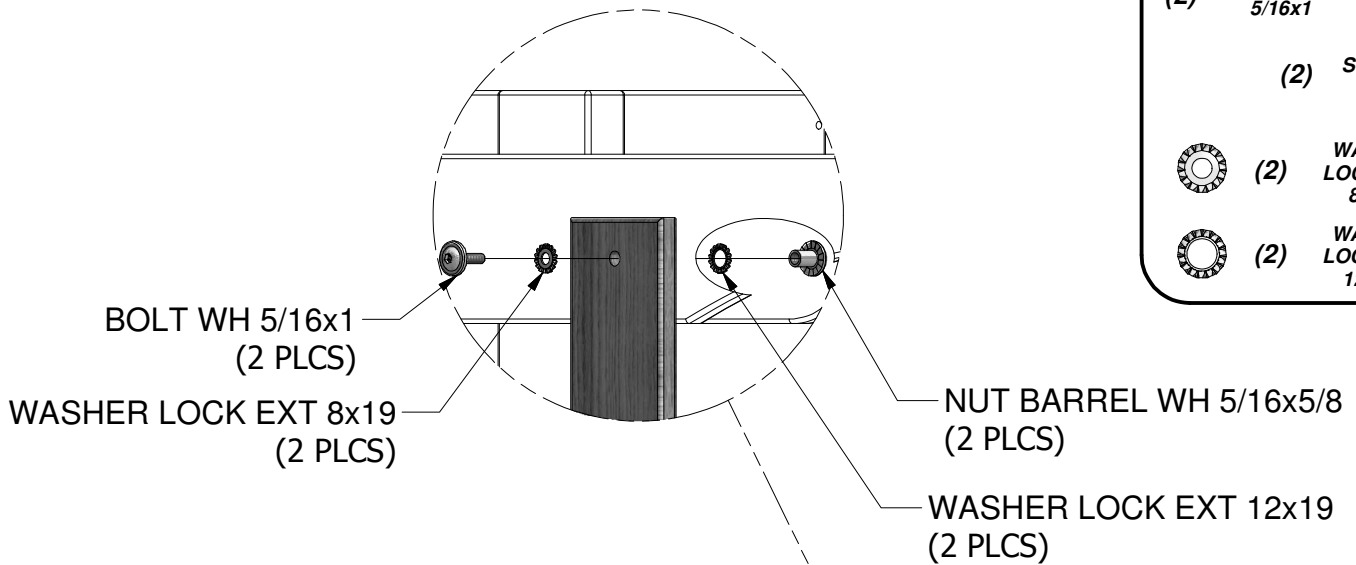
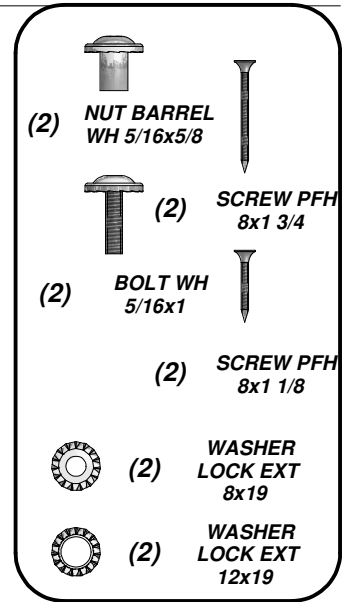


(1) **M7 - WALL BOARD - W100708**
5/8"x3 3/8"x35 1/4" (16x86x895)

STEP 15

ATTACH M7 BOARD TO L6 BOARD AND M13 BOARD THROUGH PRE DRILLED HOLES USING HARDWARE AS SHOWN.

ATTACH M8 BOARD TO M7 BOARD AND E1 BOARD USING HARDWARE AS SHOWN THROUGH PRE DRILLED HOLES.

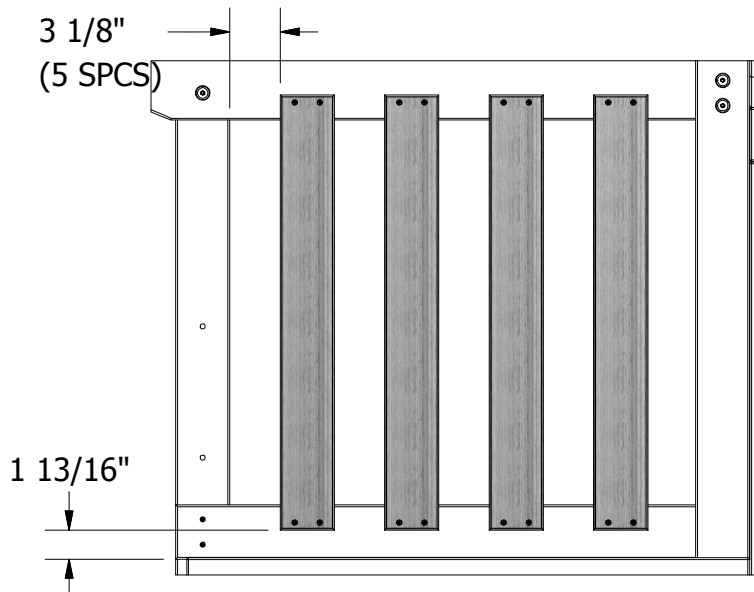
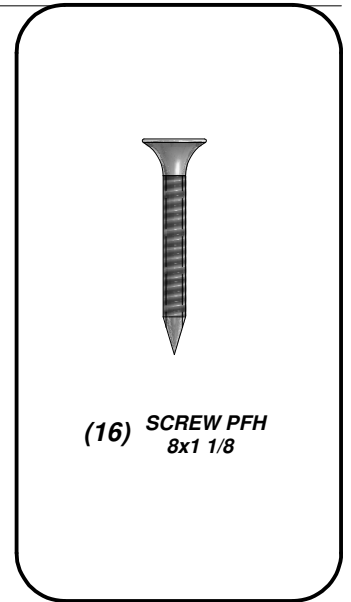
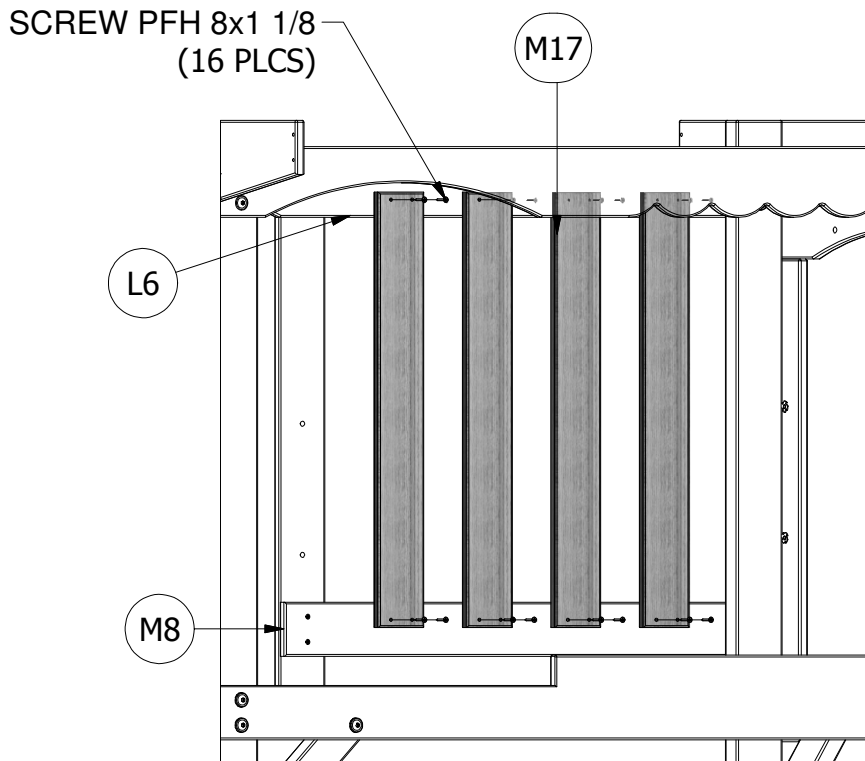


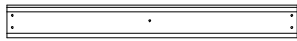


(4) **M17 - PICKET - W100705**
5/8"x3 3/8"x27 1/8" (16x86x690)

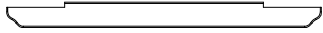
STEP 16

ATTACH M17 PICKETS TO L6 AND M8 BOARDS USING SPACING AND HARDWARE AS SHOWN THROUGH PRE DRILLED HOLES.





- (4) **K9-2 - WALL BOARD - W100712**
3/8"x3 3/8"x30 1/4" (11x86x768)



- (1) **J1 - WINDOW LEDGE - W100709**
1"x2 3/8"x29 1/2" (24x60x750)



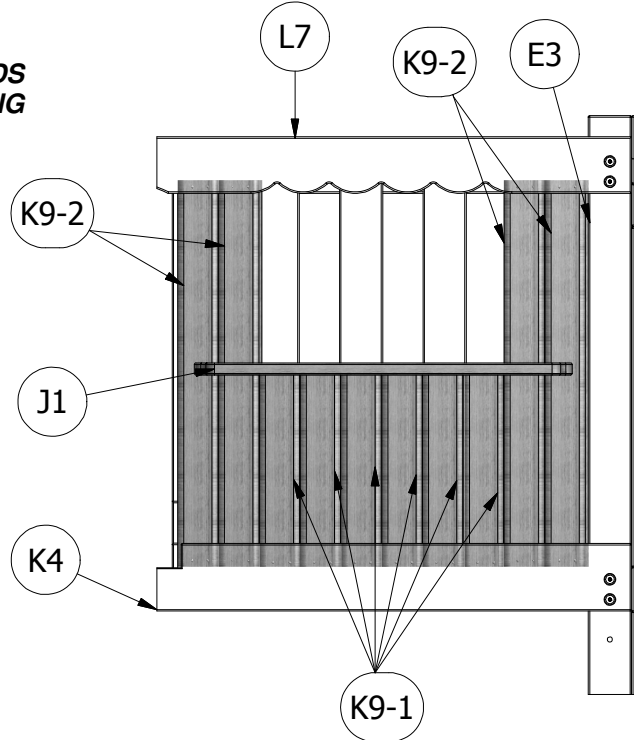
- (6) **K9-1 - WALL BOARD - W100713**
3/8"x3 3/8"x15 3/4" (11x86x400)

STEP 17

PLACE (2) K9-2 BOARDS ON FLOOR AGAINST L7 AND K4 BOARDS, AND AGAINST E3 BOARD LIP OF K9-2 TOUCHING E3 BOARD AND ATTACH WITH HARDWARE AS SHOWN THROUGH PRE DRILLED HOLES.

ATTACH K9-1 BOARDS AND (2) K9-2 BOARDS L7 AND K4 BOARD AGAINST PREVIOUSLY ATTACHED K9-2 BOARDS.

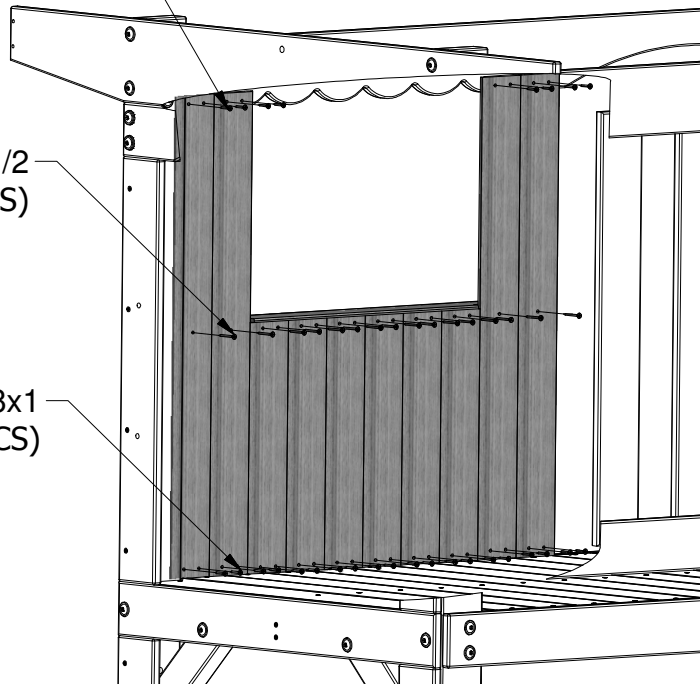
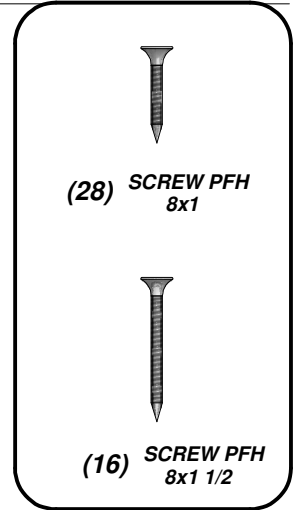
ATTACH J1 SHELF TO TOP OF K9-1 BOARDS AND THROUGH K9-2 BOARDS THROUGH PRE DRILLED HOLES USING HARDWARE AS SHOWN.



SCREW PFH 8x1
(8 PLCS)

SCREW PFH 8x1 1/2
(16 PLCS)

SCREW PFH 8x1
(20 PLCS)

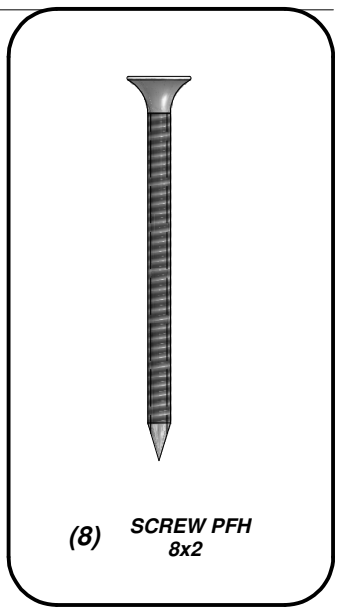
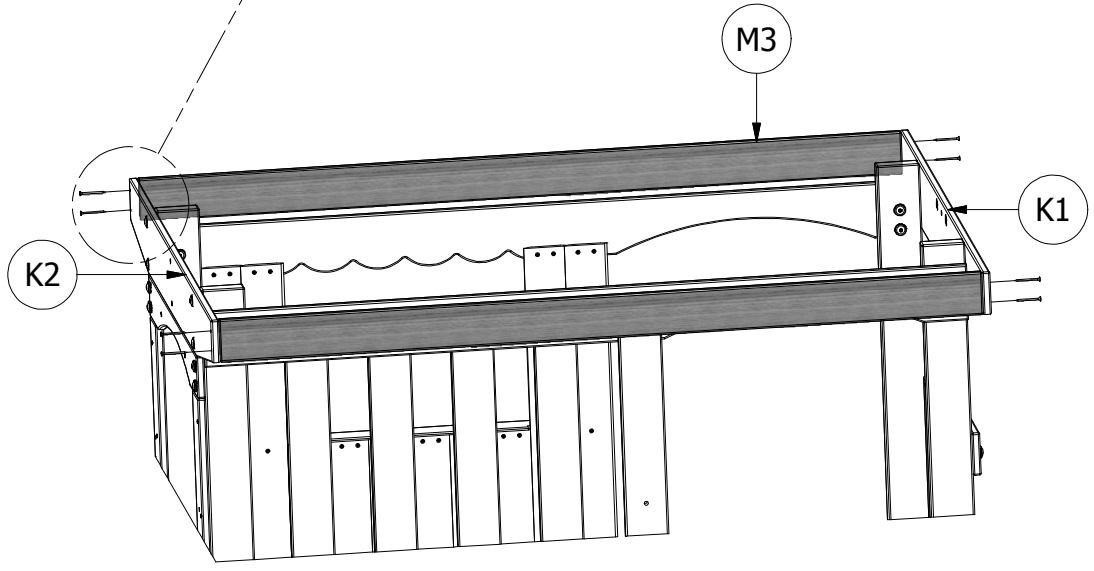
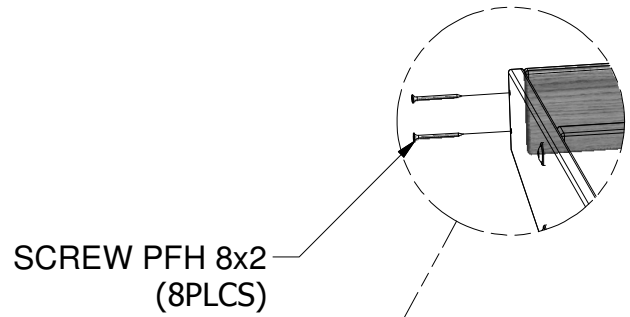


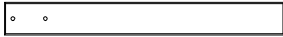


(2) **M3 - TARP SUPPORT - W100692**
5/8"x3 3/8"x60 1/8" (16x86x1528)

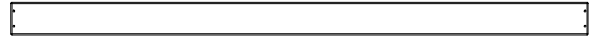
STEP 18

ATTACH M3 BOARDS TO K1 AND K2 BOARDS THROUGH PRE DRILLED HOLES USING HARDWARE AS SHOWN.





(2) **M16 - TARP SUPPORT - W101237**
5/8"x3 3/8"x29 1/8" (16x86x740)

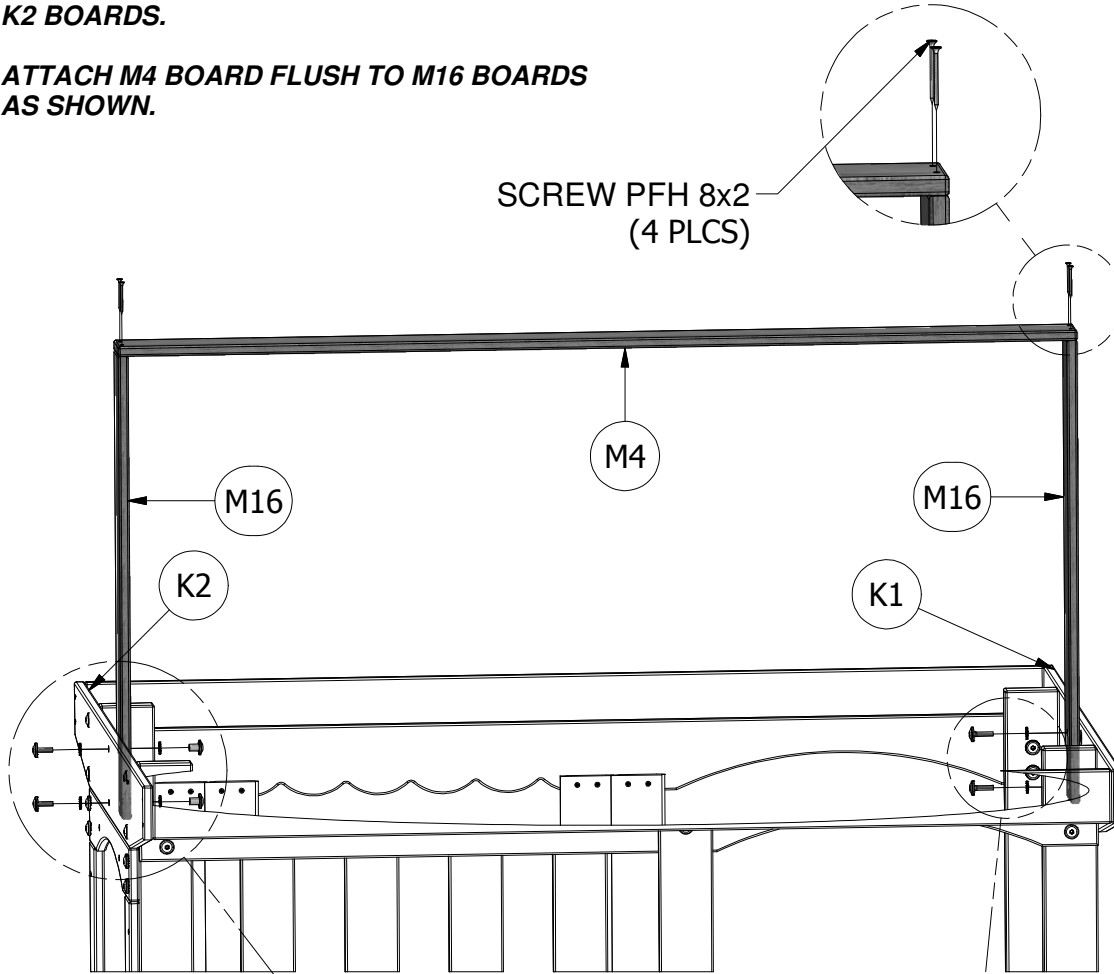


(1) **M4 - TARP TOP SUPPORT - W100693**
5/8"x3 3/8"x60 1/8" (16x86x1528)

STEP 19

ATTACH M16 BOARDS AS SHOWN TO K1 AND K2 BOARDS.

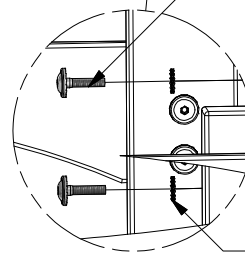
ATTACH M4 BOARD FLUSH TO M16 BOARDS AS SHOWN.



SCREW PFH 8x2
(4 PLCS)

	(4)	SCREW PFH 8x2
	(2)	BOLT WH 5/16x1
	(2)	NUT BARREL WH 5/16x5/8
	(2)	BOLT WH 5/16x1 1/4
	(4)	WASHER LOCK EXT 8x19
	(2)	WASHER LOCK EXT 12x19

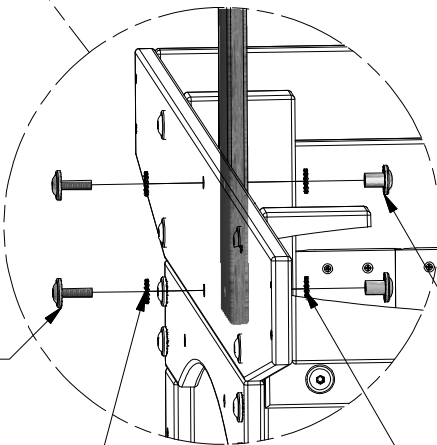
BOLT WH 5/16x1 1/4
(2 PLCS)



WASHER LOCK EXT 8x19
(2 PLCS)

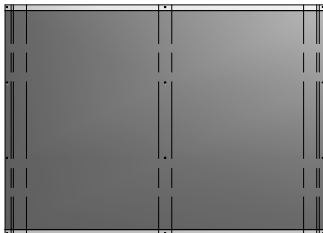
NUT BARREL WH 5/16x5/8
(2 PLCS)

BOLT WH 5/16x1
(2 PLCS)



WASHER LOCK EXT 8x19
(2 PLCS)

WASHER LOCK EXT 12x19
(2 PLCS)



(1) HY - TARP 1522x2119 - A100062
1/32"x59 7/8"x83 3/8" (.4x1522x2119)

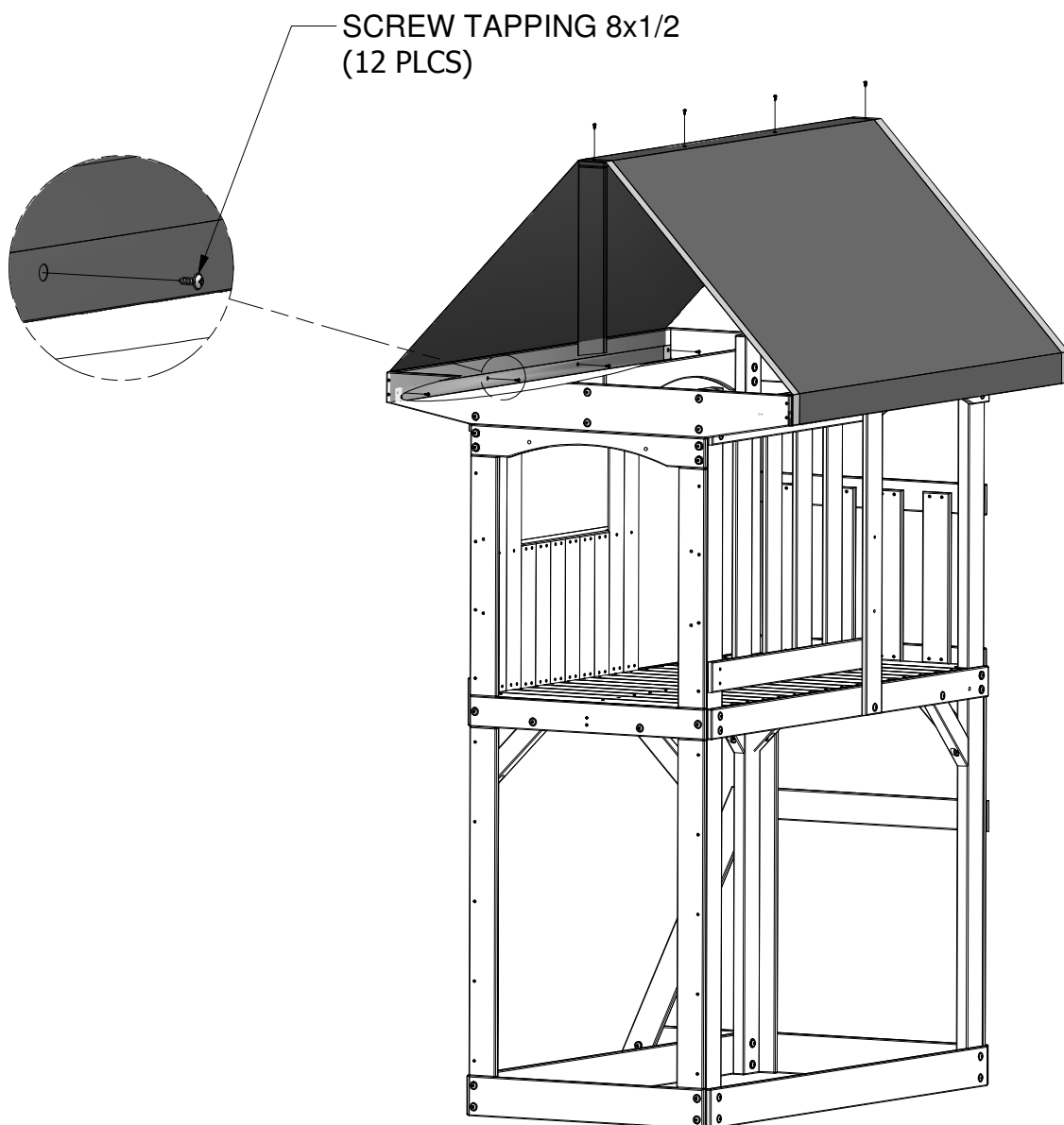
STEP 20

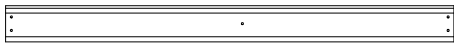
CENTER HY TARP OVER M4 TARP TOP SUPPORT AND ATTACH USING (4) 1/2" TAPPING SCREWS, AS SHOWN.

NEXT, DRAPE HY TARP EVENLY OVER (2) M3 TARP SUPPORTS AND WRAP UNDERNEATH AND UP THE BACK SIDE OF M3 SUPPORT APPROXIMATELY 1-13/16" FROM THE TOP AND ATTACH USING (8) 1/2" TAPPING SCREWS, AS SHOWN.

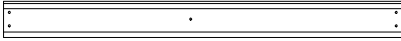


(12) SCREW
TAPPING
8x1/2





(2) **K9-3 - WALL BOARD - W101257**
3/8"x3 3/8"x42" (11x86x1068)



(2) **K9-4 - WALL BOARD - W101239**
3/8"x3 3/8"x37 3/8" (11x86x950)



(1) **L8 - SCULPTURED RAIL - W101240**
5/8"x4 3/8"x35 1/2" (16x112x902)



(6) **K9-5 - WALL BOARD - W101259**
3/8"x3 3/8"x21 3/8" (11x86x544)

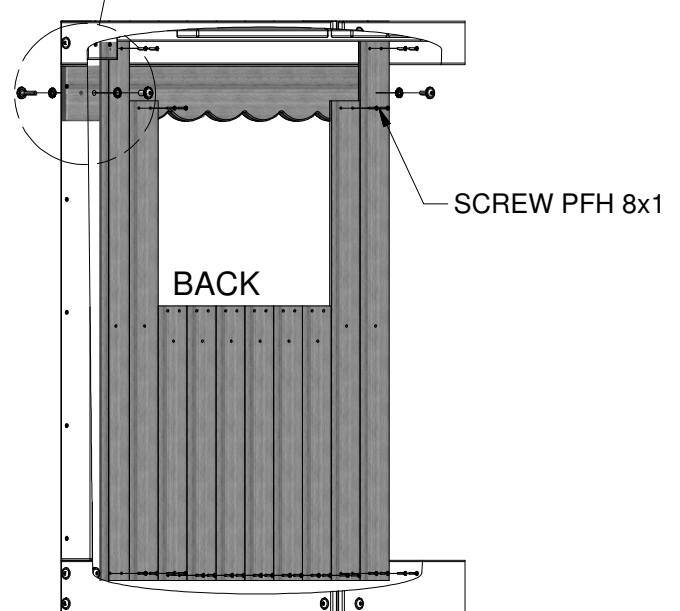
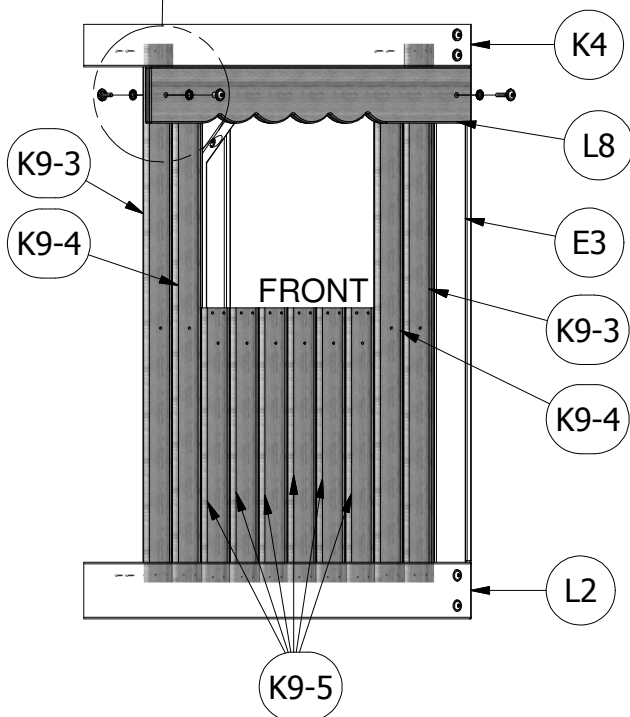
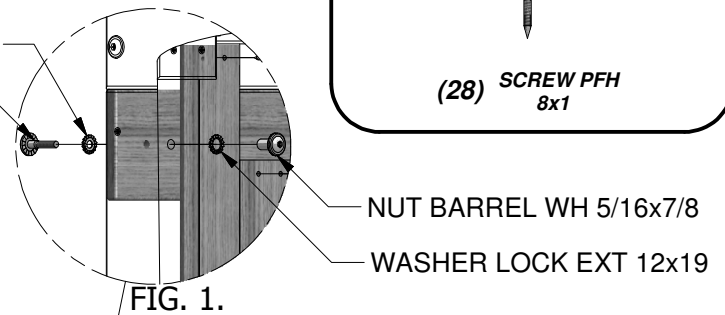
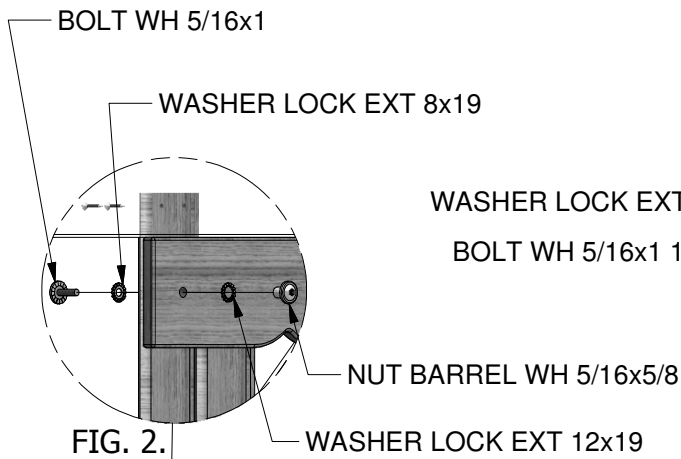
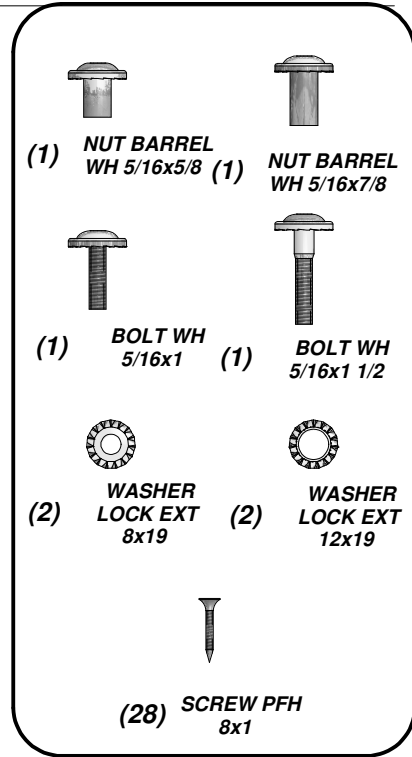
STEP 21

ATTACH L8 BOARD TO E3 BOARD FLUSH WITH THE UNDERSIDE OF K4 BOARD USING HARDWARE AS SHOWN FIG. 1.

STARTING AGAINST E3 BOARD, ATTACH A K9-3 BOARD FLUSH WITH THE BOTTOM OF THE SP1 BOARD USING HARDWARE AS SHOWN.

FLUSH ALONG THE BOTTOM ATTACH THE A K9-3, THE (6) K9-5 BOARDS, AND THE OTHER K9-3 AND K9-4 BOARDS AS SHOWN.

USING L8 BOARD AS A GUIDE, USE A 3/8" DRILL BIT, PRE DRILL HOLE TO ATTACH HARDWARE AS SHOWN FIG. 2.

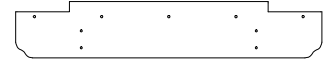




(2) **H3 - SERVING BOARD SUPPORT - W101606**
 1"x3 3/8"x3 3/8" (24x86x86)



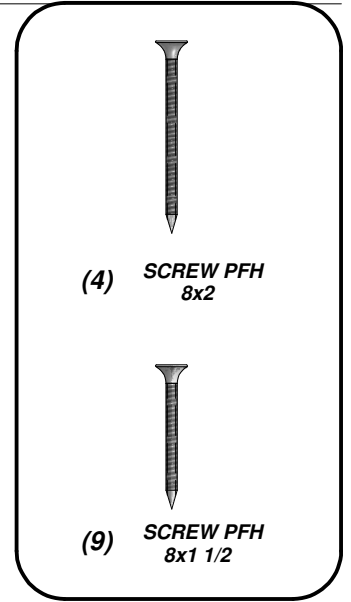
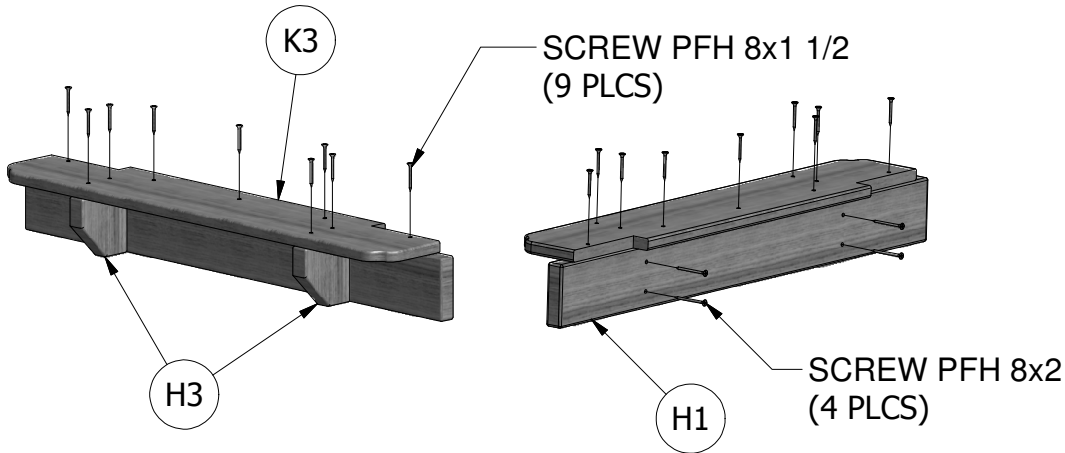
(1) **H1 - SERVING SHELF SUPPORT - W101604**
 1"x3 3/8"x30 3/4" (24x86x780)



(1) **K3 - SERVING BOARD - W101605**
 5/8"x5 1/4"x28 3/4" (16x134x729)

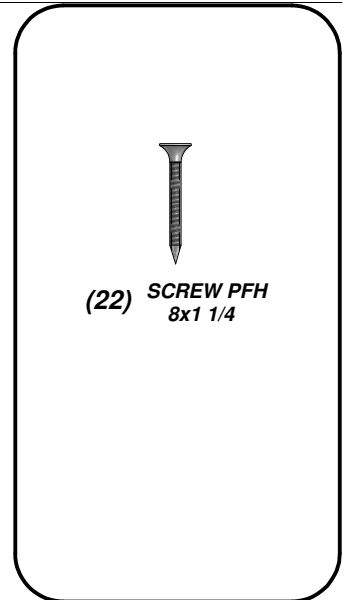
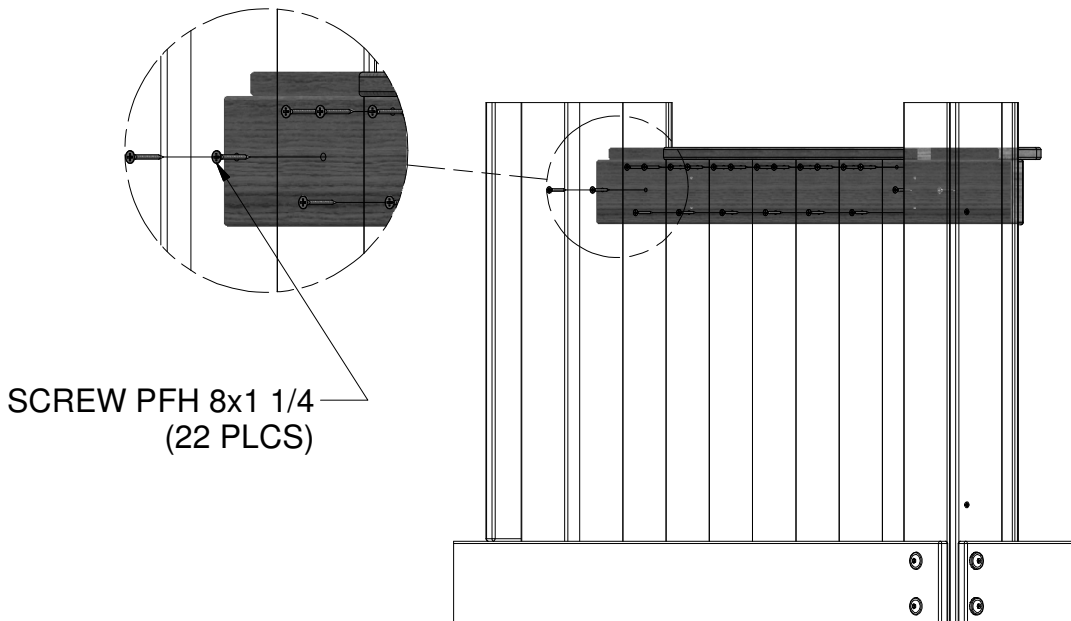
STEP 22

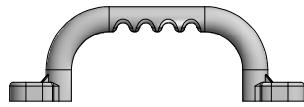
ATTACH H3 SHELF SUPPORTS TO K3 AND H1 BOARDS USING HARDWARE AS SHOWN THROUGH PRE DRILLED HOLES.



STEP 23

ATTACH THE SHELF BUILT IN THE PREVIOUS STEP TO THE K9-3, K9-4, AND K9-5 WALL BOARDS BY RESTING THE K3 BOARD ON TOP OF THE OPENING AND FASTENING WITH HARDWARE SHOWN THROUGH PRE DRILLED HOLES.





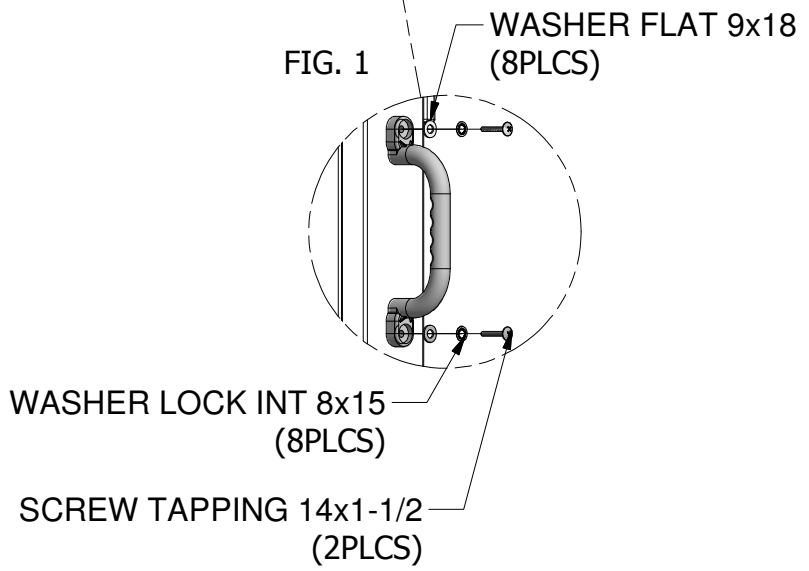
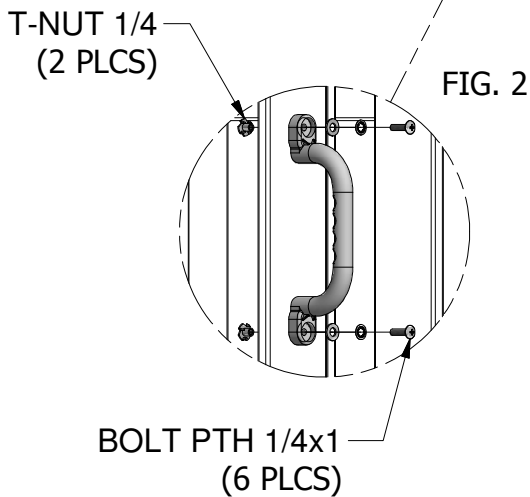
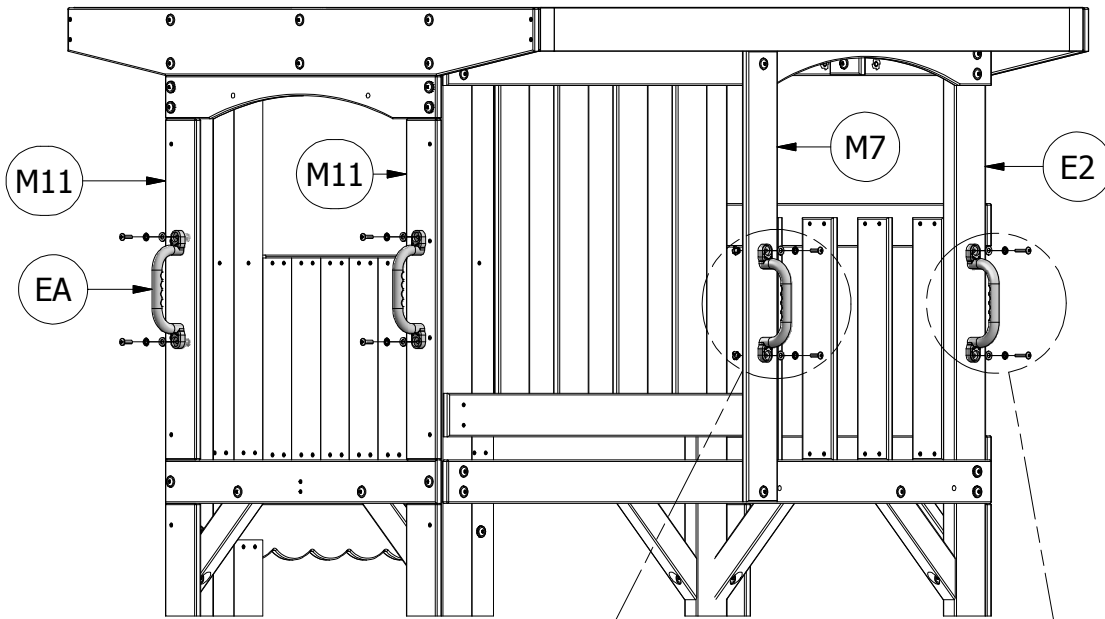
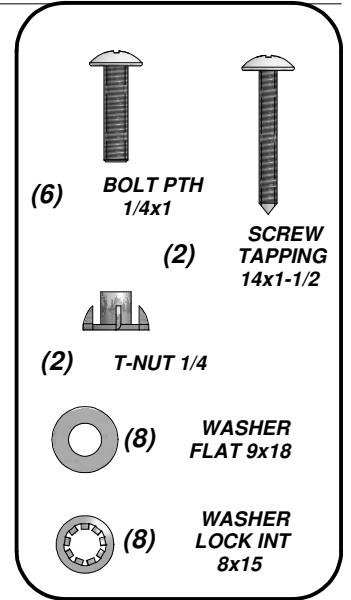
(4) EA - HAND GRIP YELLOW PLASTIC - A100043

STEP 24

ATTACH EA HANDLE TO E2 BOARD USING HARDWARE AS SHOWN (FIG. 1).

INSERT 1/4" T-NUTS INTO M7 BOARD AND ATTACH EA HANDLE AS SHOWN (FIG. 2).

ATTACH 2 EA HANDLES TO M11 BOARDS USING PREVIOUSLY INSERTED T-NUTS.



(2) **M2 - BENCH SEAT - W104044**
 5/8"x3 3/8"x27 3/8" (16x86x694)

(2) **H4 - BENCH SEAT SUPPORT - W104040**
 1"x3 3/8"x6 1/2" (24x86x166)

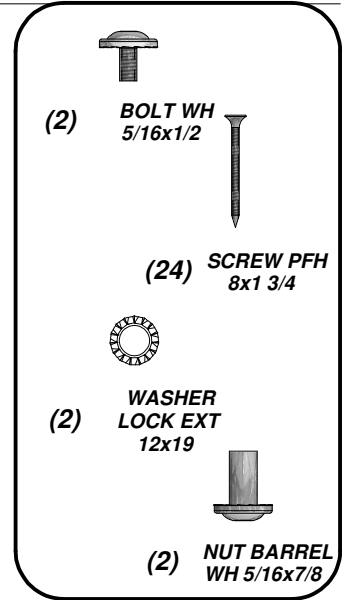
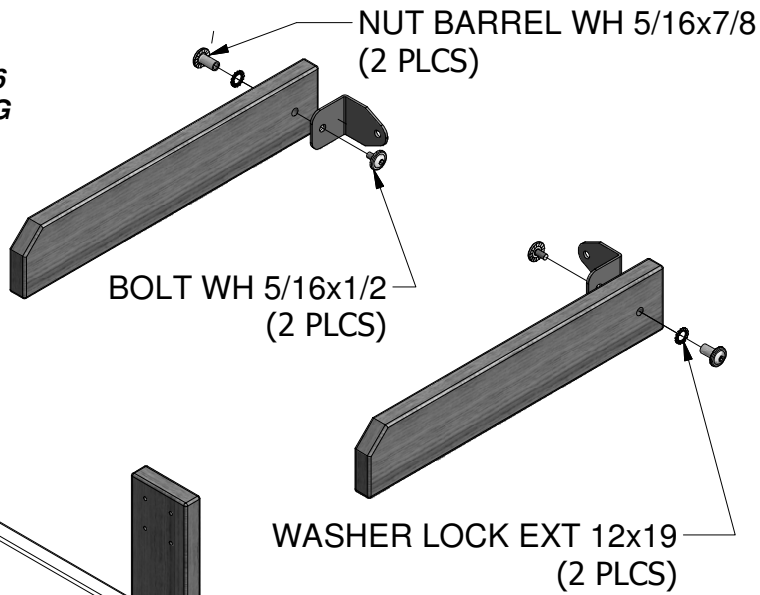
(2) **EJ - L BRACKET 54x67 - A100053**

(2) **H5 - BENCH UPRIGHT - W104041**
 1"x3 3/8"x11 3/4" (24x86x300)

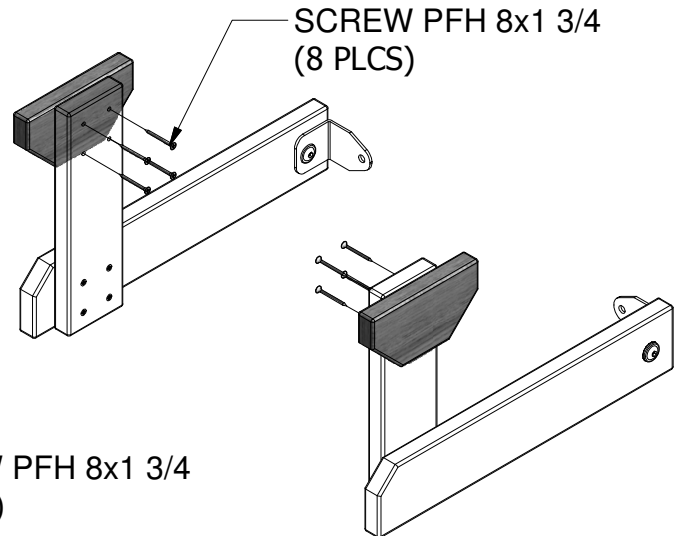
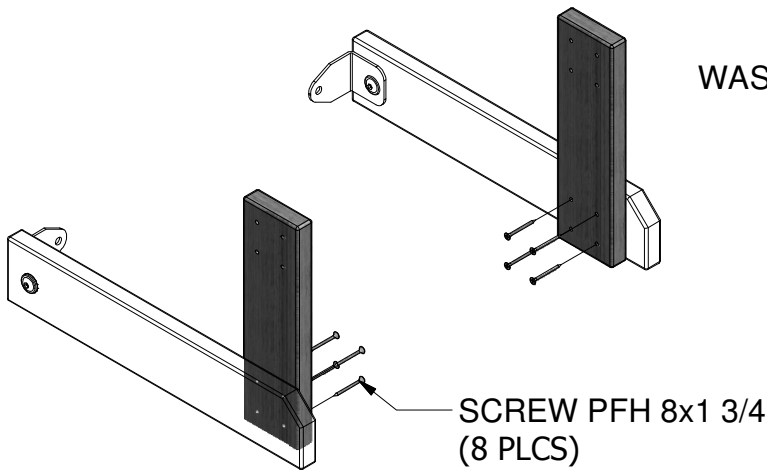
(2) **H6 - BENCH GROUND BOARD - W104042**
 1"x3 3/8"x18 1/8" (24x86x460)

STEP 25

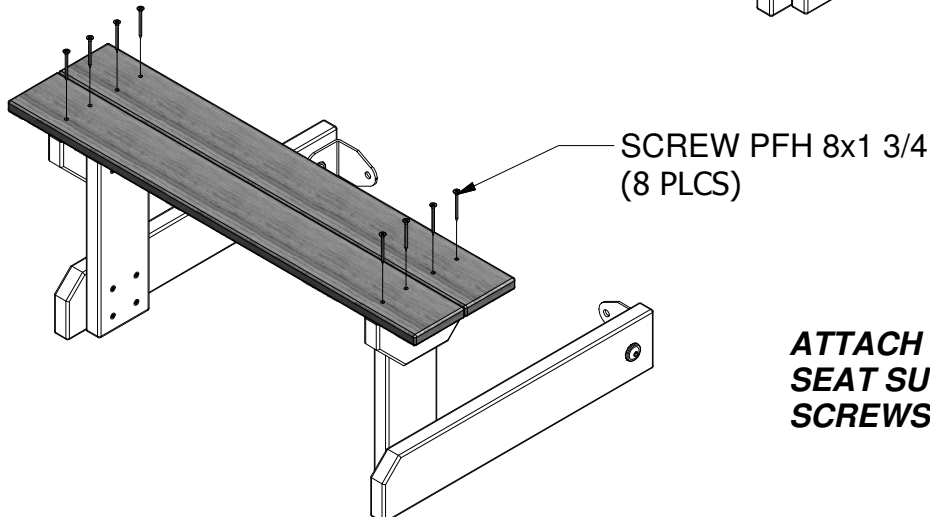
ATTACH (2) EJ BRACKETS TO H6 BENCH GROUND BOARDS USING (2) 1/2" BOLT, LOCK WASHERS AND 7/8" BARREL NUT, AS SHOWN.



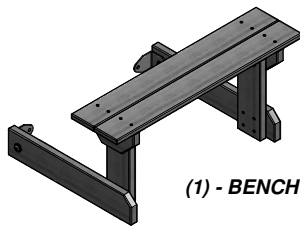
ATTACH H5 BENCH UPRIGHTS TO H6 BENCH GROUND BOARDS USING (8) 1-3/4" WOOD SCREWS, AS SHOWN.



ATTACH H4 BENCH SEAT SUPPORTS TO H5 BENCH UPRIGHTS USING (8) 1-3/4" WOOD SCREWS, AS SHOWN.



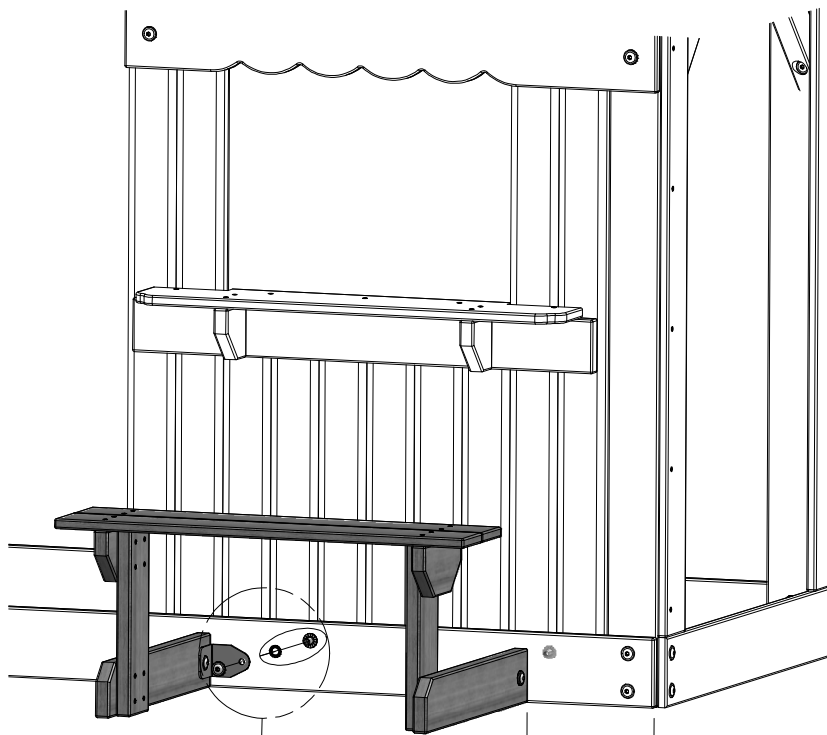
ATTACH M2 BENCH SEATS TO H4 BENCH SEAT SUPPORTS USING (8) 1-3/4" WOOD SCREWS, AS SHOWN.



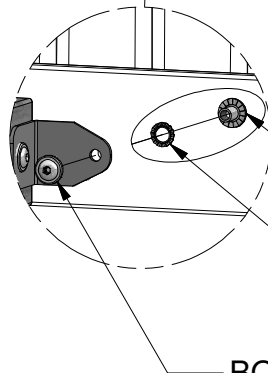
(1) - BENCH ASSEMBLY

STEP 26

USING BENCH ASSEMBLY BRACKETS AS A TEMPLATE, DRILL TWO 3/8" THRU HOLES AND ATTACH EJ BRACKET TO L2 GROUND BOARD USING (2) 1/2" BOLTS, LOCK WASHERS AND 5/8" BARREL NUTS, AS SHOWN.



7-1/2" BENCH LOCATION



NUT BARREL WH 5/16x5/8
(2 PLCS)

WASHER LOCK EXT 12x19
(2 PLCS)

BOLT WH 5/16x1/2
(2 PLCS)



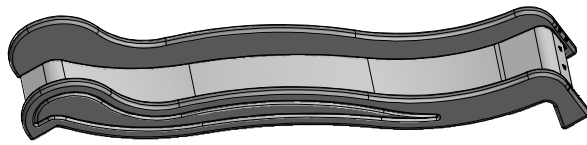
(2) BOLT WH
5/16x1/2



(2) WASHER
LOCK EXT
12x19



(2) NUT BARREL
WH 5/16x5/8



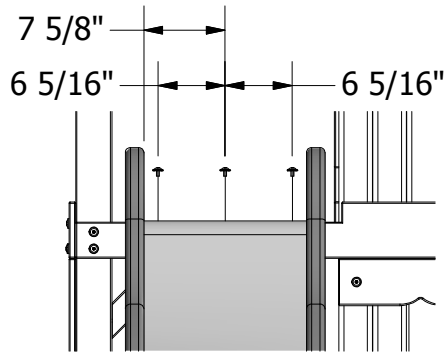
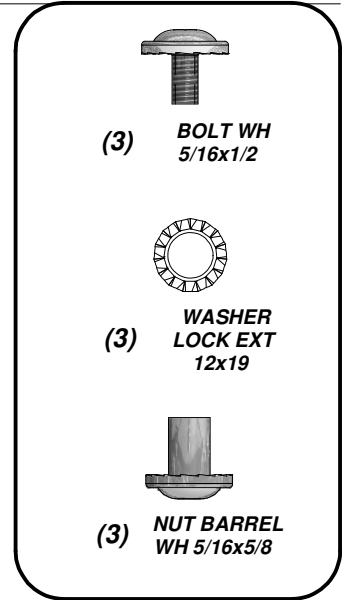
(1) - SLIDE ASSEMBLY

STEP 27

CENTER THE WAVE SLIDE ASSEMBLY IN OPENING, AS SHOWN.

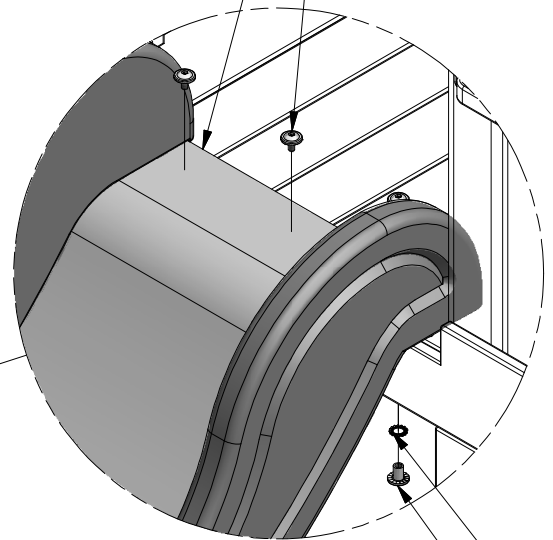
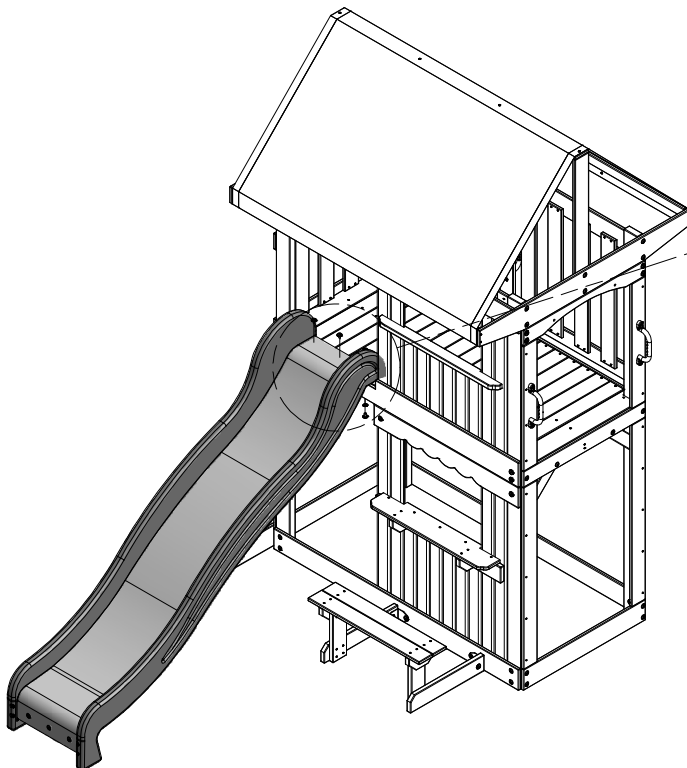
USING A 3/8" DRILL BIT, DRILL THREE THROUGH HOLES INTO THE SLIDE BED AND DECK BOARDS, AS SHOWN BELOW.

ATTACH THE SLIDE ASSEMBLY TO THE DECK USING (3) 1/2" BOLTS, LOCK WASHERS AND 5/8" BARREL NUTS, AS SHOWN.



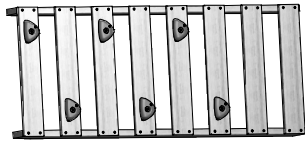
HOLES SHOULD BE APPX 1-1/2" FROM BACK OF SLIDE

BOLT WH 5/16x1/2
(3 PLCS)



NUT BARREL WH 5/16x5/8
(3 PLCS)

WASHER LOCK EXT 12x19
(3 PLCS)

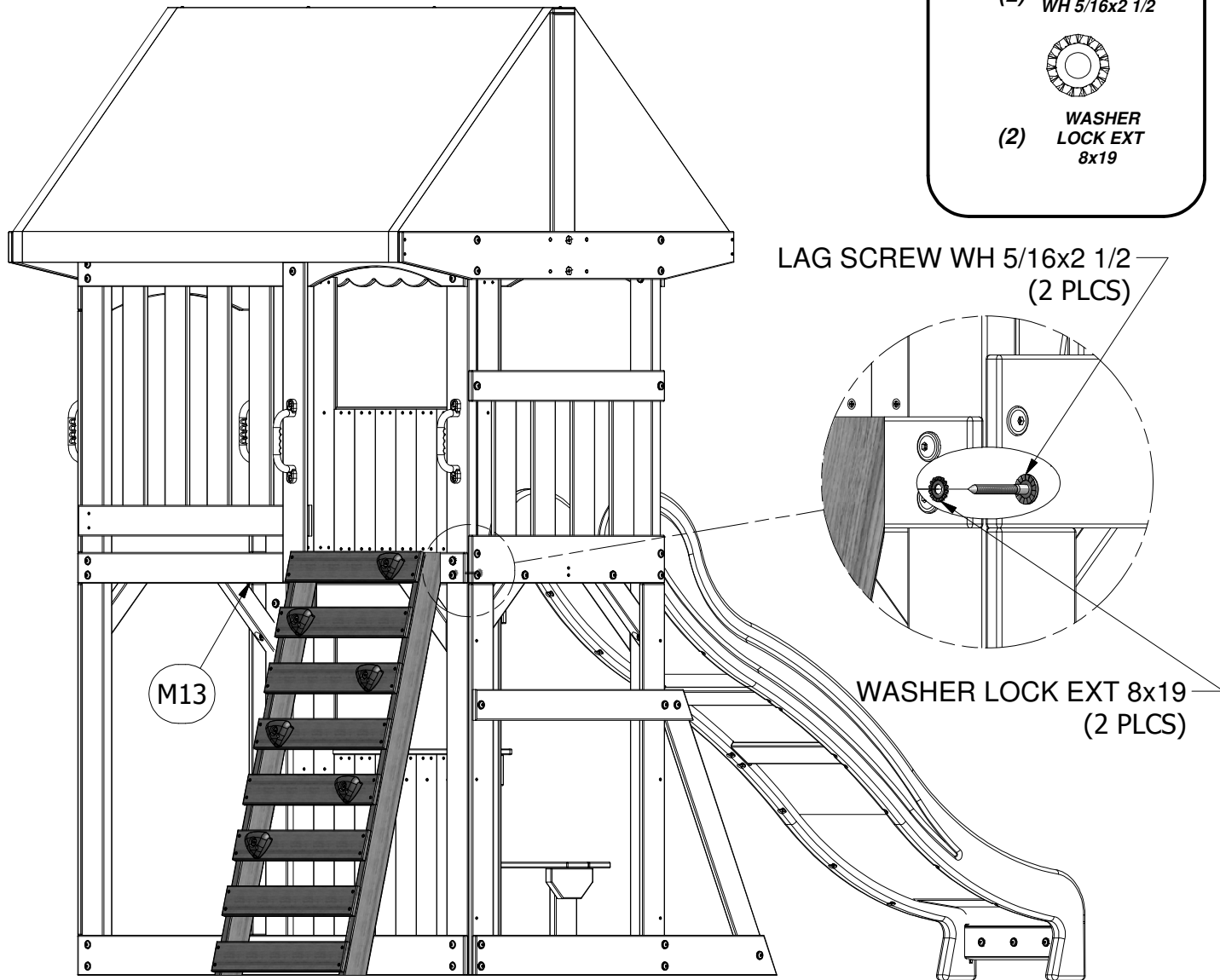
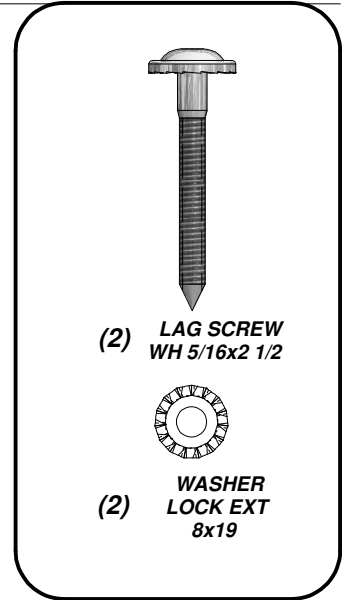


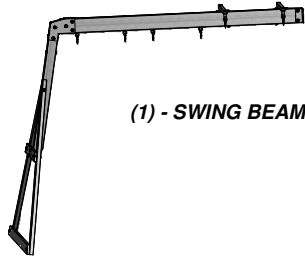
(1) - ROCK LADDER ASSEMBLY

STEP 28

CENTER LADDER ON 'M13' BOARD AND PILOT DRILL 3/16" HOLES FOR LADDER ATTACHMENT.

ATTACH THE ROCK LADDER ASSEMBLY TO M13 FLOOR RAIL SUPPORT USING (2) 2-1/2" LAG SCREWS AND LOCK WASHERS, AS SHOWN.





(1) - SWING BEAM ASSEMBLY

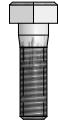
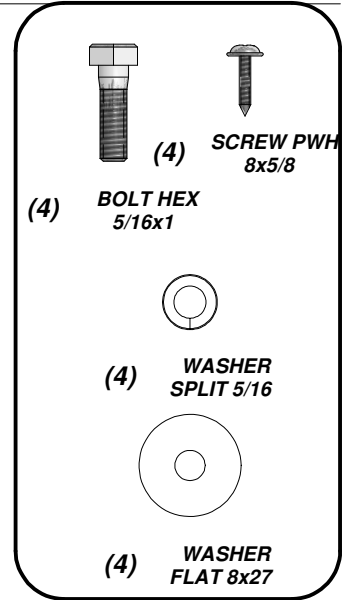


(1) HC - BYD ID TAG (LARGE) 2011 WITH AGES - A100164

STEP 29

ATTACH SWING BEAM ASSEMBLY TO K1 ROOF SWING BEAM SUPPORT USING (4) 1" BOLTS, SPLIT WASHERS AND FLAT WASHERS, AS SHOWN BELOW.

ATTACH HC I.D. TAG TO SB74 SWING BEAM USING (4) 5/8" PFH SCREWS, AS SHOWN.



(4)

**BOLT HEX
5/16x1**

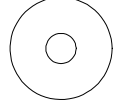


**SCREW PWH
8x5/8**



(4)

**WASHER
SPLIT 5/16**



(4)

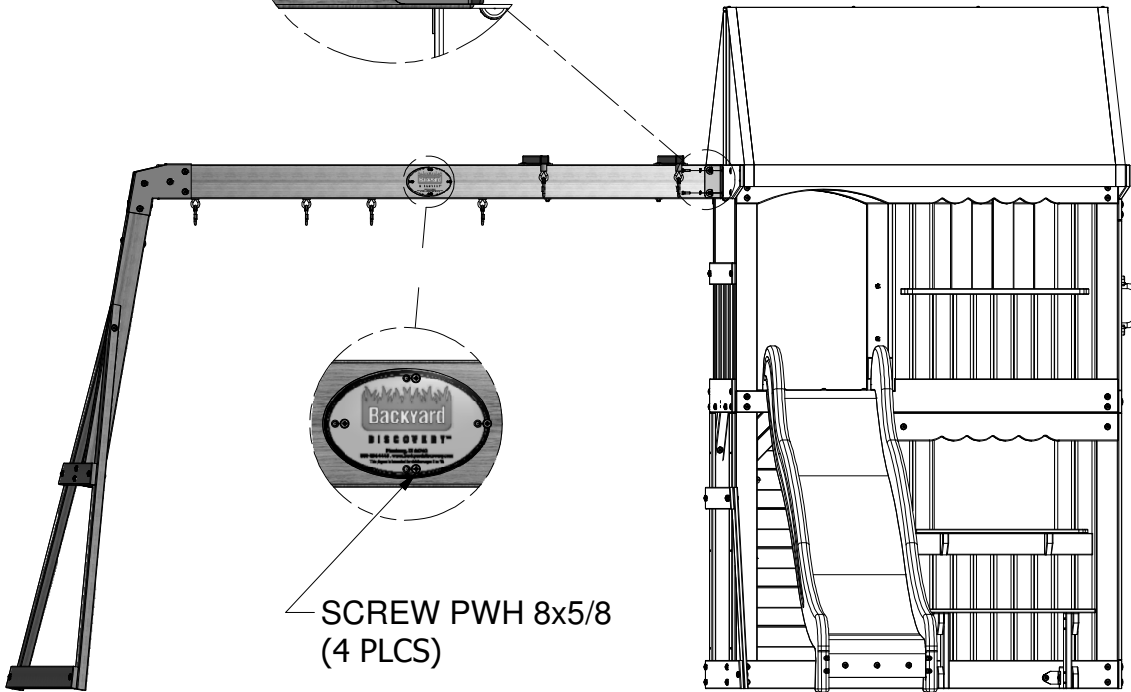
**WASHER
FLAT 8x27**

**BOLT HEX 5/16x1
(4 PLCS)**

**WASHER SPLIT 5/16
(4 PLCS)**

**WASHER FLAT 8x27
(4 PLCS)**

**SCREW PWH 8x5/8
(4 PLCS)**

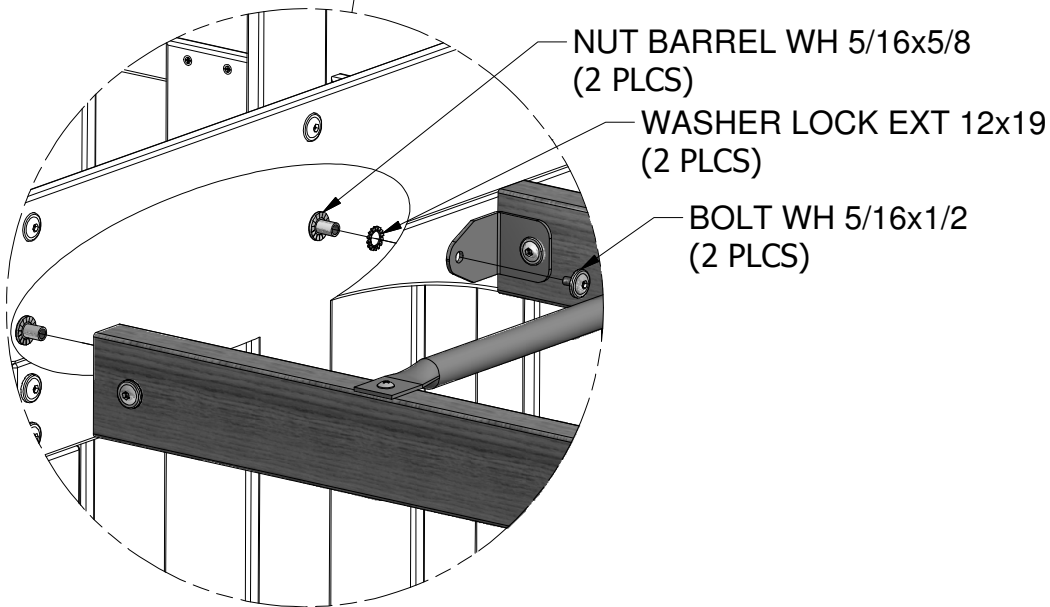
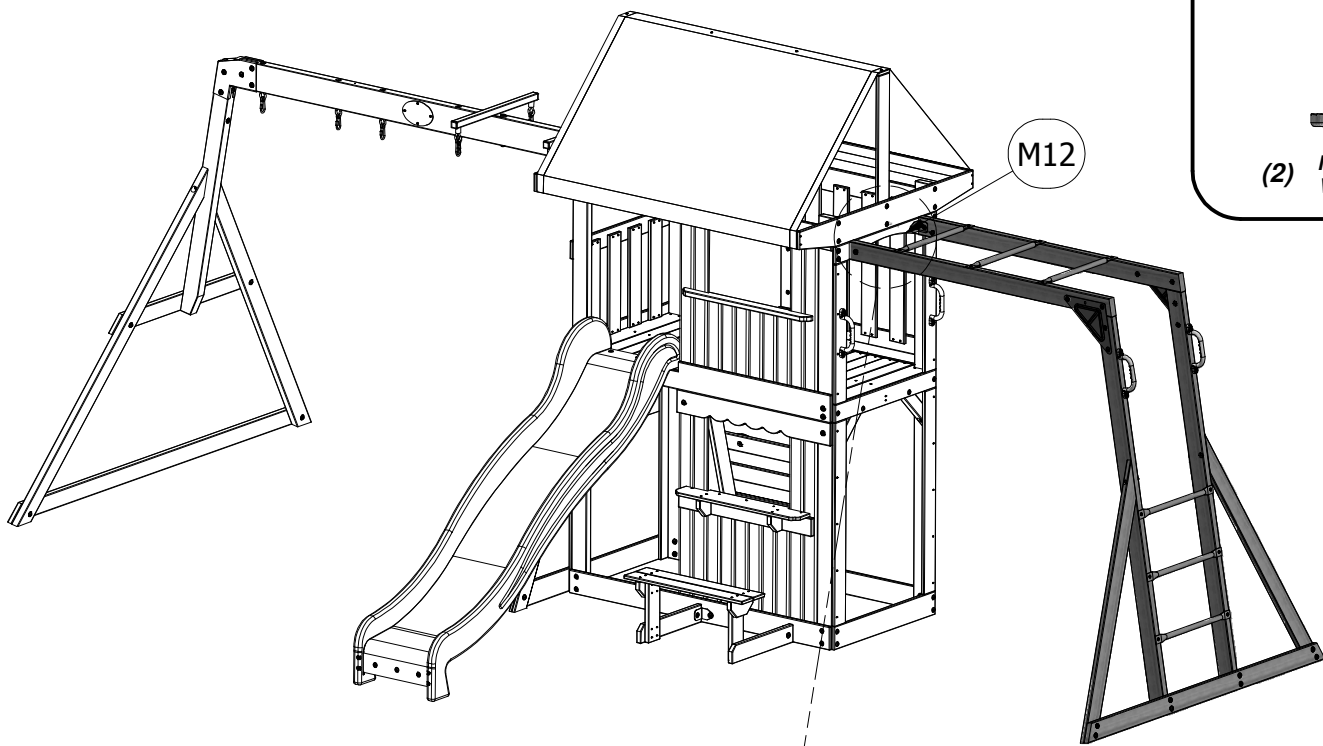
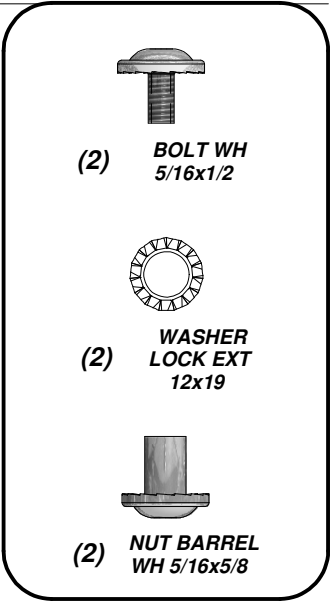


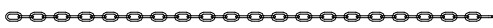


(1) - MONKEY BAR ASSEMBLY

STEP 30

ATTACH MONKEY BAR ASSEMBLY TO M12 ARCH BOARD USING HARDWARE AS SHOWN.





(4) EZ - CHAIN GREEN 51.25" - A100068



(2) FB - SWING SEAT YELLOW - A100070



(4) JD - CHAIN GREEN 45" - A100092



(1) DN - GLIDER SEAT DARK GREEN - A100025

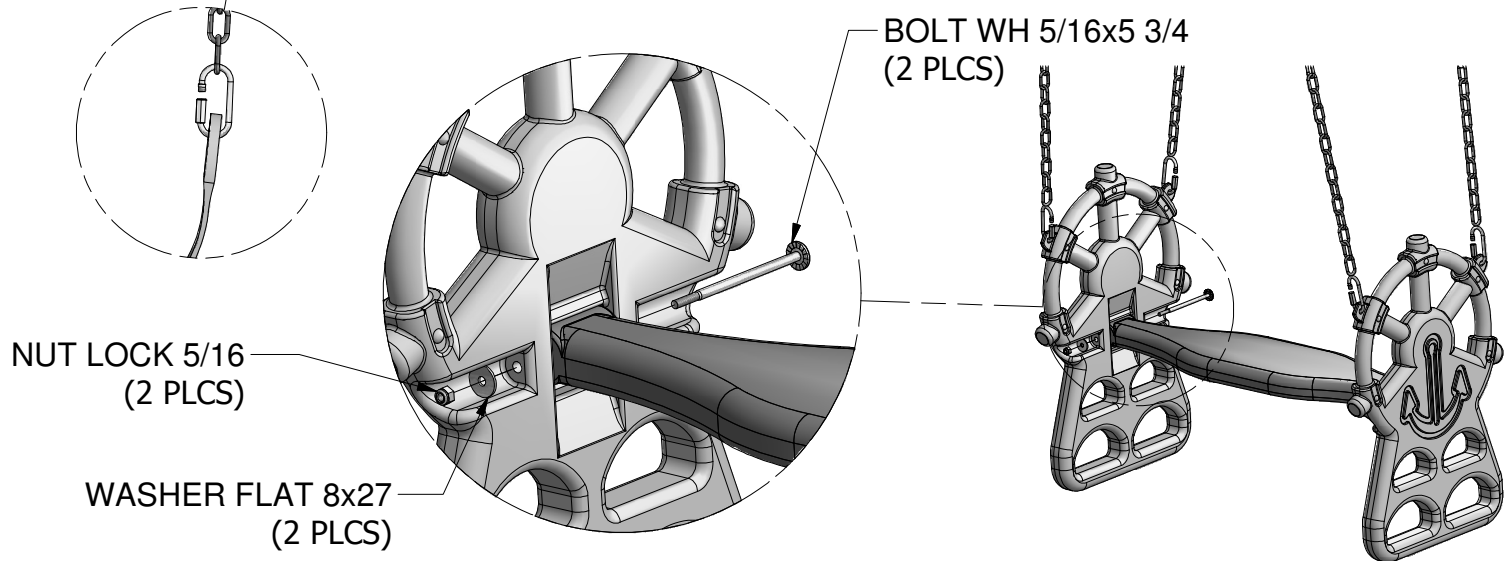
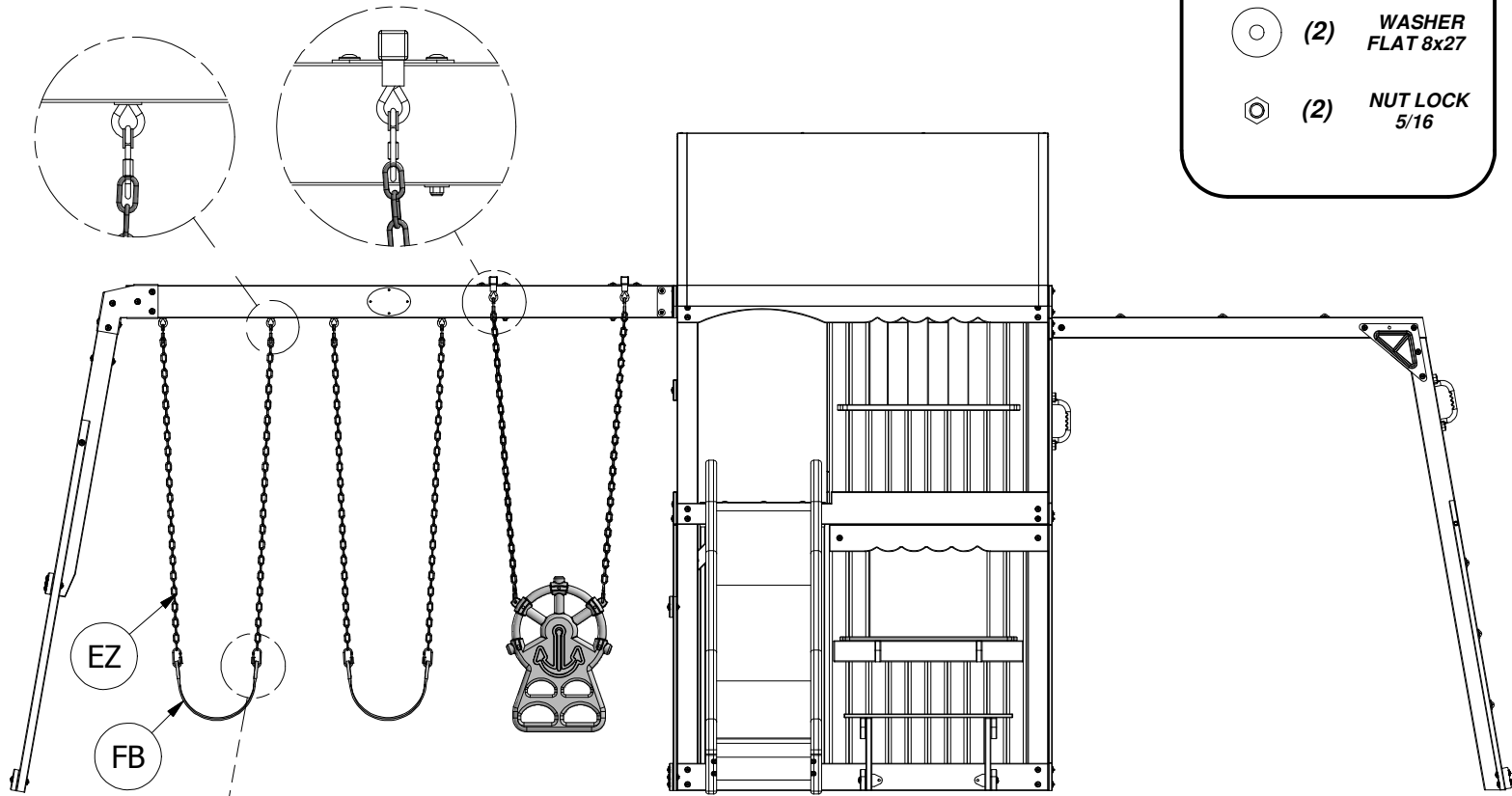
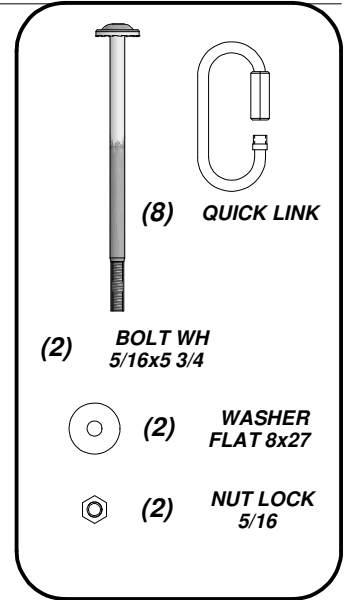
(2) DO - CAPTAINS GLIDER ARM YELLOW - A100026

STEP 31

ATTACH FB SWING SEAT TO (2) EZ CHAINS USING (2) FA QUICK LINKS, AS SHOWN. REPEAT PROCESS TO ASSEMBLE SECOND SWING ASSEMBLY. NOW, ATTACH EZ CHAINS TO SWING HANGER QUICK LINKS ALREADY ASSEMBLED TO THE SWING BEAM.

ATTACH (2) DO CAPTAINS GLIDER ARMS TO DN GLIDER SEAT USING 5 3/4 BOLTS WITH FLAT WASHERS AND LOCK NUTS AS SHOWN

ATTACH (4) JD CHAINS TO SWING HANGER QUICKLINKS ALREADY ASSEMBLED TO THE SWING BEAM AND ATTACH CAPTAINS GLIDER.



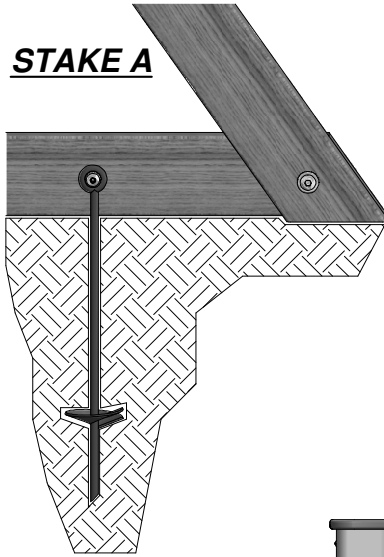


(8) KC - METAL GROUND STAKE BROWN - A100178

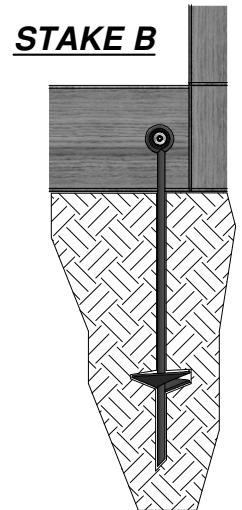
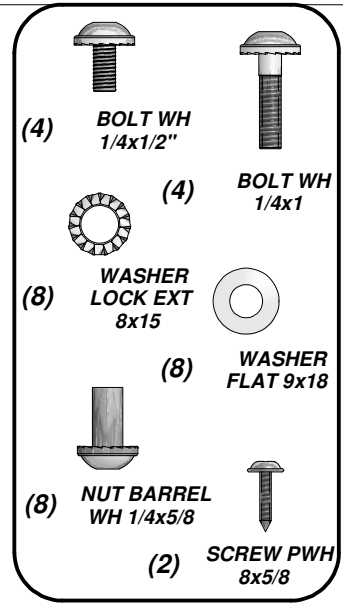
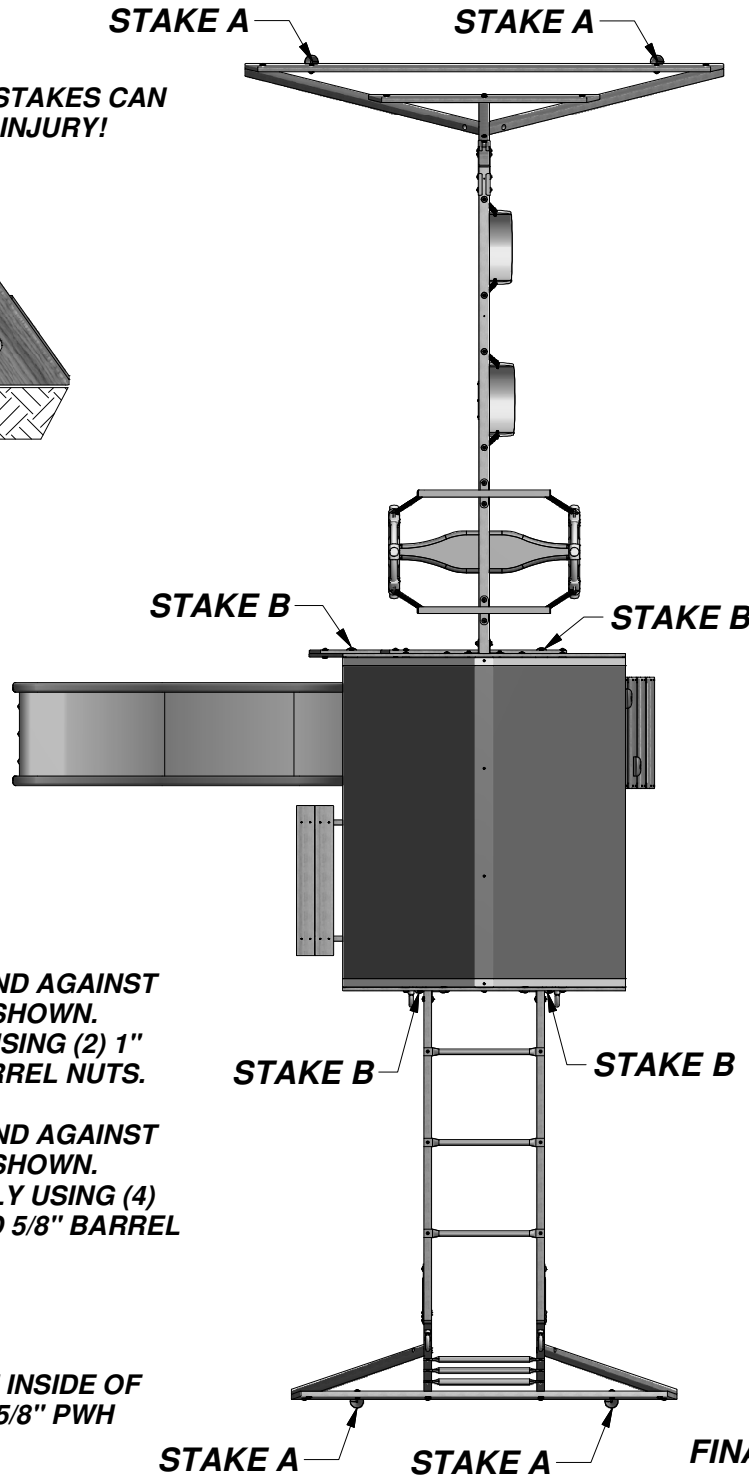
(1) SR - "B" REVISION TAG - A100315

Anchoring Instructions

NOTE:
FAILURE TO USE GROUND STAKES CAN VOID WARRANTY & CAUSE INJURY!



STAKE A



STAKE B

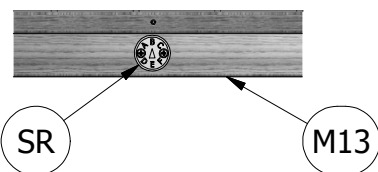
STEP 32

TWIST STAKES INTO GROUND AGAINST GROUND BOARDS WHERE SHOWN. ATTACH GROUND BOARD USING (2) 1" BOLTS, WASHERS AND BARREL NUTS.

TWIST STAKES INTO GROUND AGAINST GROUND BOARDS WHERE SHOWN. ATTACH TO FORT ASSEMBLY USING (4) 1/2" BOLTS, WASHERS, AND 5/8" BARREL NUTS, AS SHOWN.

STEP 33

ATTACH SQ I.D. TAG TO THE INSIDE OF M13 FLOOR RAIL USING (2) 5/8" PWH SCREWS, AS SHOWN.



FINAL STEP

DOUBLE CHECK EVERY BOLT, SCREW AND NUT FOR TIGHTNESS. MAKE SURE EVERY BOARD IS SECURE AND MAKE SURE THE PLAY SET IS LEVEL.

ENJOY YOUR NEW PLAY SET!

WARRANTY

AUSTRALIAN CONSUMER LAW

Many of our products come with a guarantee or warranty from the manufacturer. In addition, they come with guarantees that cannot be excluded under the Australian Consumer law. You are entitled to a replacement or refund for a major failure and compensation for any other reasonably foreseeable loss or damage.

You are entitled to have the goods repaired or replaced if the goods fail to be of acceptable quality and the failure does not amount to a major failure. Full details of your consumer rights may be found at www.consumerlaw.gov.au

Please visit our website to view our full warranty terms and conditions:

<http://www.lifespankids.com.au/Warranty-Policy-Kids>

Please send all warranty and support inquiries through our ticketing system via the email address:

support@lifespankids.com.au.