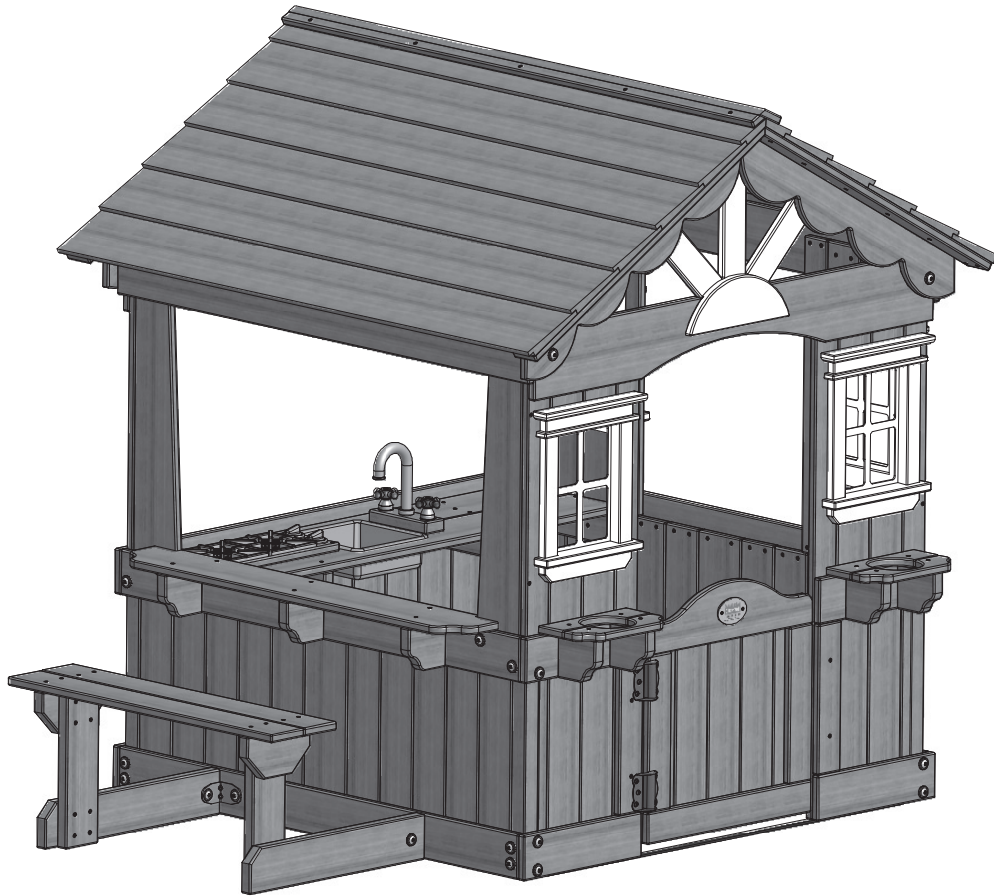


SCENIC

Play House

Model: #36013



- Owner's Manual
- Frequently Asked Questions
- Assembly Instructions
- Warranty Information

Features the **SAFE-T-FUSE** fastening system.
Patent Pending

Save this assembly manual for future reference in the event that you need to order replacement parts.

Adult Assembly Required.
Not suitable for children under two years,
due to sharp points and small parts.

Made in China

GENERAL SAFETY INSTRUCTIONS

PURPOSE

This product is intended for outdoor, domestic use only. It is not suitable for commercial or medical use.

DANGER FOR CHILDREN

- **WARNING! No eating while using the product**
- This product may only be used with adult supervision at all times.
- The packaging material is not suitable for children due to choking and suffocation hazards.

RISK OF INJURIES

- Do not use the product if it is damaged or defective. If it is damaged or defective, please contact a qualified technician.
- Check the product before each use. Defective parts must be changed immediately as they can impair the function and the safety of the product.
- No more than one person per swing or per attachment.
- Use the product only on even and non-slipping surfaces. Never use it near water and keep sufficient space around for safety.

PRODUCT DAMAGE

- Do not make alterations to the product. Only use original spare parts. Qualified technicians should only carry out repairs – improper repairs can lead to danger for the user. Use this product only as described in this manual.
- Protect the product against splashes, humidity, high temperature and direct sunlight.

ASSEMBLY ADVICE

- The assembly of the product must be done carefully and by an able-bodied adult. If in any doubt, ask a technically qualified person.
- Before you start with the assembly, read the instructions carefully.
- Remove all packaging materials and lay down all parts on an open space. This gives you an overview and simplifies the assembly procedure.
- Check with the parts list that all parts are available. Dispose of the packaging material when the assembly is completed.
- Beware that when using tools or doing technical work, there is always a risk of injuries. Assemble the product with care.
- Create a danger free environment; for example, do not let tools lay around the workspace. Store the packaging material in a way that cannot cause any danger.
- After installing the product according to the instruction manual, ensure all screws, bolts and nuts are correctly installed and tightened and that all joints are secure.
- Reasonable space must be kept between the product and possible sources of danger, such as other equipment swimming pools and fences.
- The product must be assembled correctly before use.
- Place the product on a level surface at least 2 m from any structure or obstruction such as a fence, garage or house.
- No modifications are to be made to the original product.
- The product must always be used in a well-lit area.
- Do not place anything under the product.
- Use gloves during assembly and disassembly.
- Outdoor products should be equipped with a device that in strong wind conditions avoid displacement due to wind (e.g. steel bars in the ground or loads like sand bag or water bags).

- In certain areas during winter, snow buildup and the low temperatures can damage the product. It is recommended to remove snow buildup and to store the product indoor.
- We strongly recommend visual inspections every 3 months to insure the integrity of the entire product. Replace any parts as necessary.

SAFETY INSTRUCTIONS

- The safety instructions of the product should always be considered and obeyed.
- Using the product may result in permanent injury such as paralysis, or even death. Falling off the product may lead to injuries, particularly to the back, neck or head.
- No clothes with hooks or lose parts should be worn or carried during product usage in order to avoid hooks getting caught and causing injury.
- Moving the product whilst assembled may affect the integrity of the frame. Should it be necessary to move the product, please consider the following:
 - 1.) Force to be evenly spaced around the frame to lift the product off the ground
 - 2.) The product must be carried horizontally
 - 3.) Use caution whilst moving as it could bend the product frame.
- Users should be familiar with the assembly manual. This manual contains assembly guidance; selected precautionary measures as well as recommendations for servicing and maintenance of the product, in order to ensure safe and fun usage.
- It is the responsibility of the owner or the supervisor to guarantee that all users of the product are informed sufficiently of all warning references and safety instructions.

For the supervisor:

The supervisor's role is to make sure users are aware of all safety precautions and that these precautions are enforced. When a supervisor is not available, the product may be disassembled or covered to limit access.

- The product can be only used if it is in good condition, worn or damaged parts should be replaced.
- Objects, which could be dangerous to the user, should be away from the product
- Avoid unauthorized and unsupervised use of the product.
- Do not use the product under influence of alcohol or drugs (incl. medicines).
- Do not use the product or its attachments as a jumping platform.

Consumer Information Sheet for Playground Surfacing Materials

The US Consumer Product Safety Commission (CPSC) estimates that about 100 000 playground equipment-related injuries resulting from falls to the ground surface are treated annually in US hospital emergency rooms. Injuries involving this hazard pattern tend to be among the most serious of all playground injuries, and have the potential to be fatal, particularly when the injury is to the head. The surface under and around playground equipment can be a major factor in determining the injury-causing potential of a fall. It is self-evident that a fall on to a shock-absorbing surface is less likely to cause a serious injury than a fall onto a hard surface. Playground equipment should never be placed on hard surfaces, such as concrete or asphalt, and while grass may appear to be acceptable, it may quickly turn to hard-packed earth in areas of high traffic. Shredded bark mulch, wood chips, fine sand or the gravel are considered to be acceptable shock absorbing surfaces when installed and maintained at a sufficient depth under and around playground equipment.

Table B.1 lists the maximum height from which a child would not be expected to sustain a life-threatening head injury in a fall on to four different loose-fill surfacing materials if they are installed and maintained at depths of 150 mm, 225 mm and 300 mm.

Table B.1: Fall height in millimetres from which a life-threatening head injury would not be expected

Type of Material	Depth of surfacing material		
	150mm	225mm	300mm
Double Shredded Bark Mulch	1800	3000	3300
Wood Chips	1800	2100	3600
Fine Sand	1500	1500	2700
Fine Gravel	1800	2100	3000

However, it should be recognised that all injuries due to falls cannot be prevented, no matter what surfacing material is used.

It is recommended that a shock absorbing material extend a minimum of 1 800 mm in all directions from the perimeter of stationary equipment such as climbing frames and slides. However, because children may deliberately jump from a moving swing, the shock absorbing material should extend in the front and rear of a swing a minimum distance of twice the height of the pivot point measured from a point directly beneath the pivot on the supporting structure.

This information is intended to assist in comparing the relative shock-absorbing properties of various materials. No particular material is recommended over another. However, each material is only effective when properly maintained. Materials should be checked periodically and replenished to maintain correct depth as determined necessary for the equipment in question. The choice of a material depends on the type and height of the playground equipment, the availability of the material in a particular area, and its cost.

WOOD ADVICE

Our products are manufactured from premium timber. Great care is taken in selecting, machining and treating the timber before it is sold to you.

1. Inspect wood parts monthly. The grain of the wood sometimes will lift in dry periods causing splinters to appear. Light sanding may be necessary to maintain a safe environment. Treating your Product with protection (sealant) after sanding will help prevent severe checking/splitting and other weather damage.
2. We have applied a waterborne translucent stain to your unit. This is done for colour only. Once or twice a year, depending on your climate conditions, you must apply some type of protection (sealant) to the wood of your unit. Prior to the application of sealant, lightly sand any "rough" spots on your set. Please note this is a requirement of your warranty.

Bear in mind that timber is a natural product and may experience changes throughout the course of its life.

It may:

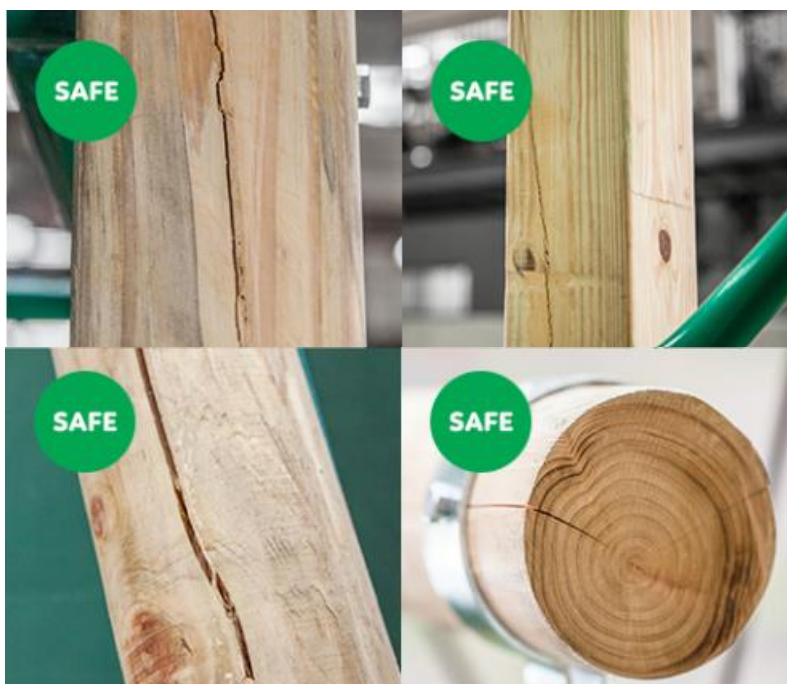
- Develop openings/checks (gaps, slits, apertures, cracks) along the line of the grain.
- Fade as the timber reacts with sunlight.

All woods are hygroscopic, that is, it will absorb or discharge moisture to attain equilibrium with the surrounding atmosphere. Timber openings/checks occur due to the moisture content between internal and outer surfaces of the timber. No two pieces of wood are exactly alike. Each piece has its own characteristics and personality and reacts differently to climate changes. When any wood products are exposed to the elements, it develops 'wood checks'. A check is the radial separation of the wood fibres running with the grain of the wood. These are caused by the varying temperature and moisture conditions. A check does not affect the strength or durability of the wood or structural integrity of the play set.

When should wood cracks be a concern?

Most of the wood splits will never become large enough to affect the reliability and strength of our products, however, there can be rare cases where splits can occur. This happens when a crack develops past the halfway point from the timber, splitting it into two separate pieces.

Feel free to contact us with detailed pictures of your product so we can assess and ensure that your playground remains safe.



Dimensional timbers contain very little heart wood so less splits can be seen.

Round pole swing sets are very thick so that cracks (shown left) will not affect the strength and durability of our swing sets.

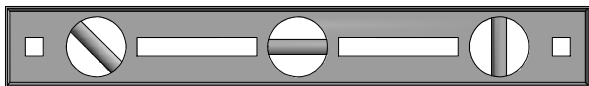
For more information: <http://www.lifespankids.com.au/natural-timber>

Play House Assembly Manual FAQs:

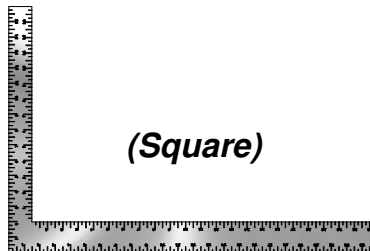
1. Does the area for the play house need to be level? Yes. We recommend the play house be positioned on a flat level area for maximum safety and durability. Any stakes provided should be used to secure it firmly to the ground.
2. What size area is recommended for the play house? We recommend at least a 6' (six foot) perimeter around and above the play house for maximum safety.
3. What age range is appropriate for the play houses? The play houses are recommended for children ages 2 – 10 years.
4. Is the wood treated with chemicals? Backyard Discovery uses 100% Chinese Cedar wood which is naturally bug resistant, decay and rot resistant. To help ensure your child's safety, our wood is completely chemical free and we do not use pressure-treated wood. The stain we use is a top coat using a water-based product that is for appearance only.
5. How often should the play house be stained? We recommend the play house be stained once each year. A water or oil based stain can be used at the customer's discretion.
6. Why does it seem that my play house is developing cracks? Wood is a natural material; no two pieces are exactly alike. Each piece has its own characteristics and personality and reacts differently to climate changes. When any wood product is exposed to the elements, it develops "wood checks". A check is the radial separation of the wood fibers running with the grain of the wood. These are caused by the varying temperature and moisture conditions. A check is not a crack – it does not affect the strength or durability of the wood or structural integrity of the play house.
7. What is the best way to get started assembling the play house? We recommend taking all the parts out of the boxes and arranging them by part number before you begin any assembly. This will not only allow faster assembly, but will also identify any parts that may be missing or damaged so they can be replaced before assembly.
8. The play house seems to rock or sway too much. What's wrong? Rocking is caused by uneven ground or obstructions such as rocks, roots, etc. under the ground rails. These should be removed and the ground underneath re-leveled to prevent rocking. Also ensure the play house is securely staked to the ground using any stakes provided.
9. The 2"x4" boards do not measure 2"x 4". Why not? It is common practice to describe lumber dimensions using the rough cut sizes from the sawmill and not the finished dimensions. Retailers, home stores, etc. all use this accepted practice for describing lumber dimensions. However, Backyard Discovery play houses are designed and constructed using the actual dimensions so everything fits properly and remains so during the life of the play house.

Tools Required for Installation:

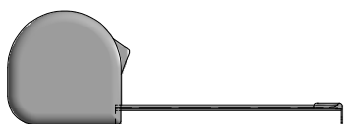
(These are the tools that are generally required for assembly of our outdoor products. These tools are not included with the outdoor product purchase.)



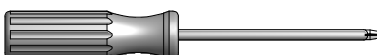
(Level 24")



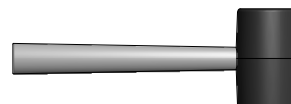
(Square)



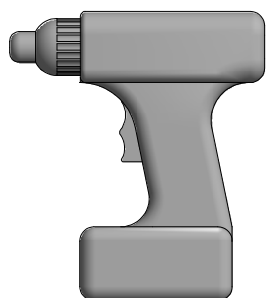
(Tape Measure)



(Phillips Screw Driver)



(Rubber Mallet - Optional)



(Cordless Drill or Electric Drill)



(3/16" & 1/8" Drill Bits)



***(Drill Attachments:
Phillips Head)***



(An Adult w/ an Adult Helper)

SAFETY AND ASSEMBLY INFORMATION

SELECTING THE CORRECT LOCATION FOR YOUR PLAY PRODUCT IS IMPORTANT FOR YOUR CHILDREN'S SAFETY AND THE PRODUCT'S LONGEVITY

Dimensions:

- The Scenic has one layout option.

Layout	Ground Dimension	Safe Play Area*
	5'-4 1/2" x 4'-2 1/2" x 4'-7" Tall	17'-4 1/2" x 16'-2 1/2"

*Level Ground Surface - See below

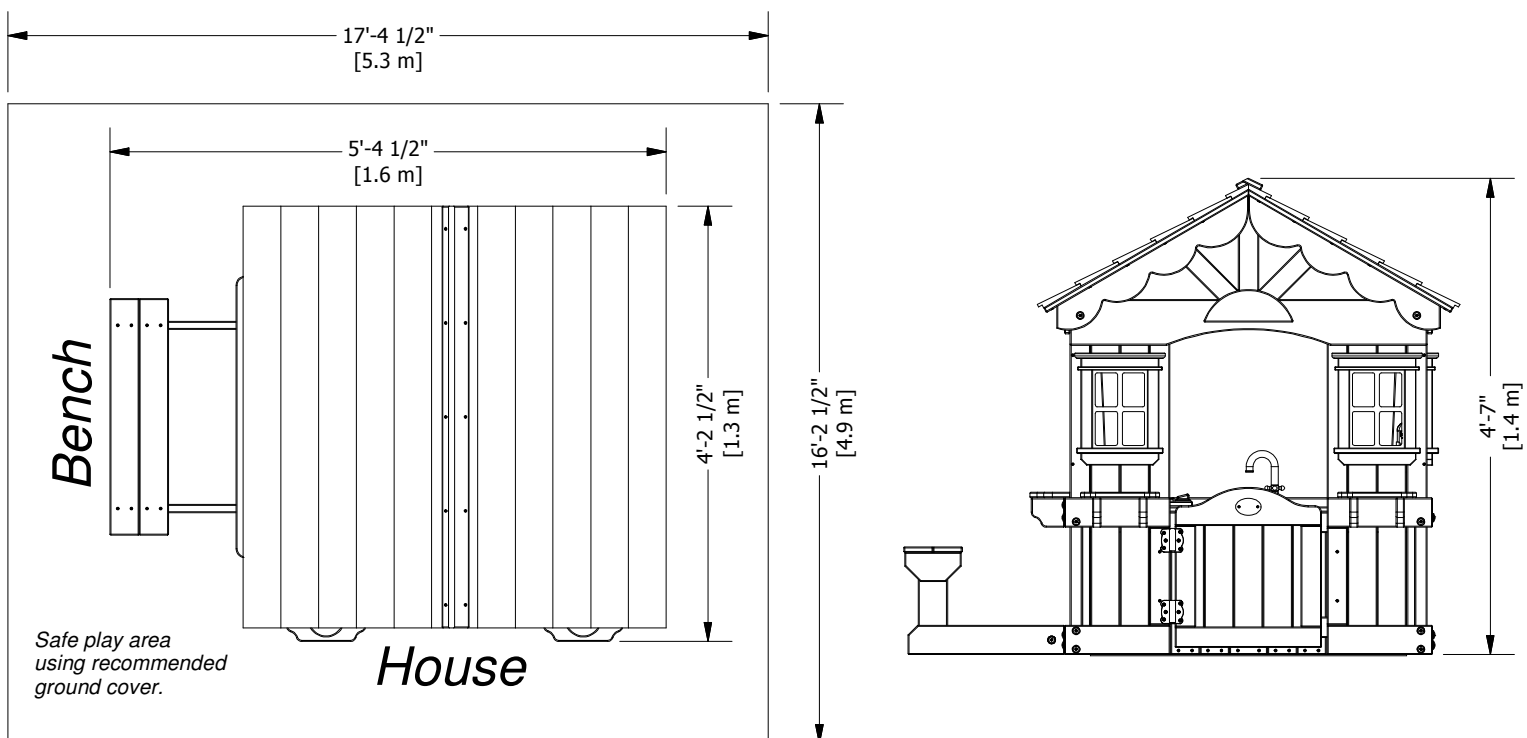
General Information:

Your set has been designed and engineered for children only and for residential use only. A maximum of 150 lbs. per child is recommended for play activities designed for individual use. A maximum of 120 lbs. per child is recommended for play activities designed for multiple child use. A maximum of 6 children is recommended for this unit.

Safe Play Area:

- The safe play area refers to a zone extending 6' beyond the play product on all sides, including the space above the play product.
- The ground surface **must be level**. Installing your play product on sloping ground can cause it to lean or "rack". This leaning puts additional stress on all connections and joints and in time will cause those connections to loosen and fail.
- The safe play area must be free of all structures, landscaping, trees and branches, rocks, wires, and other obstacles to safe play. Children can be seriously injured running or swinging into these obstacles.
- Remove all tripping hazards from the safe play area. Tripping hazards include: roots, stumps, rocks, landscaping, sprinkler heads, railroad ties, plumbing and electrical connections.
- Play product needs to be installed on solid ground.

SAFE PLAY AREA DIAGRAM



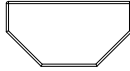
Parts Identification

Wood Components

(NOT TO SCALE)



- (7) **H1 - SHELF SUPPORT - W103891**
1"x3 3/8"x3 7/8" (24x86x98)



- (2) **H4 - BENCH SEAT SUPPORT - W104040**
1"x3 3/8"x6 1/2" (24x86x166)



- (2) **H5 - BENCH UPRIGHT - W104041**
1"x3 3/8"x11 3/4" (24x86x300)



- (2) **H6 - BENCH GROUND BOARD - W104042**
1"x3 3/8"x18 1/8" (24x86x460)



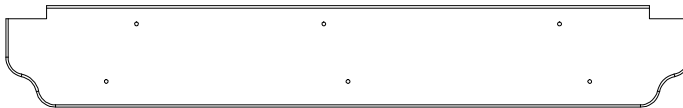
- (1) **J1 - SHELF SUPPORT - W103895**
1"x2 3/8"x38 3/8" (24x60x976)



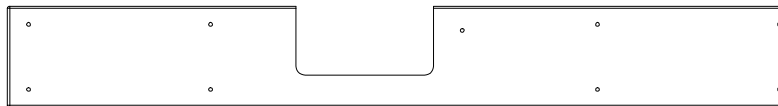
- (2) **J2 - SHELF SUPPORT - W103896**
1"x2 3/8"x8 7/8" (24x60x224)



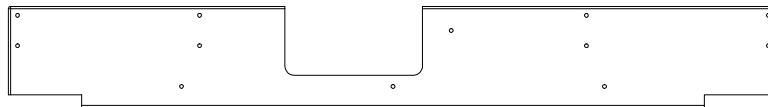
- (2) **J3 - SHELF SUPPORT - W103897**
1"x2 3/8"x8 7/8" (24x60x224)



- (1) **K1 - SERVING SHELF - W103890**
5/8"x5 1/4"x35 5/8" (16x134x906)



- (1) **K2 - FRONT COUNTER TOP - W103893**
5/8"x5 1/4"x40 3/4" (16x134x1034)



- (1) **K3 - REAR COUNTER TOP - W103894**
5/8"x5 1/4"x40 1/8" (16x134x1018)



- (2) **K4 - FRONT FLOWER POT SHELF - W104051**
5/8"x2 5/8"x9 1/8" (16x67x232)



- (2) **K5 - REAR FLOWER POT SHELF - W103892**
5/8"x2 5/8"x9 1/8" (16x67x232)

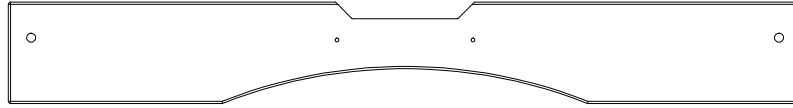
Parts Identification

Wood Components

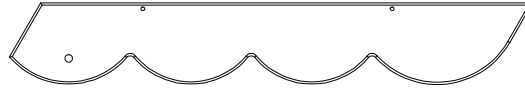
(NOT TO SCALE)



(2) **L1 - SIDE WALL HEADER - W103887**
5/8"x4 3/8"x42 5/8" (16x112x1082)



(2) **K6 - WALL HEADER - W103883**
5/8"x5 1/4"x41 3/8" (16x134x1050)



(4) **L3 - RAFTER - W104047**
5/8"x4 1/4"x28 3/8" (16x108x692)



(2) **K7 - ANGLED WALL BOARD - W103885**
5/8"x4 5/8"x23 3/4" (16x117x602)



(2) **L5 - ANGLED WALL BOARD - W103886**
5/8"x4 3/8"x23 3/4" (16x112x602)



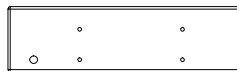
(4) **M1 - WALL BOARD - W103881**
5/8"x3 3/8"x23 1/2" (16x86x596)



(2) **M2 - BENCH SEAT - W104044**
5/8"x3 3/8"x27 3/8" (16x86x694)



(2) **M3 - WALL RAIL - W103878**
5/8"x3 3/8"x12 1/4" (16x86x310)



(2) **M4 - WALL RAIL - W103879**
5/8"x3 3/8"x12 1/4" (16x86x310)



(4) **M5 - WALL BOARD - W103889**
5/8"x3 3/8"x7" (16x86x178)



(8) **M6 - WALL BOARD - W103884**
5/8"x3 3/8"x6 7/8" (16x86x175)

Parts Identification

Wood Components

(NOT TO SCALE)



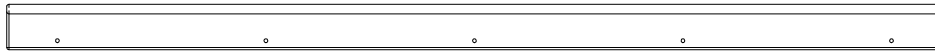
- (2) **N1 - WALL BOARD - W103880**
5/8"x2 3/8"x40 1/8" (16x60x1020)



- (2) **N2 - WALL BOARD - W103882**
5/8"x2 3/8"x40 1/8" (16x60x1020)



- (4) **N3 - WALL BOARD - W103888**
5/8"x2 3/8"x23 3/4" (16x60x602)



- (1) **N4 - ROOF CAP - W104049**
5/8"x2 3/8"x48 3/4" (16x60x1238)



- (2) **N5 - DOOR TRIM - W104055**
5/8"x2 3/8"x11 1/4" (16x60x286)



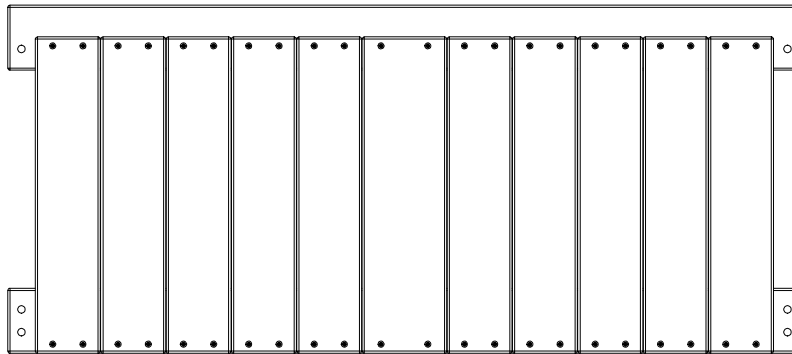
- (1) **N6 - DOOR STOP - W104056**
5/8"x2 3/8"x3 7/8" (16x60x100)



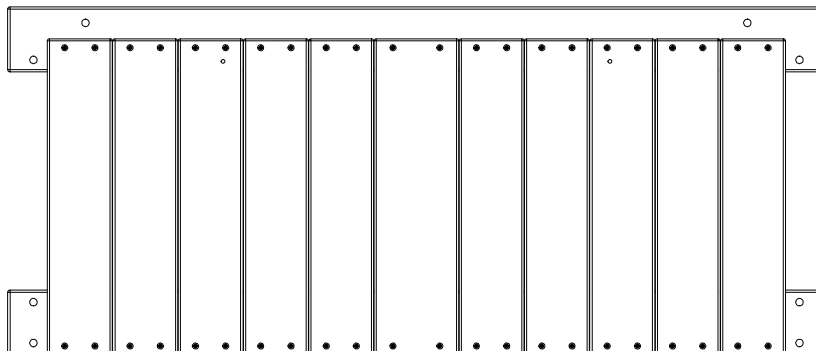
- (1) **O1 - ROOF CAP - W104050**
5/8"x1 3/8"x48 3/4" (16x34x1238)



- (4) **P1 - CORNER POST - W103875**
1 3/8"x1 3/8"x16 1/2" (36x36x418)



- (1) **WP1 - WALL PANEL - W103874**
1 1/4"x18 1/8"x41 3/8" (32x460x1050)

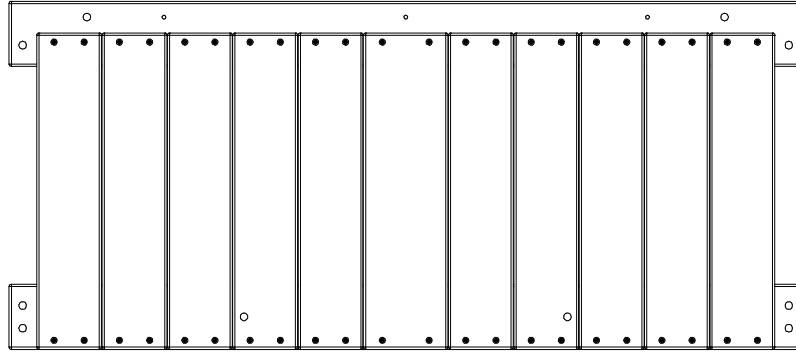


- (1) **WP2 - WALL PANEL - W103876**
1 1/4"x18 1/8"x42 5/8" (32x460x1082)

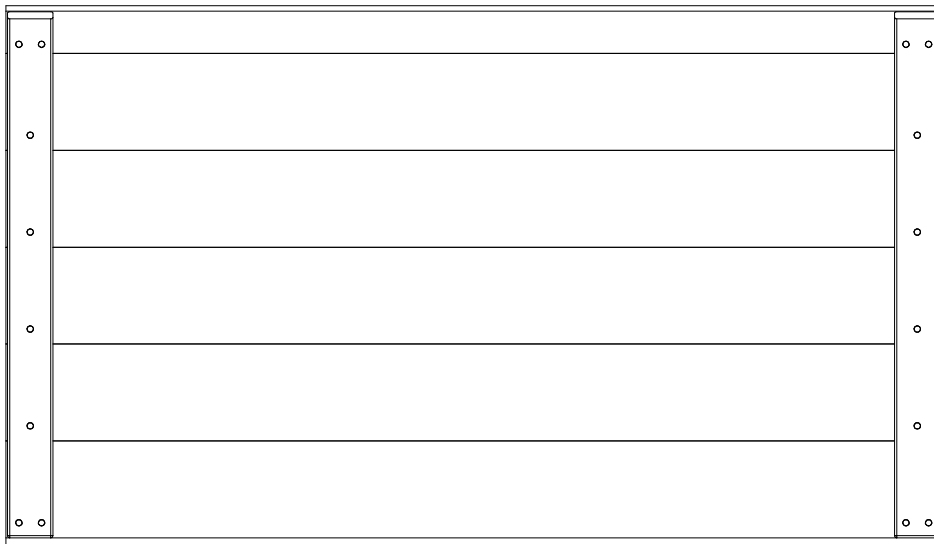
Parts Identification

Wood Components

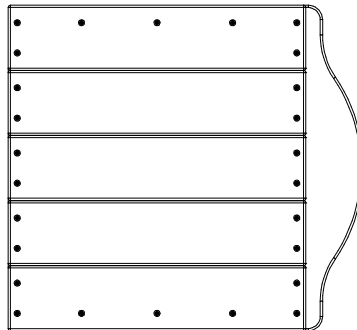
(NOT TO SCALE)



(1) **WP3 - WALL PANEL - W103877**
1 1/4"x18 1/8"x41 3/8" (32x460x1050)



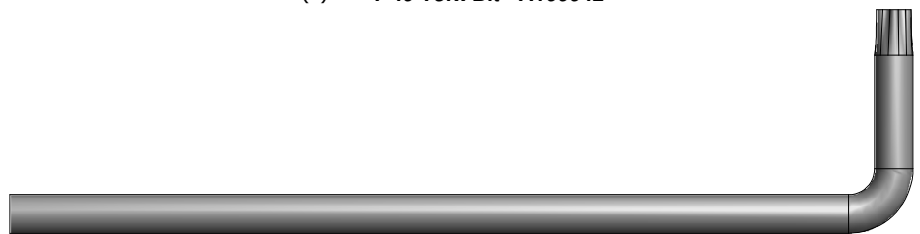
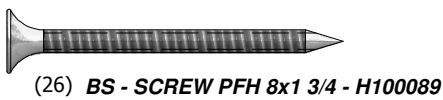
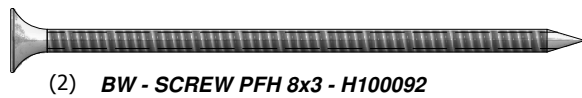
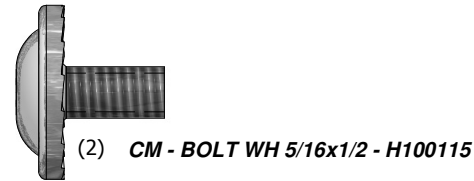
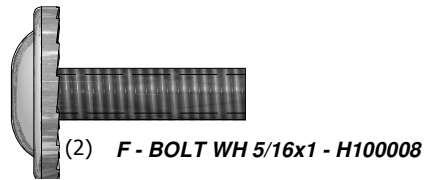
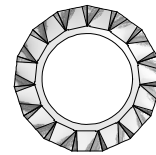
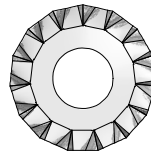
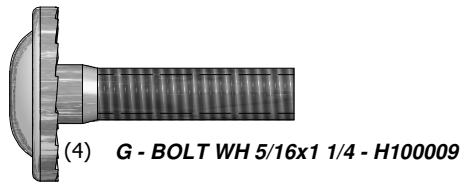
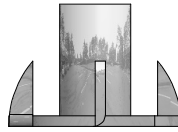
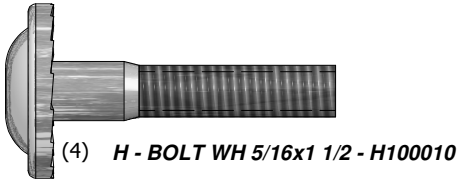
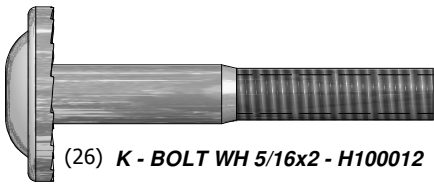
(2) **RP1 - ROOF PANEL - W104046**
1 3/8"x28 1/8"x48 3/4" (34x715x1238)



(1) **DP1 - DOOR PANEL - W104048**
1 1/4"x16 7/8"x18 1/2" (32x430x470)

Parts Identification

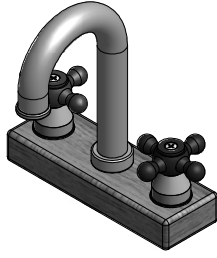
Hardware



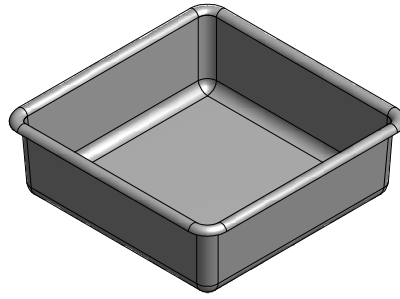
Parts Identification

Accessories

(NOT TO SCALE)



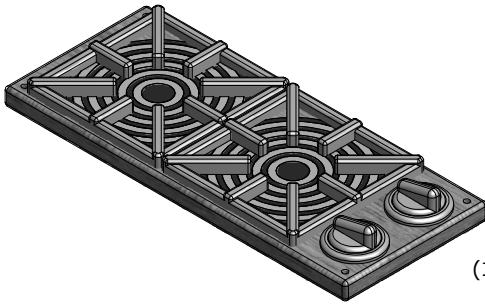
(1) JR - FAUCET KIT - A100125



(1) JS - SQUARE SINK BOWL - A100129



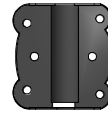
(1) MS - PHONE KIT - A100132



(1) JX - STOVE ASSEMBLY - A100136



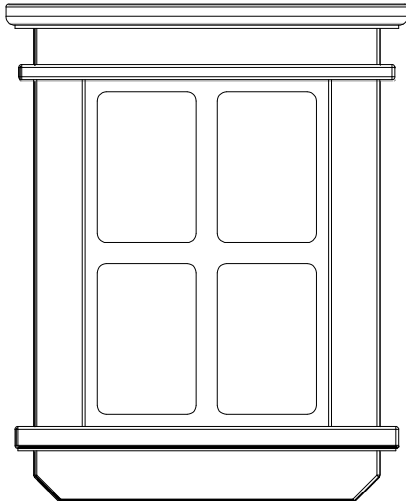
(1) XR - BYD ID TAG (SMALL) WITHOUT AGES - A100241



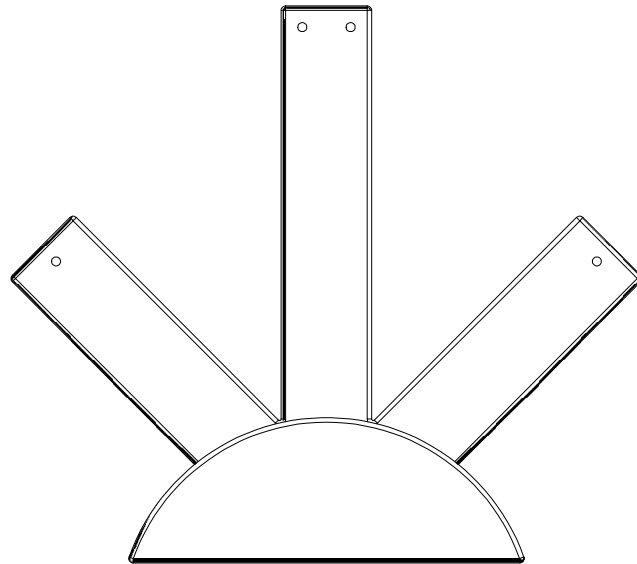
(2) TD - HINGE (DOOR, SPRING LOADED) - A100327



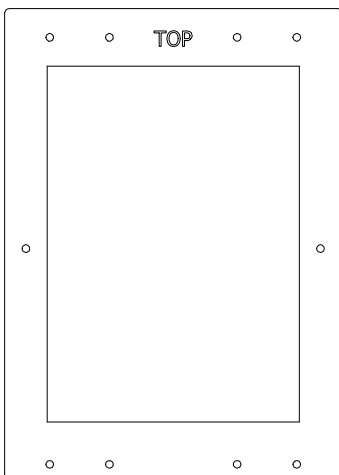
(2) TZ - L BRACKET 2.5x38x50x55 - A100340



(4) SW - PLASTIC WINDOW 44x266x329 - A100320



(2) VB - PLASTIC SUNBURST - A100361



(4) WP - SMALL PLASTIC WINDOW INSIDE TRIM - A100364



(1) XP - METAL TIE STRAP - A100414



(2) **M4 - WALL RAIL - W103879**
5/8"x3 3/8"x12 1/4" (16x86x310)

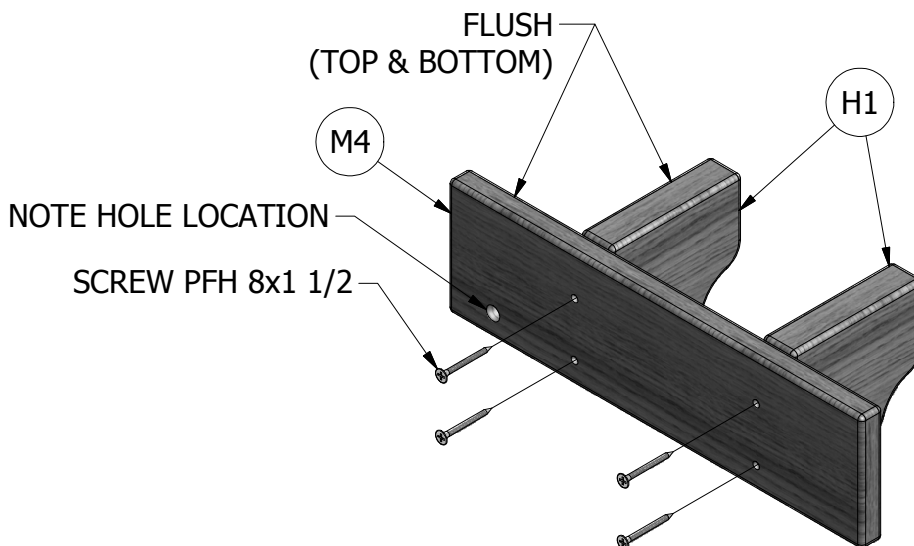
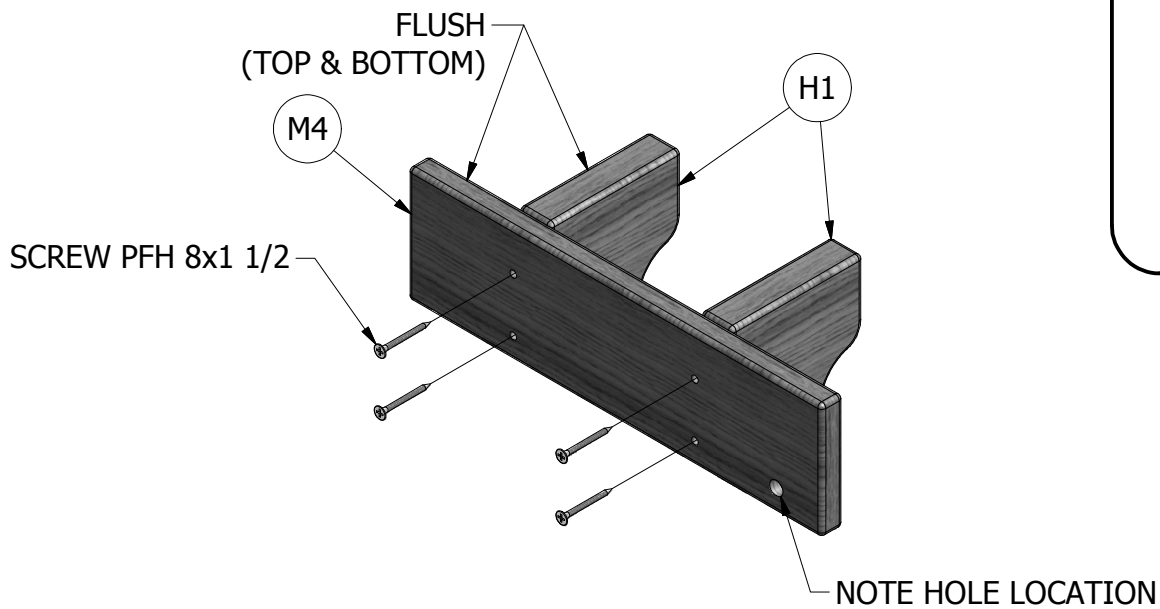
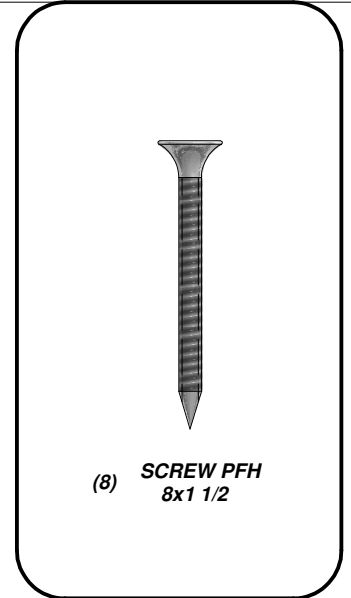


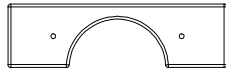
(4) **H1 - SHELF SUPPORT - W103891**
1"x3 3/8"x3 7/8" (24x86x98)

Left and Right Pot Holder Assemblies

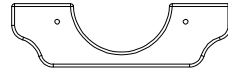
Step 1

Pre-drilling 1/8" holes in the back edge of H1 is recommended.
Use the existing holes in M4 as a guide.





(2) **K5 - REAR FLOWER POT SHELF - W103892**
5/8"x2 5/8"x9 1/8" (16x67x232)

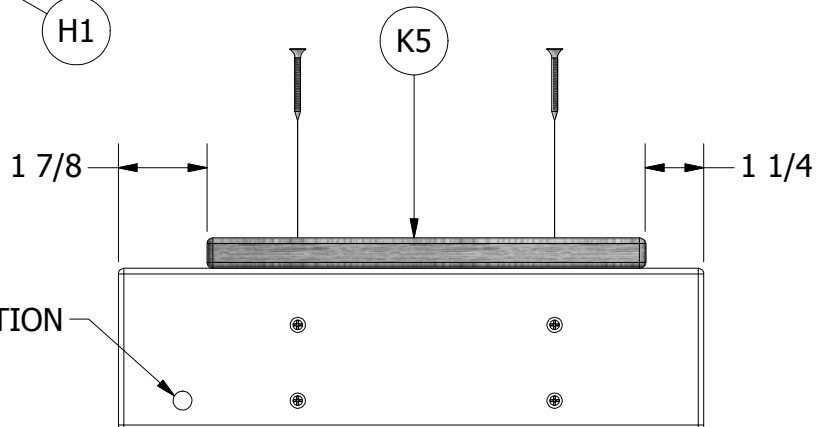
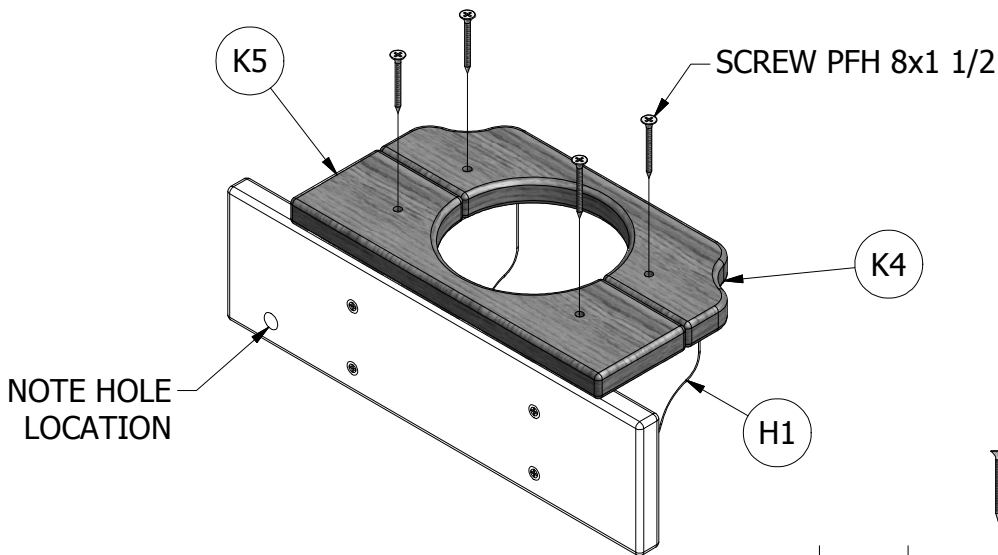
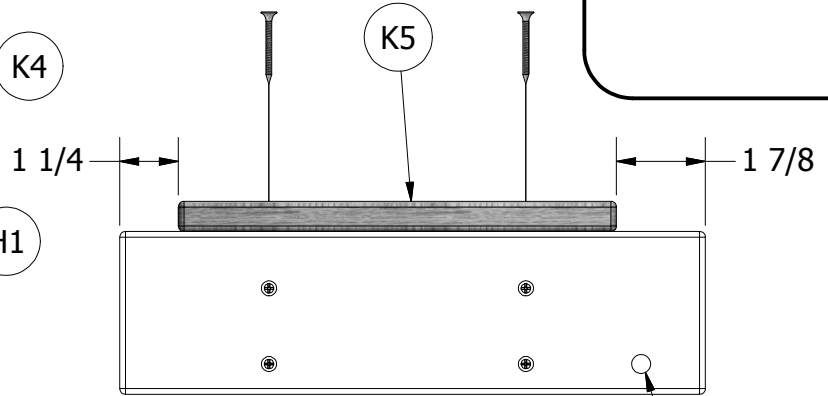
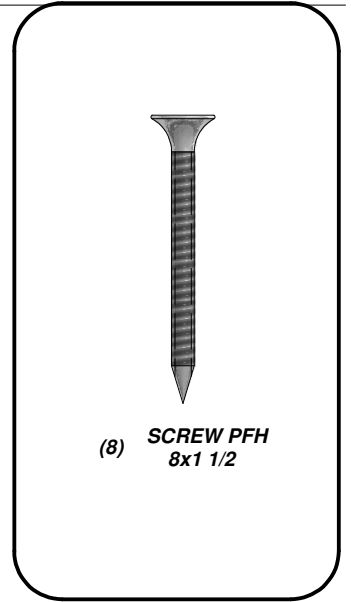
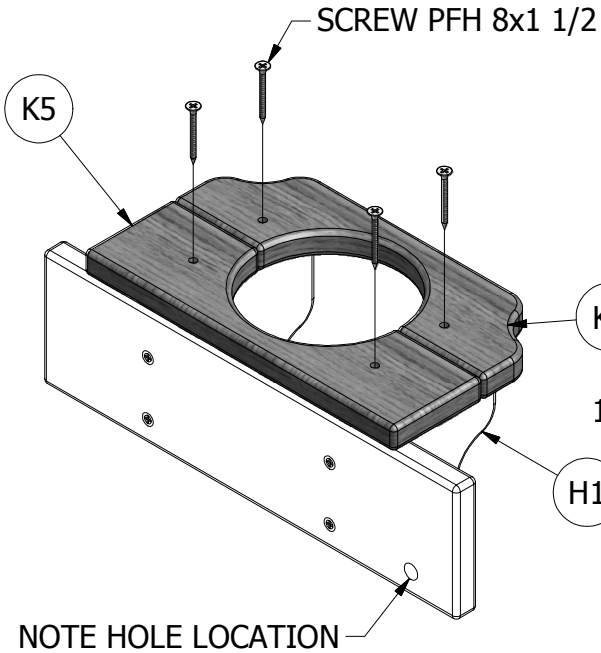


(2) **K4 - FRONT FLOWER POT SHELF - W104051**
5/8"x2 5/8"x9 1/8" (16x67x232)

Left and Right Pot Holder Assemblies

Step 2

Pre-drilling 1/8" holes in the top edge of H1 is recommended.
Use the existing holes in K5 and K4 as a guide.





(2) **H6 - BENCH GROUND BOARD - W104042**
1"x3 3/8"x18 1/8" (24x86x460)



(2) **TZ - L BRACKET 2.5x38x50x55 - A100340**

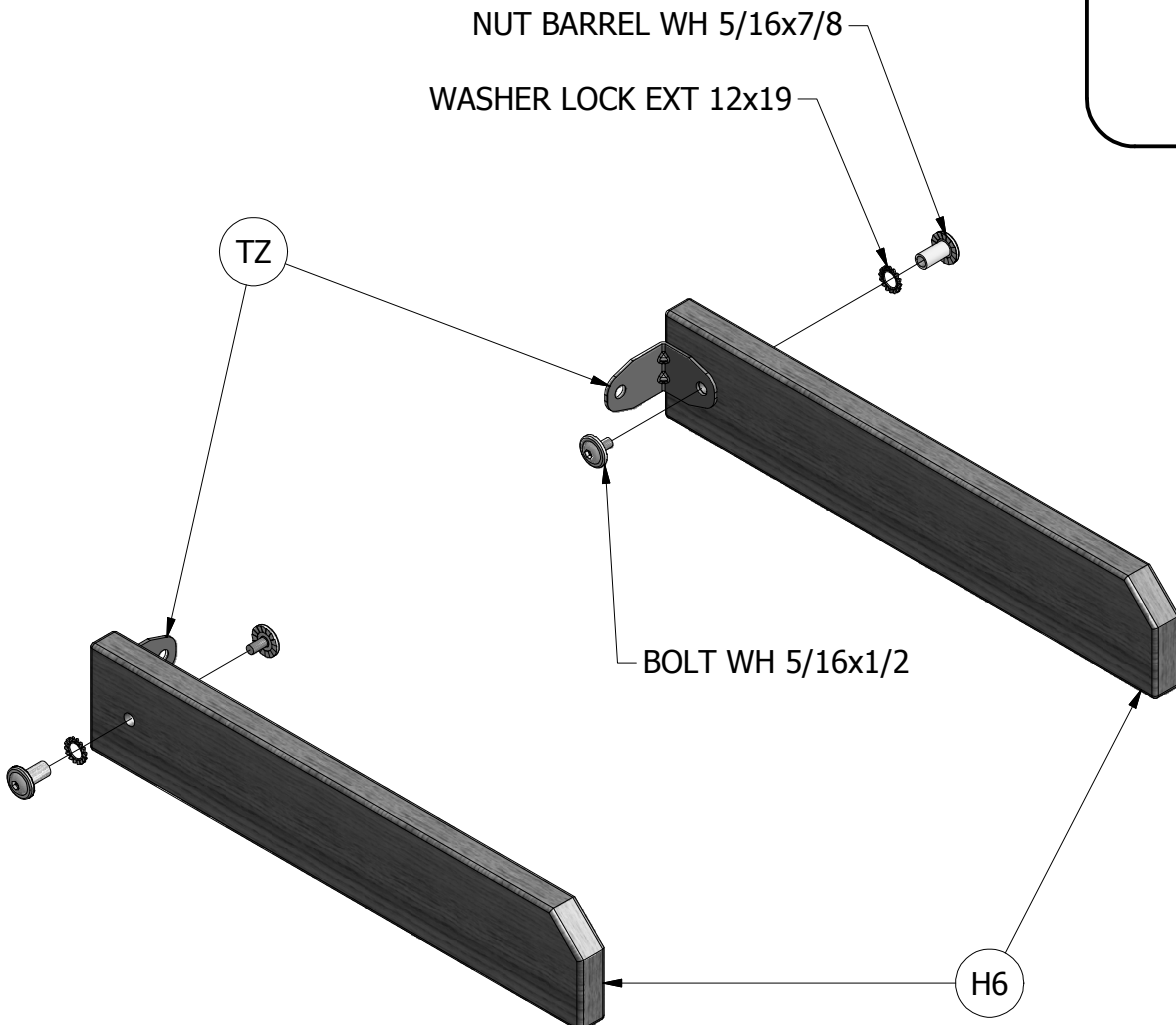
Bench Assembly

Step 1

(2) **NUT BARREL**
WH 5/16x7/8

(2) **WASHER**
LOCK EXT
12x19

(2) **BOLT WH**
5/16x1/2

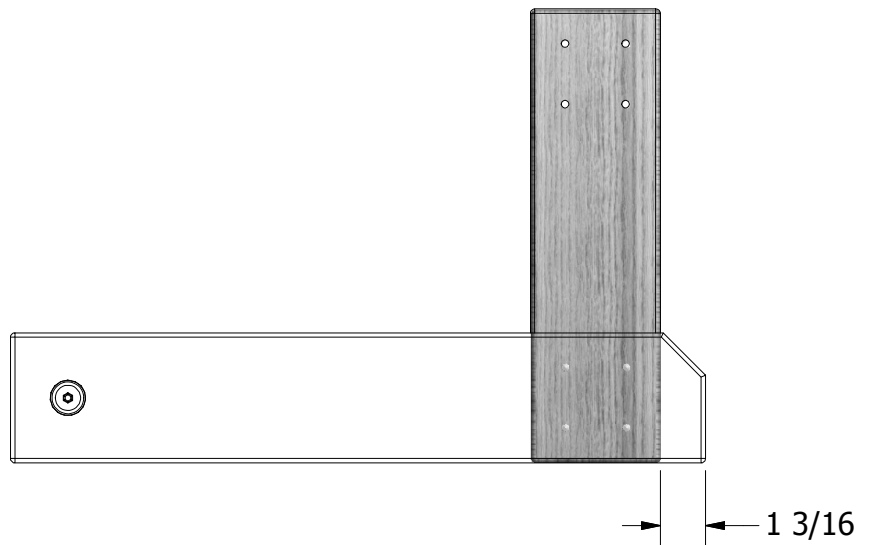
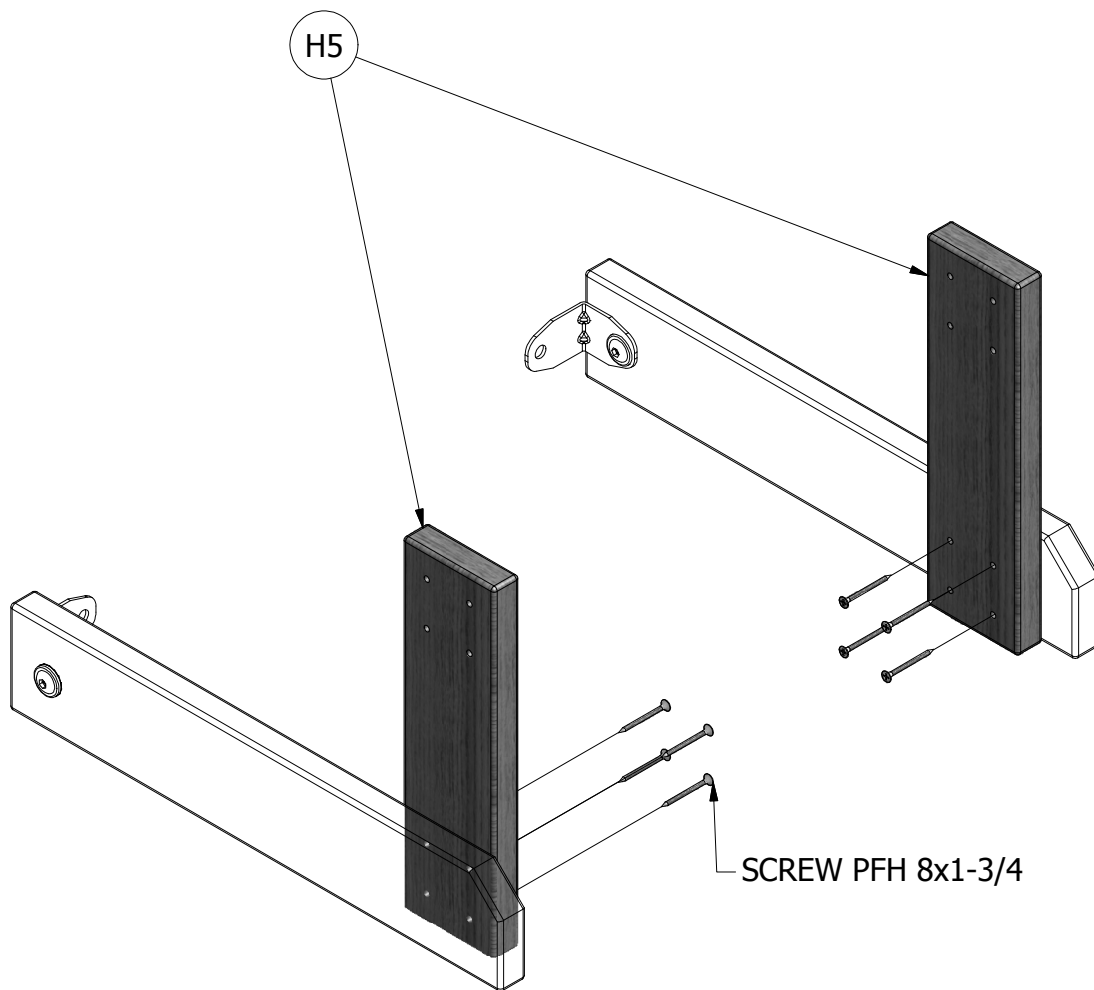
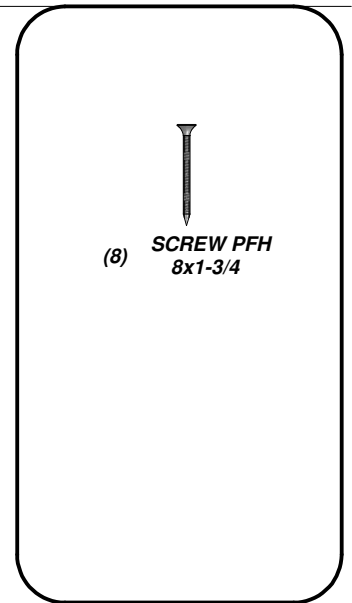


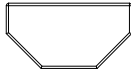


(2) **H5 - BENCH UPRIGHT - W104041**
1"x3 3/8"x11 3/4" (24x86x300)

Bench Assembly

Step 2

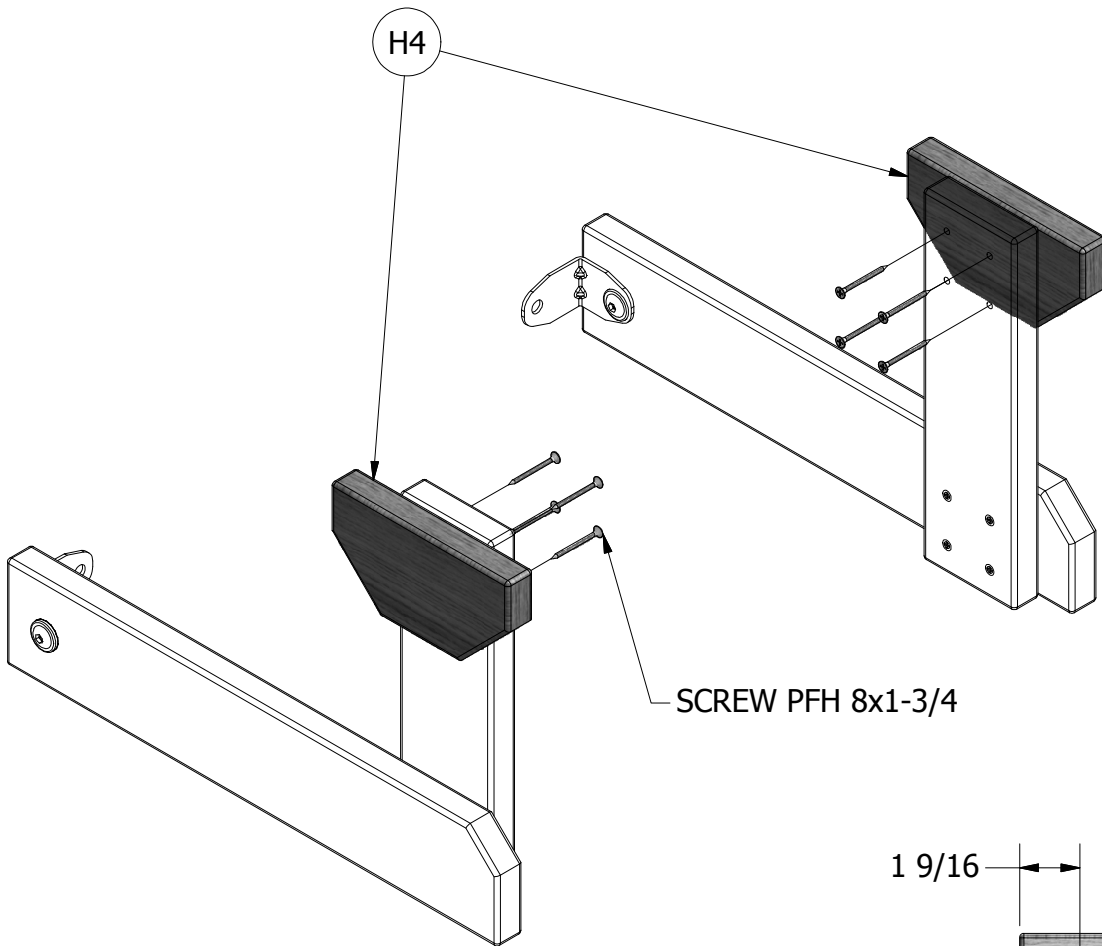
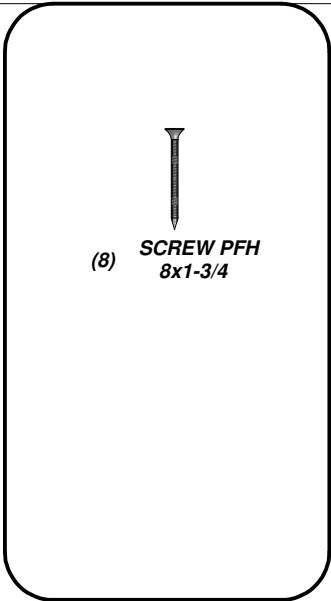




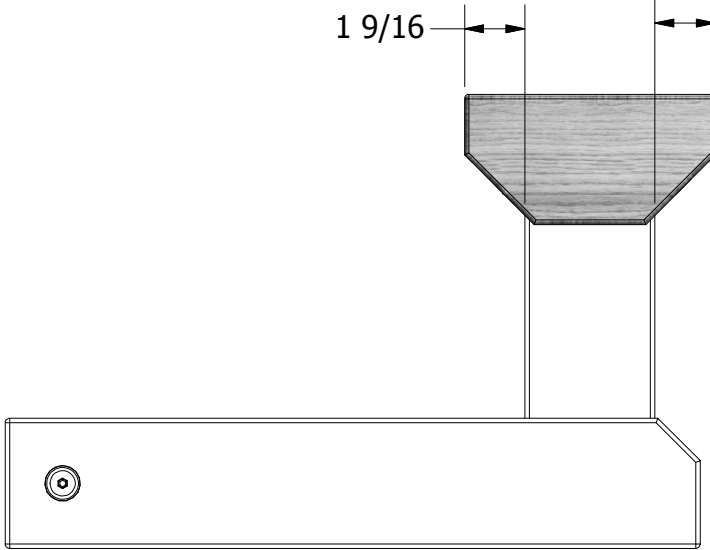
(2) **H4 - BENCH SEAT SUPPORT - W104040**
1"x3 3/8"x6 1/2" (24x86x166)

Bench Assembly

Step 3



1 9/16 1 9/16





(2) **M2 - BENCH SEAT - W104044**
5/8"x3 3/8"x27 3/8" (16x86x694)

Bench Assembly

Step 4

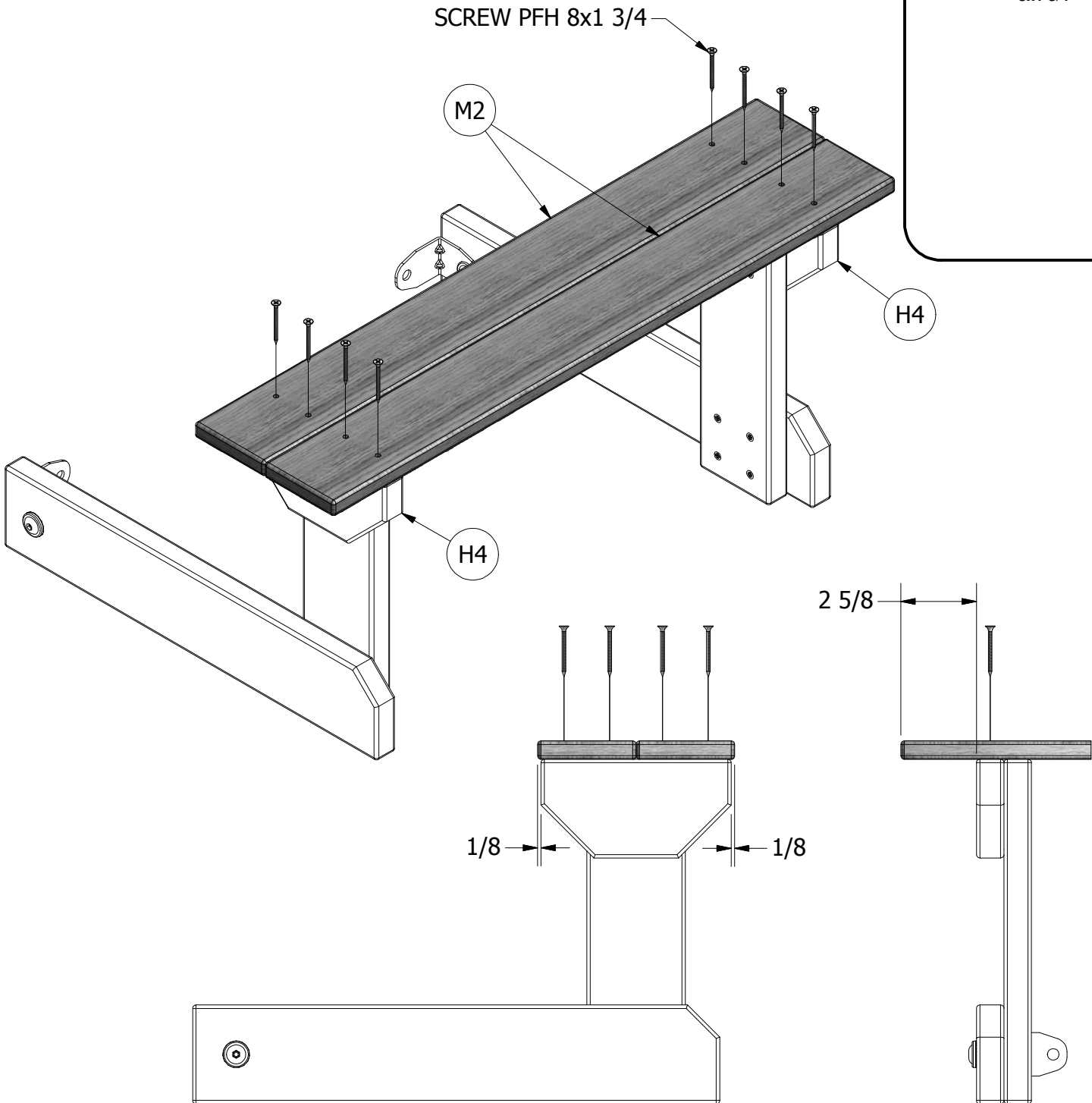
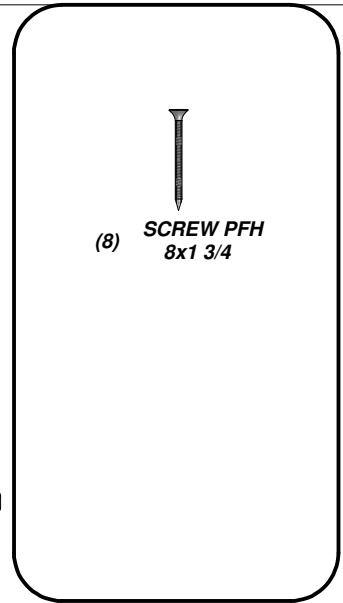
Pre-drilling 1/8" holes in the top edge of H4 is recommended.
Use the existing holes in M2 as a guide.

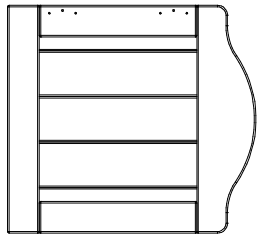
SCREW PFH 8x1 3/4

M2

H4

H4





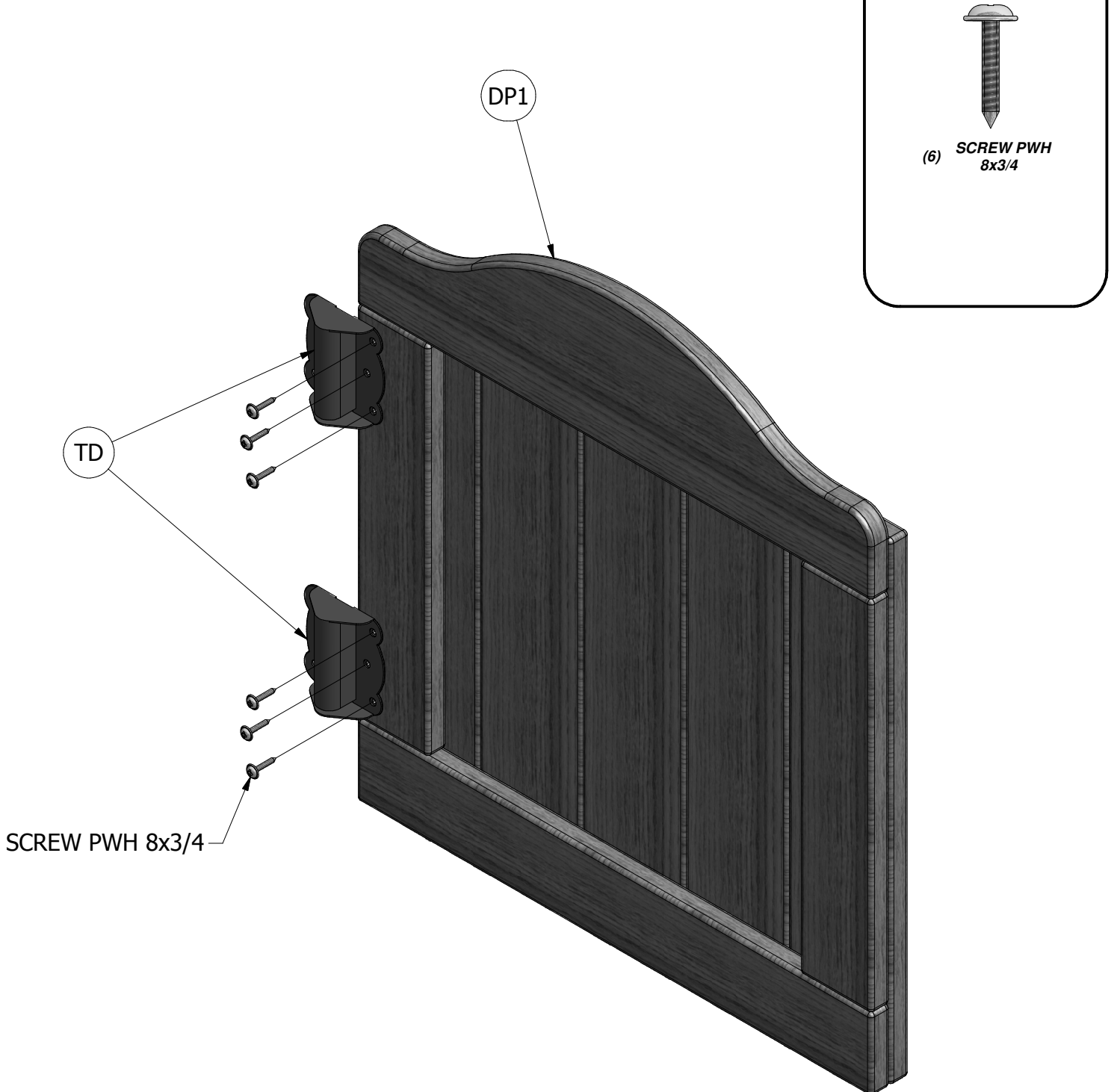
(1) **DP1 - DOOR PANEL - W104048**
1 1/4"x16 7/8"x18 1/2" (32x430x470)



(2) **TD - HINGE (DOOR, SPRING LOADED) - A100327**

Door Assembly

Step 1



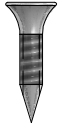
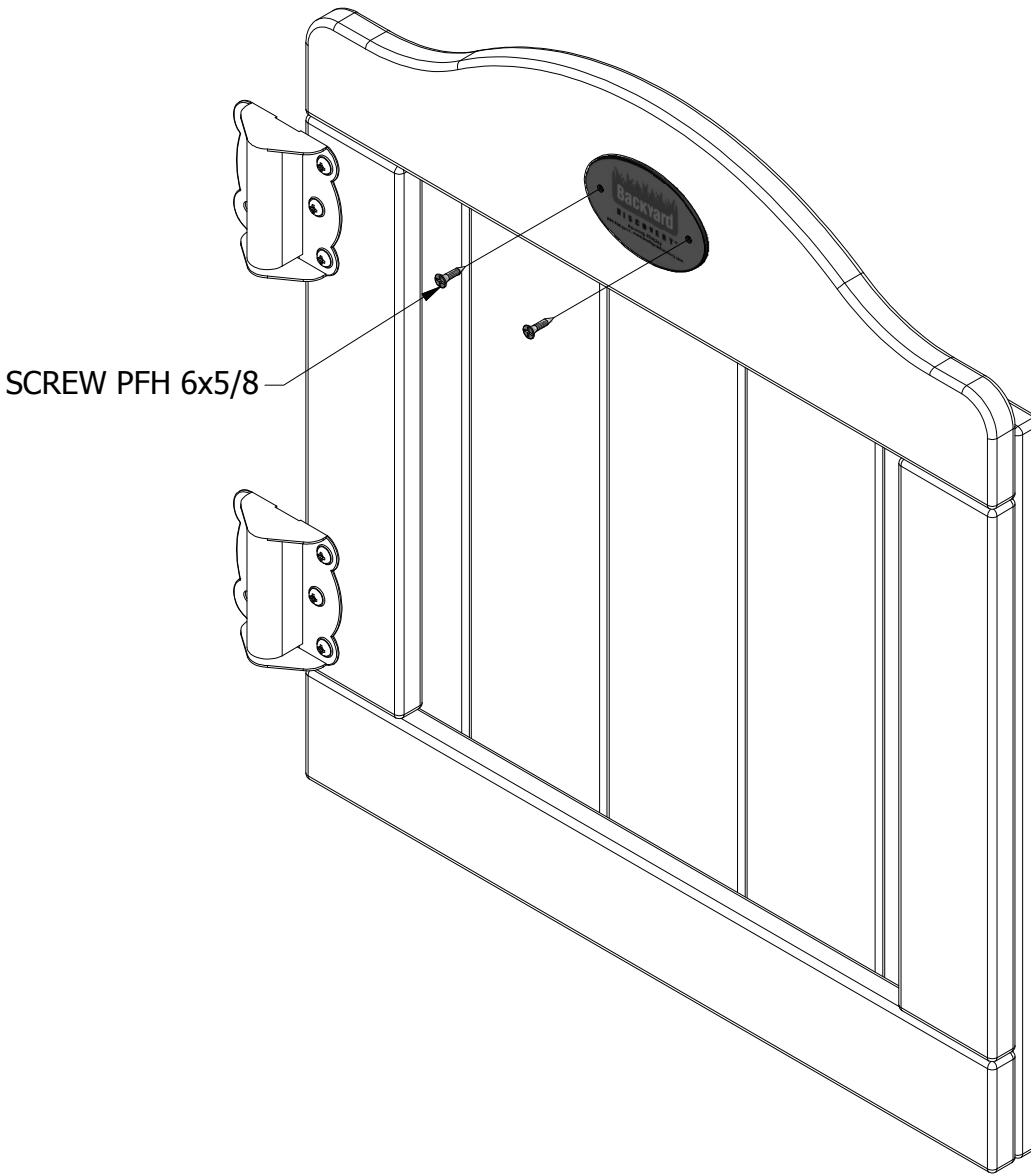


(1) XR - BYD ID TAG (SMALL) WITHOUT AGES - A100241

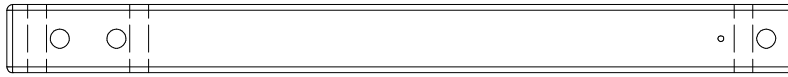
Door Assembly

Step 2

Center ID tag on door approx. as shown.



(2) SCREW PFH
6x5/8



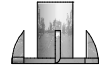
(4) P1 - CORNER POST - W103875
1 3/8"x1 3/8"x16 1/2" (36x36x418)

PLAY HOUSE ASSEMBLY

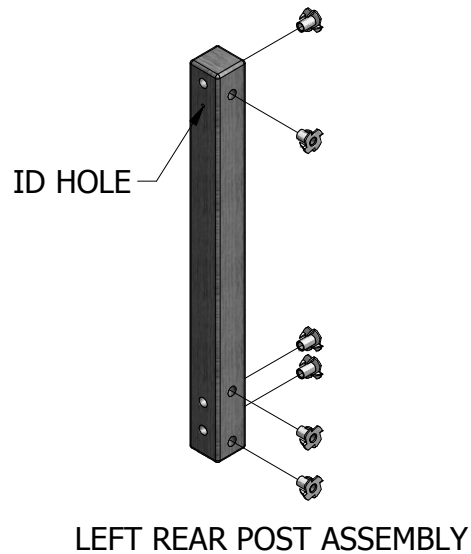
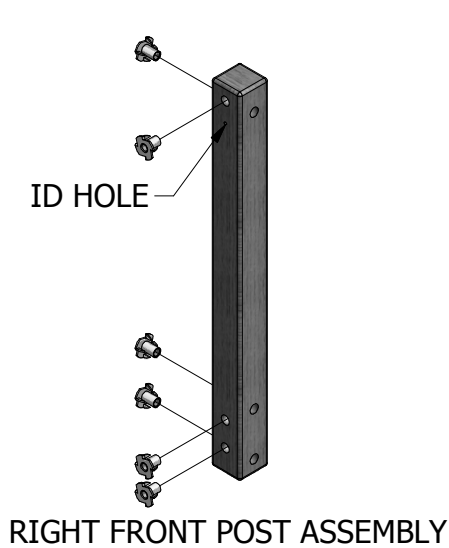
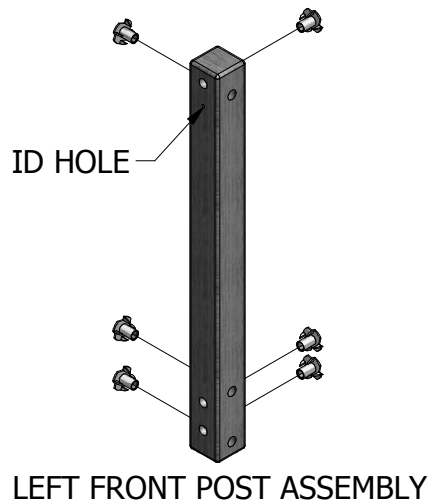
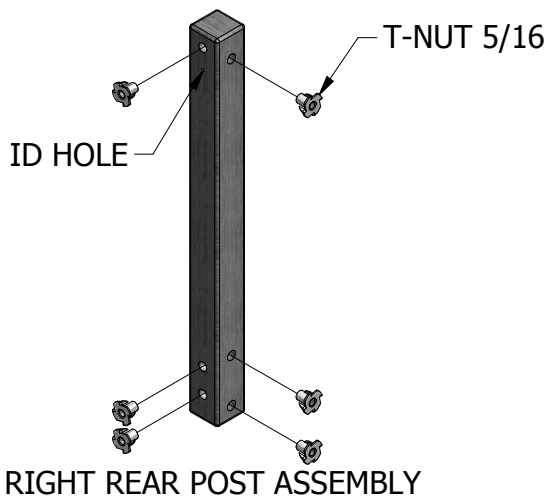
Step 1

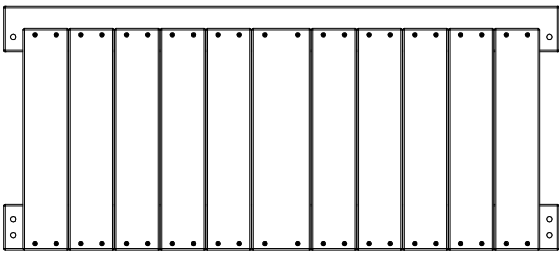
In this step you will make four post assemblies.

It is crucial to note the relationship of the ID holes with the T-Nuts in each assembly as indicated below.

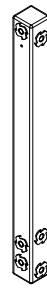


(24) T-NUT 5/16





(1) **WP1 - WALL PANEL - W103874**
1 1/4"x18 1/8"x41 3/16" (32x460x1050)



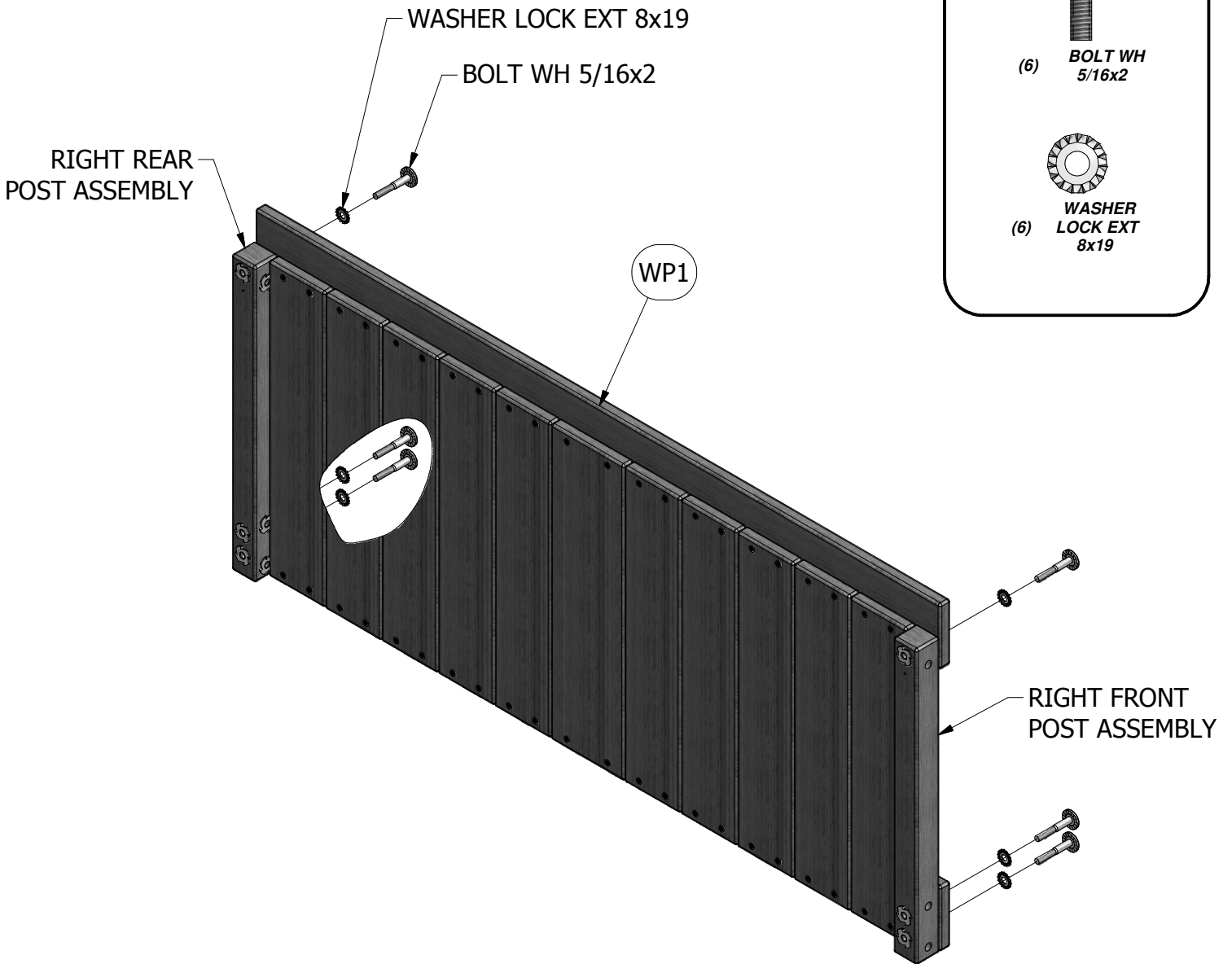
(1) **RIGHT REAR POST ASSEMBLY**

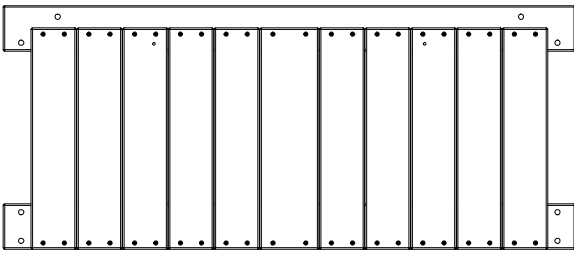


(1) **RIGHT FRONT POST ASSEMBLY**

PLAY HOUSE ASSEMBLY

Step 2





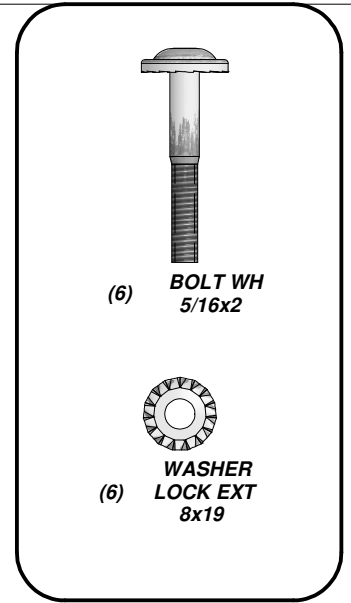
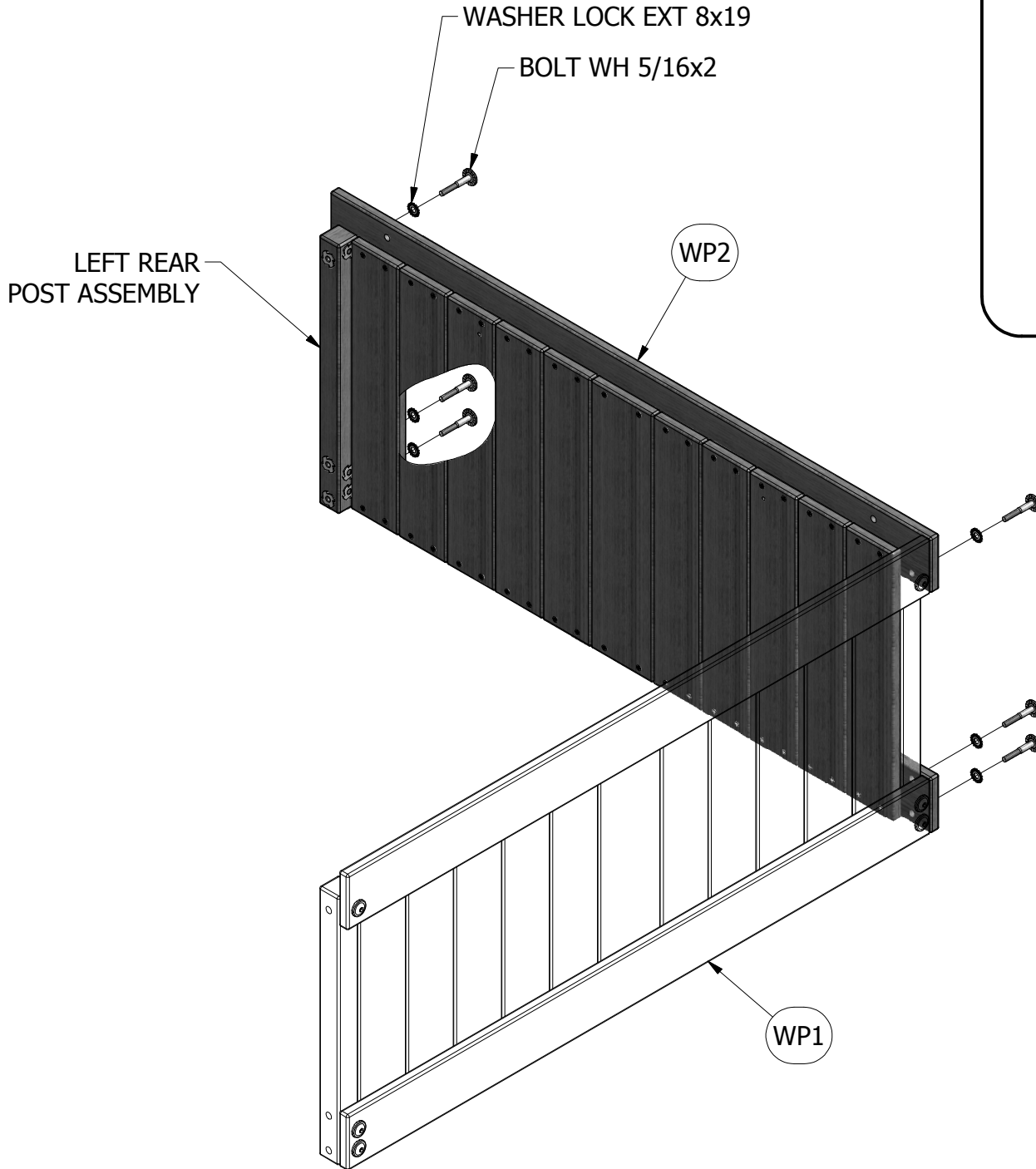
(1) WP2 - WALL PANEL - W103876
1 1/4"x18 1/8"x42 5/8" (32x460x1082)

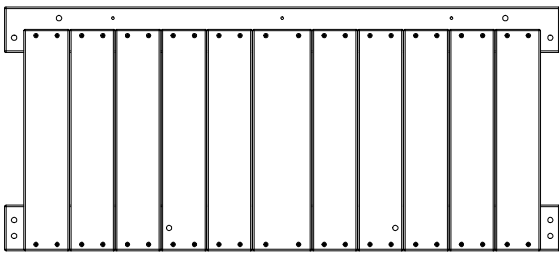


(1) LEFT REAR POST ASSEMBLY

PLAY HOUSE ASSEMBLY

Step 3





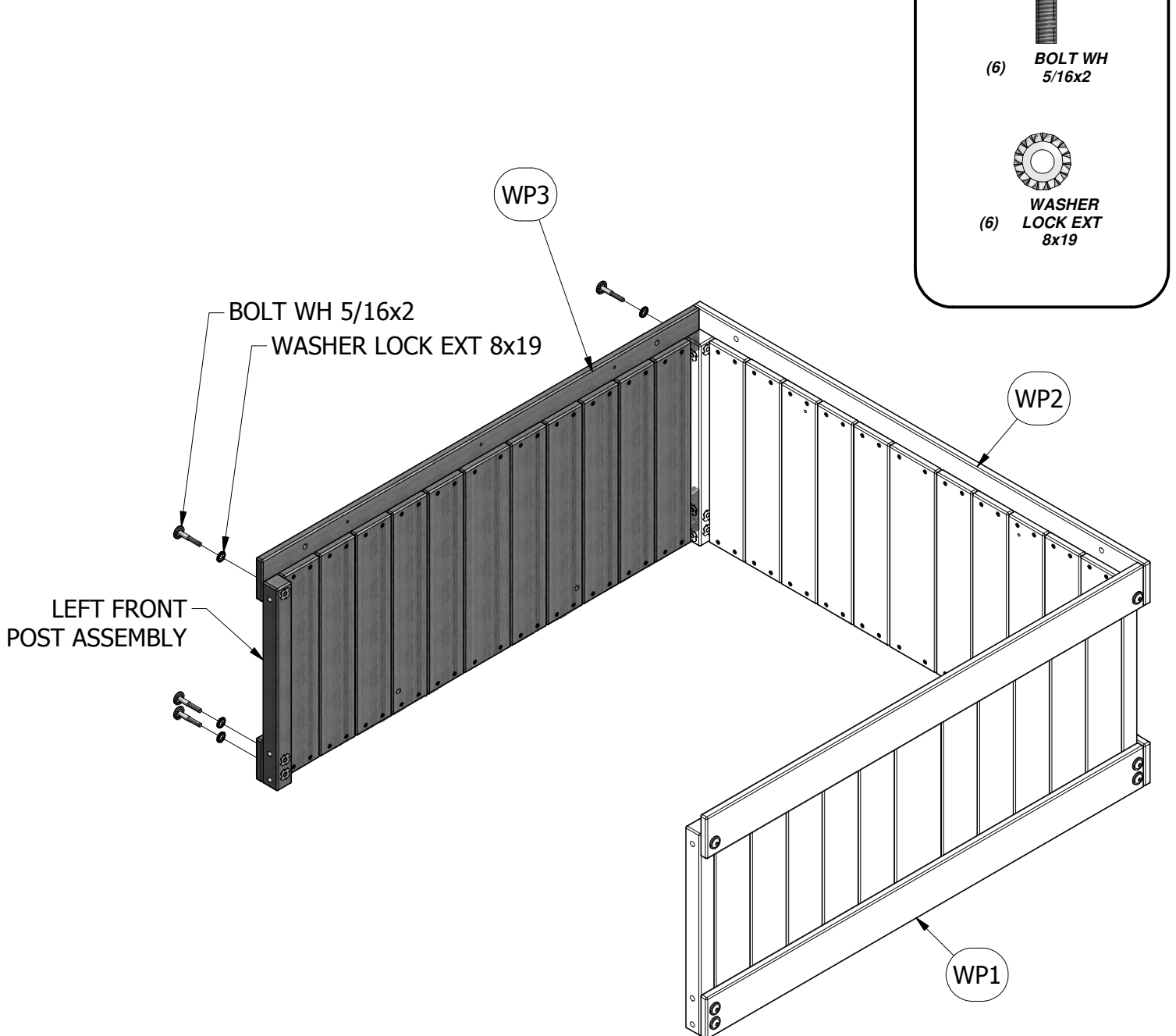
(1) **WP3 - WALL PANEL - W103877**
1 1/4"x18 1/8"x41 3/8" (32x460x1050)



(1) **LEFT FRONT POST ASSEMBLY**

PLAY HOUSE ASSEMBLY

Step 4

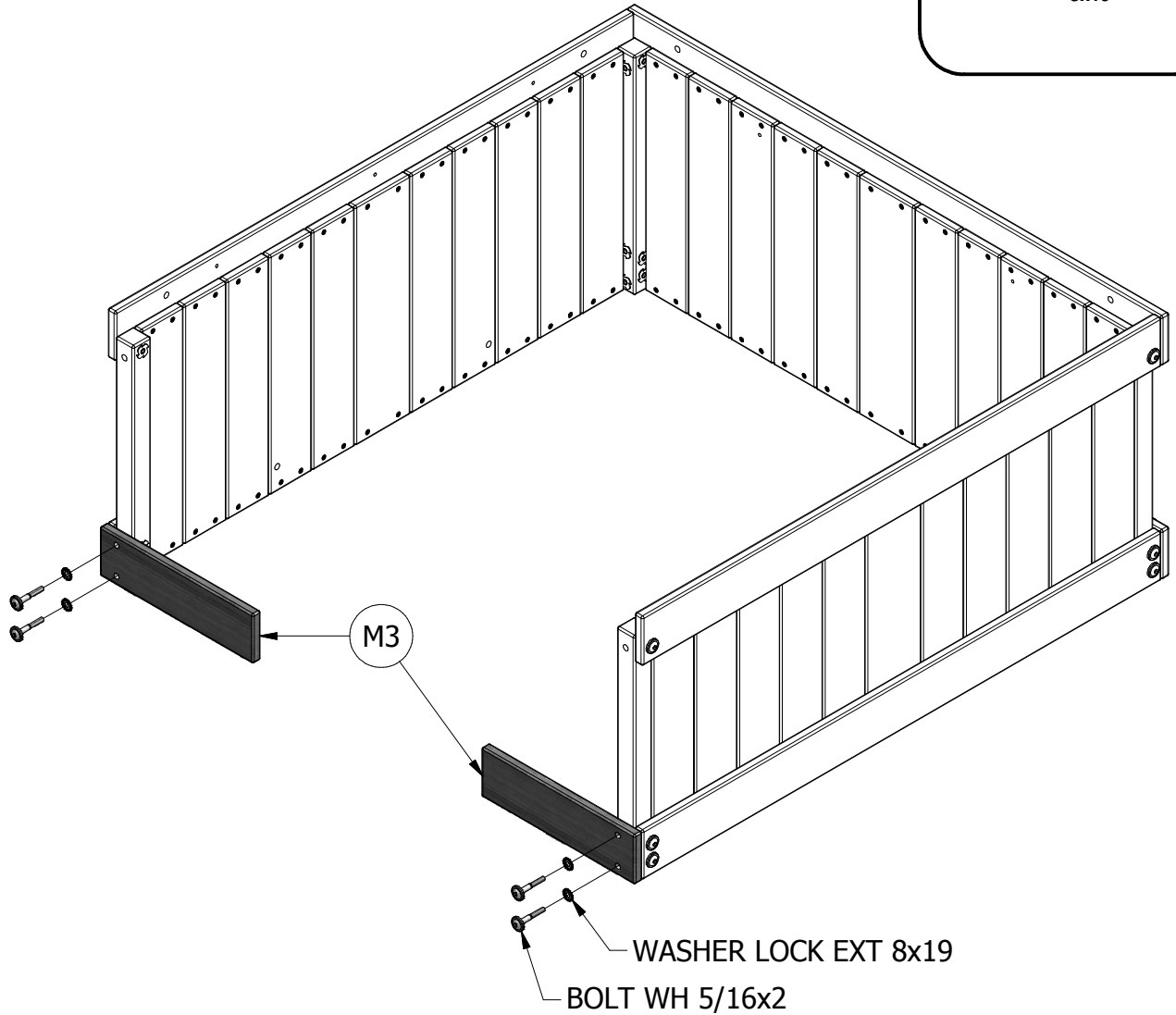
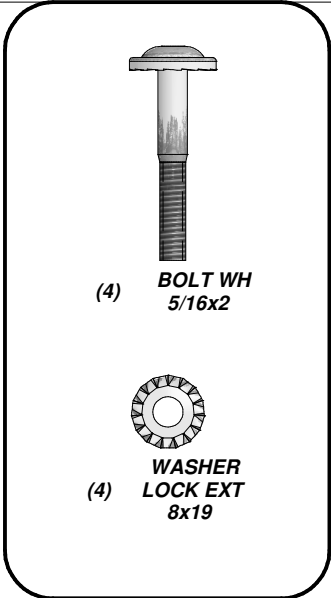


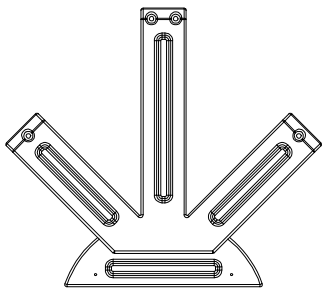


(2) **M3 - WALL RAIL - W103878**
5/8"x3 3/8"x12 1/4" (16x86x310)

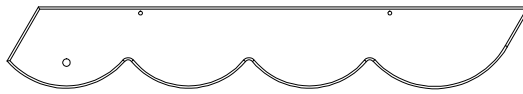
PLAY HOUSE ASSEMBLY

Step 5

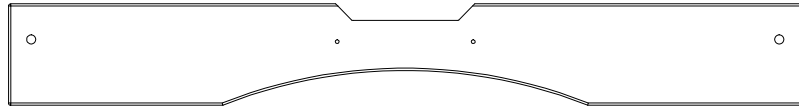




(2) VB - PLASTIC SUNBURST - A100361



(4) L3 - RAFTER - W104047
5/8"x4 1/4"x28 3/8" (16x108x692)



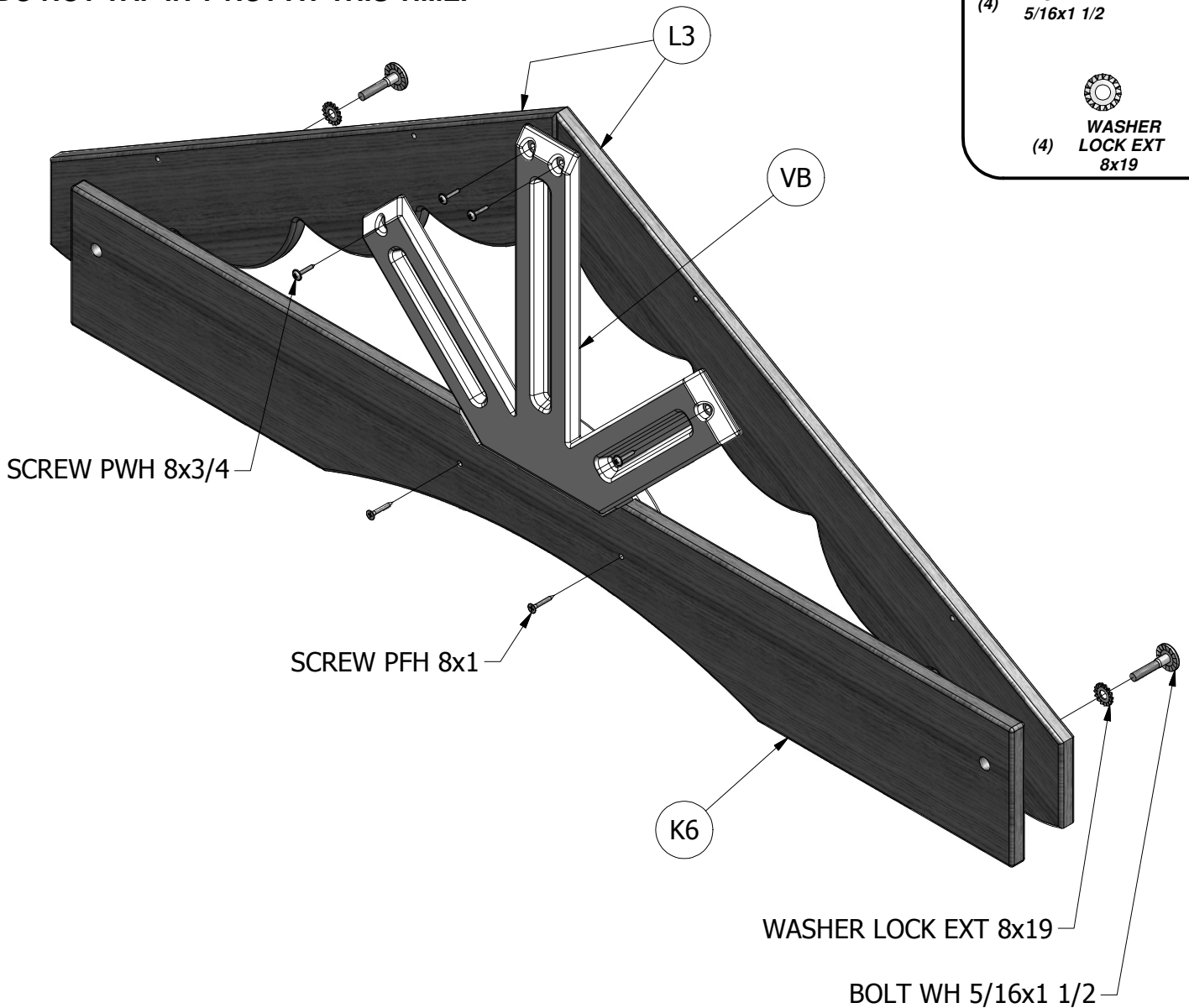
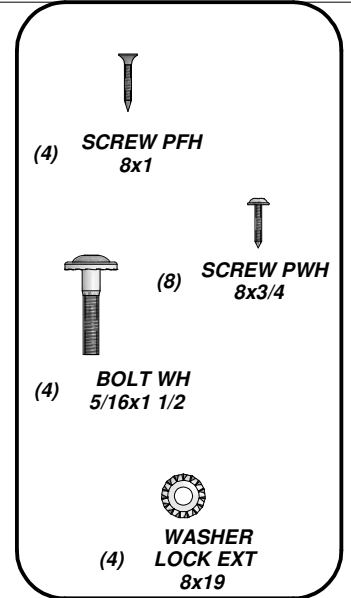
(2) K6 - WALL HEADER - W103883
5/8"x5 1/4"x41 3/8" (16x134x1050)

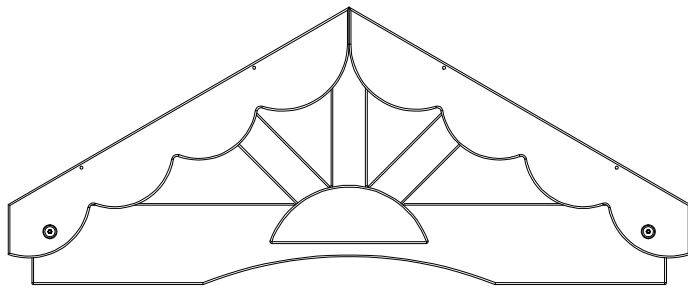
PLAY HOUSE ASSEMBLY

Step 6

In this step you will make two Gable Assemblies.

Use 1 1/2" bolts and washers to help with the alignment of parts. You may temporary use a T-Nut (not shown) to keep the bolt and washer from falling off. **DO NOT TAP IN T-NUT AT THIS TIME.**





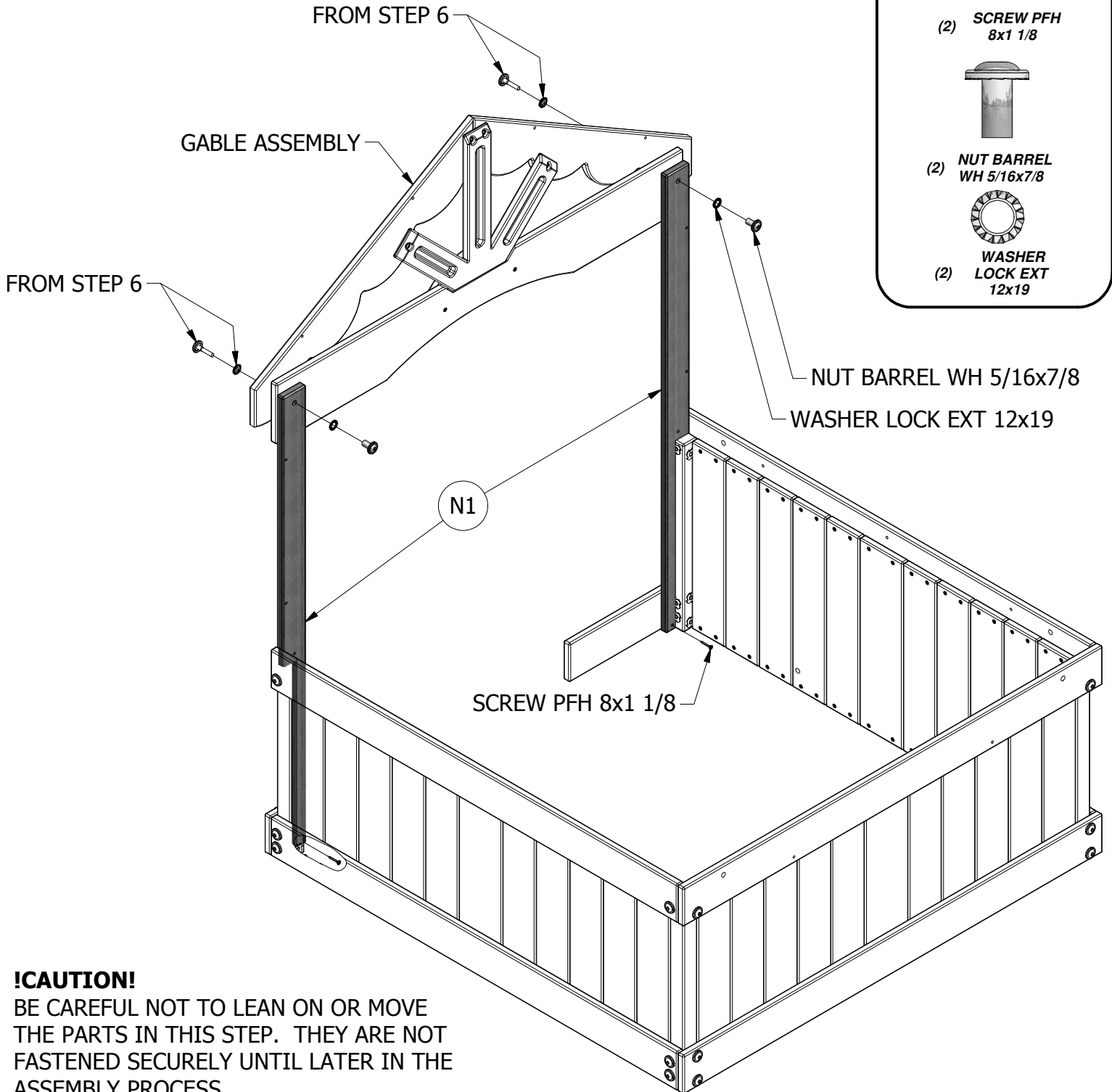
(1) GABLE ASSEMBLY



(2) N1 - WALL BOARD - W103880
5/8"x2 3/8"x40 1/8" (16x60x1020)

PLAY HOUSE ASSEMBLY

Step 7



!CAUTION!

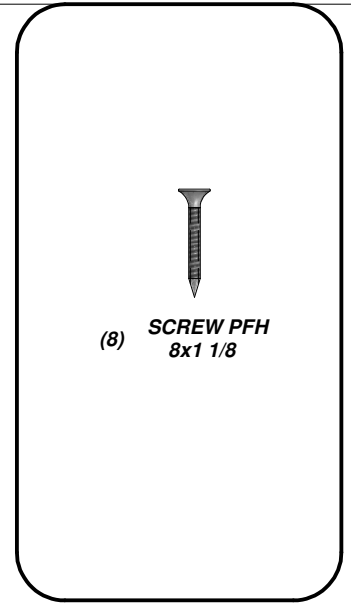
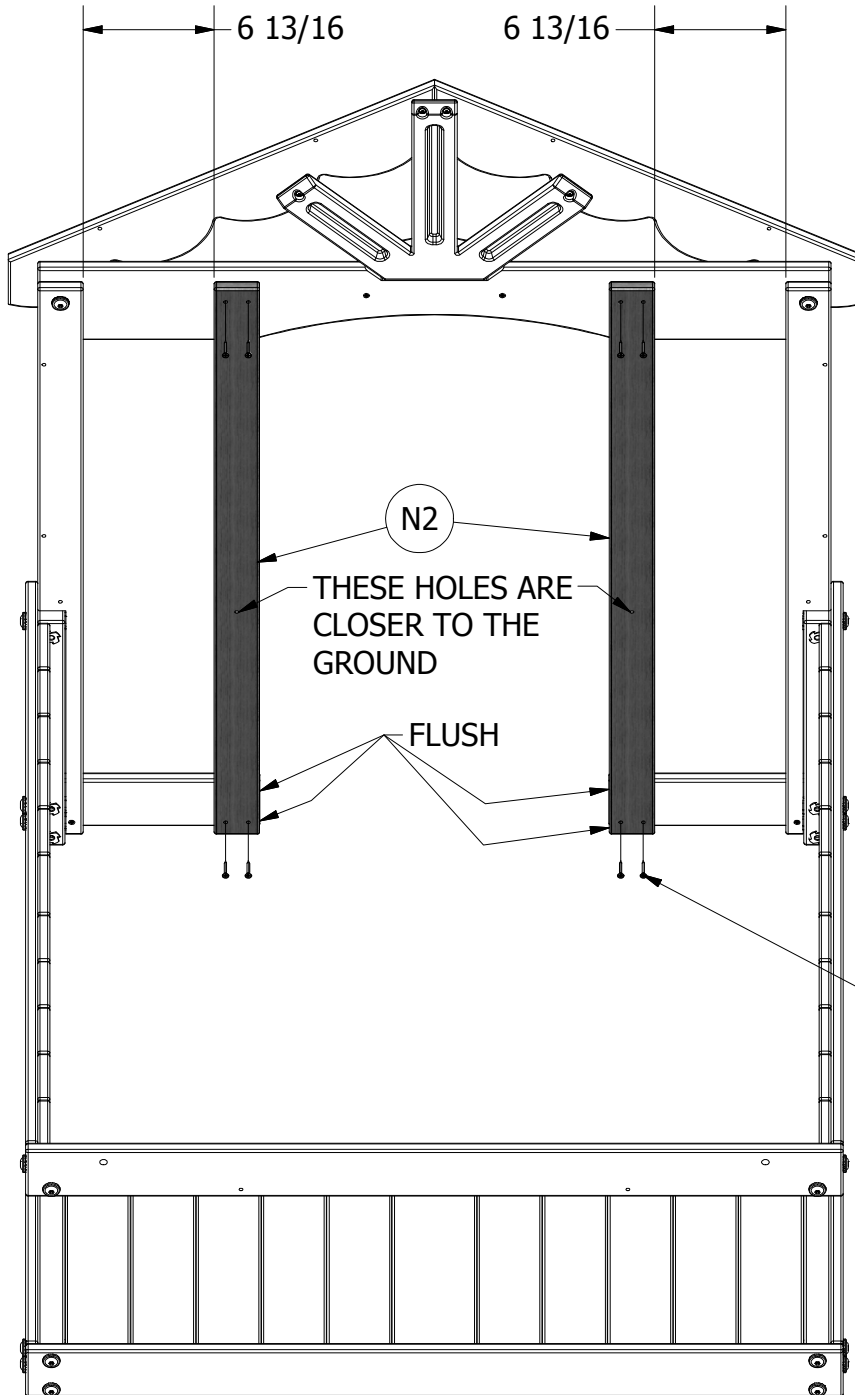
BE CAREFUL NOT TO LEAN ON OR MOVE THE PARTS IN THIS STEP. THEY ARE NOT FASTENED SECURELY UNTIL LATER IN THE ASSEMBLY PROCESS.



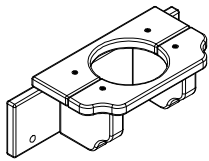
(2) **N2 - WALL BOARD - W103882**
5/8"x2 3/8"x40 1/8" (16x60x1020)

PLAY HOUSE ASSEMBLY

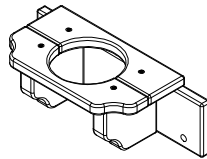
Step 8



SCREW PFH 8x1 1/8



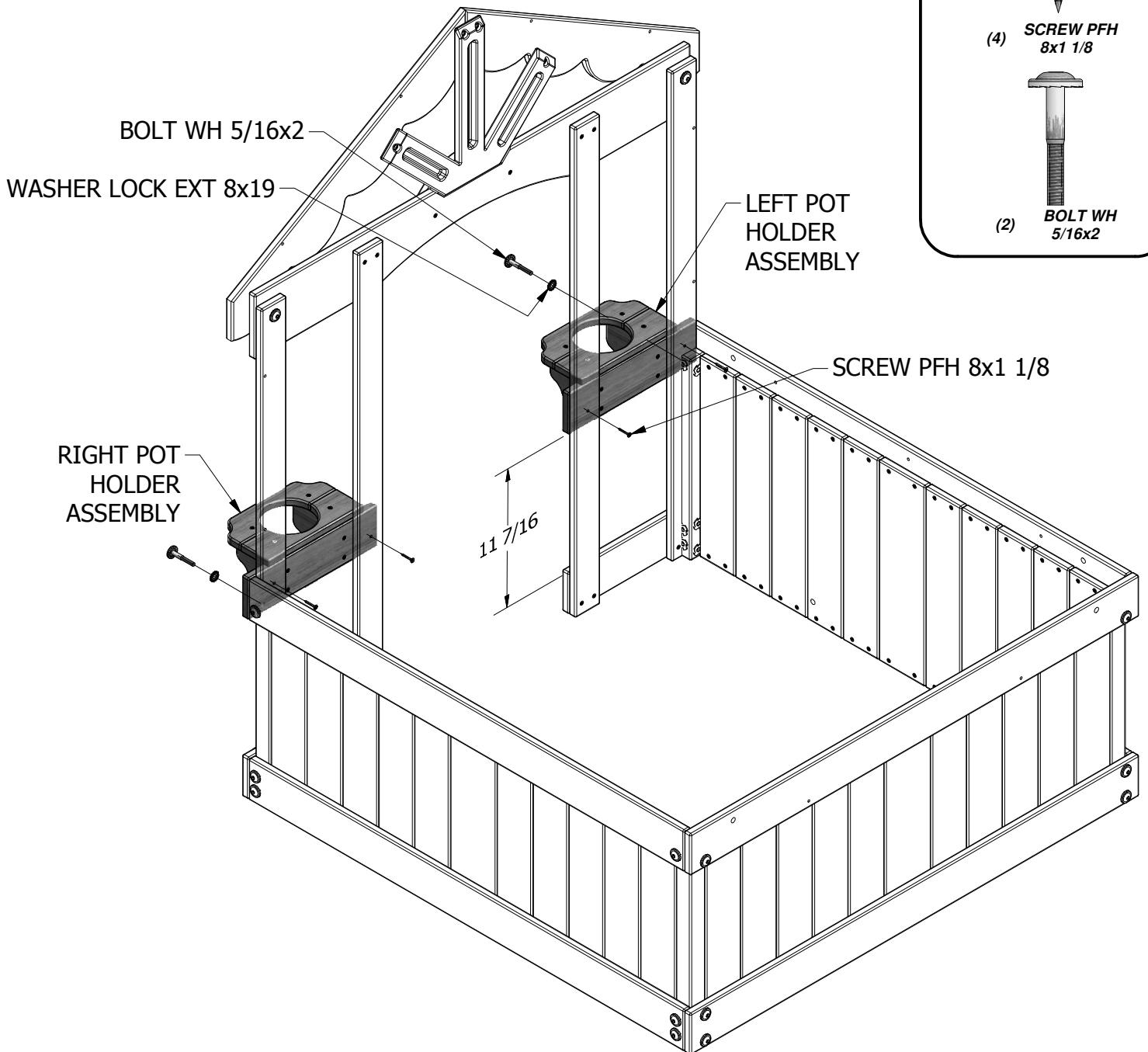
(1) LEFT POT HOLDER ASSEMBLY



(1) RIGHT POT HOLDER ASSEMBLY

PLAY HOUSE ASSEMBLY

Step 9



(2) WASHER LOCK EXT 8x19

(4) SCREW PFH 8x1 1/8

(2) BOLT WH 5/16x2



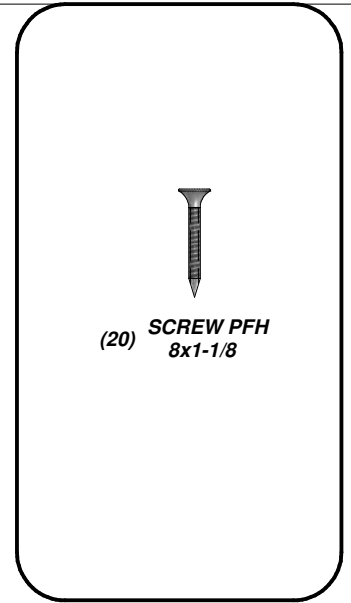
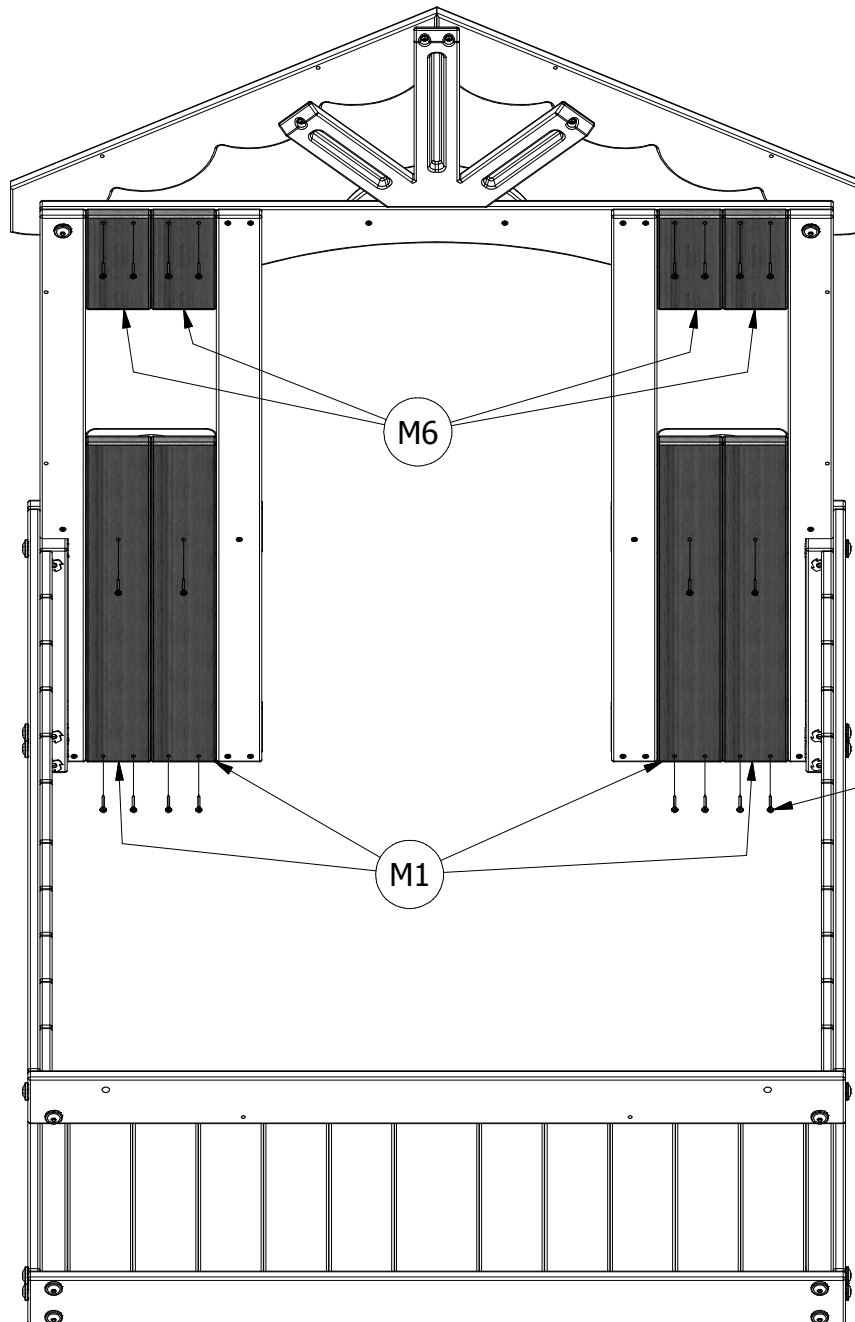
(4) **M1 - WALL BOARD - W103881**
5/8"x3 3/8"x23 1/2" (16x86x596)



(4) **M6 - WALL BOARD - W103884**
5/8"x3 3/8"x6 7/8" (16x86x175)

PLAY HOUSE ASSEMBLY

Step 10



(20) **SCREW PFH**
8x1-1/8

SCREW PFH 8x1-1/8



(1) **XP - METAL TIE STRAP - A100414**

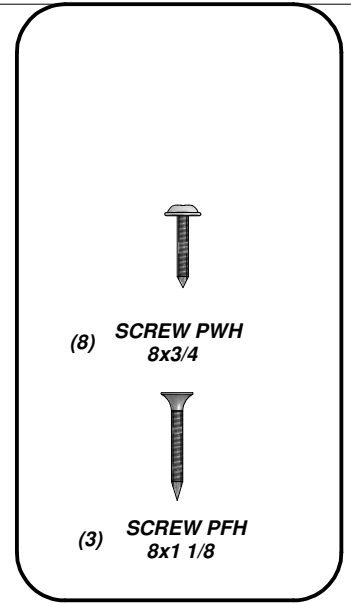
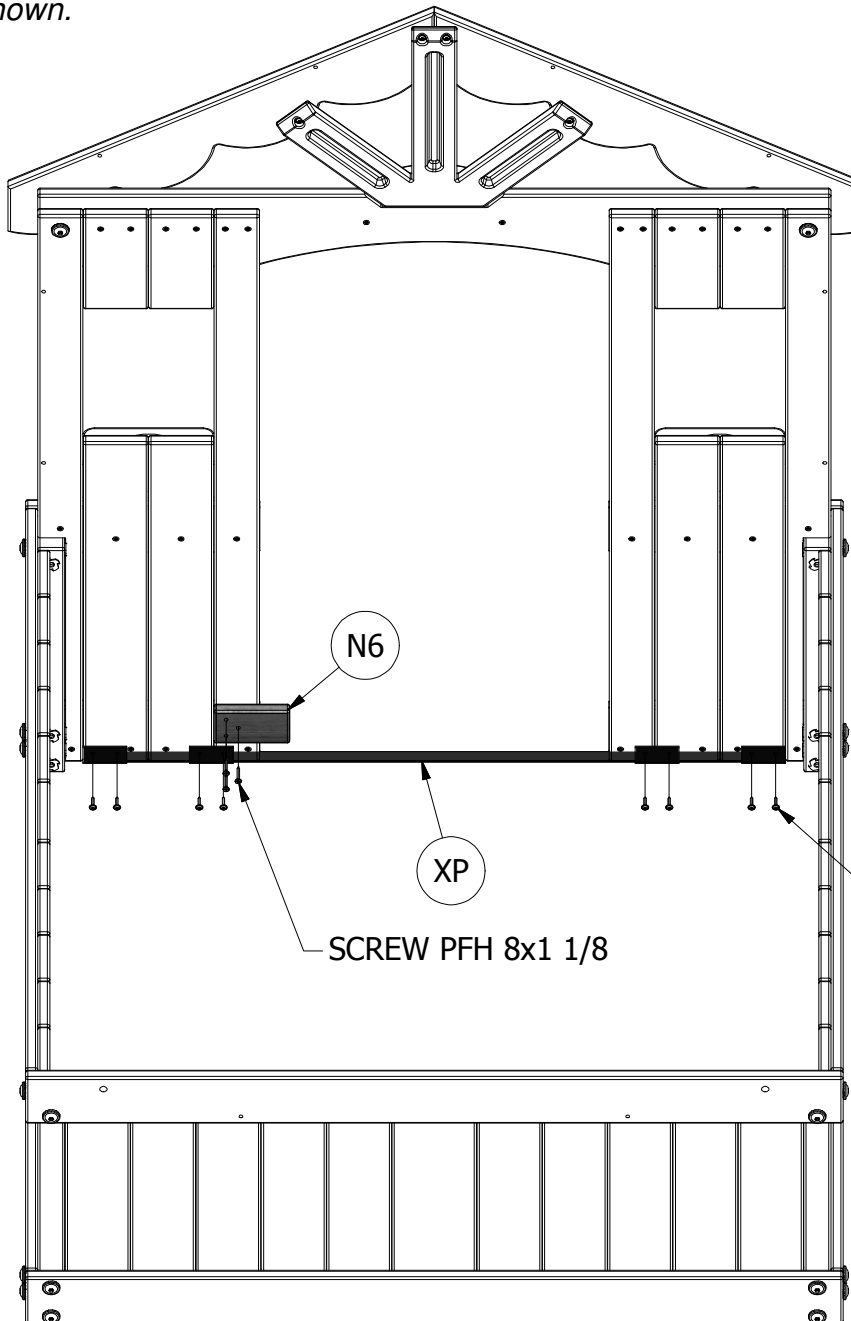


(1) **N6 - DOOR STOP - W104056**
5/8"x2 3/8"x3 7/8" (16x60x100)

PLAY HOUSE ASSEMBLY

Step 11

Attach N6 approximately 2" up from ground and locate as shown.

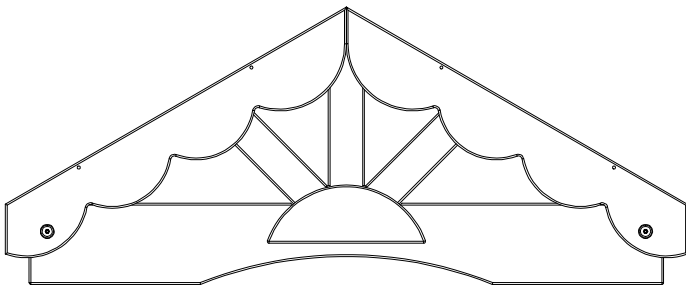


(8) **SCREW PWH**
8x3/4

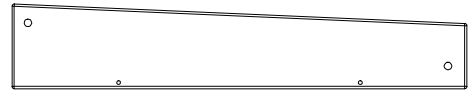
(3) **SCREW PFH**
8x1 1/8

SCREW PWH 8x3/4

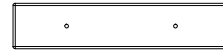
SCREW PFH 8x1 1/8



(1) GABLE ASSEMBLY



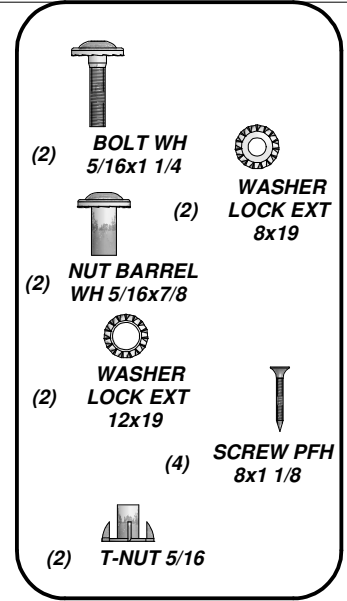
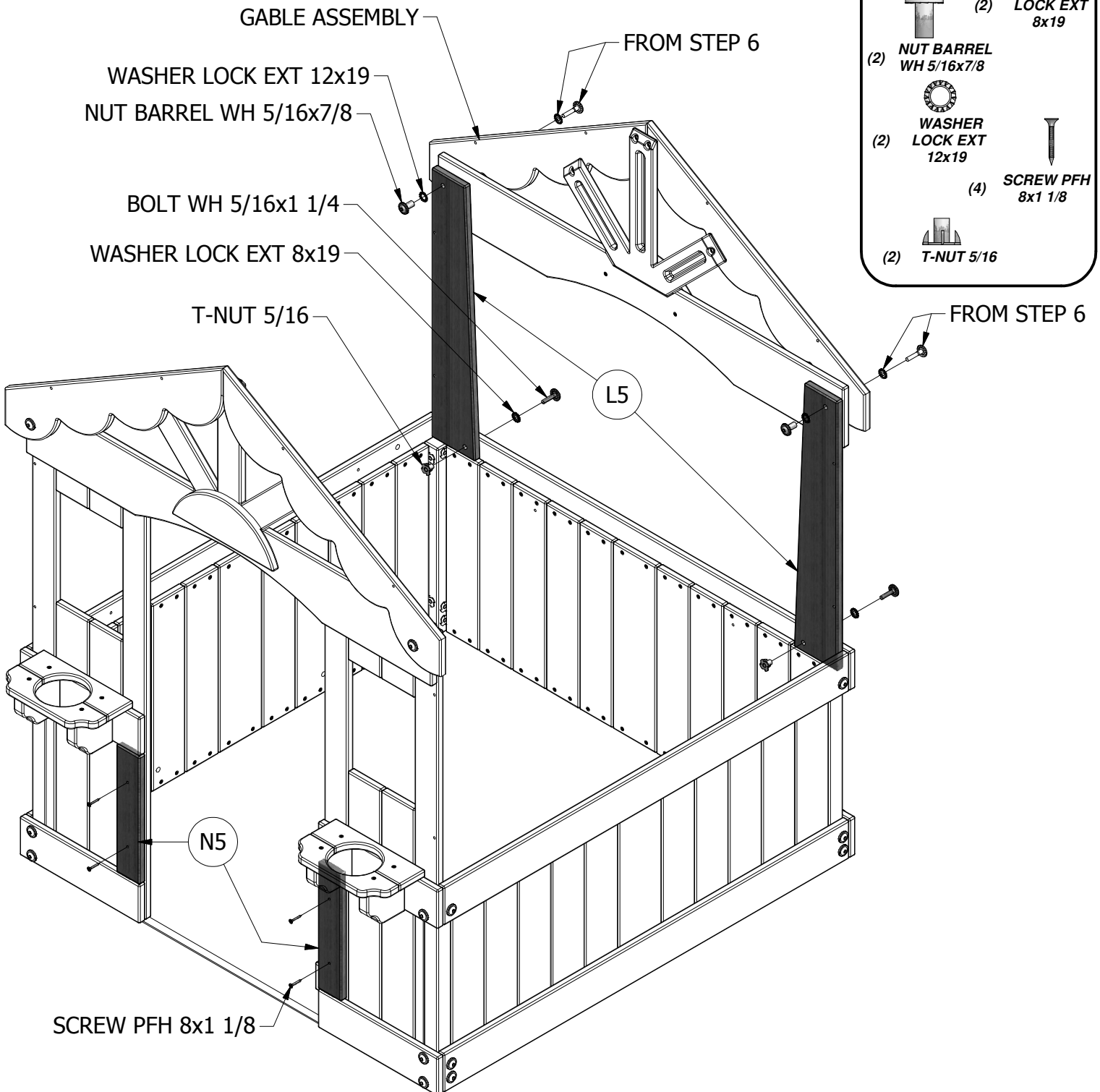
(2) L5 - ANGLED WALL BOARD - W103886
5/8"x4 3/8"x23 3/4" (16x112x602)



(2) N5 - DOOR TRIM - W104055
5/8"x2 3/8"x11 1/4" (16x60x286)

PLAY HOUSE ASSEMBLY

Step 12





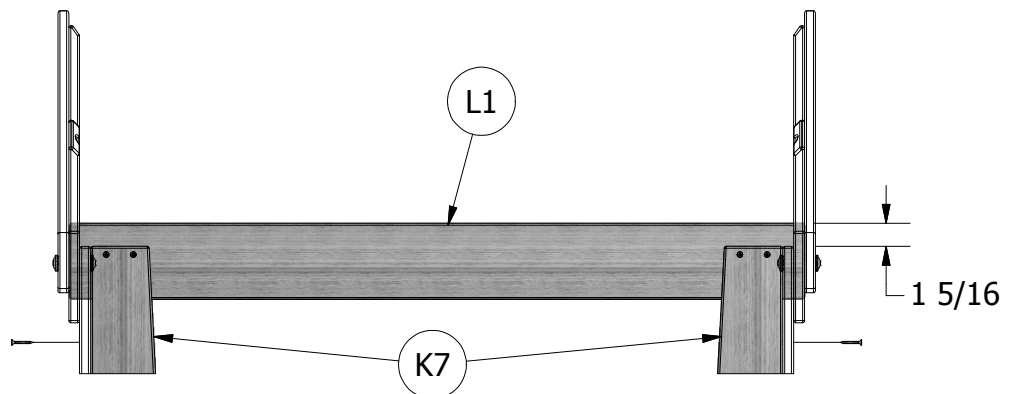
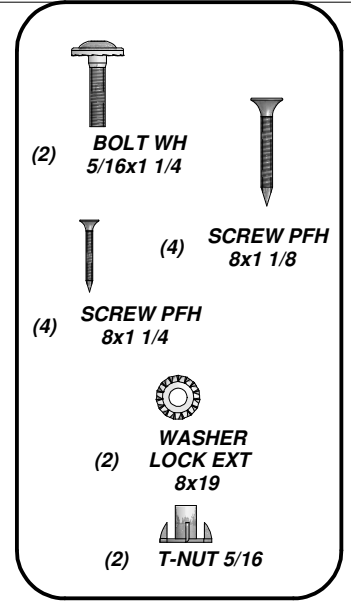
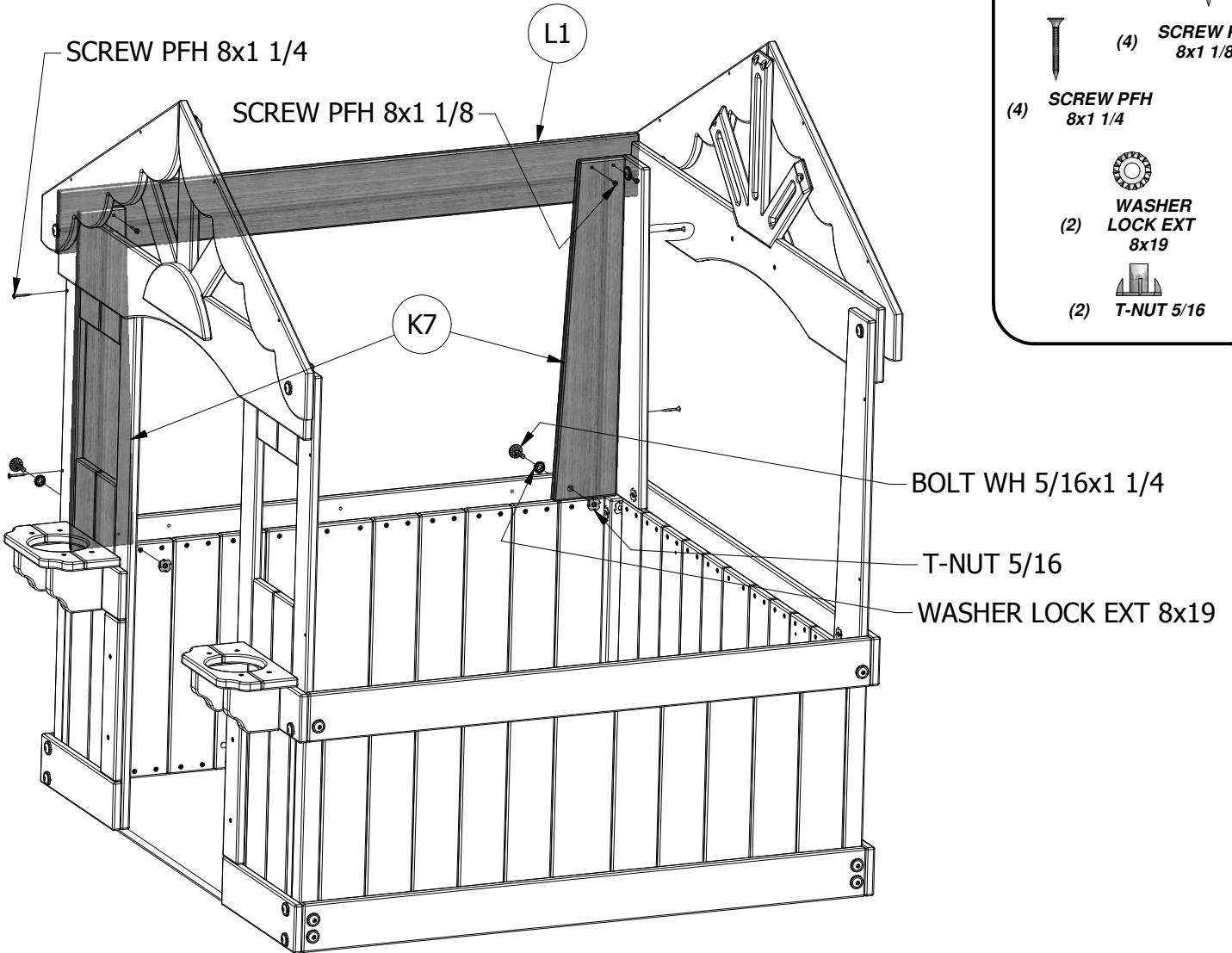
(1) **L1 - SIDE WALL HEADER - W103887**
5/8"x4 3/8"x42 5/8" (16x112x1082)



(2) **K7 - ANGLED WALL BOARD - W103885**
5/8"x4 5/8"x23 3/4" (16x117x602)

PLAY HOUSE ASSEMBLY

Step 13





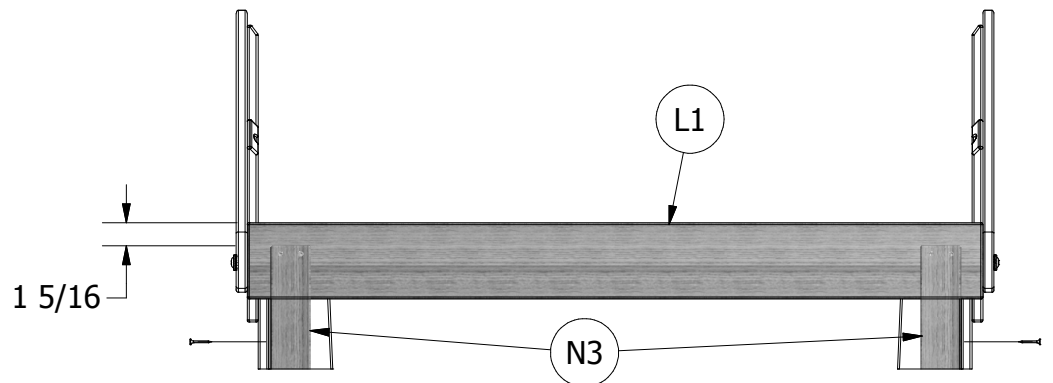
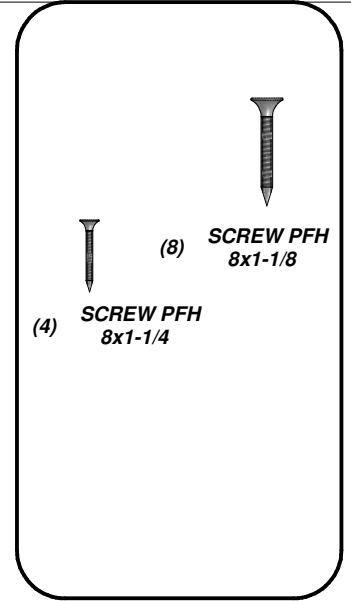
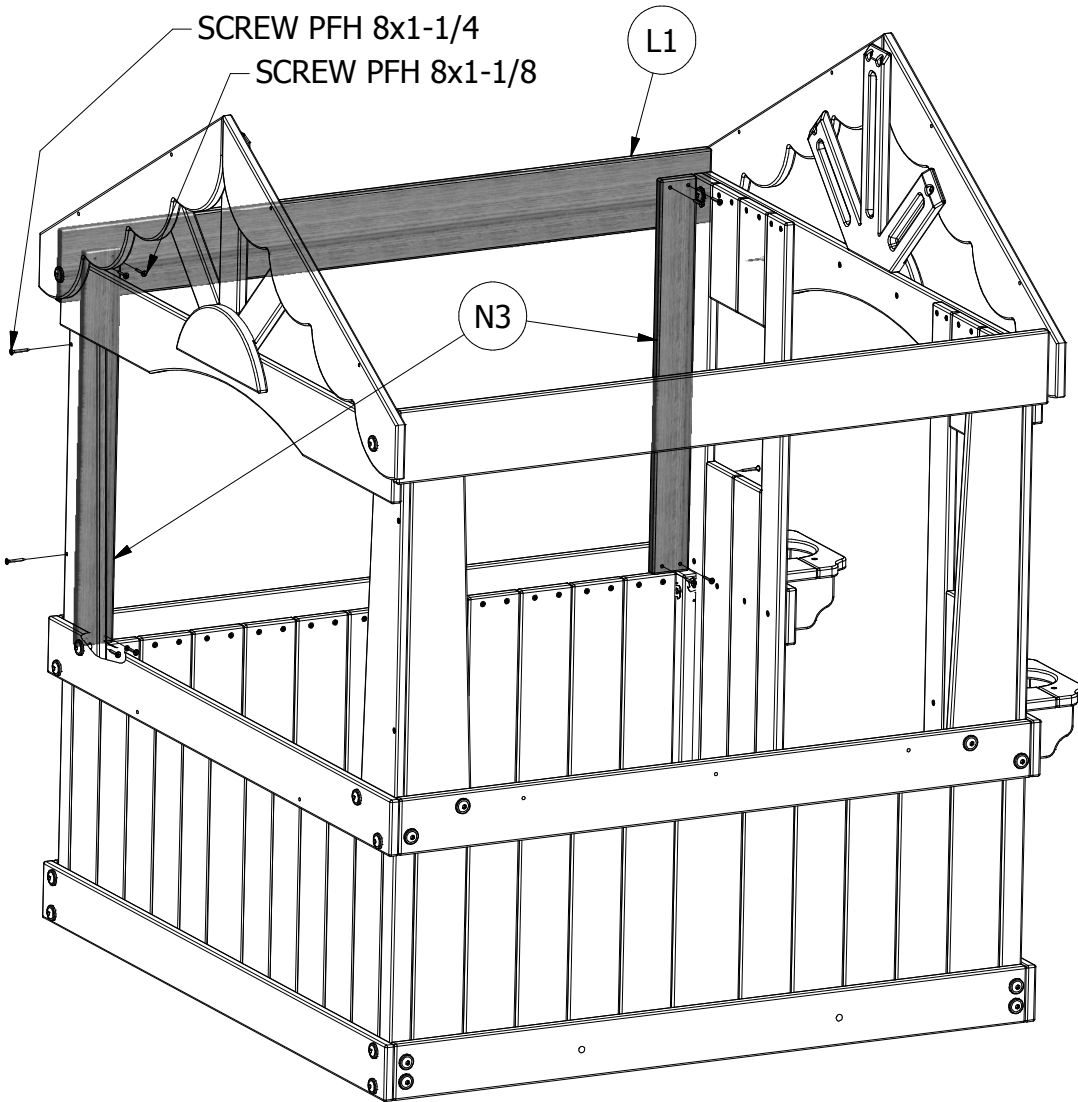
(1) **L1 - SIDE WALL HEADER - W103887**
5/8"x4 3/8"x42 5/8" (16x112x1082)



(2) **N3 - WALL BOARD - W103888**
5/8"x2 3/8"x23 3/4" (16x60x602)

PLAY HOUSE ASSEMBLY

Step 14





(4) **M5 - WALL BOARD - W103889**
5/8"x3 3/8"x7" (16x86x178)



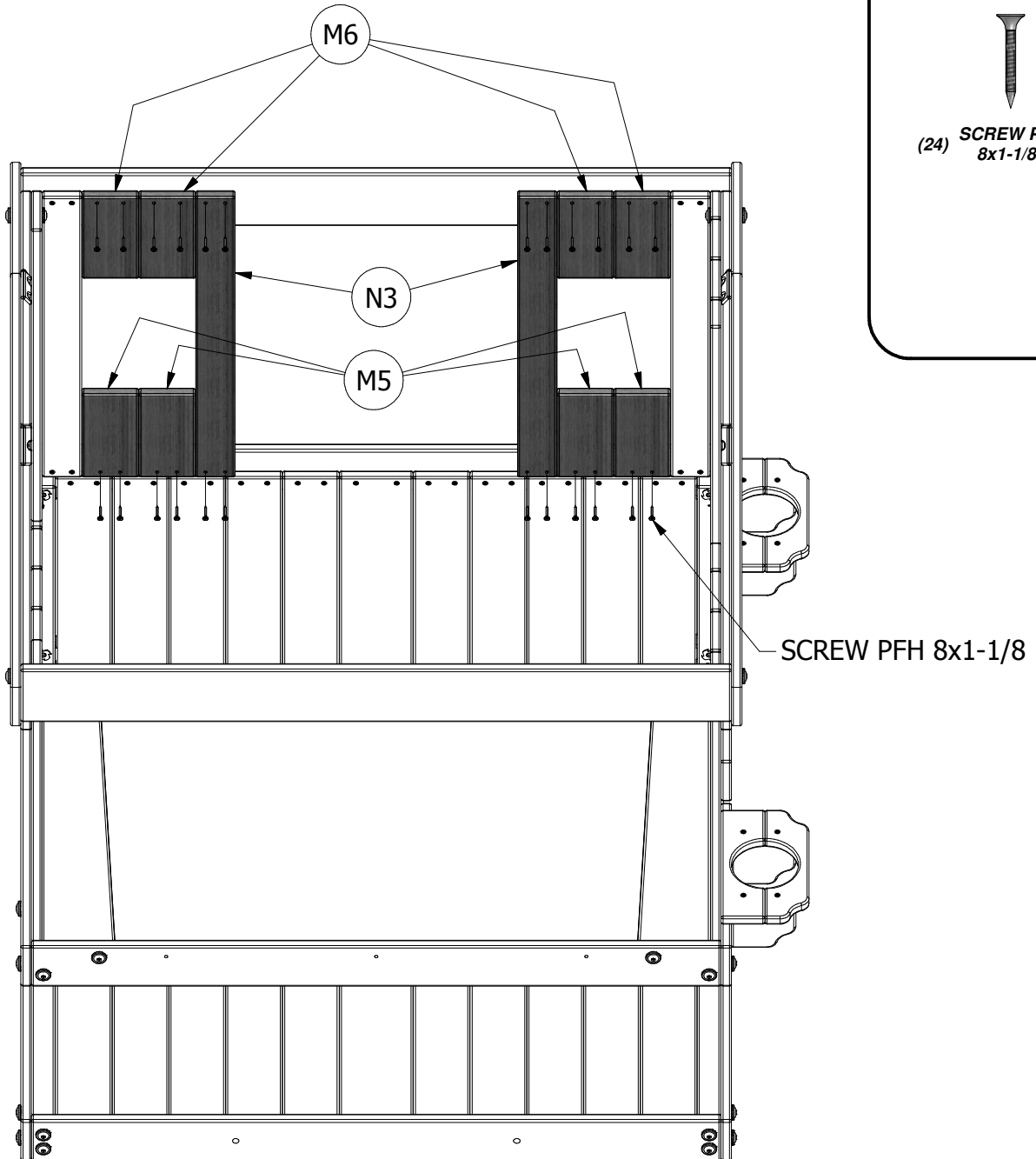
(4) **M6 - WALL BOARD - W103884**
5/8"x3 3/8"x6 7/8" (16x86x175)



(2) **N3 - WALL BOARD - W103888**
5/8"x2 3/8"x23 3/4" (16x60x602)

PLAY HOUSE ASSEMBLY

Step 15

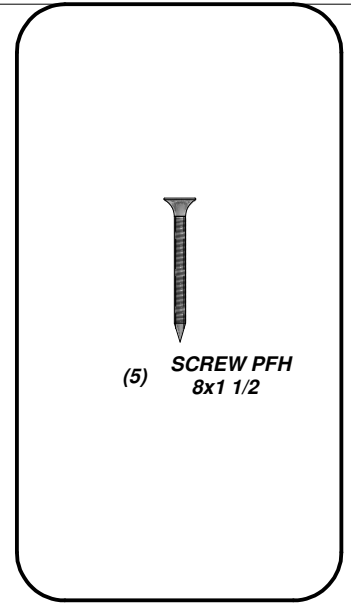
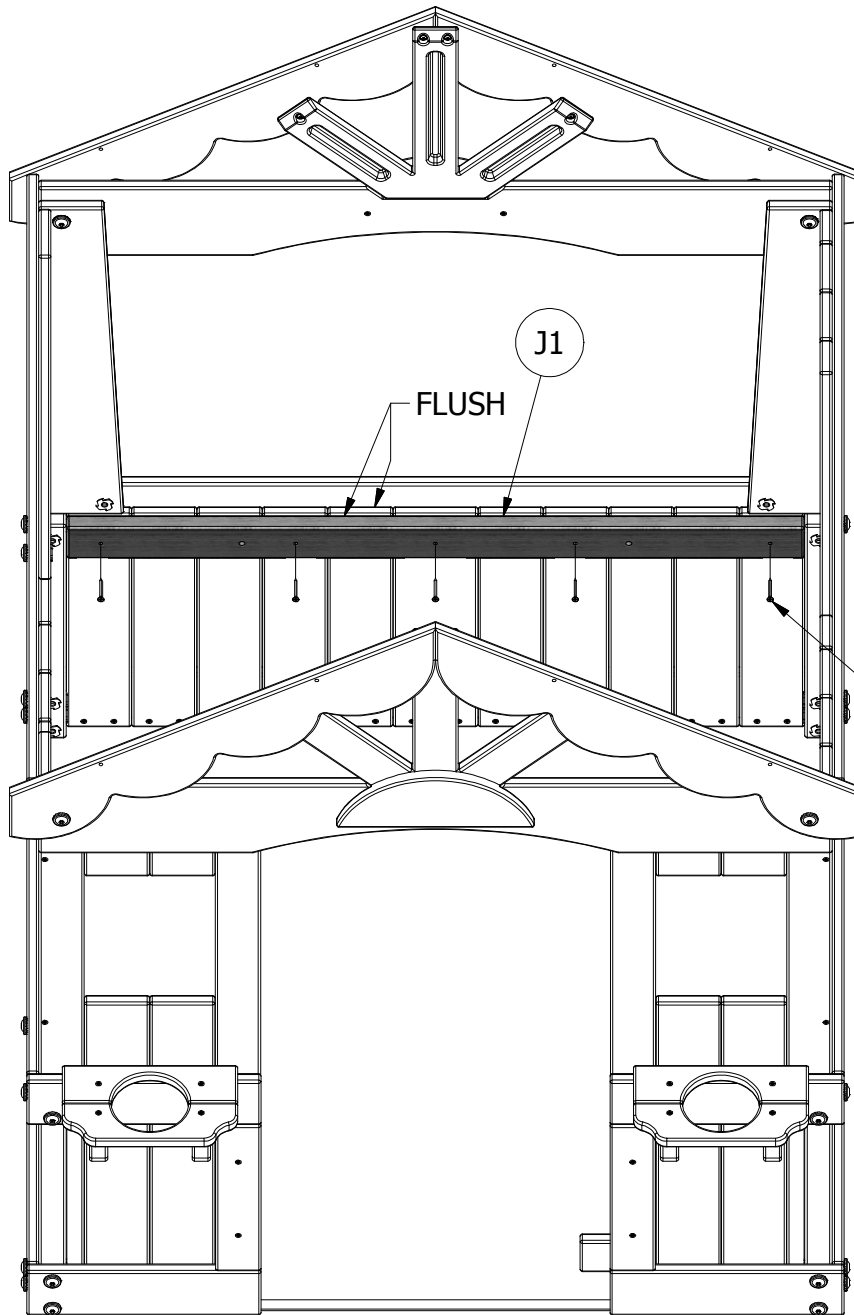




(1) **J1 - SHELF SUPPORT - W103895**
1"x2 3/8"x38 3/8" (24x60x976)

PLAY HOUSE ASSEMBLY

Step 16



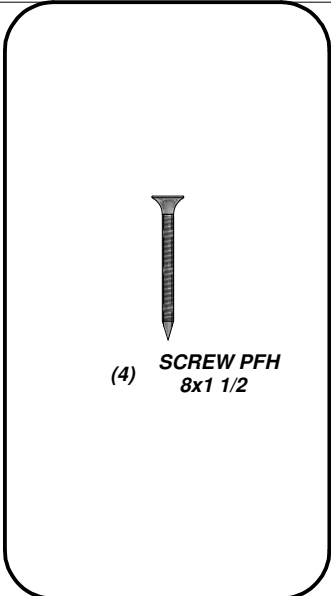
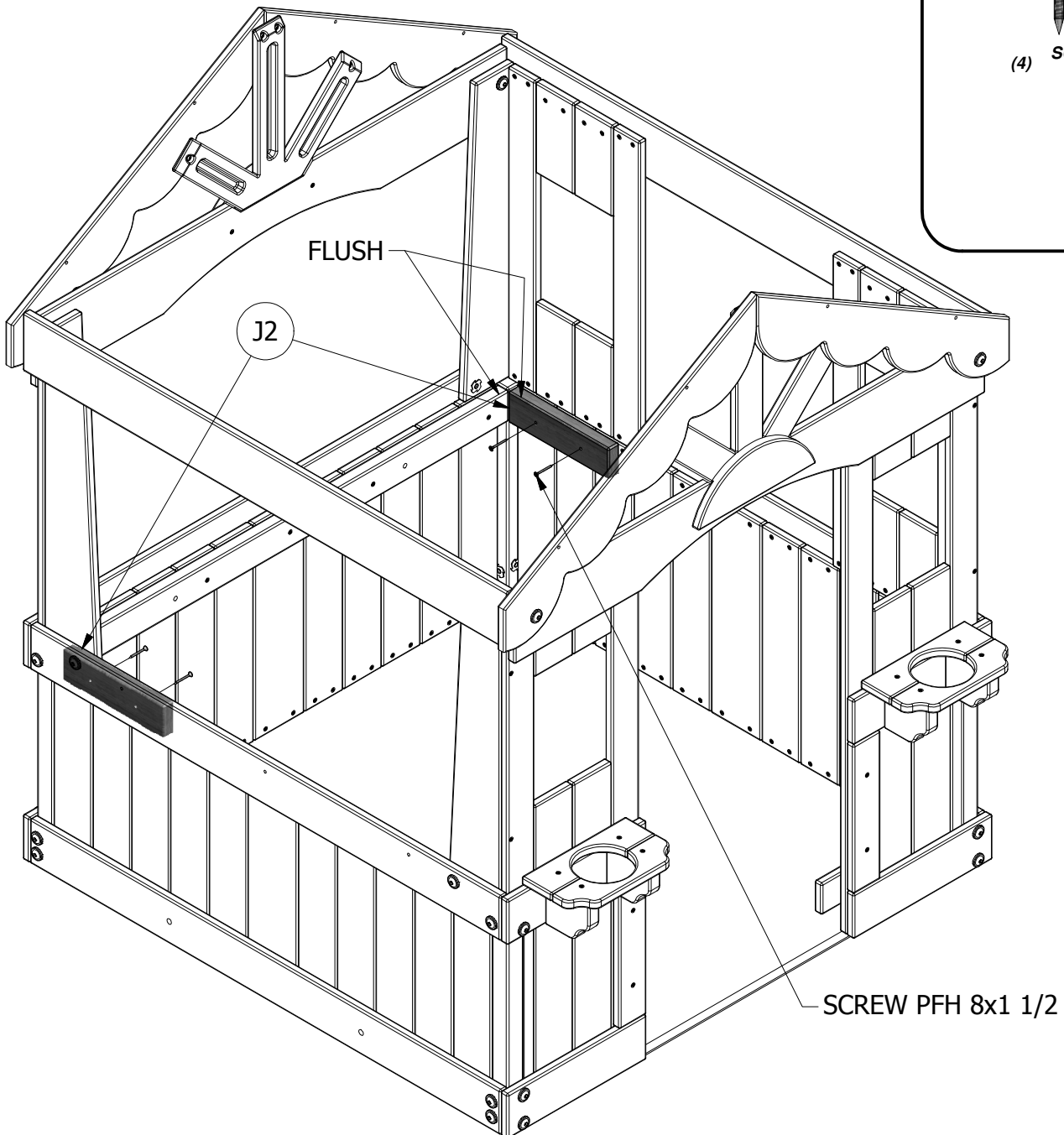
SCREW PFH 8x1 1/2

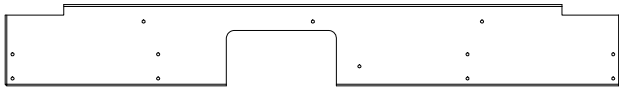


- (2) **J2 - SHELF SUPPORT - W103896**
1"x2 3/8"x8 7/8" (24x60x224)

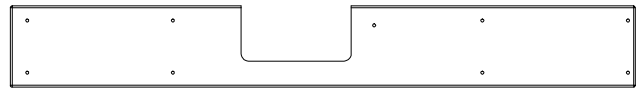
PLAY HOUSE ASSEMBLY

Step 17





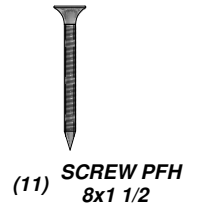
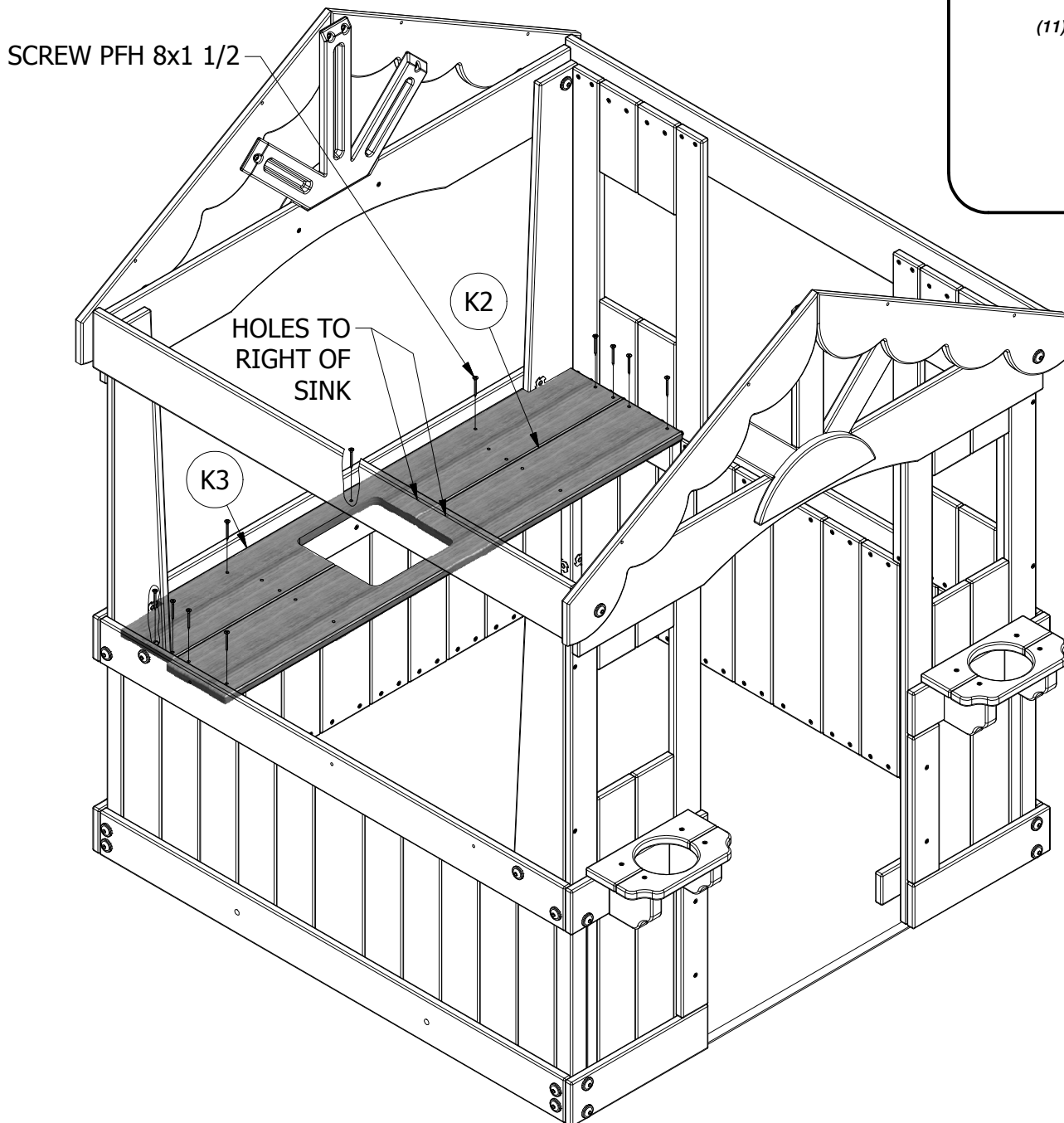
(1) **K3 - REAR COUNTER TOP - W103894**
5/8"x5 1/4"x40 1/8" (16x134x1018)



(1) **K2 - FRONT COUNTER TOP - W103893**
5/8"x5 1/4"x40 3/4" (16x134x1034)

PLAY HOUSE ASSEMBLY

Step 18

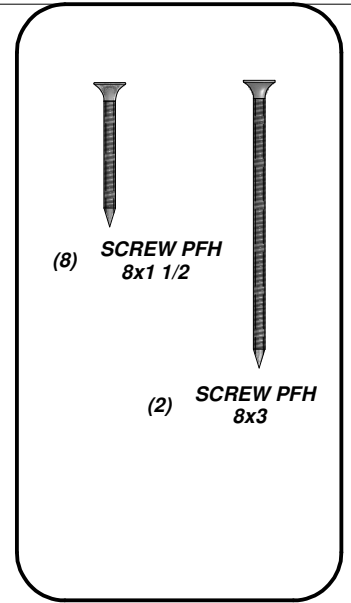
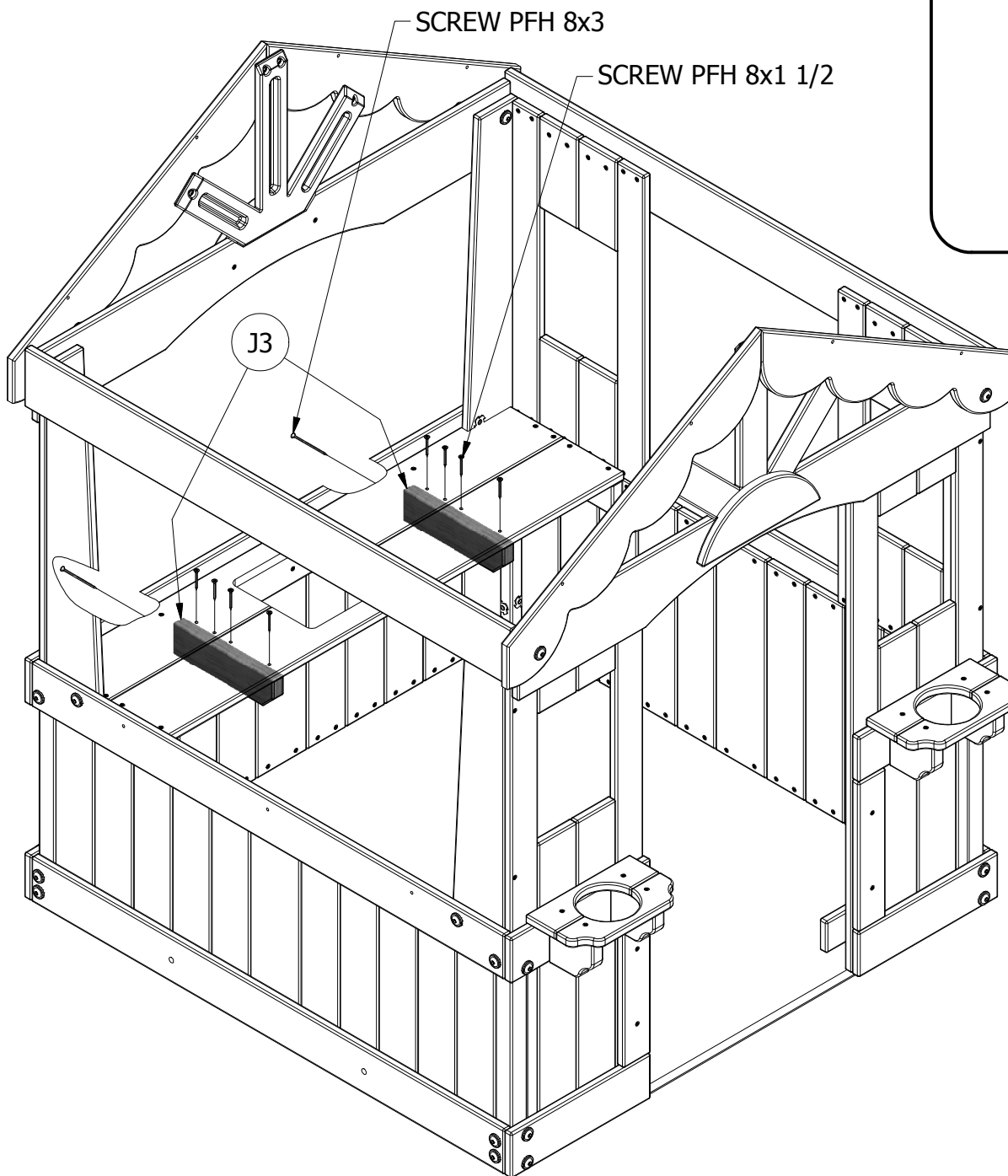


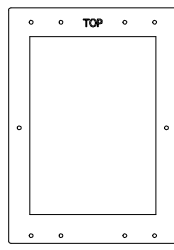
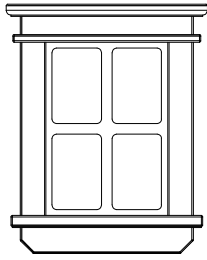


(2) **J3 - SHELF SUPPORT - W103897**
1"x2 3/8"x8 7/8" (24x60x224)

PLAY HOUSE ASSEMBLY

Step 19





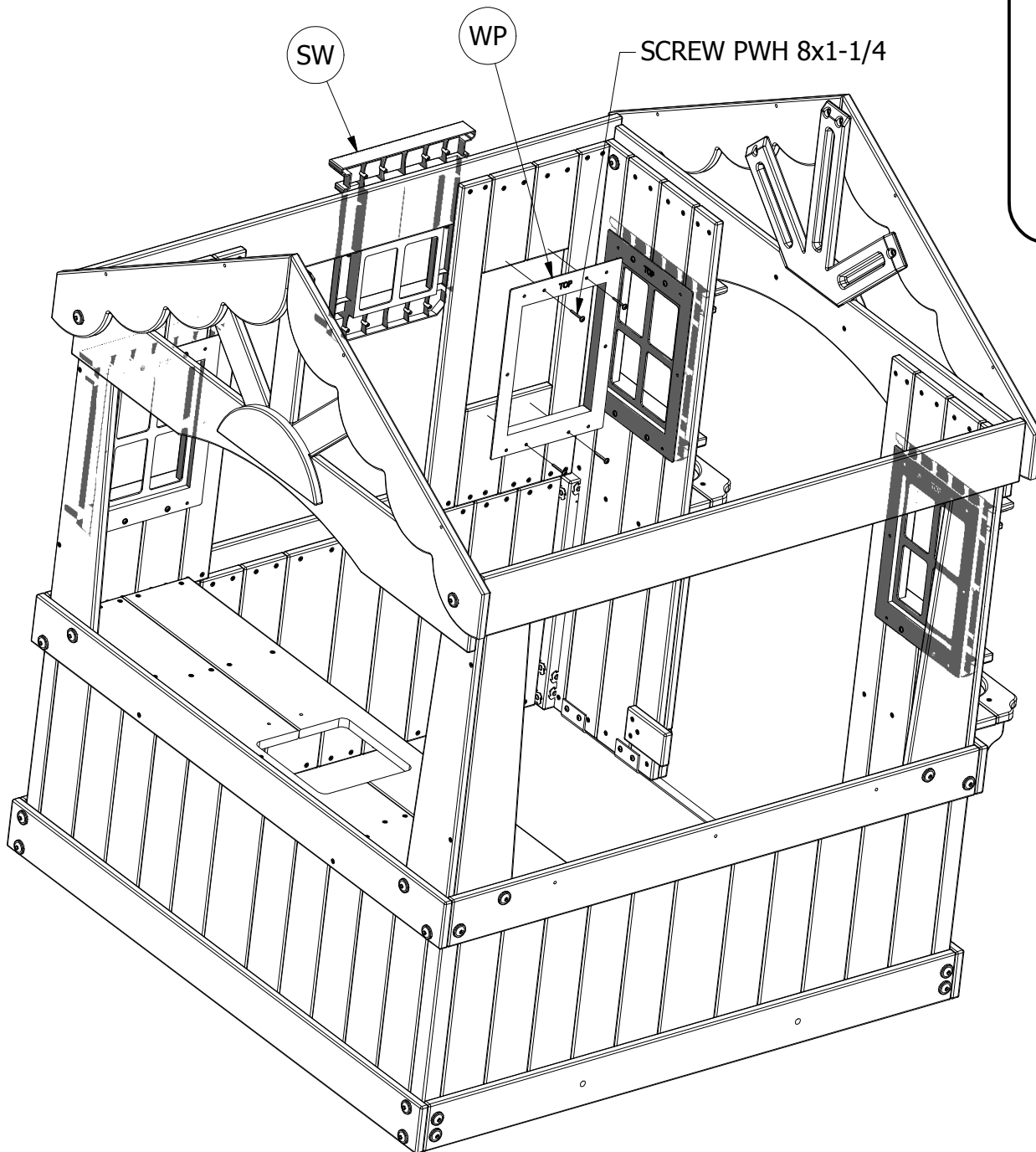
(4) WP - SMALL PLASTIC WINDOW INSIDE TRIM - A100364

(4) SW - PLASTIC WINDOW 44x266x329 - A100320

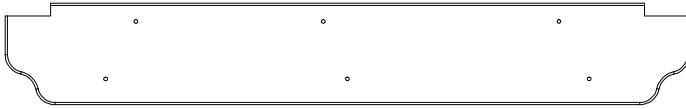
PLAY HOUSE ASSEMBLY

Step 20

Center windows in openings and attach as shown.
Pre-drilling 3/16" holes using WP as a guide is recommended.



(16) SCREW PWH
8x1-1/4



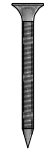
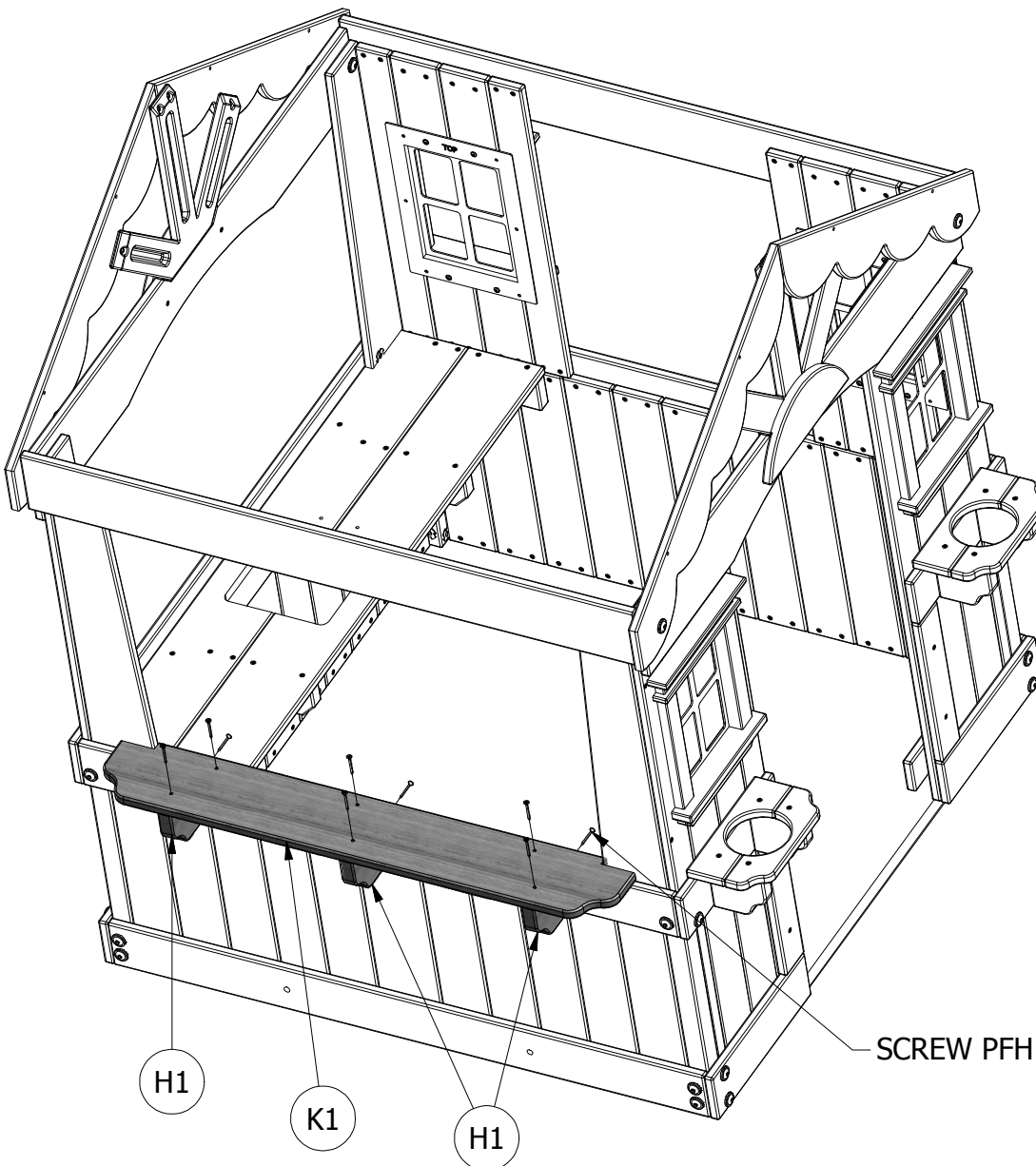
(1) **K1 - SERVING SHELF - W103890**
5/8"x5 1/4"x35 5/8" (16x134x906)



(3) **H1 - SHELF SUPPORT - W103891**
1"x3 3/8"x3 7/8" (24x86x98)

PLAY HOUSE ASSEMBLY

Step 21



(9) **SCREW PFH**
8x1 1/2

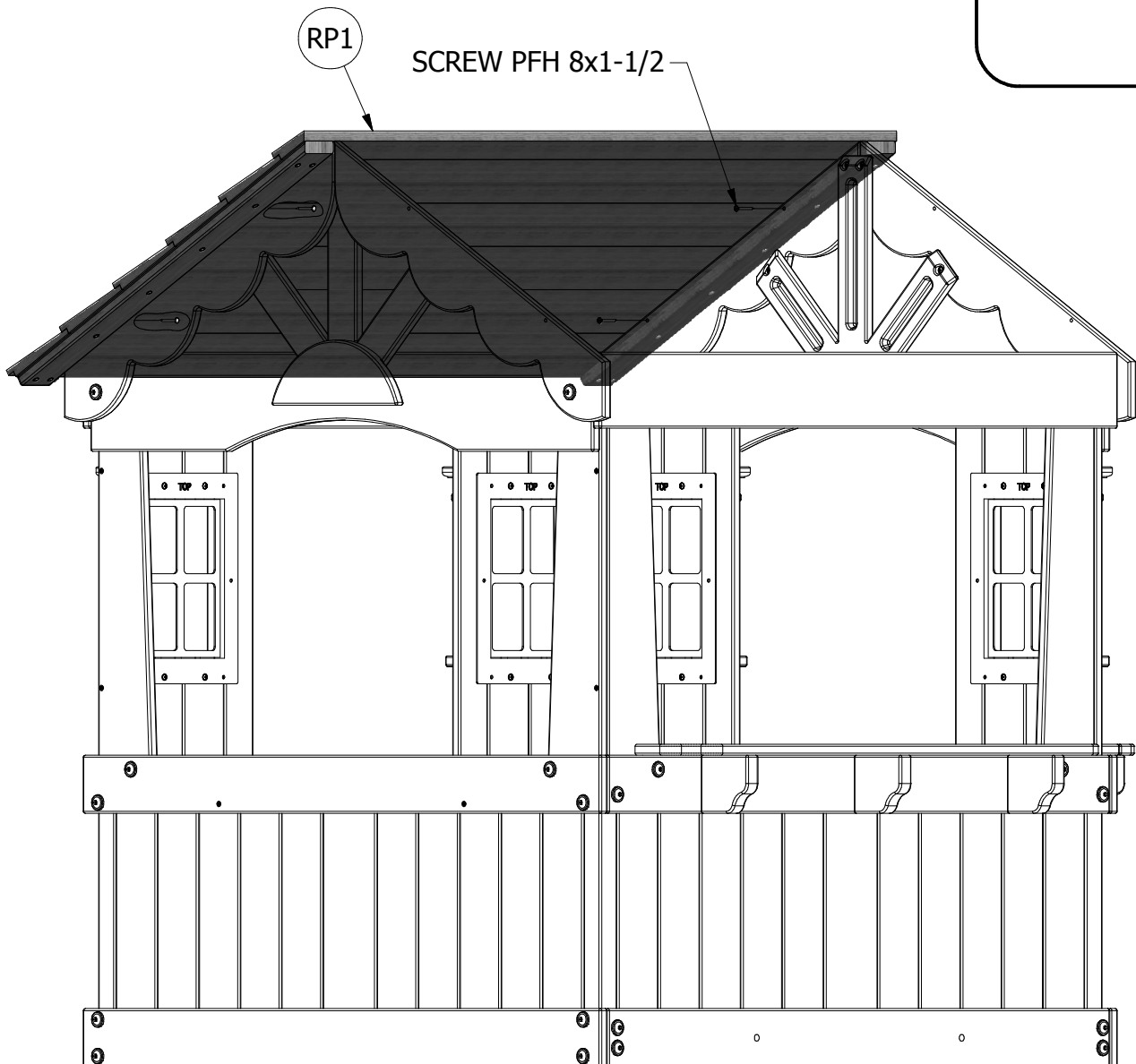
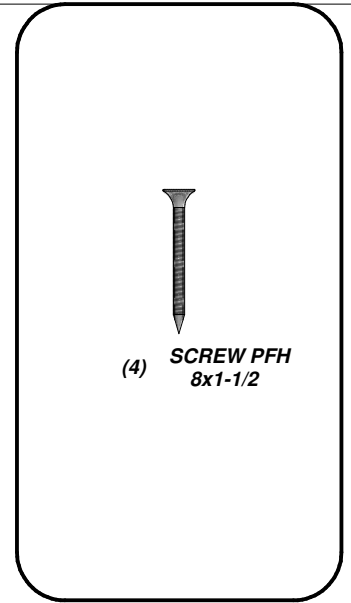
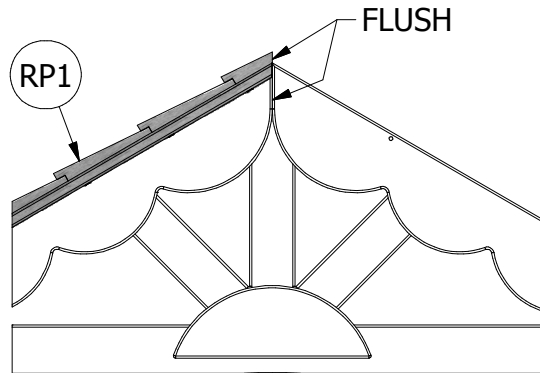
SCREW PFH 8x1 1/2

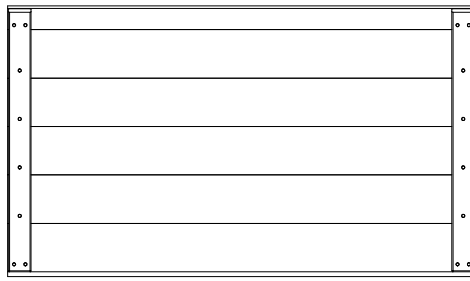


(1) **RP1 - ROOF PANEL - W104046**
1 3/8"x28 1/8"x48 3/4" (34x715x1238)

PLAY HOUSE ASSEMBLY

Step 22

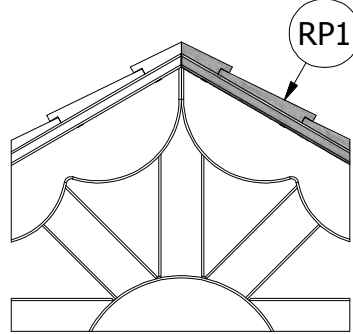




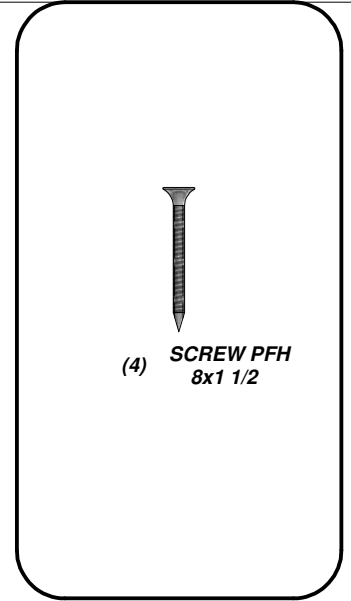
(1) **RP1 - ROOF PANEL - W104046**
1 3/8"x28 1/8"x48 3/4" (34x715x1238)

PLAY HOUSE ASSEMBLY

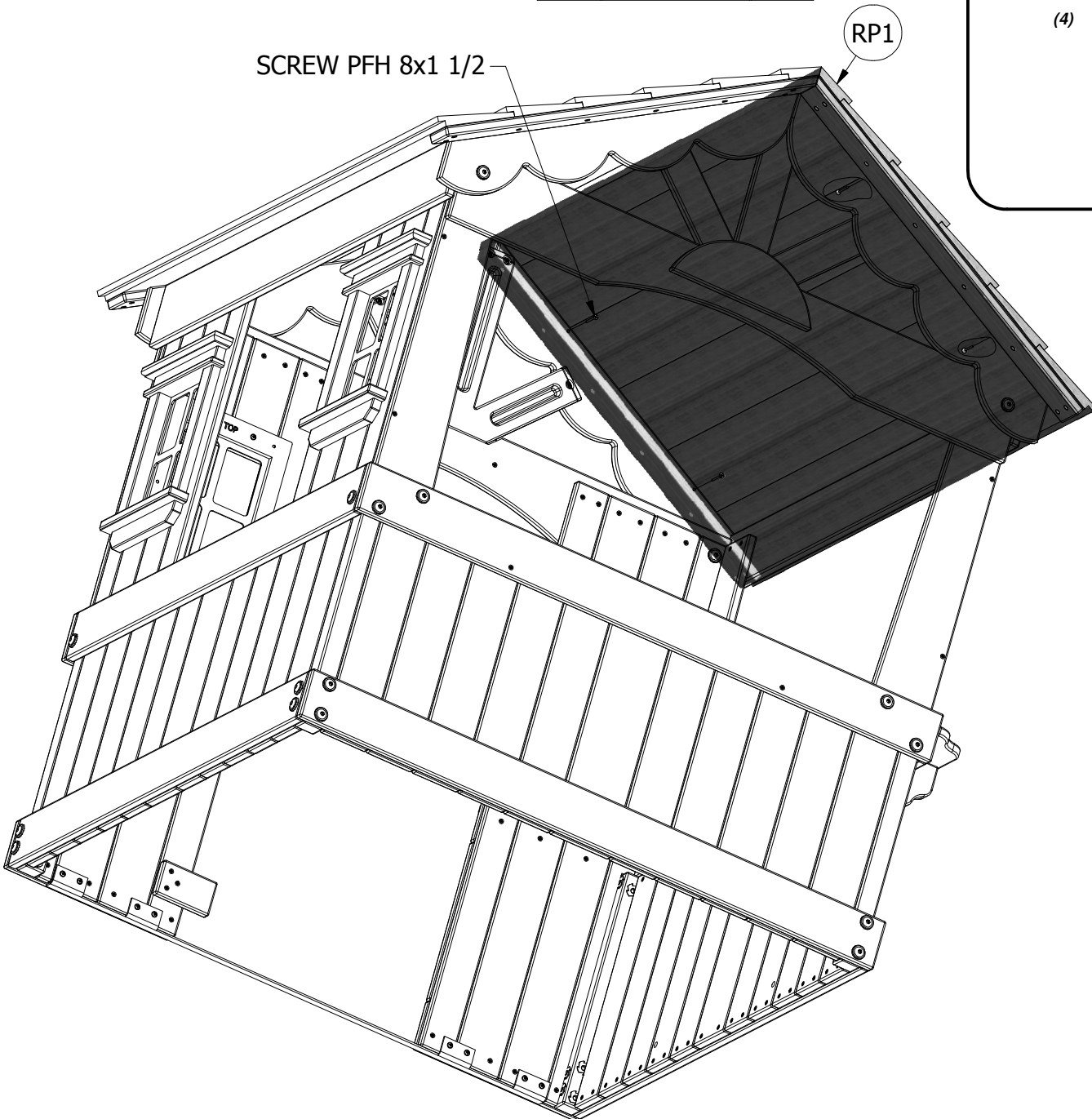
Step 23



RP1

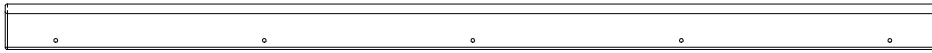


(4) **SCREW PFH**
8x1 1/2

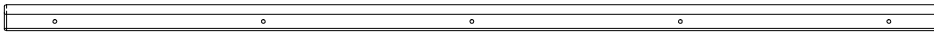


SCREW PFH 8x1 1/2

RP1



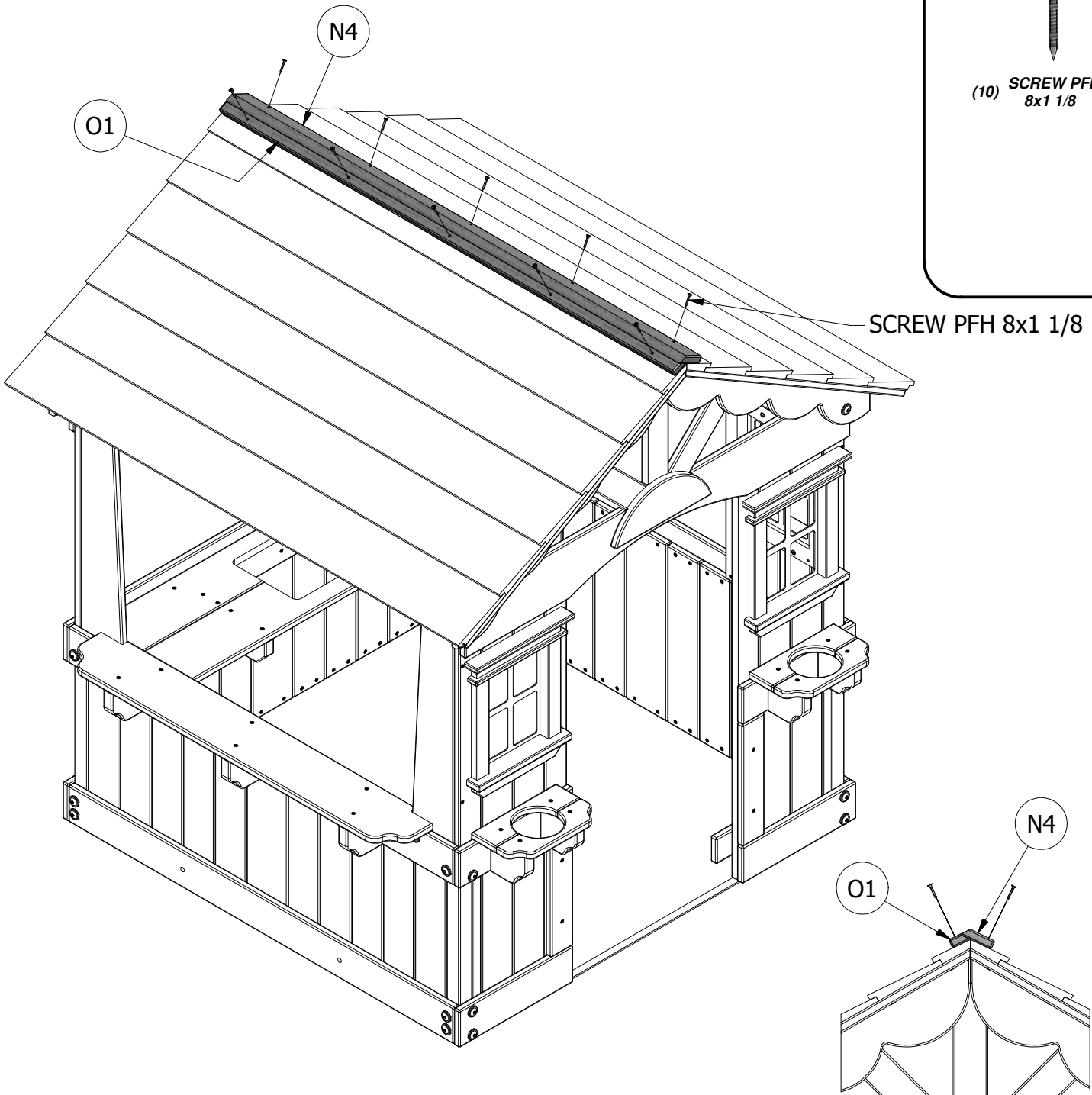
(1) **N4 - ROOF CAP - W104049**
5/8"x2 3/8"x48 3/4" (16x60x1238)

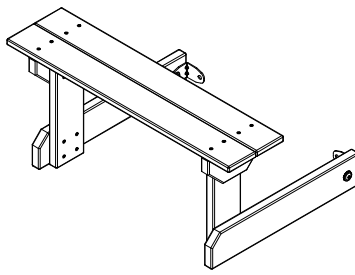


(1) **O1 - ROOF CAP - W104050**
5/8"x1 3/8"x48 3/4" (16x34x1238)

PLAY HOUSE ASSEMBLY

Step 24

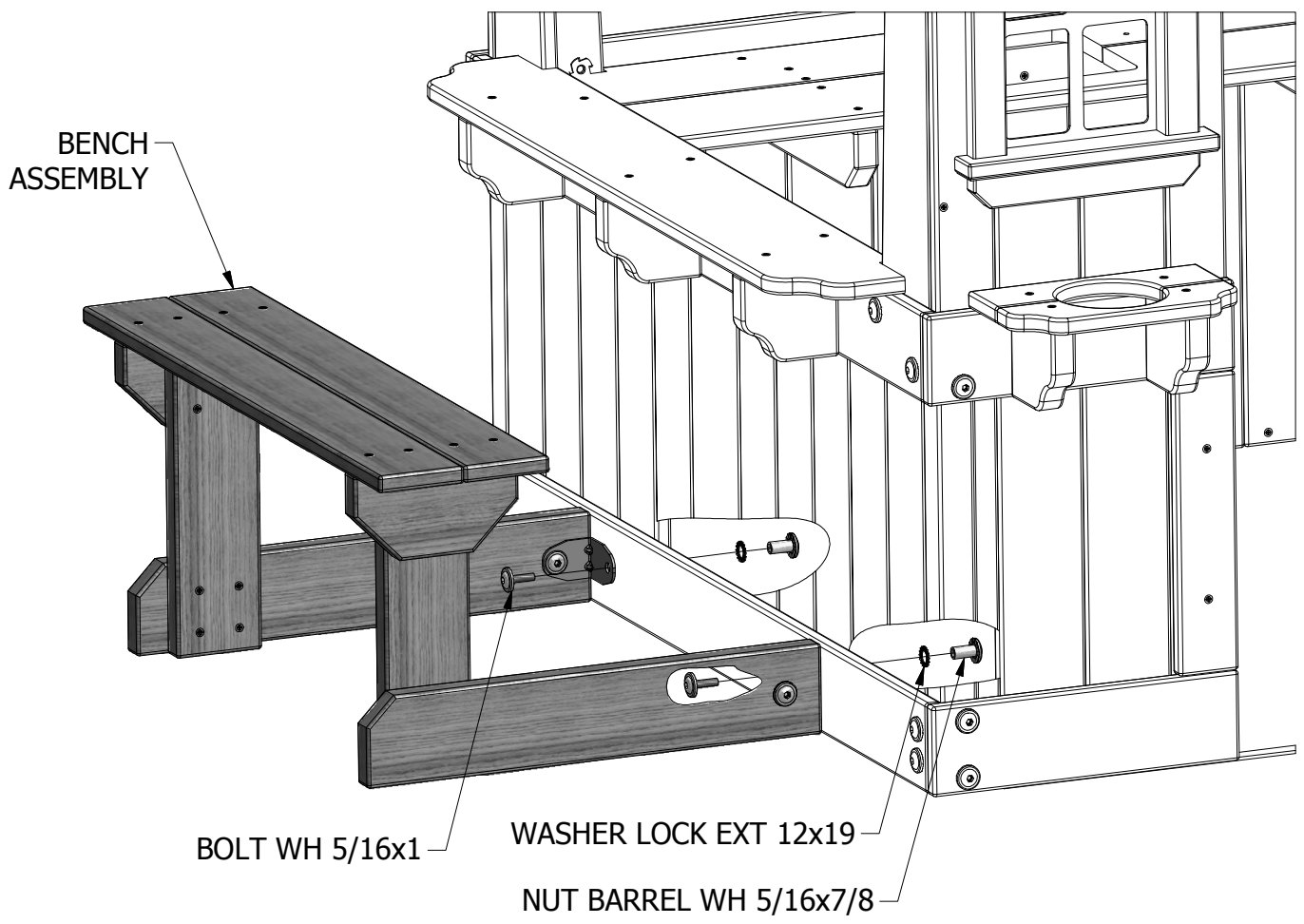
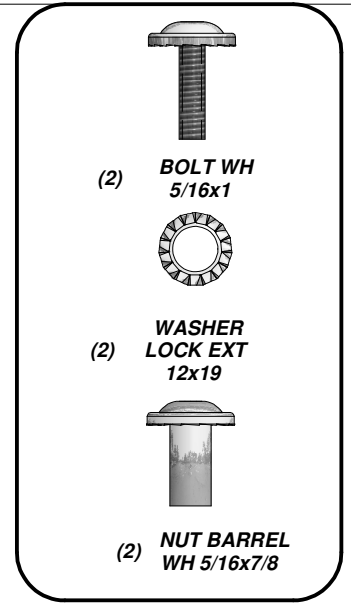


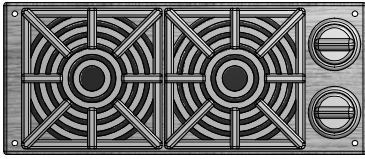


(1) **BENCH ASSEMBLY**

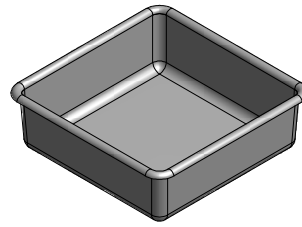
PLAY HOUSE ASSEMBLY

Step 25





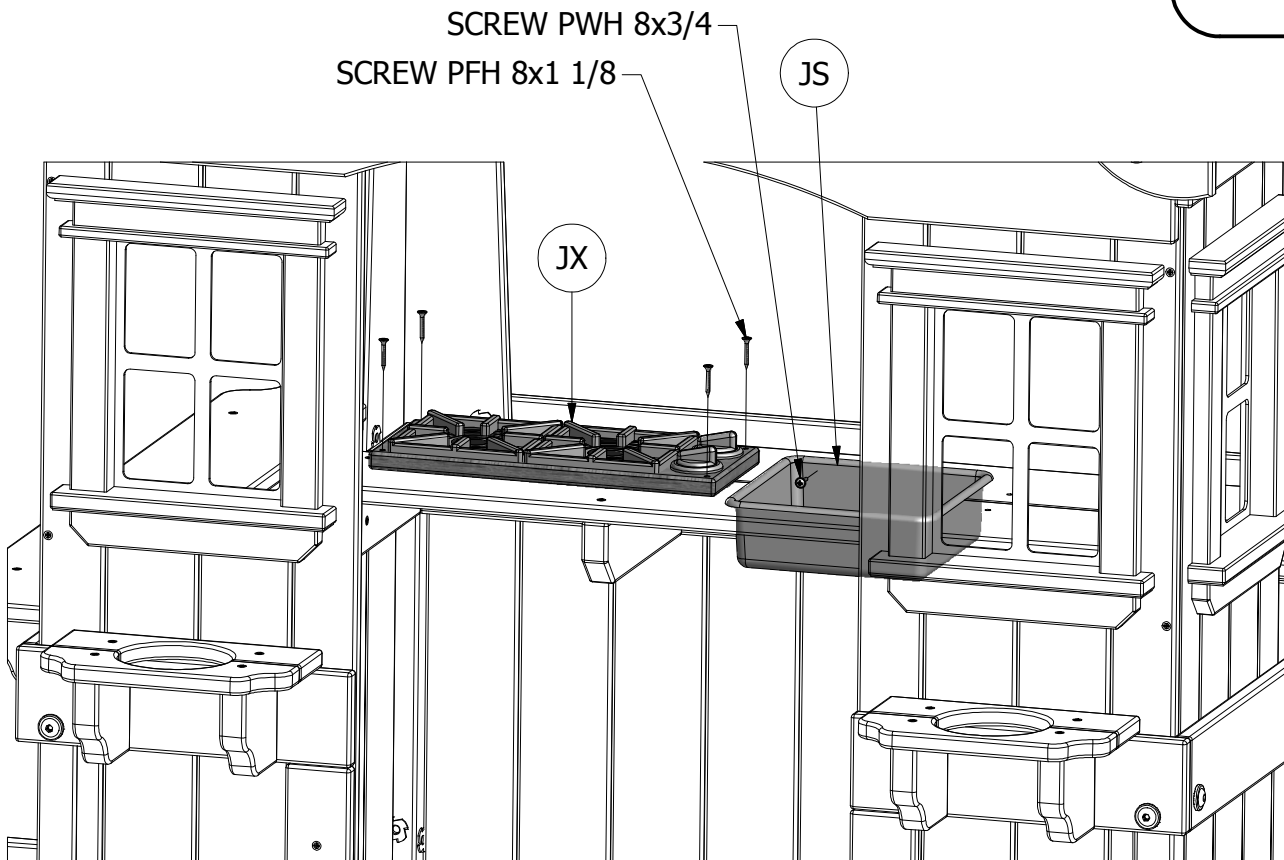
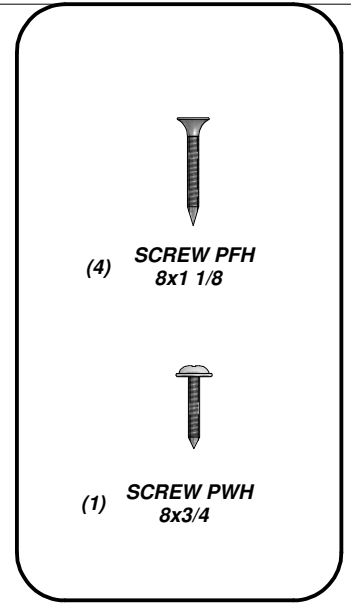
(1) **JX - STOVE ASSEMBLY - A100136**



(1) **JS - SQUARE SINK BOWL - A100129**

PLAY HOUSE ASSEMBLY

Step 26





(1) JR - FAUCET KIT - A100125



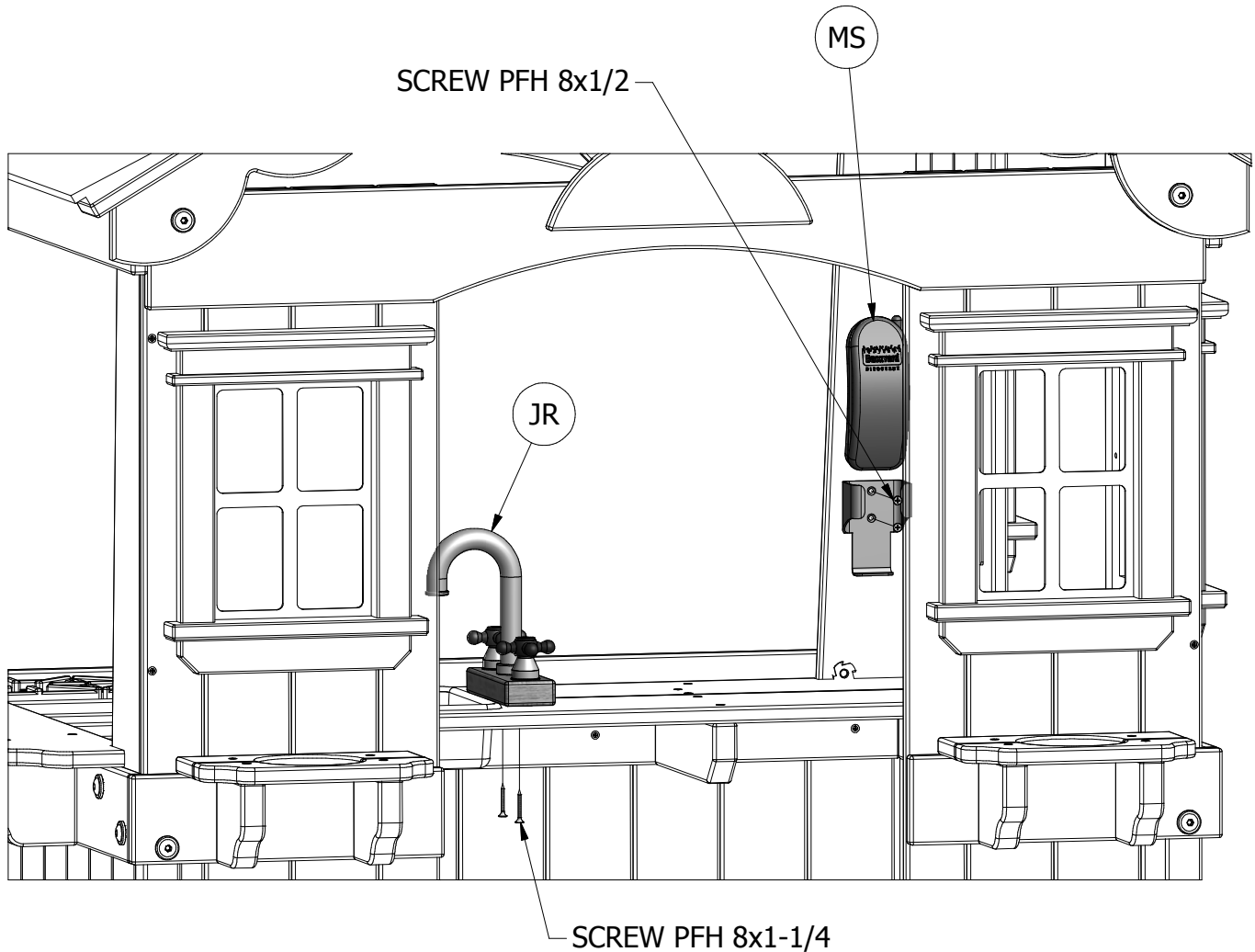
(1) MS - PHONE KIT - A100132

PLAY HOUSE ASSEMBLY

Step 27

(2) SCREW PFH
8x1-1/4

(2) SCREW PFH
8x1/2



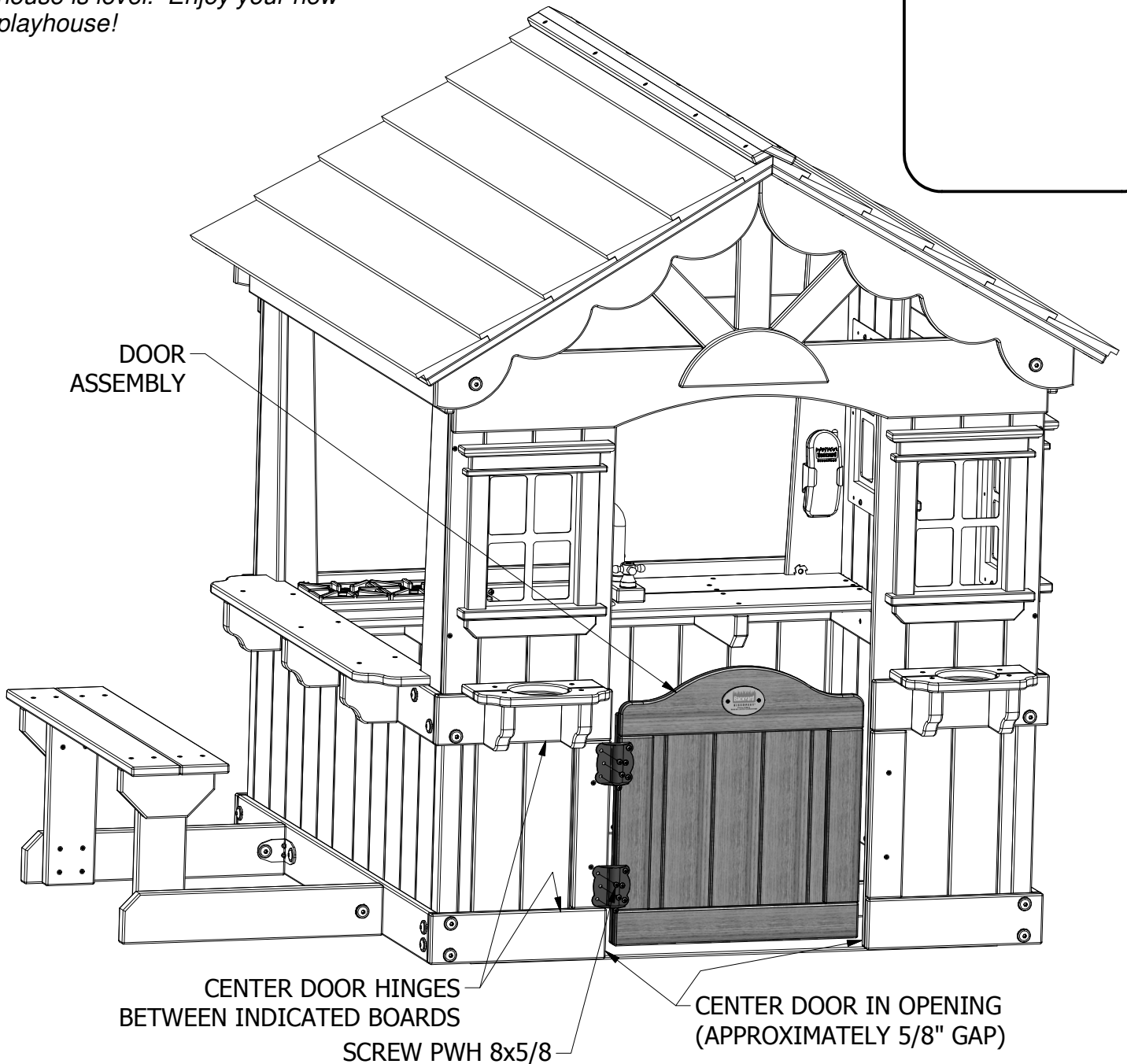
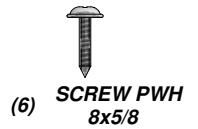


(1) DOOR ASSEMBLY

PLAY HOUSE ASSEMBLY

Step 28

Upon completion of this step, double check to make sure every bolt, screw and nut is tight. Make sure every board is secure. Make sure the play house is level. Enjoy your new playhouse!



Limited Warranty

This Limited Warranty by Backyard Discovery applies to products manufactured under the Backyard Discovery brand or its other brands including but not limited to Backyard Botanical, Adventure Playsets, and Leisure Time Products.

Backyard Discovery warrants that this product is free from defect in materials and workmanship for a period of one (1) year from the original date of purchase. This one (1) year warranty covers all parts including wood, hardware, and accessories. All wood carries a five (5) year pro-rated warranty against rot and decay. Refer to the schedule below for charges associated with replacement of parts under this Limited Warranty. In addition, Backyard Discovery will replace any parts within the first 30 days from date of purchase found to be missing from or damaged in the original packaging.

*This warranty applies to the original owner and registrant and is **non-transferable**. Regular maintenance is required to assure maximum life and performance of this product and failure by the owner to maintain the product according to the maintenance requirements may void this warranty. Maintenance guidelines are provided in the Owner's Manual.*

This Limited Warranty does not cover:

- *Labor for any inspection*
- *Labor for replacement of any defective item(s)*
- *Incidental or consequential damages*
- *Cosmetic defects which do not affect performance or integrity of a part or the entire product*
- *Vandalism, improper use, failure due to loading or use beyond the capacities stated in the applicable Assembly Manual.*
- *Acts of nature including but not limited to wind, storms, hail, floods, excessive water exposure*
- *Improper installation including but not limited to installation on uneven, unlevel, or soft ground*
- *Minor twisting, warping, checking, or any other natural occurring properties of wood that do not affect performance or integrity*

Backyard Discovery products have been designed for safety and quality. Any modifications made to the original product could damage the structural integrity of the unit leading to failure and possible injury. Modification voids any and all warranties and Backyard Discovery assumes no liability for any modified products or consequences resulting from failure of a modified product.

This product is warranted for RESIDENTIAL USE ONLY. Under no circumstance should a Backyard Discovery product be used in public settings. Such use may lead to product failure and potential injury. Any and all public use will void this