



# Scout 2-IN-1 Balance Bike

## Owner's Manual



### **WARNING!**

The disassembled product may contain small parts which pose a choking hazard to children under 3.

### **IMPORTANT:**

This product may contain sharp points and small parts prior to assembly.

The owner's manual contains safety, assembly, use and maintenance instructions. This product must be assembled by an adult who has read and understood these instructions. Keep the packaging away from children and dispose of all packaging before use.

For the installer and your children's safety, it is important to fully read and understand the instructions and safety hazards before commencing the assembly of the product.

# SAFETY INSTRUCTIONS

Please keep manual for future reference.

Recommended for ages: 3 Years Old +

Maximum user weight: 30kg



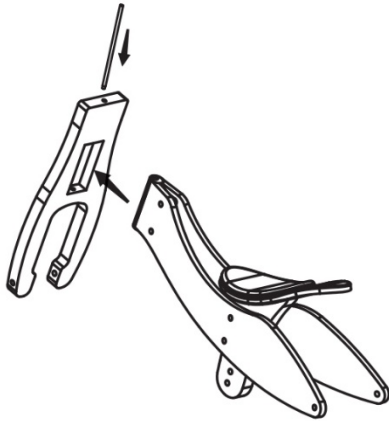
- The product should always be used under supervision.
- It is prohibited to be used in public traffic, dangerous zones, water, stairways or slopes.
- To be used by one rider only.
- This toy requires skills to avoid falling or collisions, resulting in possible injuries to the user or to third parties.
- Teach the child on the proper use of the bike and explain the possible dangers.
- Instruct the child on how to stop before using the toy.
- This item is to be used on smooth, level, dry surfaces. Different surfaces may create an impediment.
- Product should be checked by an adult before use. Check that loose parts are tighten and secured.
- Do not use the product if it is damaged or defective, please contact a qualified technician.

## Assembly & Maintenance Advice

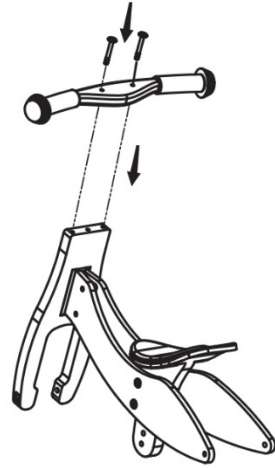
- The bike is pre-assembled by supplier. The seat is in the lowest position for beginner.
- The steering bar is to be tightened with the accessory screws (see picture).  
**Attention: The screws should not be tightened with too much power.**
- Bike can be cleaned with a wet dishcloth, do not use harsh chemical or cleaning products.
- Store and protect from water.

# ASSEMBLY INSTRUCTIONS

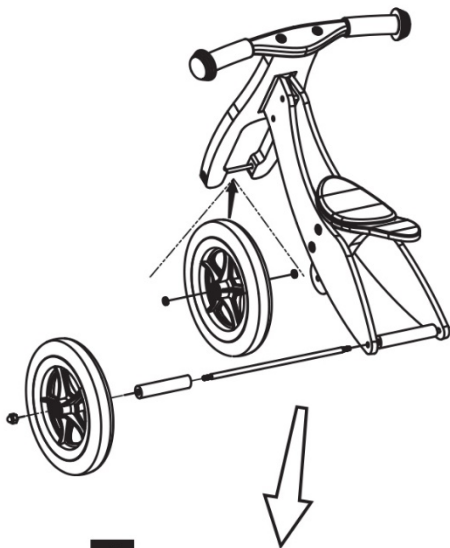
1



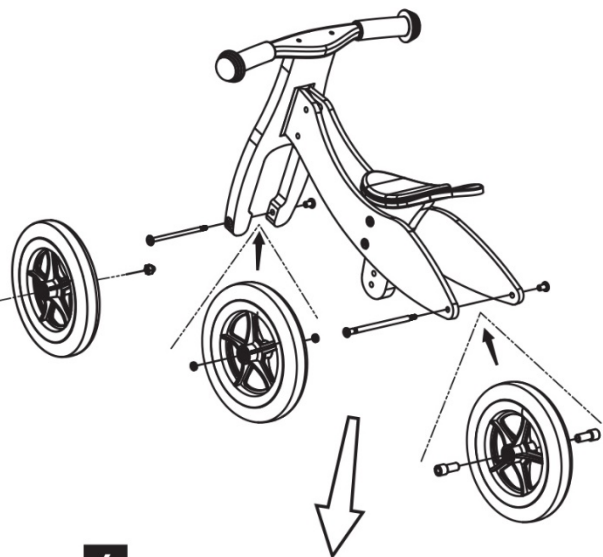
2



3



3



4



4



# WARRANTY

## AUSTRALIAN CONSUMER LAW

*Many of our products come with a guarantee or warranty from the manufacturer. In addition, they come with guarantees that cannot be excluded under the Australian Consumer Law. You are entitled to a replacement or refund for a major failure and compensation for any other reasonably foreseeable loss or damage.*

*You are entitled to have the goods repaired or replaced if the goods fail to be of acceptable quality and the failure does not amount to a major failure.*

*Full details of your consumer rights may be found at [www.consumerlaw.gov.au](http://www.consumerlaw.gov.au)*

Please visit our website to view our full warranty terms and conditions:

<https://www.lifespankids.com.au/pages/warranty-repairs>

### **Warranty and Support:**

Please email us at [support@lifespankids.com.au](mailto:support@lifespankids.com.au) for all warranty or support issues.