

TP368P

TP Forest Toddler Wooden Climbing Frame & Slide

TP369P

TP Forest Toddler Wooden Swing Set & Slide

Instructions for assembly, maintenance and safe use.

We constantly strive to improve our assembly instructions. To see the most current version of this instruction for assembly, maintenance and safe use. Please visit the product page at tptoys.com



TP368P TP Forest Toddler Wooden Climbing Frame & Slide



TP369P TP Forest Toddler Wooden Swing Set & Slide

Sand not included

WARNINGS!

THIS PRODUCT CONTAINS SMALL PARTS AND IS NOT SUITABLE FOR CHILDREN UNDER 36 MONTHS UNTIL FULLY ASSEMBLED.

ONLY FOR DOMESTIC USE. FOR OUTDOOR USE.

ADULT SUPERVISION IS REQUIRED. TOY MUST BE ASSEMBLED BY AN ADULT BEFORE USE.

CHILDREN MUST NOT USE THE EQUIPMENT UNTIL PROPERLY INSTALLED.

REMOVE ALL PACKAGING BEFORE GIVING TO YOUR CHILDREN.

RETAIN PACKAGING FOR FUTURE REFERENCE.

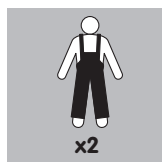
WARNING: THIS PRODUCT IS INTENDED FOR USE BY CHILDREN FROM AGES 18 MONTHS+.

WARNING: MAXIMUM COMBINED USER WEIGHT 100KGS ANCHORS THAT ARE SUPPLIED WITH THIS PRODUCT MUST BE FITTED BEFORE USE.

TP913X FoldAway Swing Seat

WARNING: THIS PRODUCT IS INTENDED FOR USE BY CHILDREN FROM AGES 6 MONTHS TO 3 YEARS.

WARNING: MAXIMUM USER WEIGHT 45KGS



Robovision Ltd t/a TP Toys

Unit 11, Enterprise Way, Flitwick, Bedfordshire, MK45 5BX England

www.tptoys.com

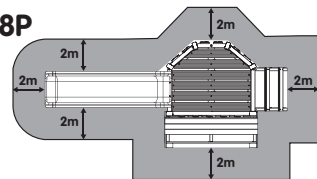
Important advice for assembly, maintenance and safe use

1. Toy must be assembled by an adult before use exactly in accordance with the instructions.
2. Children must not use this product until properly installed.
3. Check all parts are present before you start to assemble the product. Place small parts on a tray or similar to ensure they are not lost. The manufacturing process can very occasionally result in sharp edges/waste material so please take care when assembling this product.
4. If any parts are missing do not use the product until the replacement parts are fitted.
5. Ensure your product is sited on level ground. Failure to do this may put additional stress on connections and joints and in time could cause them to fail.
6. Ensure your product is located on a soft impact surface like grass. Never locate your product on a hard surfaces like concrete.
7. Anchors supplied with this product must be fitted before use.
8. In freezing weather, detachable plastic parts should be stored inside.
9. Avoid locating this product in full sun.
10. When fitting swinging toys it is vital that no parts have metal to metal contact.
11. Children should be instructed not to pass in front of or behind moving swings.
12. They should not twist or swing on an empty swing seat. Children should not get on or off a swinging toy when it is in motion.
13. Remove all packaging before giving to your children or allowing them to play with this product.
14. Equipment should be checked by an adult at the beginning of each season and at regular intervals during the usage season to ensure it is safe. Pay special attention to all connections and fastenings .
15. Parts may need to be replaced if they show signs of wear and tear. Replace any defective parts in accordance with these instructions.
16. With swings, particular attention should be paid to suspensions systems, ropes and all fixings. Ropes degrade over time and should be replaced as required.
17. Any changes to this toy including changing or adding an accessory, must be done in accordance with our instructions. Failure to do this will render your guarantee null and void and may make your product unsafe.
18. Ensure children's clothing is appropriate for the play activity.
19. Never place toys near a fire.
20. Take care in wet weather. Toys can become slippery.
21. In high winds, ensure outdoor toys are moved to a sheltered position and/or securely staked down.
22. The age recommendation for this product is clearly stated on the packaging and in these instructions. Please adhere to it at all times. Adult supervision is required at all times to ensure children play safely.
23. When you dispose of this equipment please do so responsibly.

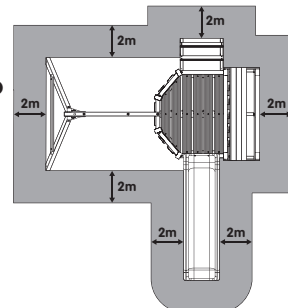
Safe play free space area

The safe play area refers to the zone extending 200cm around the toys on all sides and 250cm above the toy.
The safe play area must be free from all obstacles.

TP368P

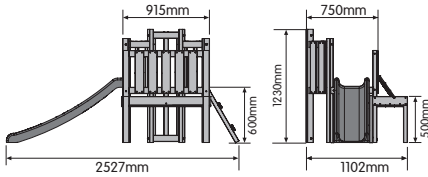


TP369P

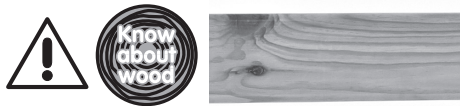
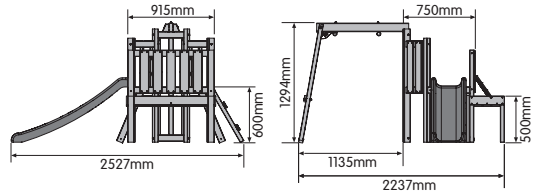


Dimensions

TP368P



TP369P



Know About Wood

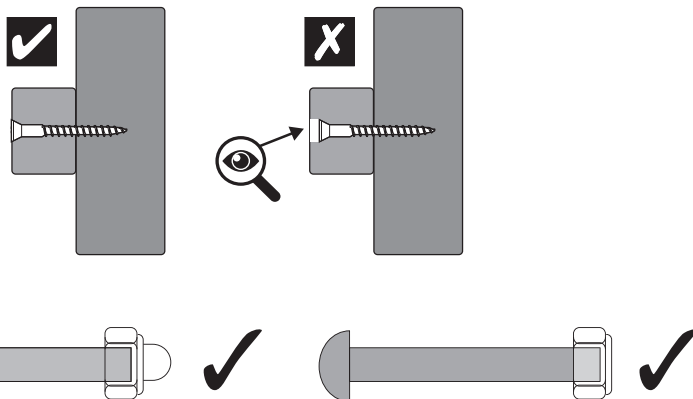
Unlike steel, wood is a natural, organic material and each piece will be unique, bearing its own knots, cracks and variations in colour and, unlike steel, wood will react significantly to changes in atmospheric conditions.

Wood will expand and contract as fluctuations of temperature and humidity affect the water content of the cell structure. In warm sunny weather it will shrink and in wet weather it will expand. As these physical changes do not, necessarily, take place uniformly throughout a piece of wood, forces are set up which cause cracks and splits to arise.

It is not necessary to stain your Wooden frame.

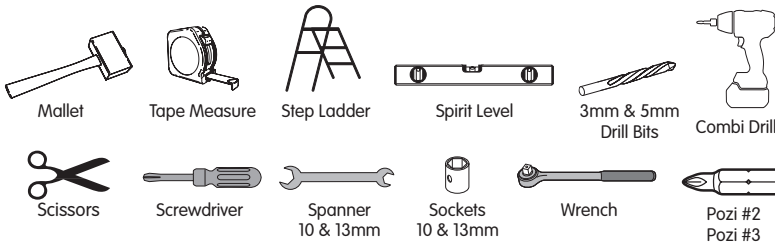
It is made from selected wood which has been pressure treated. This is a process by which preservatives are forced under pressure into the fabric of the timber to protect it from decay and insect damage.

If you do wish to stain your Wooden frame for aesthetic reasons, please use a water-based stain, which is available from any good DIY store.



1 Contents - Please check

Tools - You will need:



Also Required:



TP368P

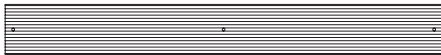
MW2200 802mm **x2**



MW2201 455mm **x2**



MW2202 820mm **x4**



MW2203 780mm **x1**



MW2204 570mm **x1**



MW2205 455mm **x5**



MW2206 667mm **x2**



MW2207 500mm **x2**



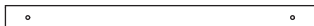
MW2208 662mm **x1**



MW2209 250mm **x2**



MW2210 415mm **x2**



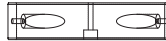
MW2211 310mm **x1**



MW2212 310mm **x5**



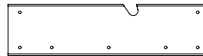
MW2213 310mm **x1**



MW2214 310mm **x2**



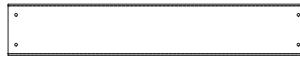
MW2215 378mm **x2**



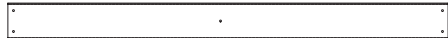
MW2216 255mm **x2**



MW2217 560mm **x4**



MW2218 1180mm **x2**



MW2219 940mm **x2**



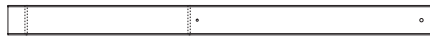
MW2220 970mm **x3**



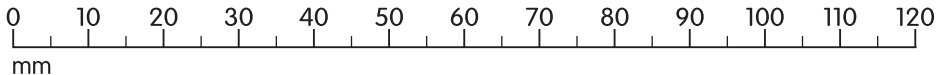
MW2221 258mm **x3**



MW2222 1000mm **x2**



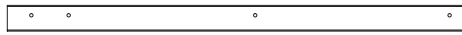
MW2223 1130mm **x2**



1 Contents continued - Please check

TP368P Continued

MW2224 1230mm **x2**



MW2226 970mm **x3**



PM2001
x2

TP368P Fixings SP3368

3.5 x 30mm **x12**
FA4513



4 x 40mm **x103**
FA4511

4.5 x 40mm **x8**
FA4517

4.5 x 50mm **x2**
FA9705

5 x 60mm **x10**
FA9768

6 x 155mm **x8**
FA9784

M8 x 75mm **x8**
FA6209

M8 x 100mm **x4**
FA9701

M6 x 70mm **x2**
FA5170

M6 x 20mm
FA5094
x2

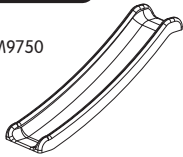
M8 x 25mm
FA7184
x24

M6 Nylon Insert
Dome Nut
FA5192
x2

M8 Nylon Insert
Dome Nut
FA8163
x12

TP938

PM9750
x1



TP369P

MW1226 835mm **x1**



MW2225 1000mm **x1**



MW1233 1400mm **x2**



PM1007
x1



PM2001
x2



PR7691
x1

Fixings SP3369

4.5 x 50mm **x2**
FA9705

M6 x 70mm **x4**
FA5170

30mm **x2**
FA5124

M8 x140mm **x2**
FA9975

M6 Nylon Insert
Dome Nut
FA5192
x4

M6 x 20mm
FA5094
x4

M6
FA9764
x2

M8 x 25mm
FA7184
x7

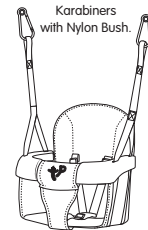
M8 Nylon Insert
Dome Nut
FA8163
x3

M8 Hook bolt short
FA9791
x2

M8
Nylon Insert Nut
FA5174
x1

TP913X

Karabiners
with Nylon Bush.



TP913X
x1

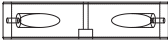
2

TP368P TP Forest Toddler Wooden Climbing Frame & Slide
TP369P TP Forest Toddler Wooden Swing Set & Slide

MW2224 1230mm x1



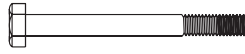
MW2213 310mm x1



MW2212 310mm x1



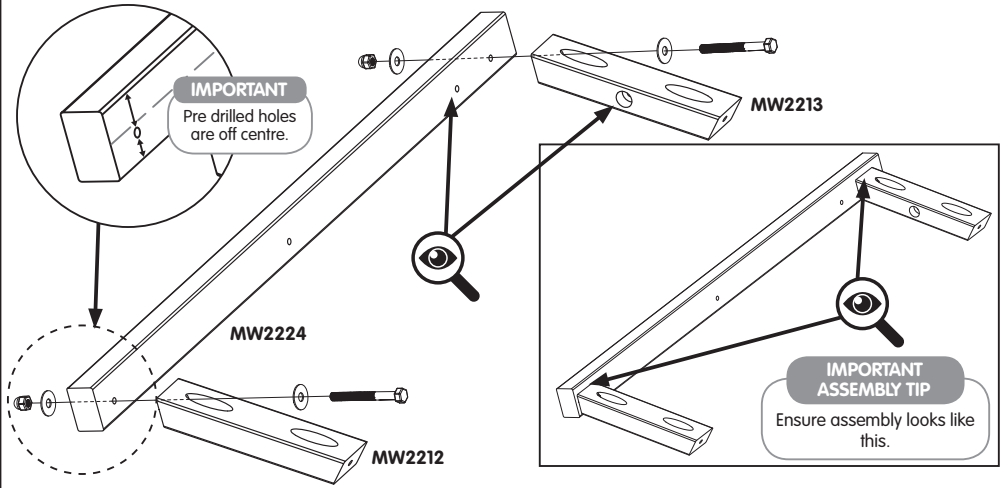
M8 x 75mm x2
FA6209



M8 x 25mm
FA7184
x4



M8
FA8163
x2

**3**

MW2211 310mm x1



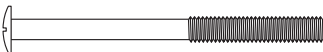
MW2212 310mm x1



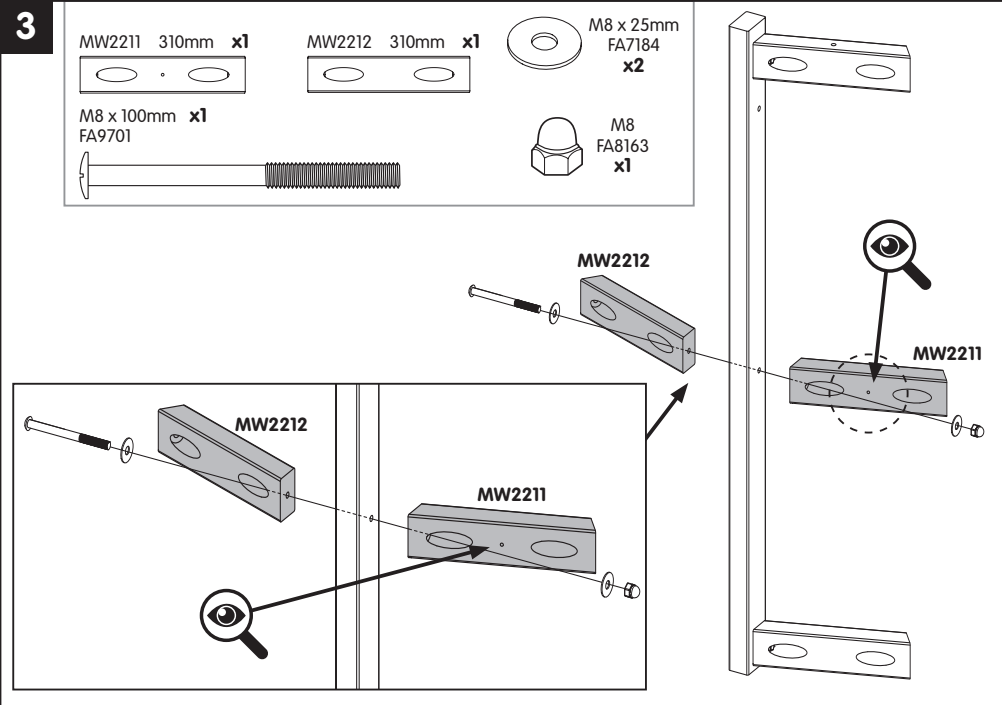
M8 x 25mm
FA7184
x2



M8 x 100mm x1
FA9701



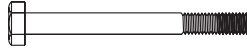
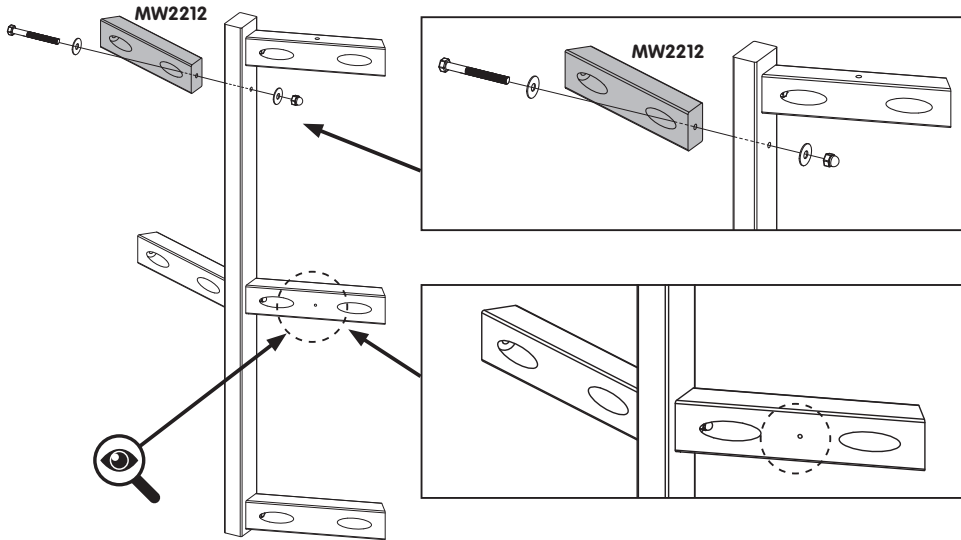
M8
FA8163
x1

**6**

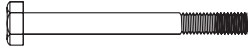
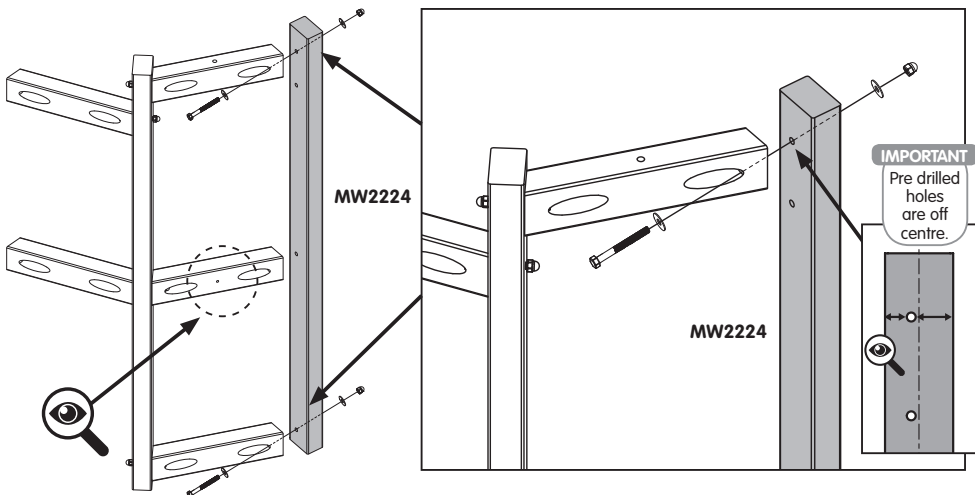
TP Forest Toddler Wooden Climbing Frame & Slide
 TP Forest Toddler Wooden Swing Set & Slide

4

MW2212 310mm x1

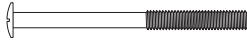
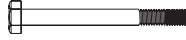
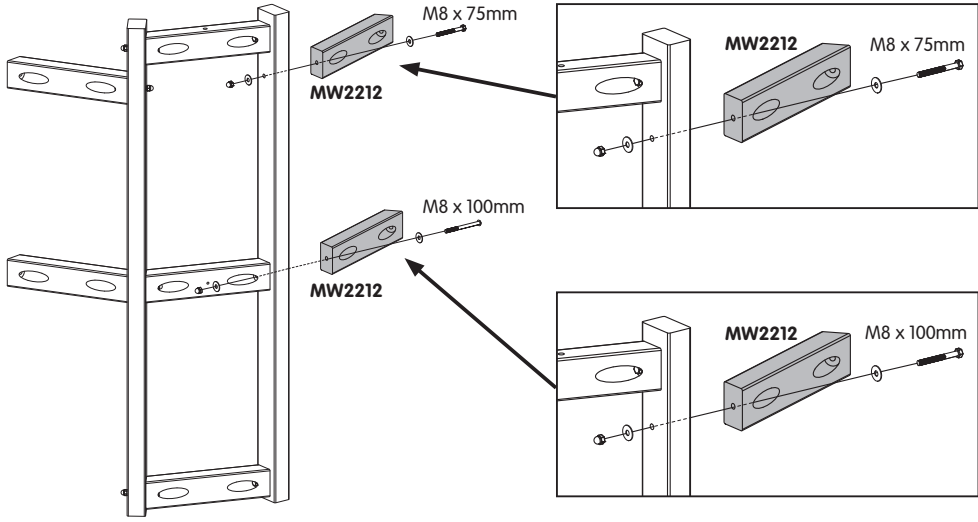
M8 x 75mm x1
FA6209M8 x 25mm
FA7184
x2M8
FA8163
x1**5**

MW2224 1230mm x1

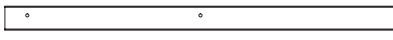
M8 x 75mm x2
FA6209M8 x 25mm
FA7184
x4M8
FA8163
x2**7**TP Forest Toddler Wooden Climbing Frame & Slide
TP Forest Toddler Wooden Swing Set & Slide

6

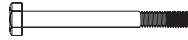
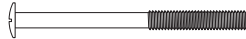
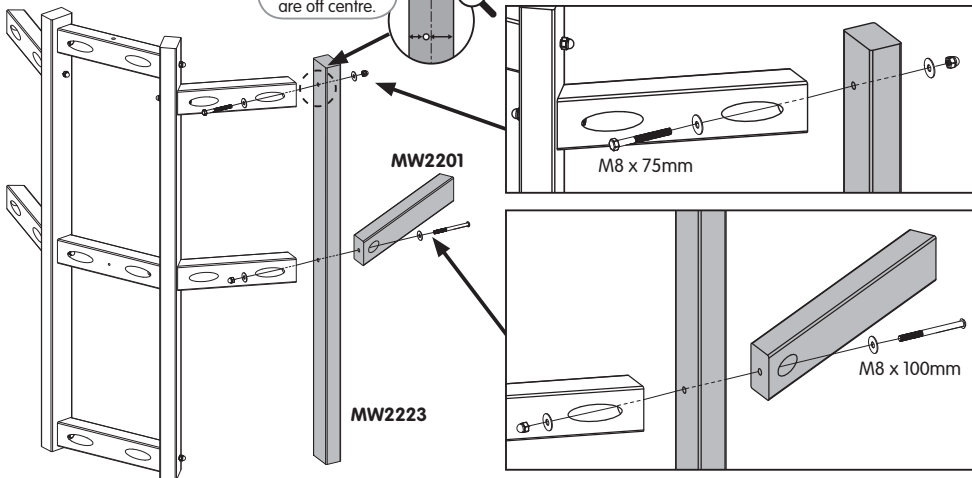
MW2212 310mm x2

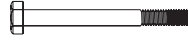
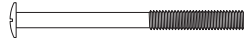
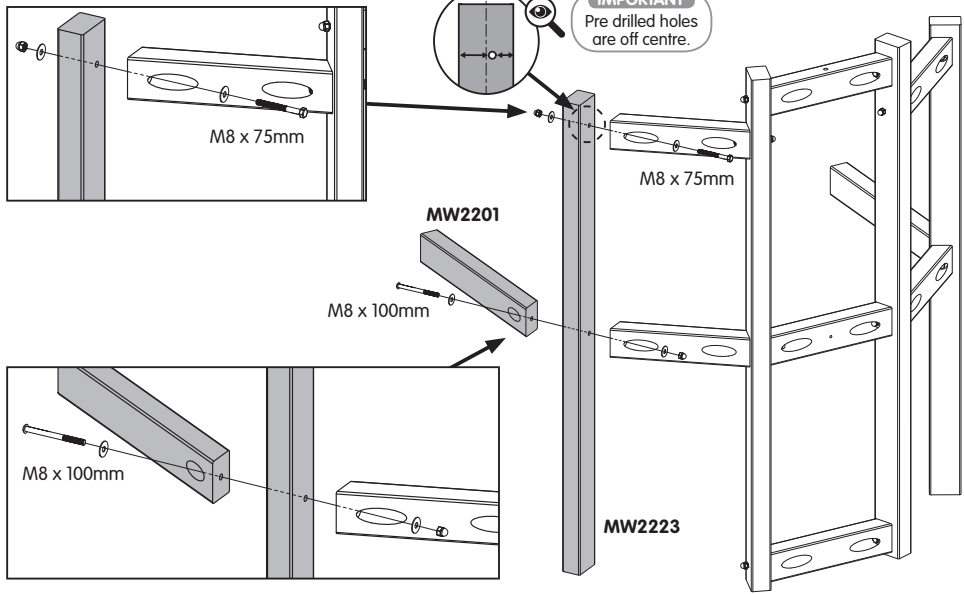
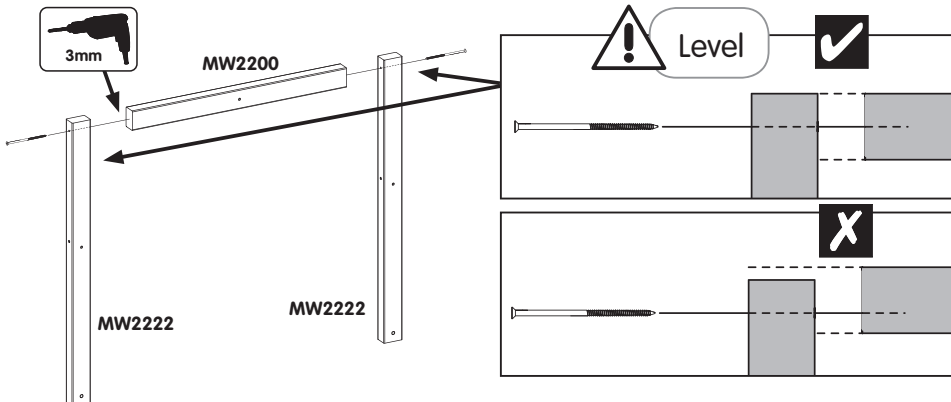
M8 x 100mm x1
FA9701M8 x 75mm x1
FA6209M8
FA8163
x2M8 x 25mm
FA7184
x4**7**

MW2223 1130mm x1



MW2201 455mm x1

M8 x 75mm x1
FA6209M8 x 100mm x1
FA9701M8 x 25mm
FA7184
x4M8
FA8163
x2**IMPORTANT**Pre drilled holes
are off centre.**8**TP Forest Toddler Wooden Climbing Frame & Slide
TP Forest Toddler Wooden Swing Set & Slide

8MW2223 1130mm **x1**MW2201 455mm **x1**M8 x 75mm **x1**
FA6209M8 x 25mm
FA7184
x4M8 x 100mm **x1**
FA9701M8
FA8163
x2**9**MW2200 802mm **x1**MW2222 1000mm **x2**6 x 155mm **x2**
FA9784**9**TP Forest Toddler Wooden Climbing Frame & Slide
TP Forest Toddler Wooden Swing Set & Slide

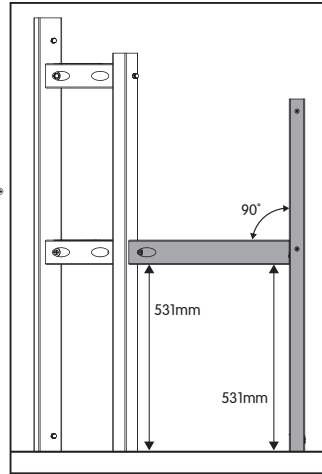
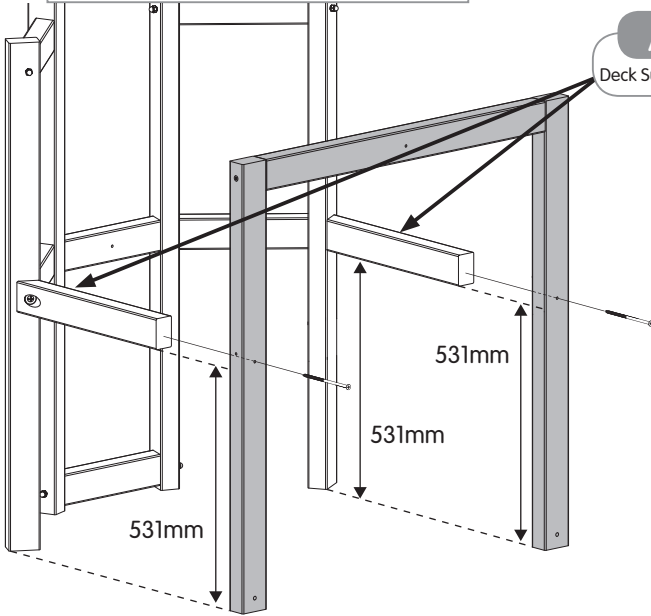
10

6 x 155mm x2
FA9784



**IMPORTANT
ASSEMBLY TIP**

Deck Support must be LEVEL.



11

MW2200 802mm x1

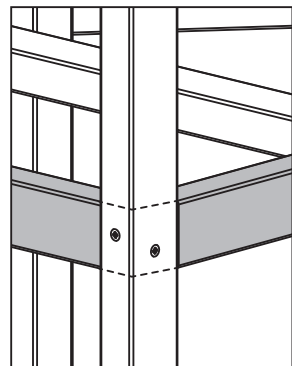
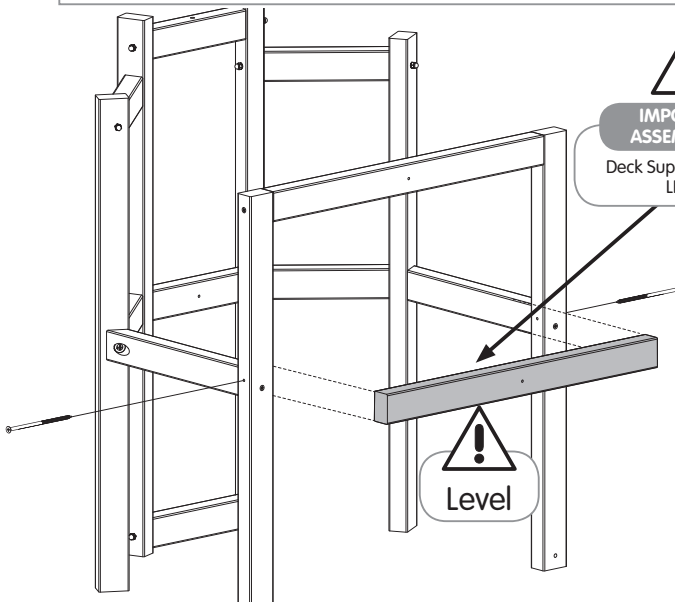


6 x 155mm x2
FA9784



**IMPORTANT
ASSEMBLY TIP**

Deck Support must be LEVEL.



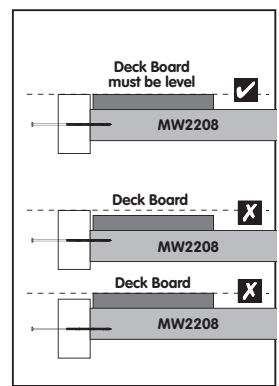
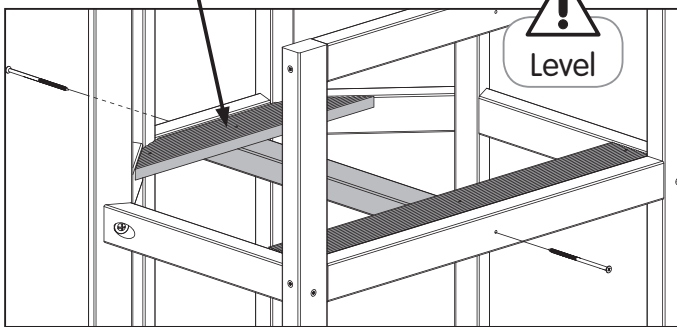
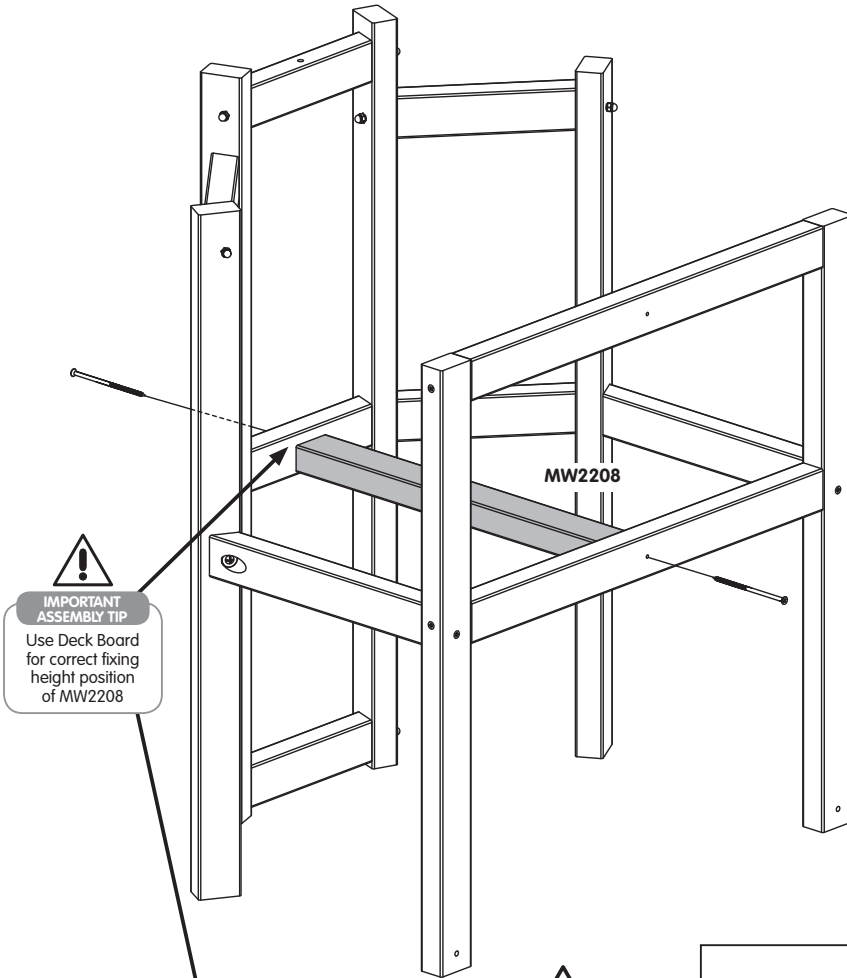
10

TP Forest Toddler Wooden Climbing Frame & Slide
TP Forest Toddler Wooden Swing Set & Slide

12

MW2208 662mm x1

6 x 155mm x2
FA9784




11

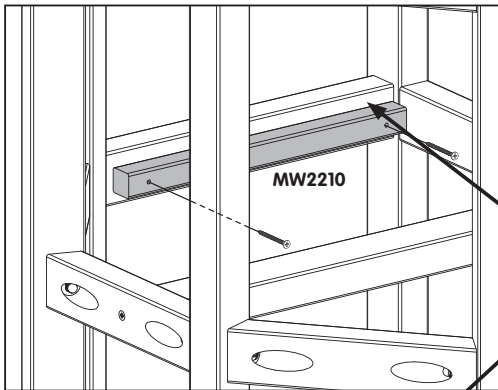
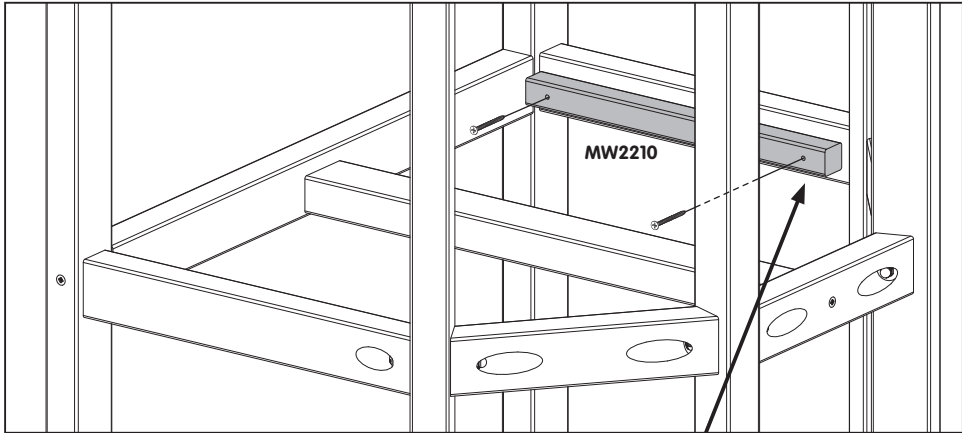
TP Forest Toddler Wooden Climbing Frame & Slide
TP Forest Toddler Wooden Swing Set & Slide

13

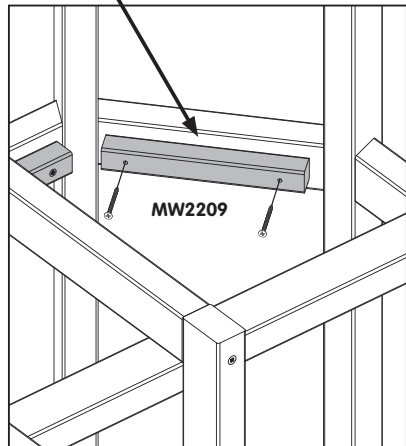
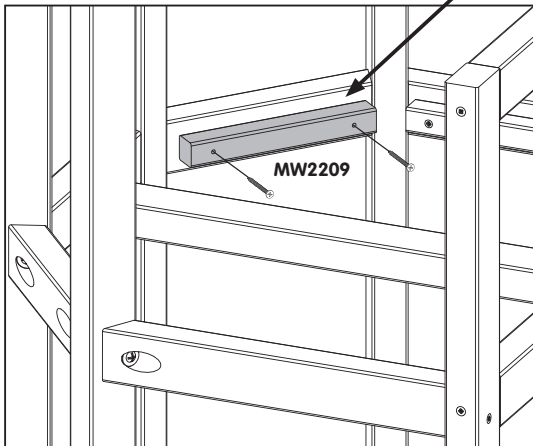
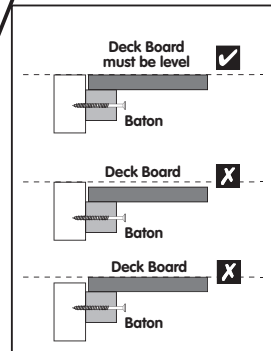
MW2210 415mm x2

MW2209 250mm x2


5 x 60mm x8
FA9768




IMPORTANT ASSEMBLY TIP
Use Deck Board for correct fixing height position of Battons

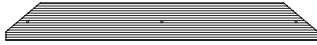


12

TP Forest Toddler Wooden Climbing Frame & Slide
TP Forest Toddler Wooden Swing Set & Slide

14

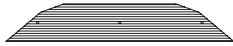
MW2203 780mm x1



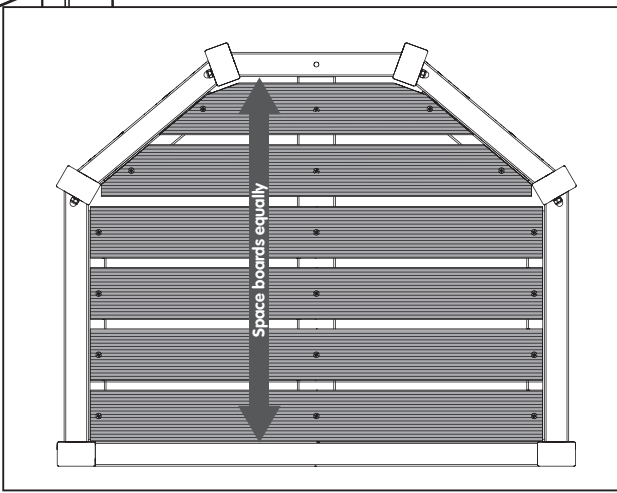
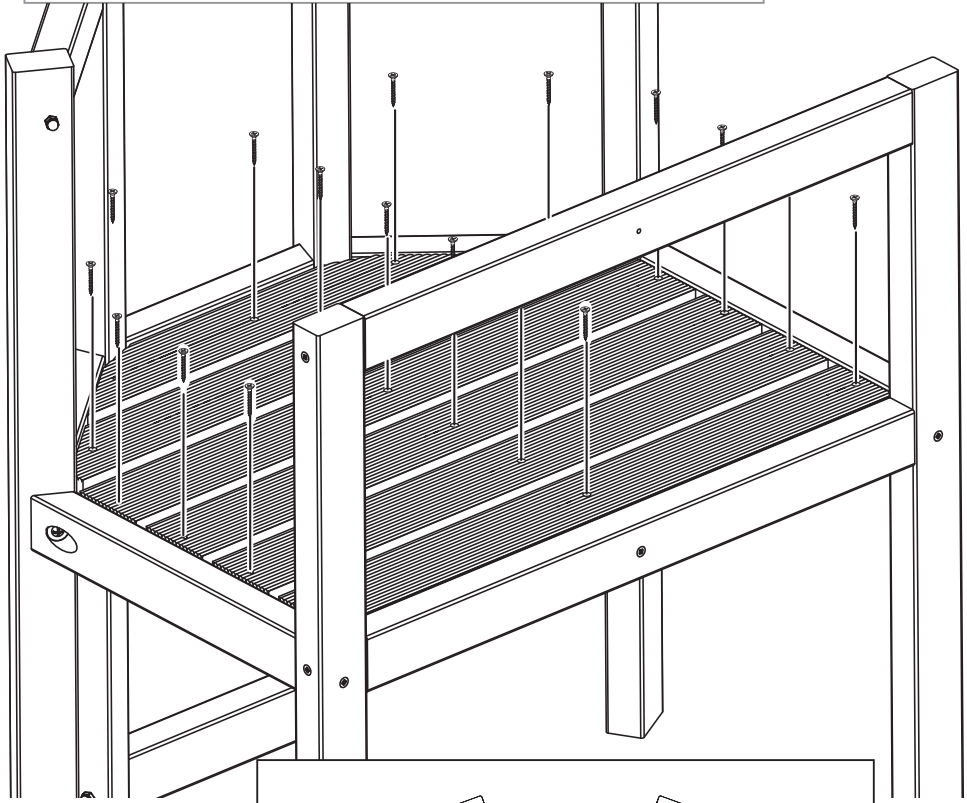
MW2202 820mm x4



MW2204 570mm x1



 4 x 40mm x18
FA4511



13

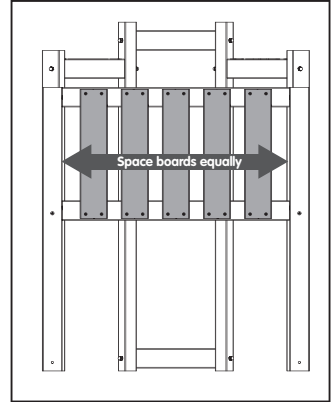
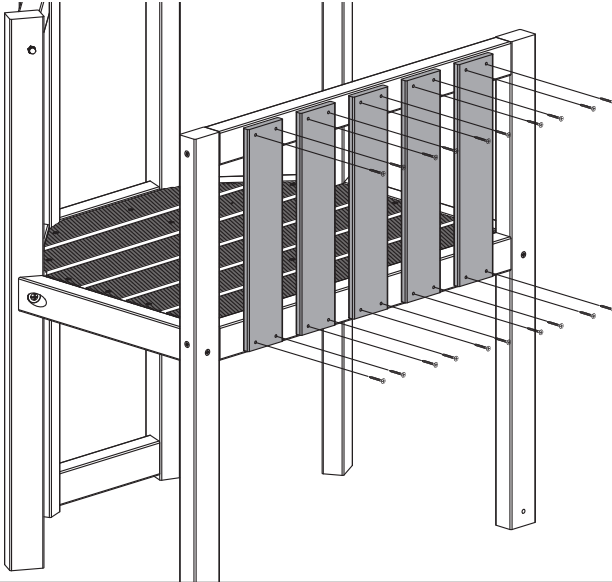
TP Forest Toddler Wooden Climbing Frame & Slide
TP Forest Toddler Wooden Swing Set & Slide

15

MW2205 455mm x5

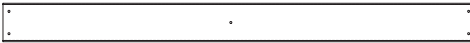


4 x 40mm x20
FA4511

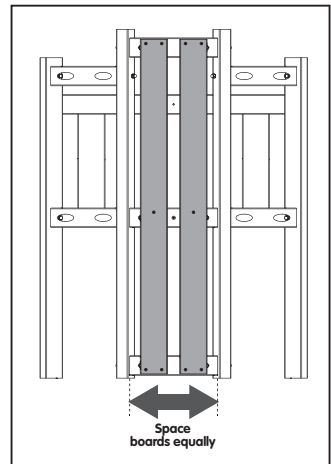
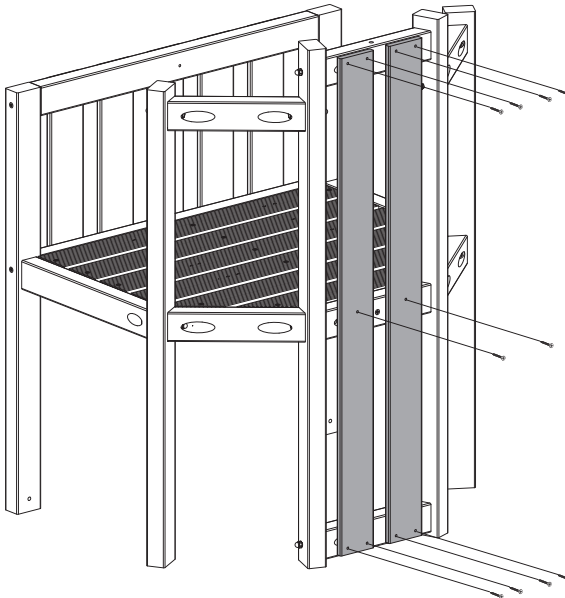


16

MW2218 1180mm x2



4 x 40mm x10
FA4511



14

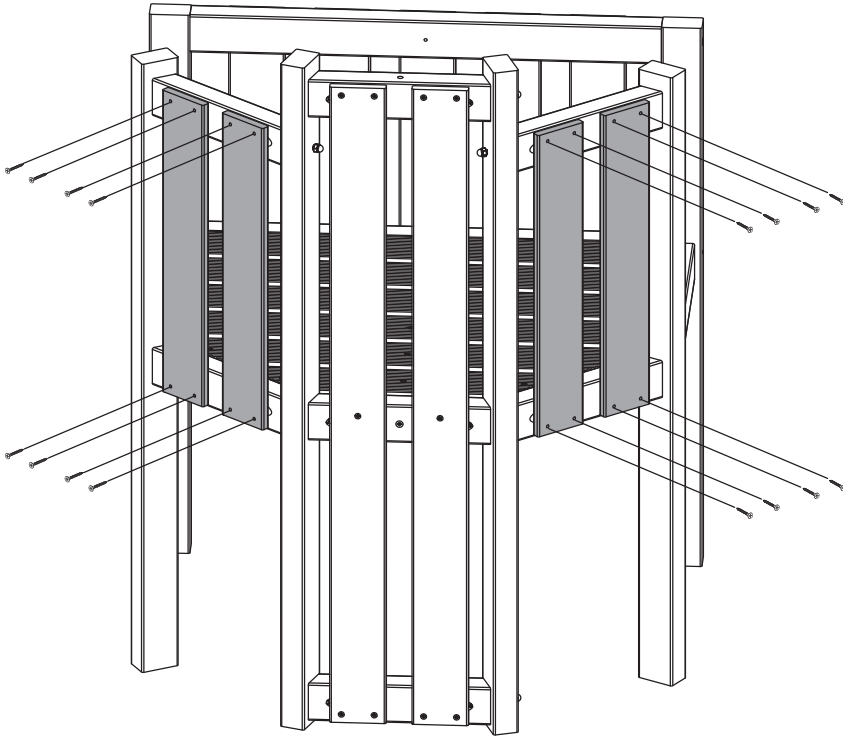
TP Forest Toddler Wooden Climbing Frame & Slide
TP Forest Toddler Wooden Swing Set & Slide

17

MW2217 560mm x4



4 x 40mm x16
FA4511



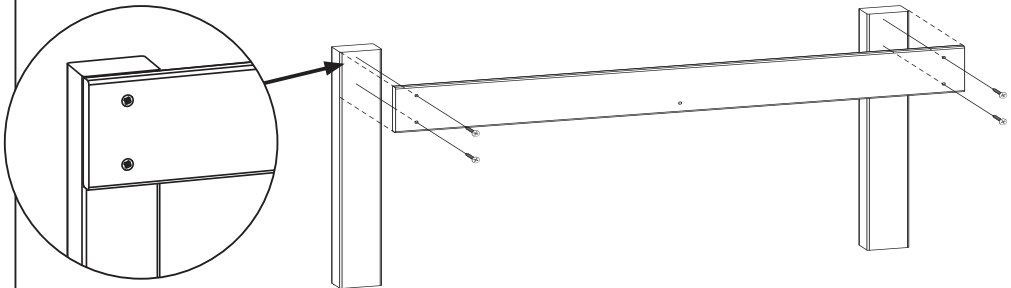
18

MW2219 940mm x1



4 x 40mm x4
FA4511

MW2207 500mm x2

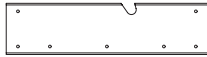


15

TP Forest Toddler Wooden Climbing Frame & Slide
TP Forest Toddler Wooden Swing Set & Slide

19

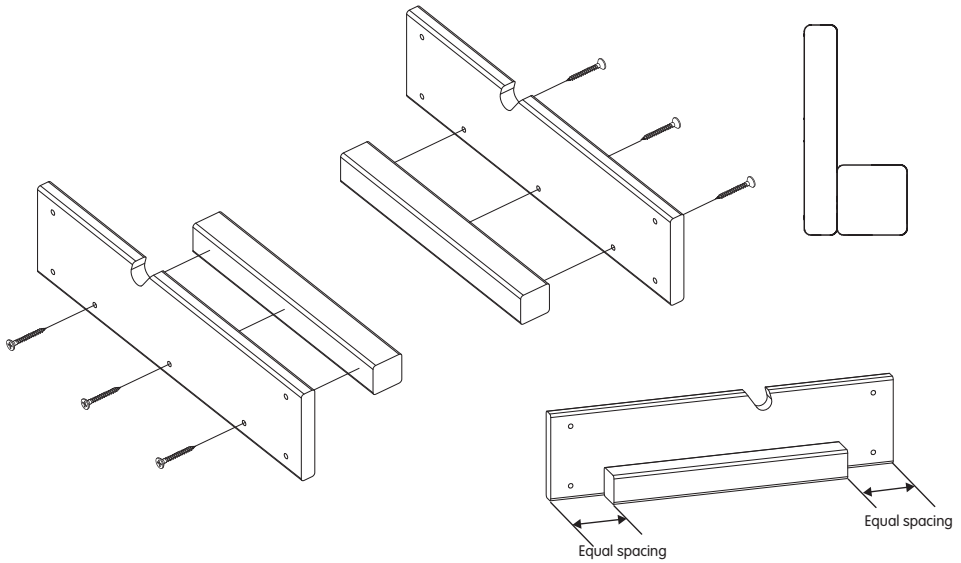
MW2215 378mm x2



MW2221 258mm x2

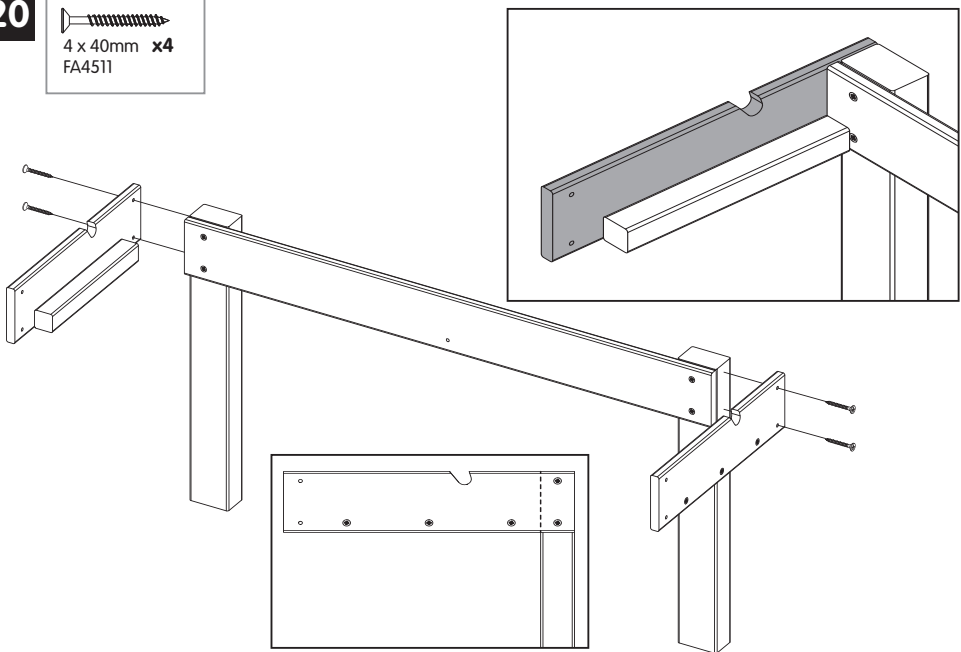


4 x 40mm x6
FA4511



20

4 x 40mm x4
FA4511



16

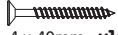
TP Forest Toddler Wooden Climbing Frame & Slide
TP Forest Toddler Wooden Swing Set & Slide

21

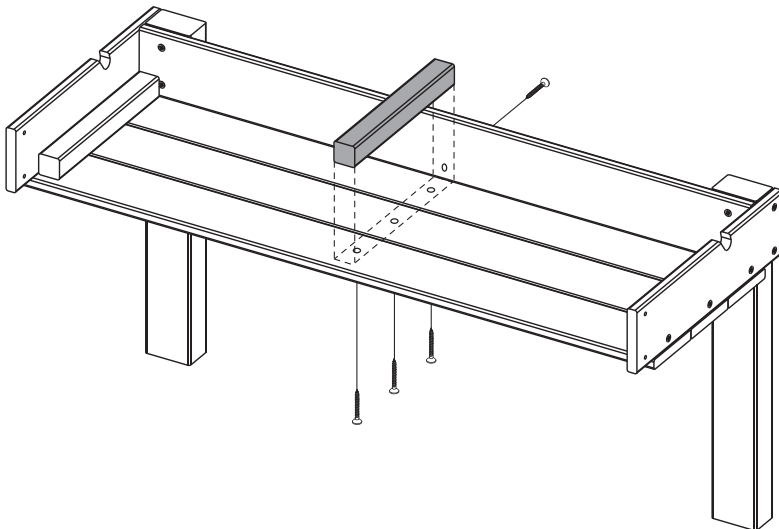
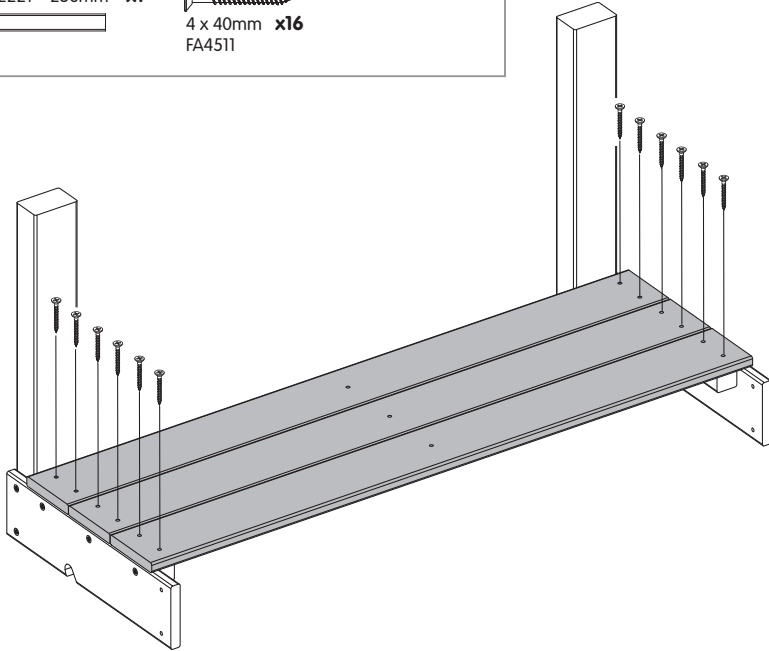
MW2220 970mm x3



MW2221 258mm x1




4 x 40mm x16
FA4511



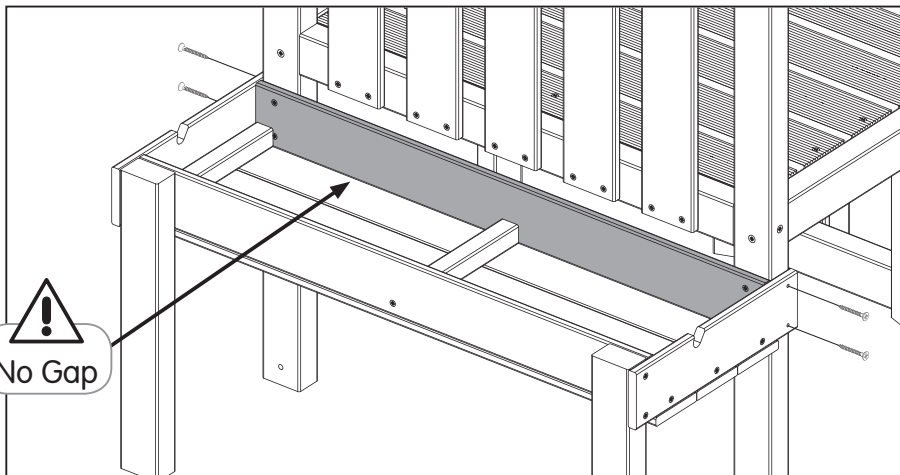
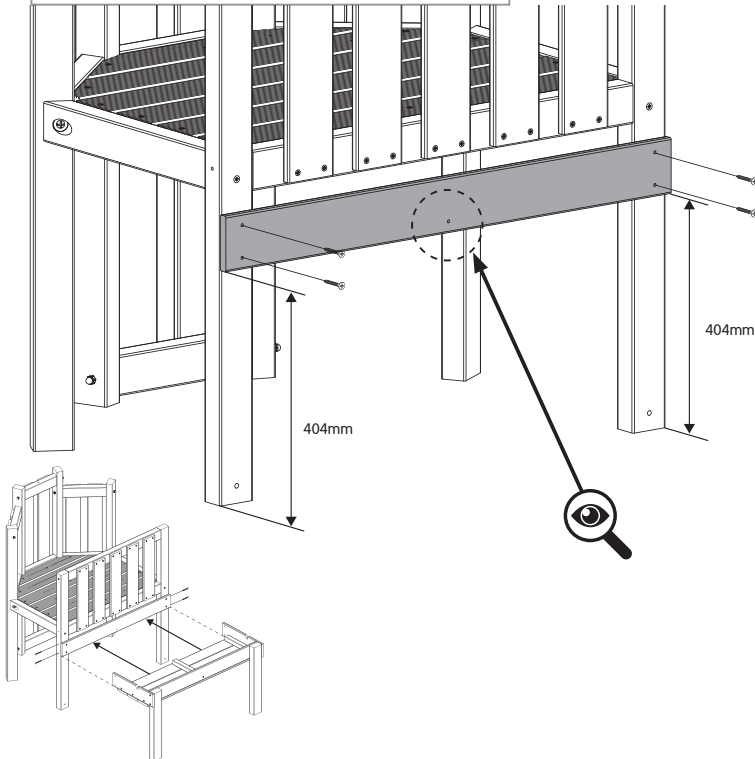
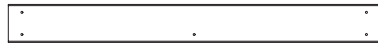
17

TP Forest Toddler Wooden Climbing Frame & Slide
TP Forest Toddler Wooden Swing Set & Slide

22

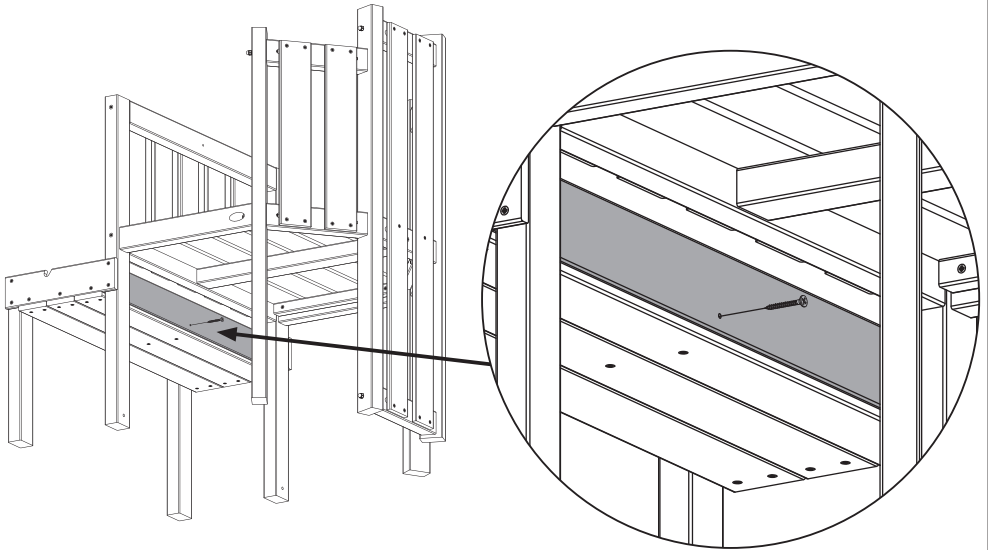

4 x 40mm x8
FA4511

MW2219 940mm x1



23


4 x 40mm x1
FA4511



24

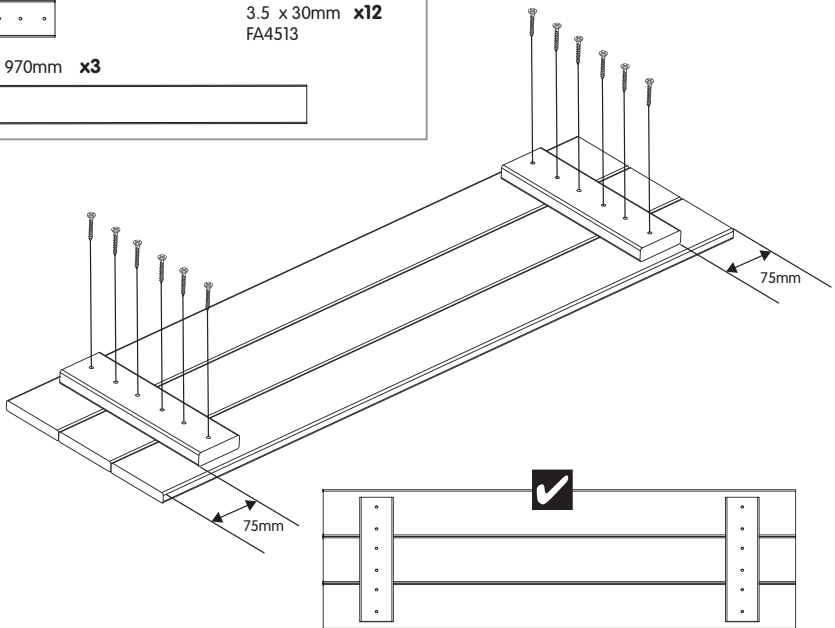
MW2216 255mm x2



MW2226 970mm x3




3.5 x 30mm x12
FA4513



19

TP Forest Toddler Wooden Climbing Frame & Slide
TP Forest Toddler Wooden Swing Set & Slide

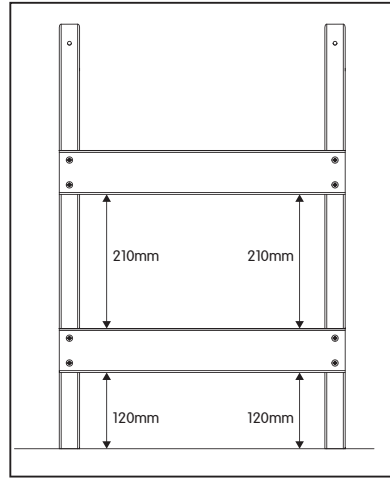
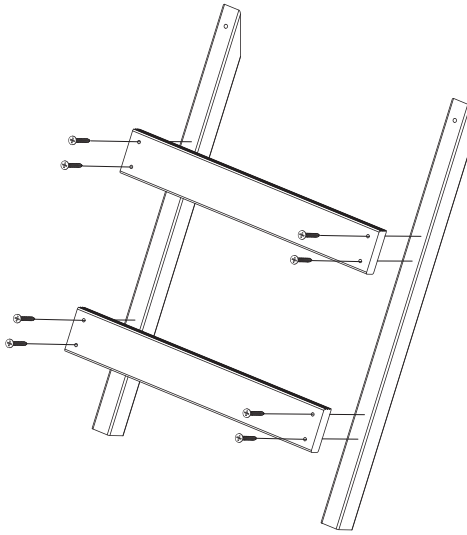
25

MW2206 667mm **x2**

MW2214 310mm **x2**



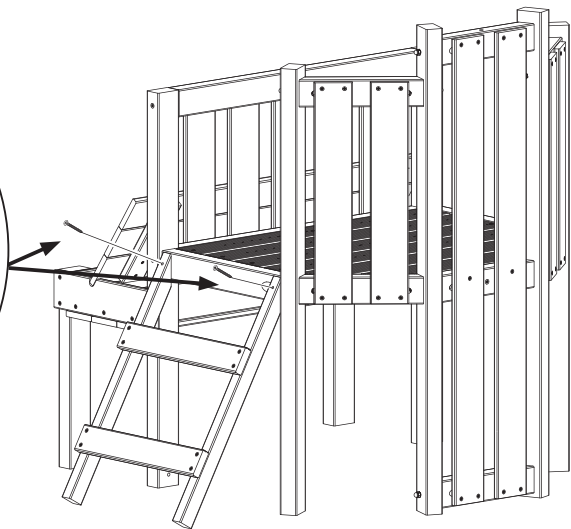
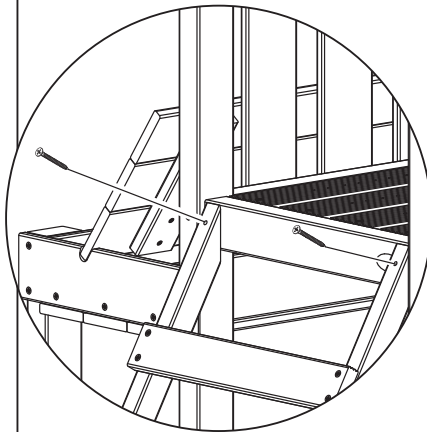
4.5 x 40mm **x8**
FA4517



26



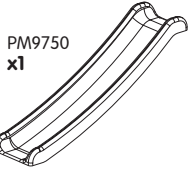
4.5 x 50mm **x2**
FA9705



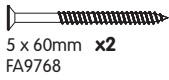
20

TP Forest Toddler Wooden Climbing Frame & Slide
TP Forest Toddler Wooden Swing Set & Slide

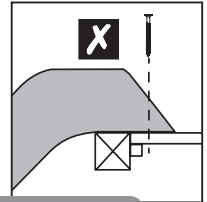
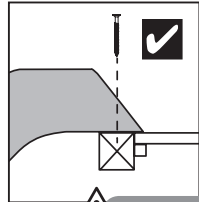
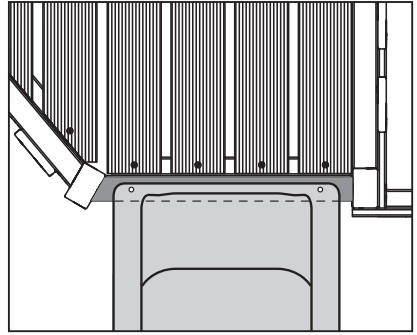
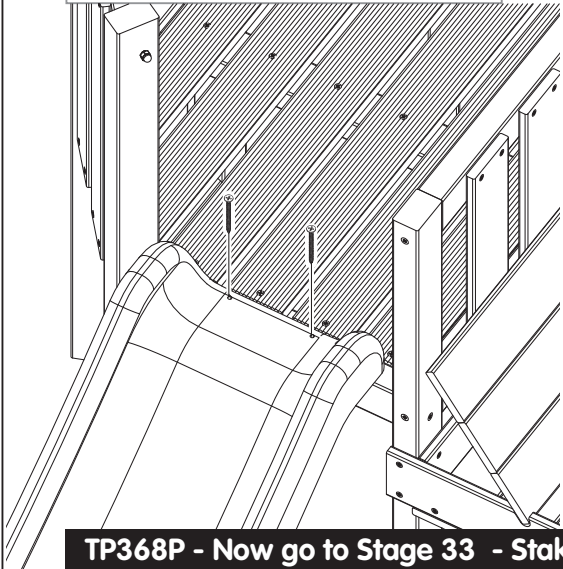
27



PM9750
x1



5 x 60mm x2
FA9768



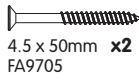
IMPORTANT ASSEMBLY TIP
ENSURE FIXINGS SCREW
INTO DECK SUPPORT

TP368P - Now go to Stage 33 - Staking to complete build

28



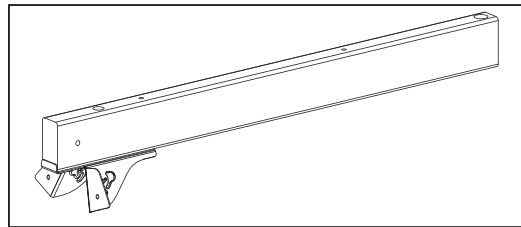
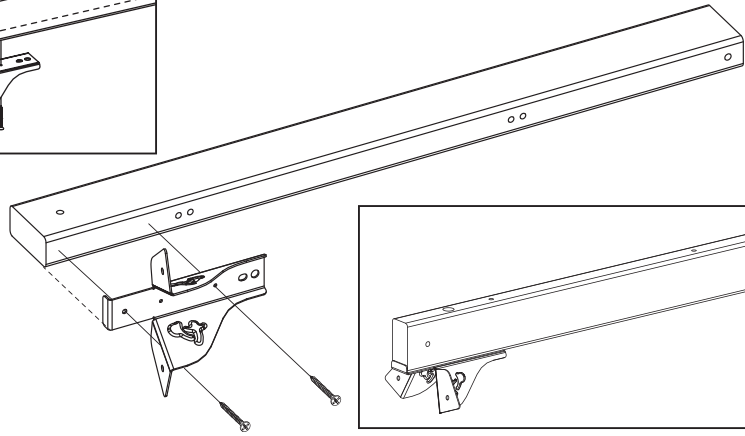
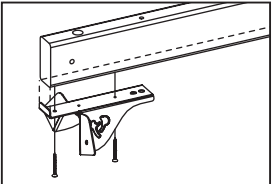
MW2225 1000mm x1



4.5 x 50mm x2
FA9705



PR7691 x1

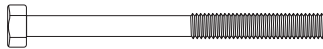
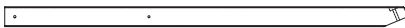


21

TP Forest Toddler Wooden Climbing Frame & Slide
TP Forest Toddler Wooden Swing Set & Slide

29

MW1233 1400mm x2



M8 x140mm x1
FA9975



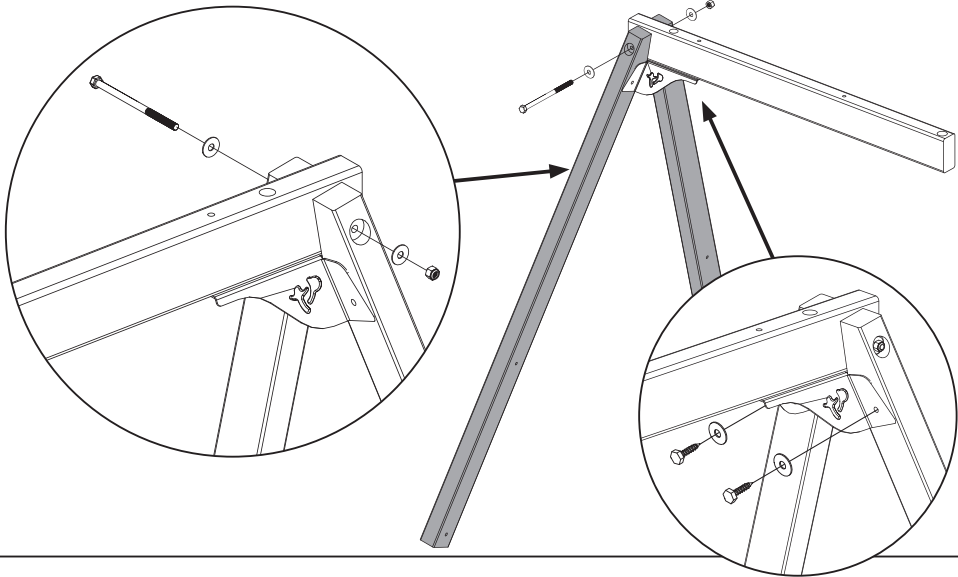
M8 x 25mm
FA7184
x4



M8
FA5174
x1



30mm x2
FA5124



30

MW1226 835mm x1



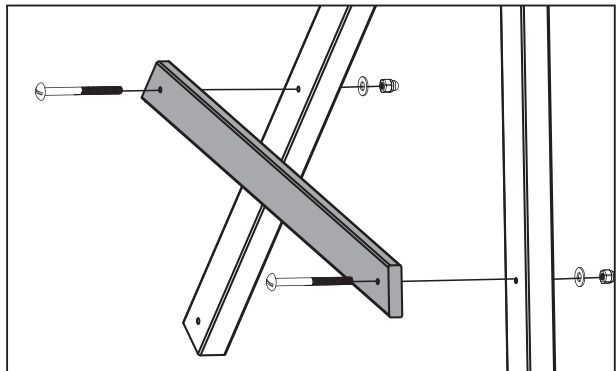
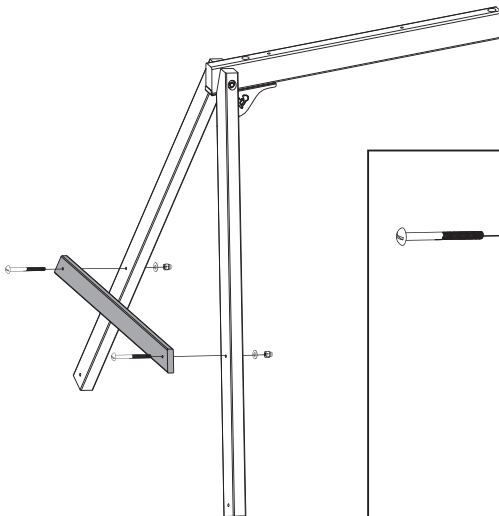
M6 x 70mm x2
FA5170



M6
FA5192
x2

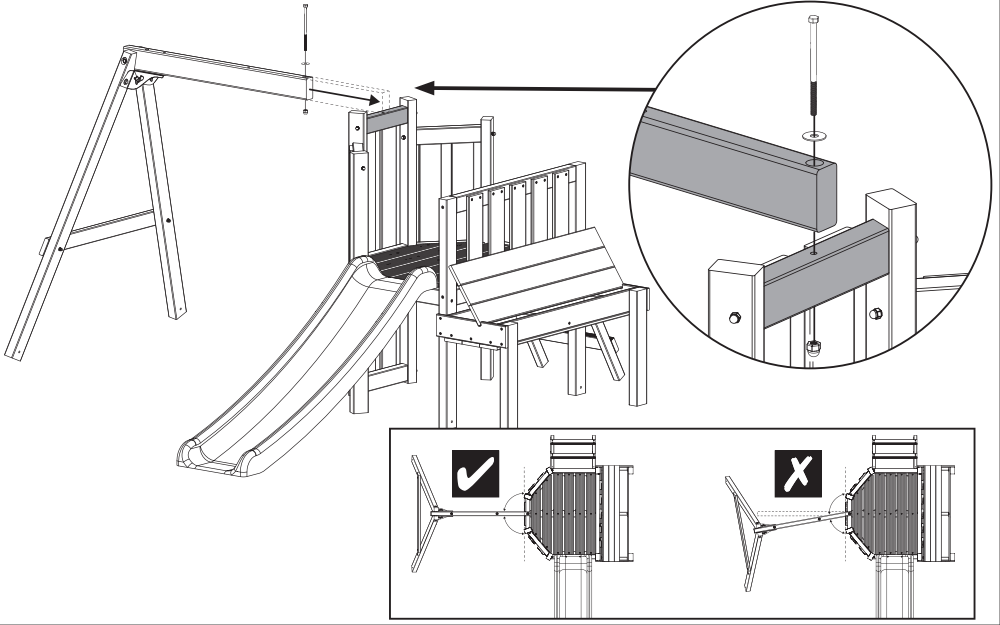
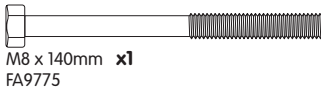
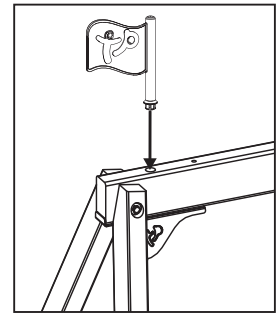
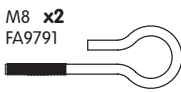


M6
FA9764
x2

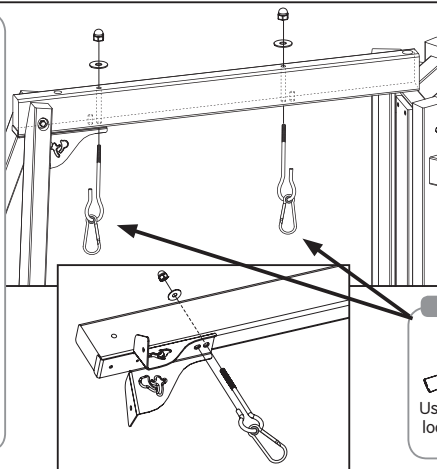
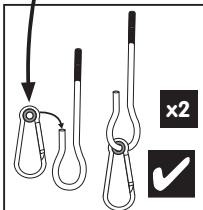
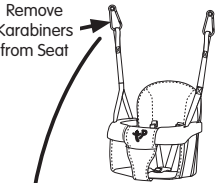
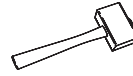


22

TP Forest Toddler Wooden Climbing Frame & Slide
TP Forest Toddler Wooden Swing Set & Slide

31**32****ASSEMBLY TIP**

Remove
Karabiners
from Seat

**ASSEMBLY TIP**

Use Mallet to firmly
locate hook bolt in
pilot hole

23

TP Forest Toddler Wooden Climbing Frame & Slide
TP Forest Toddler Wooden Swing Set & Slide

33

Staking

TP368P



M6 x 20mm
FA5094
x2



M6
FA5192
x2



M6 x 70mm
FA5170
x2



PM2001
x2

TP369P



M6 x 20mm
FA5094
x4



M6
FA5192
x4



M6 x 70mm
FA5170
x4



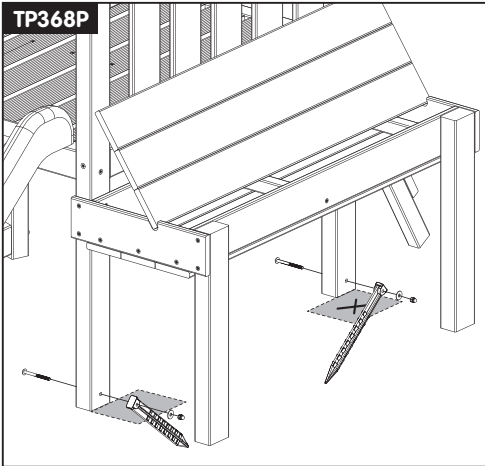
PM2001
x4



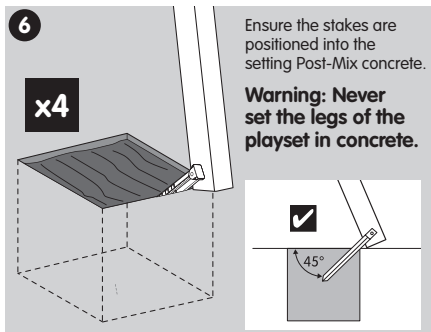
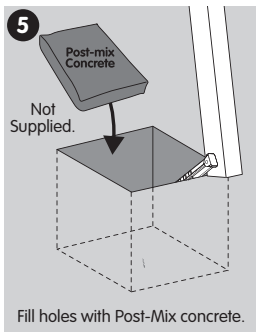
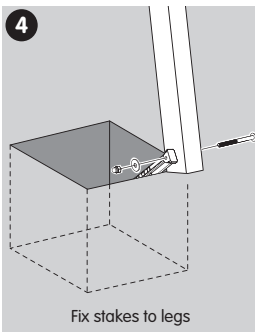
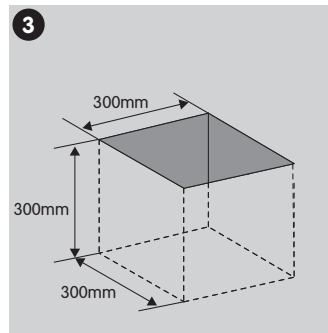
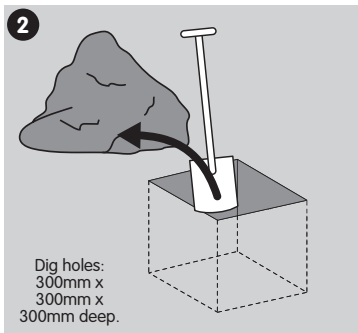
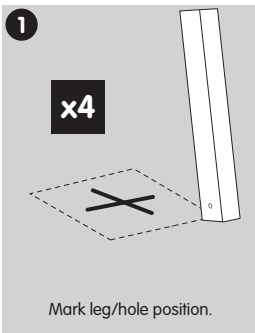
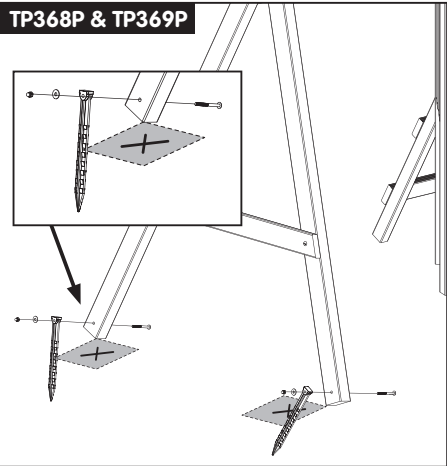
Not Supplied



TP368P



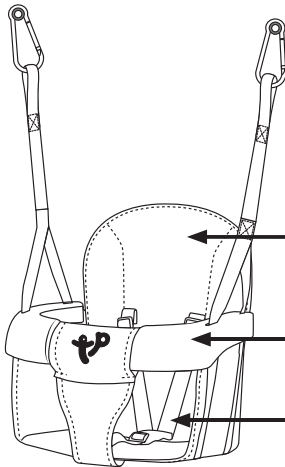
TP368P & TP369P



34 All about your New TP913X FoldAway Swing Seat

Important

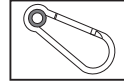
Before you use your TP FoldAway Swing Seat please read the safety information carefully and follow its advice at all times.



FC9908 x2

Karabiner with Nylon Bush.

The karabiners should always be used to attach the seat to the frame.



TP913X x1

FoldAway Swing Seat

Includes safety Harness.

Seat Frame



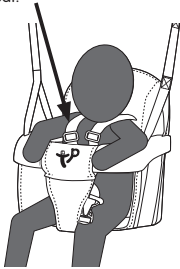
Safety Harness

The safety harness must be used at all times to secure the child into the FoldAway Swing Seat.

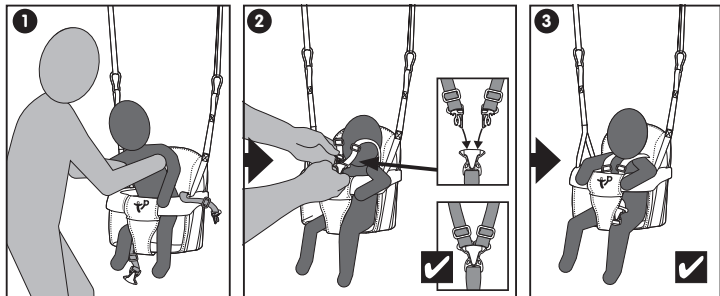
35 Important Safety Information for your new TP FoldAway Swing Seat

Always ensure that the safety Harness is fitted as shown below.

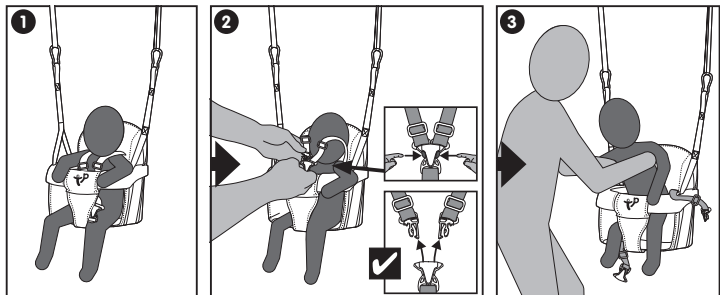
The safety harness must be used at all times to secure the child into the FoldAway Swing Seat.



How to seat your child safely in their TP FoldAway Swing Seat

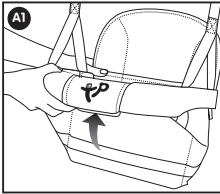


How to remove your child safely from their TP FoldAway Swing Seat

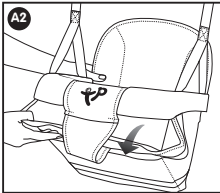


36 Attaching your swing seat to the frame

Unfolding the Swing Seat



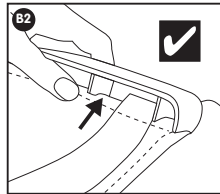
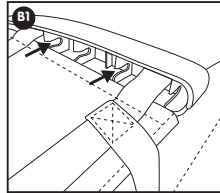
Lift the Seat Frame upwards.



Pull the seat base downwards

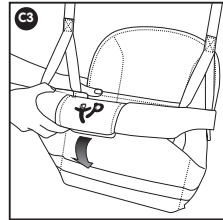
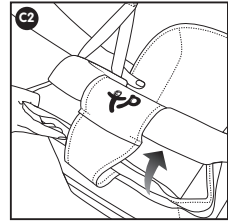
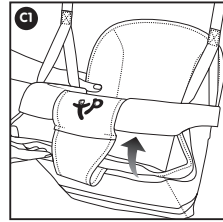
Important! Check frame attachment

Before use, please ensure that the sides of the seat are fully inserted to the frame. The sides are snap fit so press firmly to fit.

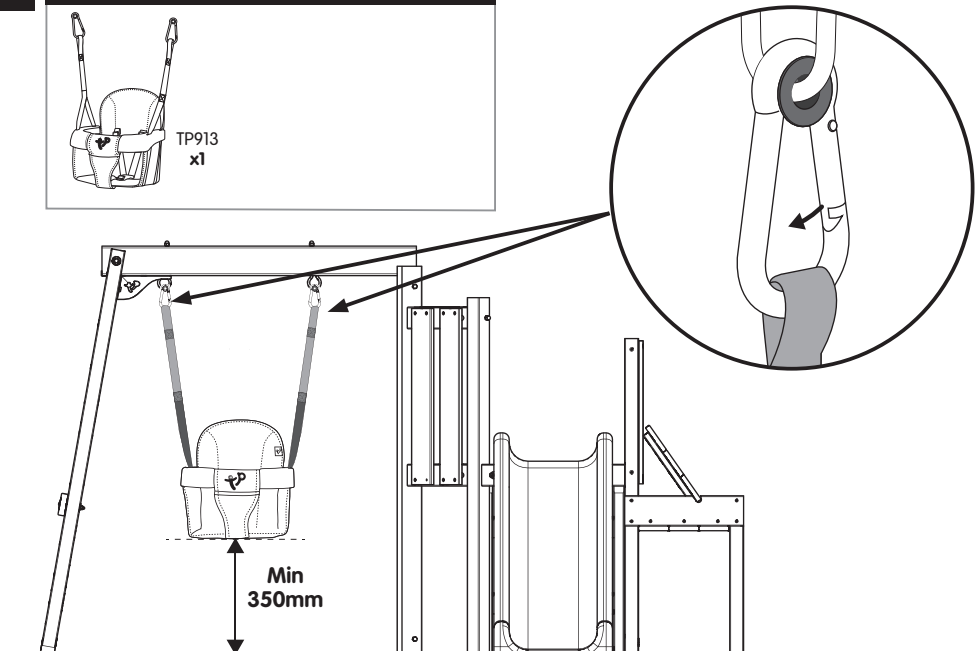
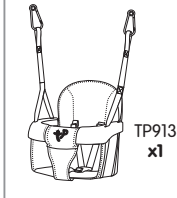


Folding away the Swing Seat (after use)

To fold away - simply reverse the below steps.



37 Seat attachment to playframe



38 Care and Maintenance of your swing seat

The TP FoldAway Swing Seat is designed with maximum comfort for your child. Due to the soft materials, we do not recommend leaving it outside for long periods. Please look after it by taking it inside when not in use.

To remove light stains, we recommend using a damp cloth.



Thank you

Thank you for purchasing this product.

Please register your new product on line at tptoys.com

www.tptoys.com/customer/productregistration

Find out about the guarantee for this product,

visit **www.tptoys.com/customer/pages/guaranteeinformation**

For customer services and help with your product,

visit **www.tptoys.com/customer/help**

Your TP Guarantee Number/Product Batch No is