



WARNING: Keep away from fire. The disassembled product contains small parts which pose a choking hazard to children under 3.

TOPAZ 3 IN 1 OWNER'S MANUAL

GENERAL SAFETY INSTRUCTIONS

1.1 PURPOSE

This product is intended for indoor, outdoor, home, domestic use only. It is not suitable for commercial or medical use.

Recommend age: Over 12 months old

Maximum weight: 25kg

1.2 RISK OF INJURIES

- Do not use the product if it is damaged or defective. If it is damaged or defective, please contact a qualified technician.
- Check the product before each use. Defective parts must be changed immediately as they can impair the function and the safety of the product.
- No more than one person to use the product at the same time.
- Use the product only on even and non-slip surfaces. Keep sufficient space around for safety.
- Do not slide down head first.

1.3 PRODUCT DAMAGE

- Do not make alterations to the product. Only use original spare parts. Only qualified technicians should carry out repairs – improper repairs can lead to danger for the user. Use this product only as described in this manual.

1.4 ASSEMBLY ADVICE

- The assembly of the product must be done carefully and by an able-bodied adult. If in any doubt, ask a technically qualified person.
- Before you start with the assembly, read the instructions carefully.
- Remove all packaging materials and lay down all parts on an open space. This gives you an overview and simplifies the assembly procedure.
- Check with the parts list that all parts are available. Dispose of the packaging material when the assembly is completed.
- Beware that when using tools or doing technical work, there is always a risk of injuries. Assemble the product with care.
- Create a danger free environment; for example, do not let tools lay around the workspace. Store the packaging material in a way that cannot cause any danger.
- After installing the product according to the instruction manual, ensure all screws, bolts and nuts are correctly installed and tightened and that all joints are secure.
- Place the play equipment on a level surface at least 2 m from any structure or obstruction.

1.5 ASSEMBLY ADVICE

- Do not use volatile chemicals like thinner and benzene while cleaning.

WARRANTY

AUSTRALIAN CONSUMER LAW

Many of our products come with a guarantee or warranty from the manufacturer. In addition, they come with guarantees that cannot be excluded under the Australian Consumer law. You are entitled to a replacement or refund for a major failure and compensation for any other reasonably foreseeable loss or damage.

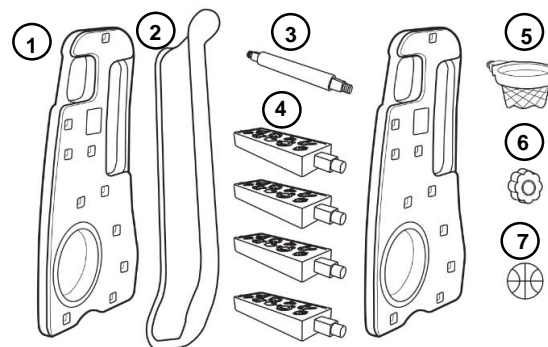
You are entitled to have the goods repaired or replaced if the goods fail to be of acceptable quality and the failure does not amount to a major failure. Full details of your consumer rights may be found at www.consumerlaw.gov.au

Please visit our website to view our full warranty terms and conditions:

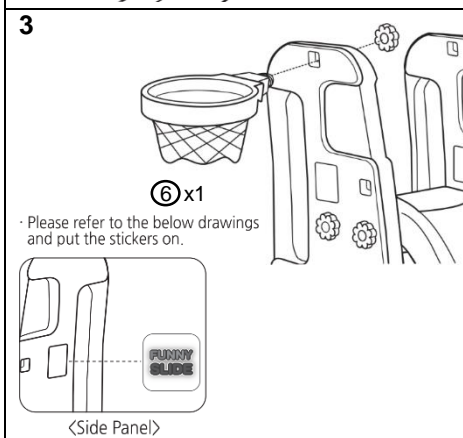
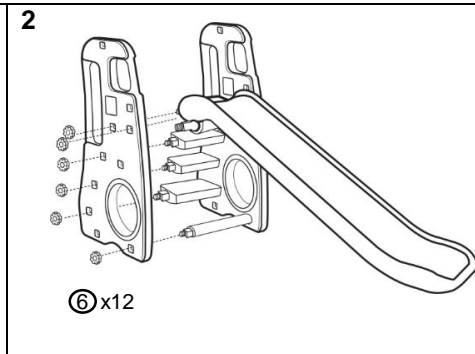
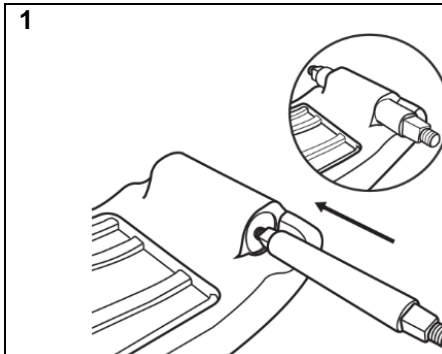
<http://www.lifespankids.com.au/Warranty-Policy-Kids>

Please send all warranty and support inquiries through our ticketing system via the email address: support@lifespankids.com.au.

ASSEMBLY INSTRUCTIONS



Parts
Part 1: 2pcs
Part 2: 1pc
Part 3: 2pcs
Part 4: 4pcs
Part 5: 1pc
Part 6: 13pcs
Part 7: 1 pc
Stickers



INSTRUCTIONS

- Step 1:**
1. Insert 1x Part 3 into 1x Part 2.
- Step 2:**
1. Attach 1x Part 2, 4x Part 4 and 1x Part 3 onto 2x Part 1, secure with 12x Part 6.
- Step 3:**
1. Attach 1x Part 5 to 1x Part 1 with 1x Part 4.
2. Tighten all plastic nuts before use.
3. Attach stickers as shown in image.

IMPORTANT:

The owner's manual contains safety, assembly, use and maintenance instructions. The product must be assembled by an adult who has read and understood these instructions. Keep the packaging away from children and dispose of all packaging before use.

For the installer and your children's safety, it is important to fully read and understand the instructions and safety hazards before commencing the assembly of the product.