



WOMBAT PLUS PLAYHOUSE OWNERS MANUAL

General Instructions

1. PURPOSE

This product is intended for indoor, outdoor, home, domestic use only. It is not suitable for commercial or medical use.

Recommend age: 1 Year Old & Over

Maximum weight: 23kg (50lbs)

2. RISK OF INJURIES

Do not use the product if it is damaged or defective. If it is damaged or defective, please contact a qualified technician.

Check the product before each use. Defective parts must be changed immediately as they can impair the function and the safety of the product.

No more than one person to use the product at the same time.

Use the product only on even and non-slip surfaces. Keep sufficient space around for safety.

Do not slide down head first.

3. PRODUCT DAMAGE

Do not make alterations to the product. Only use original spare parts. Only qualified technicians should carry out repairs – improper repairs can lead to danger for the user. Use this product only as described in this manual.

4. ASSEMBLY ADVICE

The assembly of the product must be done carefully and by an able-bodied adult. If in any doubt, ask a technically qualified person.

Before you start with the assembly, read the instructions carefully.

Remove all packaging materials and lay down all parts on an open space. This gives you an overview and simplifies the assembly procedure.

Check with the parts list that all parts are available. Dispose of the packaging material when the assembly is completed.

Beware that when using tools or doing technical work, there is always a risk of injuries. Assemble the product with care.

Create a danger free environment; for example, do not let tools lay around the workspace. Store the packaging material in a way that cannot cause any danger.

After installing the product according to the instruction manual, ensure all screws, bolts and nuts are correctly installed and tightened and that all joints are secure.

Place the play equipment on a level surface at least 2 m from any structure or obstruction.

5. ASSEMBLY ADVICE

Do not use volatile chemicals like thinner and benzene while cleaning.

WARNING!

Keep away from fire.

The disassembled product contains small parts which pose a choking hazard to children under 3.

IMPORTANT:

The owner's manual contains safety, assembly, use and maintenance instructions. The product must be assembled by an adult who has read and understood these instructions.

Keep the packaging away from children and dispose of all packaging before use.

For the installer and your children's safety, it is important to fully read and understand the instructions and safety hazards before commencing the assembly of the product.

Warranty

AUSTRALIAN CONSUMER LAW

Many of our products come with a guarantee or warranty from the manufacturer. In addition, they come with guarantees that cannot be excluded under the Australian Consumer law. You are entitled to a replacement or refund for a major failure and compensation for any other reasonably foreseeable loss or damage.

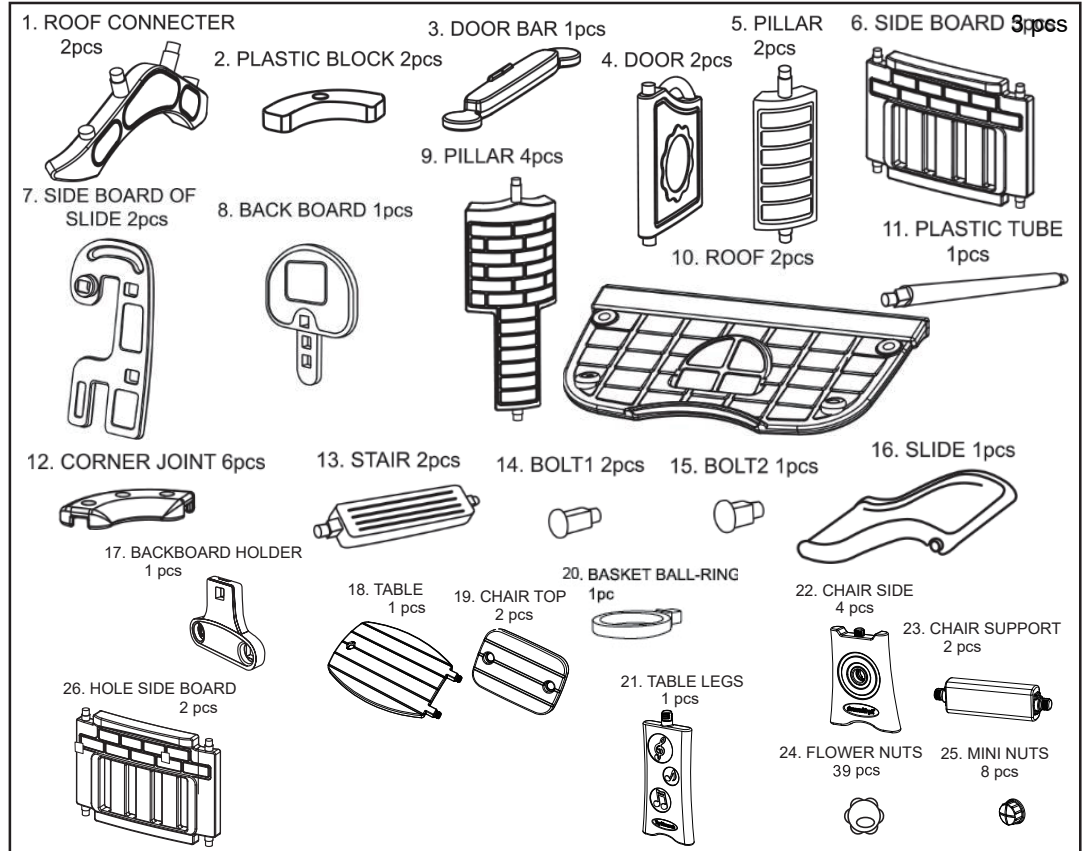
You are entitled to have the goods repaired or replaced if the goods fail to be of acceptable quality and the failure does not amount to a major failure. Full details of your consumer rights may be found at www.consumerlaw.gov.au

Please visit our website to view our full warranty terms and conditions:

<http://www.lifespankids.com.au/Warranty-Policy-Kids>

Please send all warranty and support inquiries through our ticketing system via the email address: support@lifespankids.com.au.

PARTS



The owner's manual contains safety, assembly, use and maintenance instructions. The product must be assembled by an adult who has read and understood these instructions.

Keep the packaging away from children and dispose of all packaging before use.

For the installer and your children's safety, it is important to fully read and understand the instructions and safety hazards before commencing the assembly of the product.

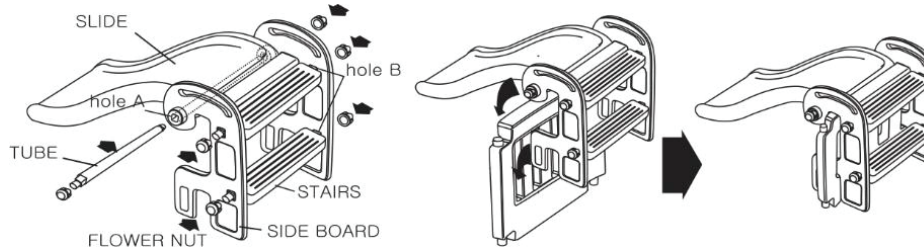


ASSEMBLY INSTRUCTIONS

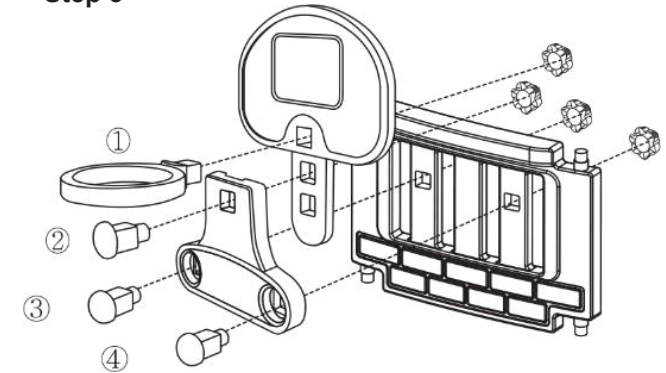
Step 1

Please refer to image on left.

1. Attach Part (13) to Part (7) secure with Part (21).
2. Attach Part (16) to Part (7) with Part (11) and secure with Part (21).
3. Attach the Part (9) to Part (6) as shown in image.



Step 3



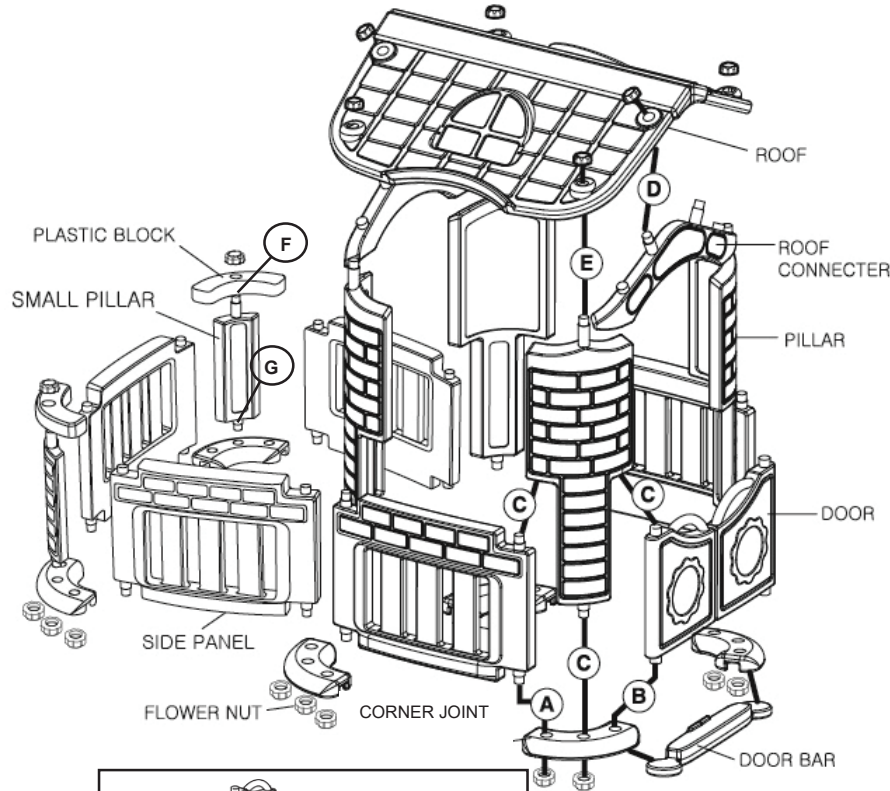
Please refer to image above.

1. Attach Part (20) and Part (8) together with Part (6), secure with Part (21).
2. Attach Part (17) and Part (8) together with Part (14), Part (15) and secure with Part (21).

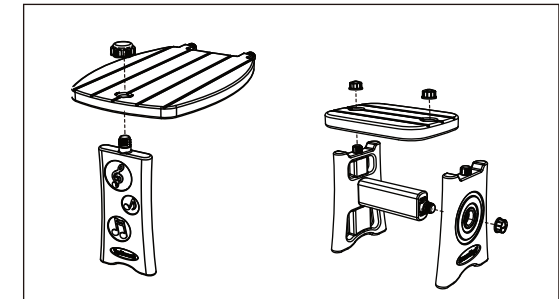
Step 2

Please refer to image on right.

- (A) Attach Part (6) to Part (12), secure with Part (21).
- (B) Secure Part (4) and Part (3) onto Part (12).
- (C) Attach Part (9) onto Part (12), (Part 6) and Part (4) (for the 2x Pillars near the door). Secure with Part (21).
- (D) Attach Part (1) to Part (9) and secure with Part (21).
- (E) Secure Roof onto Part (9) with Part (21).
- (F) Attach Part (2) onto Part (5) with Part (21).
- (G) Connect Part (5) onto Part (12) with Part (21).

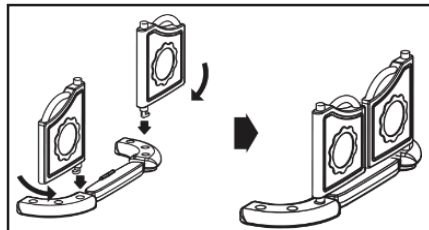


Step 4



Please refer to image above.

1. Secure desk with Part (21) and attach onto Part (6).



IMPORTANT:

The owner's manual contains safety, assembly, use and maintenance instructions. The product must be assembled by an adult who has read and understood these instructions. Keep the packaging away from children and dispose of all packaging before use. For the installer and your children's safety, it is important to fully read and understand the instructions and safety hazards before commencing the assembly of the product.