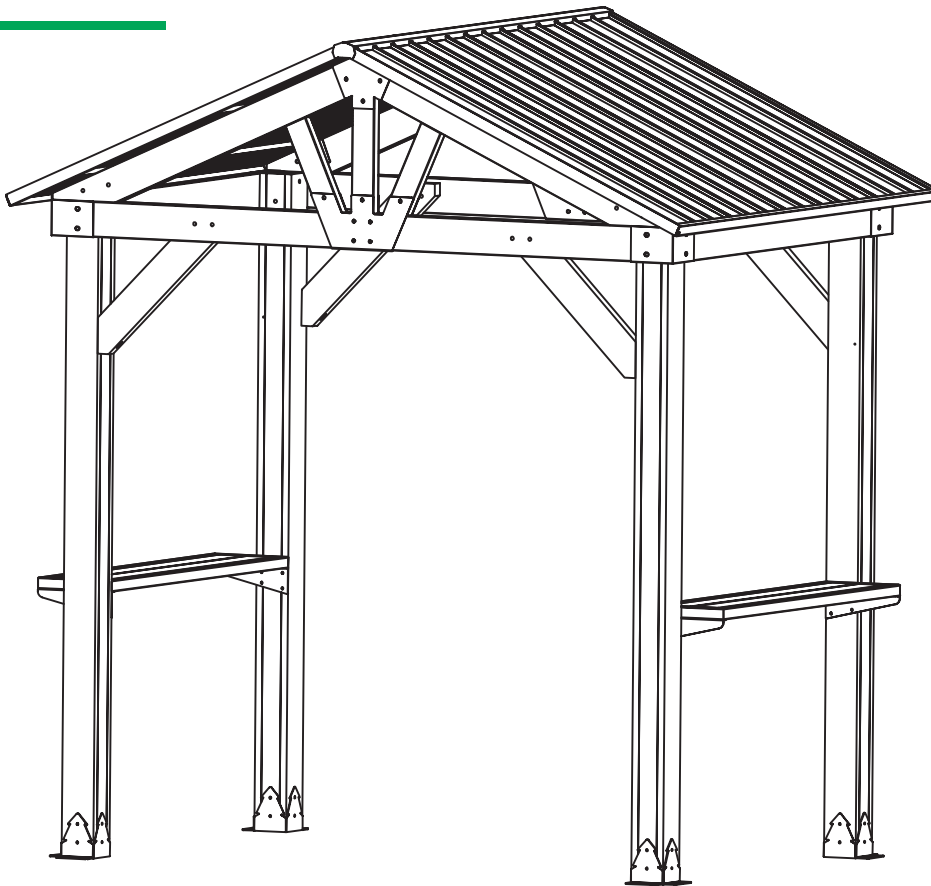


USER MANUAL

Yardtopia Oslo BBQ/ Grill Gazebo



Find the Digital
Manual Online



YT020 & YT021 & YT022 & YT023



WARNING: The disassembled product may contain small parts which pose a choking hazard to children under 3.

IMPORTANT:

This product may contain sharp points and small parts prior to assembly. The owner's manual contains safety, assembly, use and maintenance instructions. This product must be assembled by an adult who has read and understood these instructions. Keep the packaging away from children and dispose of all packaging before use.

For the installer and your children's safety, it is important to fully read and understand the instructions and safety hazards before commencing the assembly of the product.

NOTE:

This manual should not be used to guide your purchasing decision. Your product, and the contents inside its carton, may vary from what is listed in this manual. This manual may also be subject to updates or changes. Updated manuals are available through our website at www.lifespankids.com.au.

TABLE OF CONTENTS

I. SAFETY WARNINGS AND MAINTENANCE INSTRUCTIONS	3
II. WOOD ADVICE	4
III. ASSEMBLY INSTRUCTIONS	7
IV. EXPLODED DIAGRAM	32
V. WARRANTY	33

I. SAFETY WARNINGS AND MAINTENANCE INSTRUCTIONS

IT IS IMPORTANT TO CHECK AND TIGHTEN ALL HARDWARE AT THE BEGINNING AND DURING THE SEASON AS THEY MAY LOOSEN.



IMPORTANT: Owners are responsible for maintaining the legibility of warning labels. Retain this manual for future reference on maintenance instructions.

- Do not climb or walk on the roof for any reason.
- Assembly requires two or more people to ensure safety.
- Before digging or driving stakes into the ground, check for underground utilities.
- Carefully check for overhead lines, ensuring there is at least 6 feet (2 meters) of clearance from electrical wires.
- Building permits may be required for permanent structures. As the purchaser or installer, consult local planning, zoning, and building inspection departments to confirm compliance with applicable building codes and zoning regulations.
- Wear gloves during installation to prevent injury.
- Follow all safety warnings provided with your tools, and wear safety glasses during installation.
- Check and tighten all nuts and bolts twice a month during the usage season. Be careful not to overtighten. Pay special attention at the beginning of each season.
- Oil all metallic moving parts monthly during the usage season.
- Inspect all bolt coverings and sharp edges twice a month to ensure they are securely in place and replace them if necessary—especially at the start of each season.
- Surface rust or rust can occur when protective coatings are scratched or in high salt or moisture content areas. To minimize this condition, if any scratch surfaces appear, immediately touch up with rust inhibiting paint.
- For rusted areas on metallic parts like hinges or brackets, sand and repaint using non-lead based paint. Do not leave any surface rust unattended as the oxidation can worsen and will make it difficult to remove the rust later on.
- Do not use any abrasive cleansers for the cleaning. Use a soft, damp cloth to eliminate dirt and dust.
- Clean out debris such as fallen leaves regularly.

- Regularly inspect the stability of the pergola/gazebo, as this is crucial for safety. Any damage caused by the pergola detaching from its foundation due to natural disasters, high winds, or other extreme weather conditions is the responsibility of the homeowner and installer and is not covered under the manufacturer's warranty.

II. WOOD ADVICE

Lifespan Kids uses 100% cedar wood. While we carefully select the highest quality lumber available, wood is a natural product and may be susceptible to weathering, which can affect the appearance of your set.

WHAT CAUSES WEATHERING? DOES IT AFFECT THE STRENGTH OF MY PRODUCT?

One of the primary causes of weathering is the effect of moisture. The moisture content at the surface of the wood differs from that of the interior. As climate conditions change, moisture moves in or out of the wood, causing tension that can result in checking or warping. You can expect the following due to weathering, though these changes will not affect the strength of the product:

1. **Checking** refers to surface cracks in the wood along the grain. A post (4" x 4") is more prone to checking than a board (1" x 4") because there is a greater difference in moisture content between the surface and the interior of thicker wood.
2. **Warping** results from distortions (twisting, cupping) in the original shape of the board and typically occurs from rapid cycles of wetting and drying.
3. **Fading** is a natural process where the wood colour changes due to sun exposure, gradually turning grey over time.

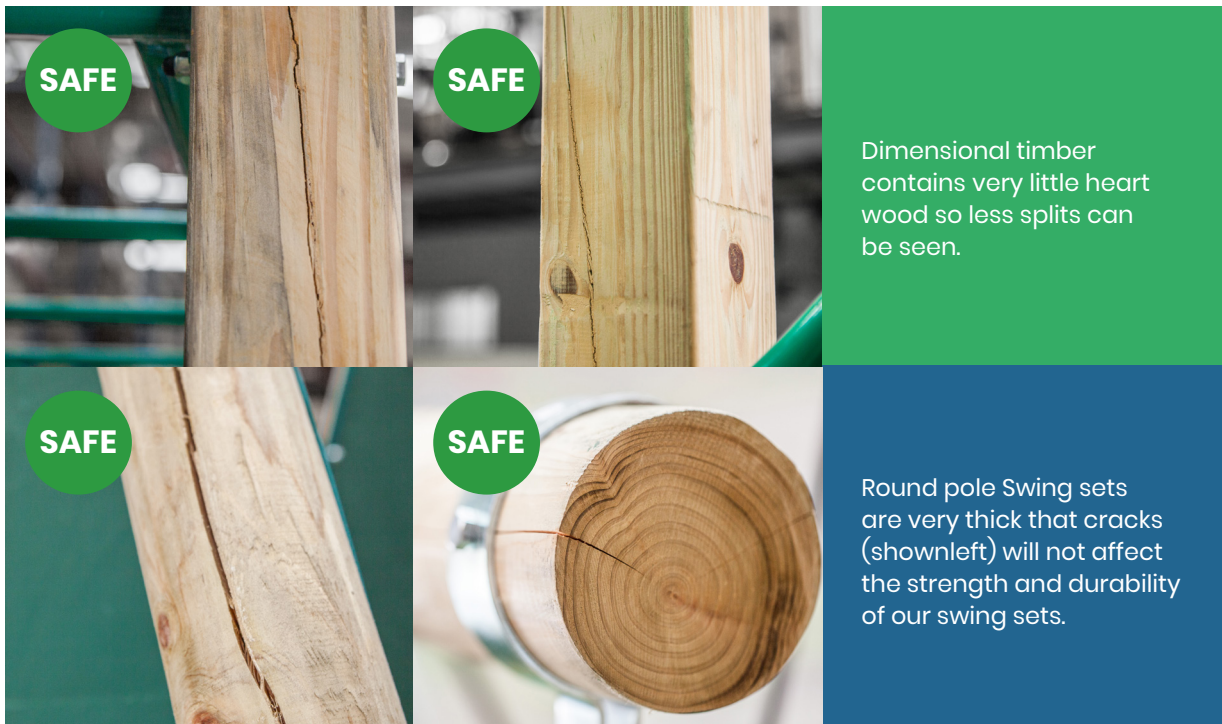
HOW CAN I REDUCE WEATHERING ON MY WOOD PRODUCT?

One of the primary causes of weathering is the effect of moisture. The moisture content at the surface of the wood differs from that of the interior. As climate conditions change, moisture moves in or out of the wood, causing tension that can result in checking or warping. You can expect the following due to weathering, though these changes will not affect the strength of the product:

1. Your wood product is coated with a water-based stain, but sunlight will degrade this coating over time. We recommend applying a water repellent or stain annually (consult your local stain and paint supplier for recommended products). It is essential to apply some form of protection (sealant) to the wood. This is a **requirement of your warranty**. Most weathering is a normal consequence of nature and does not affect safety. However, if you believe a part has experienced severe weathering, please contact our customer service department for further assistance.
2. **Inspect wood parts monthly**. During dry seasons, the grain may lift, causing splinters. Light sanding may be necessary to ensure safety. After sanding, applying a protective sealant will help prevent severe checking, splitting, and other weather-related damage.

WHEN SHOULD WOOD CRACKS BE A CONCERN?

Most of the wood splits will never become large enough to affect the reliability and strength of our products, however, there can be rare cases where splits can occur. This happens when a crack develops past the halfway point from the timber, splitting it into two separate pieces. Feel free to contact us with detailed pictures of your product so we can assess and ensure that your playground remains safe.



For more information: www.lifespankids.com.au/natural-timber

III. PREPARATION

PLACEMENT OF PRODUCT

It is critically important to start with square and level footings, a concrete pad, or a deck when attaching your structure.

- Pay close attention to the items required for each step. Ensure you are using the correct hardware for each step, as using incorrect hardware may result in improper assembly.
- Always double-check for underground utilities and overhead electrical lines before proceeding.
- Check the concrete surface is not damaged and structurally compliant. The thickness of the concrete base is required to be around 100mm.

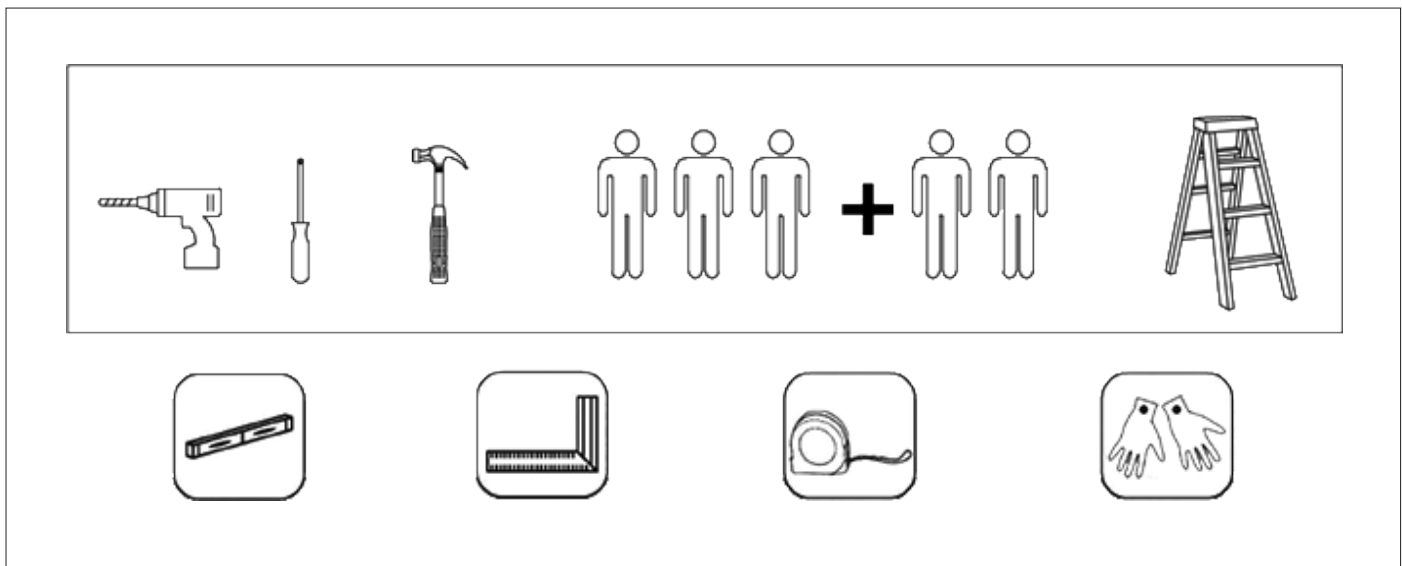
OWNER'S MANUAL: BASIC SETUP DIMENSIONS & ASSEMBLY NOTES

Post mounts are provided with your structure to allow for permanent installation on a pre-existing concrete surface.

- Hardware to attach the post mounts to the structure is included.
- Hardware to mount the structure permanently to a concrete surface is not included and must be purchased separately.
- Hardware to mount the structure permanently to a wood deck is not included. Ensure there is sufficient structural support under the deck before attaching the structure permanently.

METAL ROOF ASSEMBLY

- Place roofing materials on a non-abrasive, flat surface both before and after assembly to avoid bending, denting, or scratching.

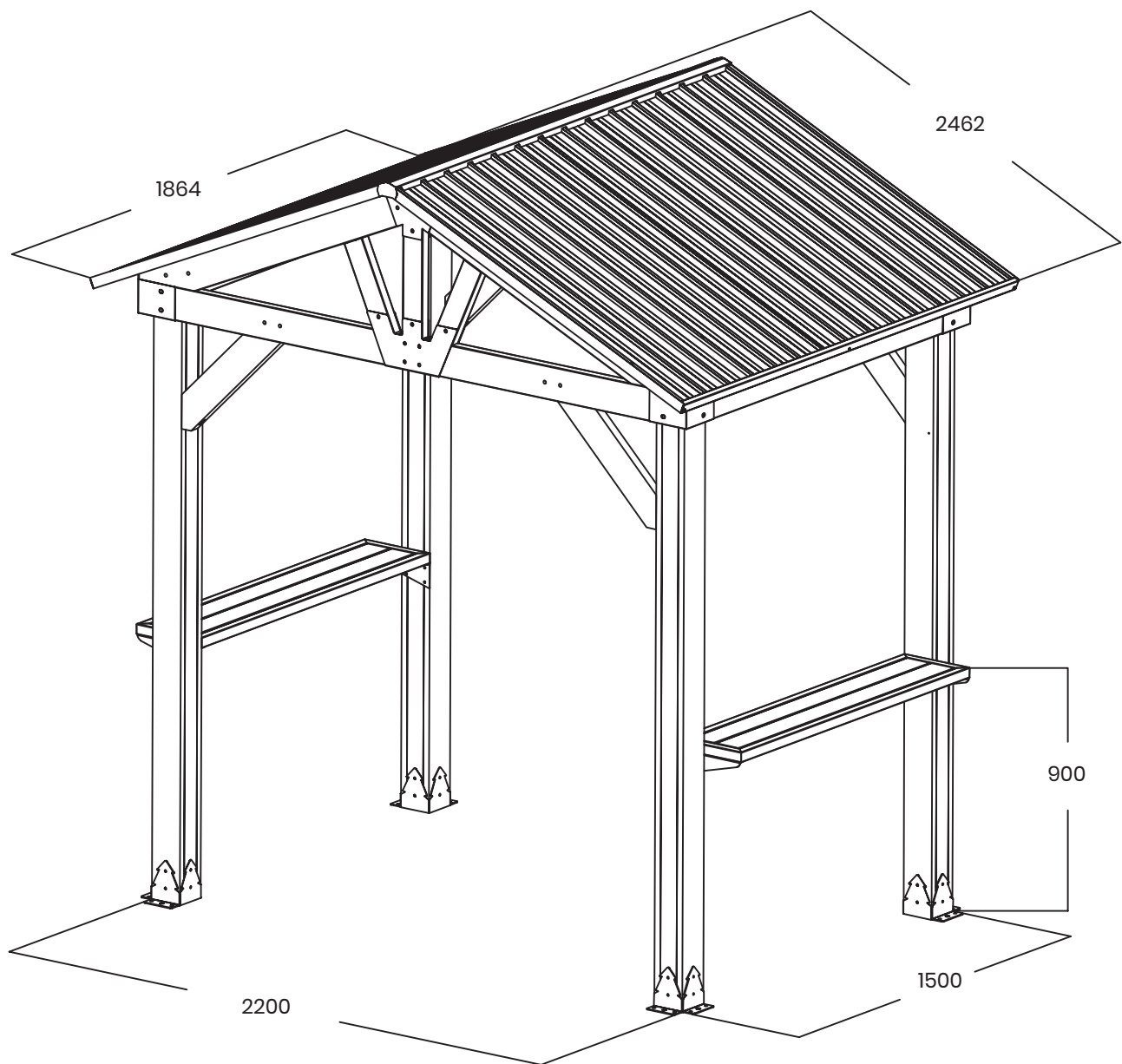


BEFORE YOU START

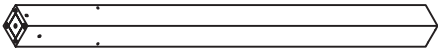

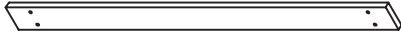
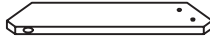



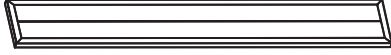









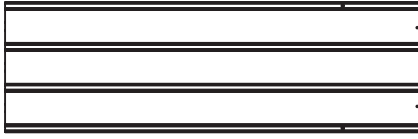
1. Please read all instructions carefully.
2. Separate and count all parts and hardware.
3. Ensure weather conditions are good for the whole day as this may take a few hours for installation.
4. Keep all small parts away from children and pets as they can pose a choking hazard.

III. ASSEMBLY INSTRUCTIONS

SET UP DIMENSIONS



PARTS LIST

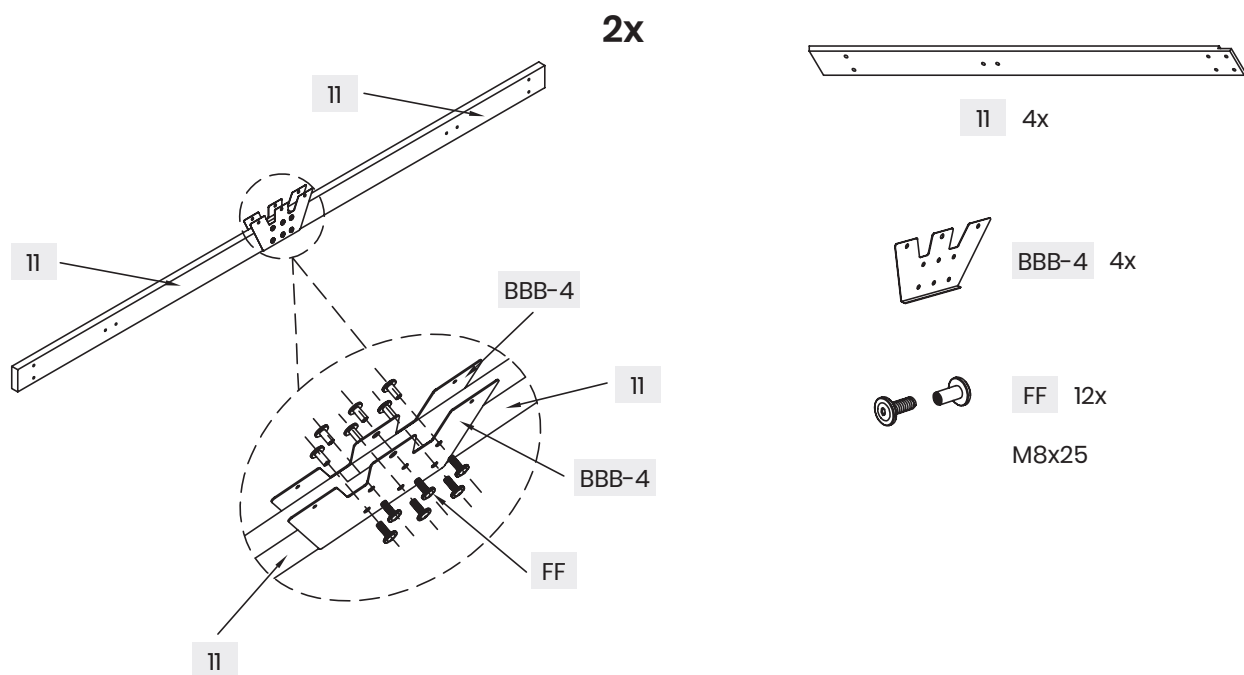
Part No.	Quantity	Reference Image
06	4	
11	4	
12	2	
26	4	
36	4	
40	2	
41	4	
90	2	
B101	2	
B102	2	
D101	2	
G101	1	
H101	2	
K101	2	
K102	2	
S101	1	
T61	2	
T60	8	

Part No.	Quantity	Reference Image
AAA-1	8	
BBB-4	4	
CCC-3	2	
EEE-2	2	
RRR-2	2	
RRR-21	4	

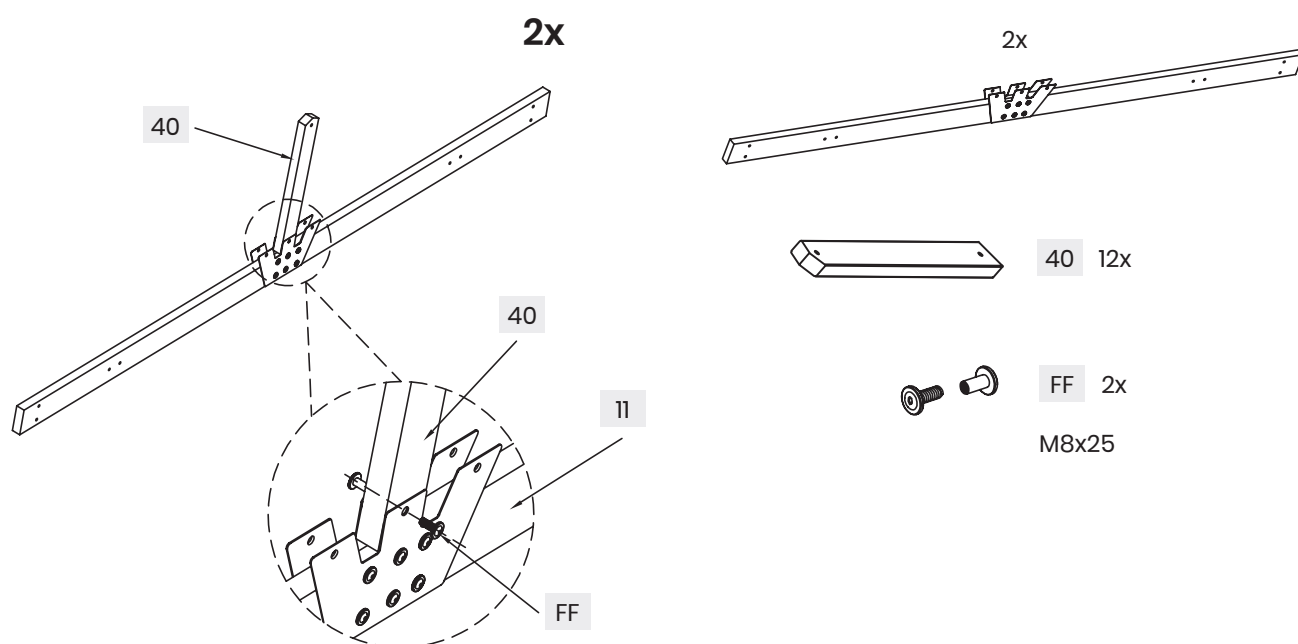
Part No.	Quantity	Reference Image
AAA-2	8	
BBB-6	4	
EEE-1	2	
RRR-1	2	
RRR-12	2	
X5	4	

AA-1 x 8 M8 x 145	AA-4 x 8 M8 x 60	BB-1 x 32+3 M5 x 25	BB-2 x 56+4 M5 x 30	
BB-4 x 4 M5 x 40	CC x 8 M10 x 80	DD x 4 M6 x 70	EE x 4+2 M6 x 25	
FF x 32+2 M8 x 25	GG x 2+1 M6	II x 2 M6 x 70	KK x 4+1 M5 x 90	
LL x 8+2 M6 x 45	MM x 12+1 M6	NN-2 x 58+4 M6 x 12	UU x 16 ø6 x 200	QQ x 8 M10 x 80
Y2 x 1 M6	Y3 x 2 M10	Y4 x 2 M8	Y5 x 2 M8	Y6 x 2 M6

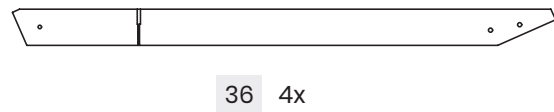
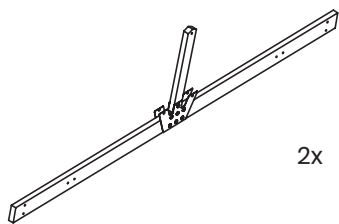
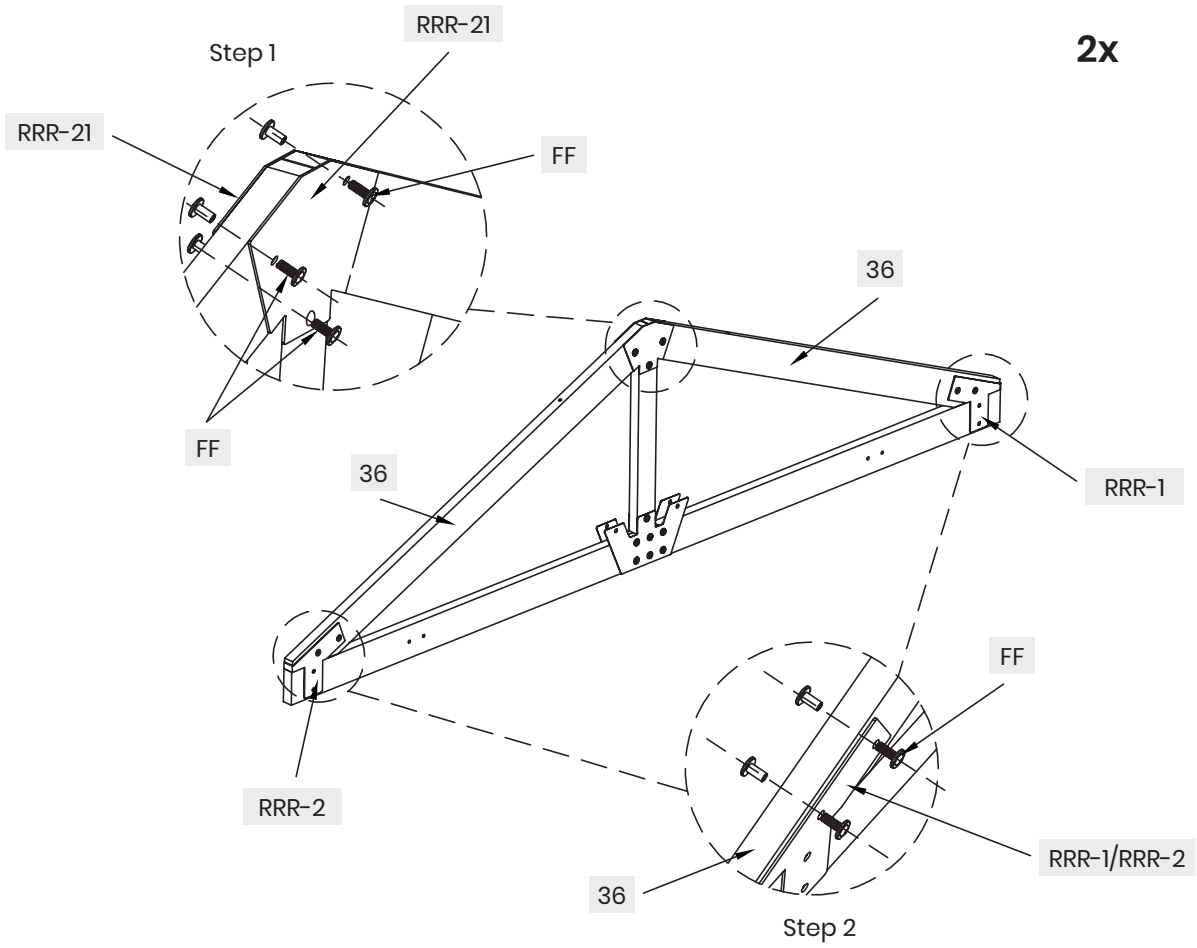
STEP 1



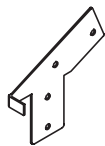
STEP 2



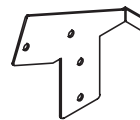
STEP 3



RRR-21 4x



RRR-1 2x

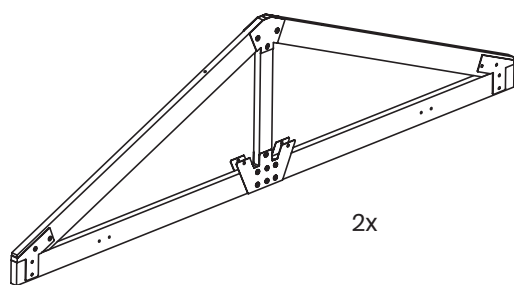
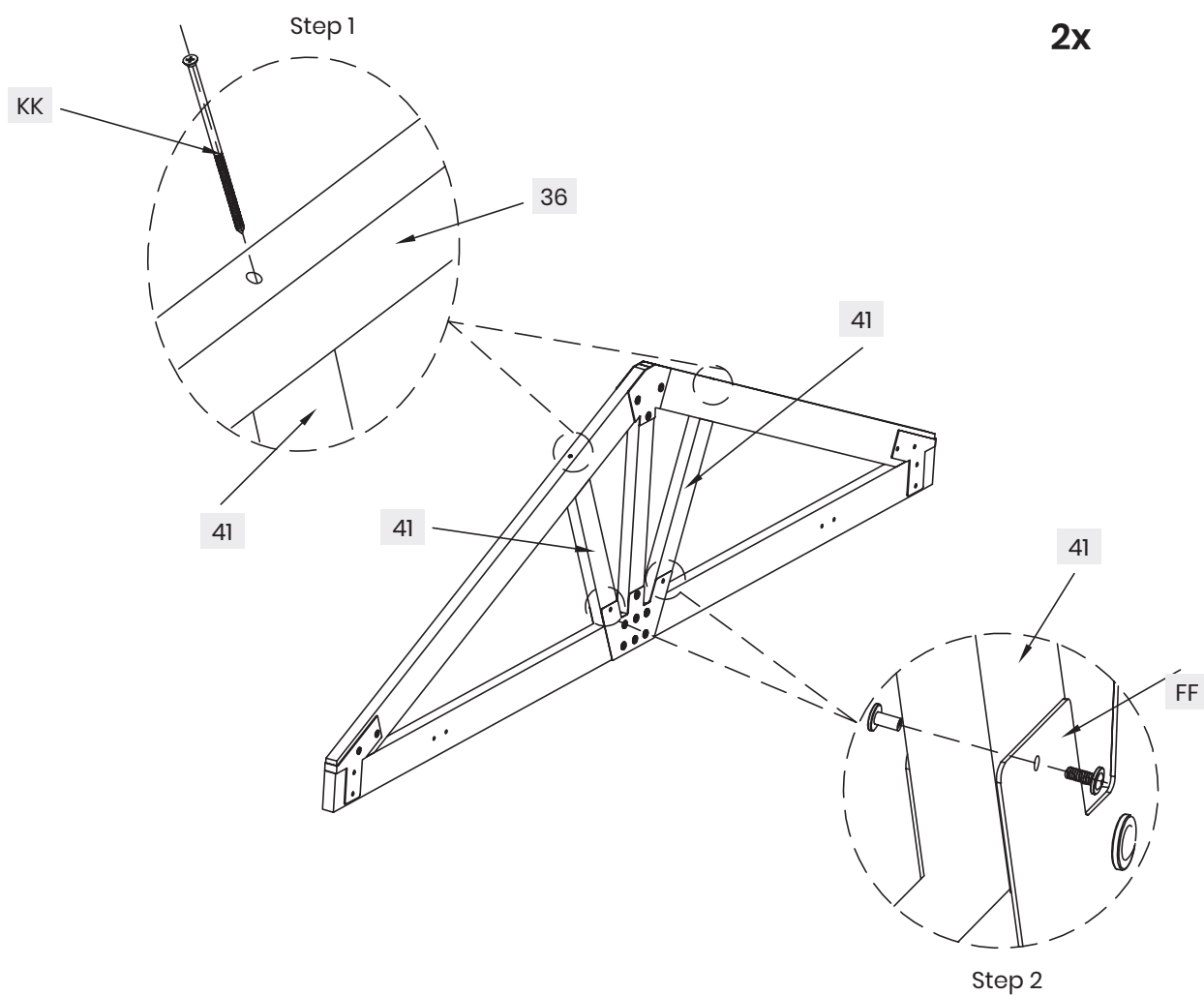


RRR-2 2x

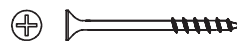


FF 14x
M8x25

STEP 4



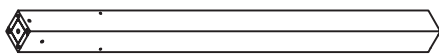
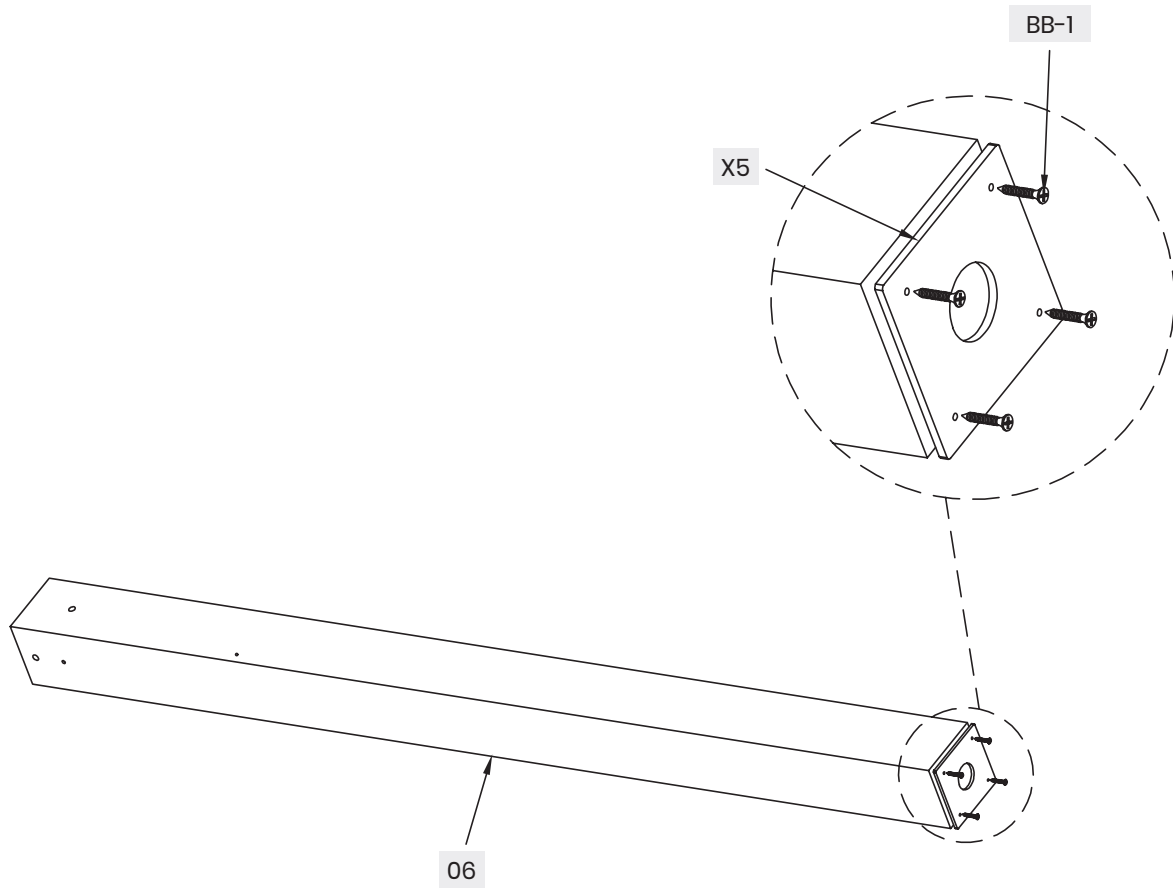
FF 4x
M8x25



KK 4x
M5x90

STEP 5

4x



06 4x

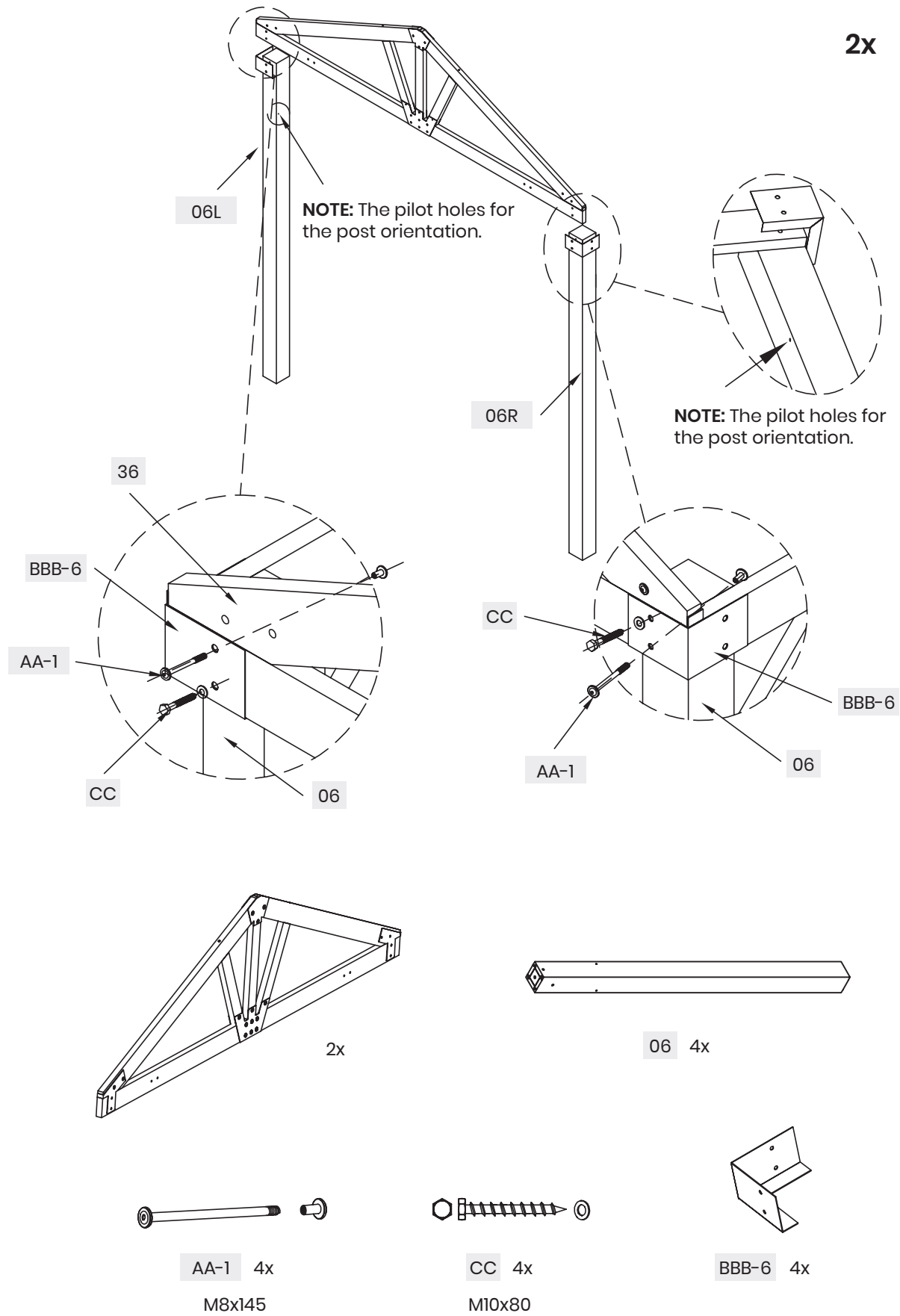


X5 4x



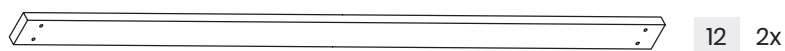
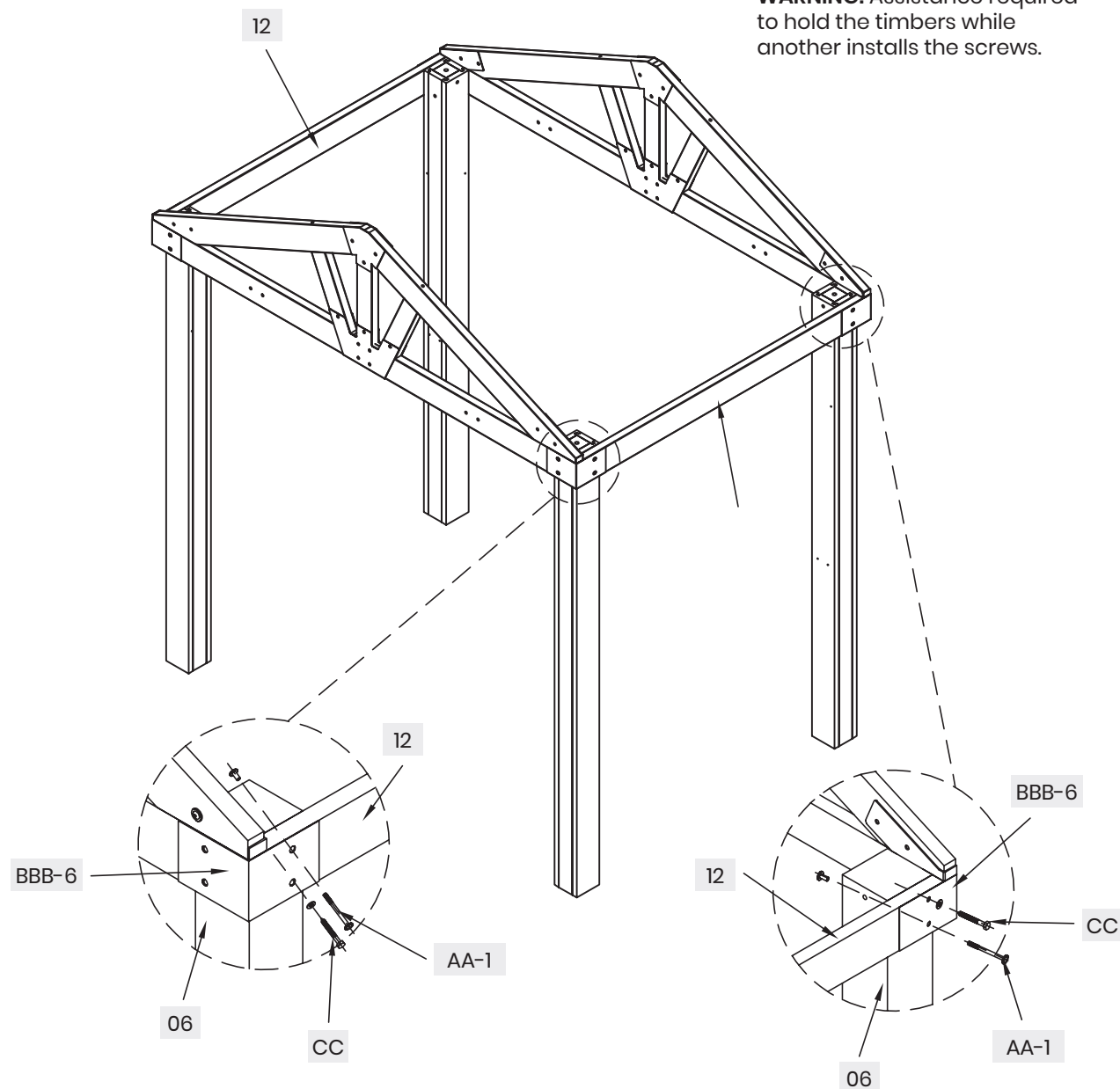
BB-1 16x
M5x25

STEP 6



STEP 7

WARNING: Assistance required to hold the timbers while another installs the screws.

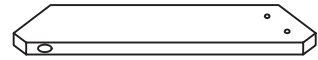
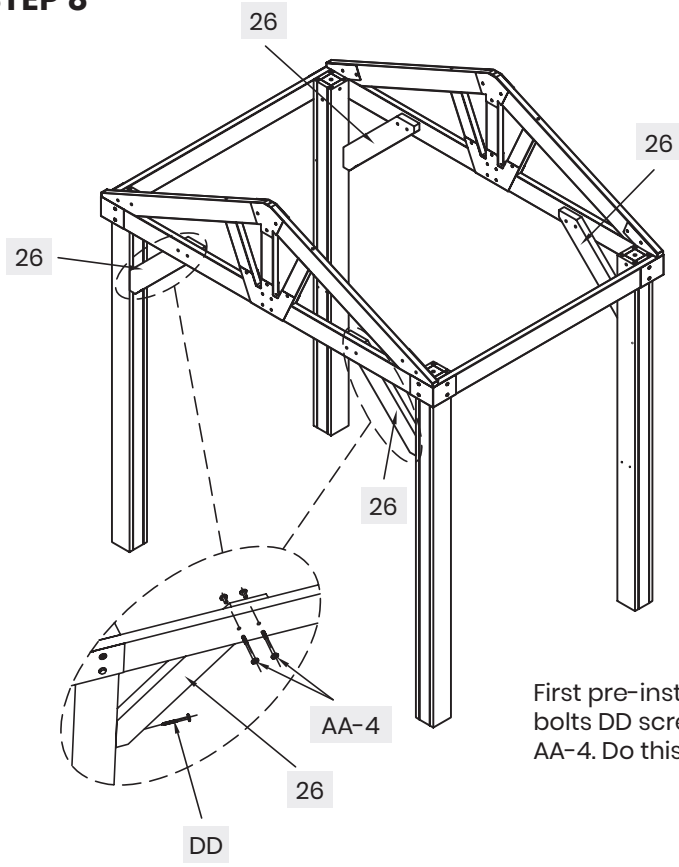


AA-1 4x
M8x145



CC 4x
M10x80

STEP 8



26 4x



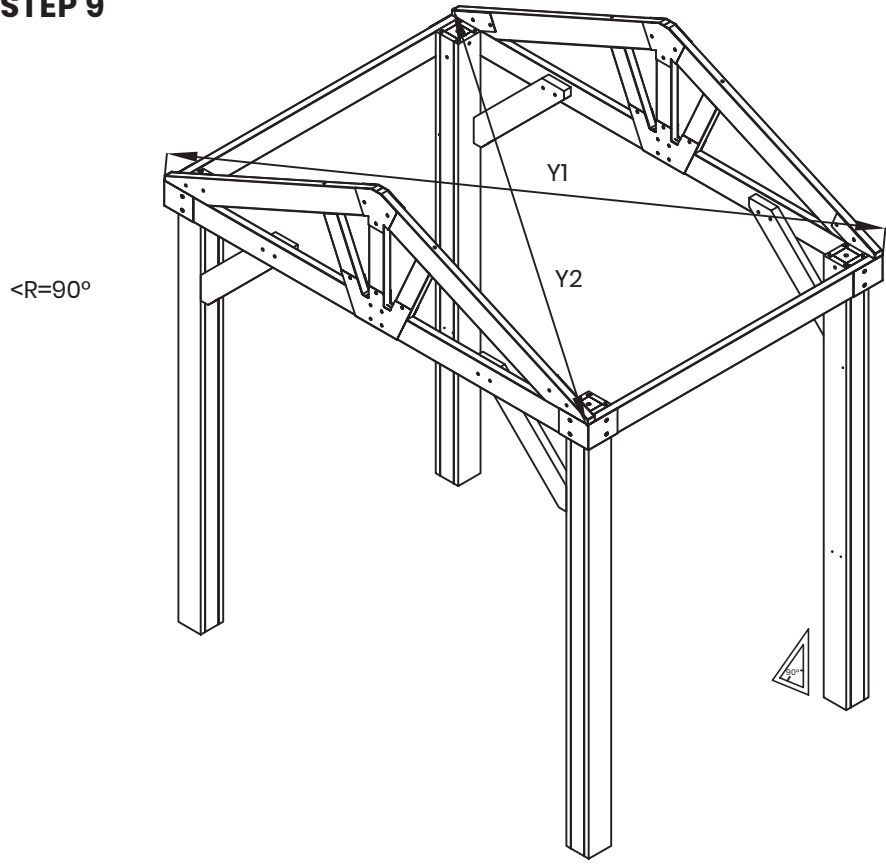
DD 4x
M6x70



AA-4 8x
M8x60

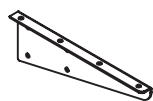
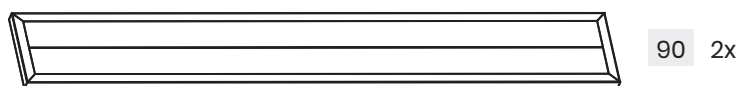
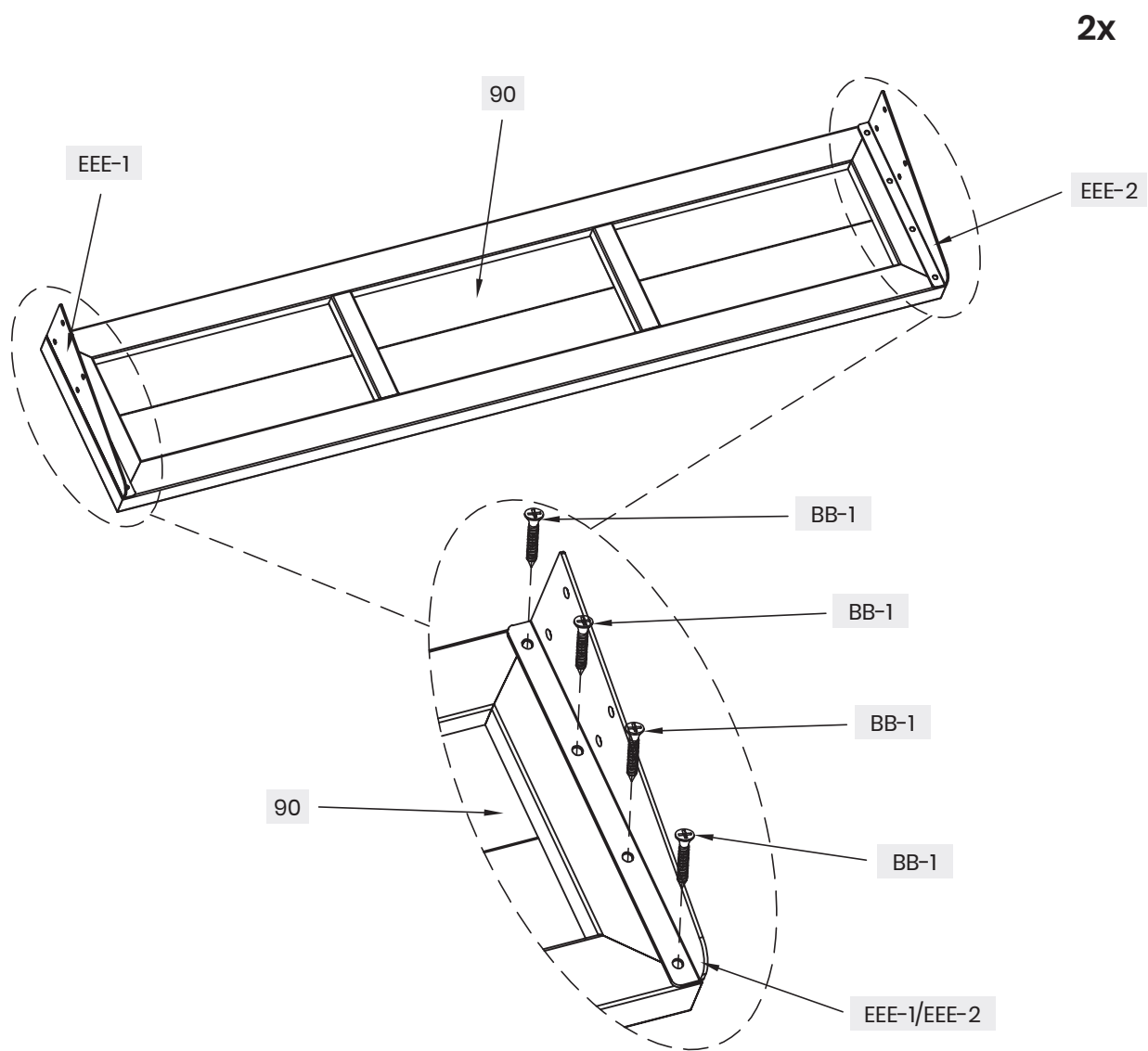
First pre-install bolts AA-4 (do not tighten), then tighten bolts DD screws. Finally tighten the pre-installed screws AA-4. Do this for all corners.

STEP 9

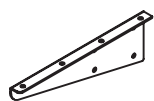


TIPS:
Check the frame measurements are same by measuring from one post to the opposite post diagonally and also the angles of the legs are at 90 degree angles.

STEP 10



EEE-1 2x

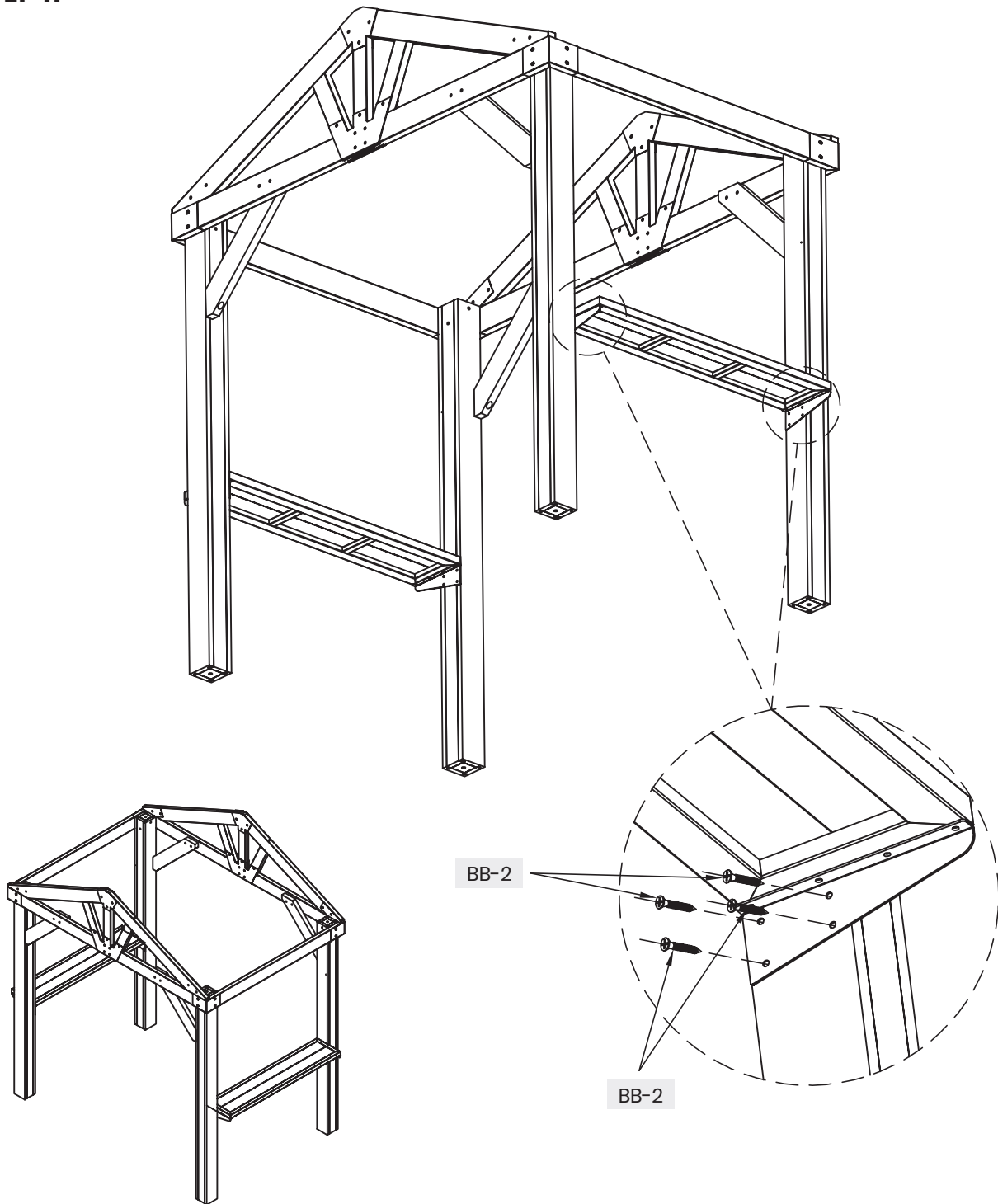


EEE-2 2x



BB-1 16x
M5x25

STEP 11



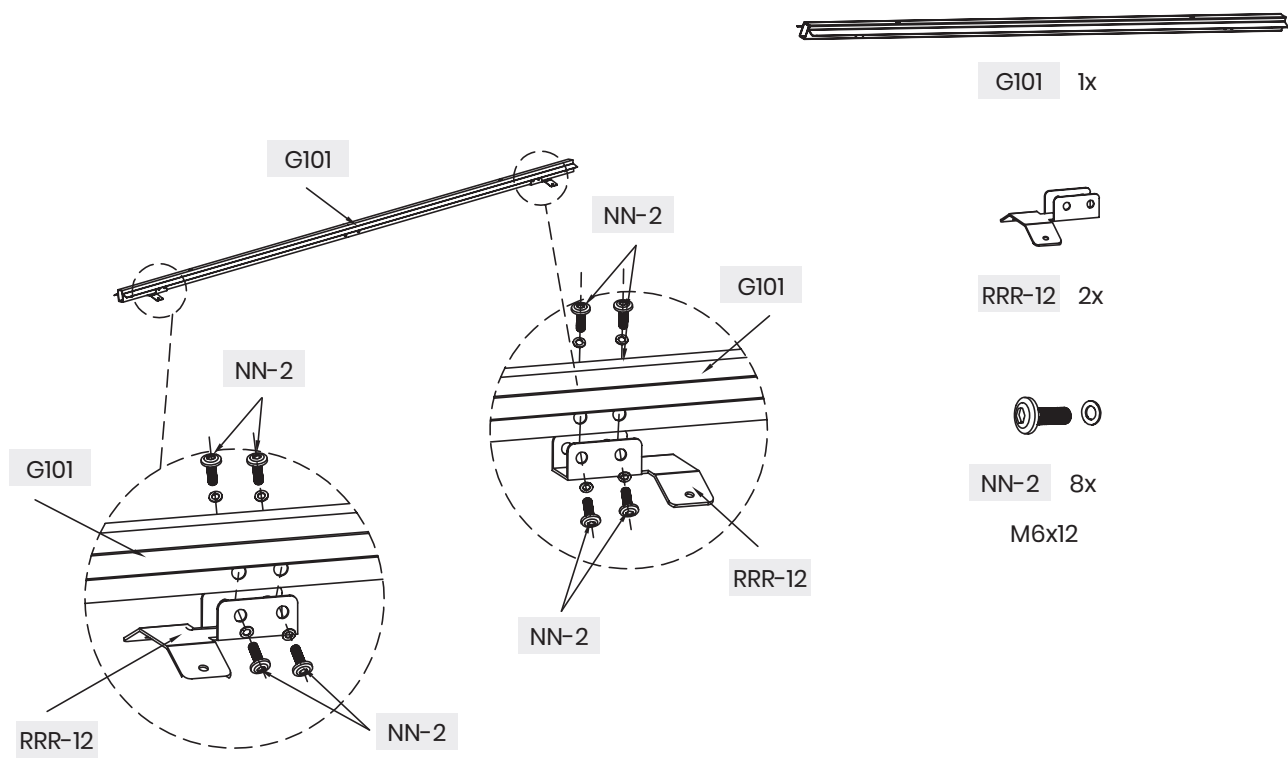
2x



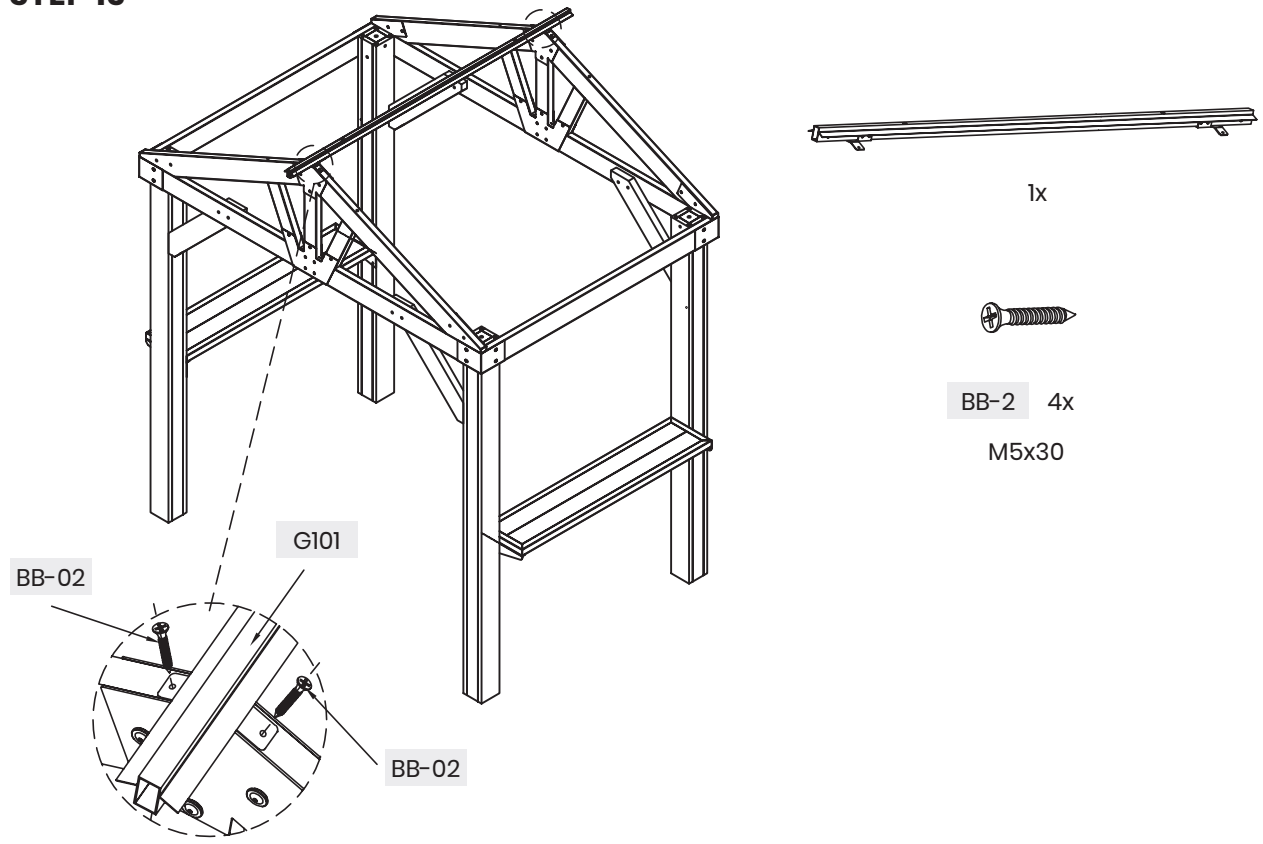
BB-2 16x

M5x30

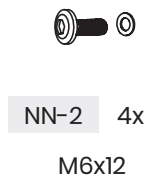
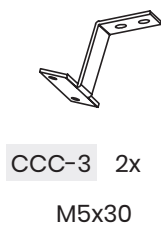
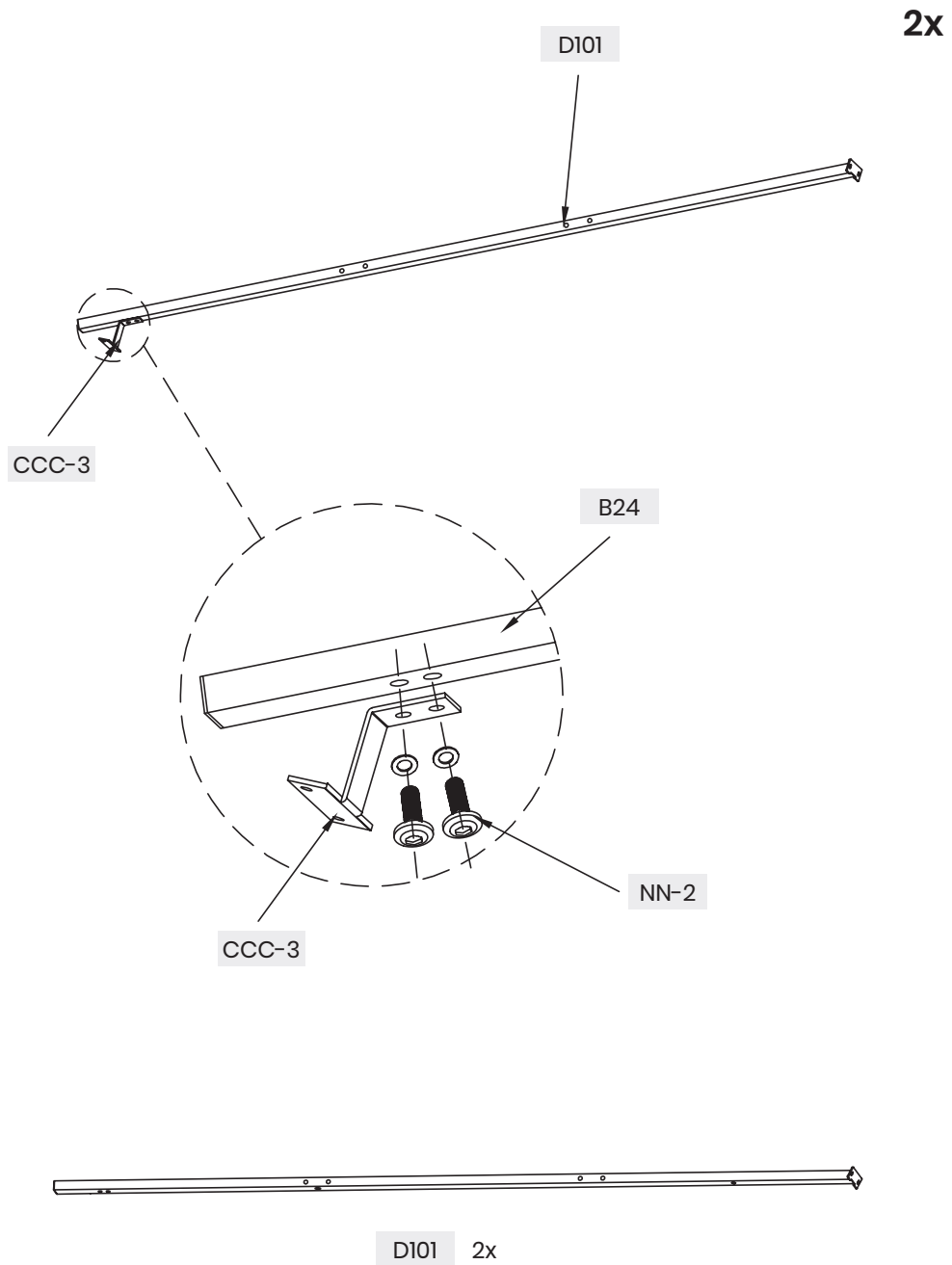
STEP 12



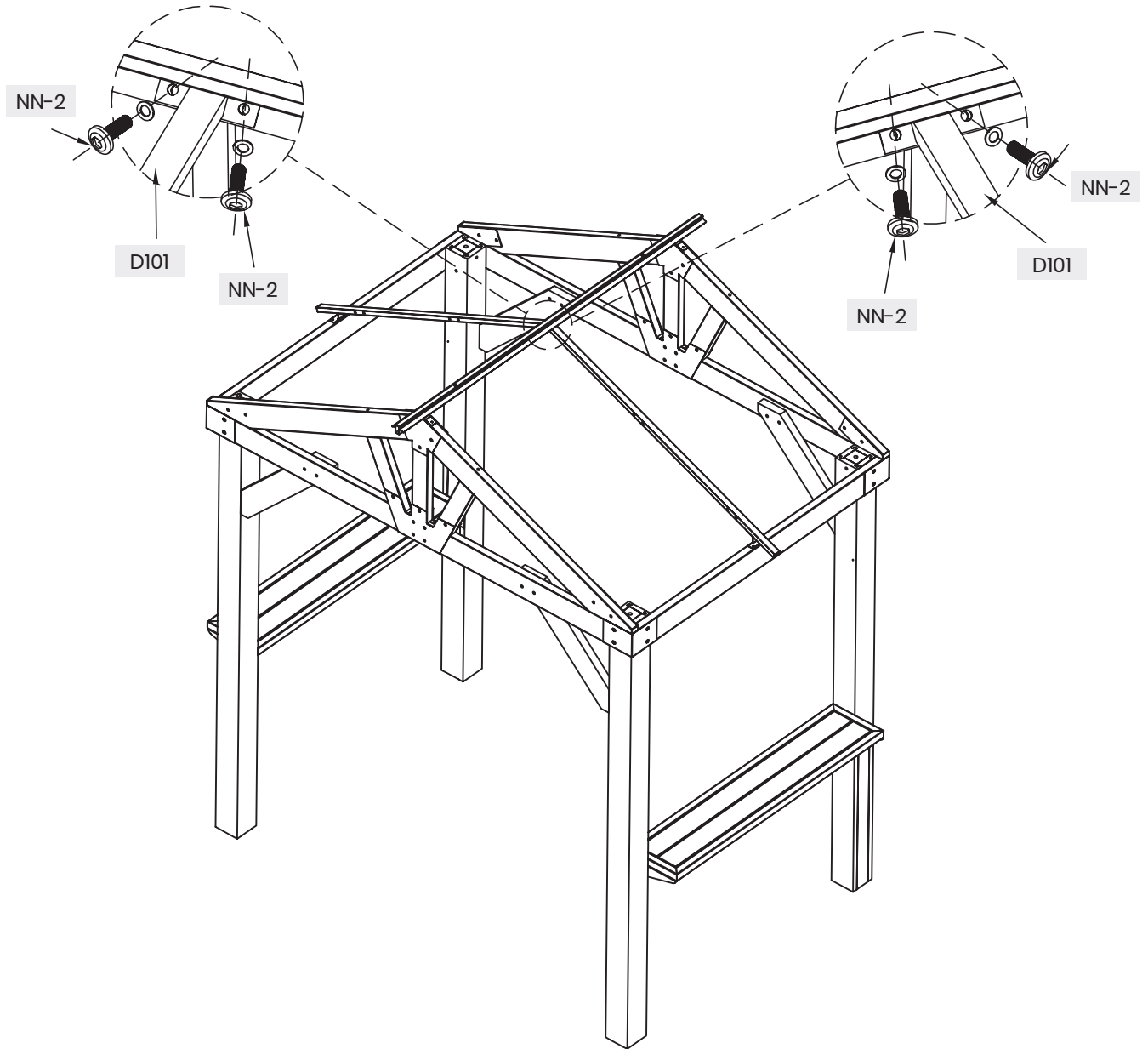
STEP 13



STEP 14



STEP 15



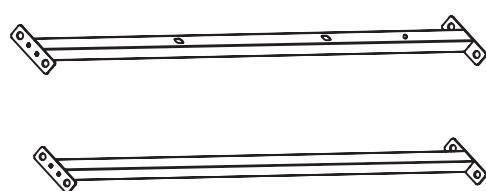
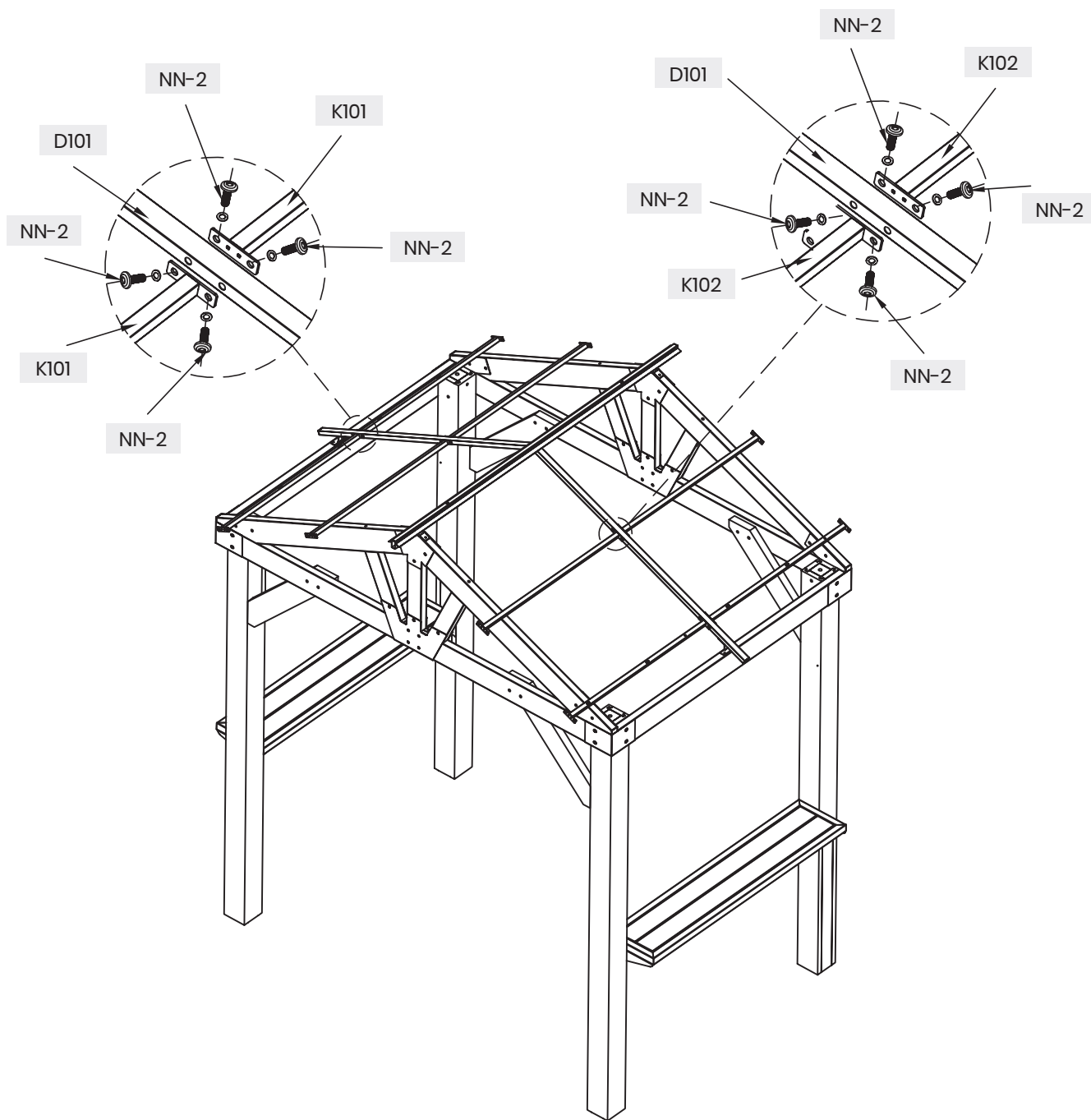
2x



NN-2 4x

M6x12

STEP 16



K101 4x

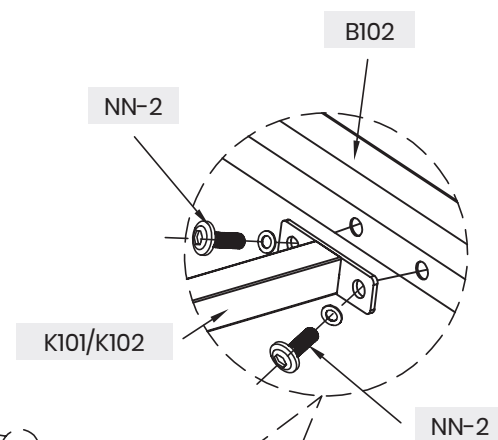
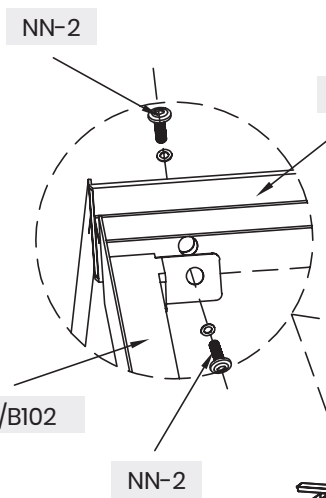
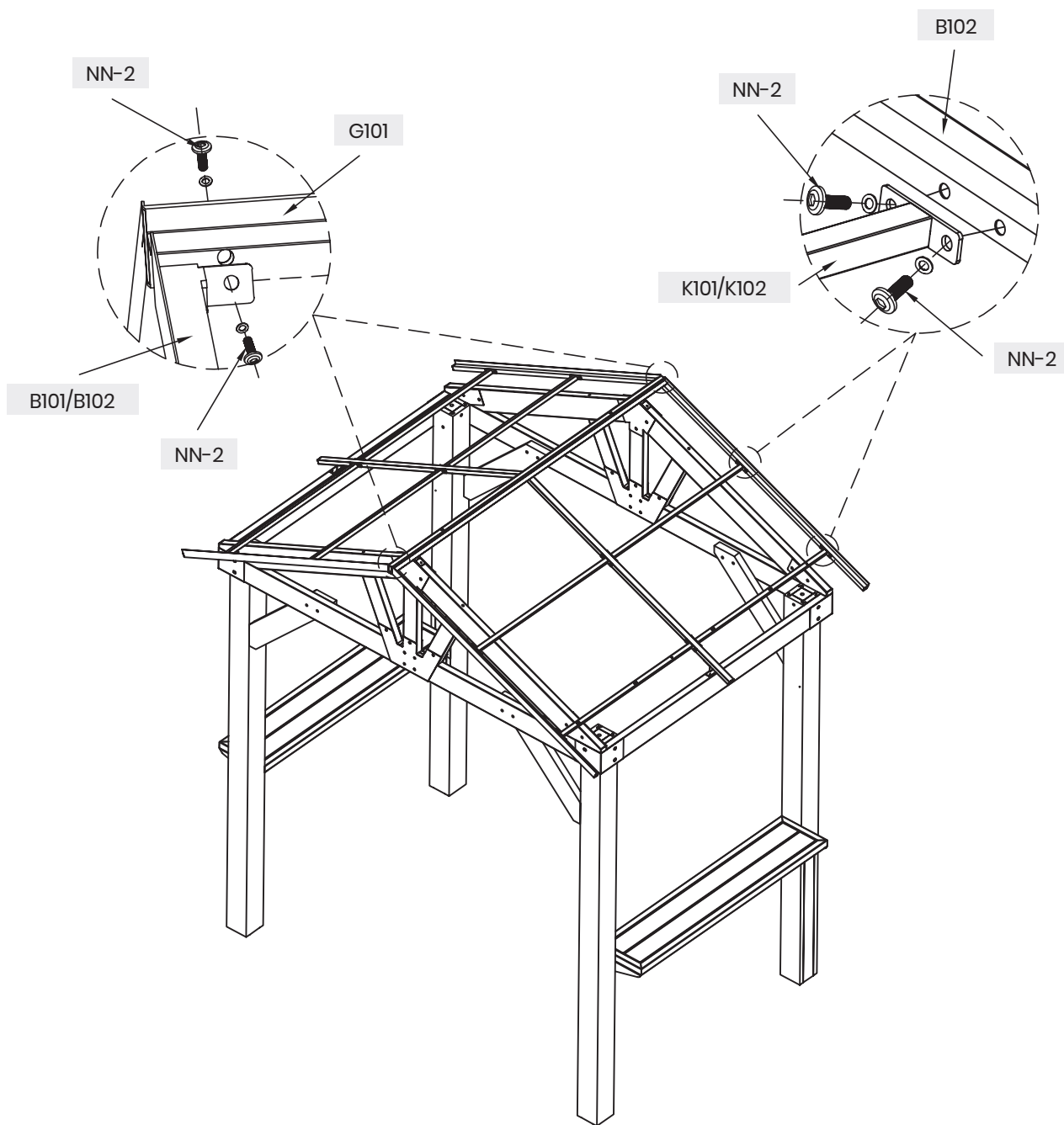
K102 4x

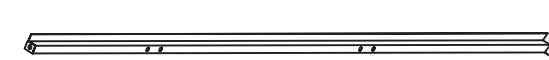




NN-2 16x

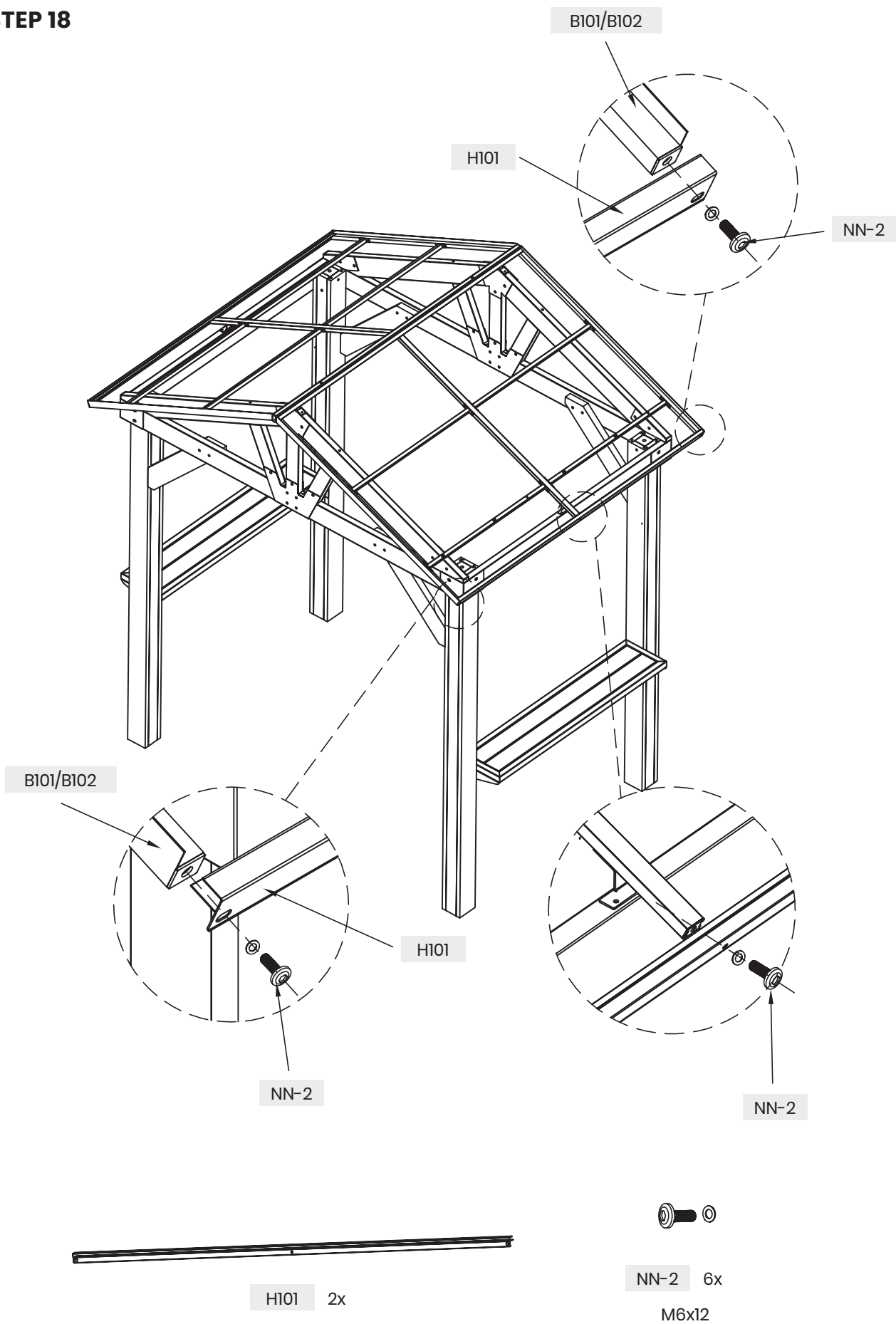
M6x12

STEP 17

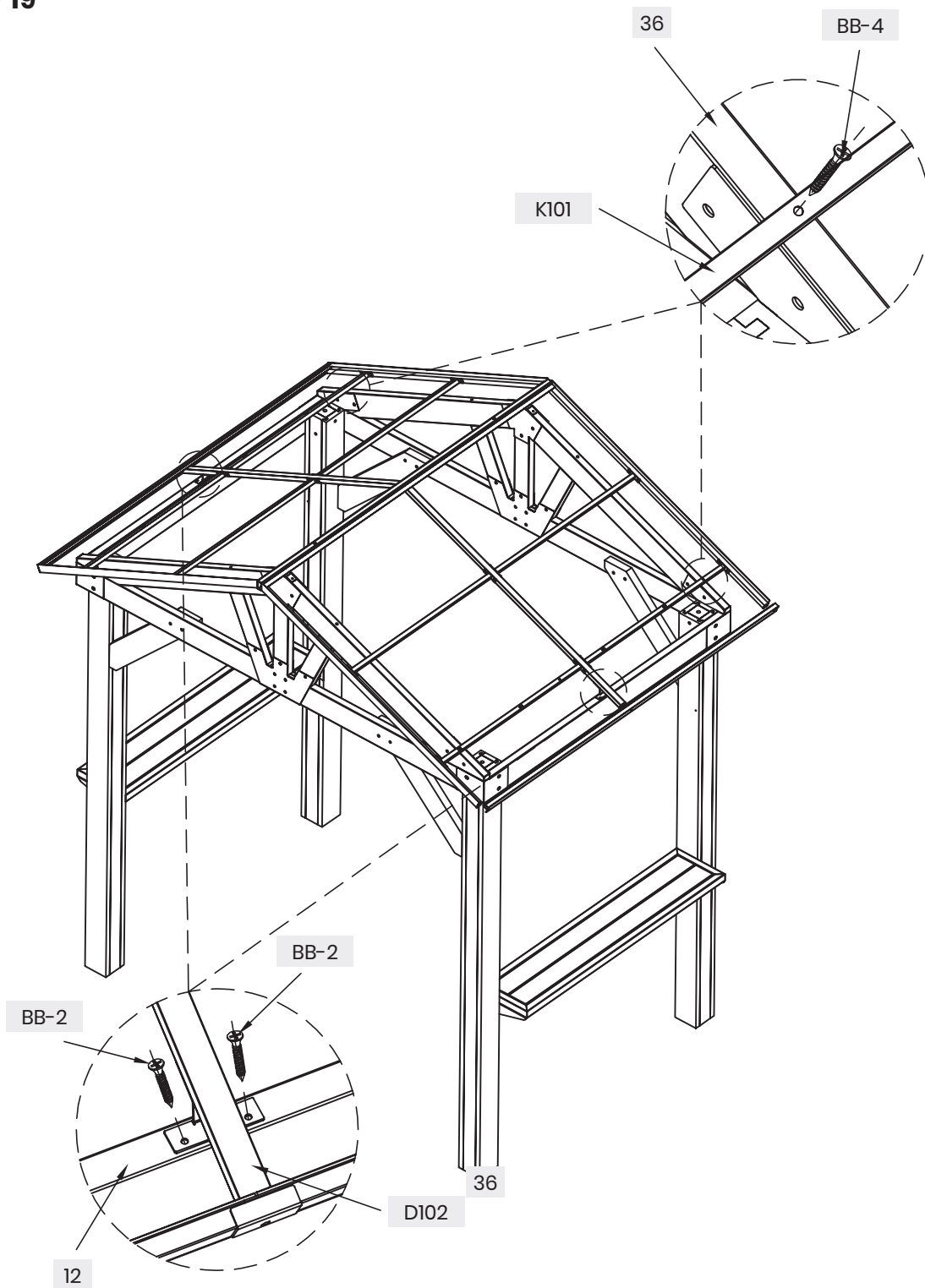


- | | | |
|---|---------|---|
|  | B101 2x |  |
|  | B102 2x | NN-2 20x
M6x12 |

STEP 18



STEP 19



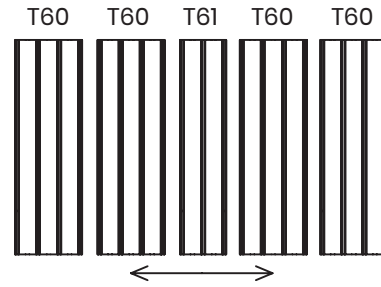
BB-2 4x
M5x30



BB-4 4x
M5x40

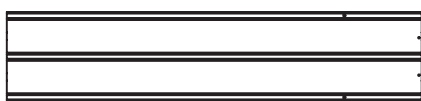
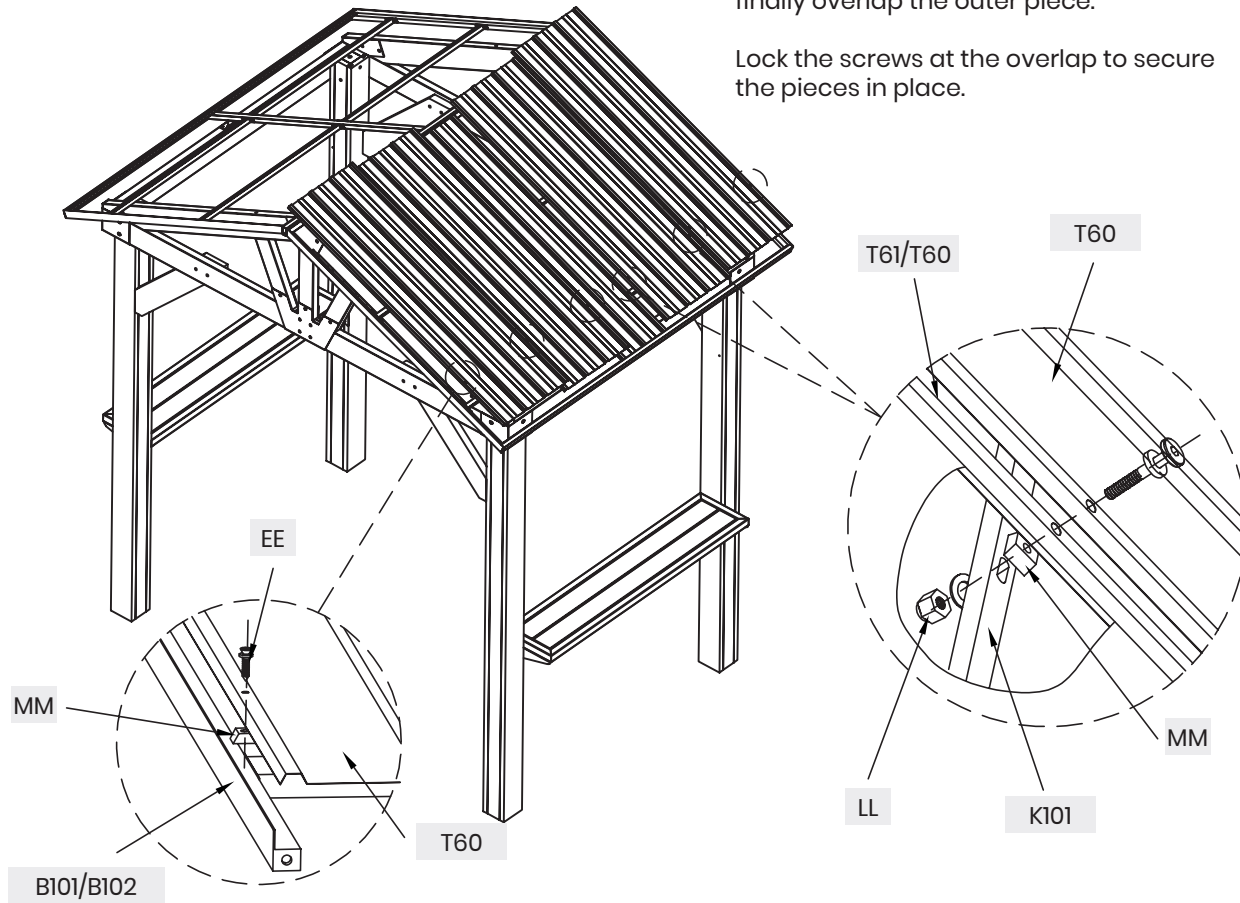
STEP 20

WARNING: Wear gloves when working with metal sheets to avoid injury.

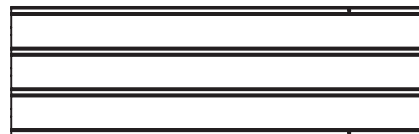


Attach the small center piece first. Then overlap with the 2x middle piece and finally overlap the outer piece.

Lock the screws at the overlap to secure the pieces in place.



T61 1x



T60 4x



EE 2x

M6x25



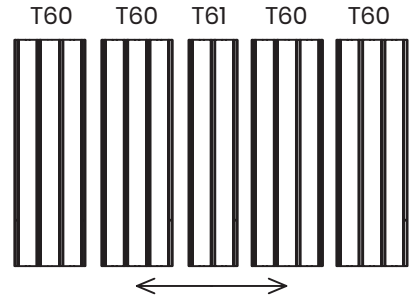
MM 6x



LL 4x

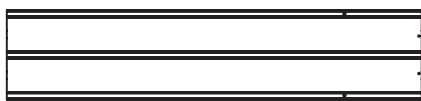
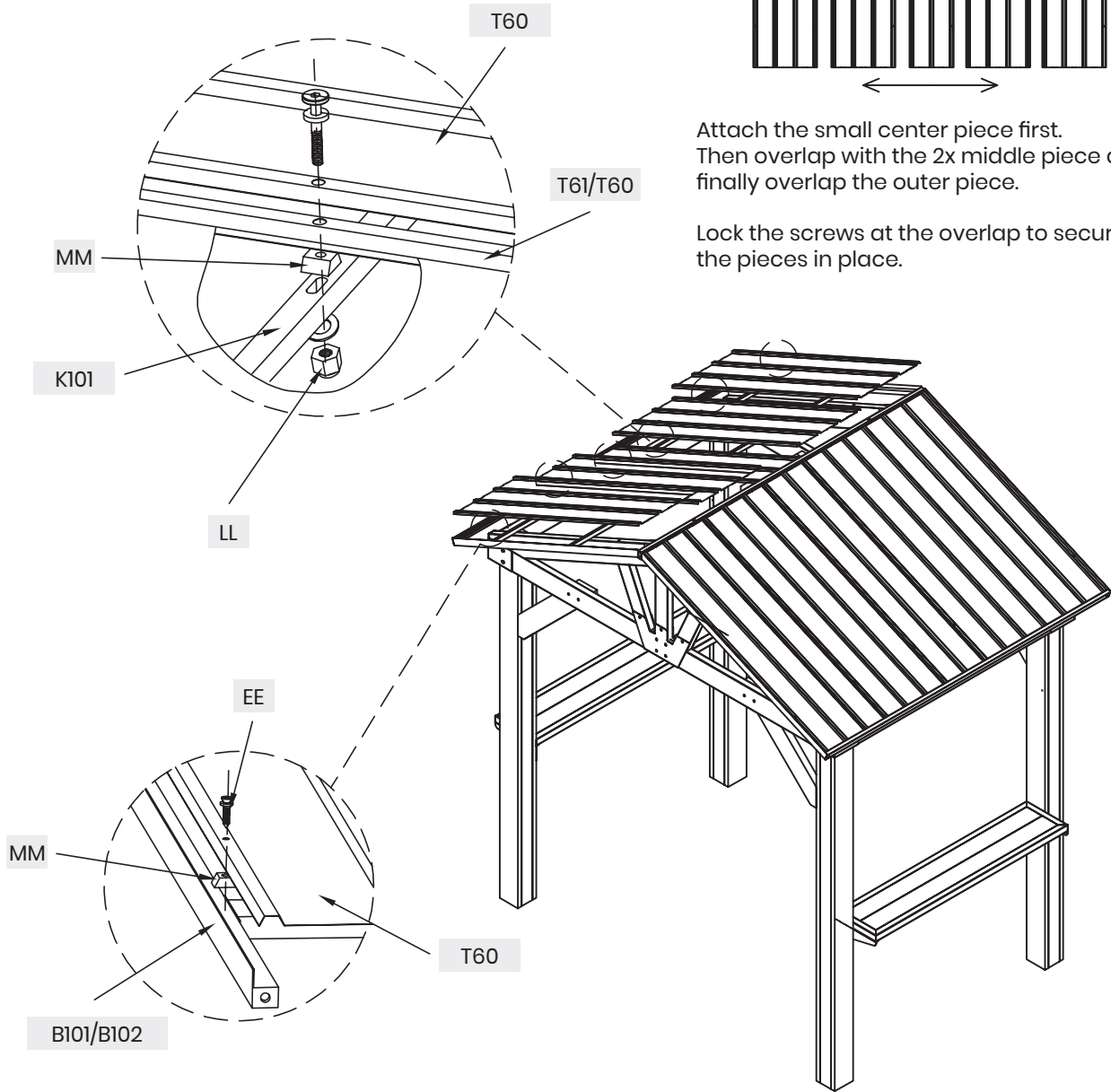
M6x45

STEP 21

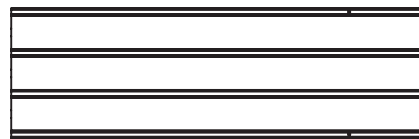


Attach the small center piece.
Then overlap with the 2x middle piece and
finally overlap the outer piece.

Lock the screws at the overlap to secure
the pieces in place.



T61 1x



T60 4x



EE 2x

M6x25



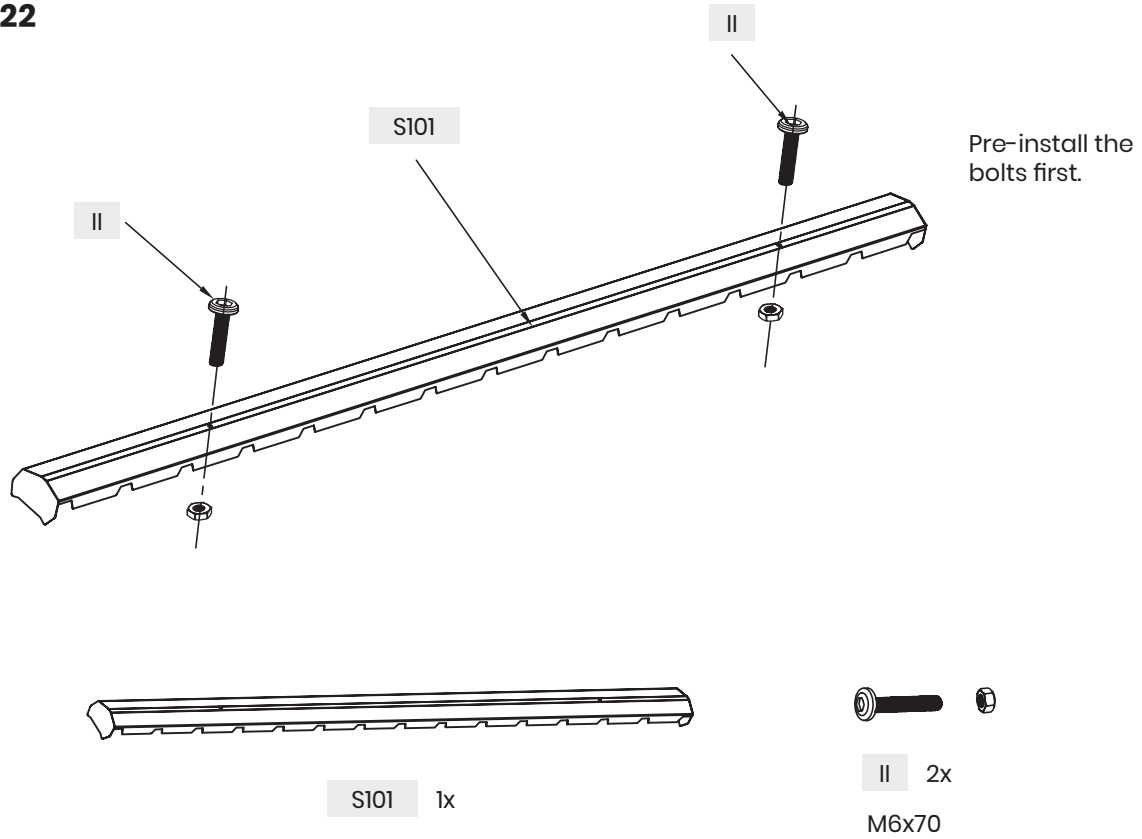
MM 6x



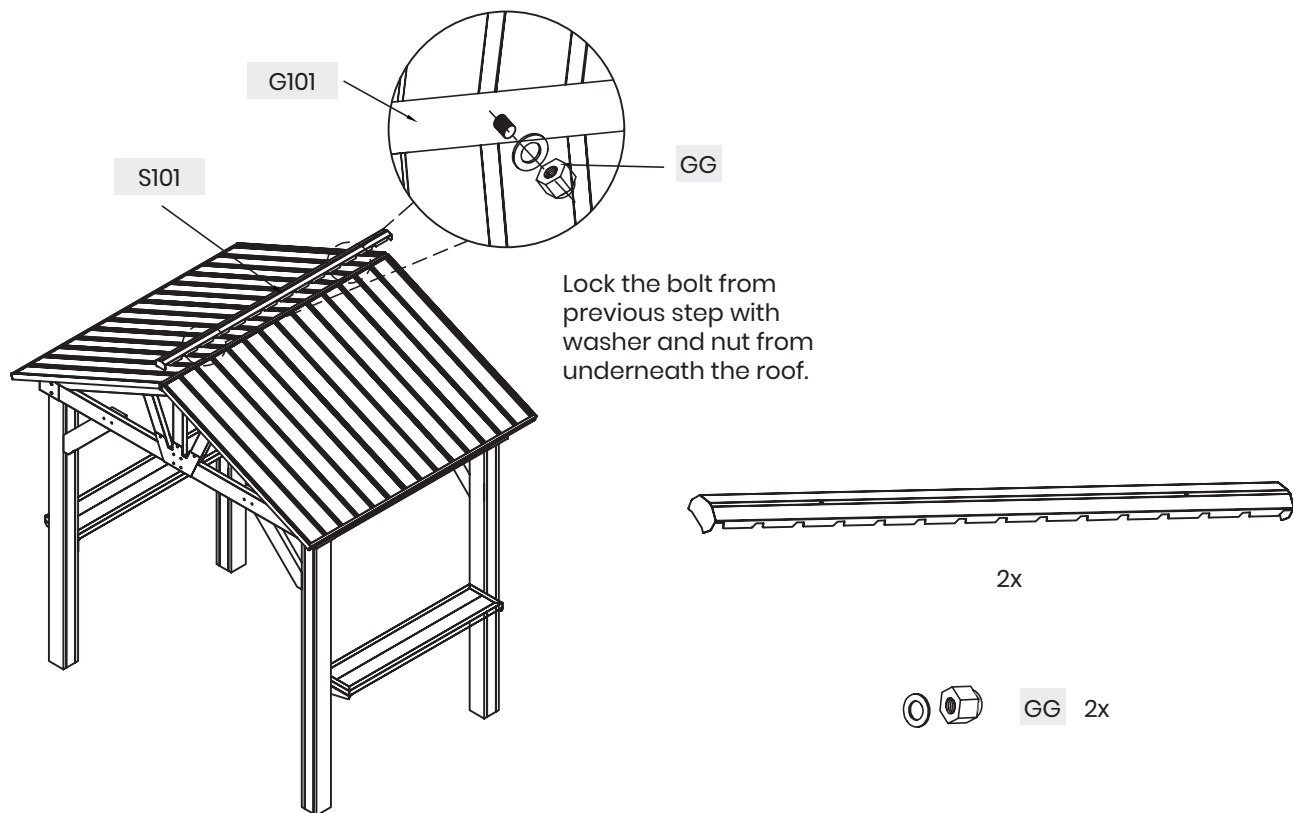
LL 4x

M6x45

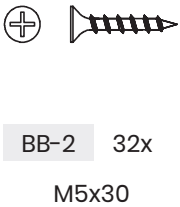
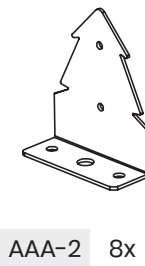
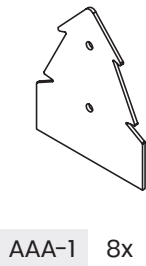
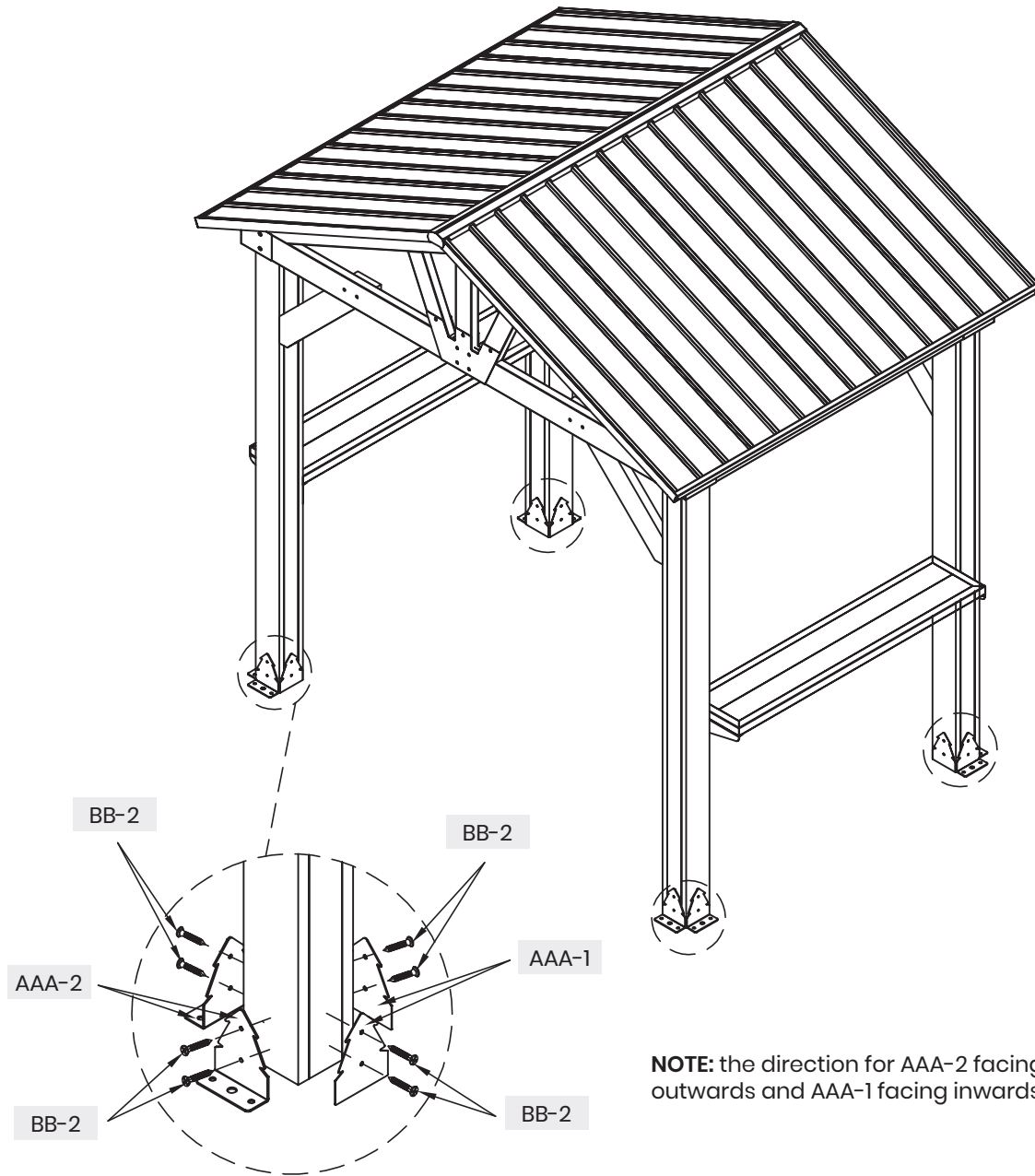
STEP 22



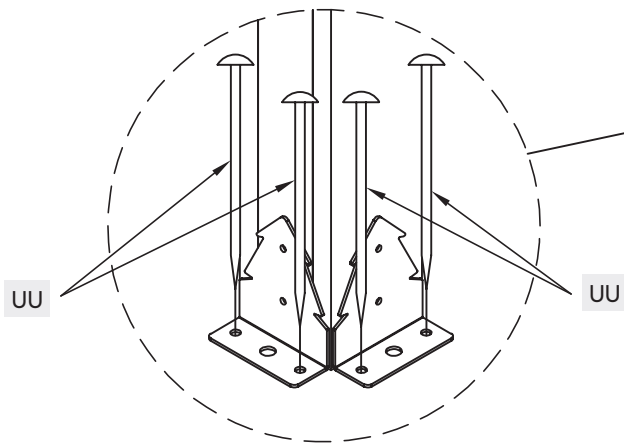
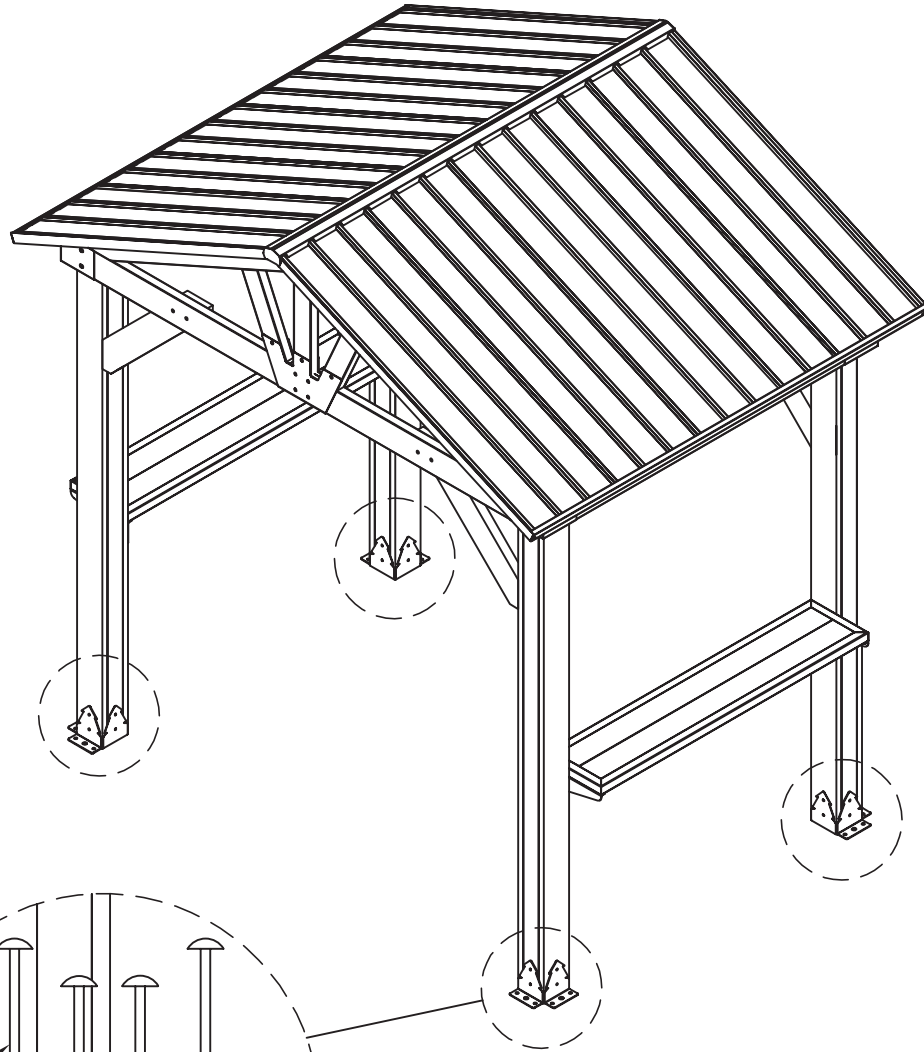
STEP 23



STEP 24



STEP 25

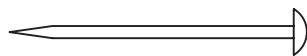


For ground stakes installation.

Anchors for Soil Installation

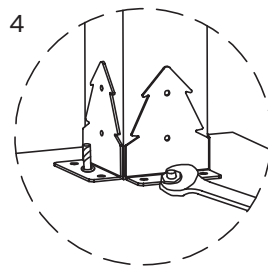
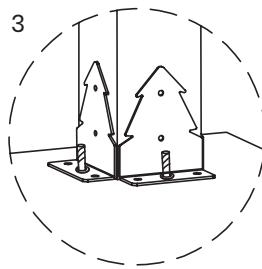
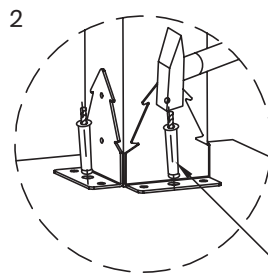
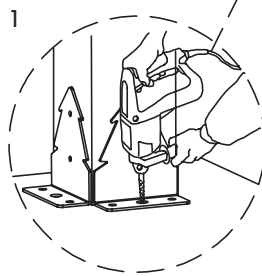
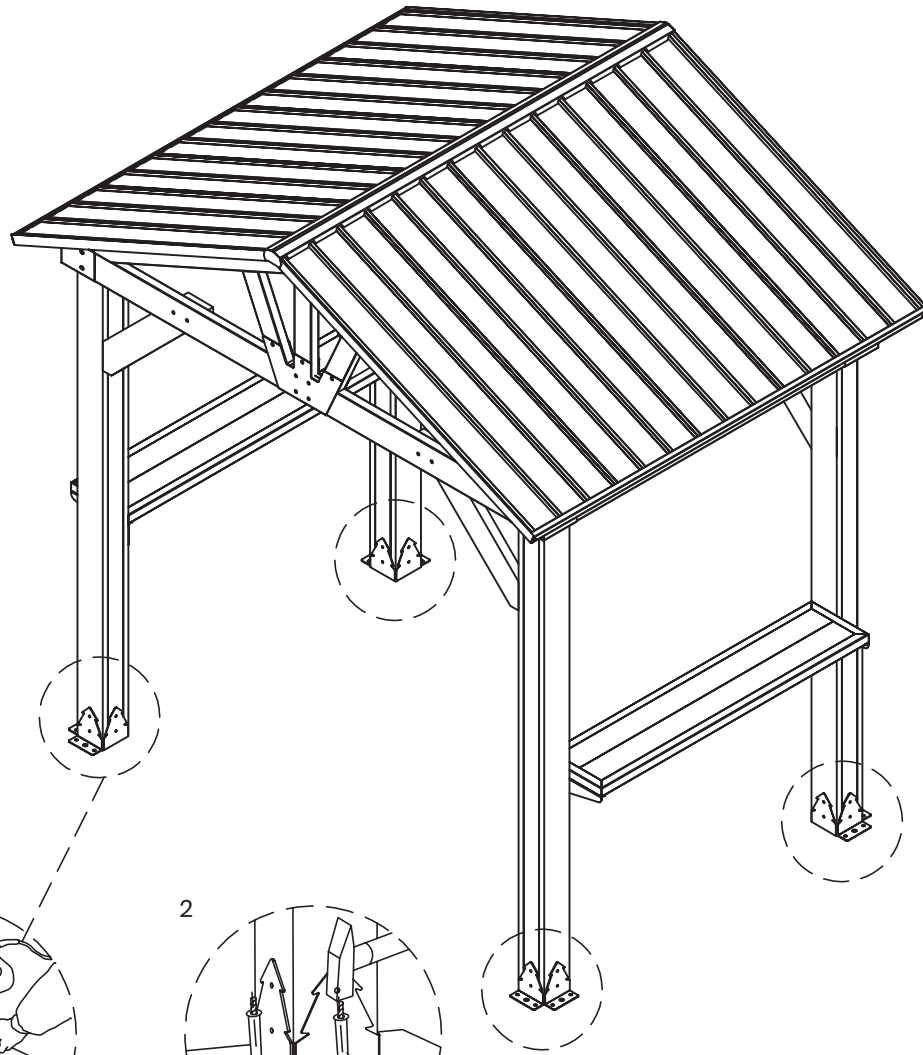
IMPORTANT: Ensure the ground does not have loose soil and rocks that may get in the way of anchoring. Clear any debris in the area. Ground **MUST** be leveled and not on a slope.

1. Measure your area to ensure you have enough room and mark your anchor points.
2. Using a hammer to drive the stakes into the soil.



UU 16x
ø6x200

STEP 26



Anchors for Concrete Installation

IMPORTANT: Ensure the concrete surface where you intend to install the wedge anchors is safe and can support the objects you plan to fasten. Clear any debris in the area.

INSTRUCTIONS:

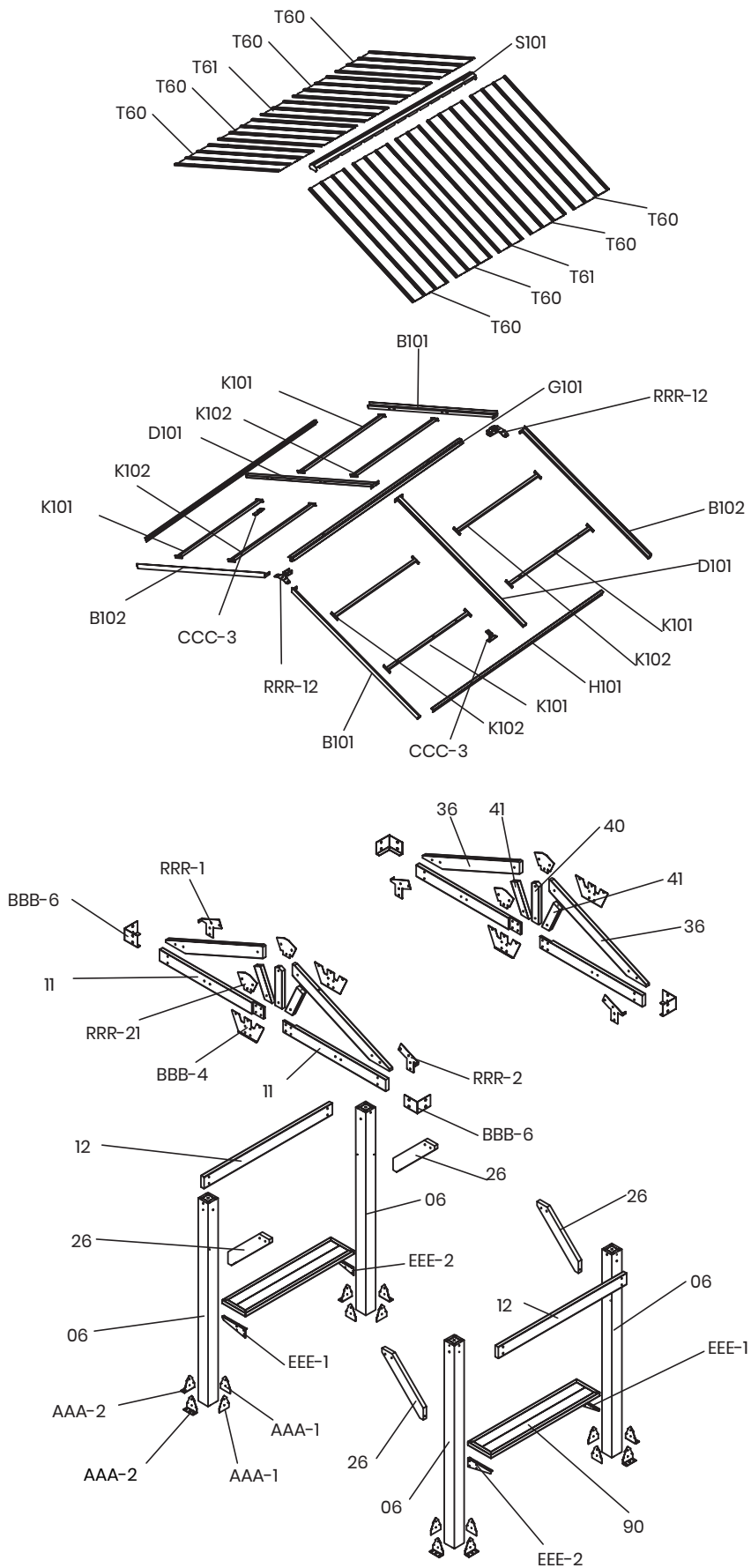
1. First mark your area then drill a hole into the concrete. The bit should be the same diameter as part QQ. Ensure the depth of the hole is about a 1/2" deeper than the length of part QQ.
2. Remove the dust and debris from the drill holes using brush or vacuum.
3. Insert anchor QQ into the holes and tap with hammer to set it firmly in the hole.
4. Tighten the nut and washer onto the exposed thread end of the anchor. Use a wrench or socket set to tighten the nut until it's snug. Be careful not to over-tighten, as this could damage the anchor or the concrete.



QQ 8x

M10x80

IV. EXPLODED DIAGRAM



V. WARRANTY

AUSTRALIAN CONSUMER LAW

Many of our products come with a guarantee or warranty from the manufacturer. In addition, they come with guarantees that cannot be excluded under the Australian Consumer Law. You are entitled to a replacement or refund for a major failure and compensation for any other reasonably foreseeable loss or damage.

You are entitled to have the goods repaired or replaced if the goods fail to be of acceptable quality and the failure does not amount to a major failure. Full details of your consumer rights may be found at www.consumerlaw.gov.au.

Please visit our website to view our full warranty terms and conditions:

www.lifespankids.com.au/Warranty-Policy-Kids

WARRANTY AND SUPPORT

Any claim against this warranty must be made through your original place of purchase. Proof of purchase is required before a warranty claim may be processed. If you have purchased this product from the Official Lifespan Kids website, please visit www.lifespankids.com.au/warranty-form

For support outside of warranty, if you wish to purchase replacement parts or request a repair or service, please visit www.lifespankids.com.au/warranty-form and fill in our Repair/Service Request Form or Parts Purchase Form.

