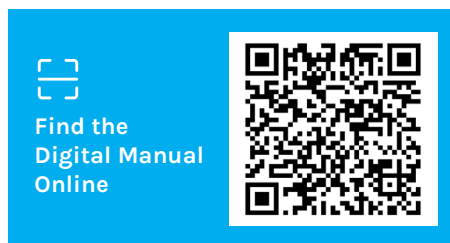
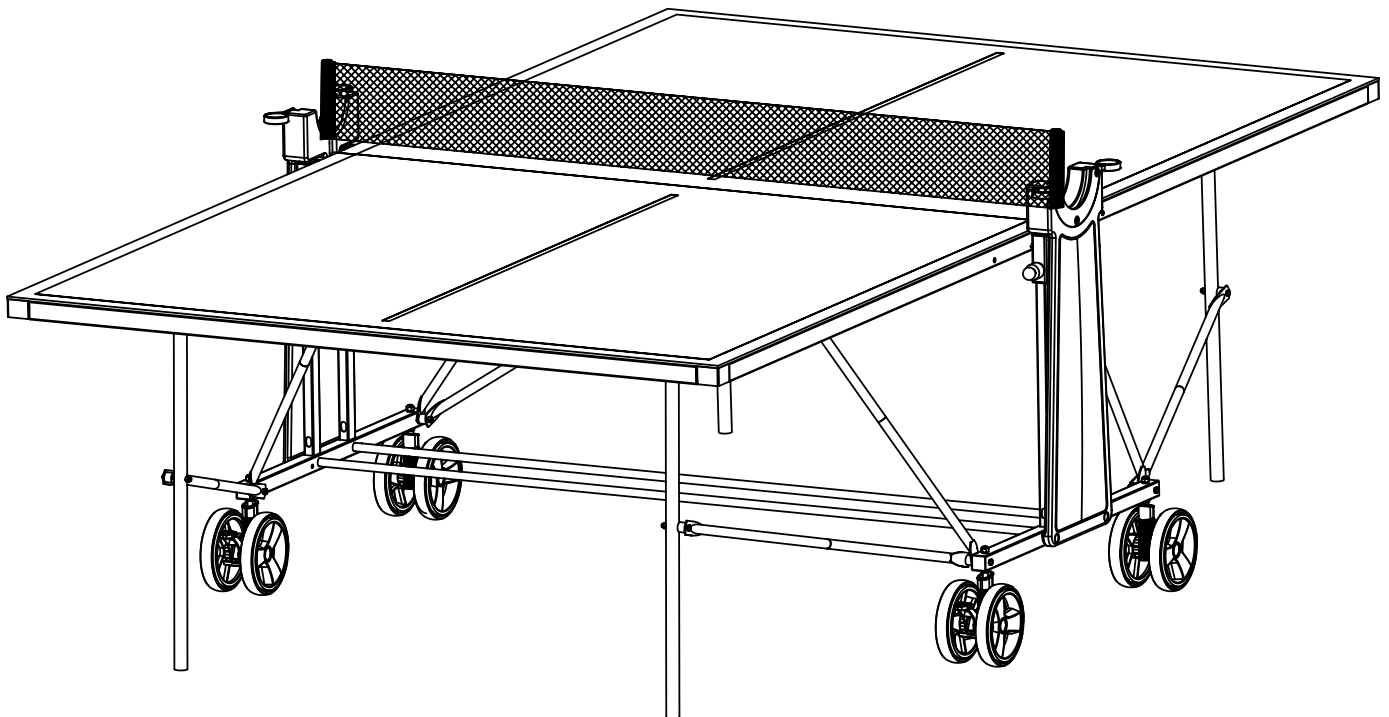


# ACTIVEGO

## AG002 ACTIVEGO LOOP QUICK FOLD TABLE TENNIS PING PONG TABLE

### USER MANUAL



Product may vary slightly from the item pictured due to model upgrades.



**Read all instructions carefully before using this product.  
Retain this owner's manual for future reference.**

**NOTE:**

This manual should not be used to guide your purchasing decision. Your product, and the contents inside its carton, may vary from what is listed in this manual. This manual may also be subject to updates or changes. Updated manuals are available through our website at [www.lifespanfitness.com.au](http://www.lifespanfitness.com.au)



# TABLE OF CONTENTS

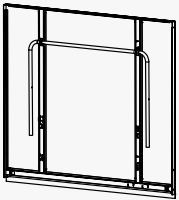
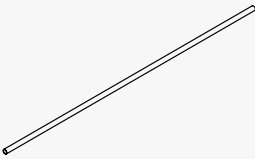
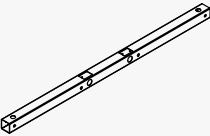
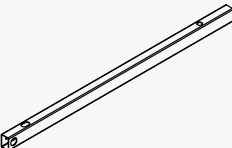
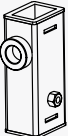
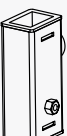
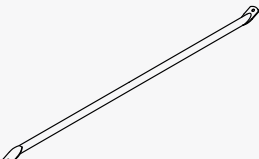
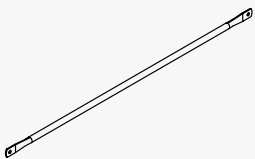

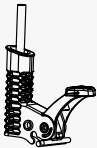
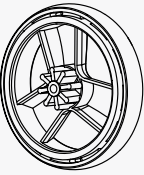





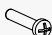


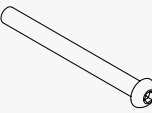

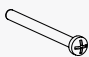







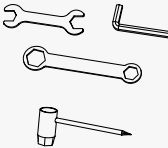
I. Care and Maintenance .....	03
II. Parts List .....	04
III. Assembly Instructions .....	05
IV. Warranty .....	13

# I. CARE AND MAINTENANCE

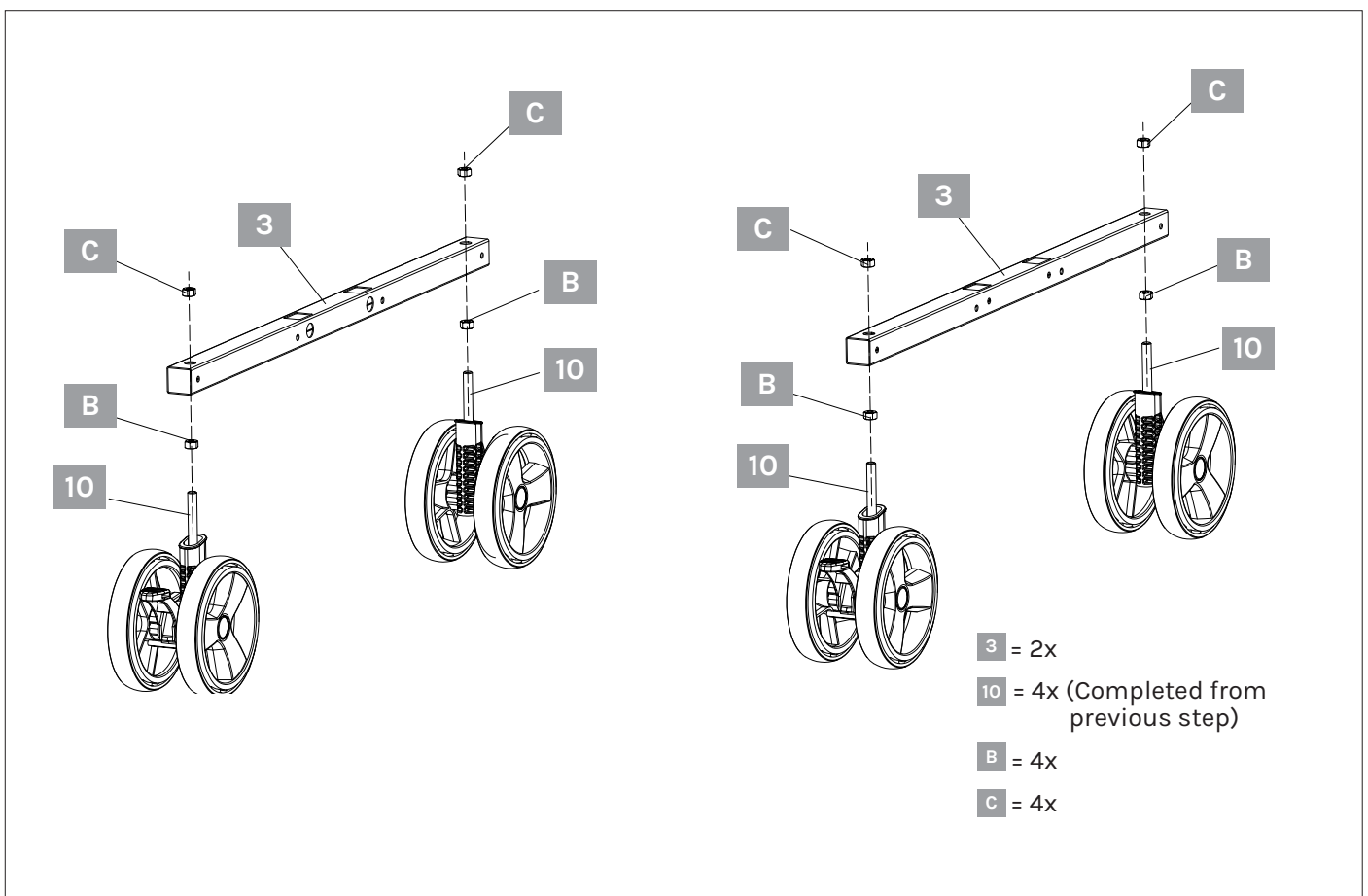
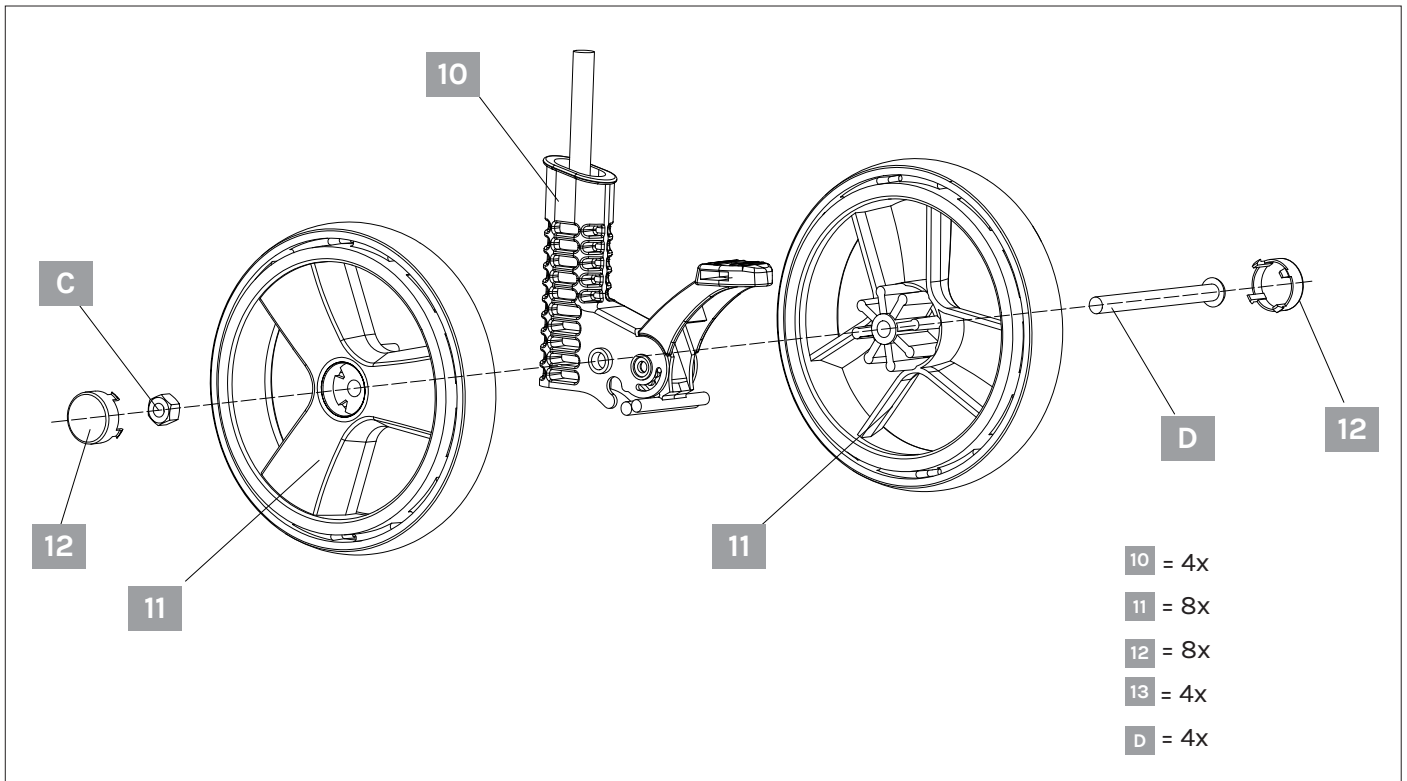
Please keep this manual with you at all times.

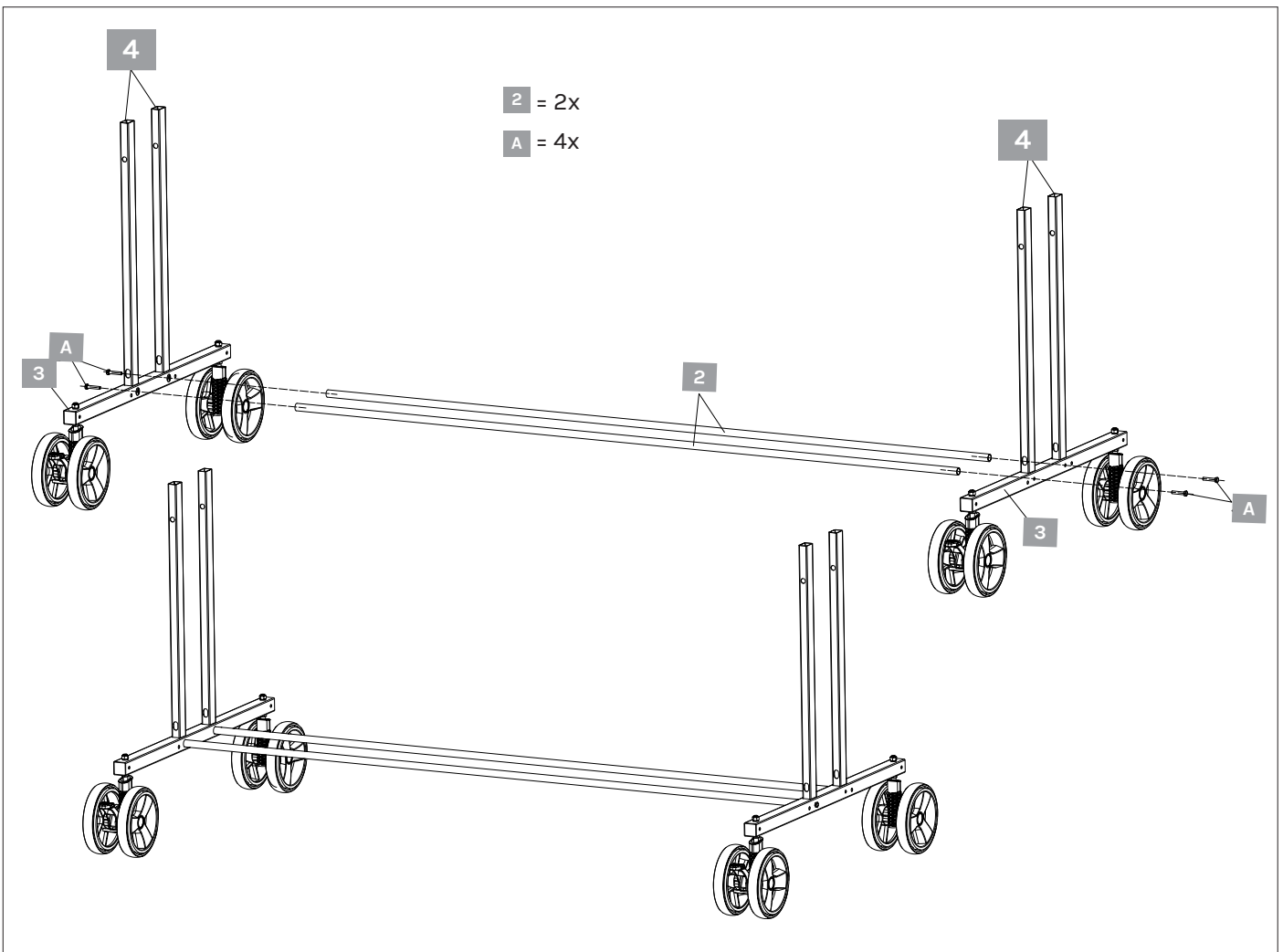
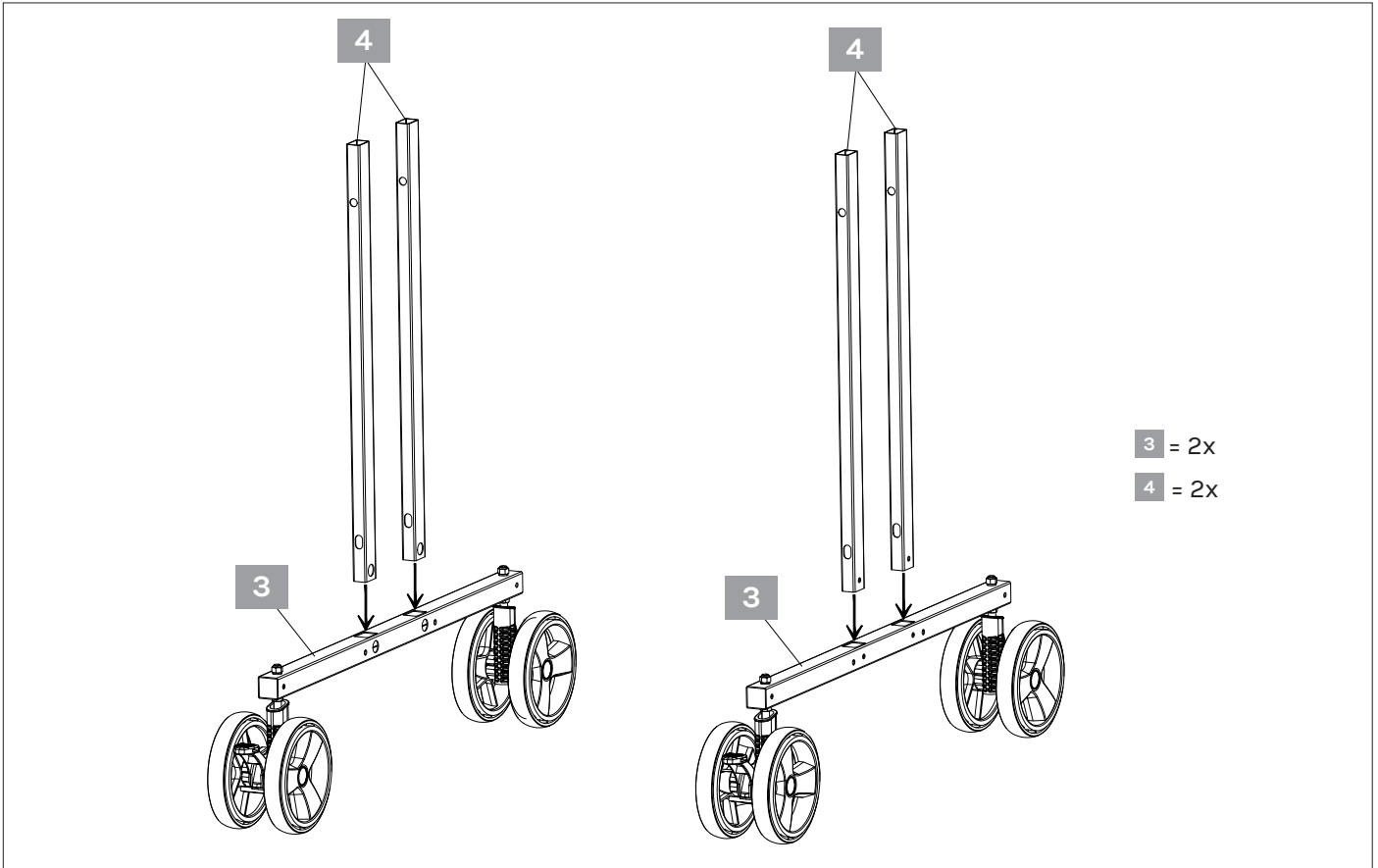
- The table is heavy, do not push or drag the table. A minimum of two persons should be used to assemble or move the table.
- Two pieces of table top have to be separated before folding or opening.
- Do not hit the table with your paddle as this can damage the surface.
- Do not place hot goods on table top.
- Do not place heavy goods on table to avoid distortion.
- Do not use table for any other exercise other than table tennis.
- Store the table indoors in a dry and well ventilated area. Avoid storing it near sunlight to avoid warping. Storing outdoors is not recommended.
- All wheels and feet can be adjusted slightly to ensure level playing surface.
- For cleaning the table, simply use a damp cloth to wipe down. Do not use any abrasive cleaners and ensure to dry off before storing away.

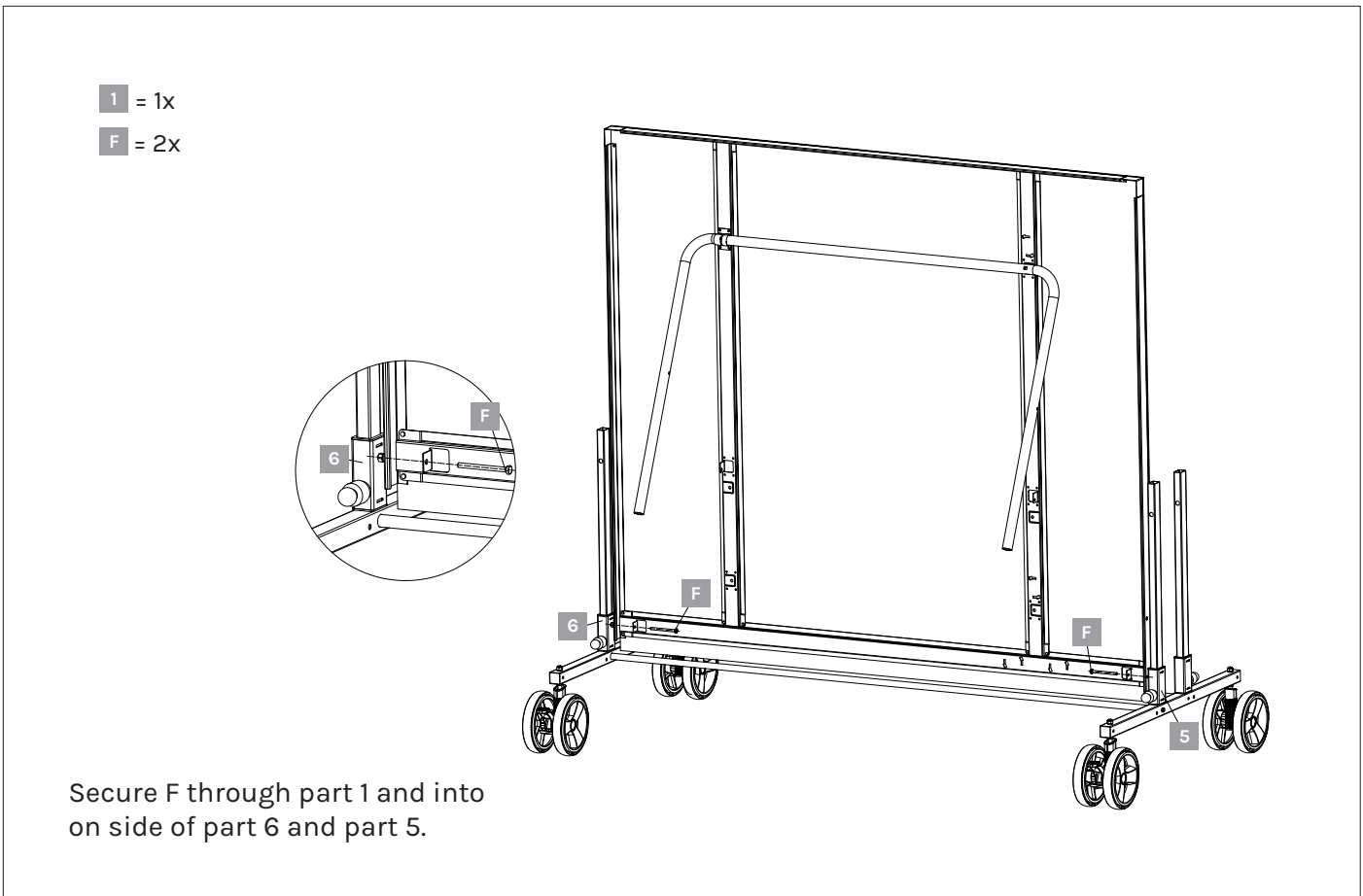
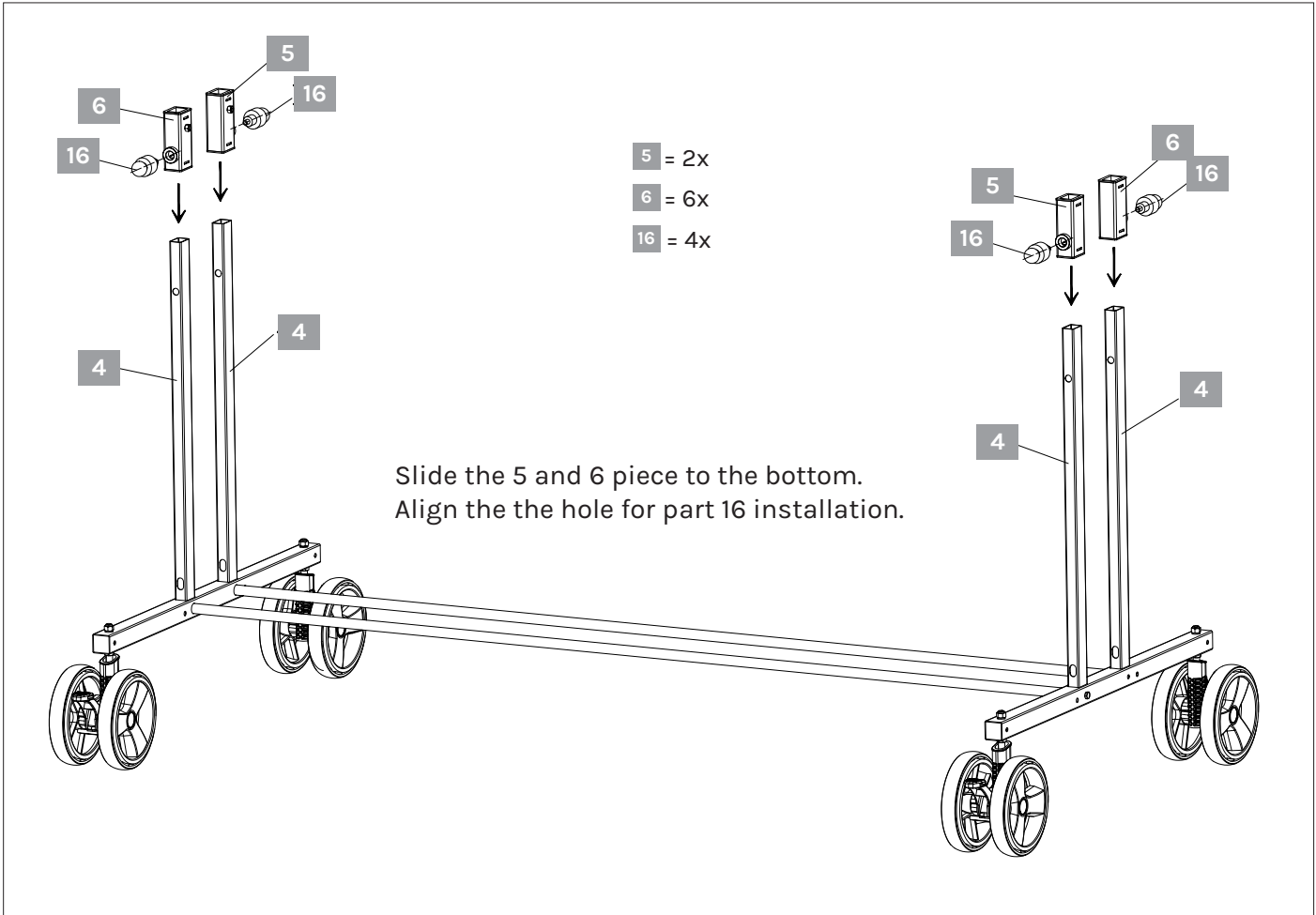
# II. PARTS LIST

1  2pcs	2  2pcs	3  2pcs	4  4pcs	5  2pcs	6  2pcs
7  4pcs	8  4pcs	9  2pcs	10  4pcs	11  8pcs	
12  8pcs	13  2pcs	14  2pcs	15  1pc	16  4pcs	
A  M6*25 4pcs	B  M8 4pcs	C  M8 8pcs	D  M8*90 4pcs	E  M6*60 4pcs	
F  M6*70 8pcs	G  M6*35 4pcs	H  4*12 6pcs	I  M6 16pcs	J  M6*16 4pcs	
K  12pcs	L  M6*50 4pcs	M  4pcs	 4pcs		

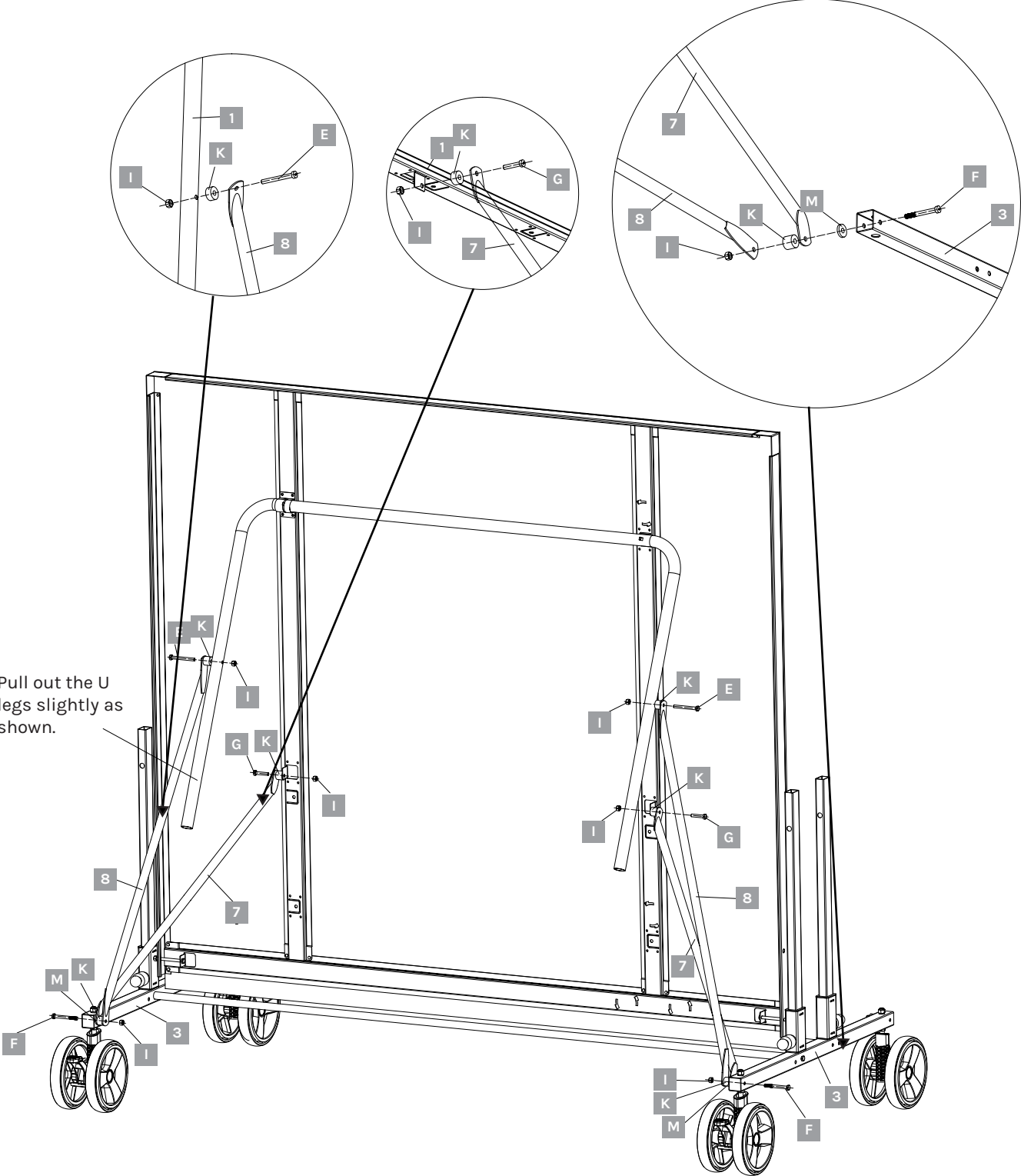
# III. ASSEMBLY INSTRUCTIONS







Before you secure tube 8 with parts E ,K and I, you must first pull out the U legs out slightly as pictured, otherwise it may become stuck when you unfold.





9 = 2x

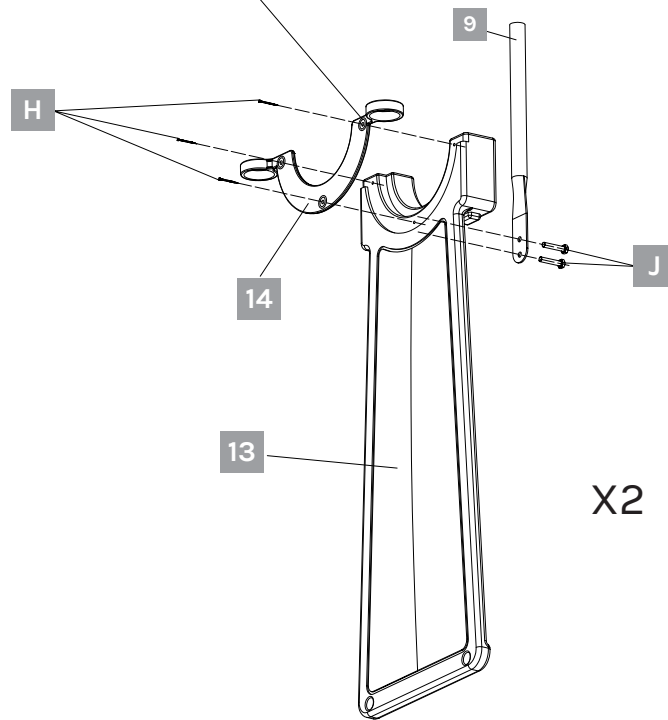
13 = 2x

14 = 2x

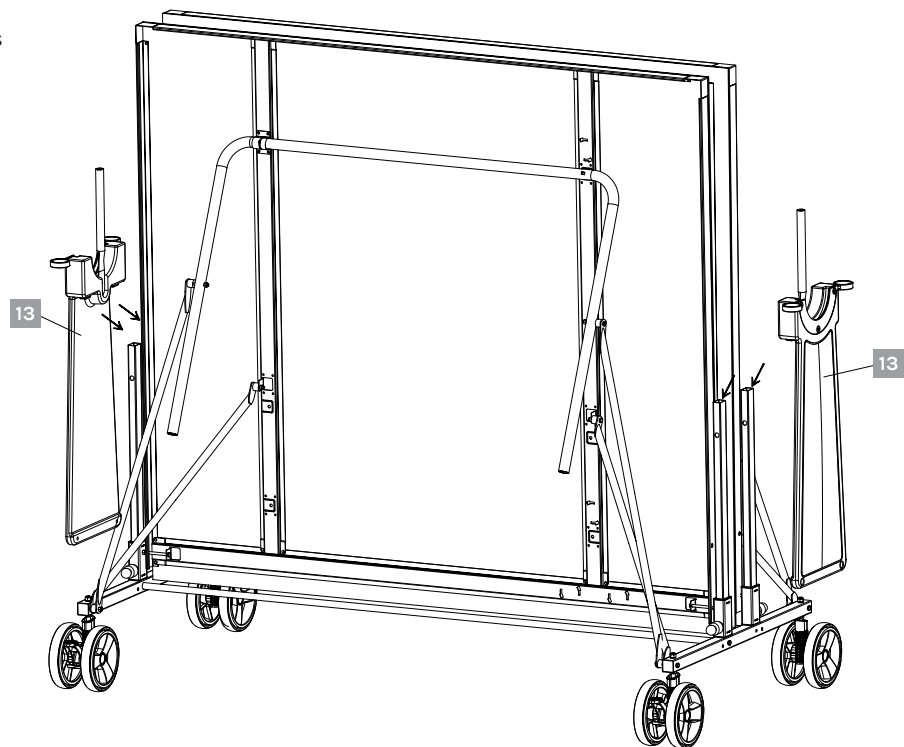
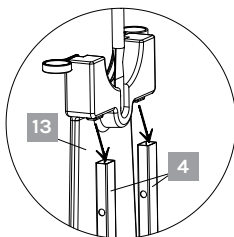
H = 6x

J = 4x

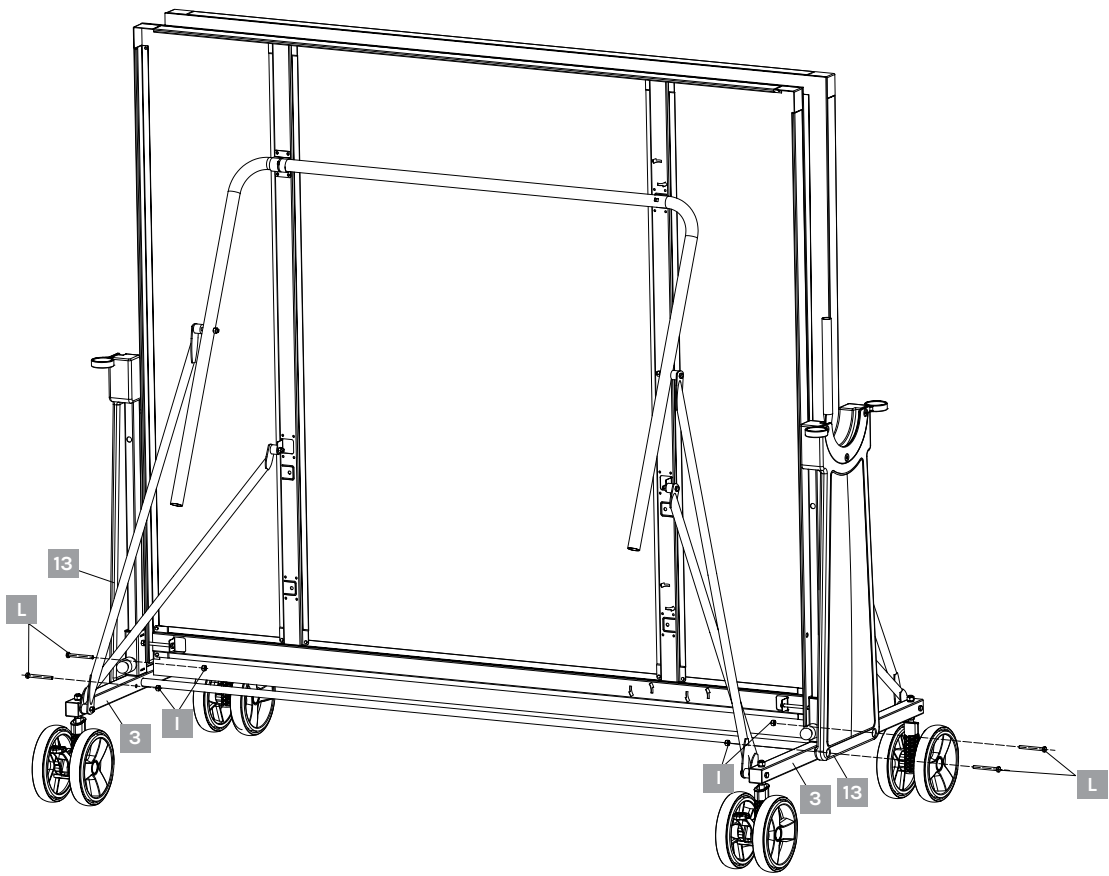
Ensure the side with  
the raised face is facing  
outwards.



Place the two assembled 13  
pieces to the table frame as  
pictured on both sides.



I = 4x  
L = 4x



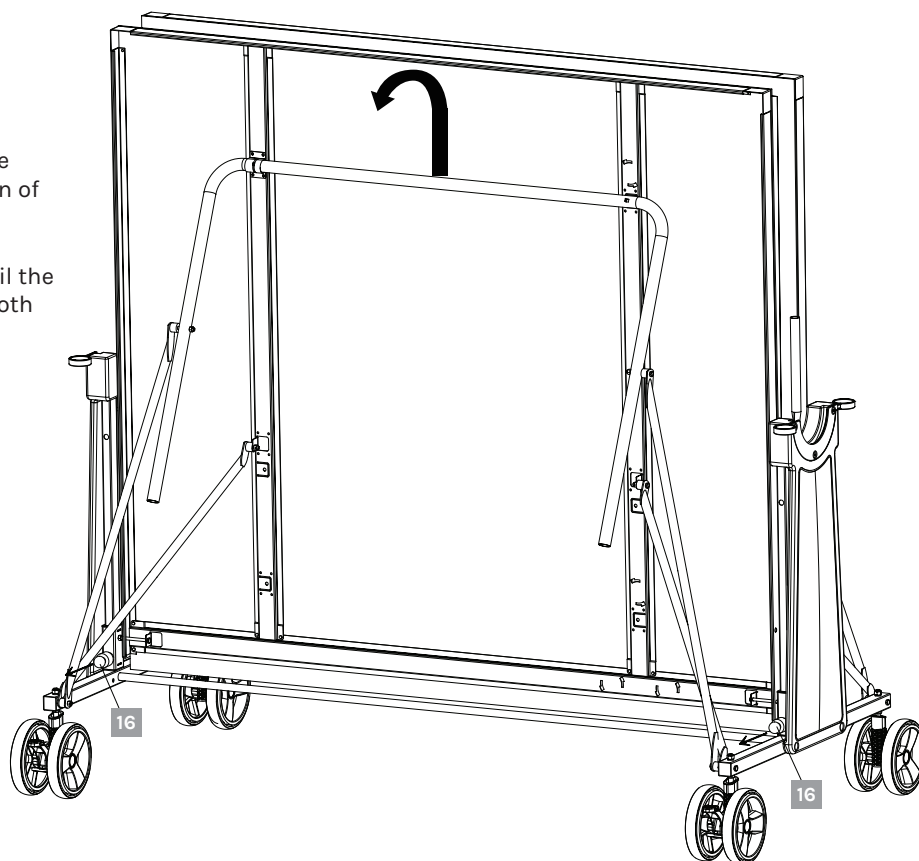
## FOLDING/UNFOLDING INSTRUCTIONS

### UNFOLDING INSTRUCTIONS

*Requires 2 person to Fold/Unfold.*

Pull the knob on both sides at the same time, according to direction of the arrow to unlock.

Then pull the table outwards until the table legs touch the ground on both sides.

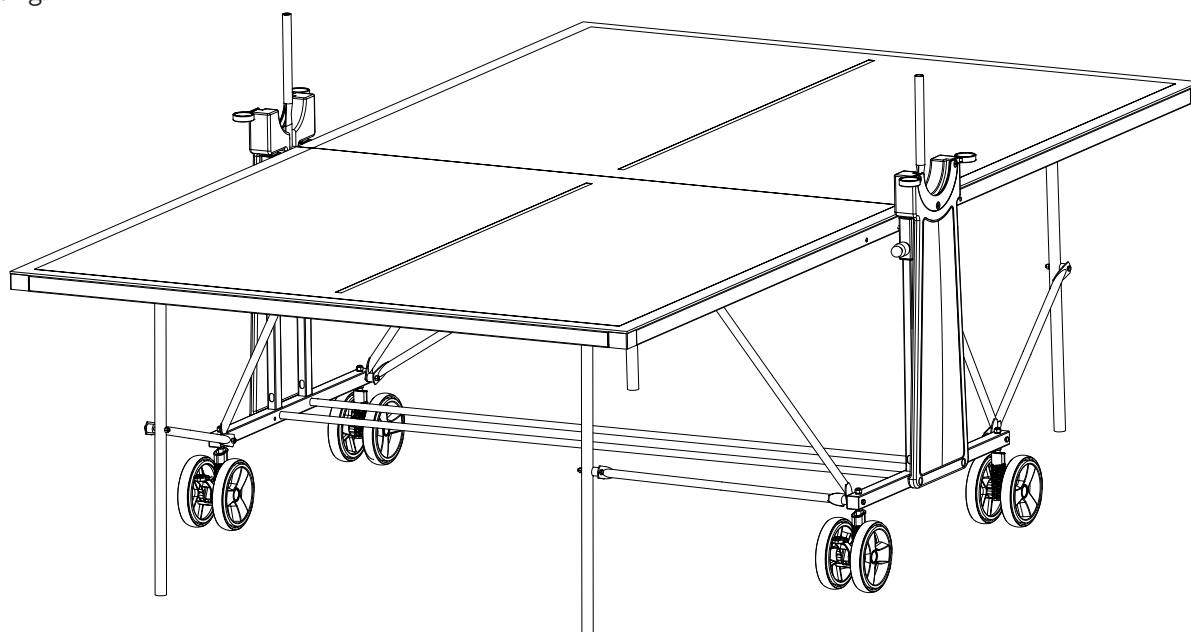


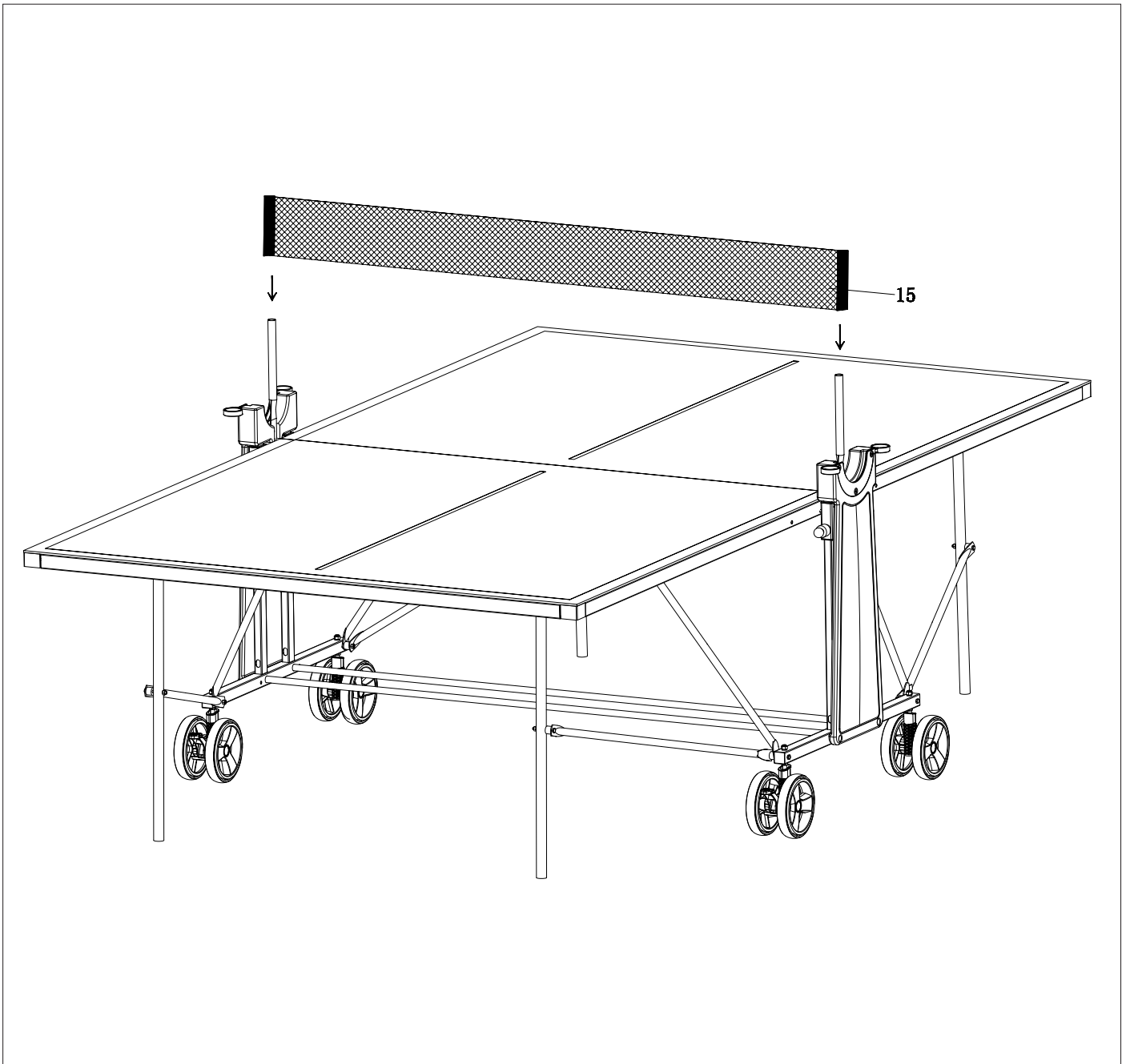
### FOLDING INSTRUCTIONS

*Requires 2 person to Fold/Unfold.*

Straighten the hinge when the table is in use. Lock the wheel tightly by pushing the tab (on the wheel) down and lift up to unlock when you are transporting.

The wheel height can be adjusted to a maximum of 15mm.  
The foot height can also be adjusted to a maximum of 15mm.





# IV. WARRANTY

## AUSTRALIAN CONSUMER LAW

Many of our products come with a guarantee or warranty from the manufacturer. In addition, they come with guarantees that cannot be excluded under the Australian Consumer Law. You are entitled to a replacement or refund for a major failure and compensation for any other reasonably foreseeable loss or damage.

You are entitled to have the goods repaired or replaced if the goods fail to be of acceptable quality and the failure does not amount to a major failure. Full details of your consumer rights may be found at [www.consumerlaw.gov.au](http://www.consumerlaw.gov.au).

Please visit our website to view our full warranty terms and conditions:  
<http://www.lifespanfitness.com.au/warranty-repairs>

## WARRANTY AND SUPPORT

Any claim against this warranty must be made through your original place of purchase. Proof of purchase is required before a warranty claim may be processed.

If you have purchased this product from the Official Lifespan Fitness website, please visit <https://lifespanfitness.com.au/warranty-form>

For support outside of warranty, if you wish to purchase replacement parts or request a repair or service, please visit <https://lifespanfitness.com.au/warranty-form> and fill in our Repair/Service Request Form or Parts Purchase Form.

Scan this QR code with your device to go to [lifespanfitness.com.au/warranty-form](https://lifespanfitness.com.au/warranty-form)







**ACTIVEGO**

[WWW.ACTIVEGO.COM.AU](http://WWW.ACTIVEGO.COM.AU)