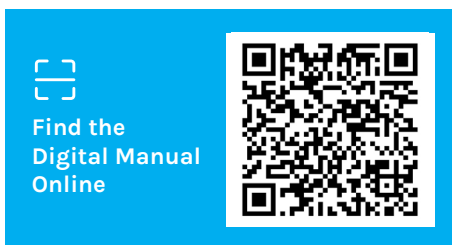
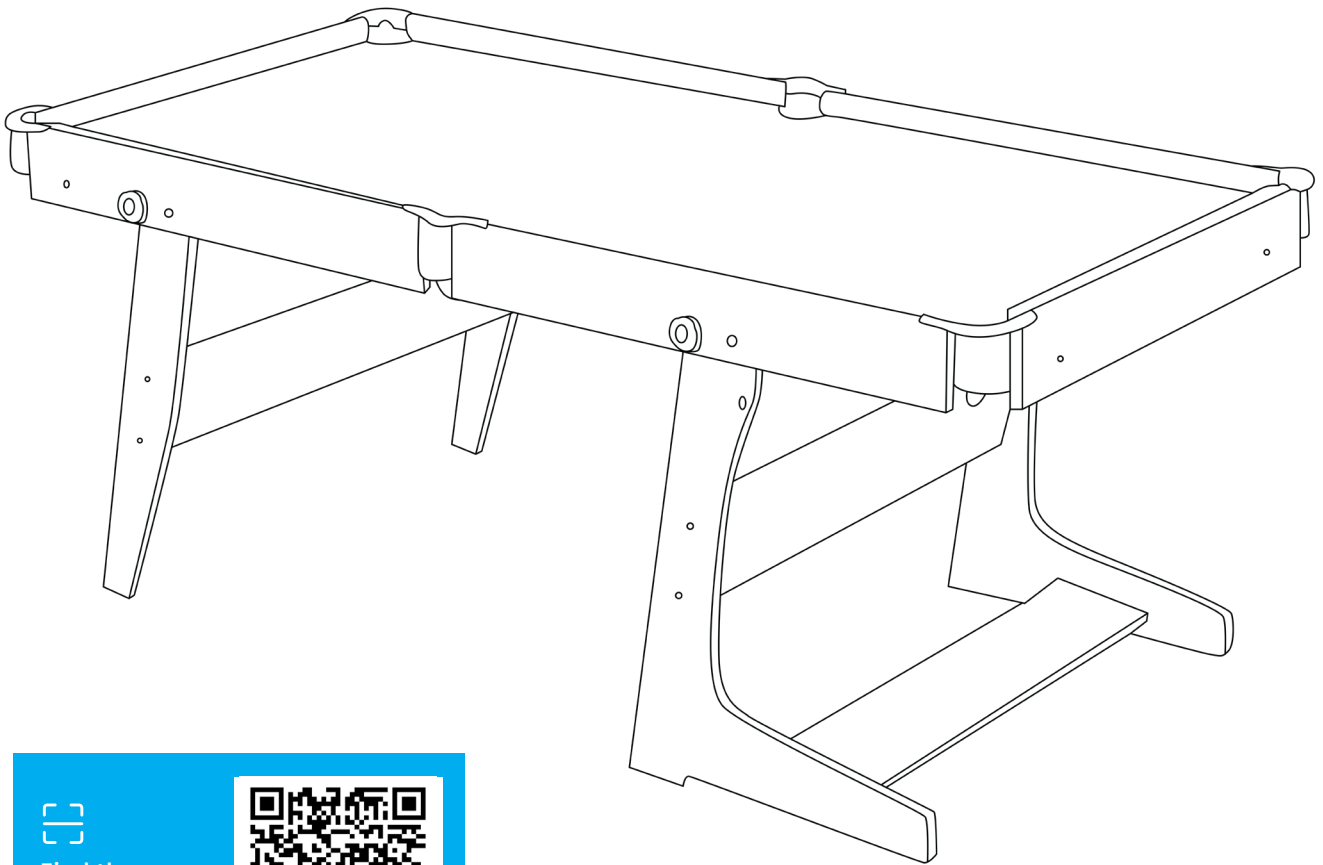


# ACTIVEGO

## AG007 ACTIVEGO BREAKSHOT FOLD UP POOL TABLE

### USER MANUAL



Product may vary slightly from the item pictured due to model upgrades.



**Read all instructions carefully before using this product.  
Retain this owner's manual for future reference.**

**NOTE:**

This manual should not be used to guide your purchasing decision. Your product, and the contents inside its carton, may vary from what is listed in this manual. This manual may also be subject to updates or changes. Updated manuals are available through our website at [www.lifespanfitness.com.au](http://www.lifespanfitness.com.au)



# TABLE OF CONTENTS

I. Care, Maintenance and Safety Information .....	03
II. Parts Identifier .....	04
III. Assembly Instructions .....	05
IV. Warranty .....	08

# I. CARE, MAINTENANCE, AND SAFETY INFORMATION

## Intended Use

This pool table is designed for indoor home use only. Exposure to outdoor elements, such as sunlight or moisture, can damage the table's surface and frame.

## Safety Instructions

1. Avoid Sitting, Climbing, or Leaning on the Table
2. The table is not designed to support the weight of people. Sitting, climbing, or leaning on it could cause damage or result in injury.
3. Follow the instructions for correctly folding and unfolding the table. Secure any latches or locks after setup or folding to prevent accidental collapse or damage.
4. Avoid placing food, drinks, or heavy objects on the playing surface, as spills and weight can damage the felt and impact game quality.

## Care and Cleaning

1. Use the supplied brush to dust off the felt playing surface. Avoid using any cleaning agents directly on the felt, as this can degrade the material.
2. Do not use a wet rag on the felt.
3. Do not use abrasive cleaning solutions.

## Storage

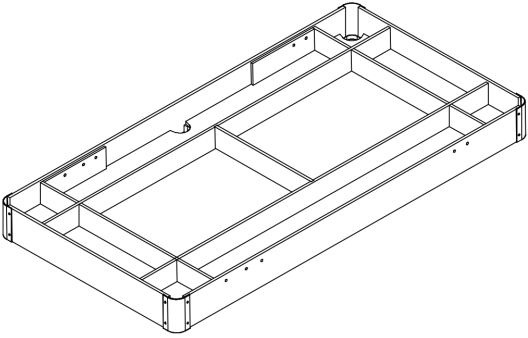
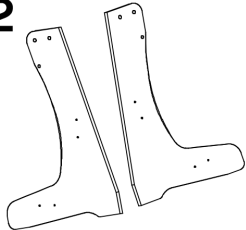
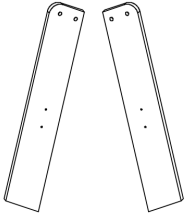

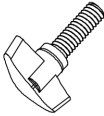

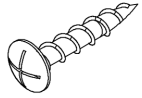
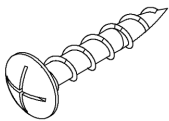
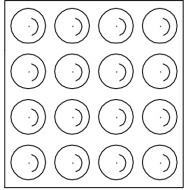
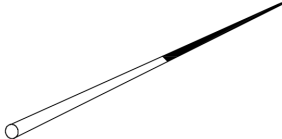
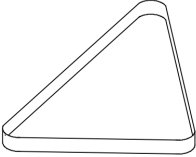
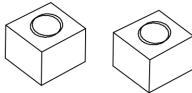
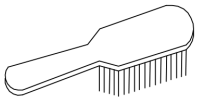
1. When the table is not in use, fold it carefully and store it in a dry, indoor location, away from direct sunlight or sources of moisture.
2. When relocating the table, please lift it gently rather than dragging it. Dragging can damage the legs and stability of the table. Use additional assistance if necessary for safe lifting and movement.

## Regular Maintenance

Check for Loose Bolts and Screws.

Periodically check that all screws, bolts, and hinges are tightly secured. If any components become loose, tighten them promptly to maintain stability.

# II. PARTS LIST IDENTIFIER

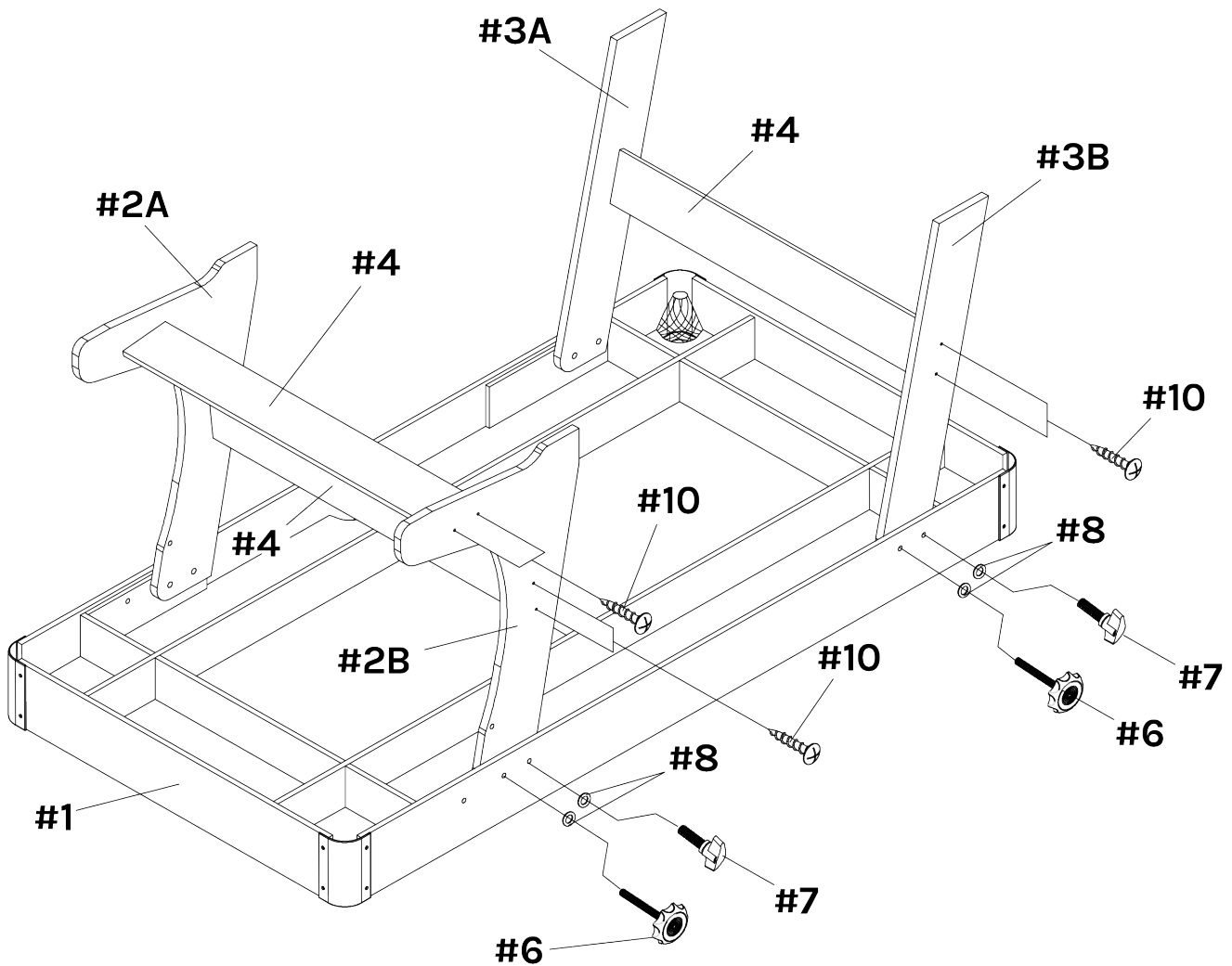
<p><b>#1</b></p>  <p>Main Frame 1 pc</p>	<p><b>#2</b></p>  <p>Leg A/B 2 pcs</p>	<p><b>#3</b></p>  <p>Leg A/B 2 pcs</p>	
<p><b>#6</b></p>  <p>5/16"X1-3/4" Bolt 4 pcs</p>	<p><b>#7</b></p>  <p>5/16"X1-3/4" Bolt 4 pcs</p>	<p><b>#8</b></p>  <p>5/16" Washer 8 pcs</p>	<p><b>#9</b></p>  <p>T3.5x12mm Screw 8 pcs</p>
<p><b>#10</b></p>  <p>T3.5x44mm Screw 12 pcs</p>	<p><b>#11</b></p>  <p>Billiard Ball 1 set</p>	<p><b>#12</b></p>  <p>Cue Stick 2 pcs</p>	<p><b>#13</b></p>  <p>Triangle 1 pc</p>
<p><b>#14</b></p>  <p>Chalks 2 pcs</p>	<p><b>#15</b></p>  <p>Brush 1 pc</p>		

# III. ASSEMBLY INSTRUCTIONS

## STEP 1

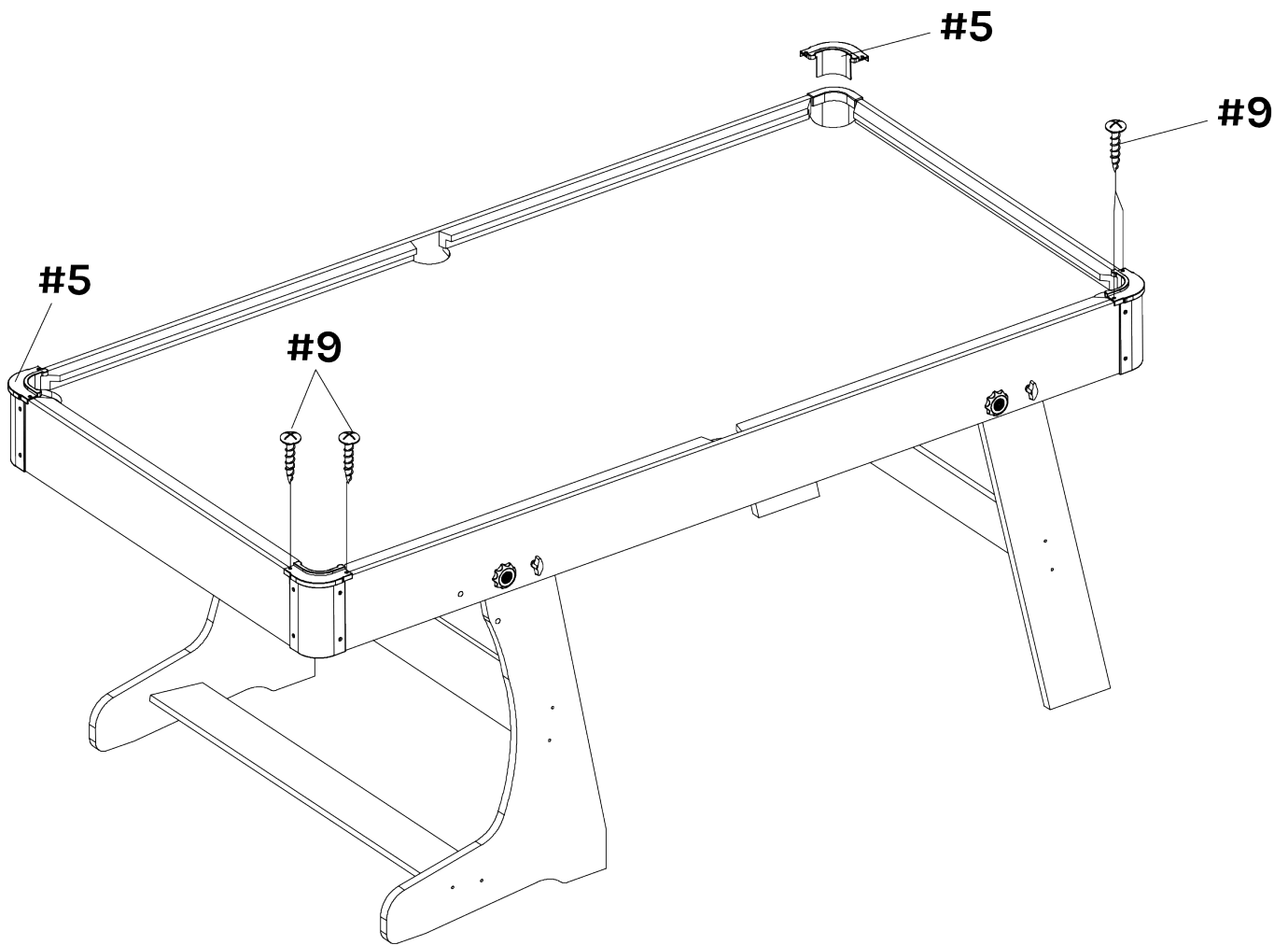
Make sure you understand the following before you begin to assemble your games table.

1. With the main frame facing upside down, attach the legs 2A/B and 3A/B to the main frame using 2x washers 5/16" (#8), 1x bolt (#6) and 1x bolt (#7) on each leg.
2. Install the leg panel (#4) to legs 3A/3B using 4x screws T3.5x44mm (#10).
3. Install the leg panel (#4) to legs 2A/2B using 8x screws T3.5x44mm (#10), as pictured. Note that one is attached on the short end and the other attaches on the longer side of the L shaped legs.



## STEP 2

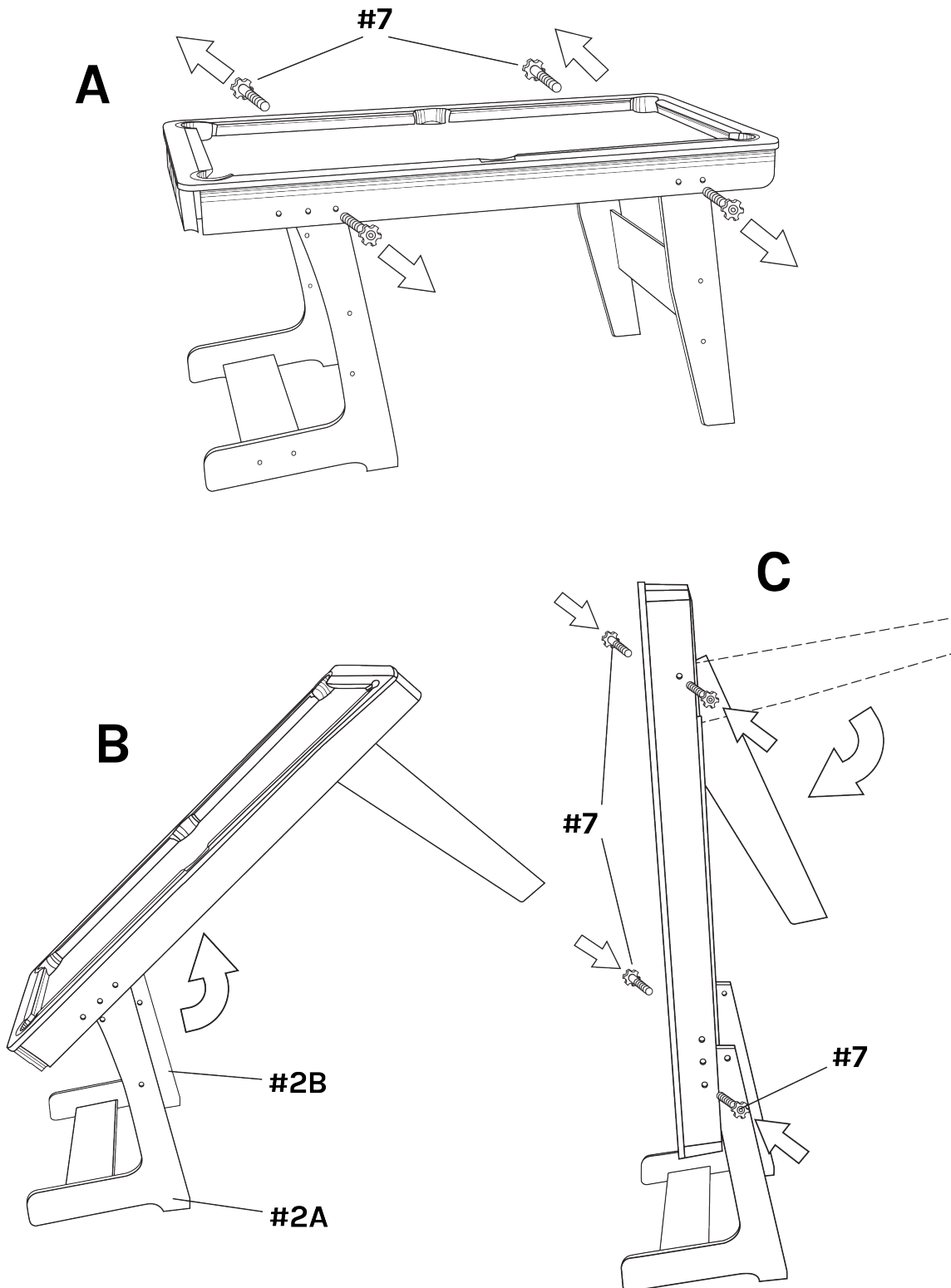
1. With assistance, flip the main frame over onto the legs.
2. Secure the top corners (5) on each corner of the table using 2x screws T3.5x12mm (9) for each corner piece.
3. You can now use the table.



### STEP 3

After removing all the #7 screws from the table legs, fold the legs. After folding, simply reattach the #7 screws on parts #2A and #2B.

Unfolding is the same steps in reverse.



# VI. WARRANTY

## AUSTRALIAN CONSUMER LAW

Many of our products come with a guarantee or warranty from the manufacturer. In addition, they come with guarantees that cannot be excluded under the Australian Consumer Law. You are entitled to a replacement or refund for a major failure and compensation for any other reasonably foreseeable loss or damage.

You are entitled to have the goods repaired or replaced if the goods fail to be of acceptable quality and the failure does not amount to a major failure. Full details of your consumer rights may be found at [www.consumerlaw.gov.au](http://www.consumerlaw.gov.au).

Please visit our website to view our full warranty terms and conditions:  
<http://www.lifespanfitness.com.au/warranty-repairs>

## WARRANTY AND SUPPORT

Any claim against this warranty must be made through your original place of purchase. Proof of purchase is required before a warranty claim may be processed.

If you have purchased this product from the Official Lifespan Fitness website, please visit <https://lifespanfitness.com.au/warranty-form>

For support outside of warranty, if you wish to purchase replacement parts or request a repair or service, please visit <https://lifespanfitness.com.au/warranty-form> and fill in our Repair/Service Request Form or Parts Purchase Form.

Scan this QR code with your device to go to [lifespanfitness.com.au/warranty-form](https://lifespanfitness.com.au/warranty-form)











**ACTIVEGO**

[WWW.ACTIVEGO.COM.AU](http://WWW.ACTIVEGO.COM.AU)