
















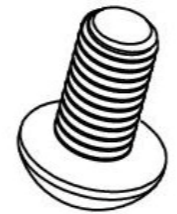
REEBOKFITNESSEQUIPMENT.COM/PRODUCTSUPPORT

Reebok
JET SERIES

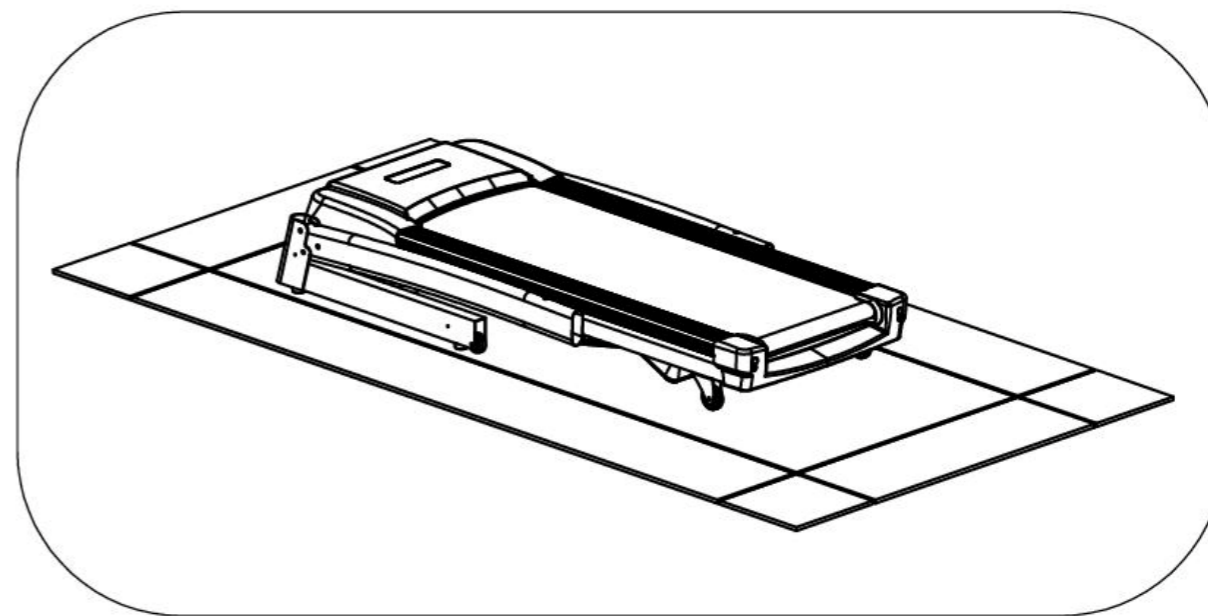
JET 200
ASSEMBLY MANUAL

Reebok
JET SERIES

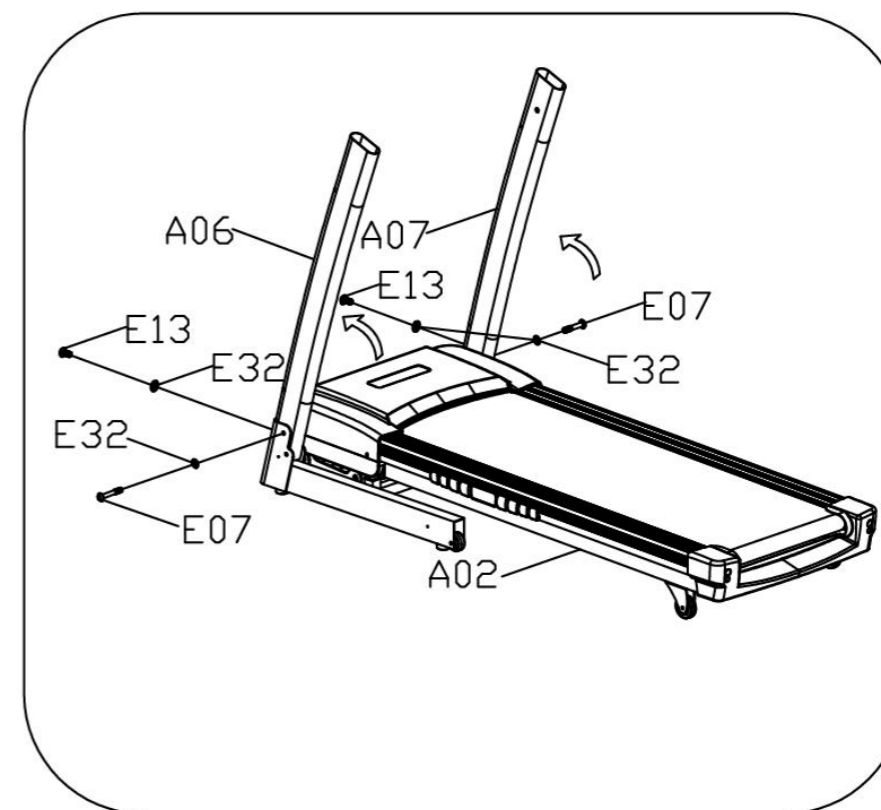
ASSEMBLY INSTRUCTIONS

 C03	 E07	
 C01	 D07	 E32
 B05	 C16	 E26
 B04	 C15	 E20
 A02	 C04	 E13

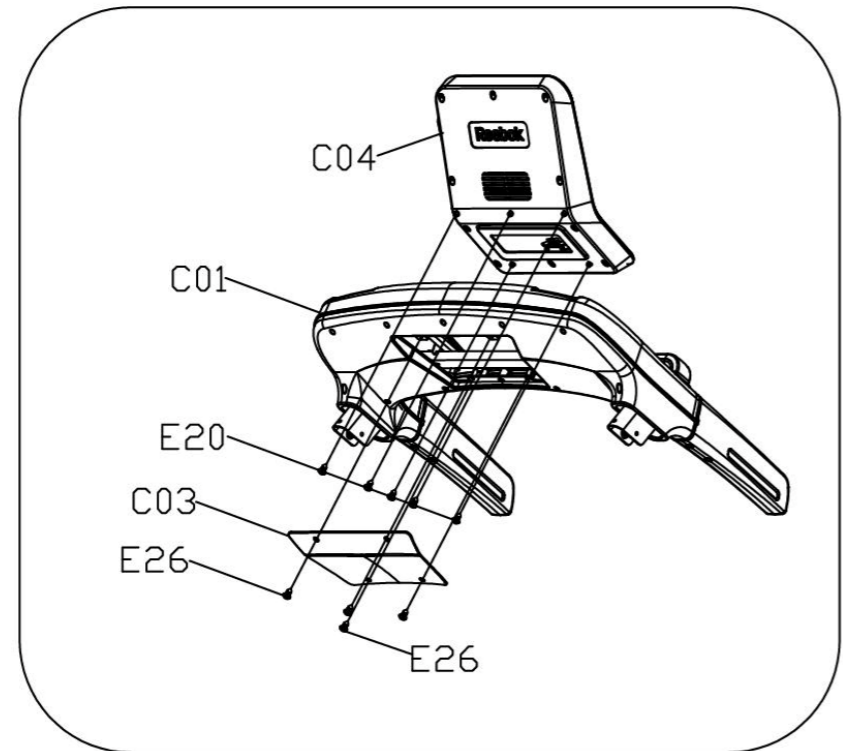
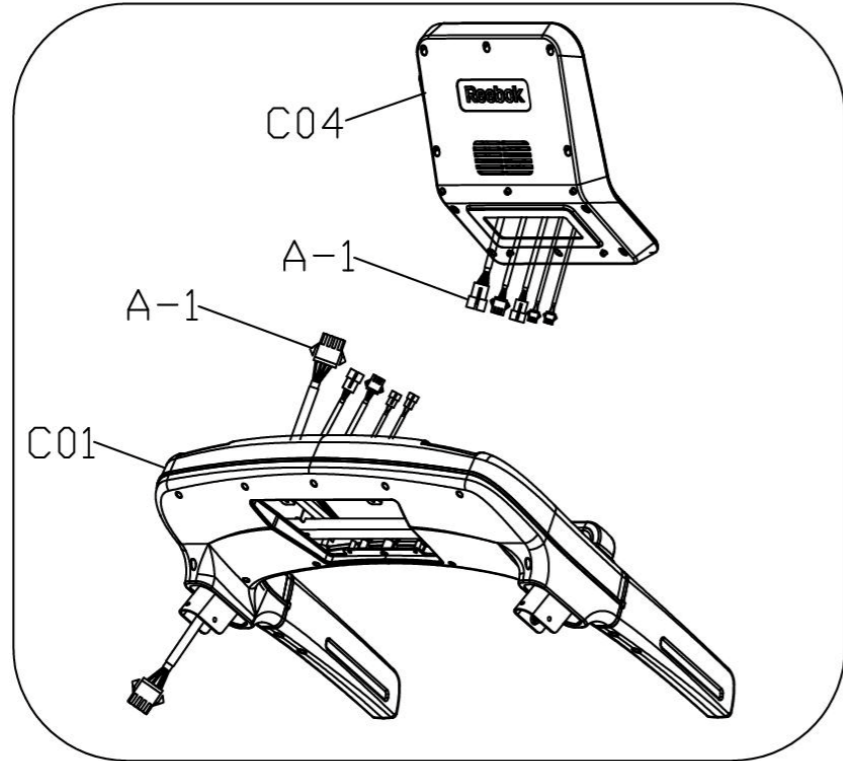
1



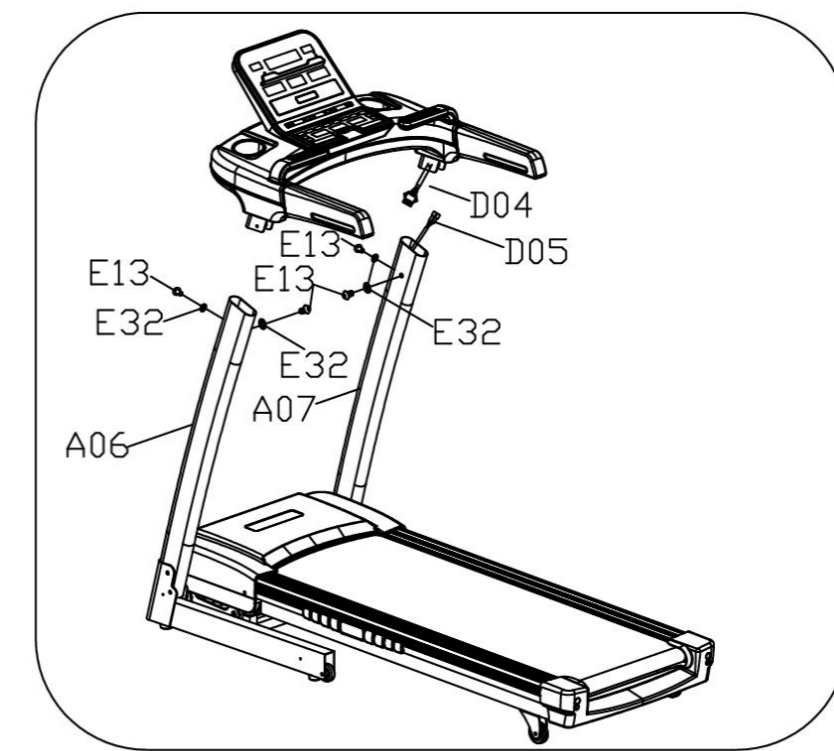
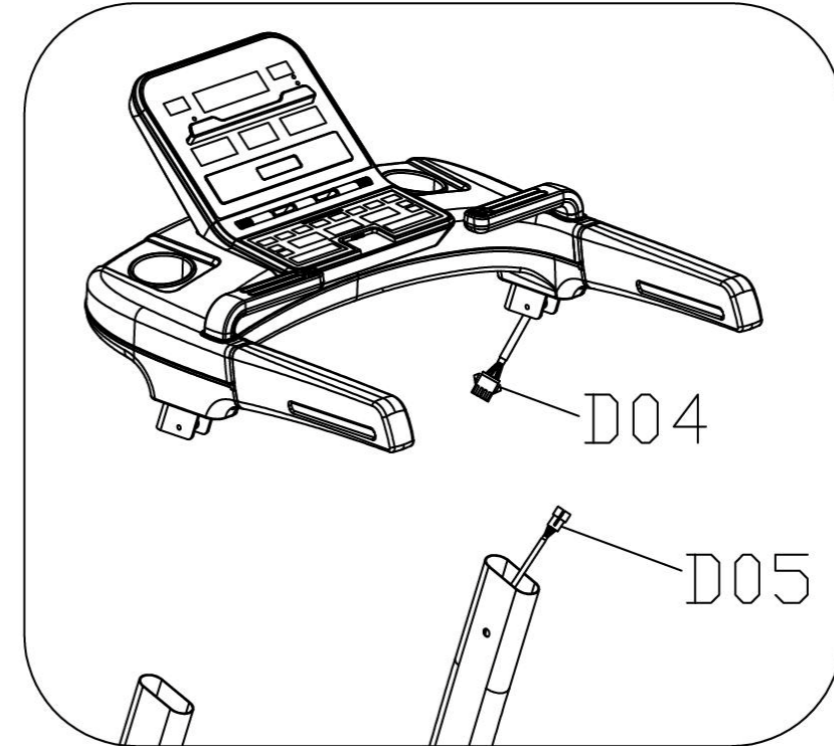
2



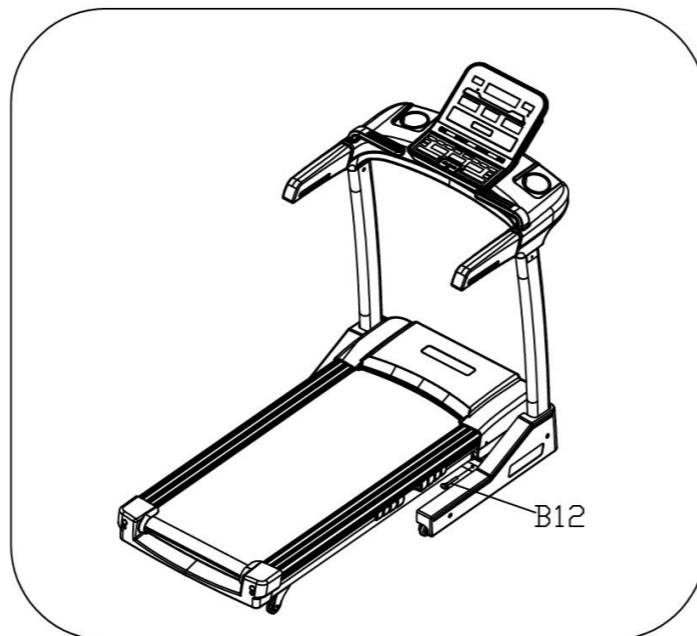
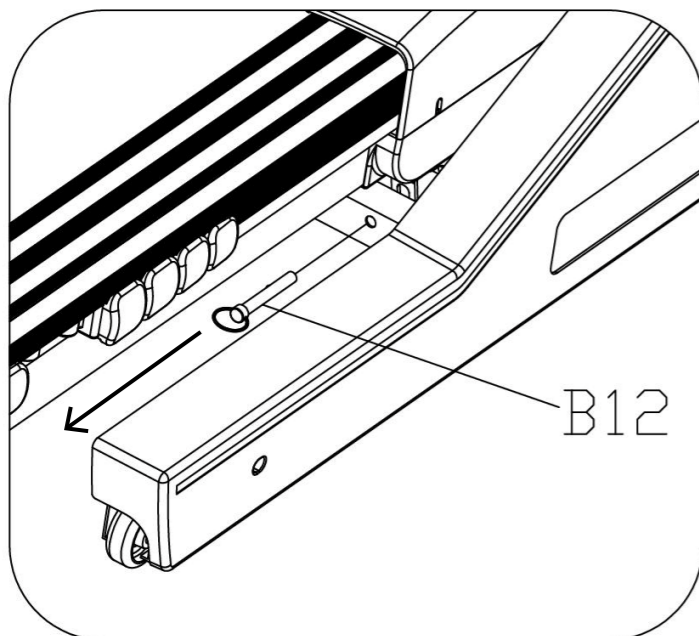
3



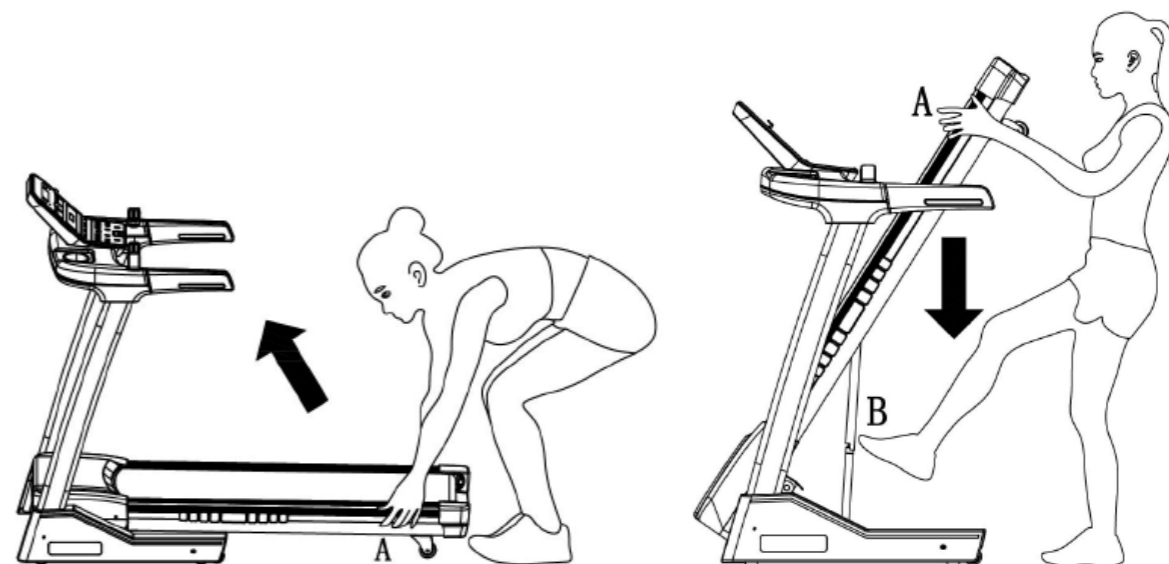
4



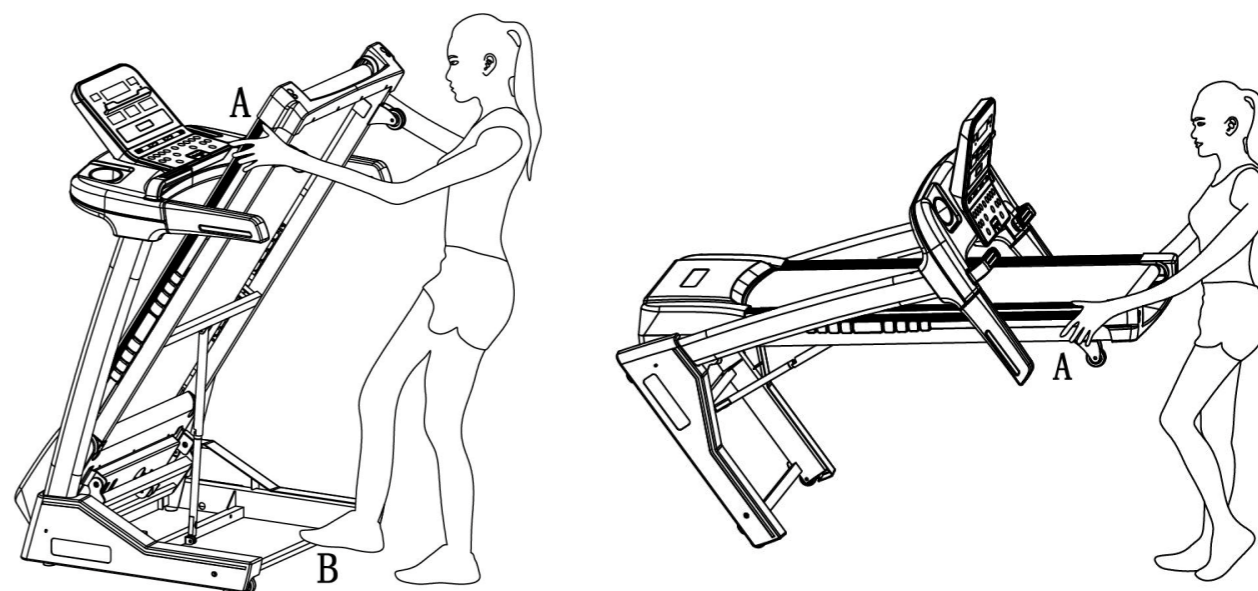
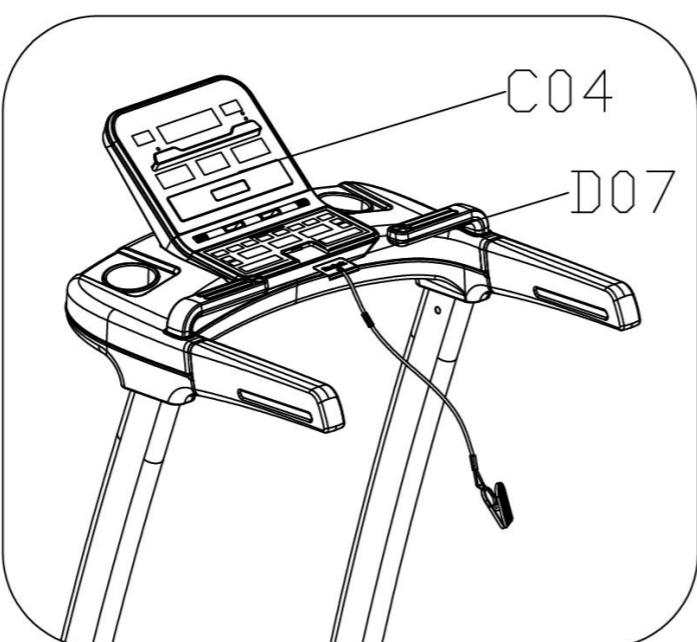
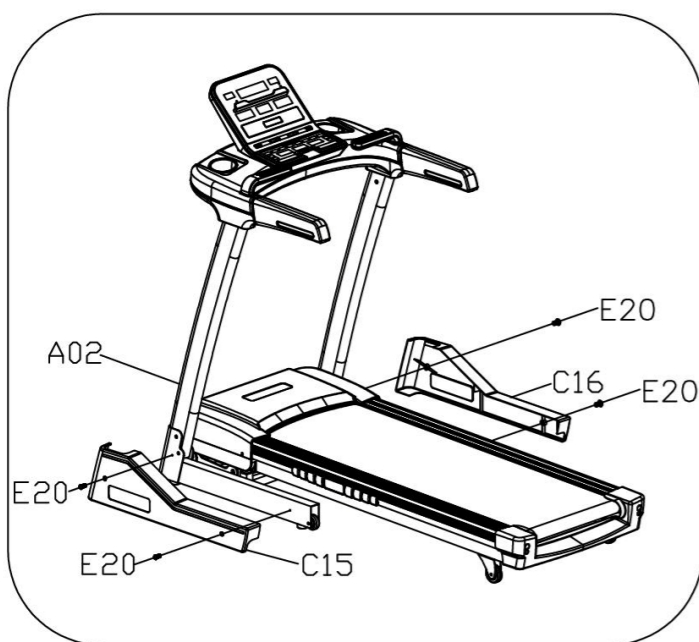
5



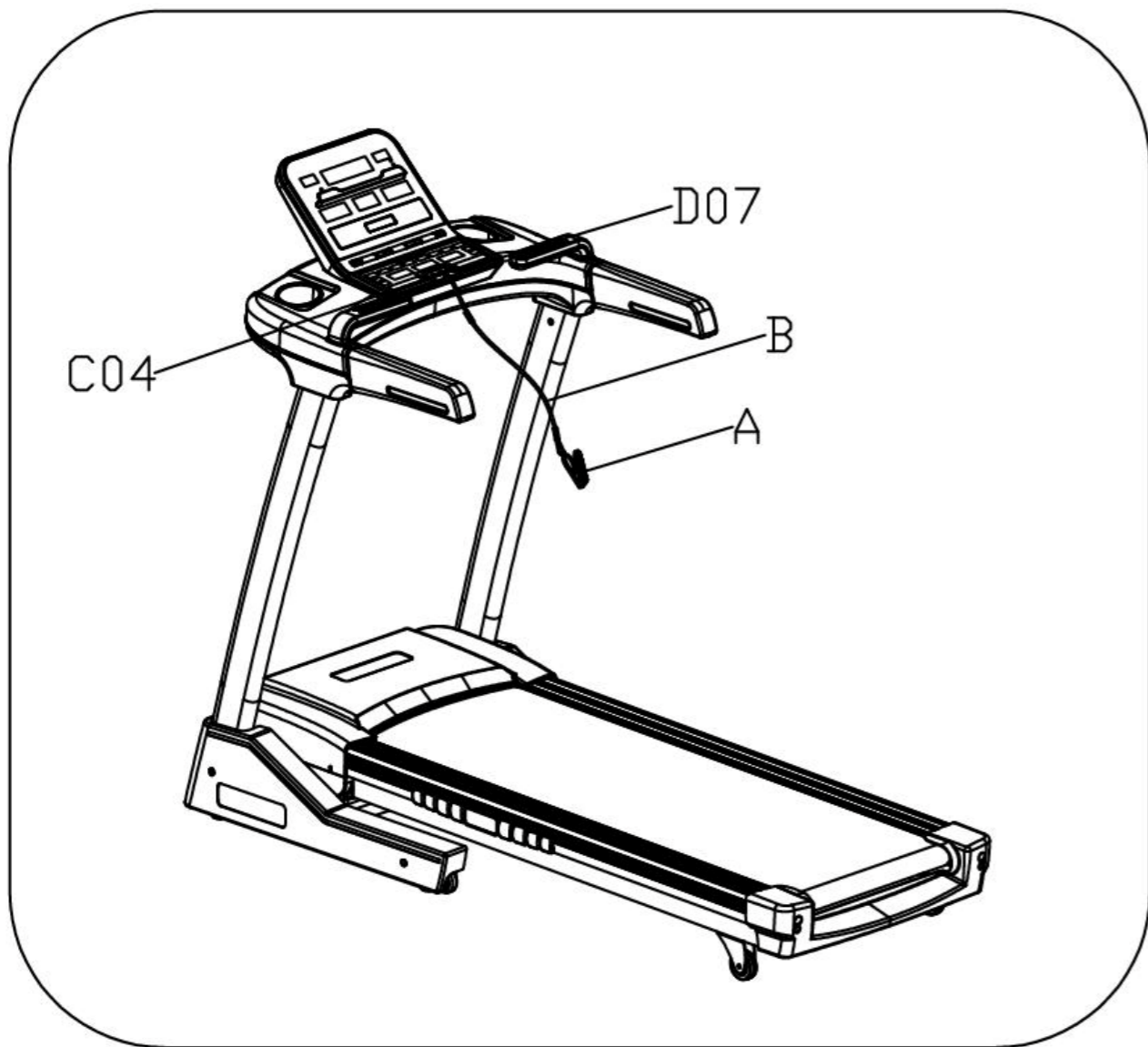
FOLDING INSTRUCTIONS



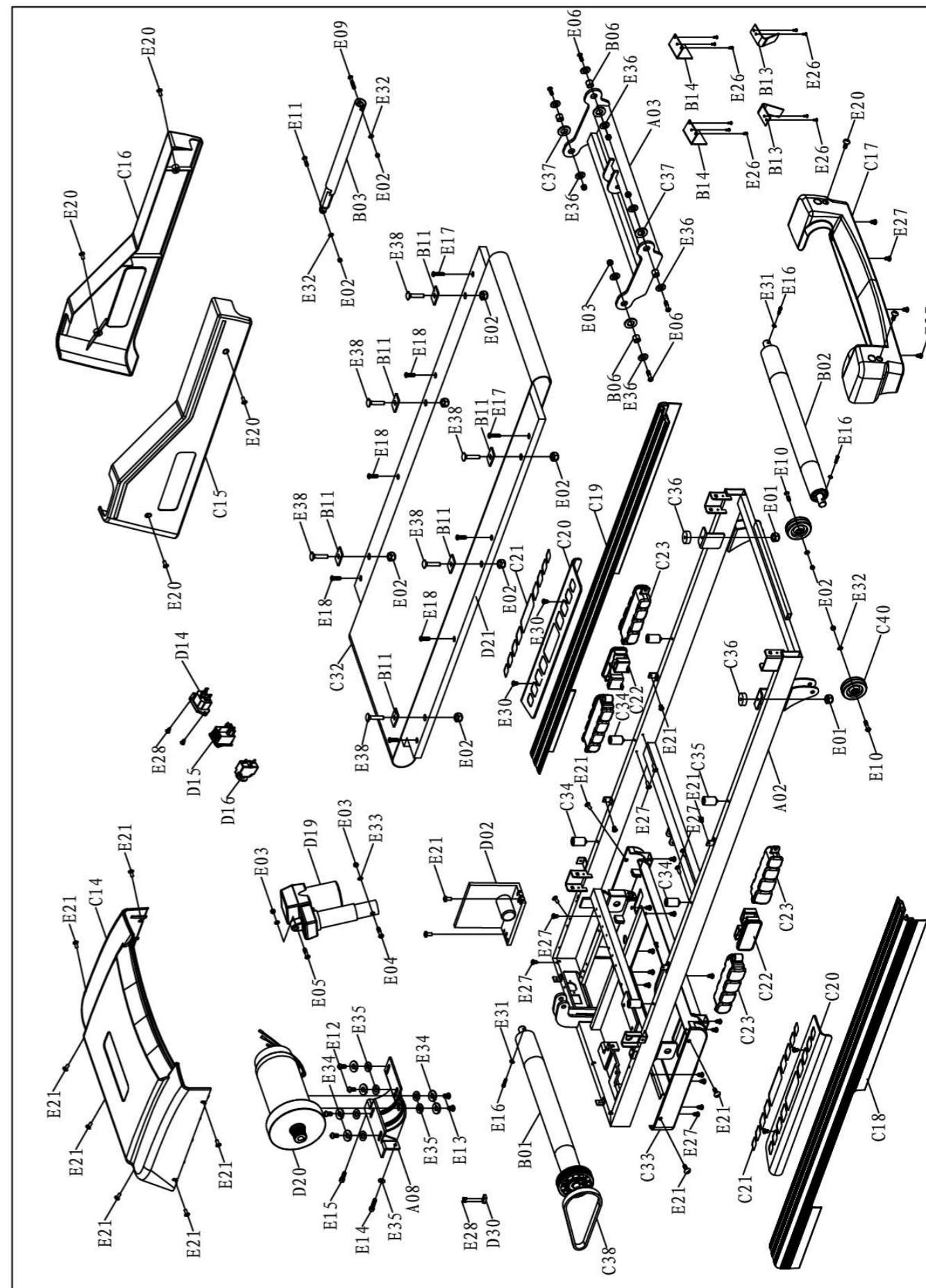
6

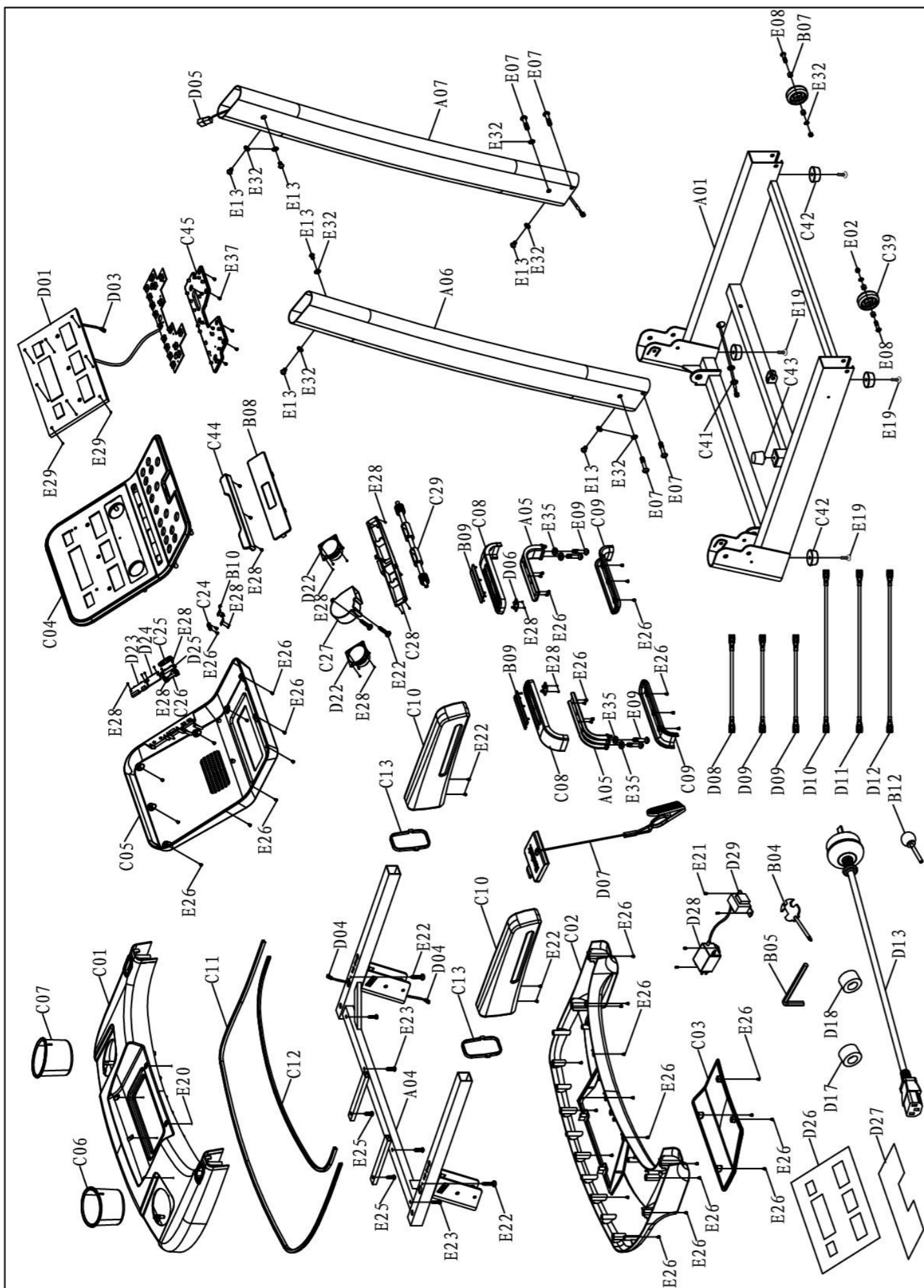


HOW TO USE SAFETY KEY



EXPLODED DRAWING





No.	Part description	Qty
A01	base frame	1
A02	main frame	1
A03	incline bracket	1
A04	console bracket	1
A05	pulse bracket	2
A06	left upright tube	1
A07	right upright tube	1
A08	motor bracket	1
B01	front roller	1
B02	back roller	1
B03	cylinder	1
B04	cross wrench with screw driver	1
B05	5# Allen wrench	1
B06	bushing	4
B07	transport wheel bushing	4
B08	speaker net	1
B09	pulse steel plate	4
B10	spring plate	2
B11	side rail pressing sheet	6
B12	locking pin	1
B13	belt hook	2
B14	hide board	2
C01	console top cover	1
C02	console bottom cover	1
C03	console back cover	1
C04	console panel	1
C05	console panel bottom cover	1
C06	left water bottle	1
C07	right water bottle	1
C08	pulse top cover	2
C09	pulse bottom cover	2
C10	handle bar	2
C11	decoration strip i	1
C12	decoration strip ii	1
C13	handle bar decoration ring	2
C14	motor top cover	1
C15	left upright tube cover	1
C16	right upright tube cover	1
C17	back end cover	1
C18	left side rail	1
C19	right side rail	1
C20	anti-slip pad	2
C21	sticker of anti-slip pad	2

No.	Part description	Qty
C22	cushion	2
C23	air cushion	4
C24	safety key base	1
C25	volume control button	1
C26	base of volume control button	1
C27	fan	1
C28	fan guide	1
C29	fan axis	1
C30		
C31		
C32	running belt	1
C33	motor bottom cover	1
C34	black cushion	4
C35	blue cushion	2
C36	blue cushion	2
C37	plastic pad	4
C38	motor belt	1
C39	transport wheel	2
C40	adjustable wheel	2
C41	ring-shape wire plug	2
C42	flat foot pad	4
C43	cone-shape cushion	1
C44	plastic holder	1
C45	button board	1
D01	computer board	1
D02	control board	1
D03	top signal wire	1
D04	middle signal wire	1
D05	bottom signal wire	1
D06	pulse button	2
D07	safety key	1
D08	AC single wire	1
D09	AC single wire	2
D10	AC single wire	1
D11	AC single wire	1
D12	grounding wire	1
D13	power wire	1
D14	power socket	1
D15	on-off button	1
D16	overload protector	1
D17	magnet ring	1
D18	magnet core	1
D19	incline motor	1
D20	DC motor	1
D21	running board	1

No.	Part description	Qty
D22	speaker	2
D23	audio board	1
D24	USB board	1
D25	volume control board	1
D26	console panel sticker	1
D27	function button sticker	1
D28	filter	1
D29	inductance	1
D30	speed sensor	1
E01	nut	2
E02	nut	12
E03	nut	6
E04	bolt	1
E05	bolt	1
E06	bolt	4
E07	bolt	4
E08	bolt	2
E09	bolt	5
E10	bolt	2
E11	bolt	1
E12	bolt	4
E13	bolt	8
E14	bolt	1
E15	bolt	1
E16	bolt	3
E17	bolt	2
E18	bolt	6
E19	bolt	4
E20	bolt	11
E21	bolt	21
E22	screw	8
E23	screw	4
E24		
E25	screw	2
E26	screw	54
E27	screw	23
E28	screw	35
E29	screw	8
E30	screw	4
E31	washer	3
E32	washer	14
E33	washer	2
E34	spring washer	6
E35	flat washer	11
E36	big washer	8
E37	screw	7
E38	bolt	6