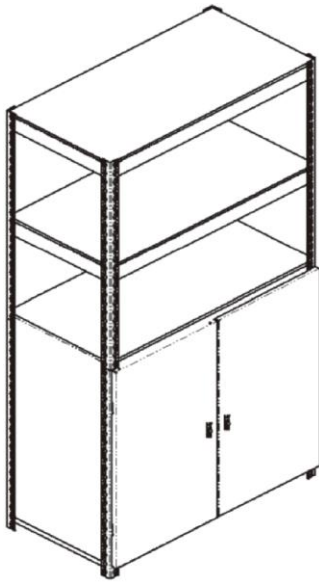


SH-500 CABINET



WARNING

- This unit should be placed on a level surface. Failure to do so can result in poor product performance or create a possible safety hazard.
- This unit should be securely anchored to a wall or floor with suitable fasteners that are included.
- Do not use this unit for anything other than its intended purpose.
- Do not stand on any part of the unit or use it as a ladder.
- Evenly distribute the weight on each level and always keep the heavier loads on the bottom shelf.
- Use care when working with metal parts.

General Instructions

Assembly is done with the rivets of the beams and braces fitting into the slots of the post. A rubber mallet may be used on the beams and braces to seat the rivet properly.

NOTE: Part list and images are a guide only. Parts vary depending on the set purchased.

Qty	Description	Part #
10	Beams (892mm)	SU4K1
10	Braces(435mm)	SU4K2
8	Post (91mm)	SU4K3
2	Side Panels (441 x 864mm)	SU4K4
1	Back Left Panel (441 x 864mm)	SU4K5
1	Back Right Panel (441 x 864mm)	SU4K6
1	Left door (w/handle) (448 x 854mm)	SU4K7
1	Right door (w/handle) (448 x 854mm)	SU4K8
5	Laminate Shelves (445 x 902mm)	SU4K9
4	Nuts, Bolts	n/a

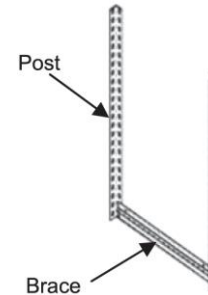
A hammer can also be used, providing one uses a cloth or a block of wood between the hammer head and the parts to prevent damage. Tap gently and be sure the rivets are straight and fully engaged.

Required Tools

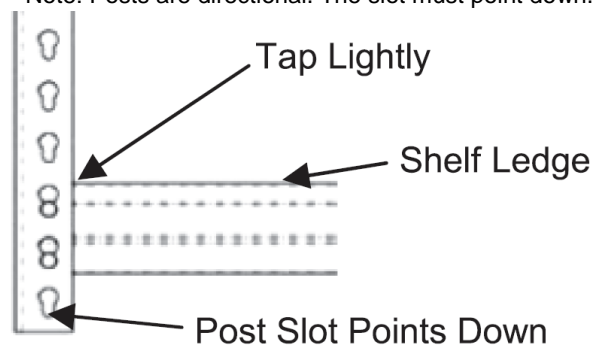
- Rubber mallet
- Phillips screwdriver
- Wrench

Assembly Instructions

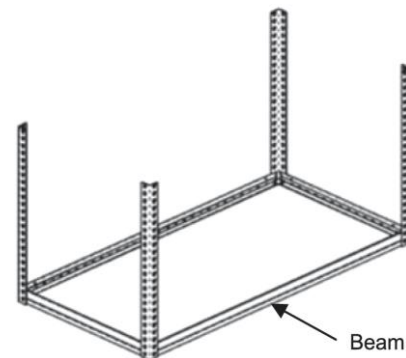
1. Assemble two posts with one brace, skipping one slot from the bottom of the post.



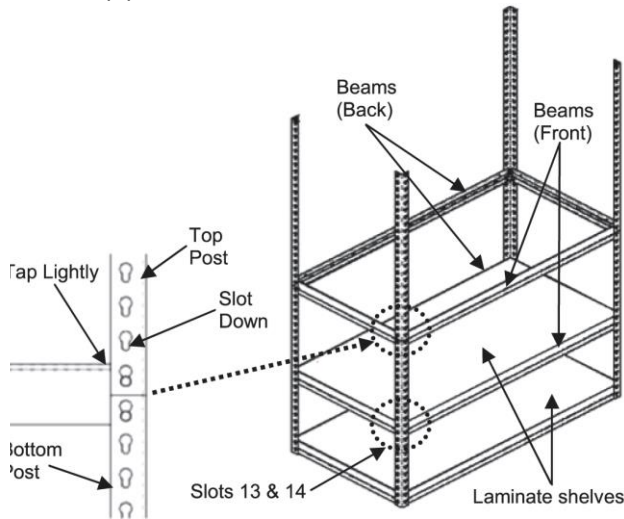
2. Place the rivets into post with the slot pointing down and with the shelf ledge of the brace facing up. Tap lightly to seat rivets.
Note: Posts are directional. The slot must point down.



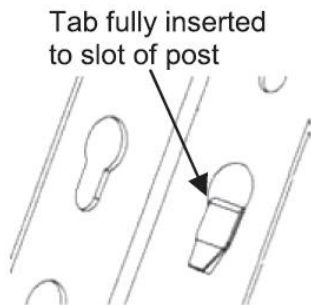
3. Repeat with two posts and one brace.
4. Assemble the two post units with two beams. Skip one hole from the bottom of the post and tap lightly to seat rivets.



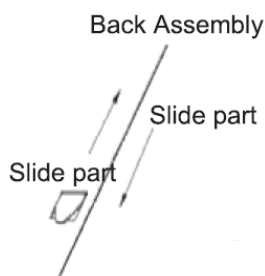
- Start by adding a laminate shelf to the level previously built, then continue working by adding the second level using two beams and two braces in the post slots 13 and 14 counting up from the bottom.
- Again place the rivets of the beams and braces into the post slots with the shelf ledge facing up and tap lightly to seat the rivets.
- Add a laminate shelf to the previously built level; then assemble the top post to the bottom post by using two beams and two braces.
- One rivet from each beam and brace must be placed in the top hole of the bottom post and the bottom hole of the top post.



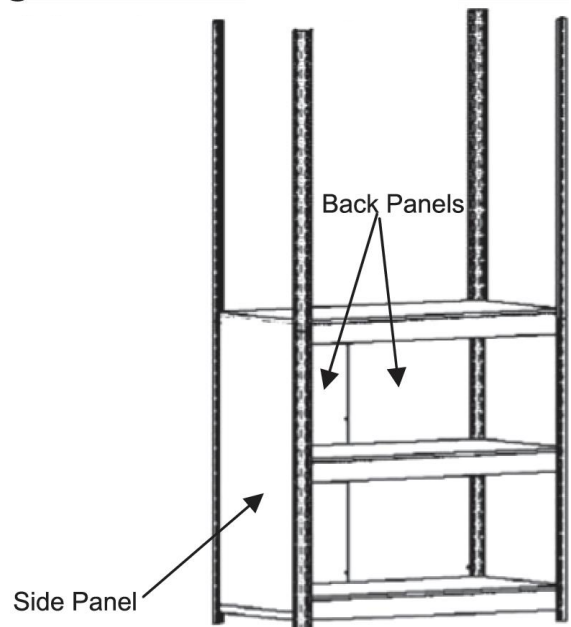
- Add the side panels to the sides of the unit by inserting the tabs of the panels into the slots of the post.
- Push the panels down so the tabs fully engage into the post slots.



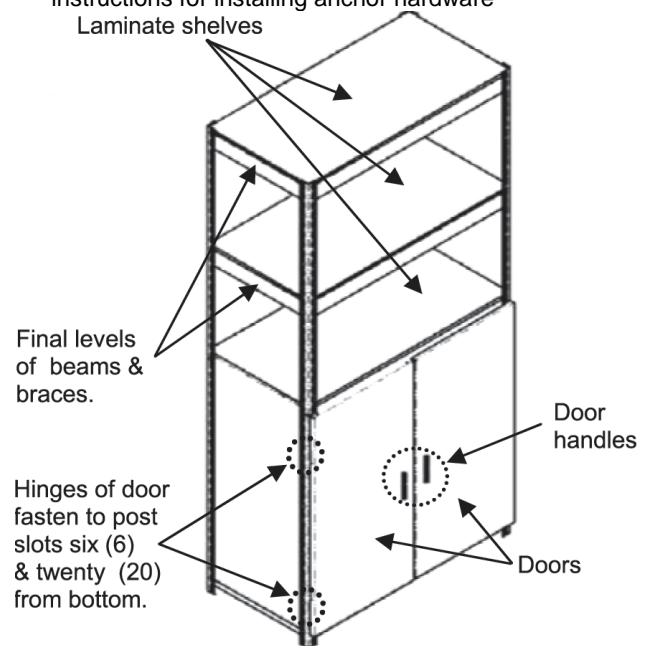
- Assemble the back panels together by inserting the tabs from one panel into the slot holes of the other so that the two panels overlap and lock together.



- Install the back panels to the unit by following the same procedure for the side panels.



- Add a laminate shelf to the level previously built. Using the last of the beams and braces, add the final two levels to the unit.
- Add laminate shelves to the levels built, then align hinges of the doors to slots number six and twenty from the bottom.
- Fasten hinges to the post using one per bolt / nut provided.
- Optional anchor hardware is supplied with this unit so the unit can be fastened to a wall if necessary. See instructions for installing anchor hardware



IMPORTANT

Make sure all rivets are seated properly into the post slots.

WARRANTY

AUSTRALIAN CONSUMER LAW

Many of our products come with a guarantee or warranty from the manufacturer. In addition, they come with guarantees that cannot be excluded under the Australian Consumer Law. You are entitled to a replacement or refund for a major failure and compensation for any other reasonably foreseeable loss or damage.

You are entitled to have the goods repaired or replaced if the goods fail to be of acceptable quality and the failure does not amount to a major failure. Full details of your consumer rights may be found at www.consumerlaw.gov.au

Warranty and Support:

Please email us at support@lifespanfitness.com.au for all warranty or support issues.

For all warranty or support related enquiries an email must be sent before contacting us via other means.