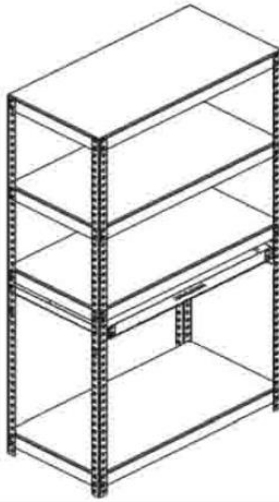


SH-500 SLIM DRAWER



WARNING

- This unit should be placed on a level surface. Failure to do so can result in poor product performance or create a possible safety hazard.
- This unit should be securely anchored to a wall or floor with suitable fasteners that are included.
- Do not use this unit for anything other than its intended purpose.
- Do not stand on any part of the unit or use it as a ladder.
- Evenly distribute the weight on each level and always keep the heavier loads on the bottom shelf.
- Use care when working with metal parts.

General Instructions

Assembly is done with the rivets of the beams and braces fitting into the slots of the post. A rubber mallet may be used on the beams and braces to seat the rivet properly. A hammer can also be used, providing one uses a cloth or a block of wood between the hammer head and the parts to prevent damage. Tap gently and be sure the rivets are straight and fully engaged.

NOTE: Part list and images are a guide only. Parts vary depending on the set purchased.

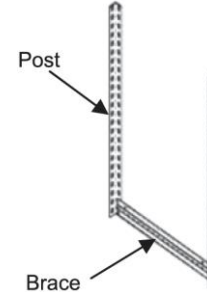
Qty	Description	Part #
8	Beams(892mm)	SU4K1
8	Braces (435mm)	SU4K2
8	Post (91mm)	SU4K3
1	Left Drawer Mount	SU4K19
1	Right Drawer Mount	SU4K20
1	Left Drawer Slide	SU4K21
1	Right Drawer Slide	SU4K22
1	Front Drawer Brace (787mm)	SU4K23
1	Back Drawer Brace (787mm)	SU4K24
4	Laminate Shelves (445 x 902mm)	SU4K10
1	Laminate Drawer Shelf (279 x 787mm)	SU4K26
1	Handle	SU4K28

Required Tools

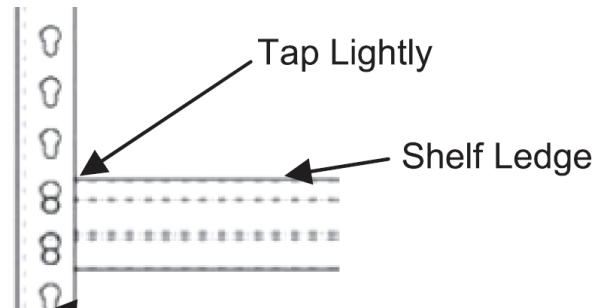
- Rubber mallet
- Wrench

Assembly Instructions

1. Assemble two posts with one brace, skipping one slot from the bottom of the post. Note: Posts are directional. The slot must point down.

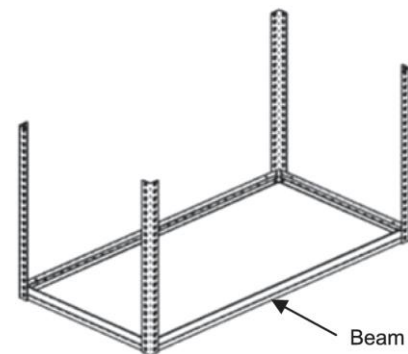


2. Place the rivets into post with the slot pointing down and with the shelf ledge of the brace facing up. Tap lightly to seat rivets.



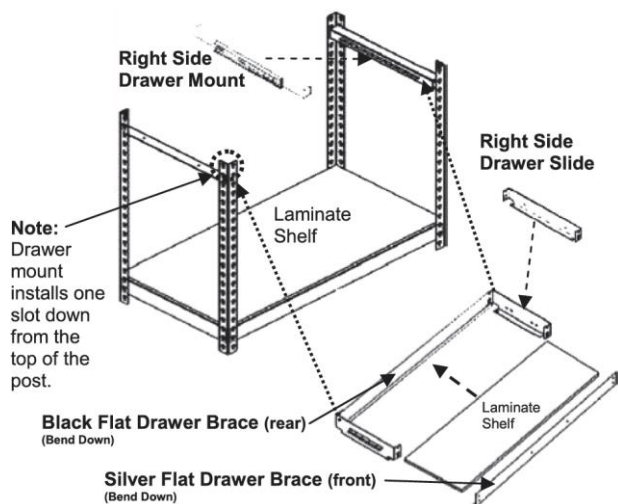
Post Slot Points Down

3. Repeat with two posts and one brace.
4. Assemble the two post units with two beams. Skip one hole from the bottom of the post and tap lightly to seat rivets.

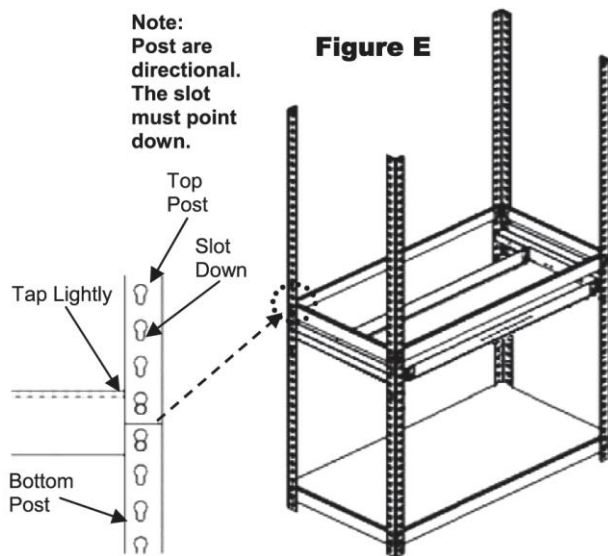


5. After level is complete, add a laminate shelf.
6. Take two drawer mounts and insert the rivets, skipping two slot holes down from the top of the post on both sides of the unit.
7. Take two drawer slides as well as one silver and one black 787mm flat drawer braces. With the bend facing down, insert the rivets of the black brace into the slot and half slot holes located on the back end of the drawer slides.

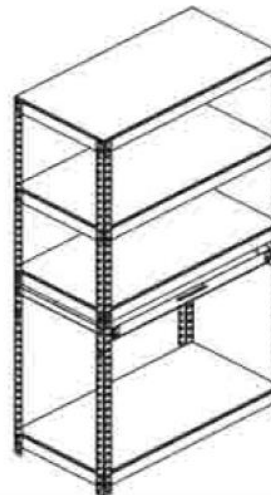
- Insert the laminated shelf, and install the silver front drawer brace to the front of the drawer slides. Install the drawer assembly to the drawer mounts slides of the unit.



- Assemble the top post to the bottom post by using two beams and two braces. Note: Posts are directional. The slot must point down.



- One rivet from each beam and brace must be placed in the top slot hole of the bottom post, and the bottom slot hole of the top post. After all beams and braces are in place, tap lightly to properly seat the rivets.



- Add a laminate shelf to the previously built level, and then continue by adding the third and fourth level to the unit using two beams and two braces per level.
- Tap lightly to properly seat the rivets and add the final laminate shelves and the handles to the drawers to finalize the assembly of the unit.
- Optional anchor hardware is supplied with this unit so the unit can be fastened to a wall if necessary. See instructions for installing anchor hardware.

IMPORTANT

Make sure all rivets are seated properly into the post slots.

WARRANTY

AUSTRALIAN CONSUMER LAW
Many of our products come with a guarantee or warranty from the manufacturer. In addition, they come with guarantees that cannot be excluded under the Australian Consumer Law. You are entitled to a replacement or refund for a major failure and compensation for any other reasonably foreseeable loss or damage.

You are entitled to have the goods repaired or replaced if the goods fail to be of acceptable quality and the failure does not amount to a major failure. Full details of your consumer rights may be found at www.consumerlaw.gov.au

Warranty and Support:
 Please email us at support@lifespanfitness.com.au for all warranty or support issues.

For all warranty or support related enquiries an email must be sent before contacting us via other means.