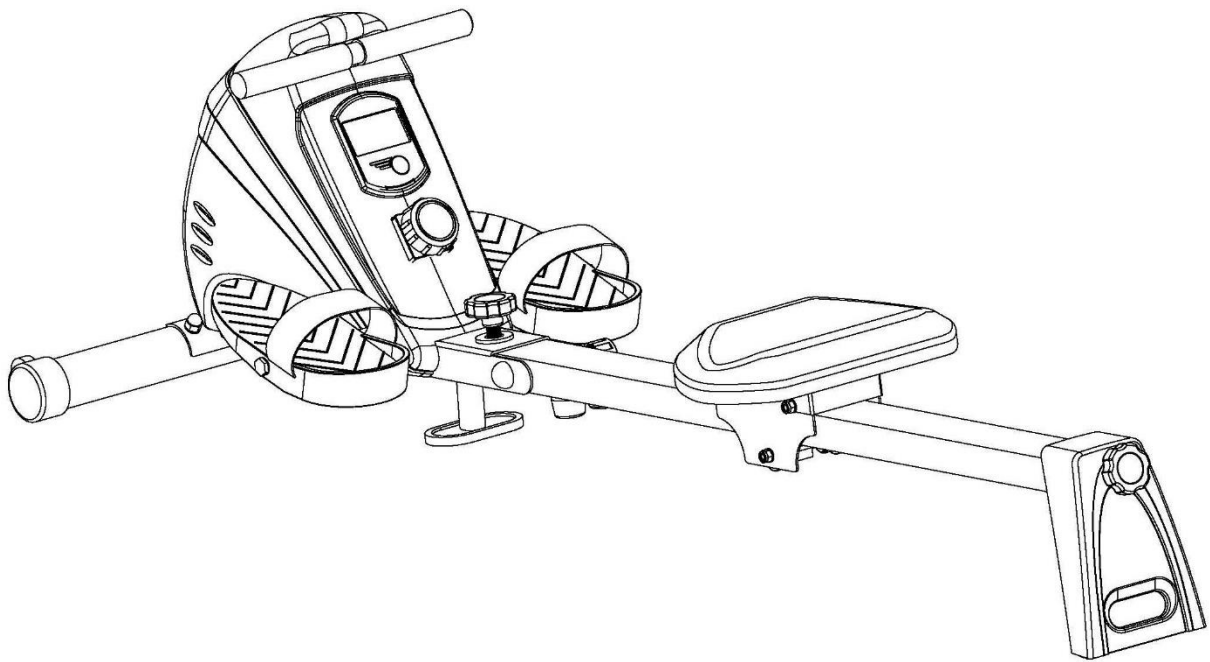


ROWER-441 OWNER'S MANUAL



Product may vary slightly from the item pictured due to model upgrades

Read all instructions carefully before using this product. Retain this owner's manual for future reference.

TABLE OF CONTENTS

1.	IMPORTANT SAFETY INSTRUCTIONS_____	3
2.	CARE INSTRUCTIONS_____	4
3.	ASSEMBLY INSTRUCTIONS_____	5
4.	DISPLAY MANUAL_____	10
5.	EXERCISE GUIDE_____	11
6.	EXPLODED DIAGRAM_____	13
7.	PARTS LIST_____	14
8.	WARRANTY_____	15

1. IMPORTANT SAFETY INSTRUCTIONS

WARNING - Read all instructions before using this machine.

It is important your machine receives regular maintenance to prolong its useful life. Failing to regularly maintain your machine may void your warranty.

Please keep this manual with you at all times

- a. It is important to read this entire manual before assembling and using the equipment. Safe and effective use can only be achieved if the equipment is assembled, maintained and used properly. Please note: It is your responsibility to ensure that all users of the equipment are informed of all warnings and precautions.
- b. Before starting any exercise program you should consult your doctor to determine if you have any medical or physical conditions that could put your health and safety at risk, or prevent you from using the equipment properly. Your doctor's advice is essential if you are taking medication that affects your heart rate, blood pressure or cholesterol level.
- c. Be aware of your body's signals. Incorrect or excessive exercise can damage your health. Stop exercising if you experience any of the following symptoms: pain, tightness in your chest, irregular heartbeat, and extreme shortness of breath, lightheadedness, dizziness or feelings of nausea. If you do experience any of these symptoms, you should consult your doctor before continuing with your exercise program.
- d. Keep children and pets away from the equipment. This equipment is designed for adult use only.
- e. Use the equipment on a solid, flat level surface with a protective cover for your floor or carpet. To ensure safety, the equipment should have at least 2 meters of free space around it.
- f. Before using the equipment, check that the nuts and bolts are securely tightened. If you hear any unusual noises coming from the equipment during use and assembly, stop immediately. Do not use the equipment until the problem has been rectified.

- g. Wear suitable clothing while using the equipment. Avoid wearing loose clothing that may get caught in the equipment or that may restrict or prevent movement.
- h. This equipment is designed for indoor and family use only
- i. Care must be taken when lifting or moving the equipment so as not to injure your back.
- j. Always keep this instruction manual and assembly tools at hand for reference.
- k. The equipment is not suitable for therapeutic use.
- l. The pulse or heart rate sensors are not medical devices. Various factors, including the user's movement, may affect the accuracy of heart rate readings. The pulse sensors are intended only as exercise aids in determining heart rate trends in general.

2. CARE INSTRUCTIONS

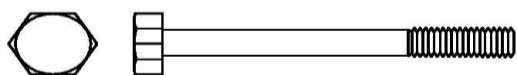
- a. Lubricate moving joints with grease after periods of usage
- b. Be careful not to damage plastic or metal parts of the machine with heavy or sharp objects
- c. The machine can be kept clean by wiping it down using dry cloth
- d. All nuts and bolts are to be checked and tightened on a regular basis. This includes pedals and other moving parts. Failure to do so may cause damage to your thread and void your warranty.

Battery Usage

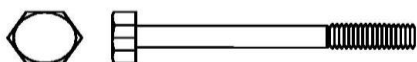
- a. Batteries are to be installed or replaced by adult only
- b. Do not use rechargeable batteries. Do not mix different battery types. Do not mix old and new batteries. Do not mix alkaline, standard (Carbon-Zinc), or rechargeable (Nickel-Cadmium) batteries
- c. Remove batteries when product is not in use
- d. Remove exhausted batteries from product and dispose of in accordance with the manufacturer's recommendation
- e. Do not attempt to recharge non-rechargeable batteries
- f. Batteries are to be inserted with correct polarity
- g. The supply terminals are not to be short-circuited
- h. Do not dispose of batteries in fire, batteries may explode or leak



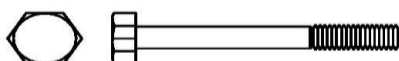
3. ASSEMBLY INSTRUCTIONS



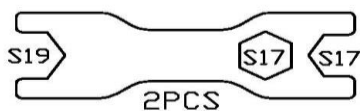
#12 M12X155 2PCS



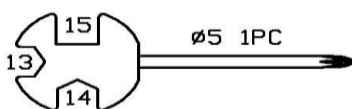
#14 M10X100 1PC



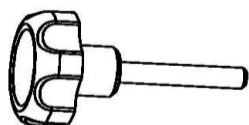
#25 M10X95 1PC



2PCS



ø5 1PC



#2 M10X25 1PC



#10 D13 2PCS



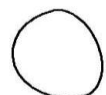
#8 D10X2 4PCS



#35 D10X2.5 1PC



#9 M10 2PCS



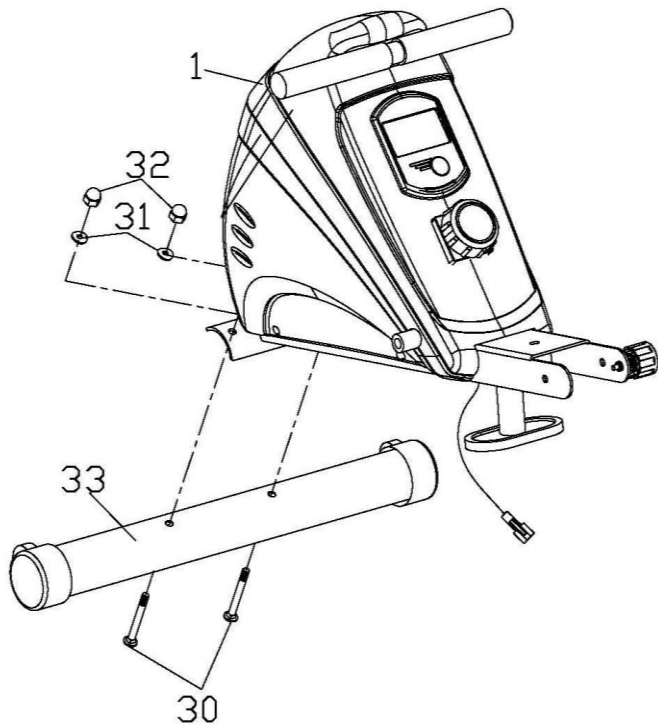
#70 S17 2PCS



#15 M16X1.5 1PC

PART #	DESCRIPTION	QUANTITY
12	Bolt M2X155	2
14	Bolt M10X100	1
25	Bolt M10X95	1
2	Knob M10X25	1
10	Washer D13	2
8	Washer D10X2	4
35	Washer D10X2.5	1
9	Nut M10	2
70	Cap S17	2
15	Knob M16X1.5	1
	Wrench(S17、S19)	2
	Wrench (13、14、15、 ø5)	1

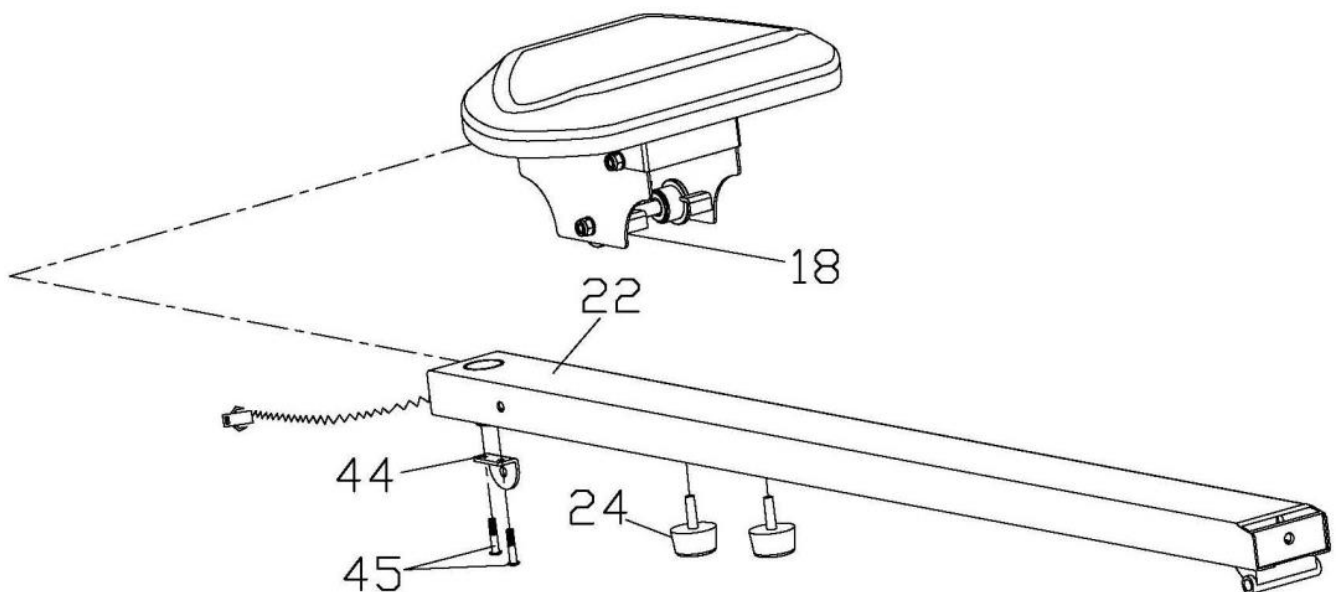
STEP 1:



1. Attach the row handle to the row cord.
Please do this before removing the wooden plank.
2. Attach the front bottom tube (33) to the mainframe (1) with carriage bolt (30), arc washer (31), and cap nut (32).

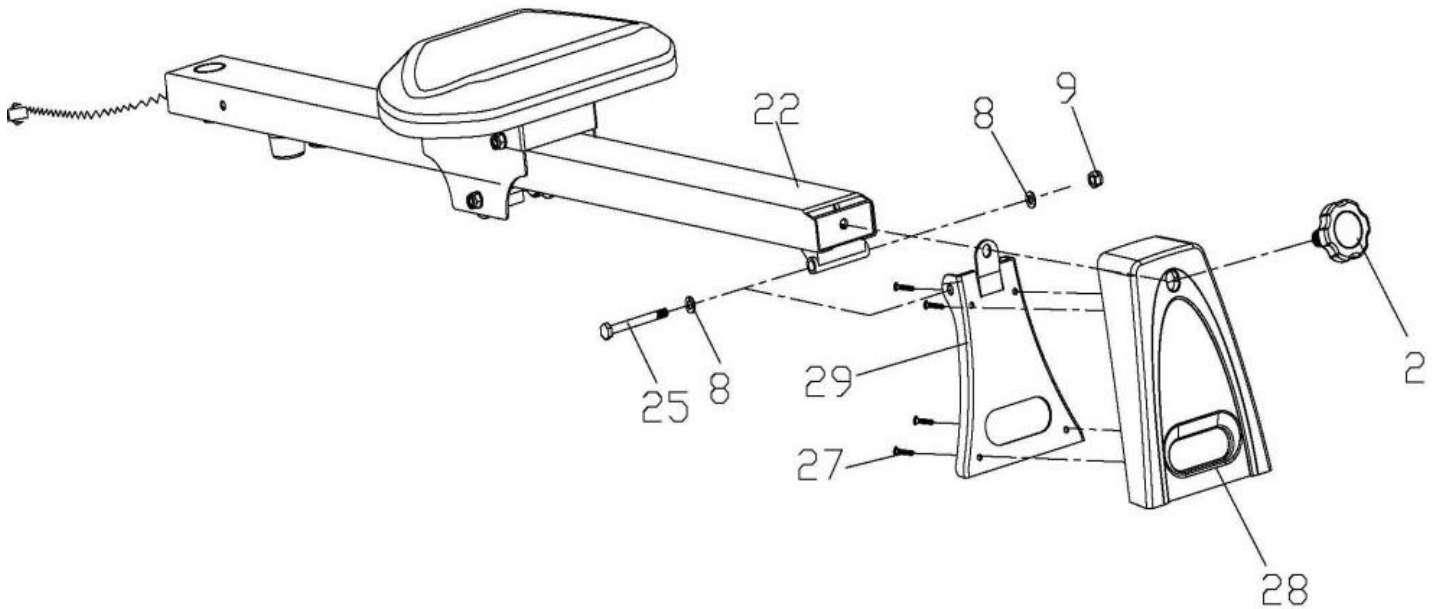
STEP 2:

1. Take off the cushion (24), screw (45), plate (44), then insert the slide rest (18) onto the slide way (22). Then tighten the cushion (24) to the slide way (22).
2. Tighten the plate (44) to the slide way (22) with screw (45).



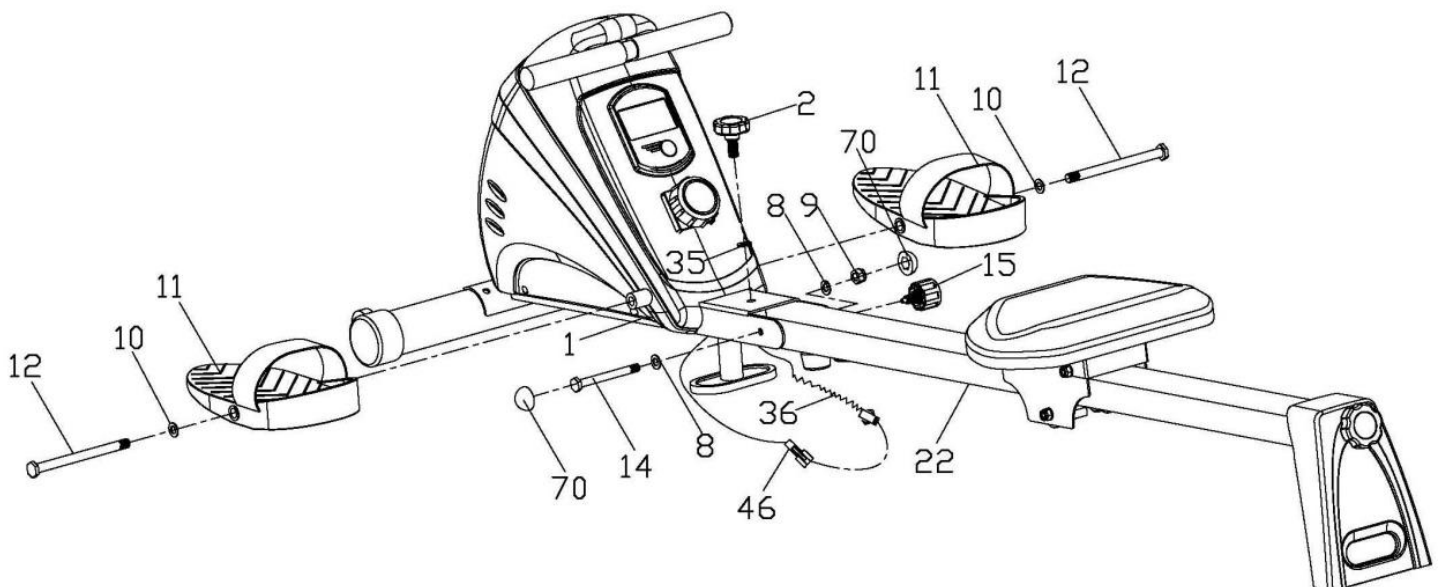
STEP 3:

1. Tighten the stand rail (29) to the slide way (22) with Hexagon bolt (25), flat washer (8) and nylon nut (9). Tighten the protective guard (28) to the stand rail (29) with knob (2) and screw (27).



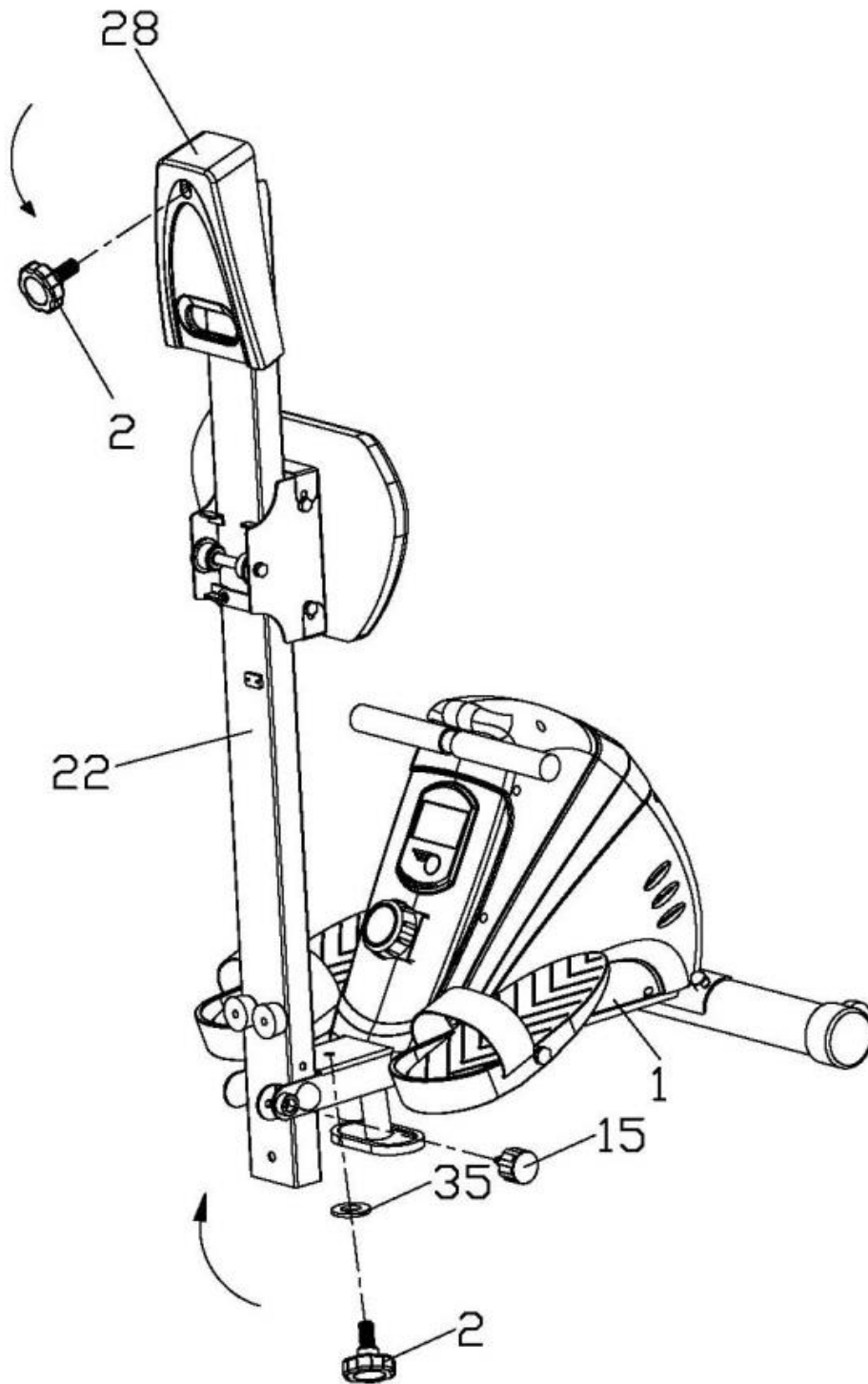
STEP 4:

1. Connect the connection wire (46) to the sensor wire (36), then tighten the slide way (22) to the mainframe (1) with hexagon bolt (14), knob (2), knob (15), flat washer (35), flat washer (8), nylon nut (9) and put the plastic cap (70) at last.
2. Tighten the pedal (11) to the mainframe (1) with bolt (12), flat washer (10). When folding it, take off the knob (15) and fold the slide way (22).



STEP 5:

1. The Rowing machine could be folded if not in use
2. Unscrew the knob (15), and the knob (2) and flat washer (35).
3. Fold the slide way (22) and protective guard (28) as shown by the diagram. Fix the mainframe (1) to the protective guard (28) with knob (2) and flat washer (35).



STORAGE AND MAINTENANCE

1. Keep the rowing machine in a clean dry place.
2. Grasp the frame to move the rowing machine. Do not use the seat to move it. The seat will move and it may hurt your hand and fingers.
3. Remove the battery before storing the machine for a long time.
4. Clean the Seat Rail with an absorbent cloth.
5. Always make sure all the nuts and bolts are properly tightened.
6. Regular inspection is required. Replace any worn or damaged parts immediately.

4. DISPLAY MANUAL

FUNCTIONAL BUTTON:

MODE - Push down to select functions.

- Push down and hold for 2 seconds to reset all functional values.

FUNCTIONS AND OPERATIONS

1. **SCAN:** When in CYCLE position, the meter will rotate through the following functions: TIME, COUNT, TOTAL COUNT, CALORIE, and COUNT/MIN. Each display will appear for 6 seconds.
2. **TIME:** Count the rowing time from exercise start to end.
3. **COUNT:** Total rowing strokes for the workout.
4. **TOTAL COUNT:** Total rowing strokes of all time.
5. **CALORIE:** Total calories for the workout.
6. **COUNT/MIN:** Display current rowing strokes per minute, or the frequency per minute.
7. **AUTO ON/OFF & AUTO START/STOP:**

Without any signal for 4 minutes, the power will turn off automatically. When the stroke is in motion or pressing the button, the monitor is in action.

SPECIFICATIONS:

FUNCTION	AUTO CYCLE	Every 6 seconds
	TIME	0:00~99:59(minute : second)
	COUNT	0~9999
	TOTAL COUNT	0~9999
	COUNT/MIN	0~1200
	CALORIE	0.0~999.CAL
BATTERY TYPE		2pcs of SIZE-AA or UM-3
OPERATING TEMPERATURE		0°C~+40°C(32°F~104°F)
STORAGE TEMPERATURE		-10°C~+60°C(14°F~168°F)

5. EXERCISE GUIDE

PLEASE NOTE: Before beginning any exercise program, consult your physician. This is important especially if you are over the age of 45 or individuals with pre-existing health problems.

The pulse sensors are not medical devices. Various factors, including the user's movement, may affect the accuracy of heart rate readings. The pulse sensors are intended only as an exercise aid in determining heart rate trends in general.

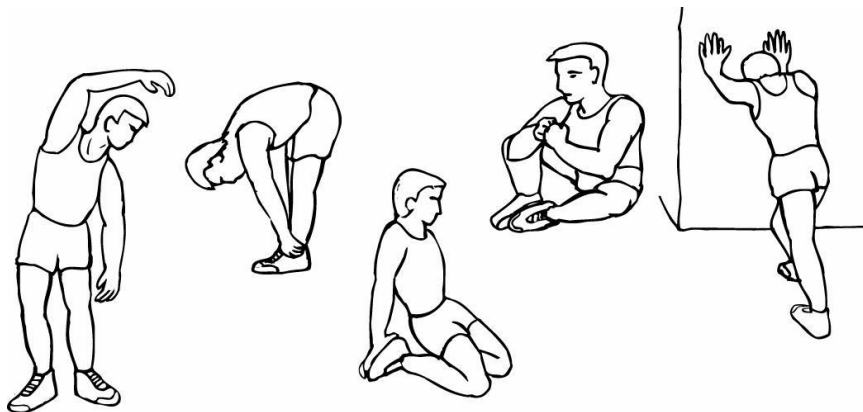
Exercising is great way to control your weight, improving your fitness and reduce the effect of aging and stress. The key to success is to make exercise a regular and enjoyable part of your everyday life.

The condition of your heart and lungs and how efficient they are in delivering oxygen via your blood to your muscles is an important factor to your fitness. Your muscles use this oxygen to provide enough energy for daily activity. This is called aerobic activity. When you are fit, your heart will not have to work so hard. It will pump a lot fewer times per minute, reducing the wear and tear of your heart.

So as you can see, the fitter you are, the healthier and greater you will feel.

Warm-up

Start each workout with 5 to 10 minutes of stretching and some light exercises. A proper warm-up increases your body temperature, heart rate and circulation in preparation for exercise. Ease into your exercise.



Training Zone Exercise

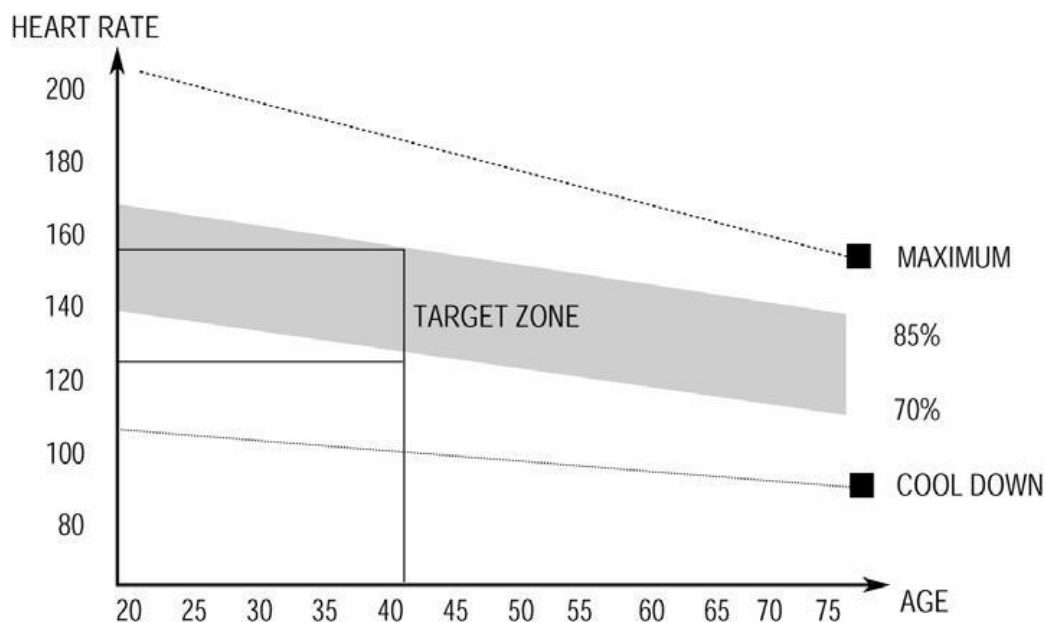
After warming up, increase the intensity to your desired exercise program. Be sure to maintain your intensity for maximum performance. Breathe regularly and deeply as you exercise.

Cool Down

Finish each workout with a light jog or walk for at least 1 minute. Then complete 5 to 10 minutes of stretching to cool down. This will increase the flexibility of your muscles and will help prevent post-exercise problems.

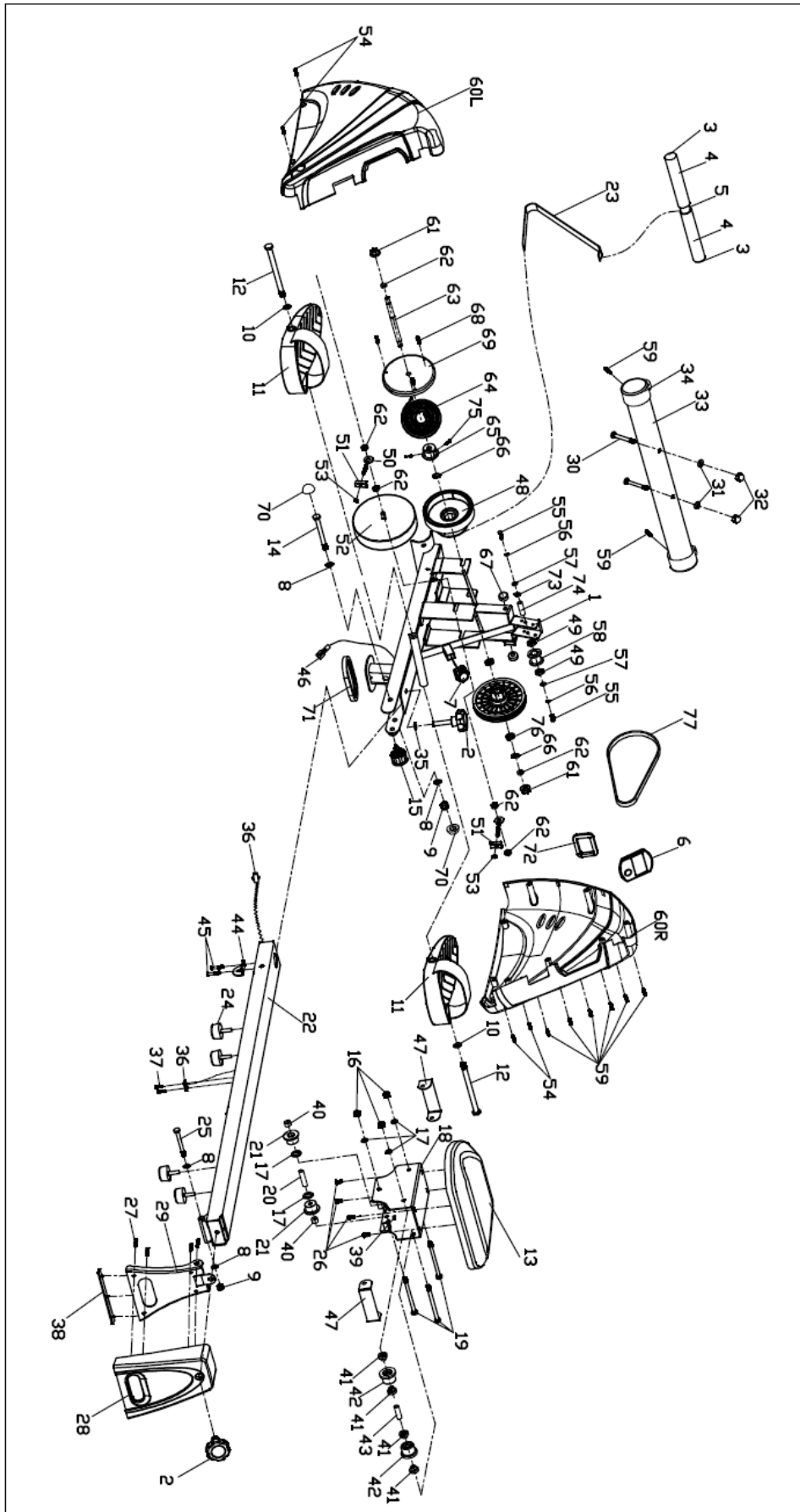
Workout Guidelines

TARGET ZONE



This is how your pulse should behave during general fitness exercise. Remember to warm up and cool down for a few minutes.

6. EXPLODED DIAGRAM



7. PARTS LIST

NO.	Description	QTY	NO.	Description	QTY
1	Mainframe	1	40	Steel bushing	2
2	Knob M10*25	2	41	Bearing	8
3	End cap	2	42	PU wheel	4
4	Foam grip	2	43	Sleeve 1	2
5	Handlebar	1	44	Plate	1
6	Computer	1	45	Screw M6*20	2
7	Tension control	1	46	Connection wire	1
8	Flat washer D10×2.0×φ20	4	47	Sensor	2
9	Nylon nut M10	2	48	Rotary plate	1
10	Flat washer D13×2.0×φ26	2	49	Bearing 6000	2
11	Pedal	2	50	Adjustable knob	2
12	Bolt M12×155×16	2	51	Adjustable plate	2
13	Saddle	1	52	Flywheel	1
14	Hexagon bolt M10*100	1	53	Hex nut M6	2
15	Knob M16×1.5	1	54	Screw ST4.2X18	4
16	Nylon nut M8	3	55	Hexagon bolt M6*15	2
17	Flat washer D8×1.5×φ16	5	56	Spring washer D6	2
18	Slide rest	1	57	Flat washer D6×1.0×φ12	2
19	Hexagon bolt M8*110	3	58	Pulley	1
20	Sleeve 2	1	59	Screw ST4.2X18	8
21	Wheel	2	60L/R	L/R chain cover	1 each
22	Slide way	1	61	Bolt M10*1.0	2
23	Tension belt	1	62	Hexagon bolt M10*1.0	6
24	Cushion	4	63	Flywheel axle	1
25	Hexagon bolt M10*95	1	64	Spring	1
26	Screw M6*15	4	65	Axle	1
27	Screw ST4.2*8	4	66	Axle spring washer D12	2
28	Protect guard	1	67	Cushion	2
29	Stand rail	1	68	Screw ST3.5*18	3
30	Carriage bolt M8*73	2	69	End cap	1
31	Arc washer D8×2×Φ25×R30.5	2	70	Plastic cap S17	2
32	Cap nut M8	2	71	Rubber pad	1
33	Front bottom tube	1	72	Over lay	1
34	End cap	2	73	Axle spring washers D10	2
35	Flat washer	1	74	Axle	1
36	Sensor	1	75	Hexagon bolt M8×10	2
37	Screw ST3X10	2	76	Bearing 6001	2
38	Rubber pad	1	77	Belt	1
39	Magnet	1			

8. WARRANTY

AUSTRALIAN CONSUMER LAW

Many of our products come with a guarantee or warranty from the manufacturer. In addition, they come with guarantees that cannot be excluded under the Australian Consumer Law. You are entitled to a replacement or refund for a major failure and compensation for any other reasonably foreseeable loss or damage.

You are entitled to have the goods repaired or replaced if the goods fail to be of acceptable quality and the failure does not amount to a major failure. Full details of your consumer rights may be found at www.consumerlaw.gov.au

Please visit our website to view our full warranty terms and conditions:

<http://www.lifespanfitness.com.au/warranty-repairs>

Warranty and Support:

Please email us at support@lifespanfitness.com.au for all warranty or support issues.

For all warranty or support related enquiries, an email must be sent before contacting us via other means.